

ASSEMBLING & INSTALLATION INSTRUCTIONS

The drawing shown may not exactly match the product enclosed.
However, the installation instructions do apply to this product.

- ◆ **WARNING! SHUT POWER OFF AT FUSE OR CIRCUIT BREAKER.**
- ◆ **ATTENTION! COUPER LE COURANT AU FUSIBLE OU UN DISJONCTEUR.**

ASSEMBLING THE FIXTURE (Fig.1)

1. Shut off the power at the circuit breaker box. Remove old fixture and all hardware from Junction Box. Carefully unpack your new fixture and lay out all the parts on a clear area. Take care not to lose any small parts necessary for installation.
2. Slide the electrical wires through the pipe(I)/tube(G)/ring(H) and tube(F)/(E)/(D) and canopy(A). Raise the pipe(I) and tube (G) to top coupling of lamp body(L), lock it securely with the ring(H). Raise the tube (F)/(E)/(D) to the screw pipe nipple, then by turning it clockwise until tight. Open the link(C), hooked the canopy(A) and the end loop of tube(D), close the link(C).
3. By measuring, determine correct distance hole in mounting plate, then drilled two holes(by measuring distance hole) in the ceiling at junction box at two side. Raise the plastic anchor insert the hole. Thread the two mounting screws about 1/4" into the pre-drilled holes in the mounting plate, spaced about the same distance apart as the holes in the fixture canopy(A). Attach the mounting plate to the junction box with two junction box screws and two wood screws, tighten screws securely with screwdriver. The side of the mounting plate marked "GND" must face out. **The junction box is not included.**
4. While holding the canopy(A) towards the ceiling, connect the electrical wires as Shown in Fig.2, making sure that all wire nuts are secured. You may have to wrap the connections with electrical tape. If your outlet has a ground wire (green or bare copper), connect the fixture ground wire to it. Otherwise connect fixture's ground wire directly to the Single bar with the green screw provided. After wires are connected, tuck them carefully inside the Junction Box.
5. Raise the canopy(A) on to the Junction box, aligning screws on mounting plate with mounting hole in canopy and lock it securely with the ball nuts(B). Return the lamp holder(K) to upright position, raise the candle sleeve(J) insert the lamp holder.
6. Install the light bulbs in accordance with the fixture's specifications. **NOTE: DO NOT EXCEED THE SPECIFIED WATTAGE!**

If your ceiling is flat, it can be installed in the following manner, please refer to Fig 1.1.

1. Take out the bottom loop of the canopy(A) and the end loop of tube(D), then take the canopy and big plate to the pipe nipple of the tube(D), lock it with the lock washer and hex nut until tight.
2. Attach the fixture body to the ceiling, lock it securely with the ball nut(B).

Your installation is now complete. Return power to the junction box and test the fixture.

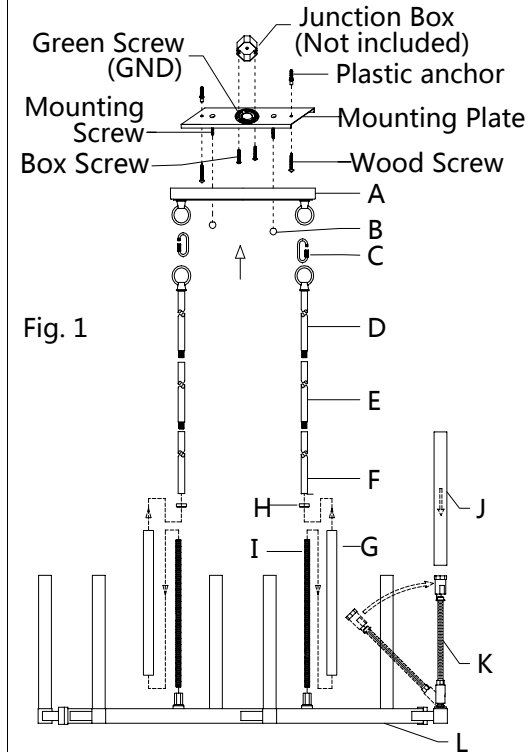


Fig. 1

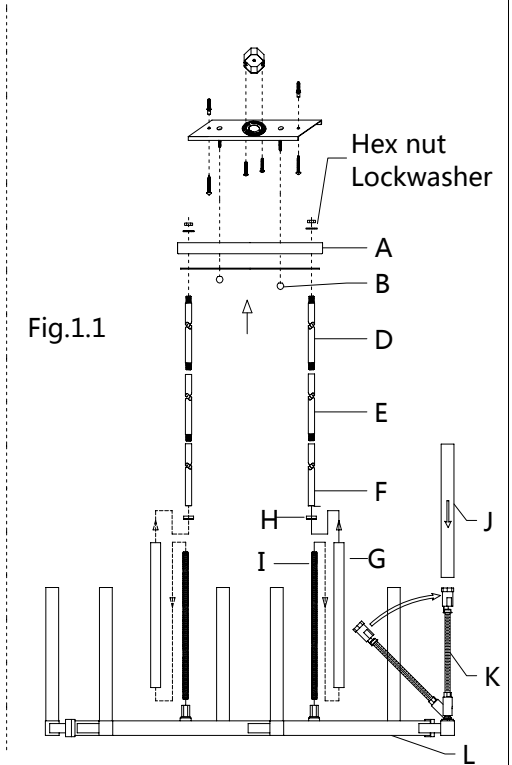


Fig.1.1

FIG.2

FIXTURE WIRES
Black or Smooth

HOUSE WIRES
Black(Hot)

FIXTURE WIRES
White or Ribbed

HOUSE WIRES
White (Neutral)

FIXTURE WIRES
Bare Copper (Ground)

HOUSE WIRES
Green or Bare Copper(Ground)

Thank you for purchasing a product.
Need assistance with parts or assembly? Please call customer service