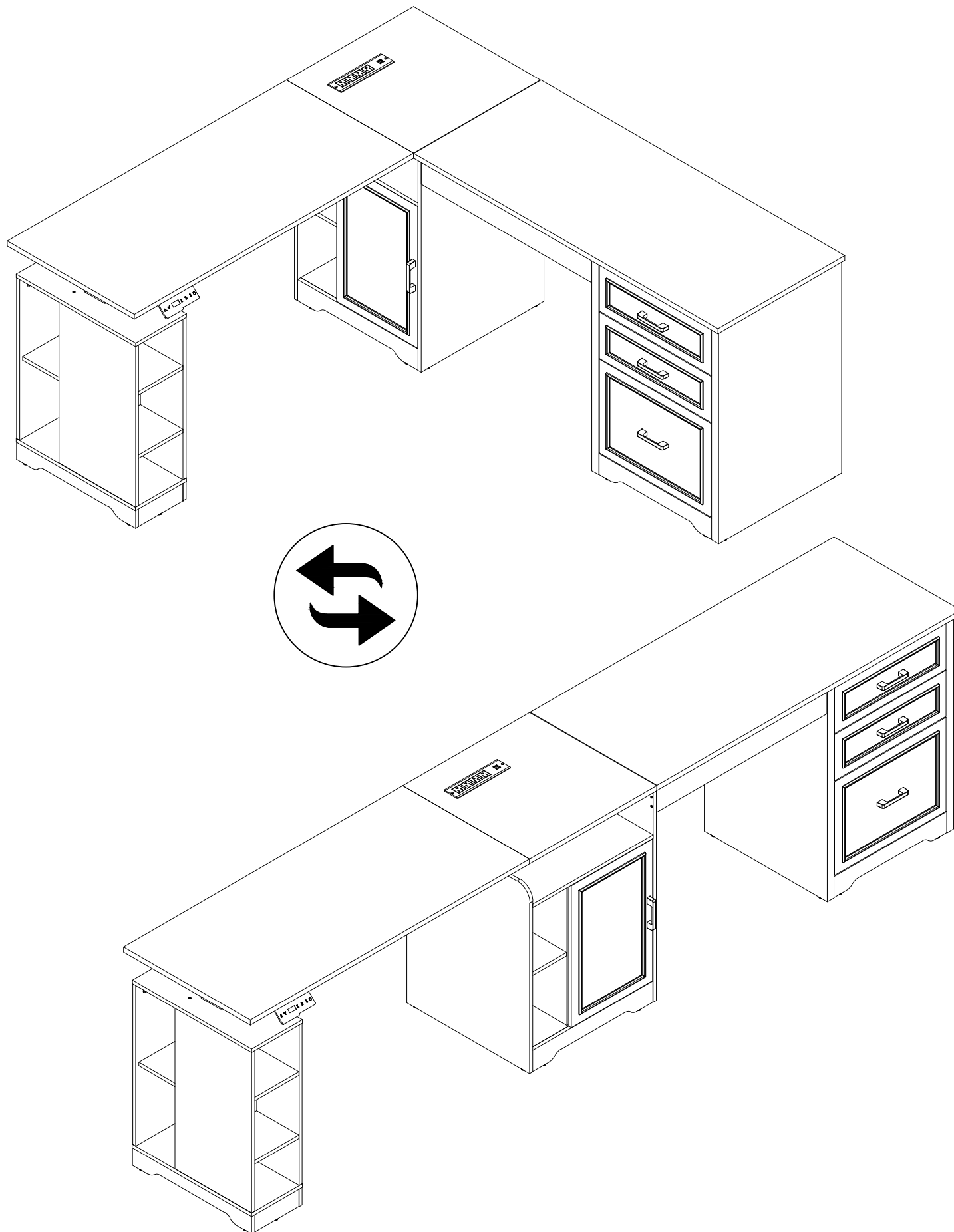


# Computer Desk User Manual



AJ-DJ505124

Installation takes  x 2~4hour

 Please read this instruction manual carefully before using the product

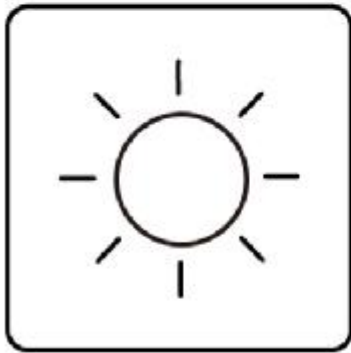
## Package Contents

Plates and  
iron components

Assembly tool kit

Instruction manual

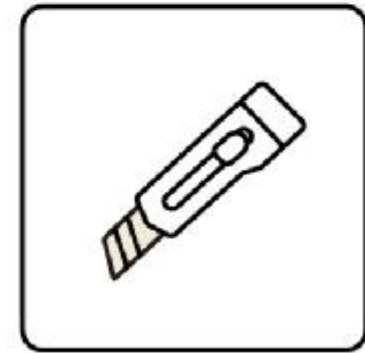
## ⚠ Precautions



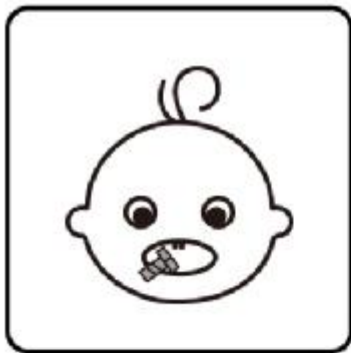
1. Avoid extended periods of direct sunlight exposure.



2. Stay away from fire.



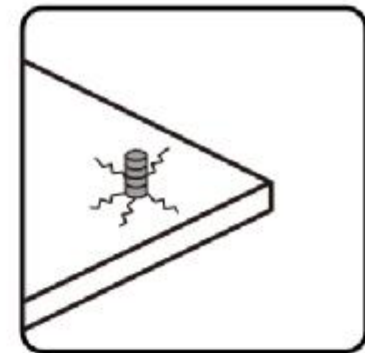
3. Keep away from sharp objects.



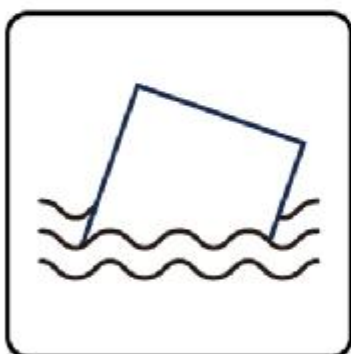
4. Keep infants and children away from assembly parts to avoid choking and suffocation.



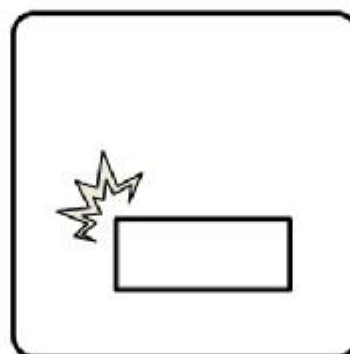
5. Keep away from corrosive substances.



6. Pay attention to avoid over-tightening fasteners, as they may cause cracking within the board.



7. Prevent objects from being damaged by immersion in water.



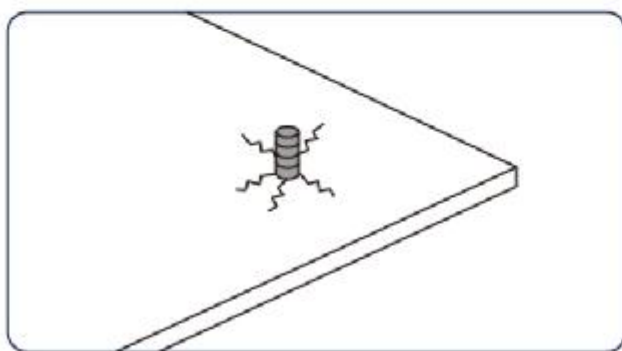
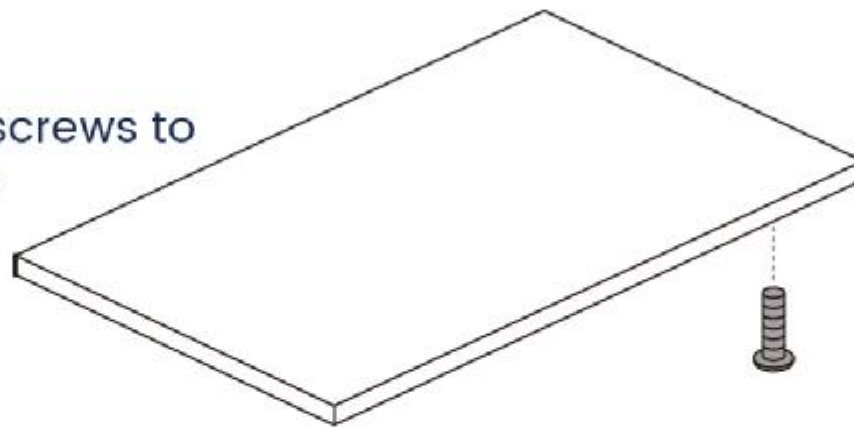
8. Prevent object collision and damage.



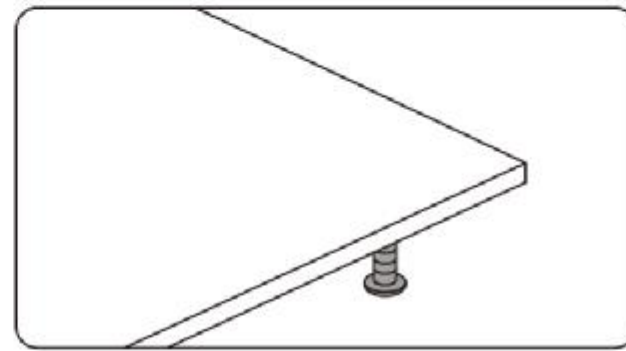
9. Be careful to avoid collisions.

## ⚠ Installation of Cams and Pins

Be sure to use the proper screws to avoid damaging the parts



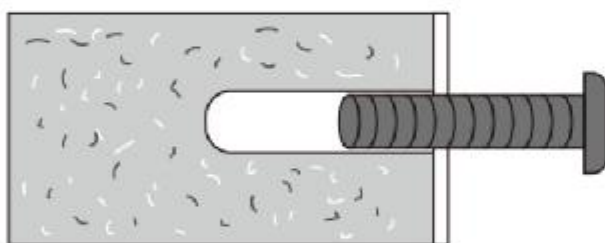
Wrong screws can cause the plank to crack



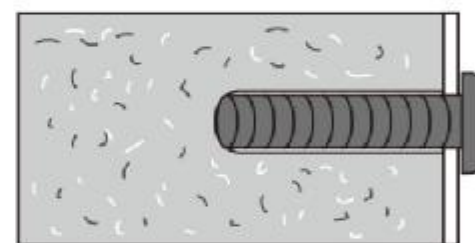
The right screw is the right size

## ⚠ Matters needing attention

1. When installing the screws in the installation step, the screws do not need to be tightened.

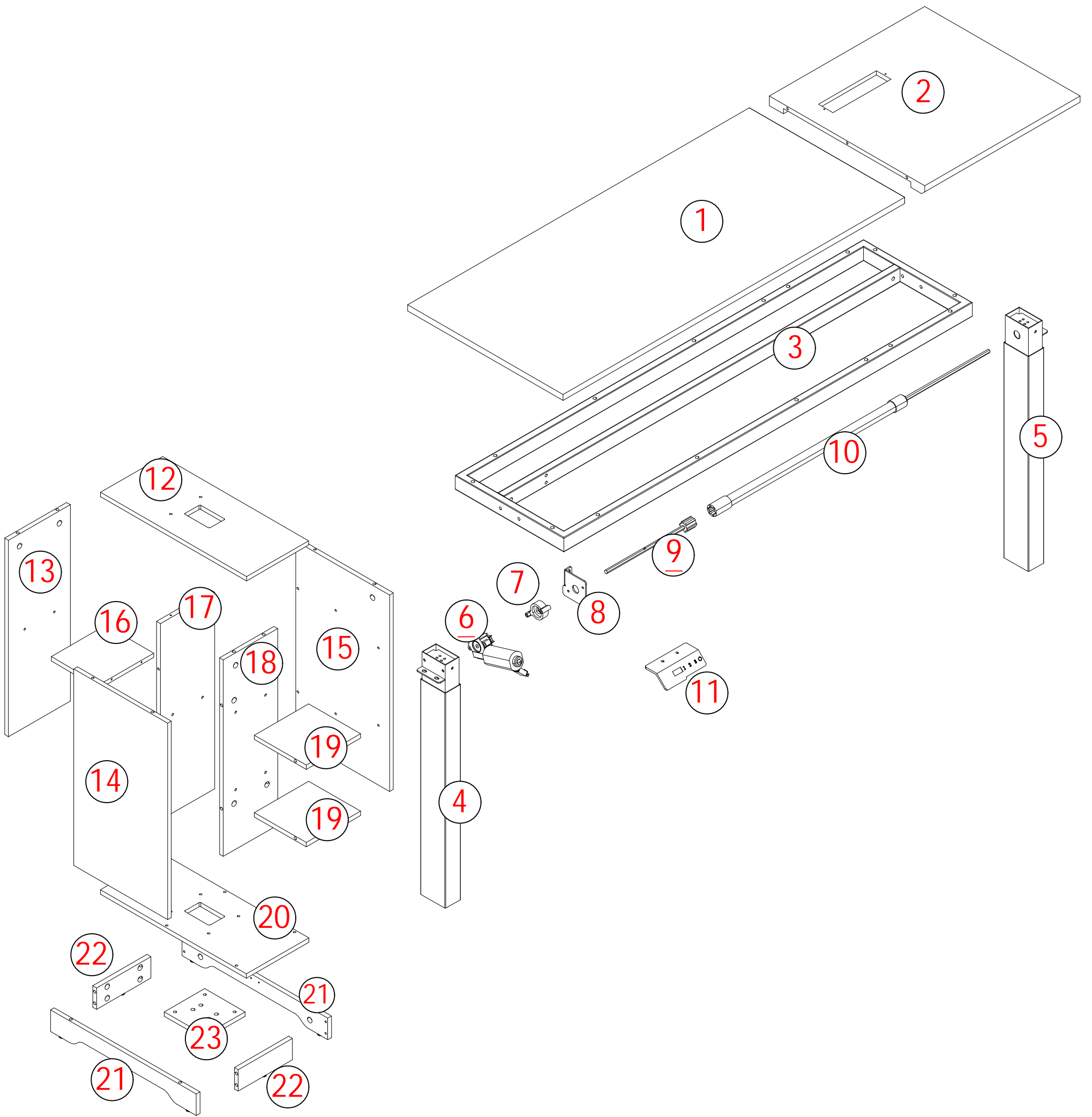


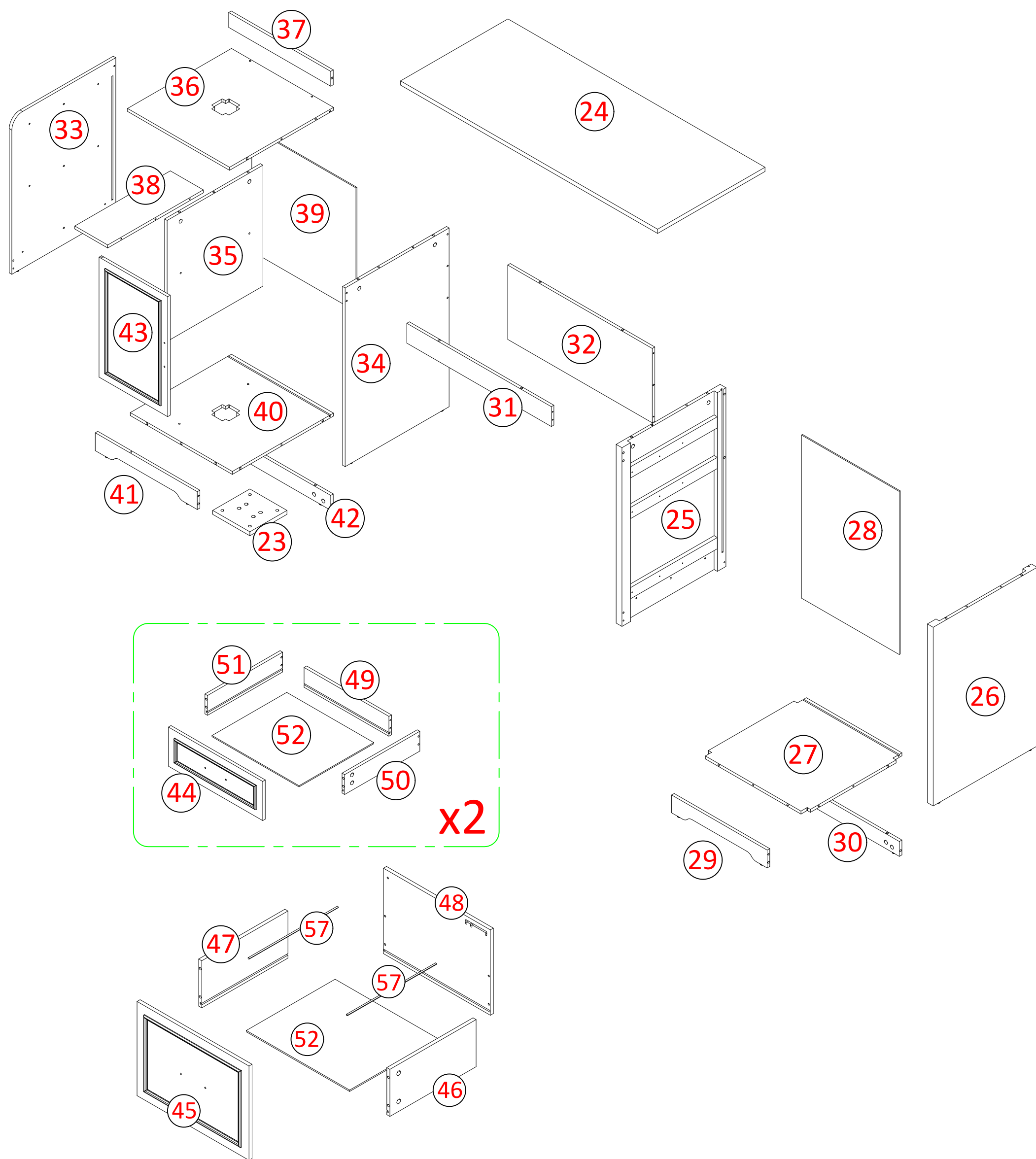
2. After this installation step is confirmed and the holes are aligned, then tighten all the screws.

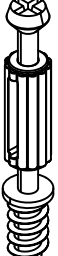

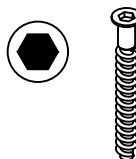




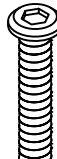
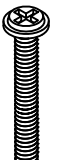
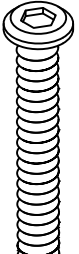
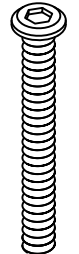
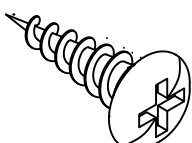

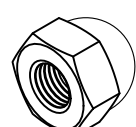

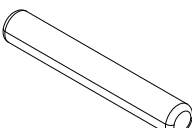


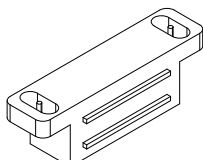
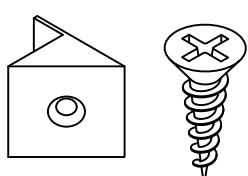
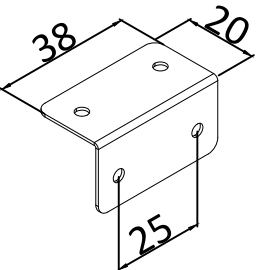
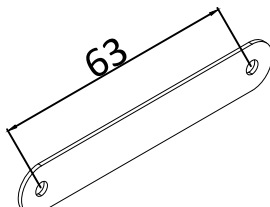
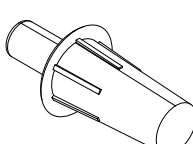



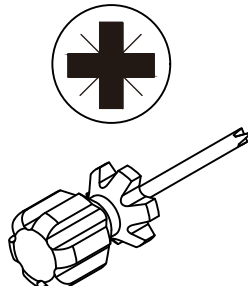
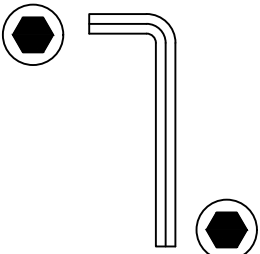
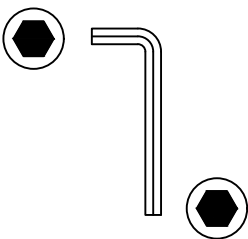
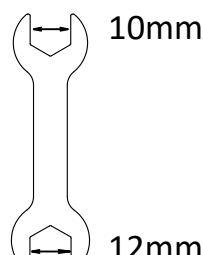
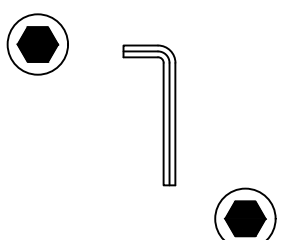
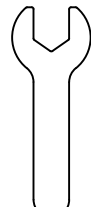


3. If the screws are tightened during the installation process, it will cause problems such as misalignment of the screw holes and misalignment of the board in subsequent installations

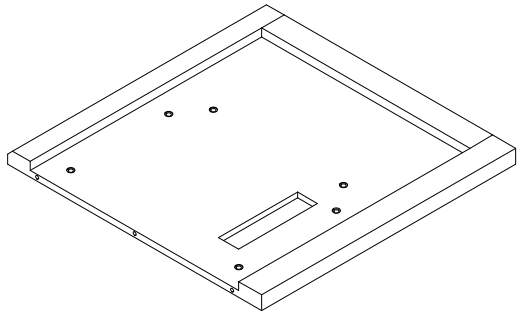
# Disassembly Diagram



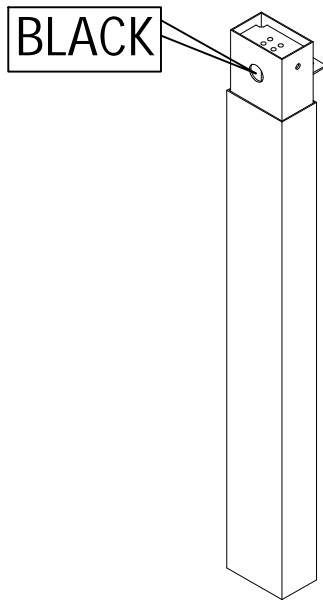


<p><b>A</b> M5x42</p>  <p>85 PCS</p>	<p><b>B</b> Ø15x10</p>  <p>85 PCS</p>	<p><b>C</b> M5x40</p>  <p>44 PCS</p>	<p><b>D</b> M3.5x12</p>  <p>42 PCS</p>	<p><b>E</b> M5x10</p>  <p>2 PCS</p>	<p><b>F</b> M4x16</p>  <p>8 PCS</p>
<p><b>G</b> M6x20</p>  <p>8 PCS</p>	<p><b>H</b> M6x30</p>  <p>8 PCS</p>	<p><b>I</b> M4x45</p>  <p>2 PCS</p>	<p><b>J</b> M8x40</p>  <p>8 PCS</p>	<p><b>K</b> M6x50</p>  <p>16 PCS</p>	<p><b>L</b> M3x14</p>  <p>2 PCS</p>
<p><b>N</b> M4</p>  <p>2 PCS</p>	<p><b>M</b> M6xL12</p>  <p>2 PCS</p>	<p><b>O</b> 14*5*1</p>  <p>2 PCS</p>	<p><b>P</b> Ø6x40</p>  <p>31 PCS</p>	<p><b>Q</b> M6x10</p>  <p>4 PCS</p>	<p><b>R</b> 15*6*2</p>  <p>16 PCS</p>
<p><b>S</b></p>  <p>1 PCS</p>	<p><b>T</b> M3.5x14</p>  <p>10 PCS</p>	<p><b>U</b></p>  <p>2 PCS</p>	<p><b>V</b></p>  <p>1 PCS</p>	<p><b>W</b></p>  <p>2 PCS</p>	<p><b>X</b></p>  <p>4 PCS</p>
<p><b>Y</b> Ø22x1</p>  <p>12 PCS</p>	<p><b>Z</b></p>  <p>3 PCS</p>	 <p>1 PCS</p>	<p><b>5#</b></p>  <p>1 PCS</p>	<p><b>4#</b></p>  <p>1 PCS</p>	 <p>10mm 12mm</p> <p>1 PCS</p>
<p><b>3#</b></p>  <p>1 PCS</p>	<p><b>M4</b></p>  <p>1 PCS</p>				

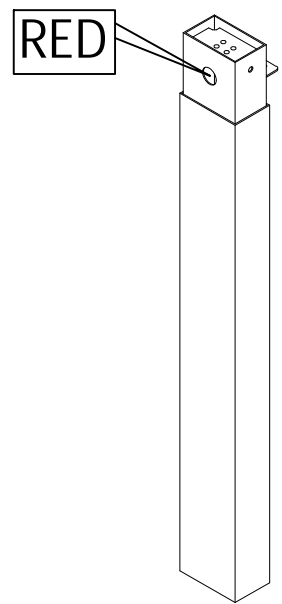
2



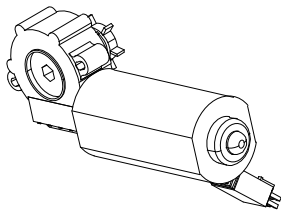
4



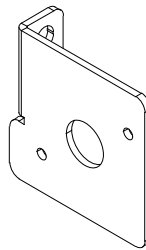
5



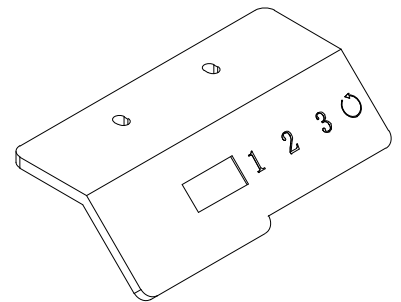
6



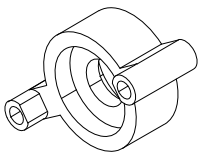
8



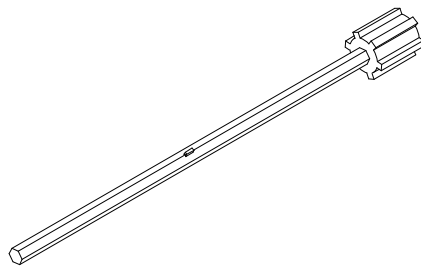
11



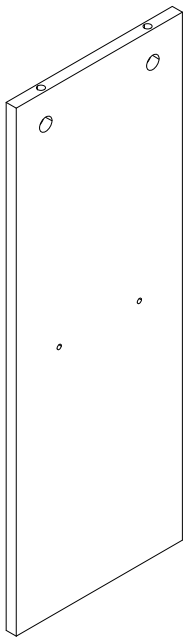
7



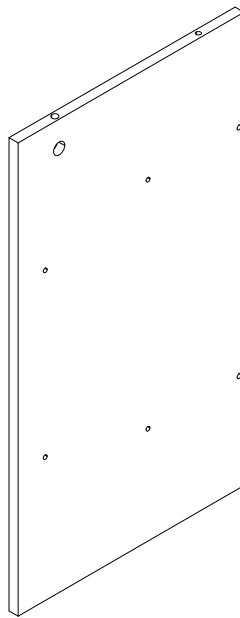
9



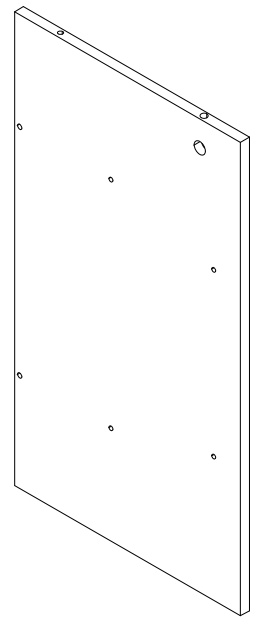
13



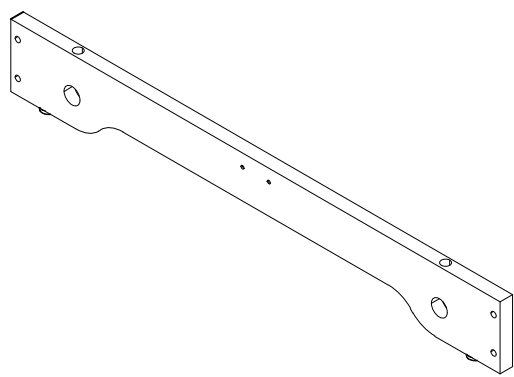
14



15

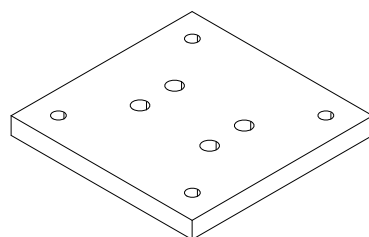


21



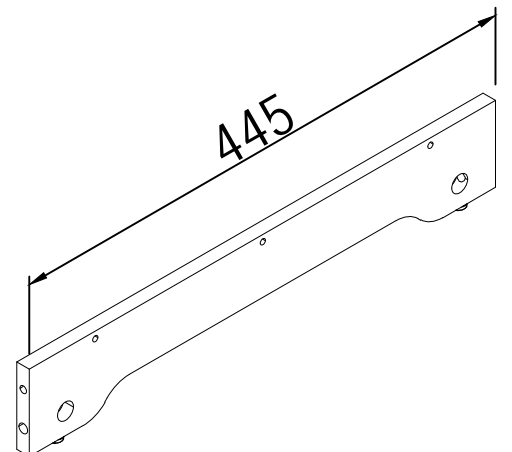
x2

23

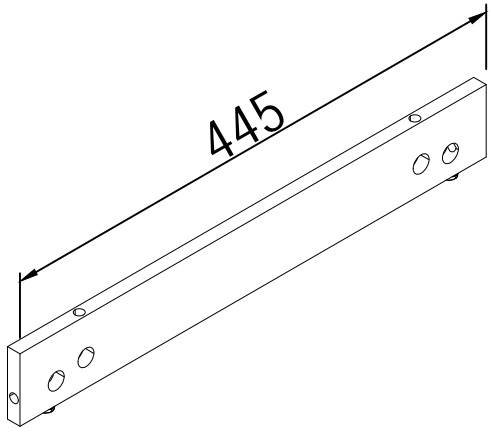


x2

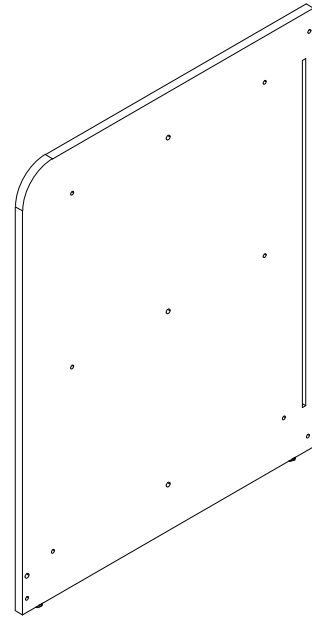
29



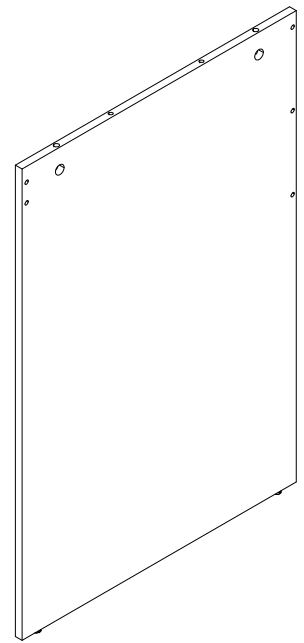
30



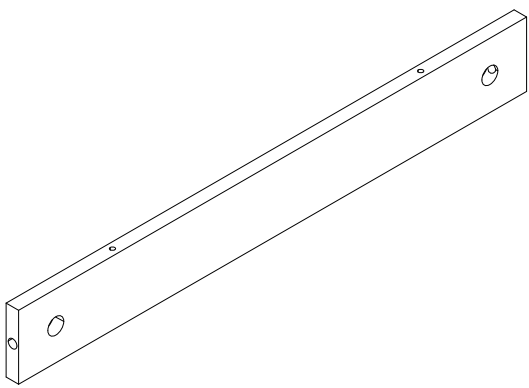
33



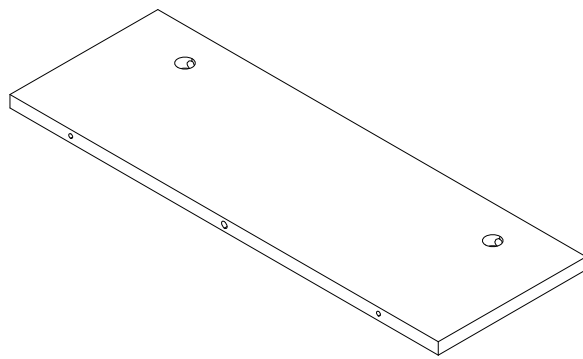
34



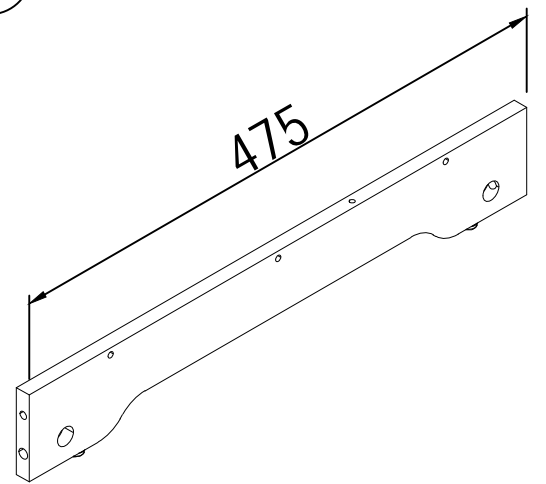
37



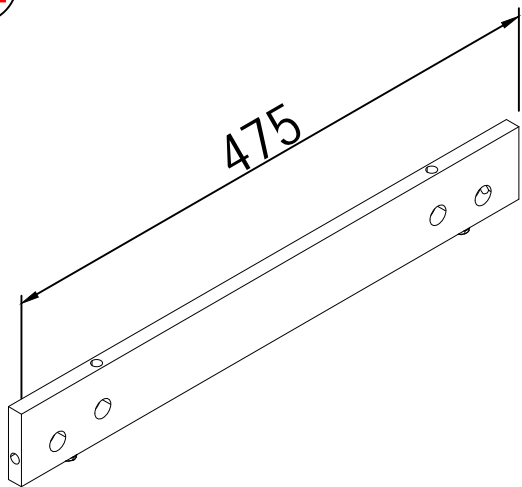
38



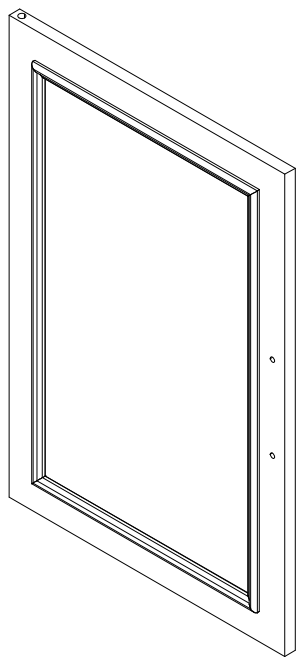
41



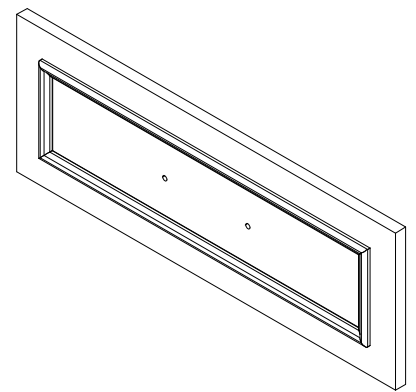
42



43

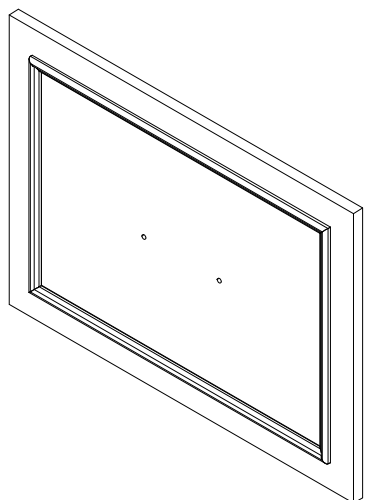


44

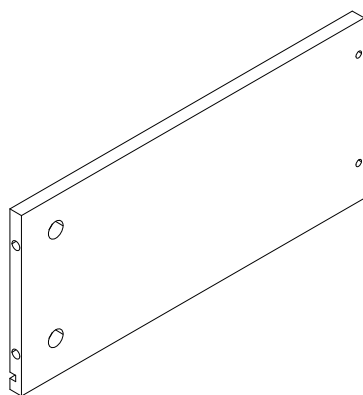


x2

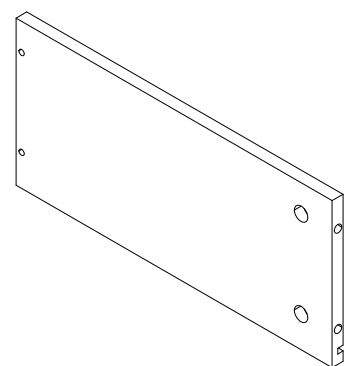
45



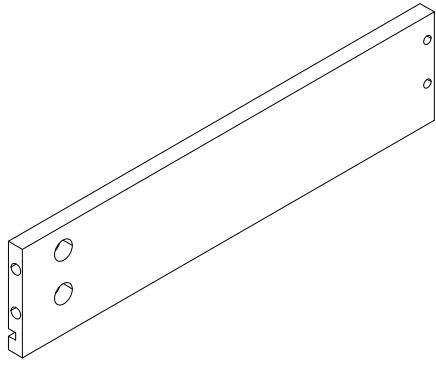
46



47

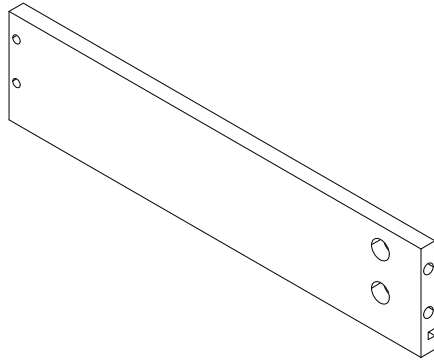


50



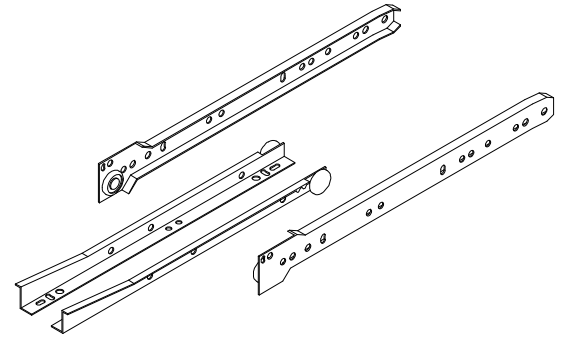
x2

51



x2

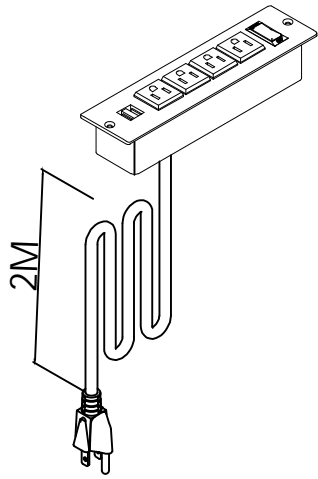
53



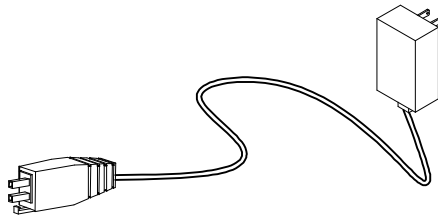
14" 1.0mm

x3

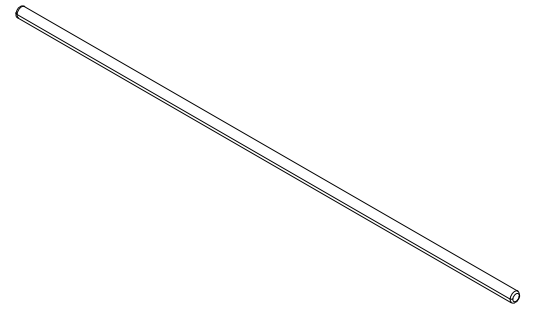
54



55

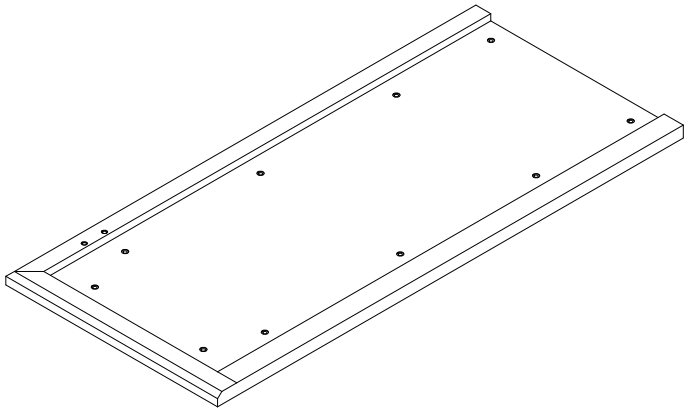


57

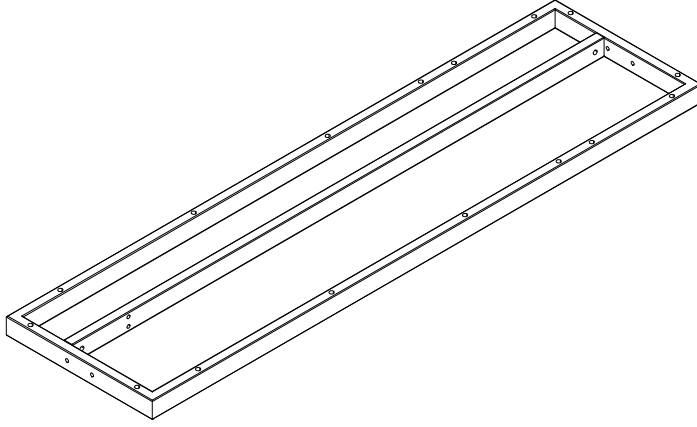


x2

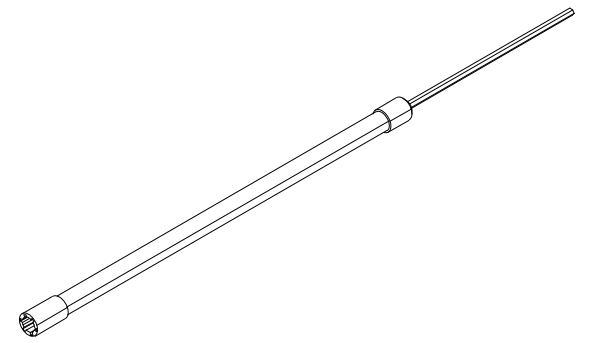
1



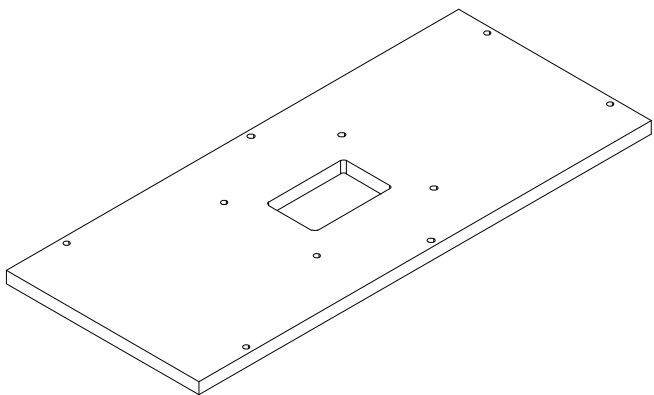
3



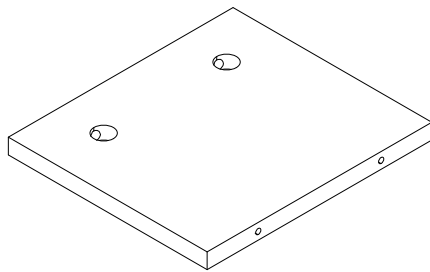
10



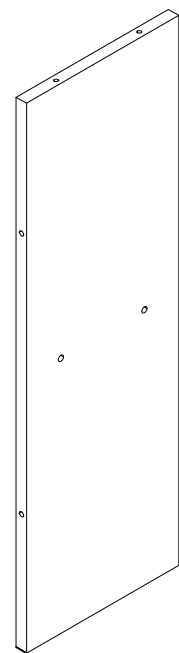
12



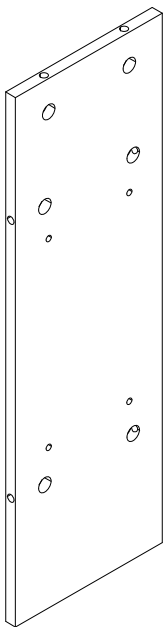
16



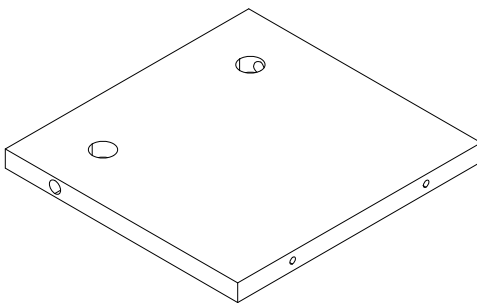
17



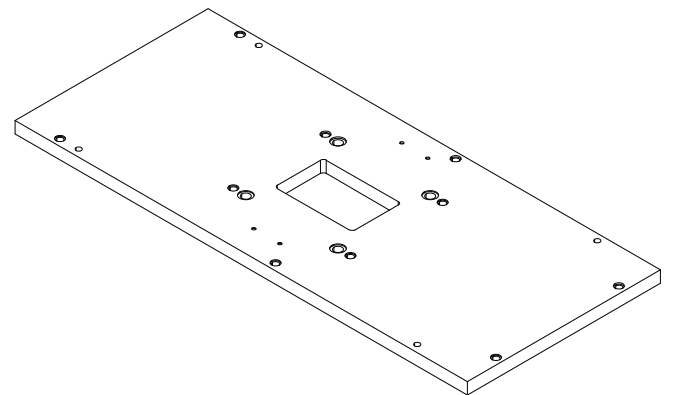
18



19

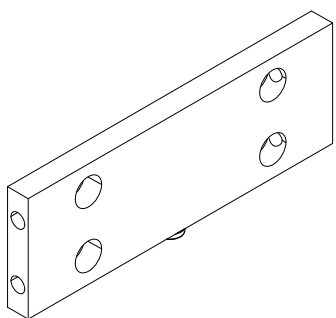


20



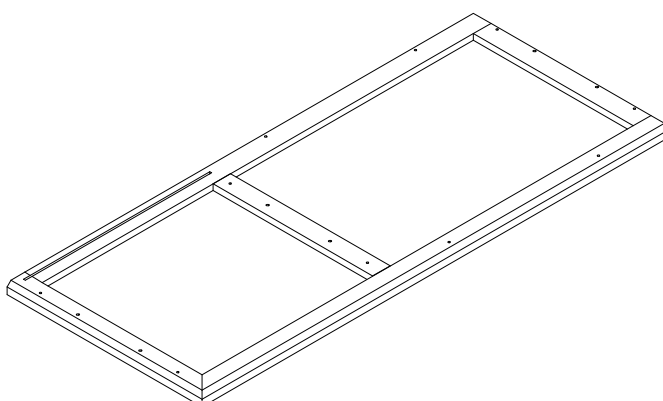
x2

22

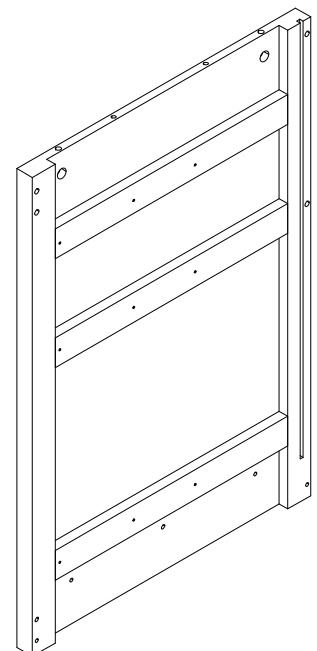


x2

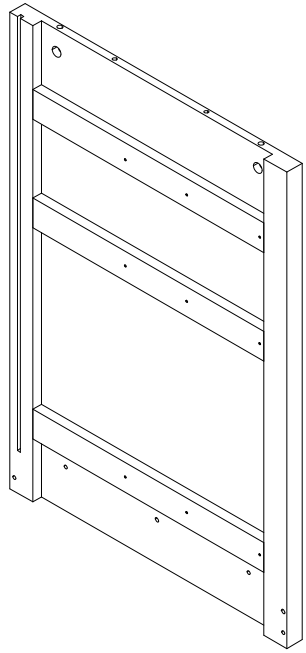
24



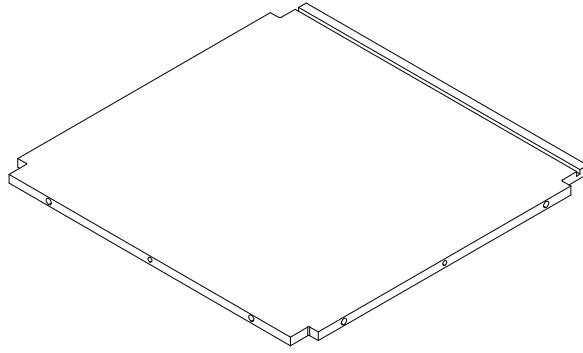
25



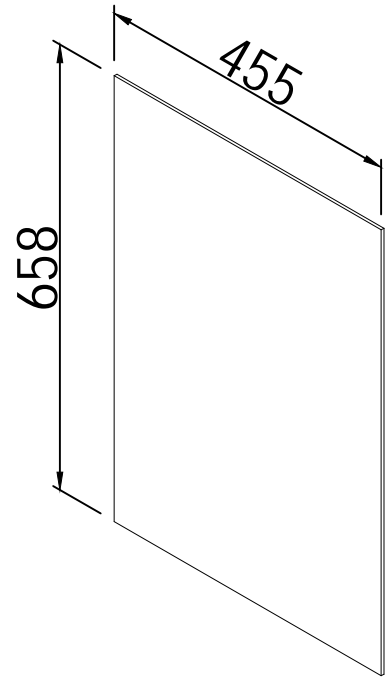
26



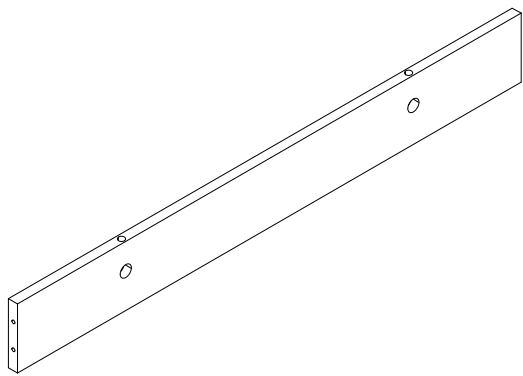
27



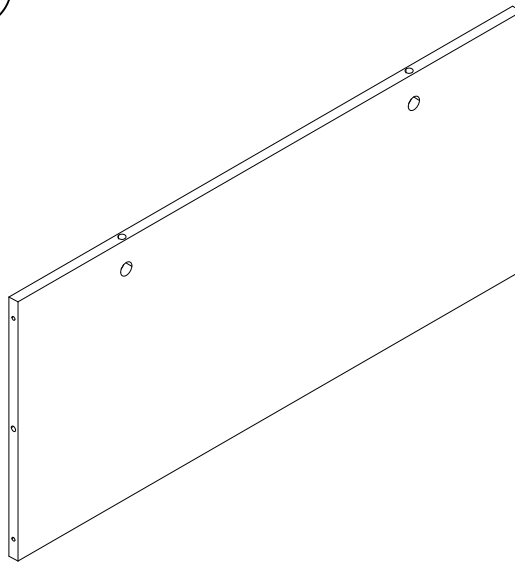
28



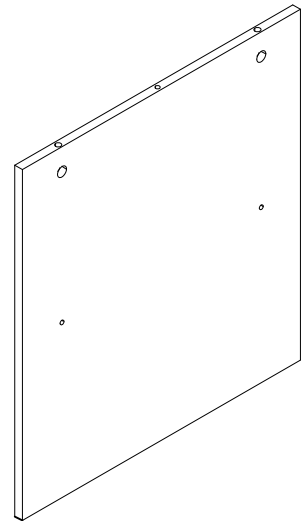
31



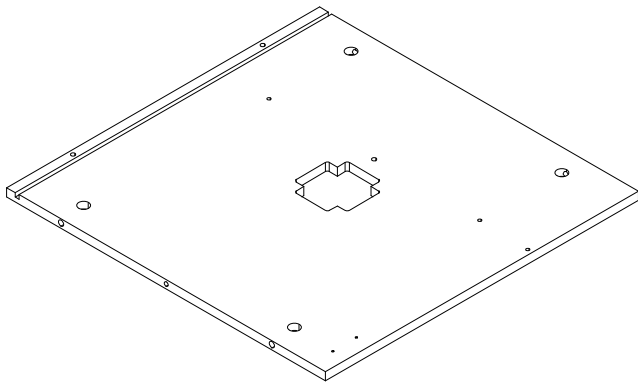
32



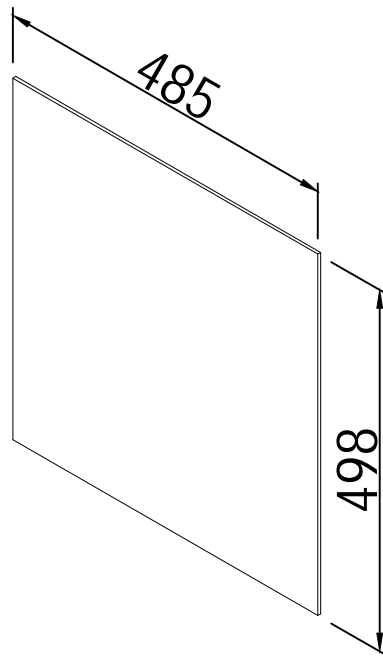
35



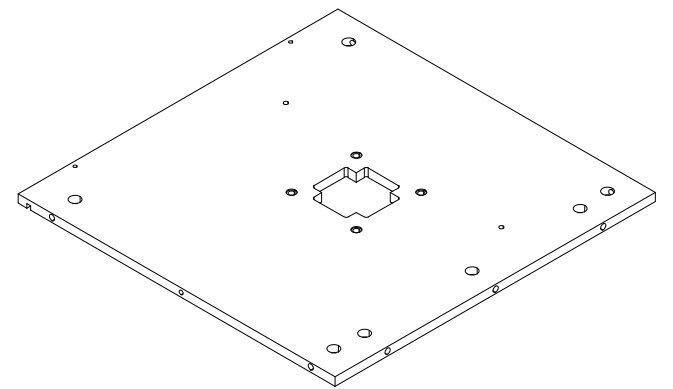
36



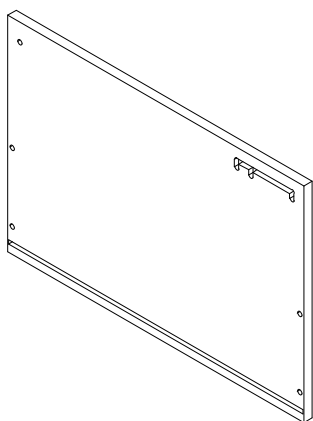
39



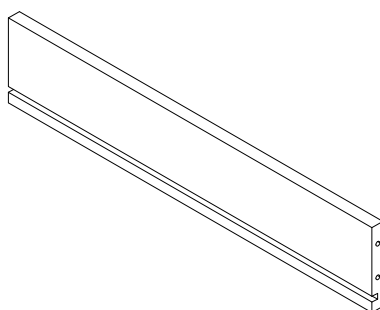
40



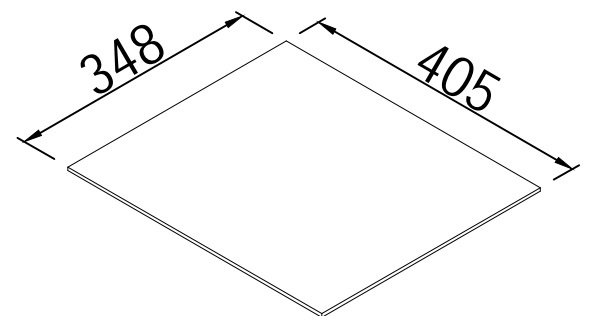
48



49



52

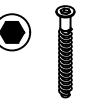


x2

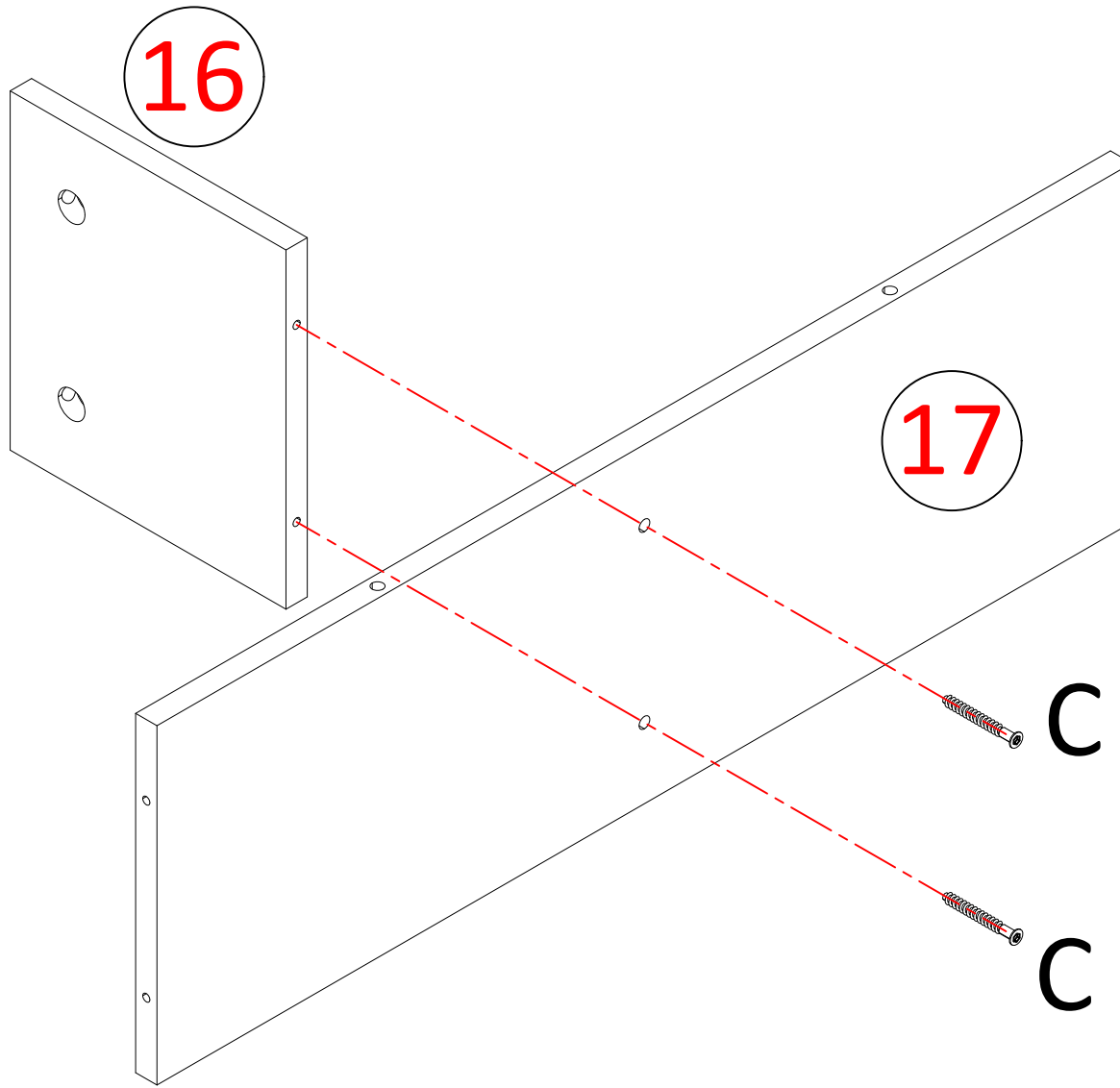
x3

1

C M5x40



2 PCS

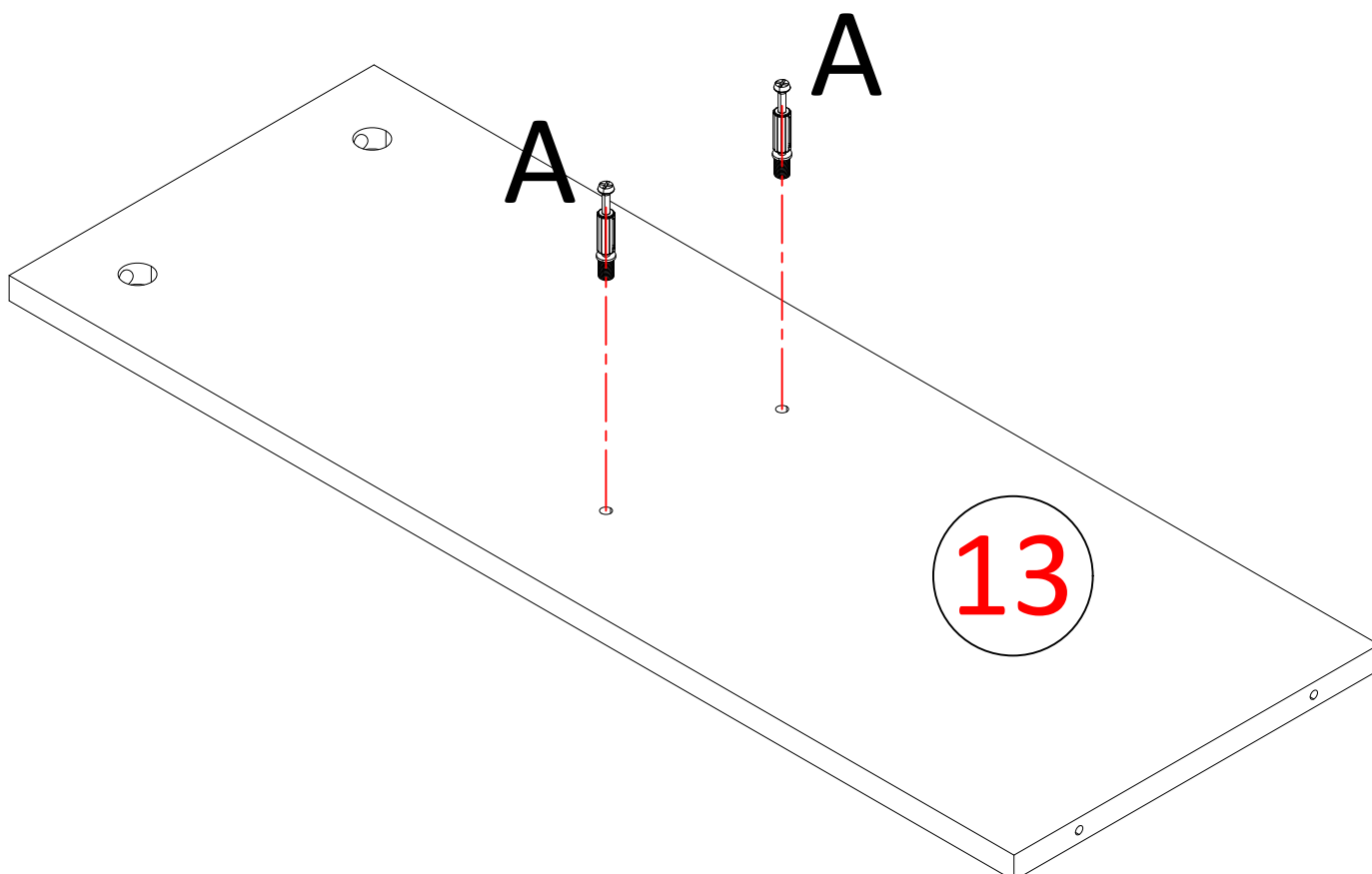


2

A M5x42



2 PCS

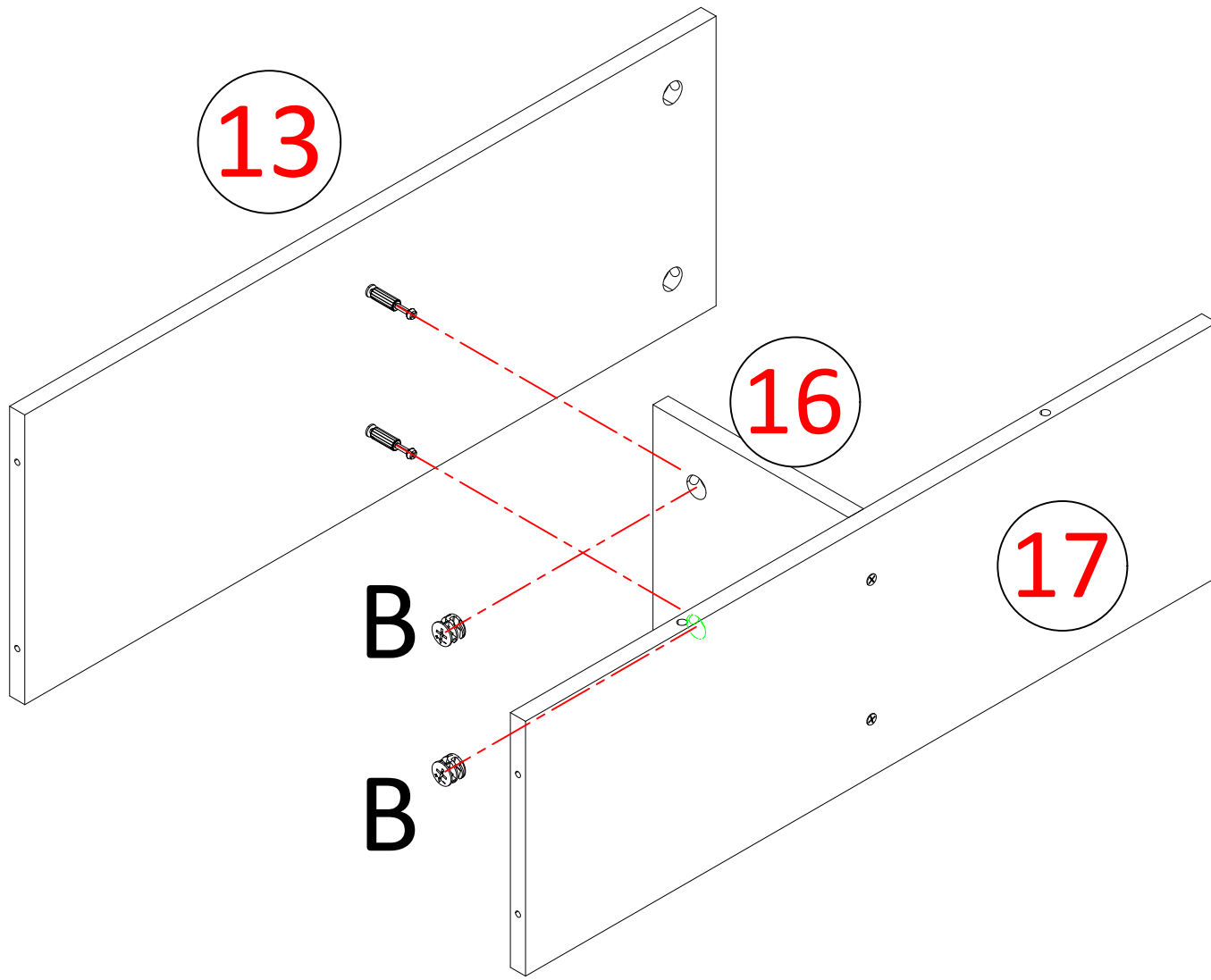


3

B Ø15x10

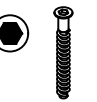


2 PCS

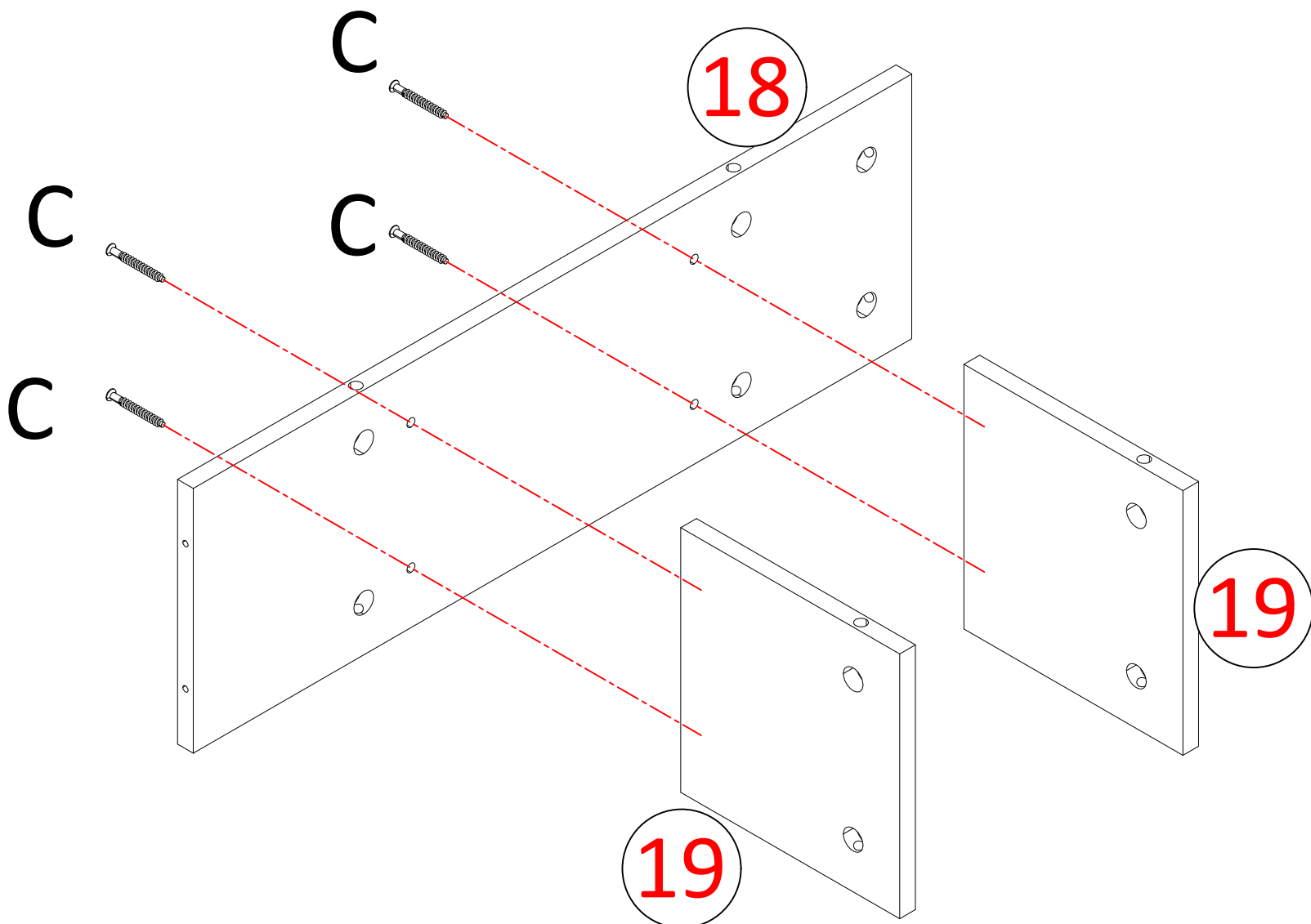


4

C M5x40



4 PCS

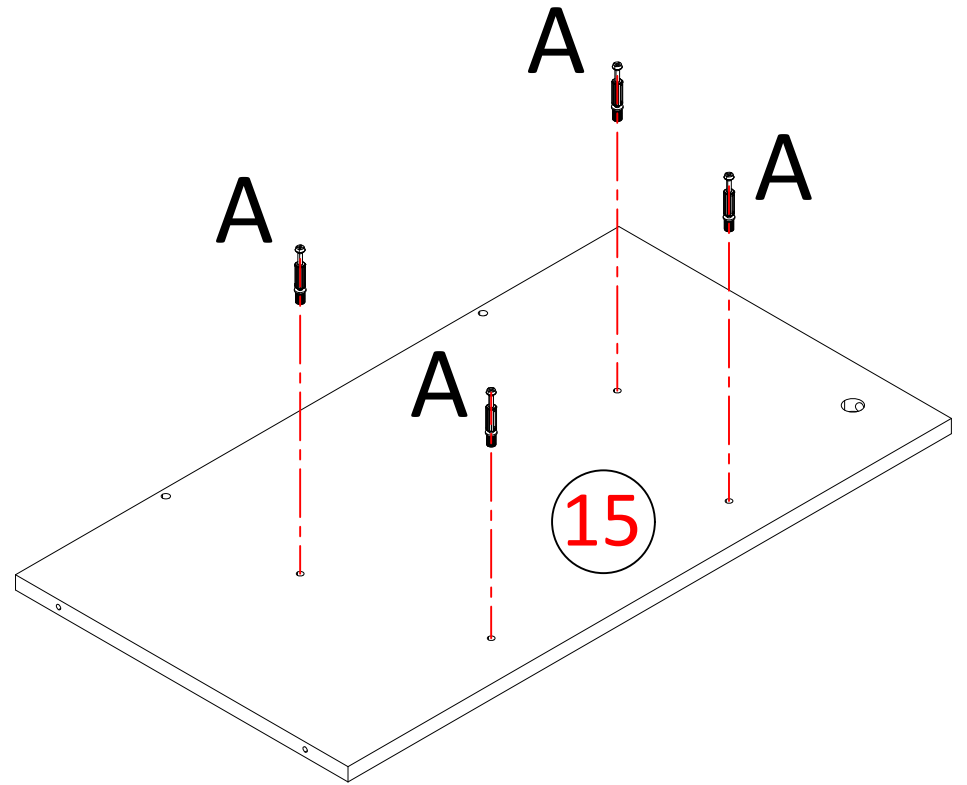
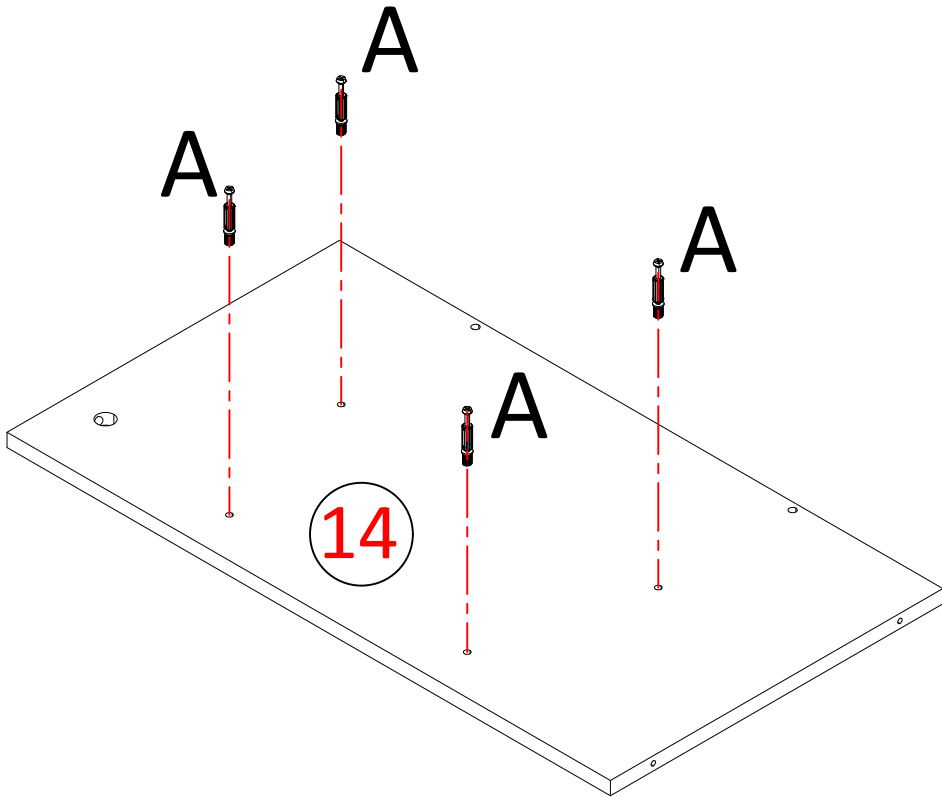


5

A M5x42



8 PCS

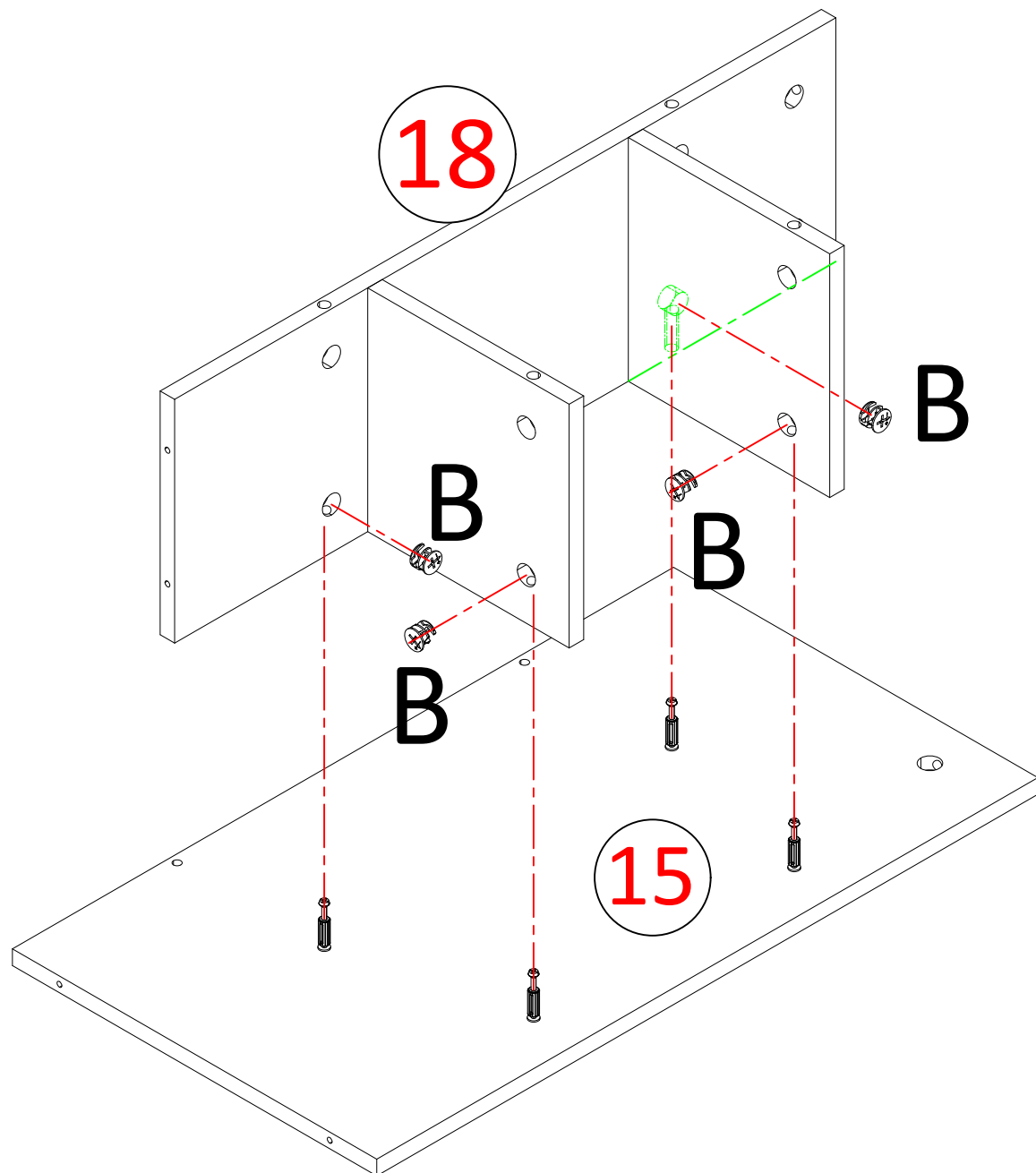


6

B Ø15x10

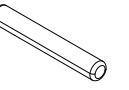


4 PCS

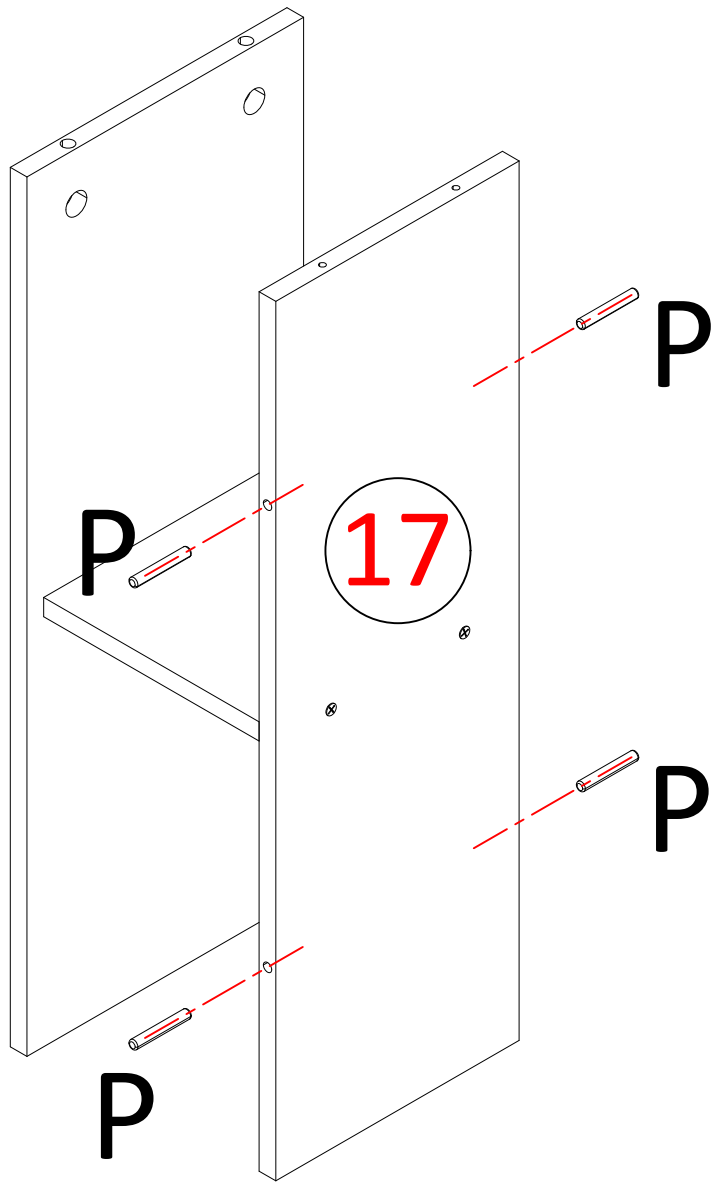


7

P Ø6x40

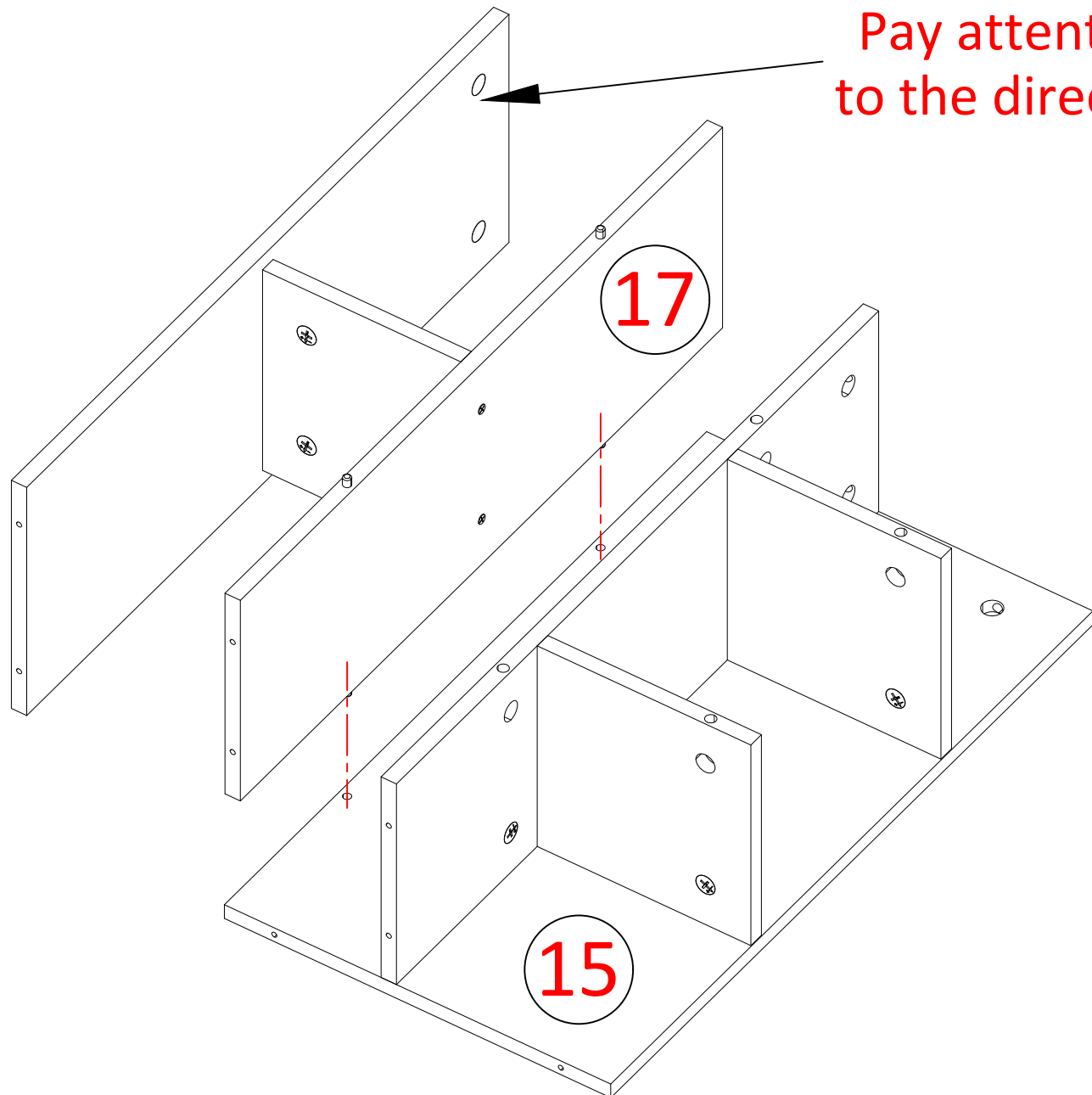


4 PCS



8

Pay attention to the direction

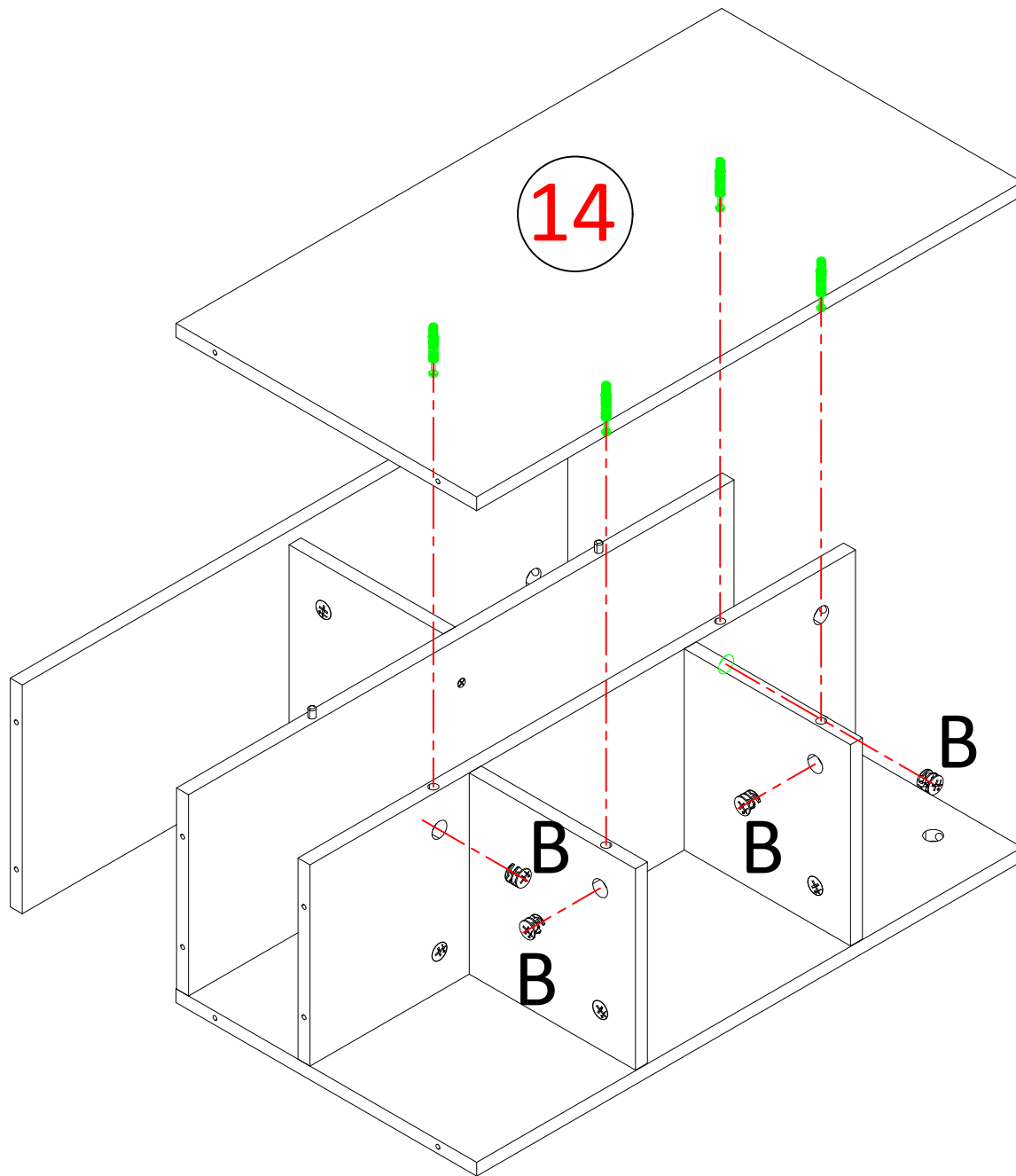


9

B Ø15x10

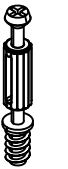


4 PCS

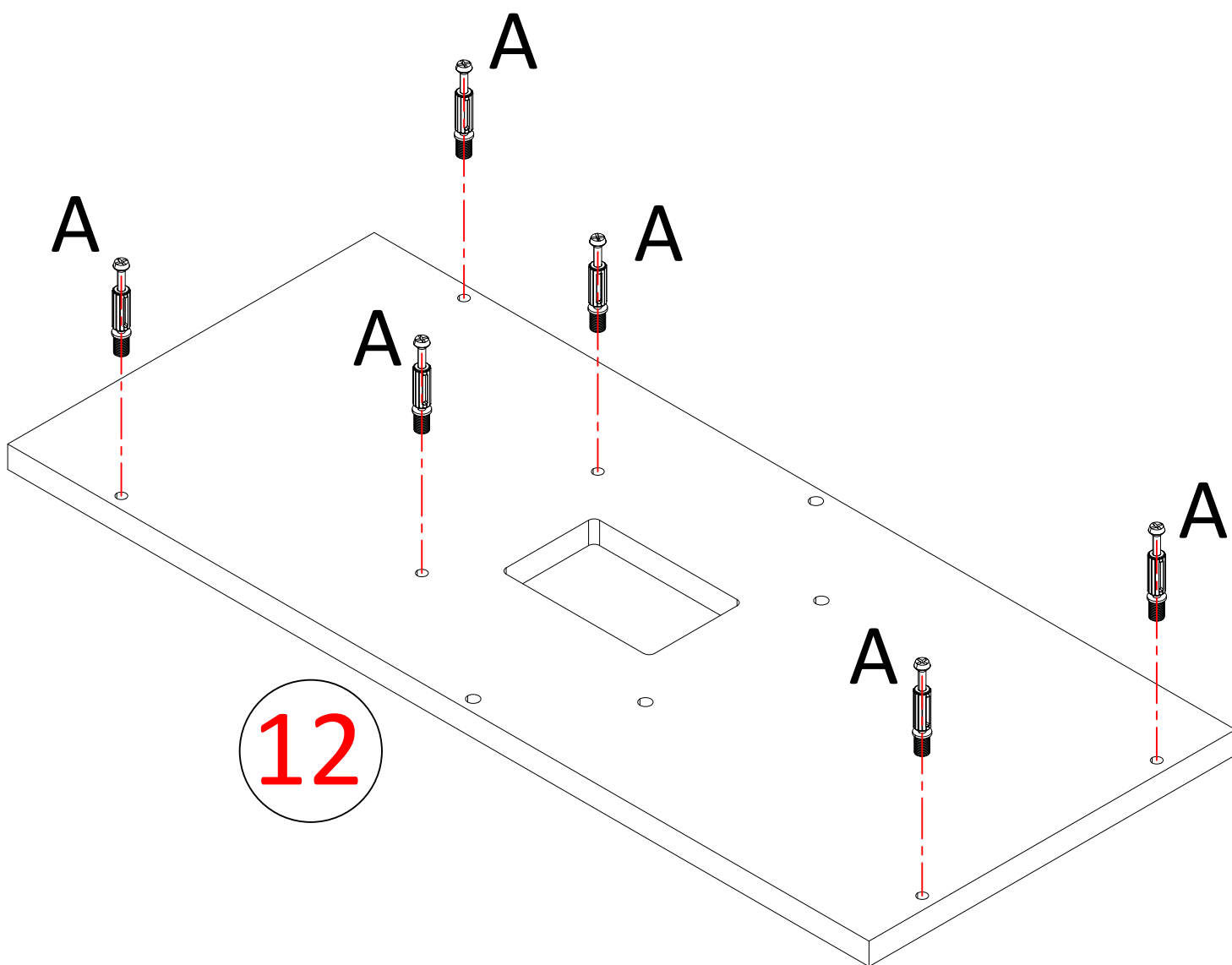


10

A M5x42

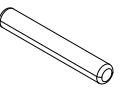


6 PCS

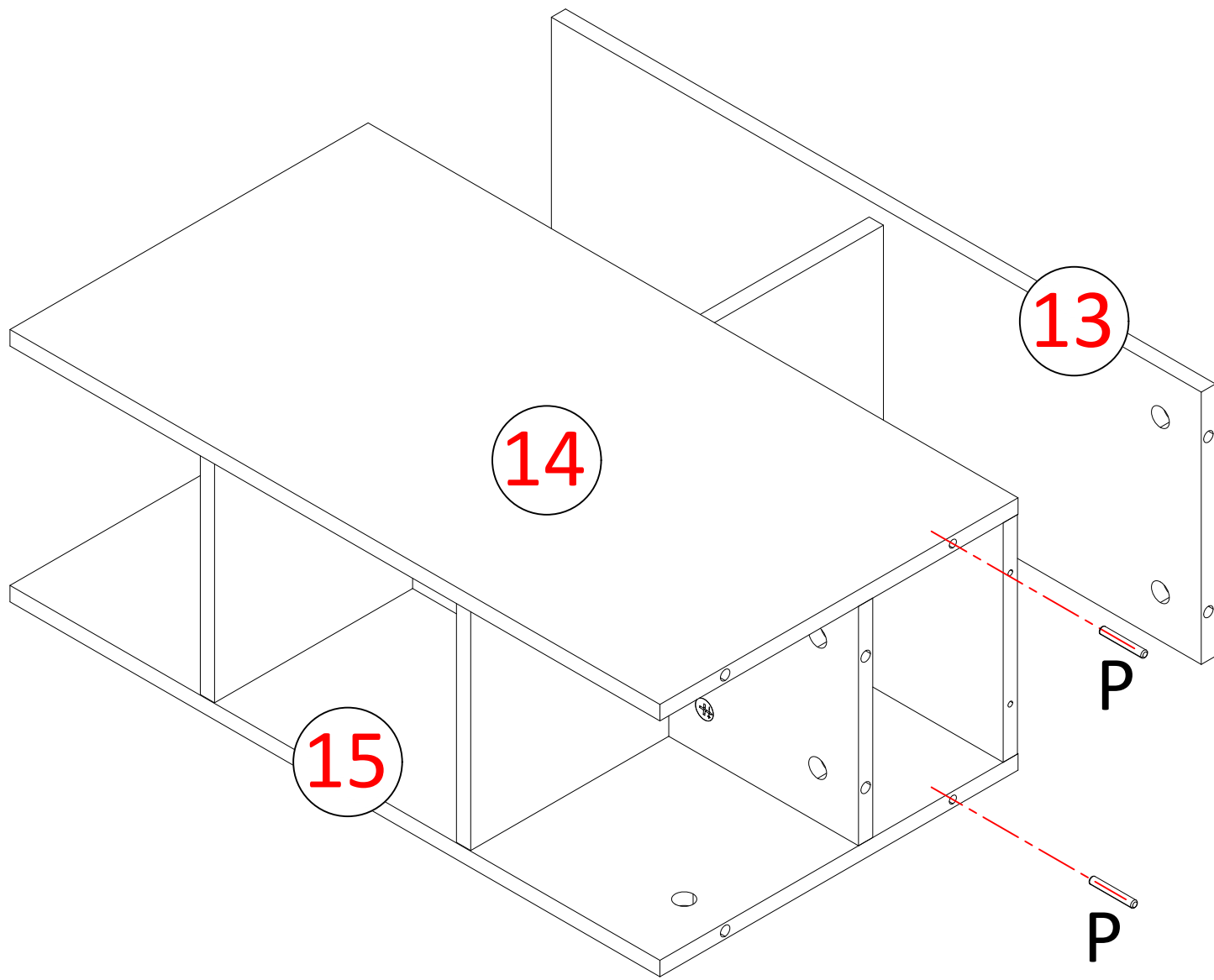


11

P Ø6x40



2 PCS

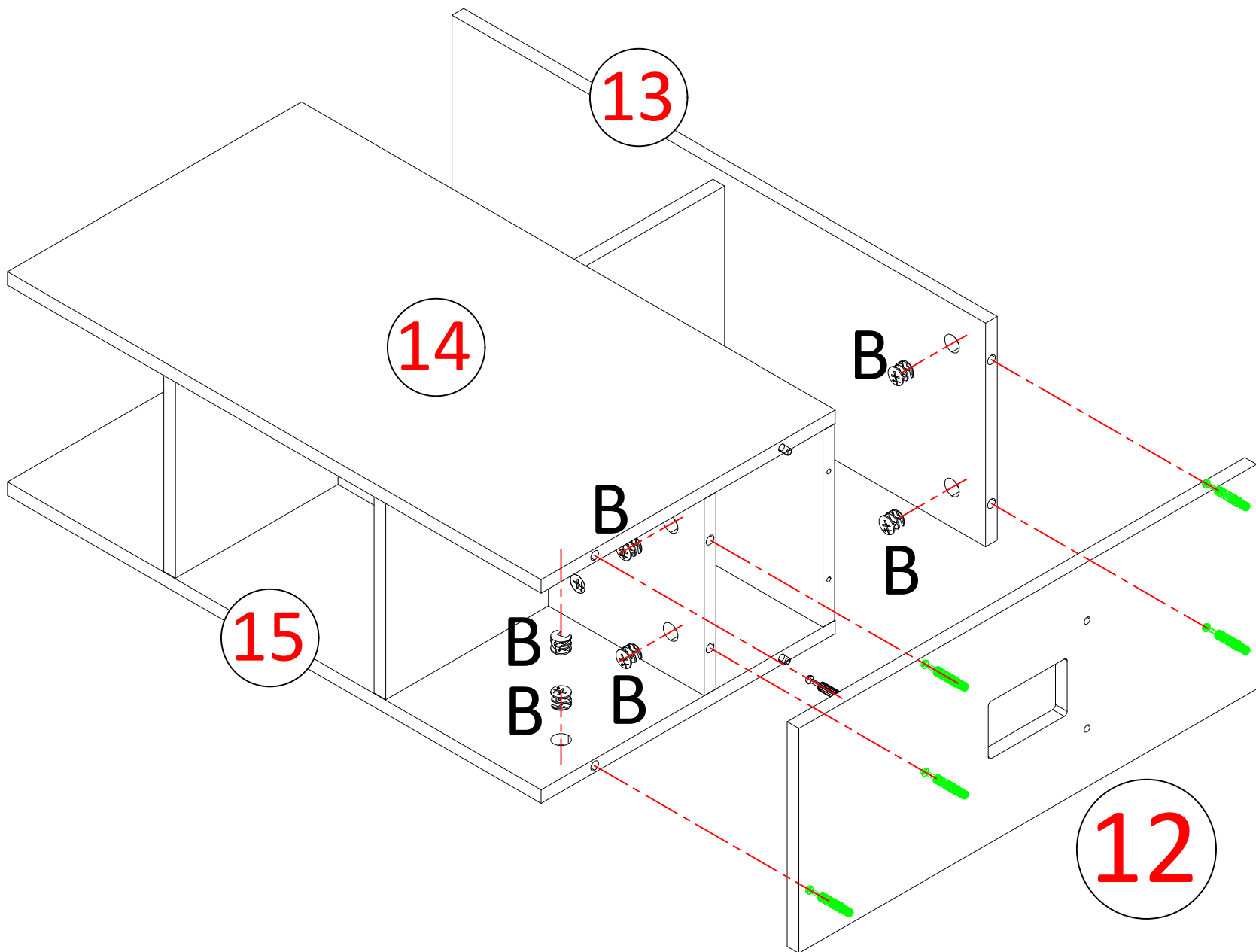


12

B Ø15x10

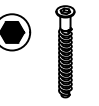


6 PCS

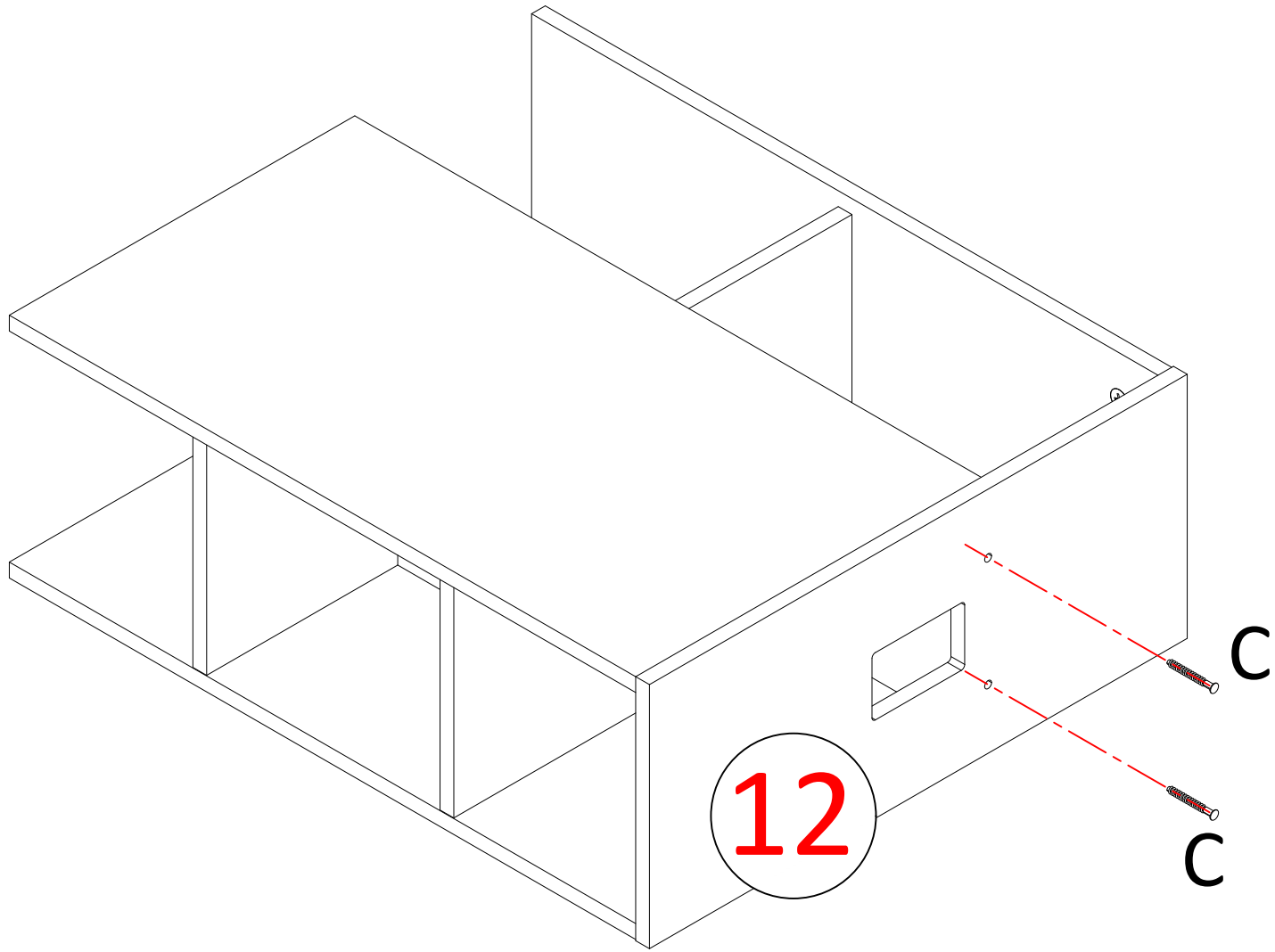


13

C M5x40



2 PCS

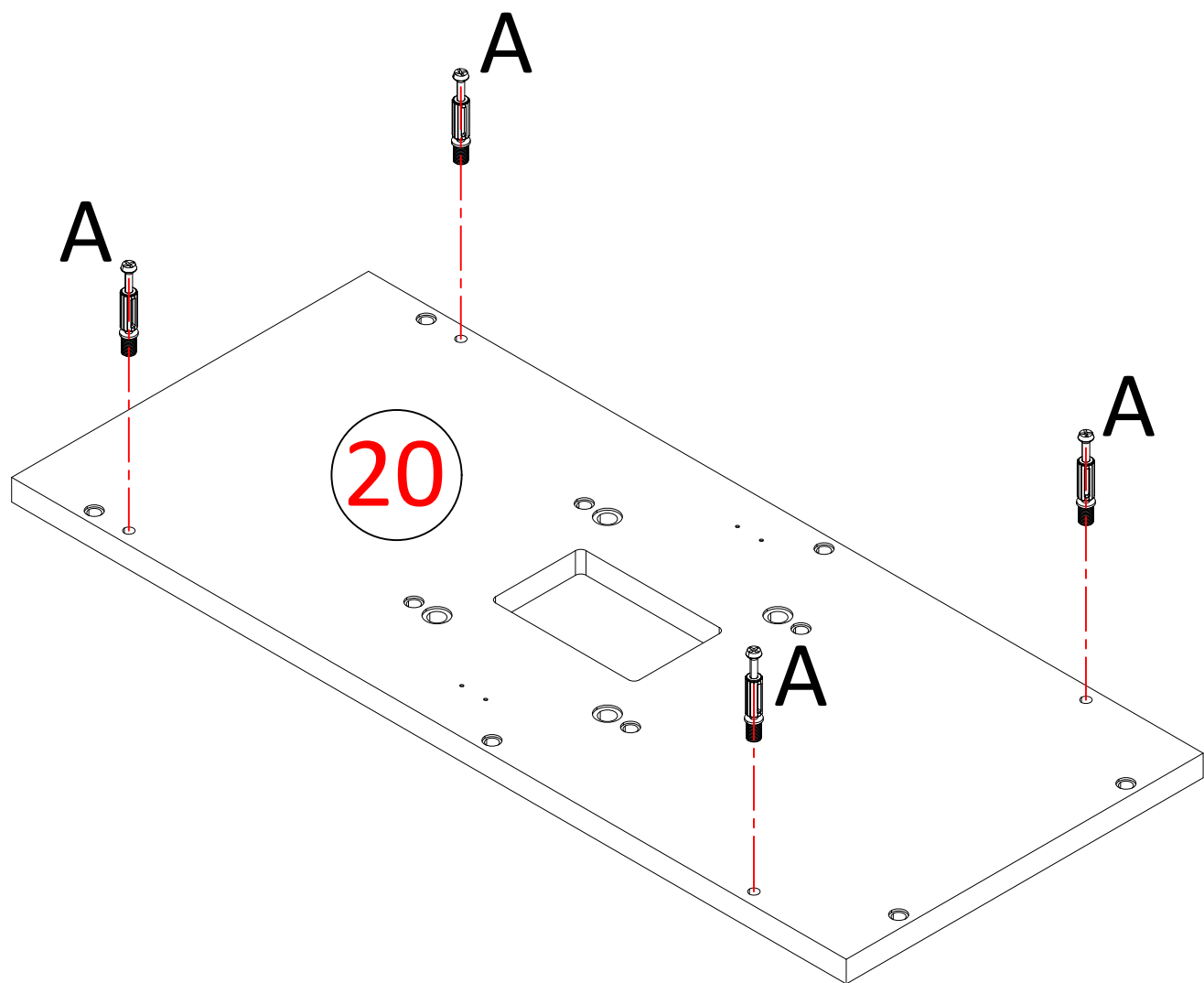


14

A M5x42

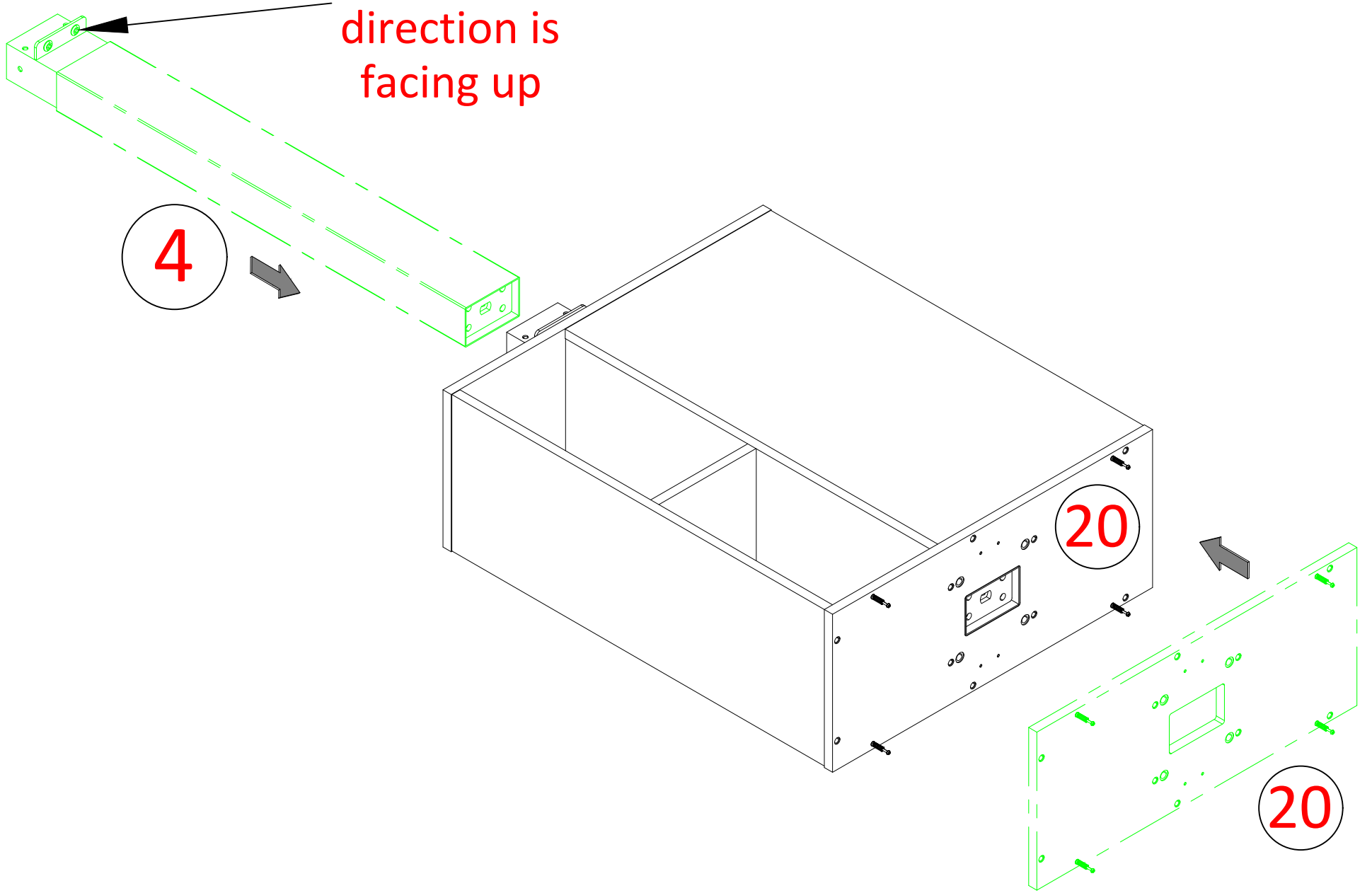


4 PCS



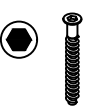
15

Note: The direction is facing up

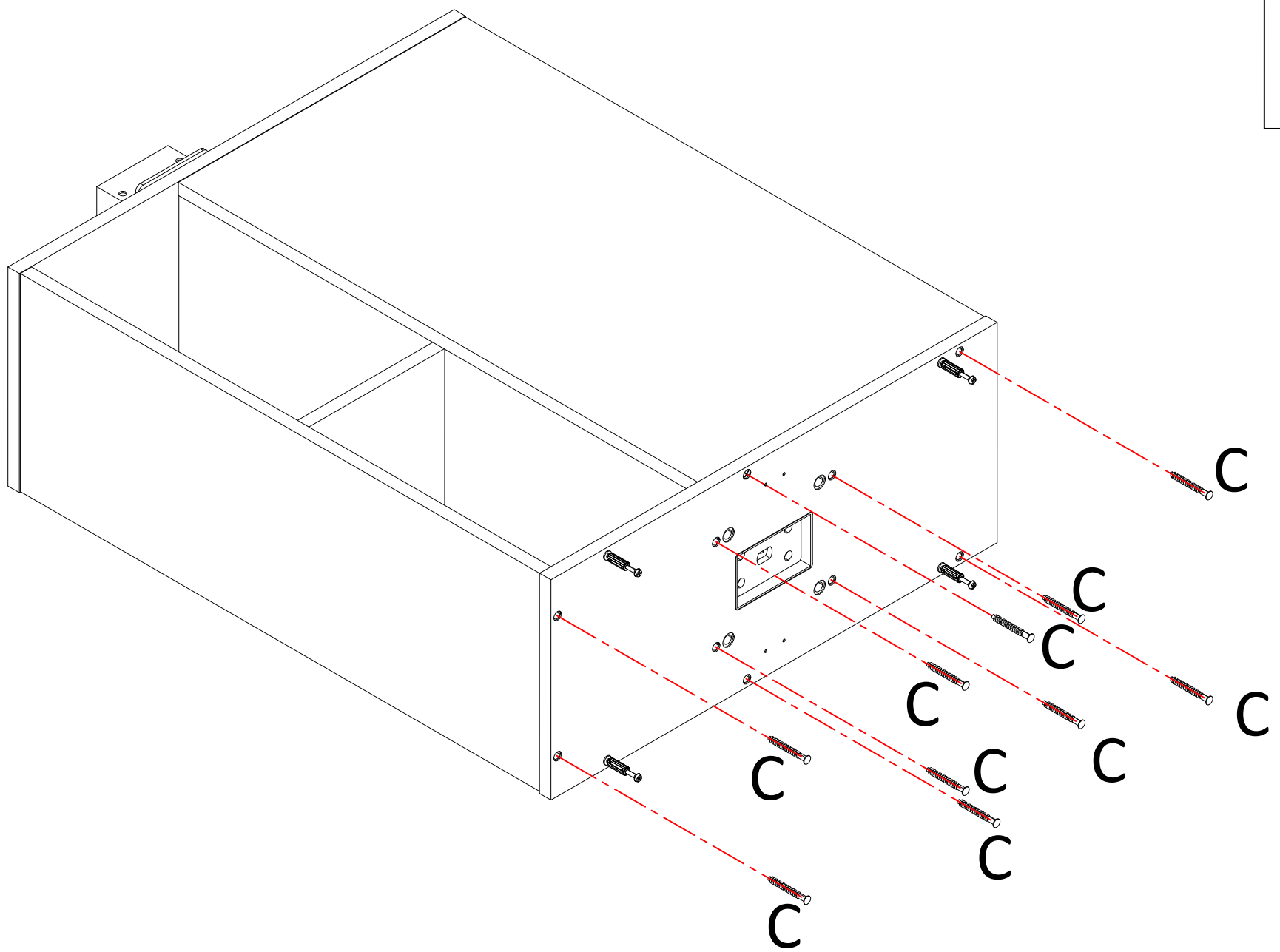


16

C M5x40



10 PCS

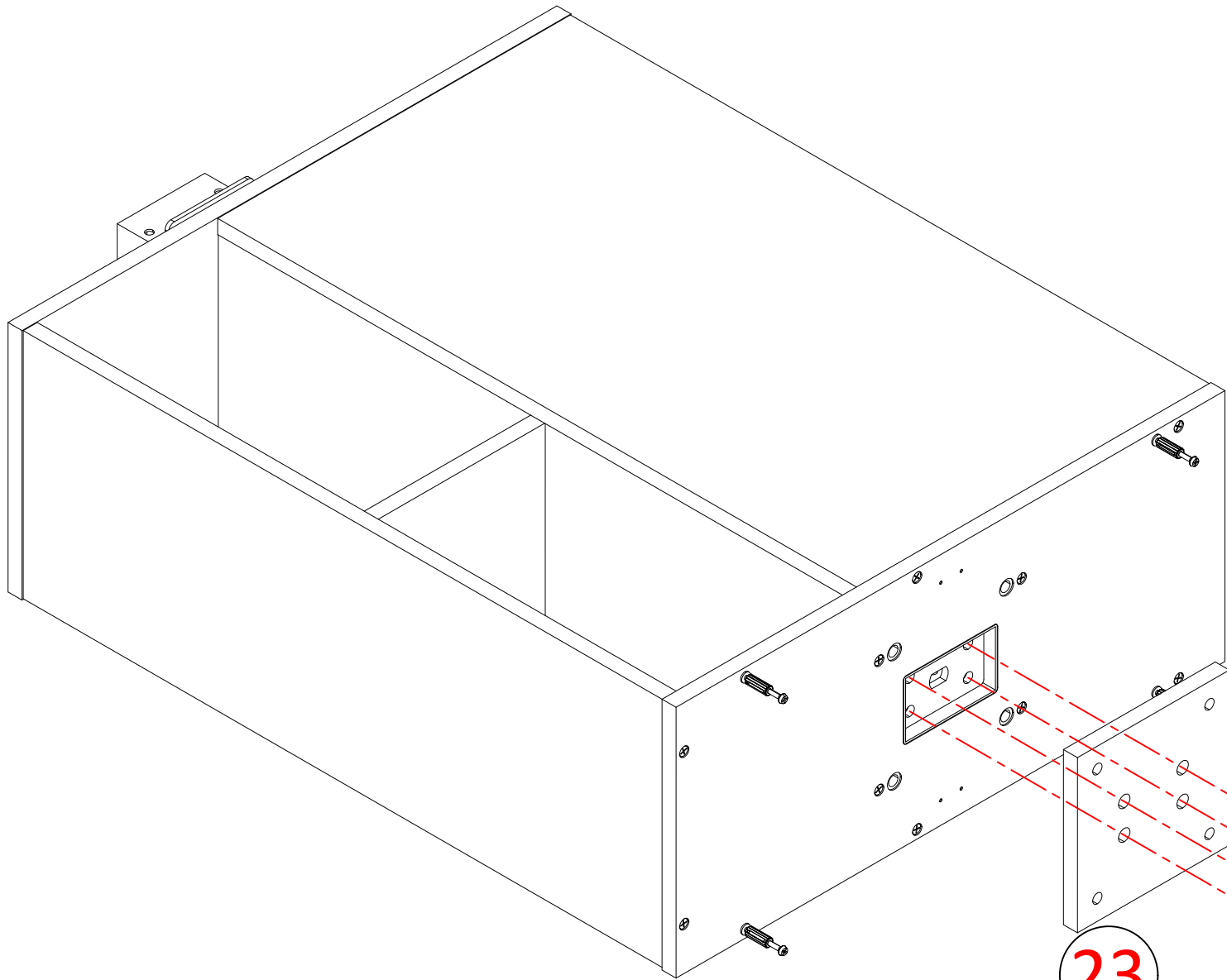


17

J M8x40



4 PCS



23

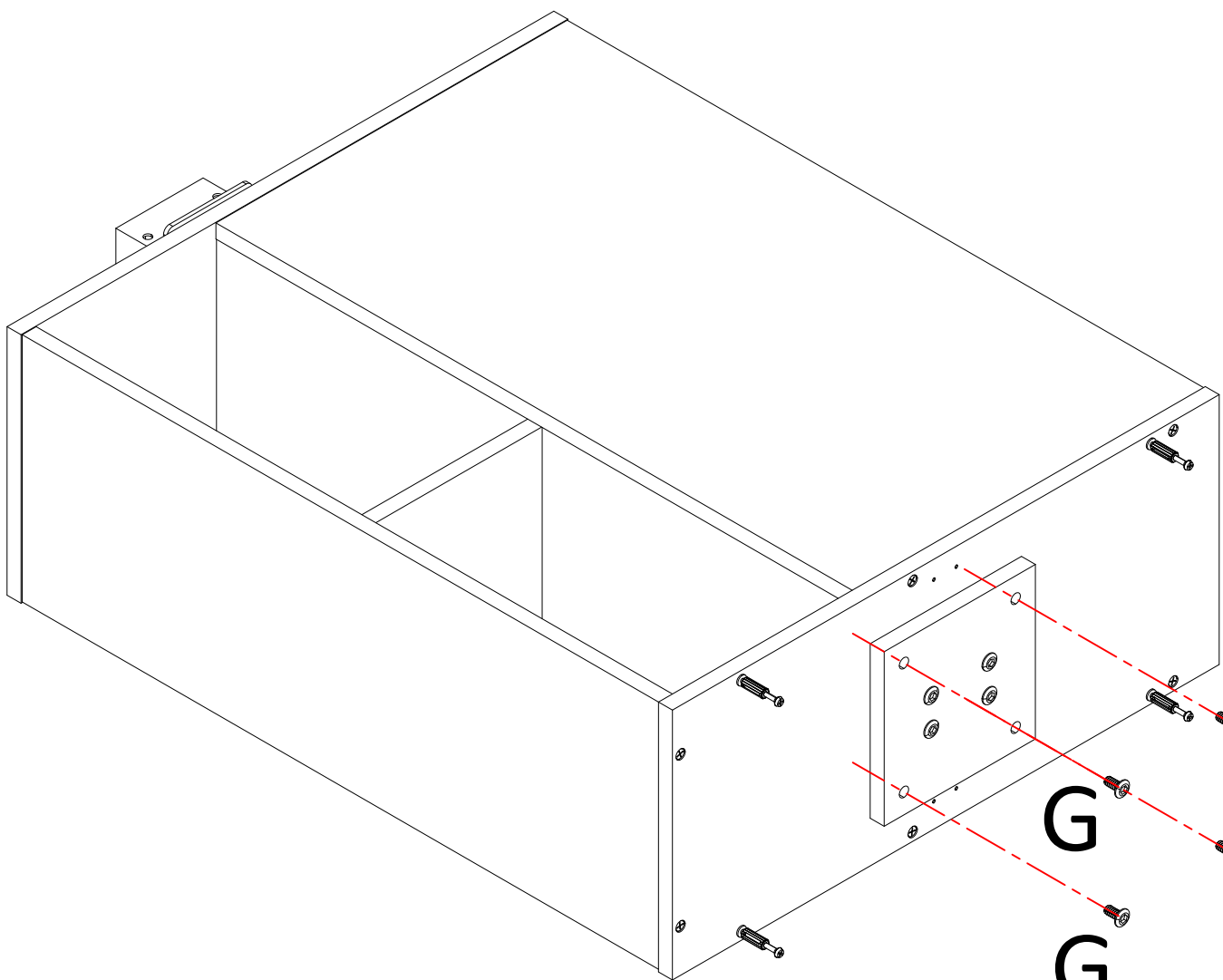
J x4

18

G M6x20



4 PCS

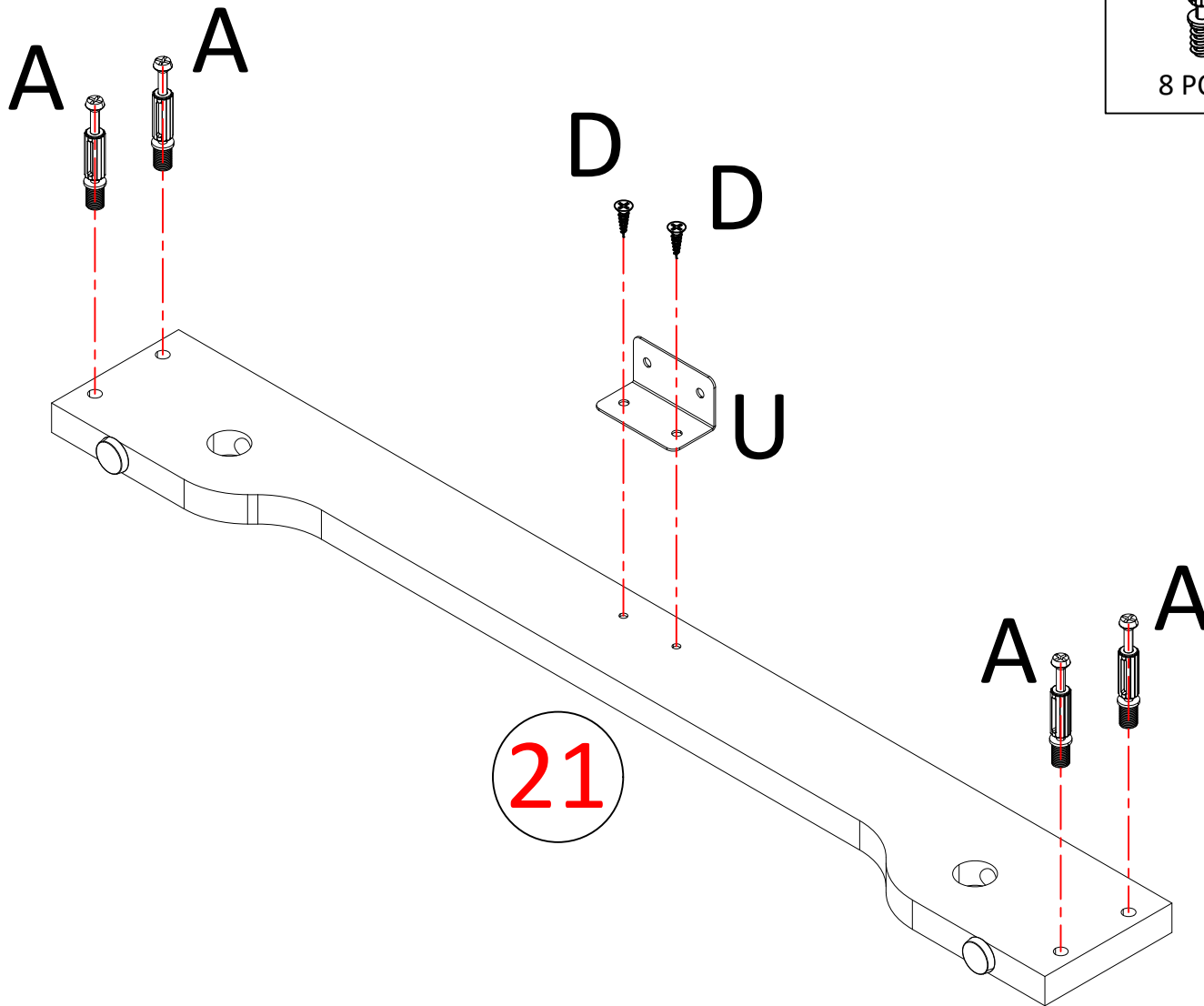


All screws

100%

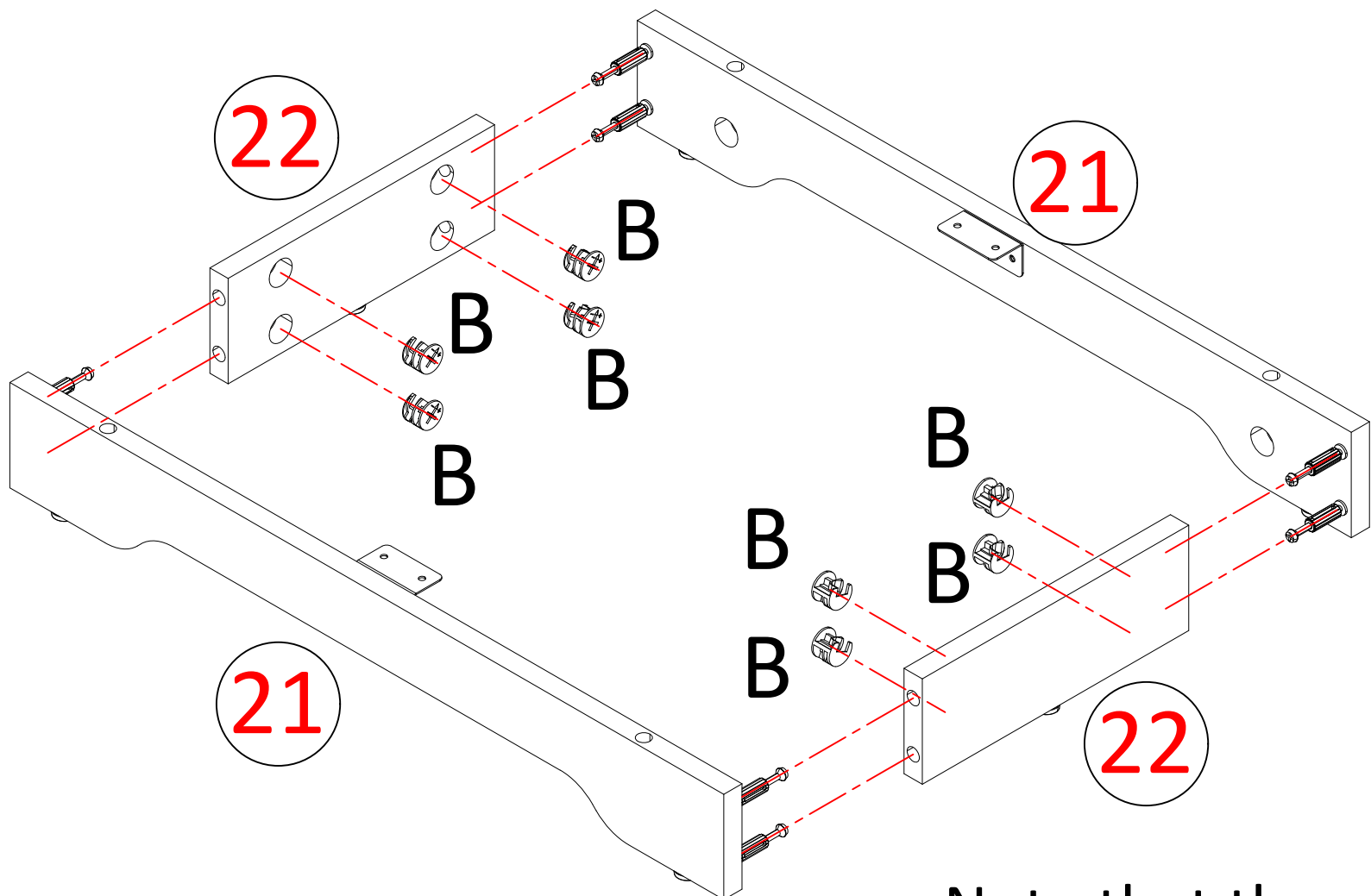
G  
G  
G  
G

19



x2

20



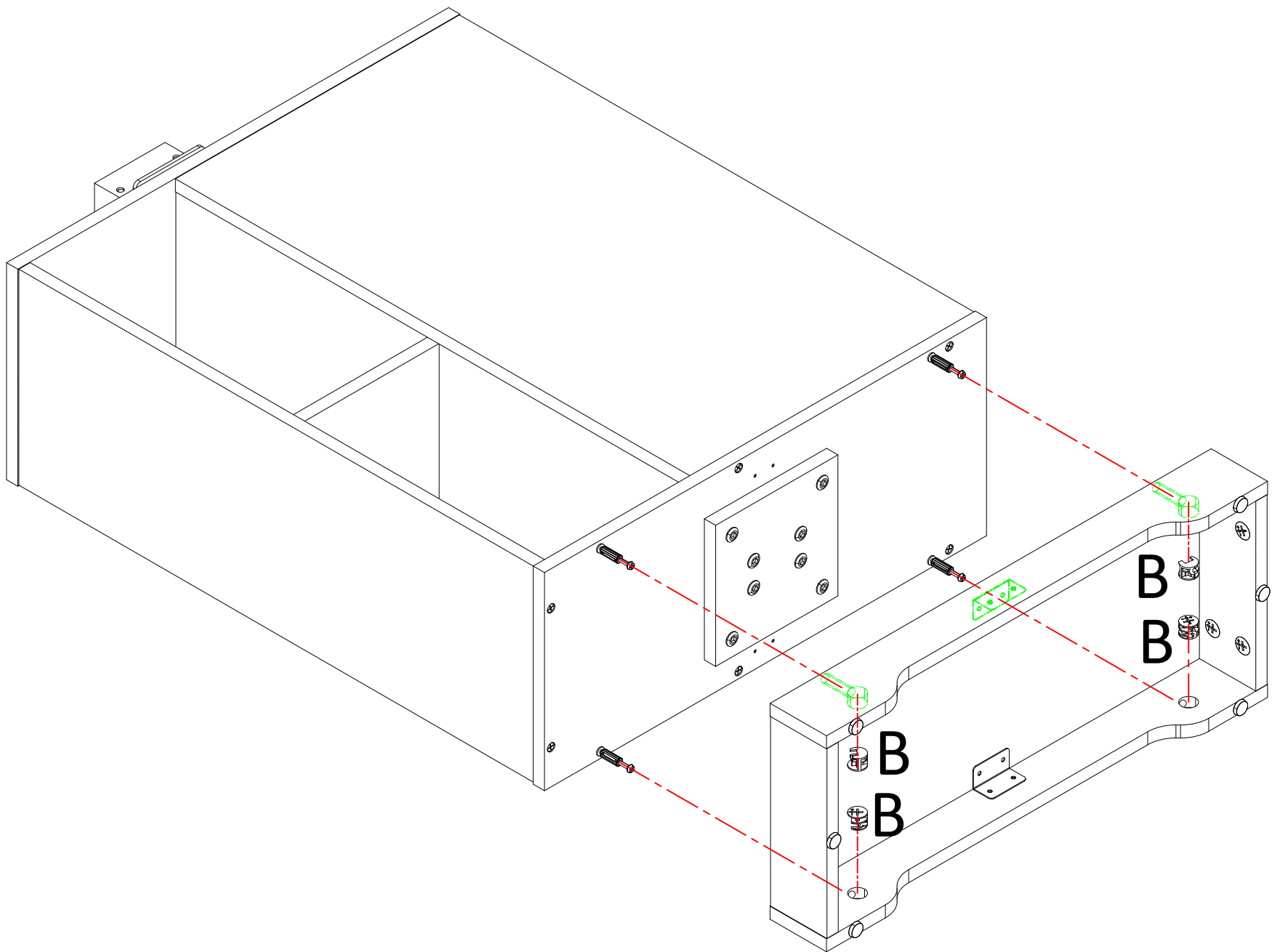
Note that the footpads are all facing down

21

B Ø15x10



4 PCS

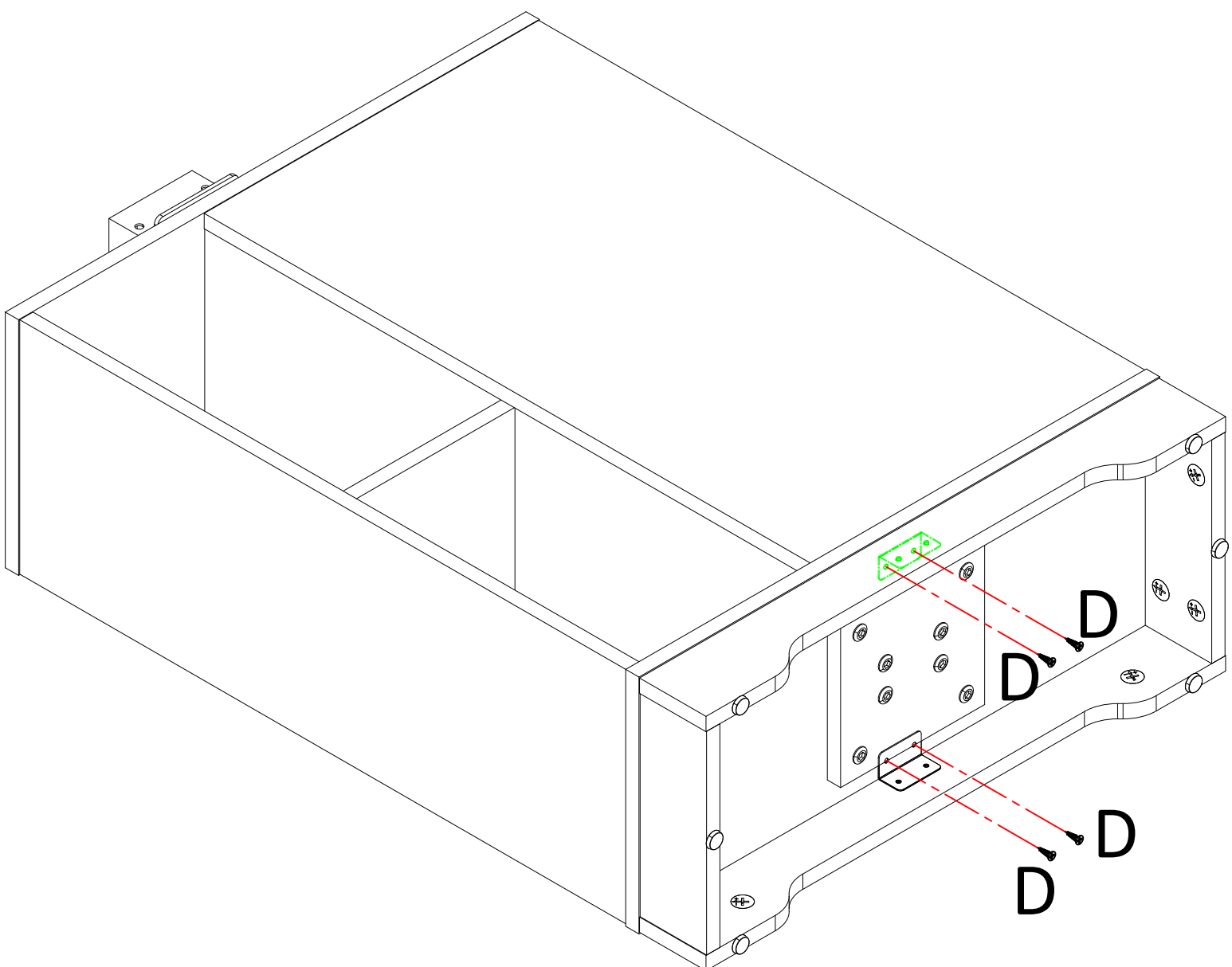


22

D M3.5x12



4 PCS

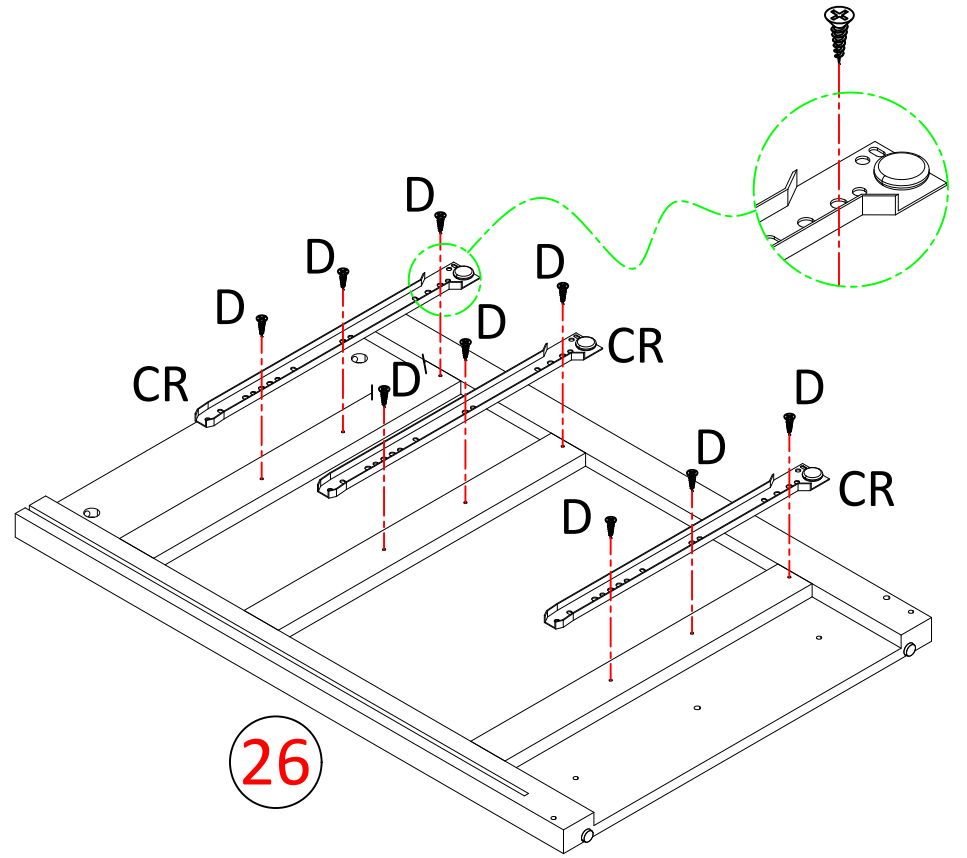
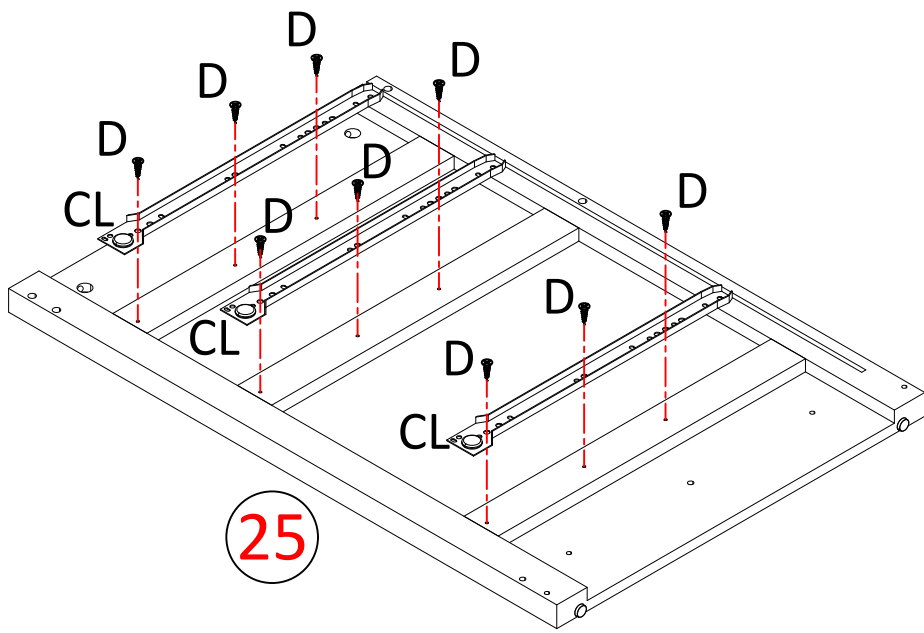
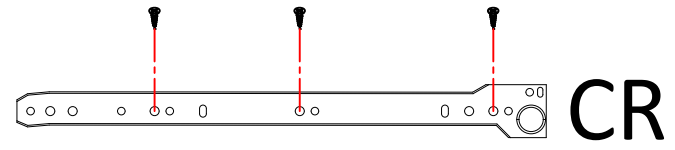
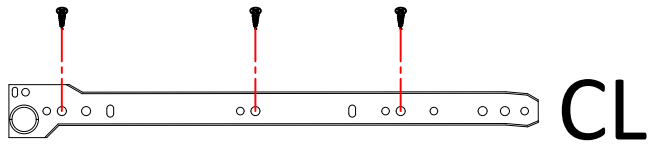


23

D M3.5x12



18 PCS

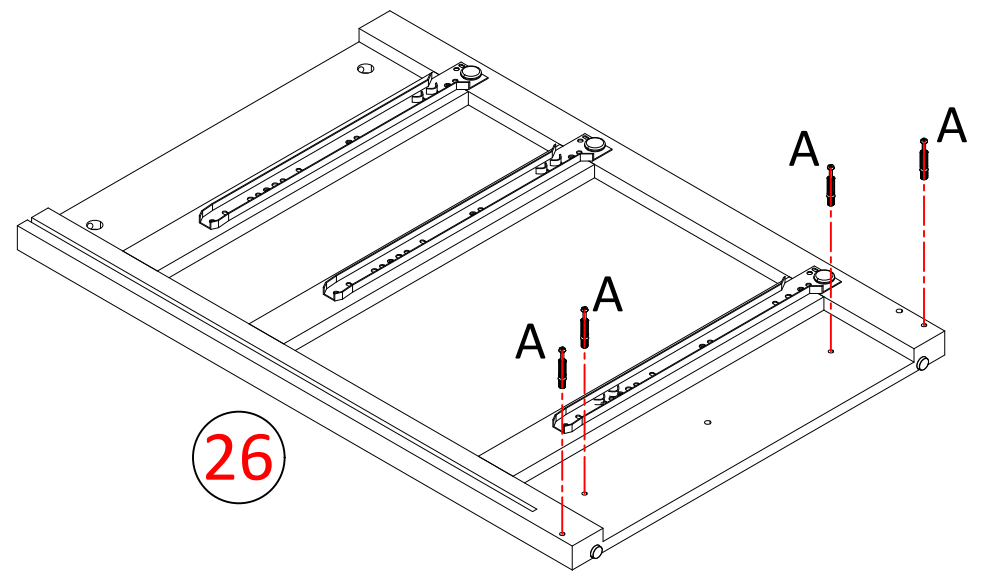
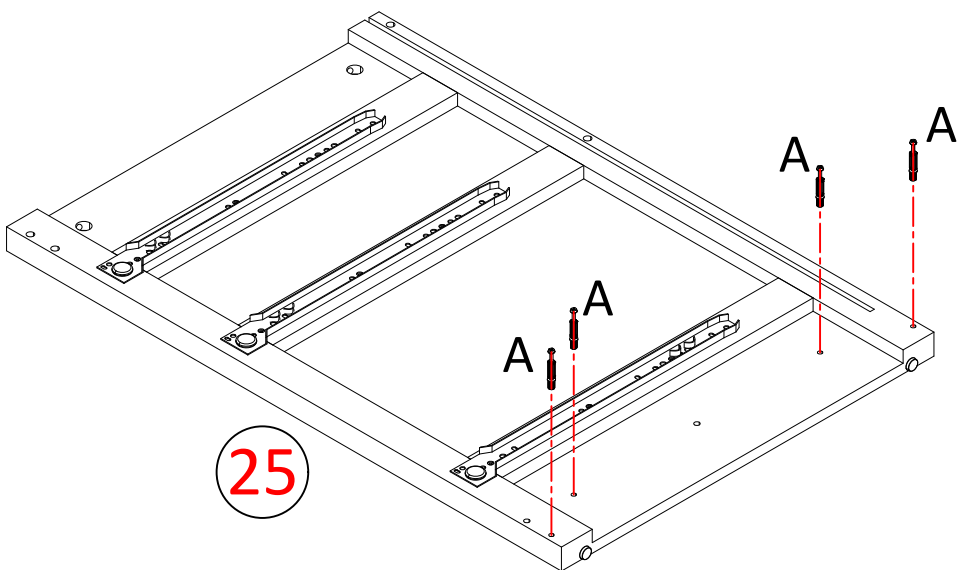


24

A M5x42

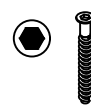


8 PCS



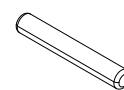
25

C M5x40



2 PCS

P Ø6x40



1 PCS

note

25

32

P

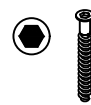
C

C

Pay attention to the direction

26

C M5x40



2 PCS

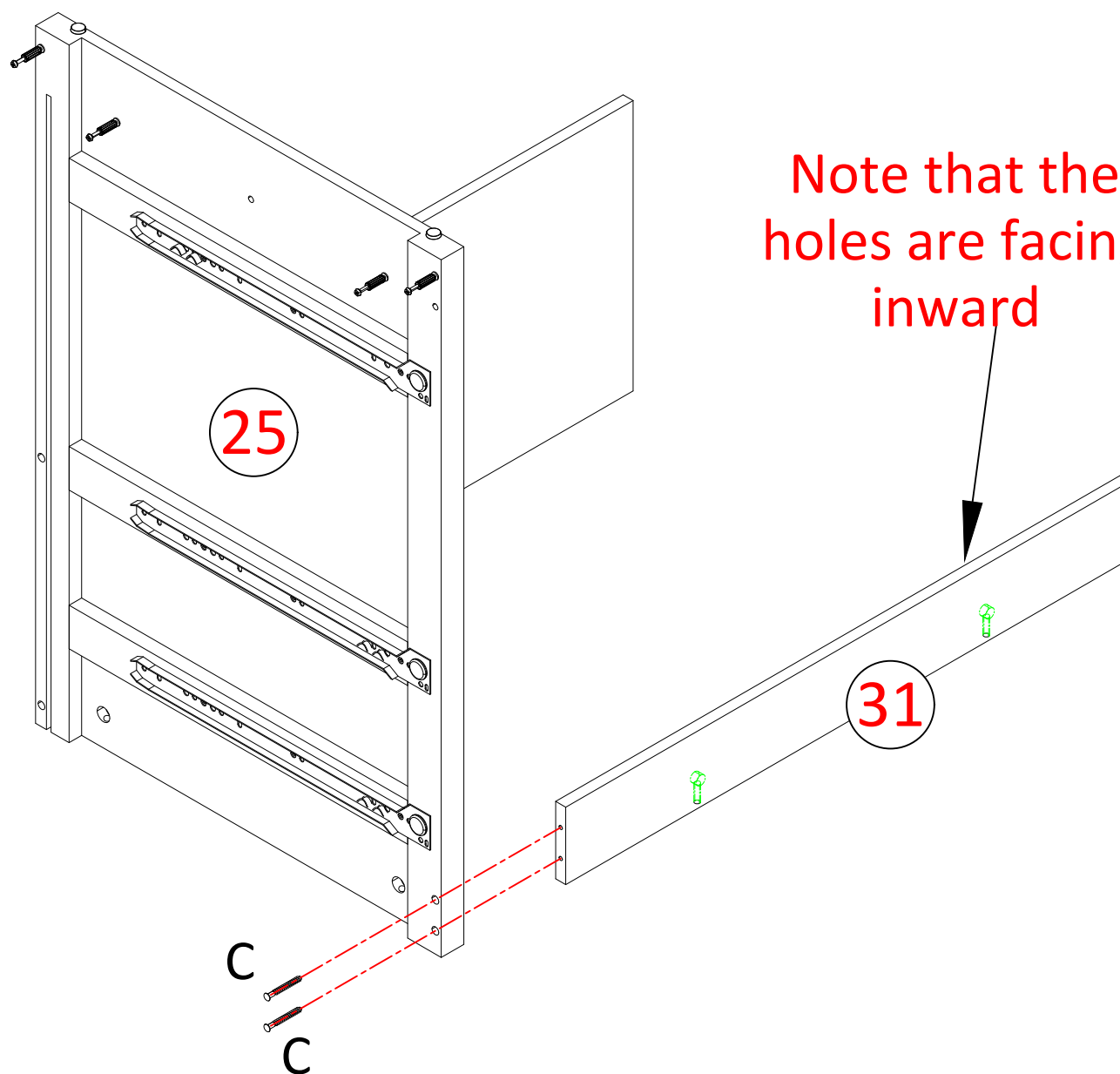
Note that the holes are facing inward

25

31

C

C



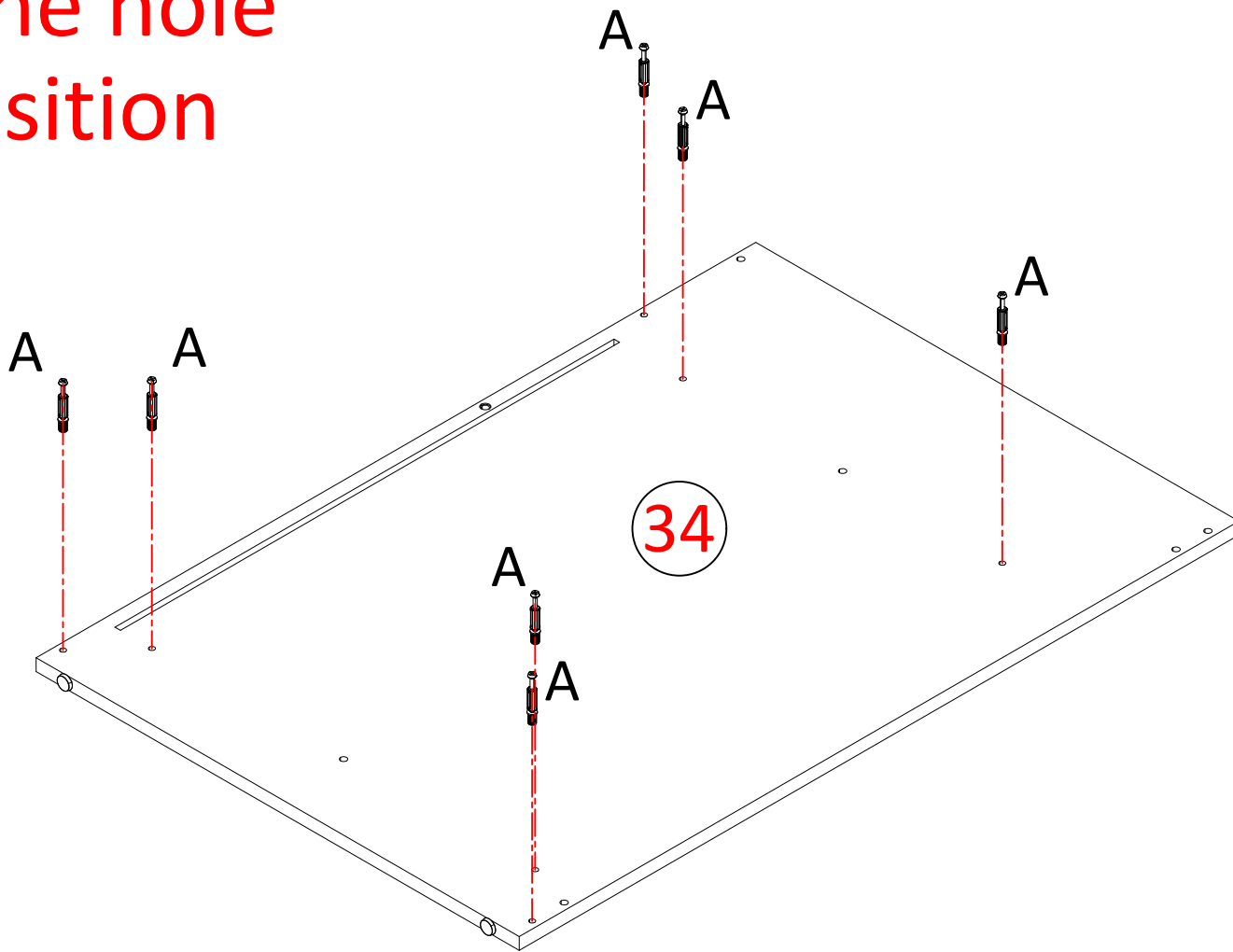
27

Pay attention  
to the hole  
position

A M5x42

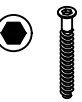


7 PCS



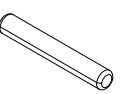
28

C M5x40

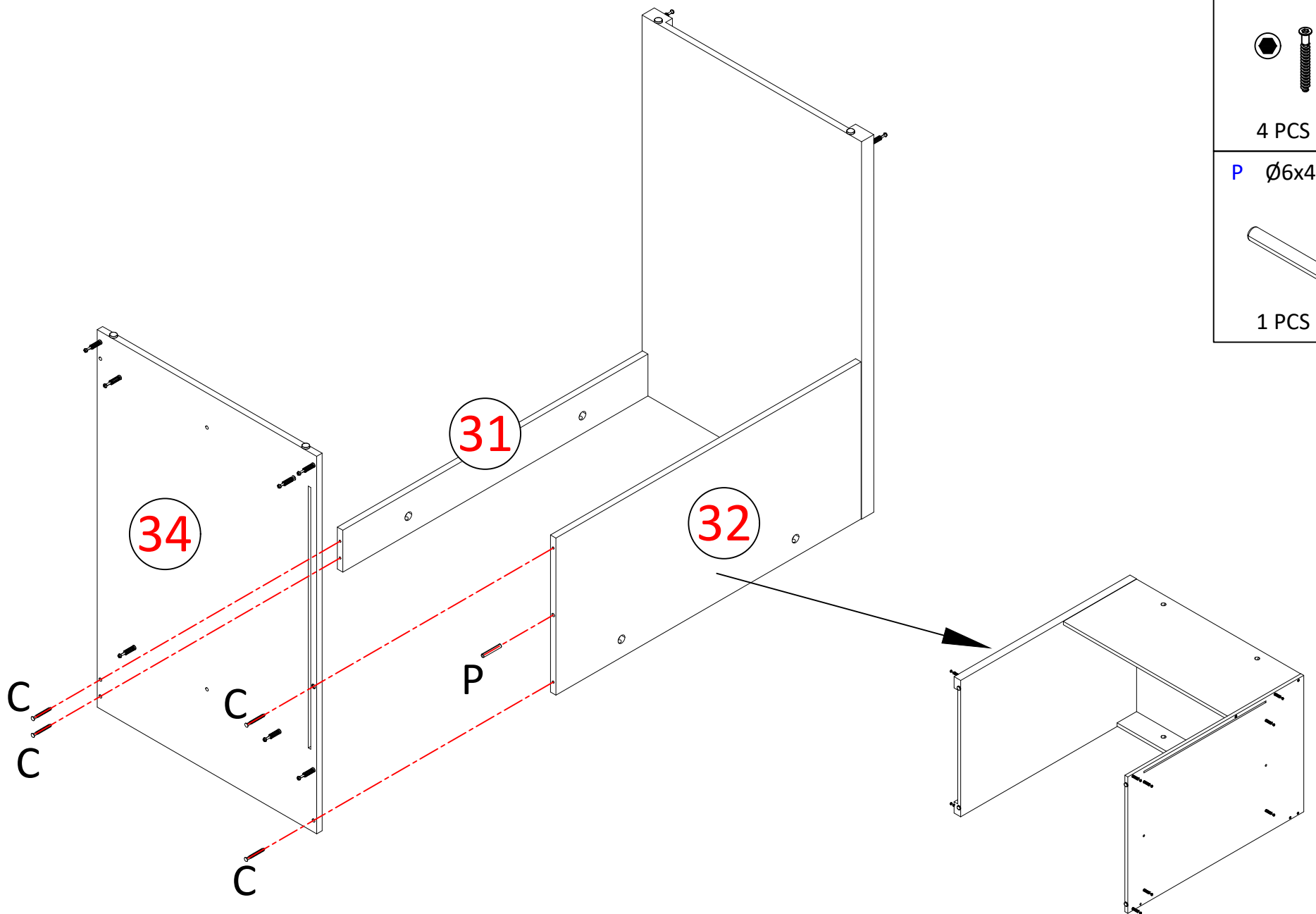


4 PCS

P Ø6x40

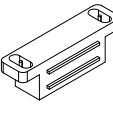
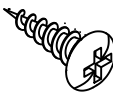



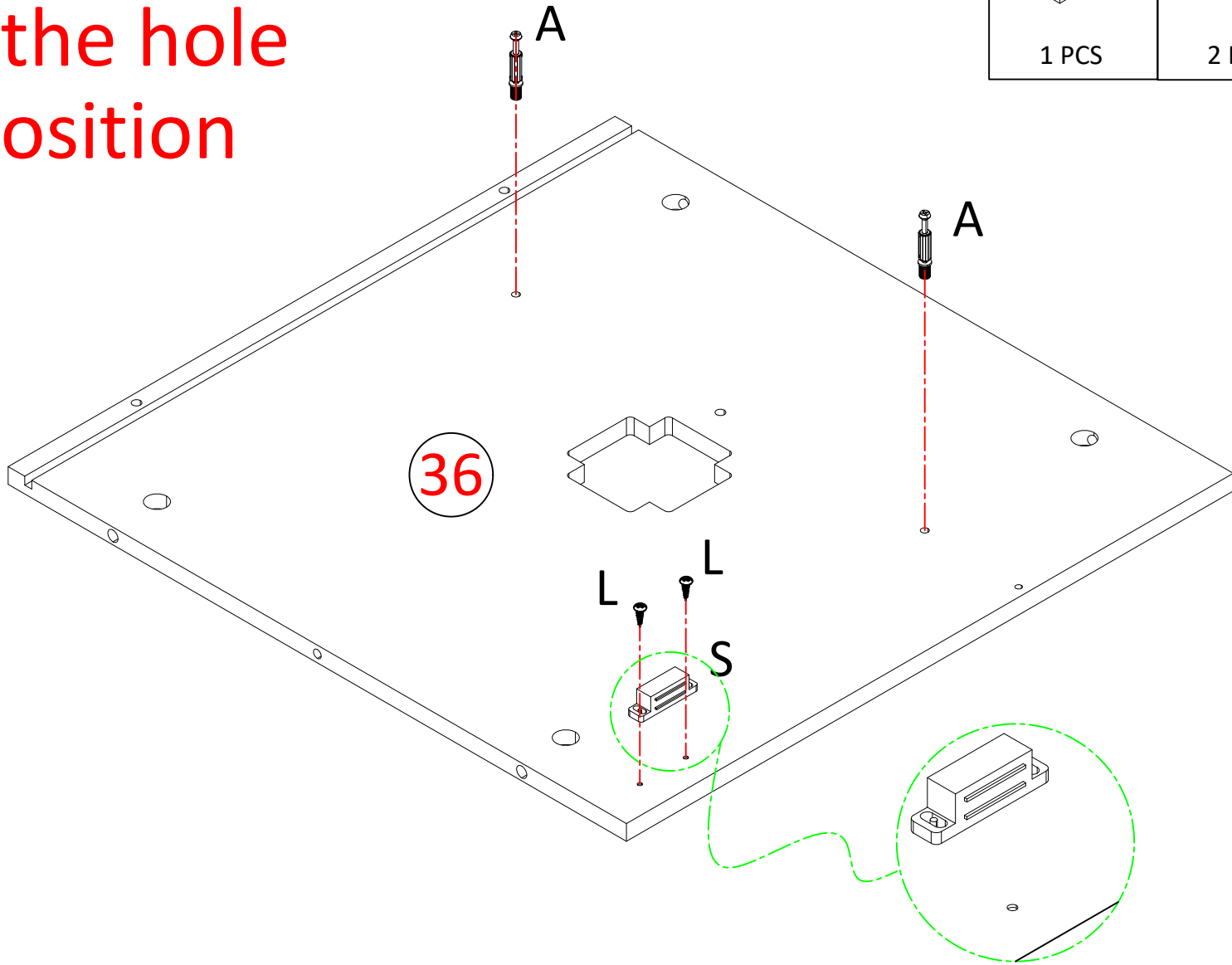
1 PCS



29

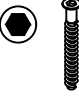
Pay attention to the hole position

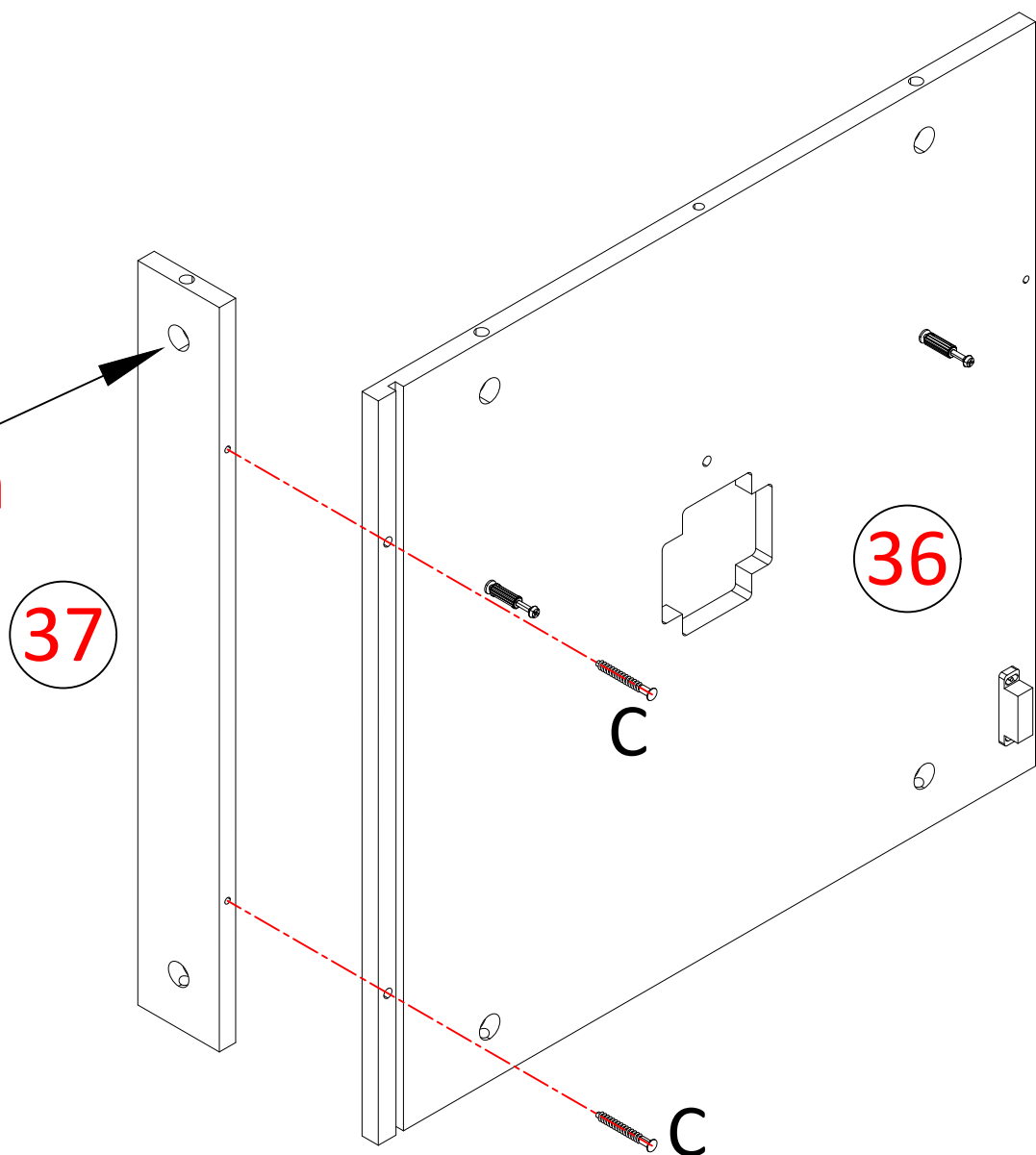
S	L M3x14	A M5x42
		
1 PCS	2 PCS	2 PCS



30

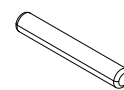
Pay attention to the direction

C M5x40

2 PCS

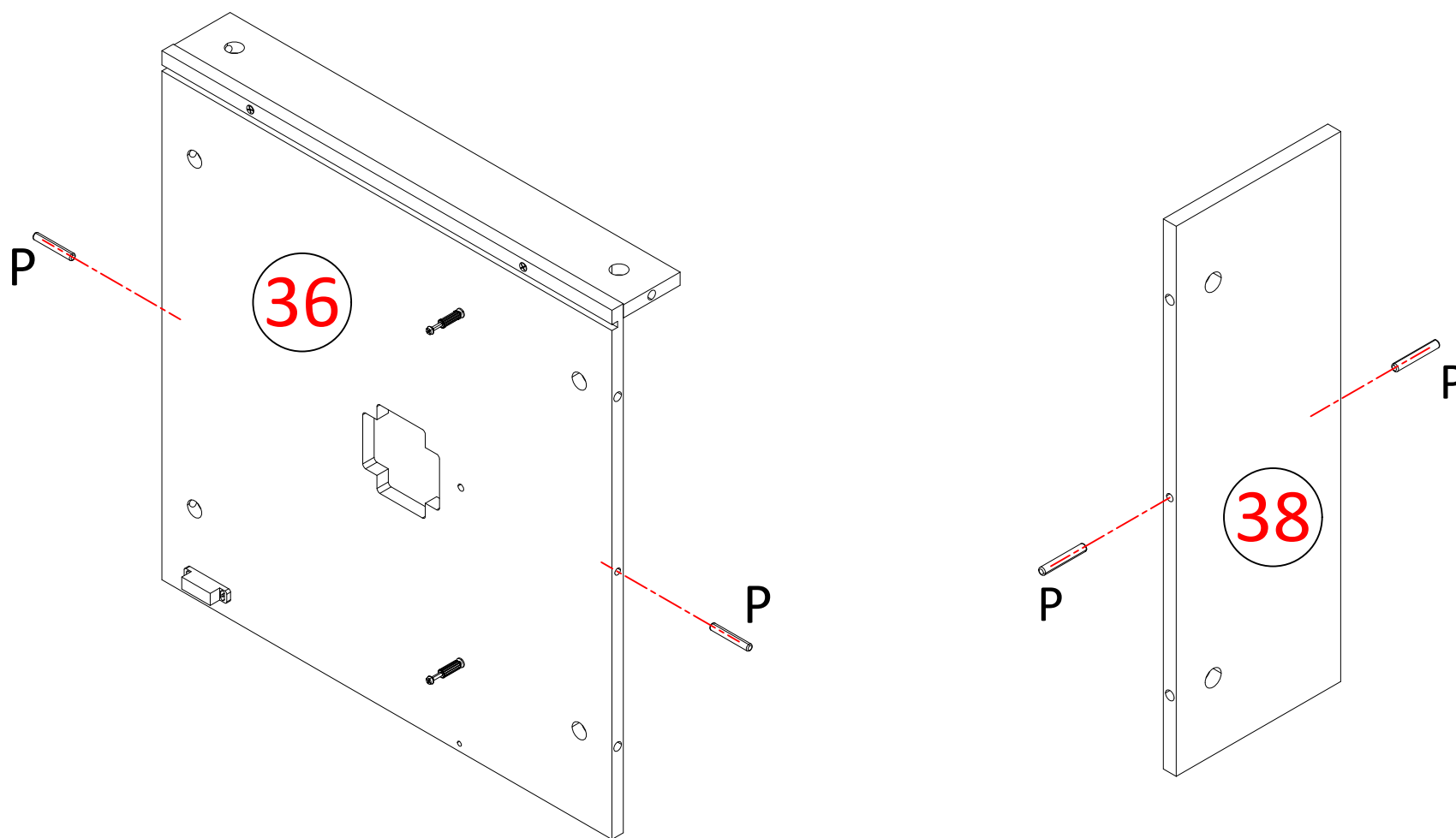


31

P Ø6x40



4 PCS

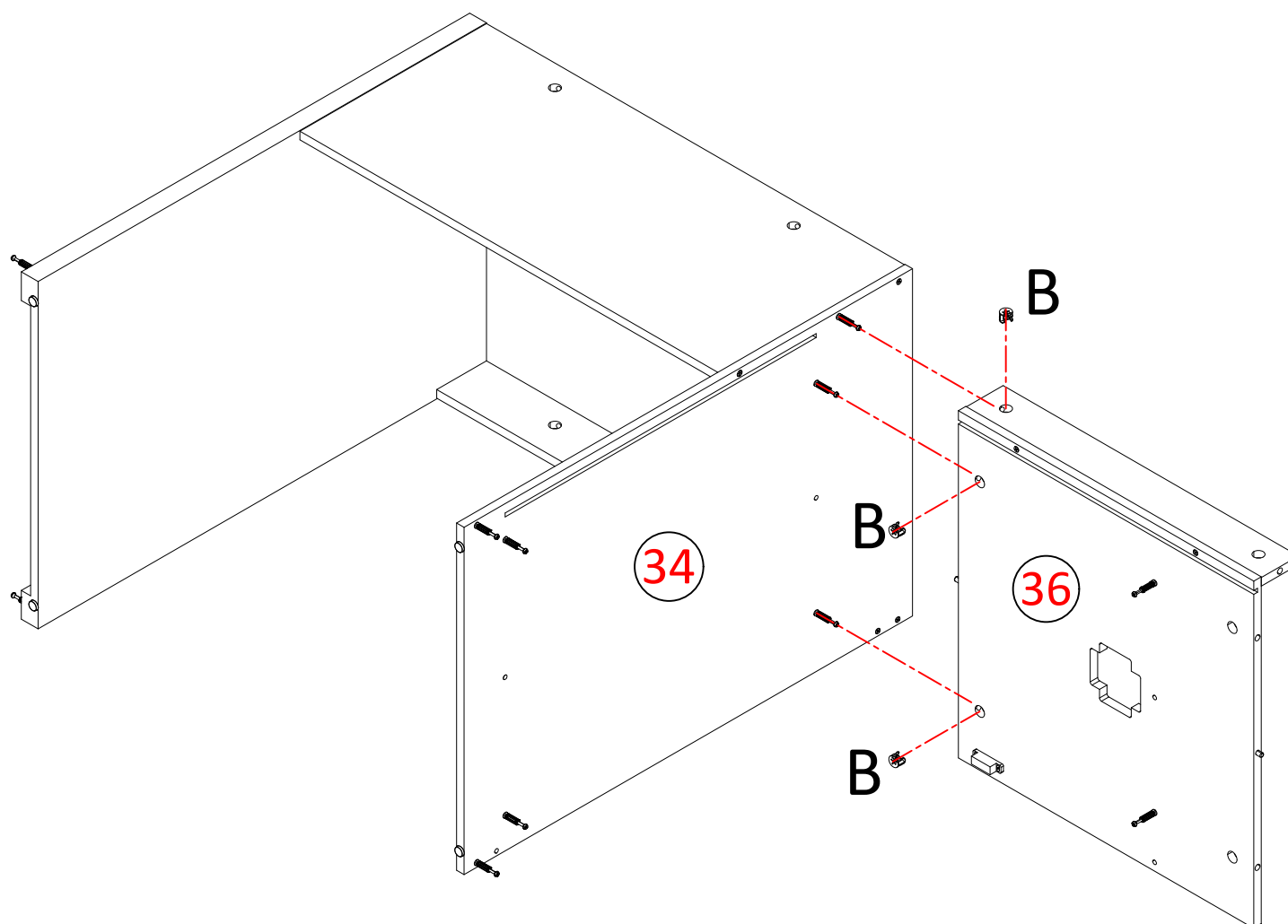


32

B Ø15x10

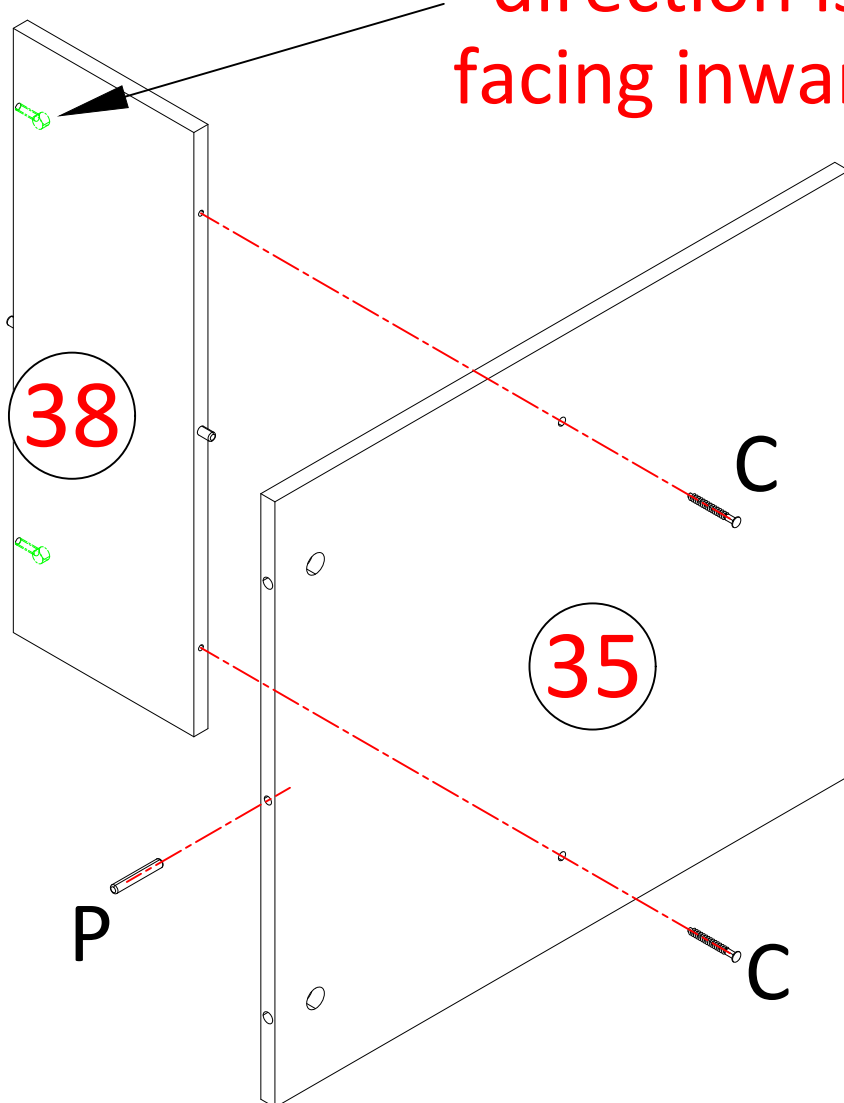


3 PCS

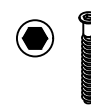


33

Note that the direction is facing inward

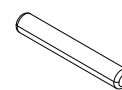


C M5x40



2 PCS

P Ø6x40

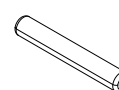


1 PCS

34

P Ø6x40

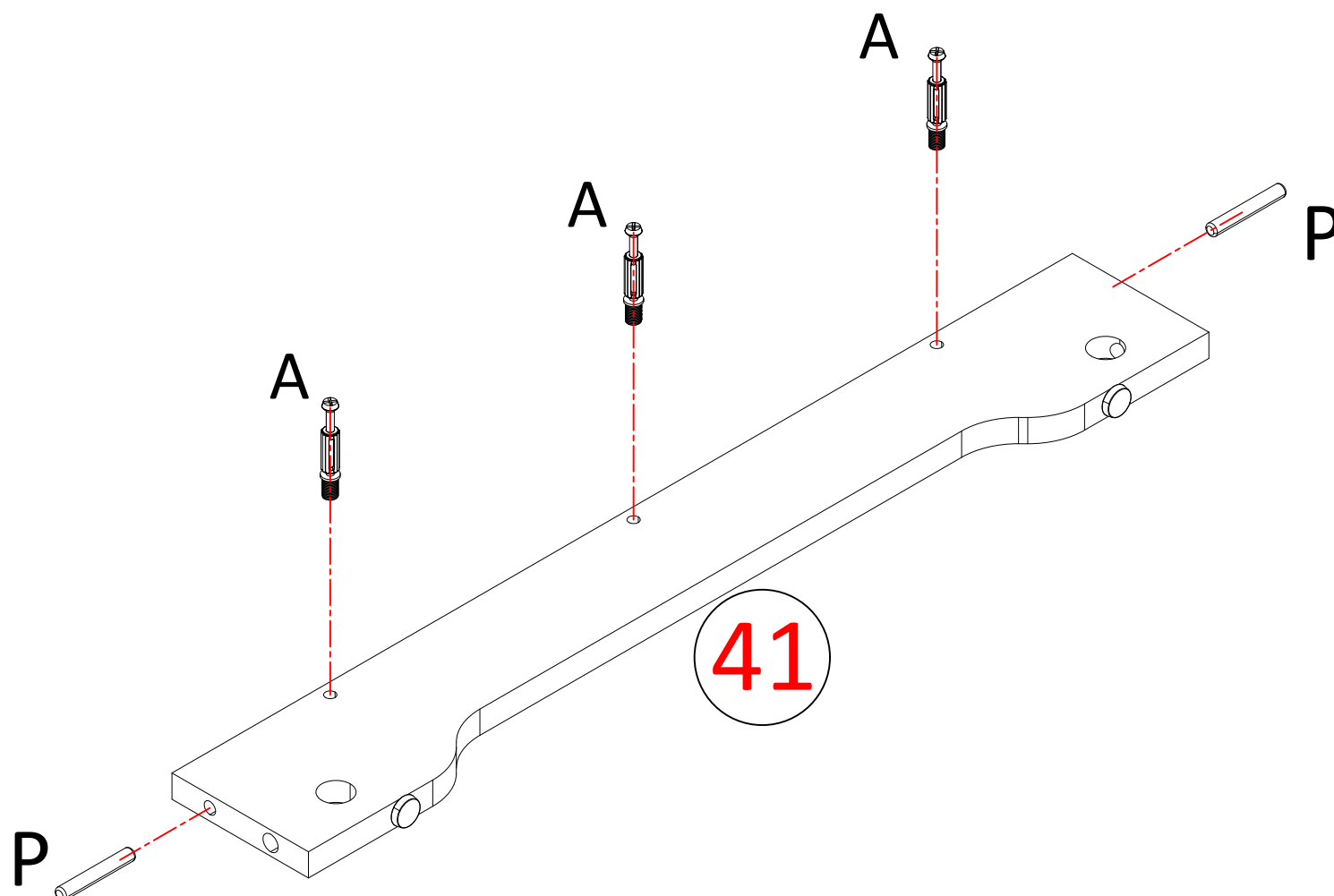
A M5x42



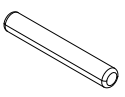
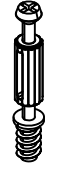
2 PCS

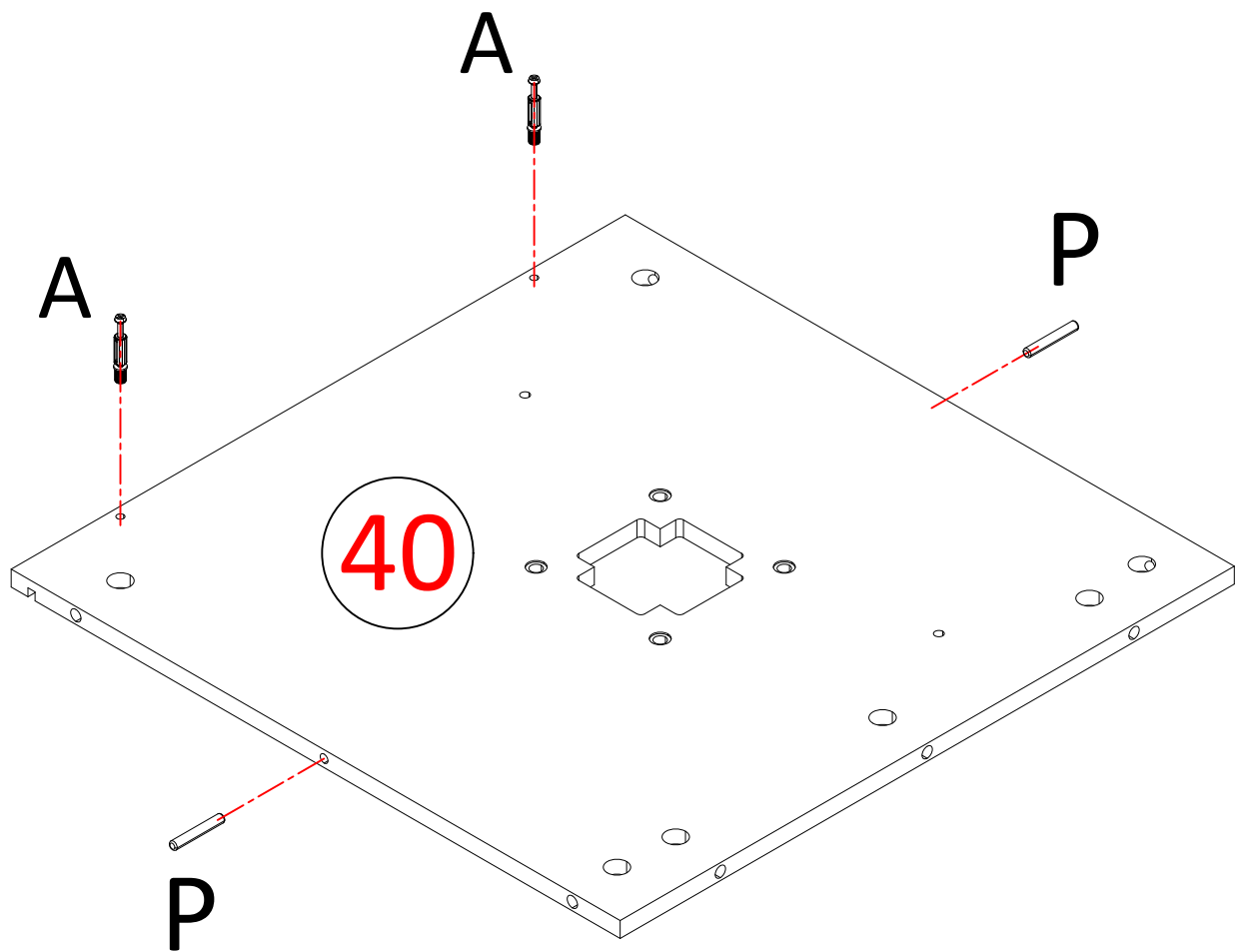


3 PCS




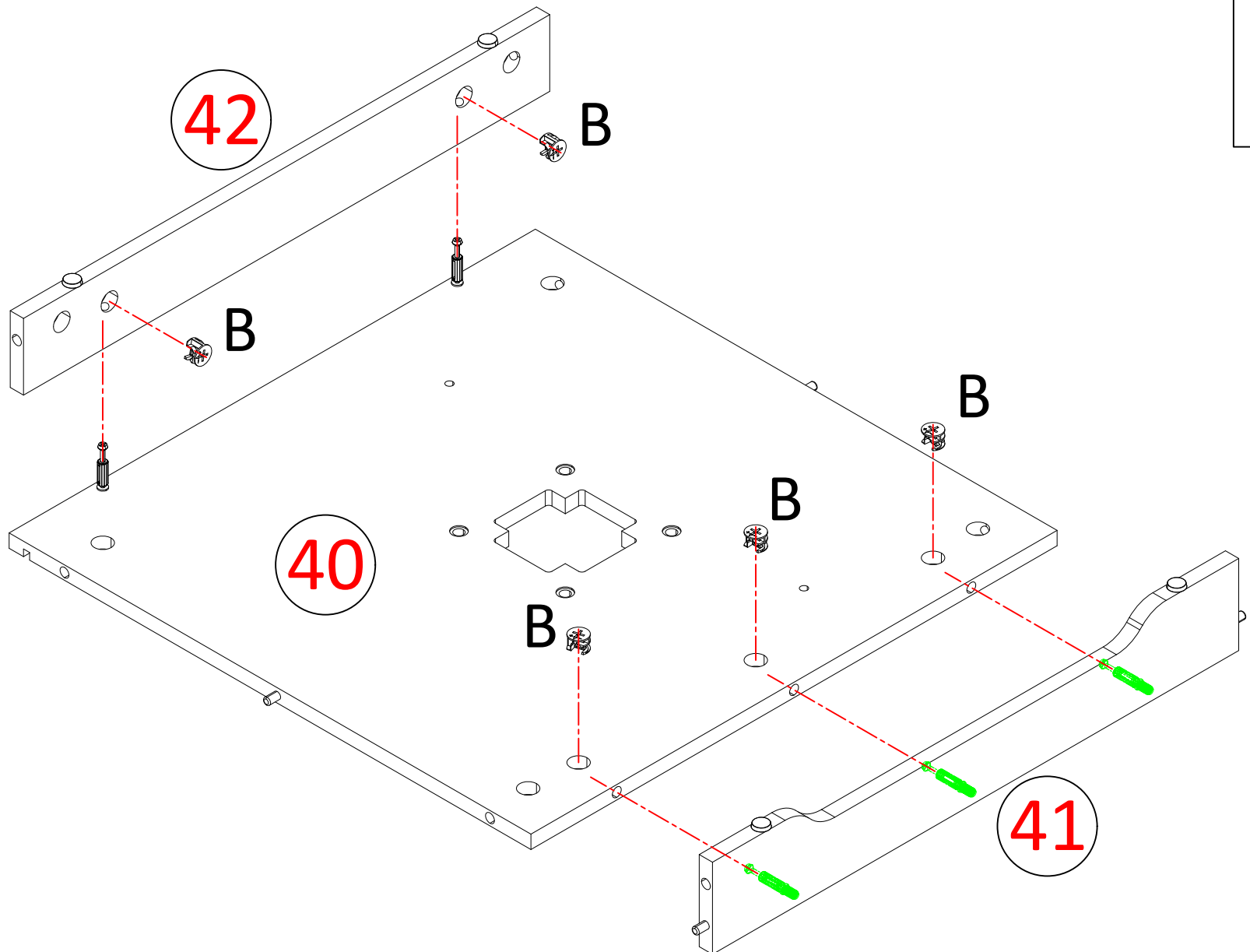
35

P $\varnothing 6 \times 40$	A M5x42
	
2 PCS	2 PCS

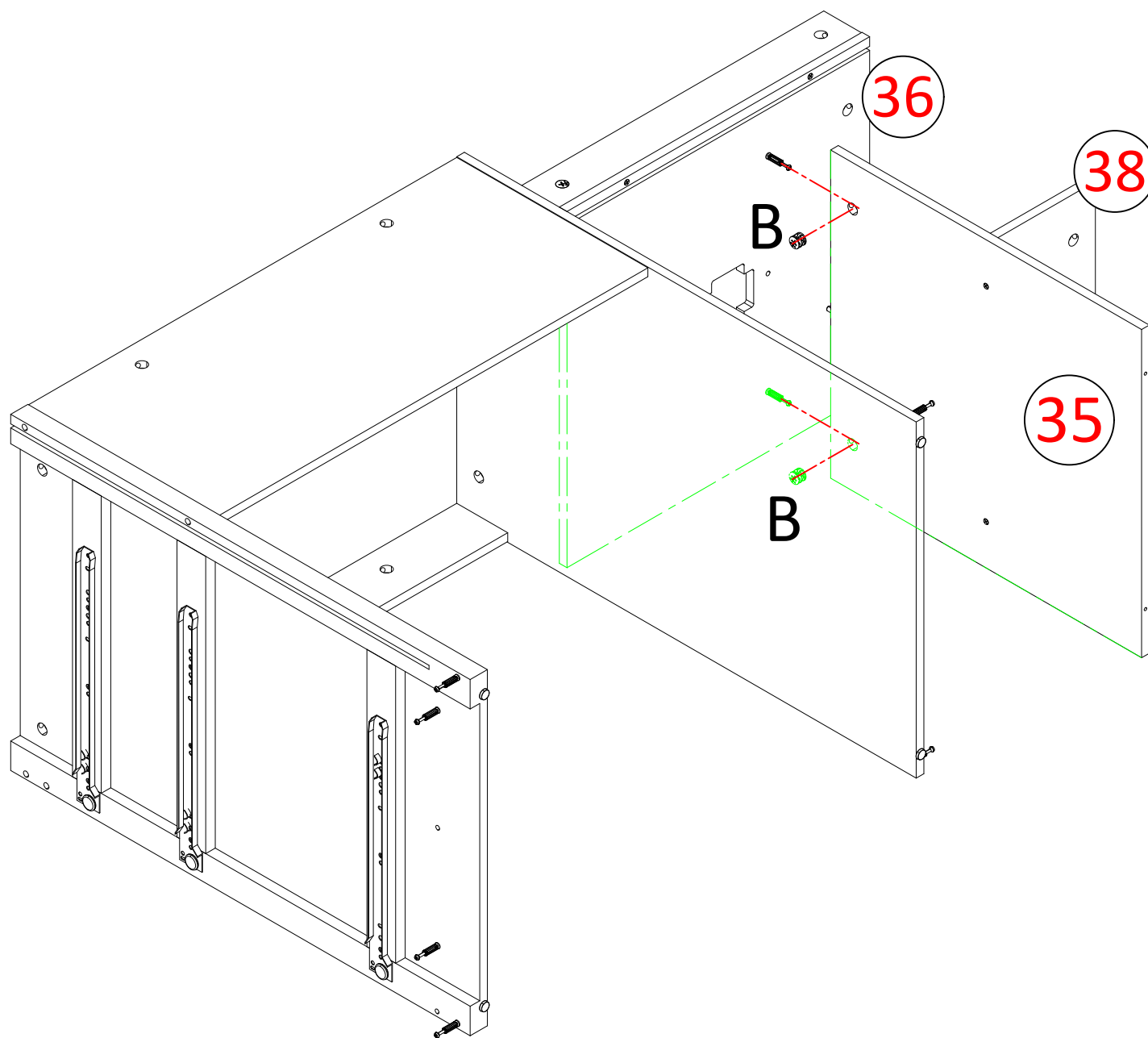


36

B $\varnothing 15 \times 10$

5 PCS



37

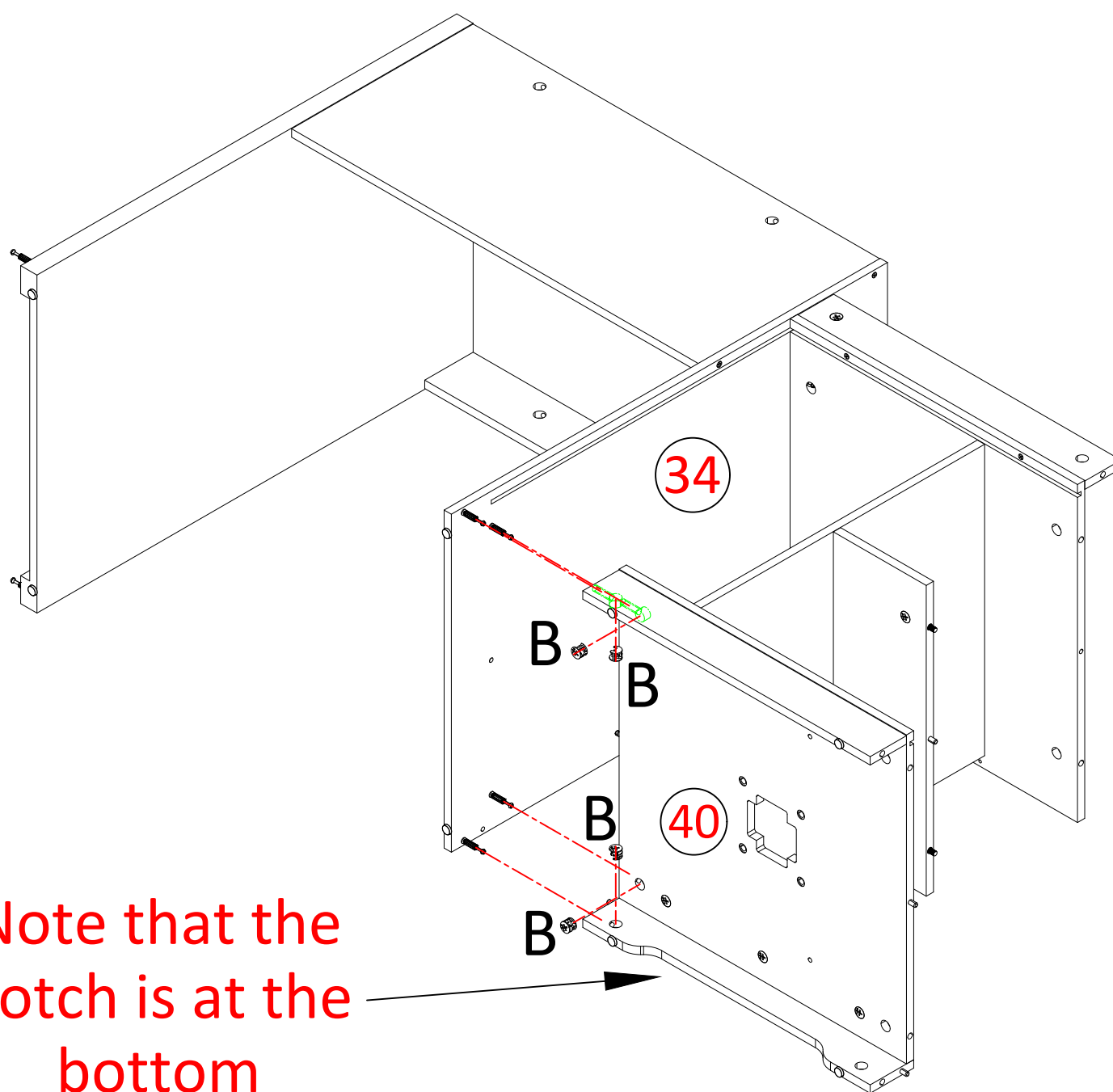


B Ø15x10



2 PCS

38



B Ø15x10

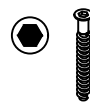


4 PCS

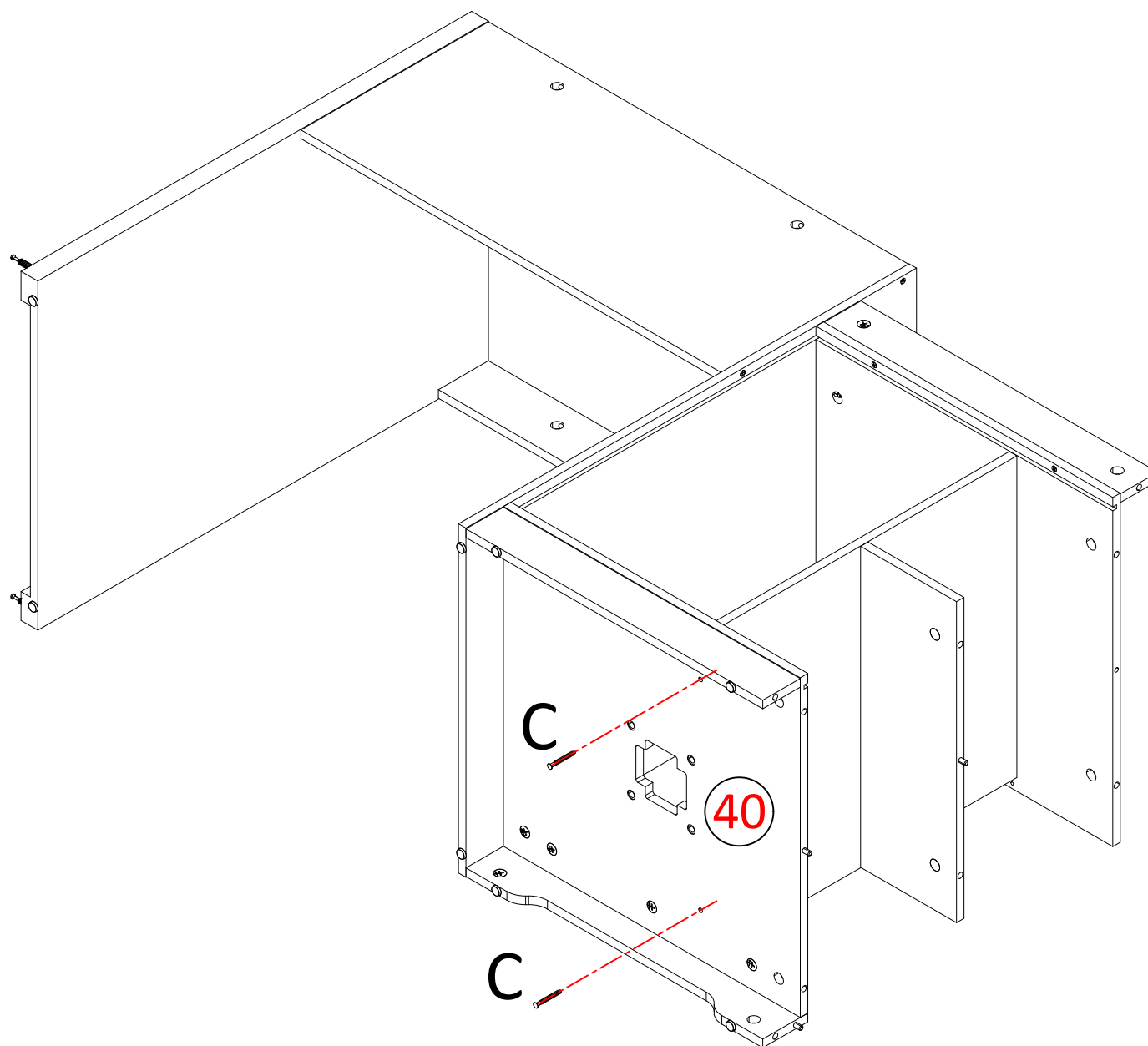
Note that the notch is at the bottom

39

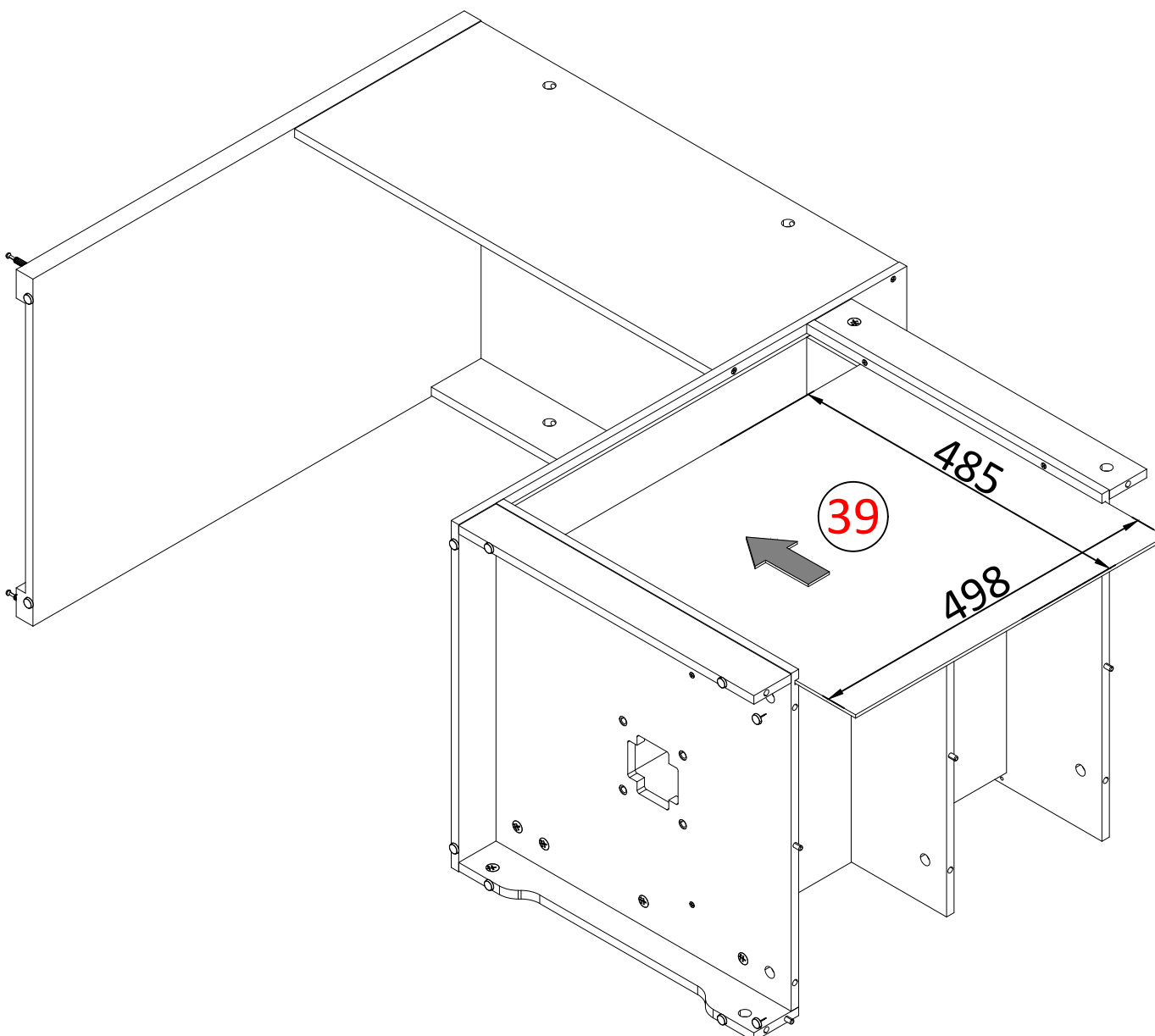
C M5x40



2 PCS



40

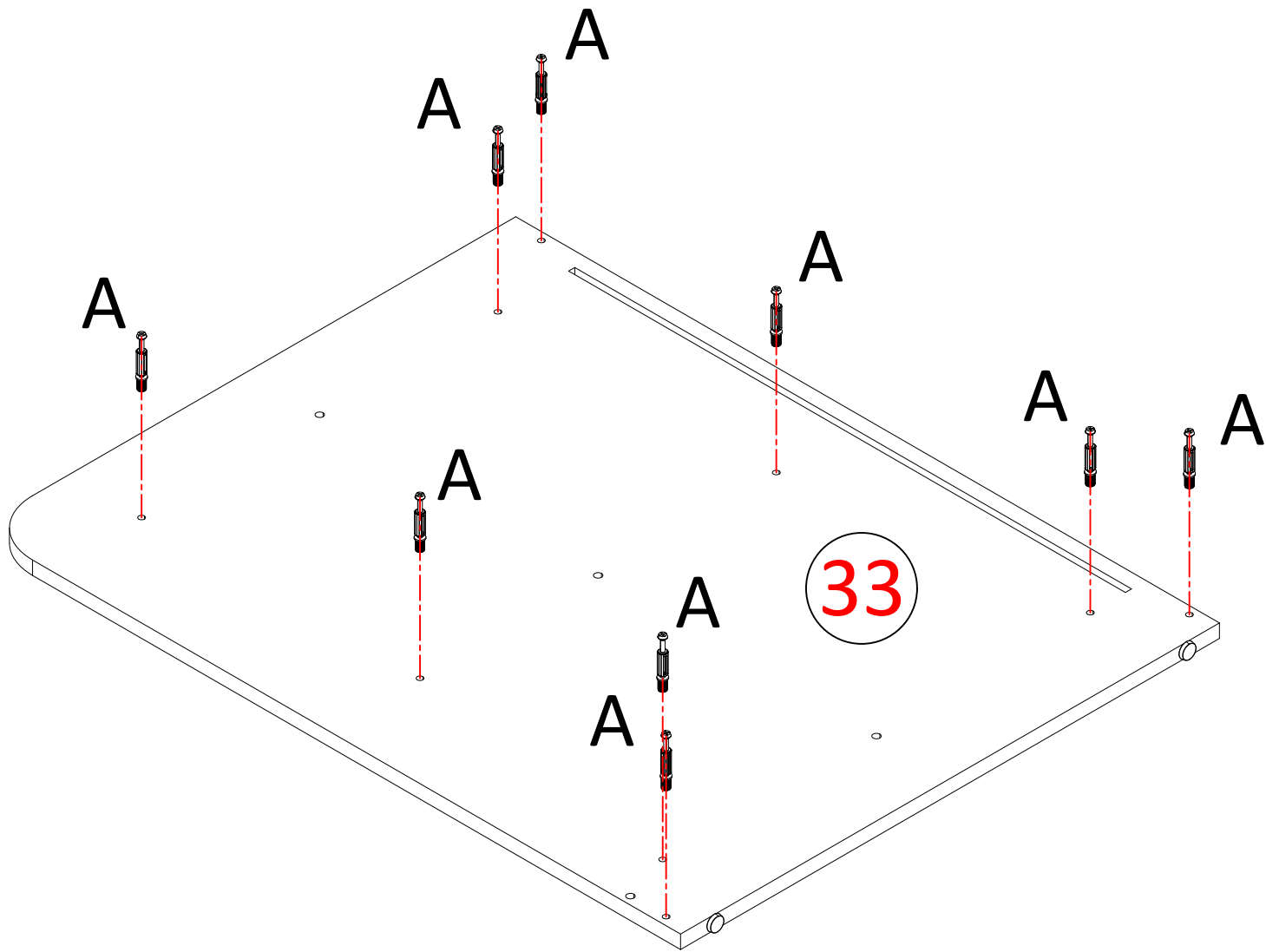


41

A M5x42



9 PCS

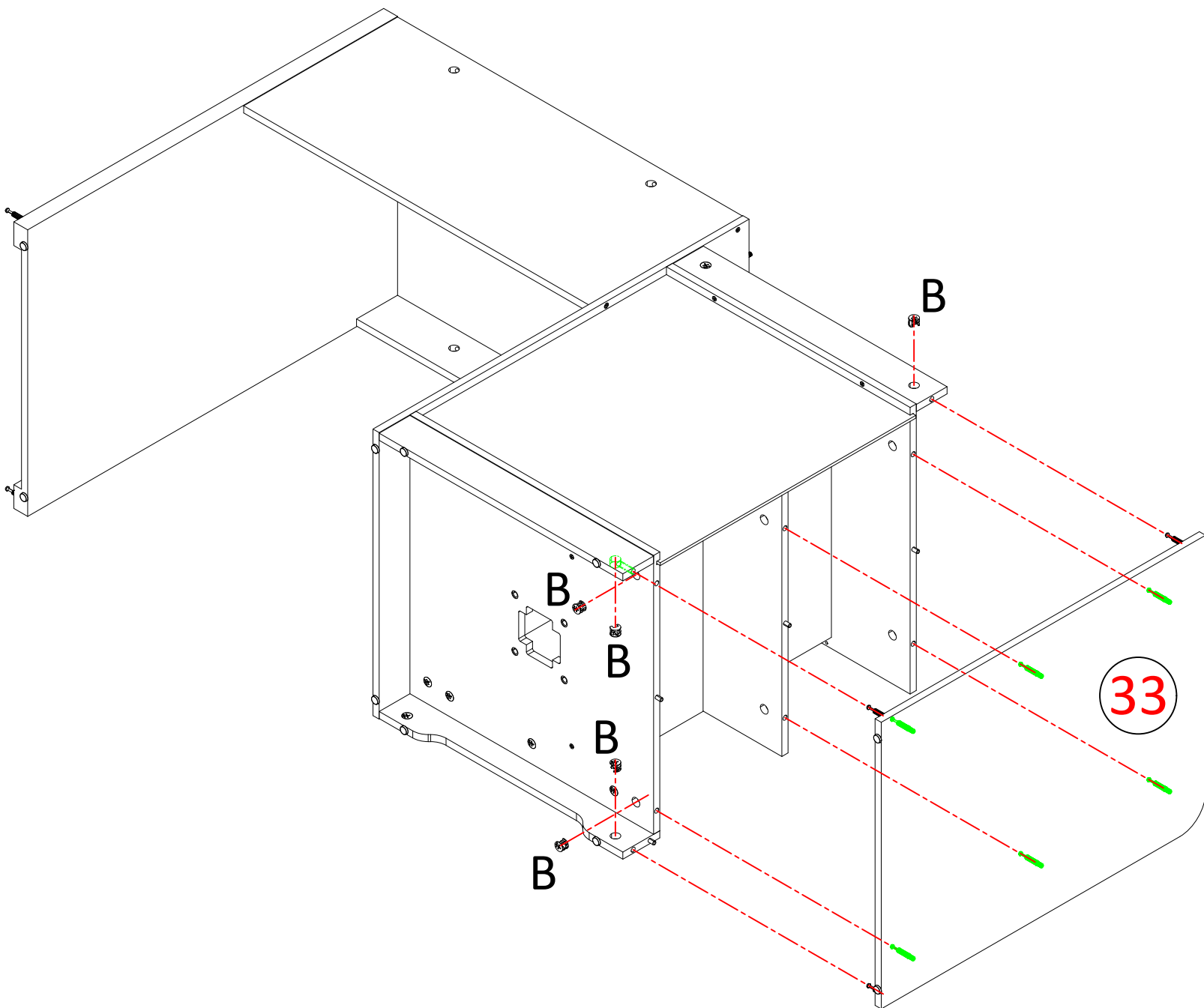


42

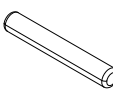
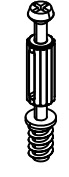
B Ø15x10

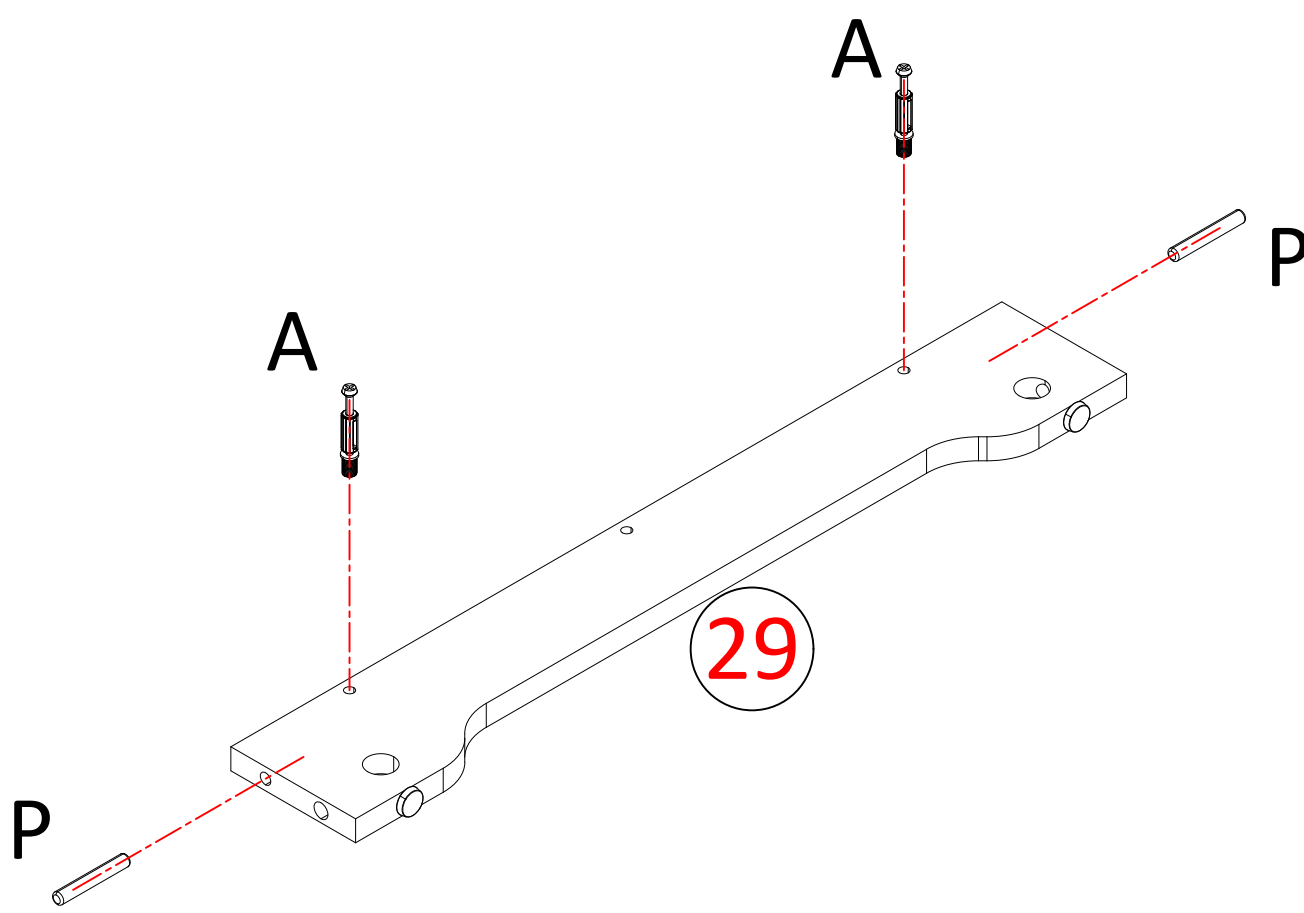


5 PCS

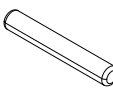
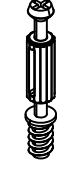


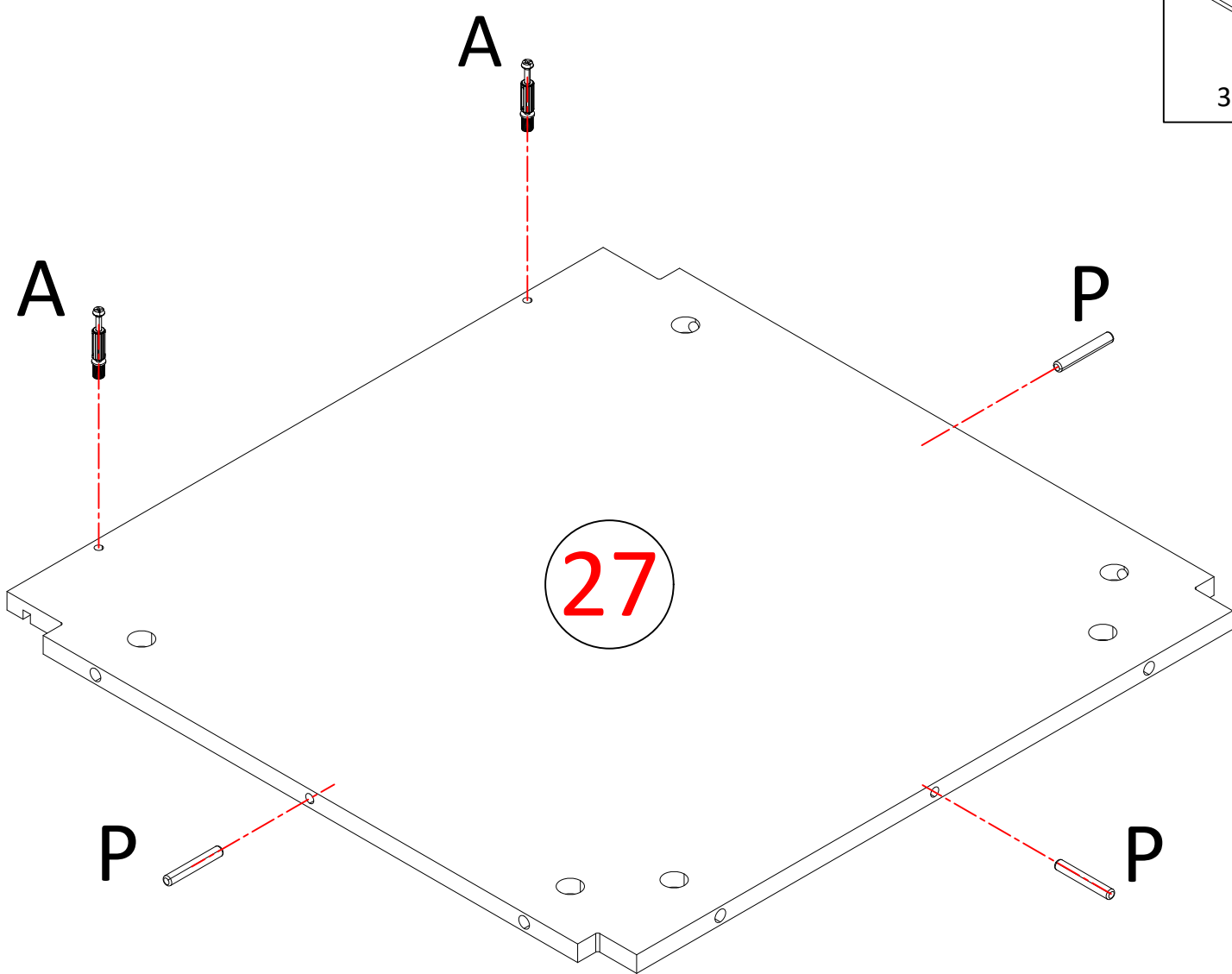
43

<b>P</b> Ø6x40	<b>A</b> M5x42
	
2 PCS	2 PCS



44

<b>P</b> Ø6x40	<b>A</b> M5x42
	
3 PCS	2 PCS

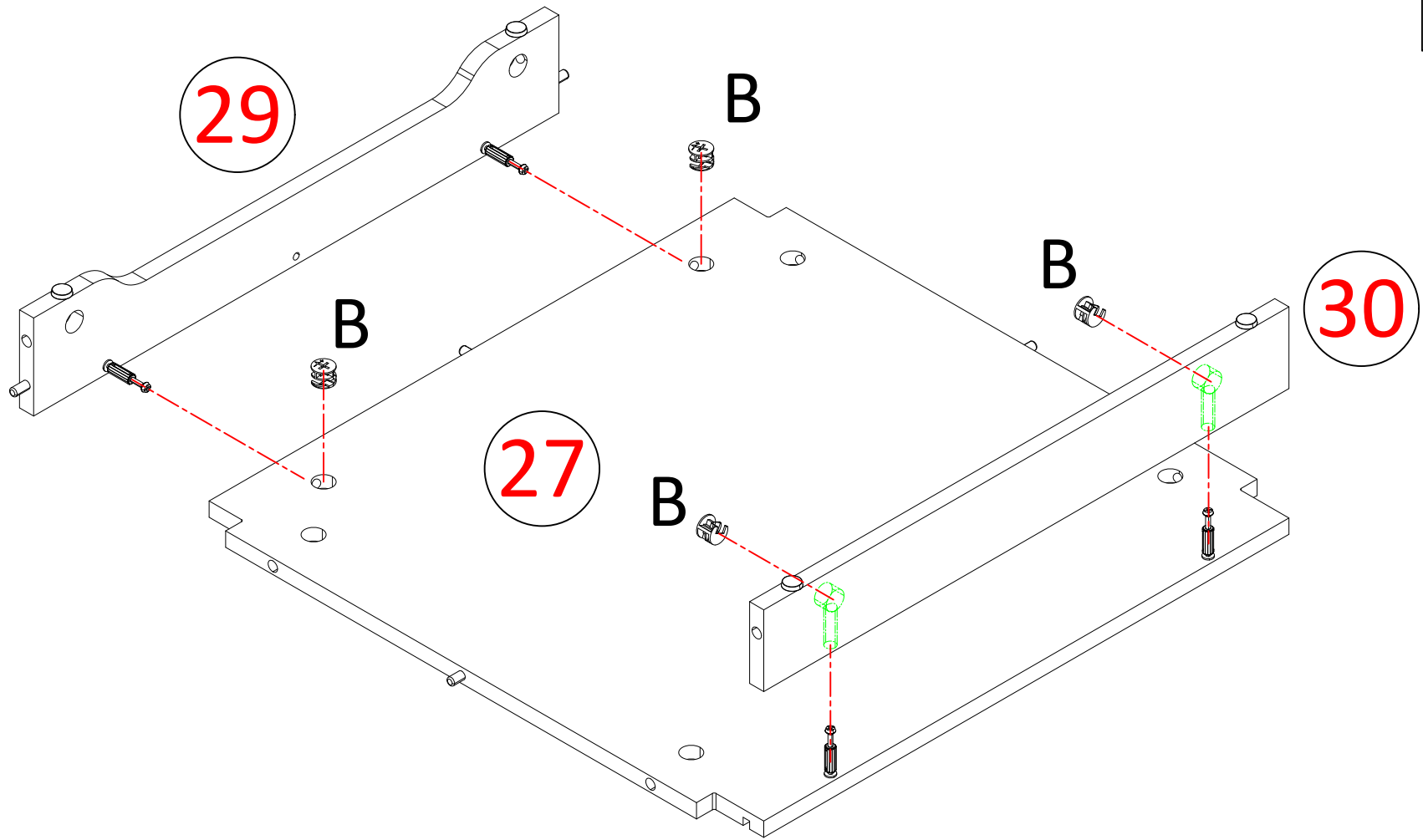


45

B Ø15x10



4 PCS

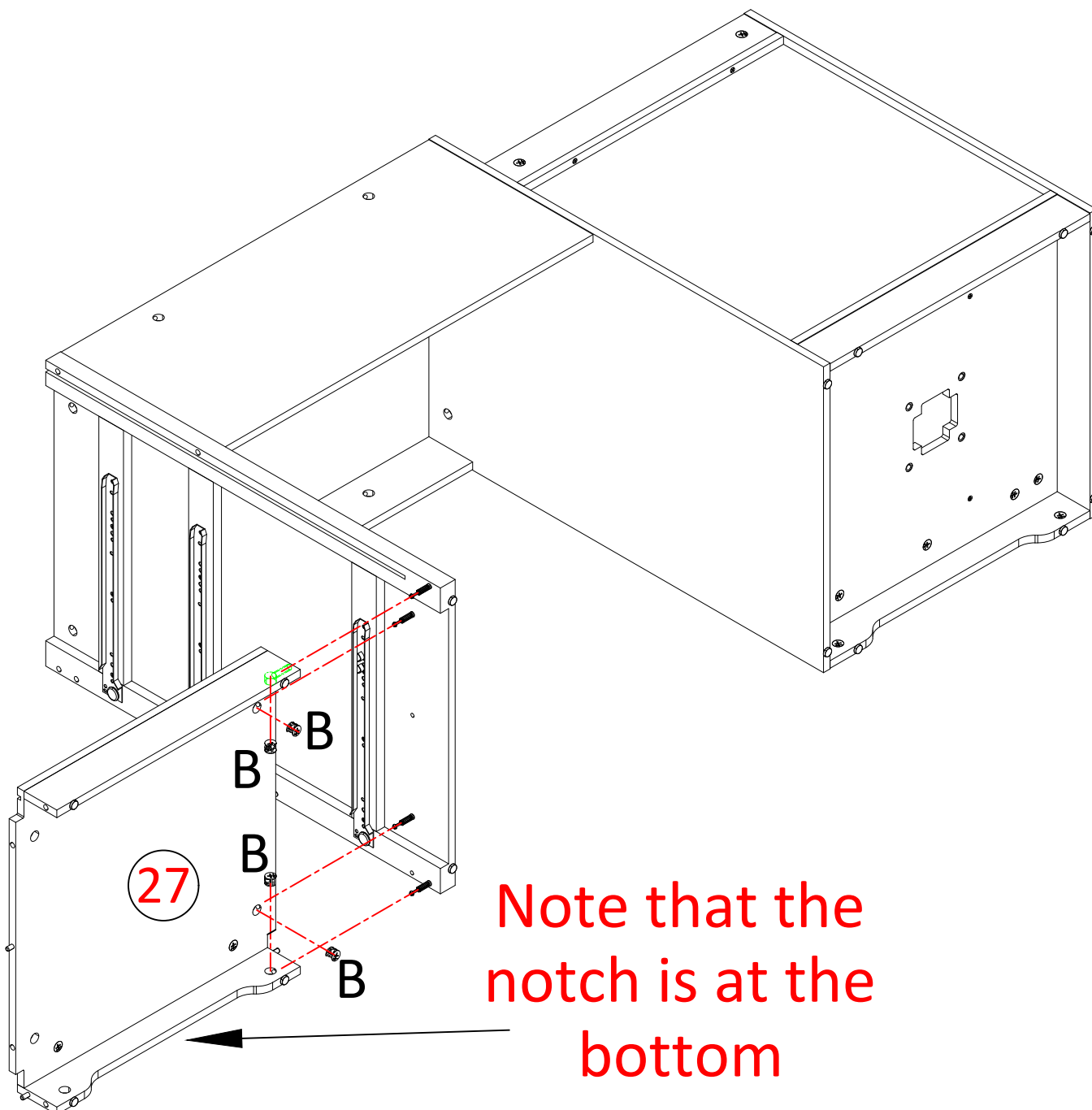


46

B Ø15x10



4 PCS

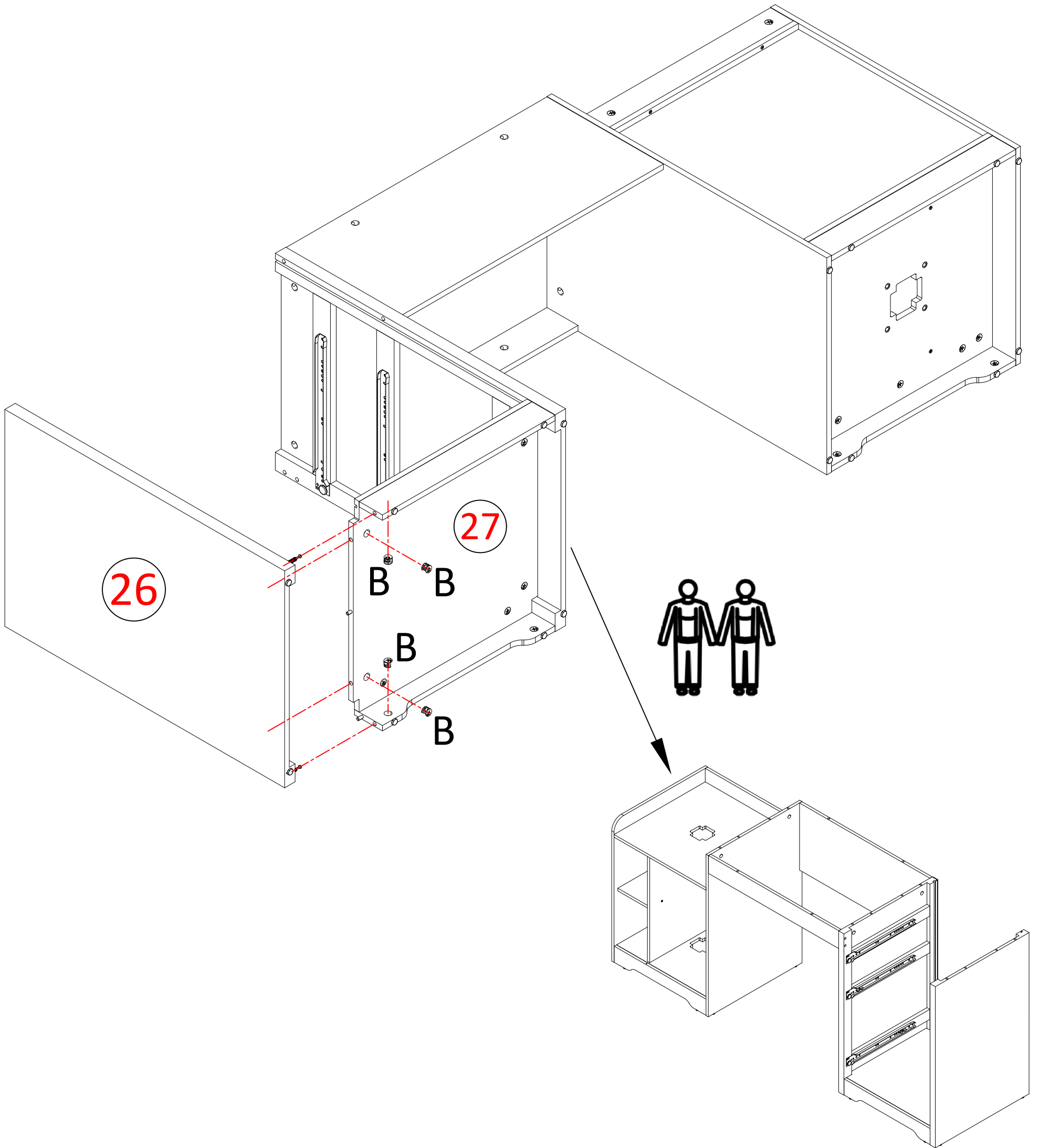


47

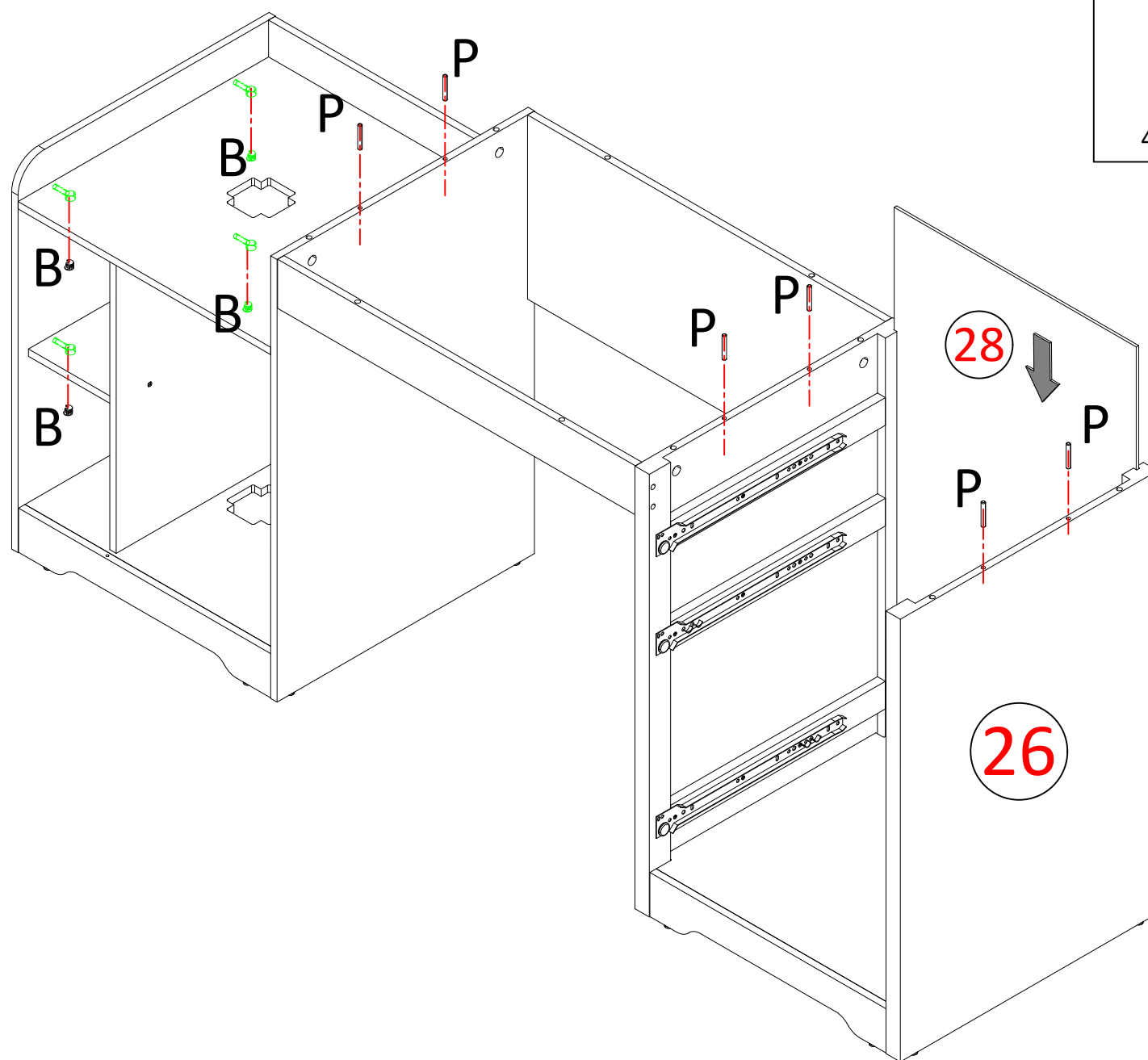
B Ø15x10



4 PCS



48

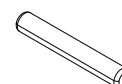


B Ø15x10

P Ø6x40



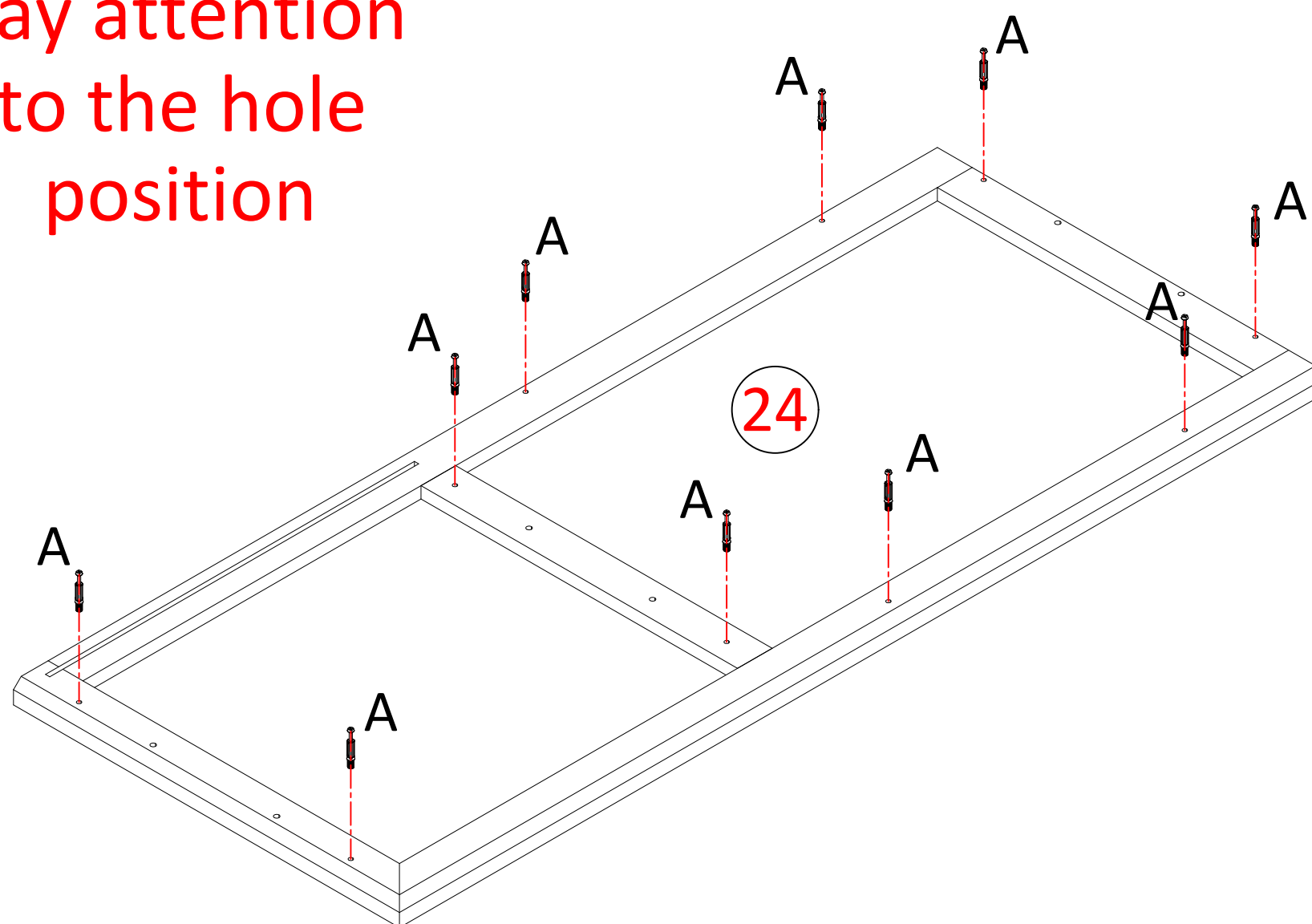
4 PCS



6 PCS

49

Pay attention  
to the hole  
position



A M5x42



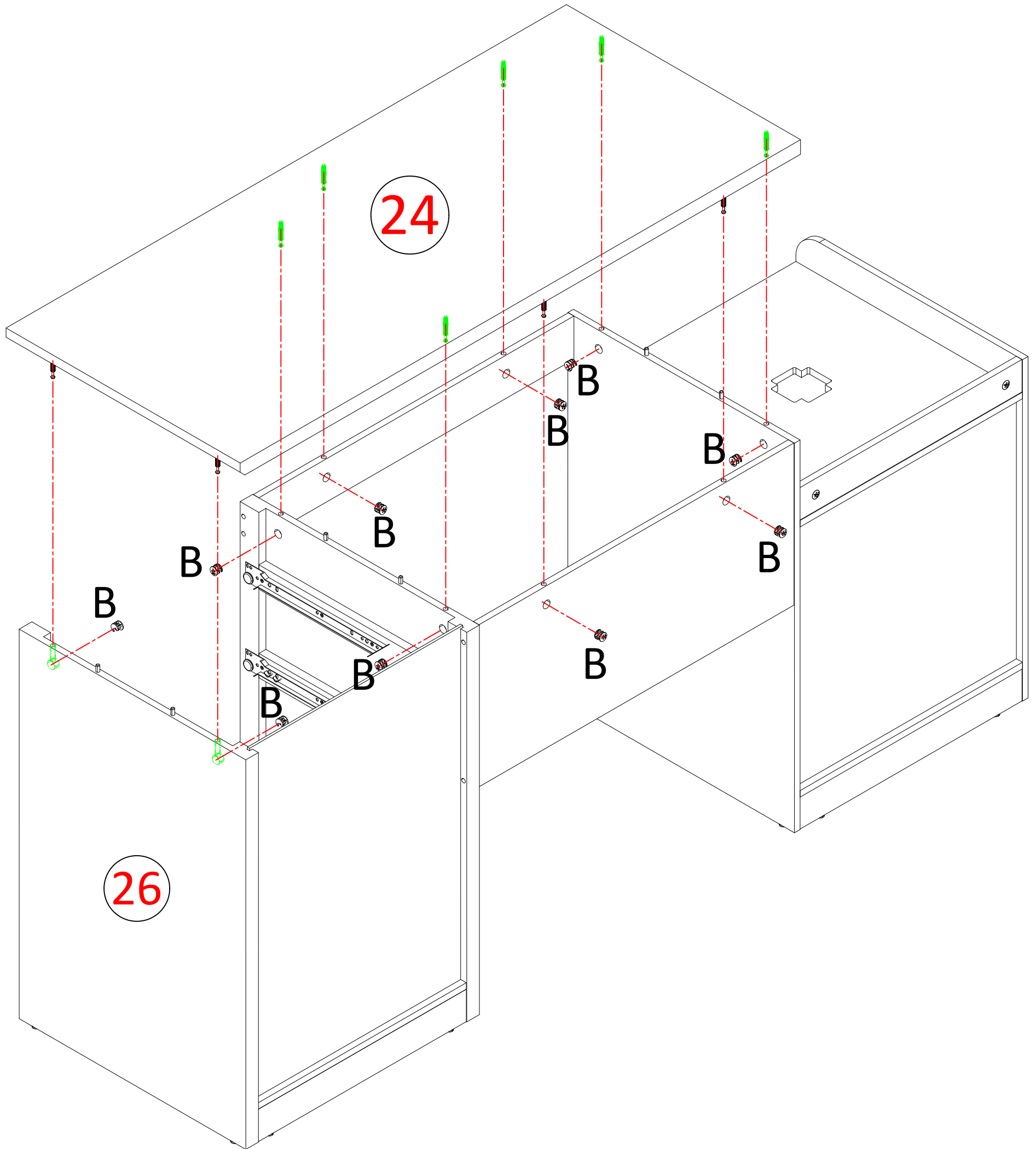
10 PCS

50

B Ø15x10

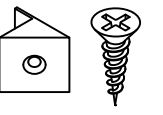


10 PCS

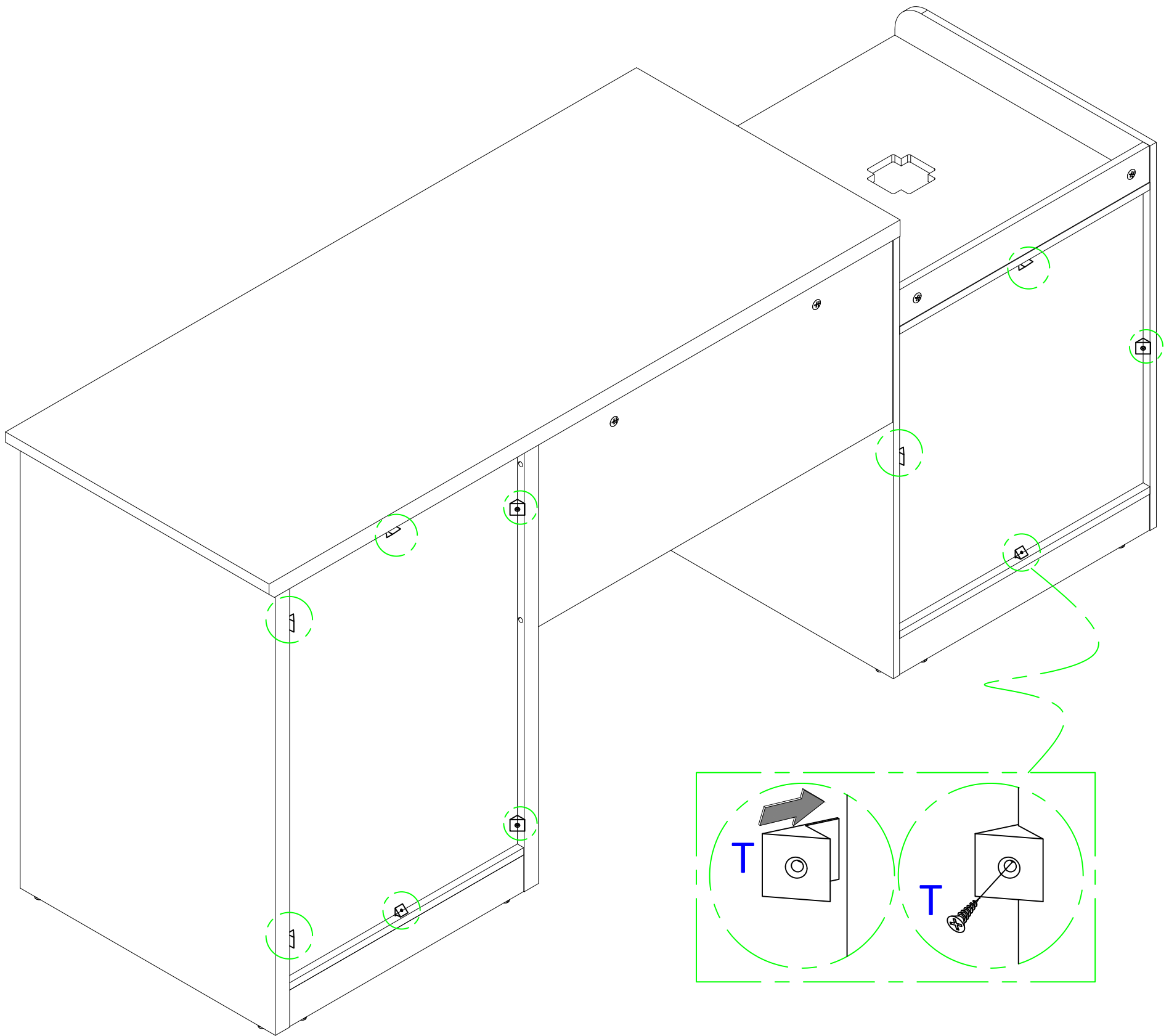


51


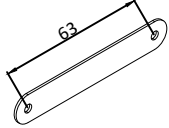
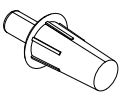
T M3.5x14

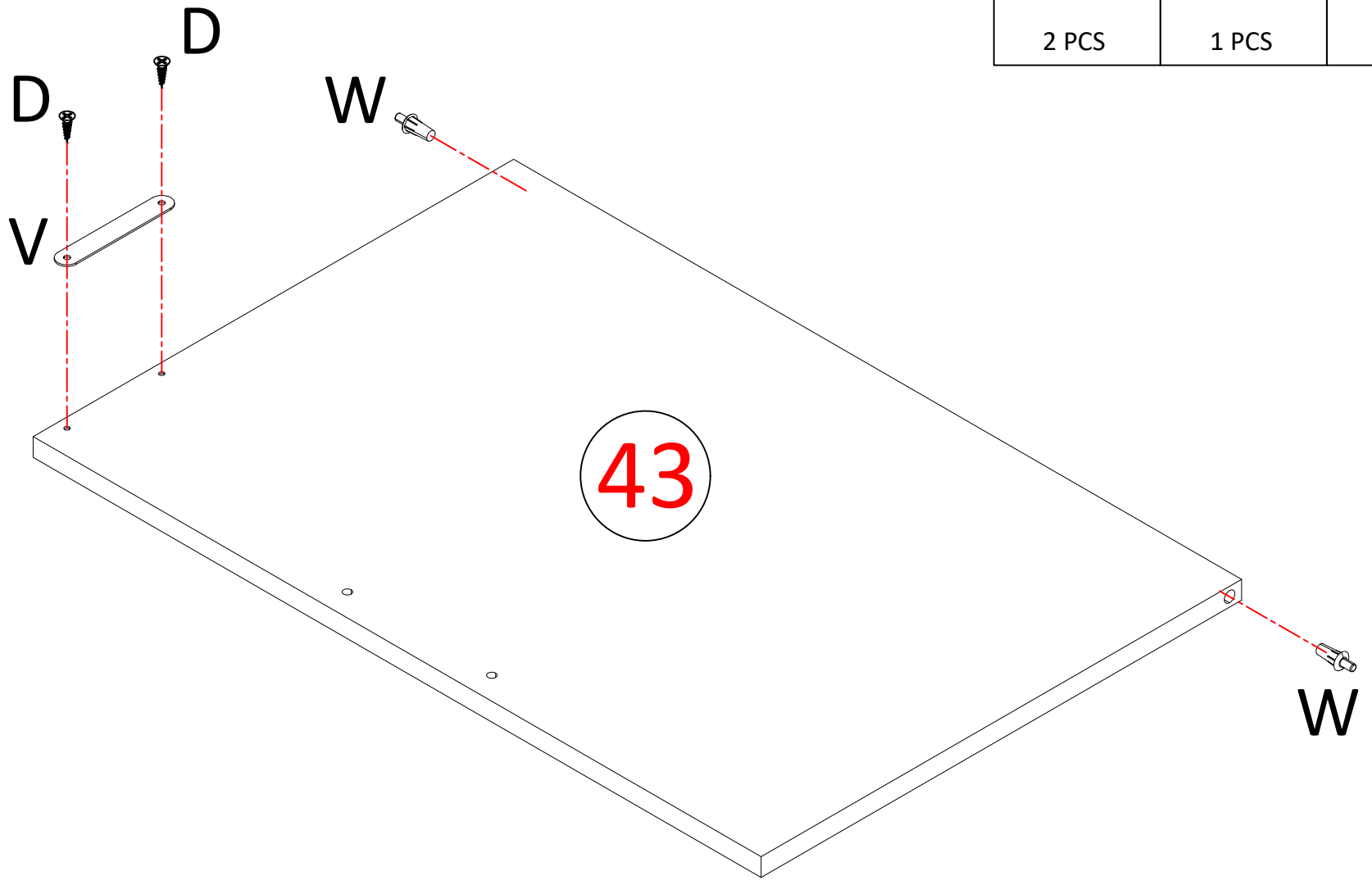


10 PCS


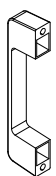


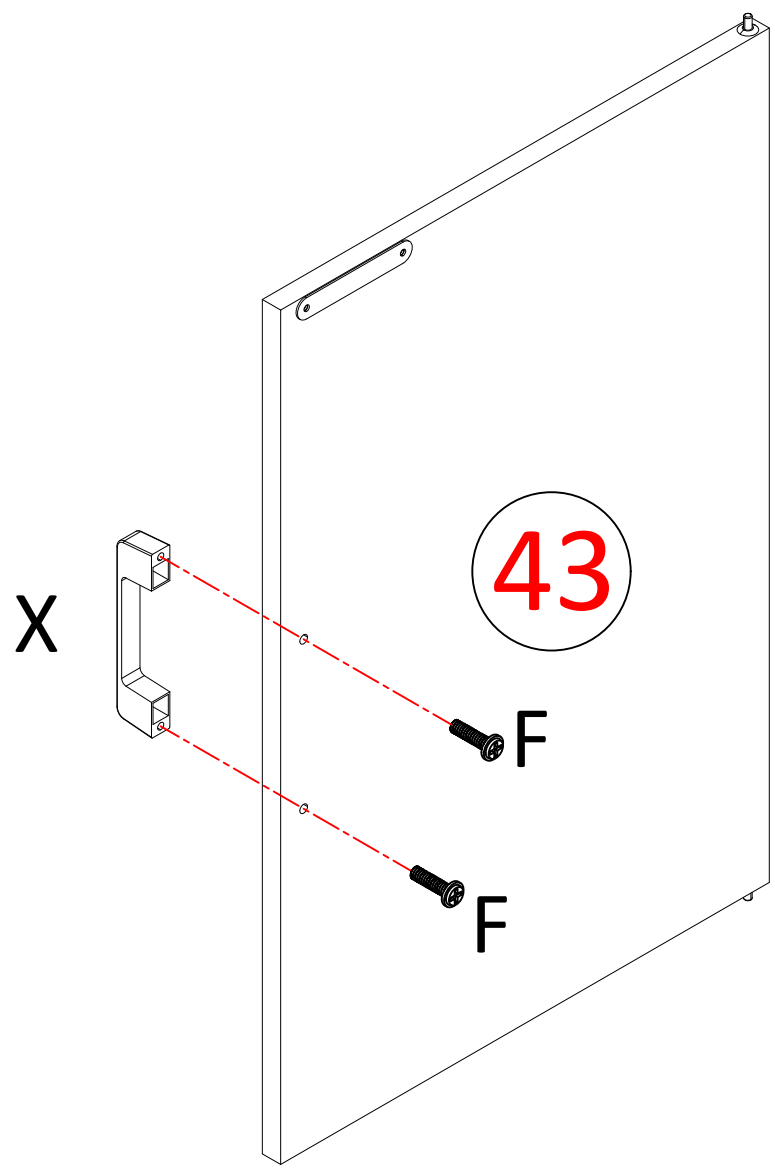
52

D M3.5x12	V	W
		
2 PCS	1 PCS	2 PCS



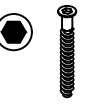
53

F M4x16	X
	
2 PCS	1 PCS

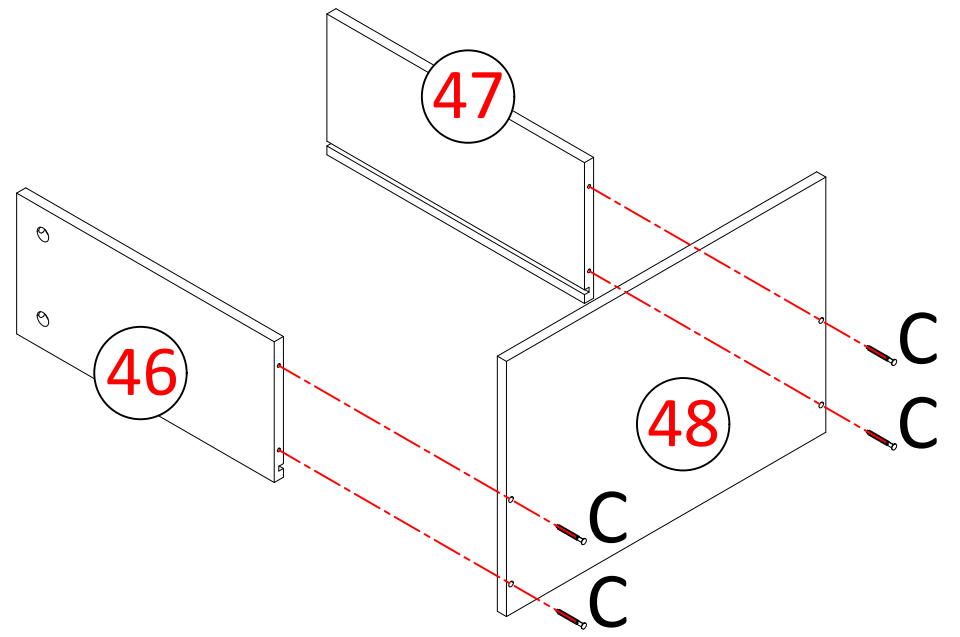
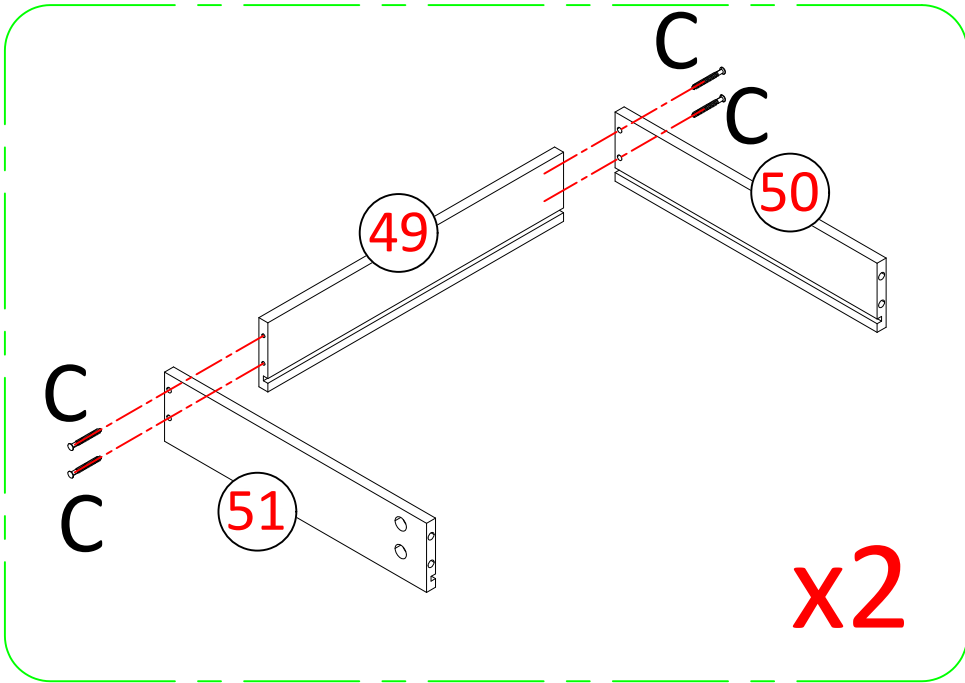


54

C M5x40



12 PCS

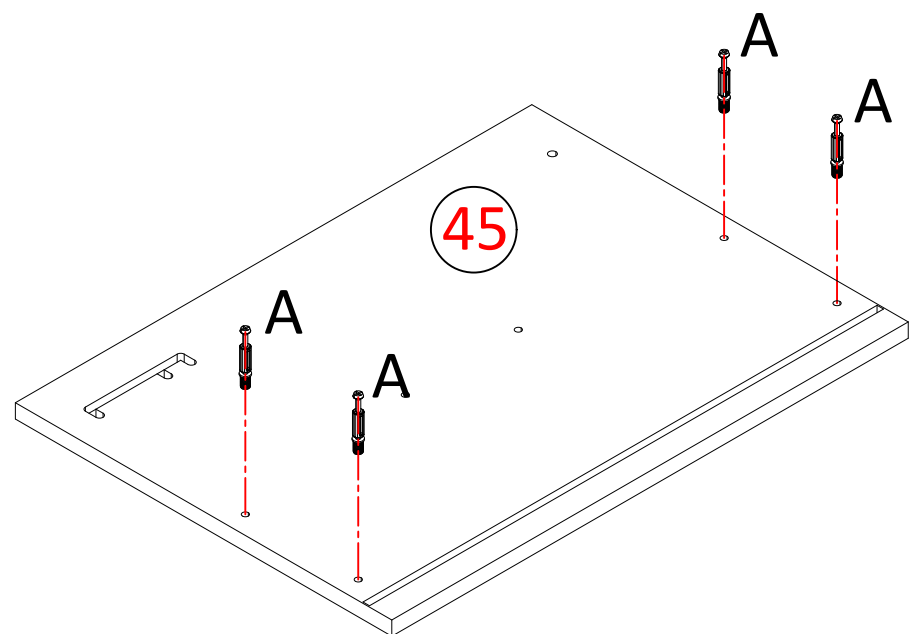
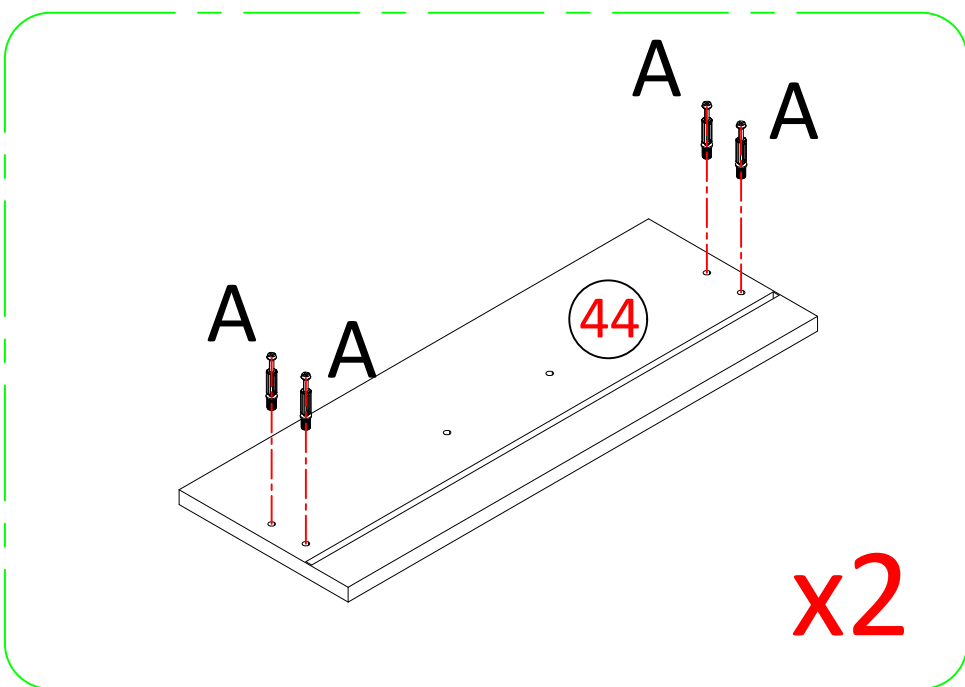


55

A M5x42



12 PCS

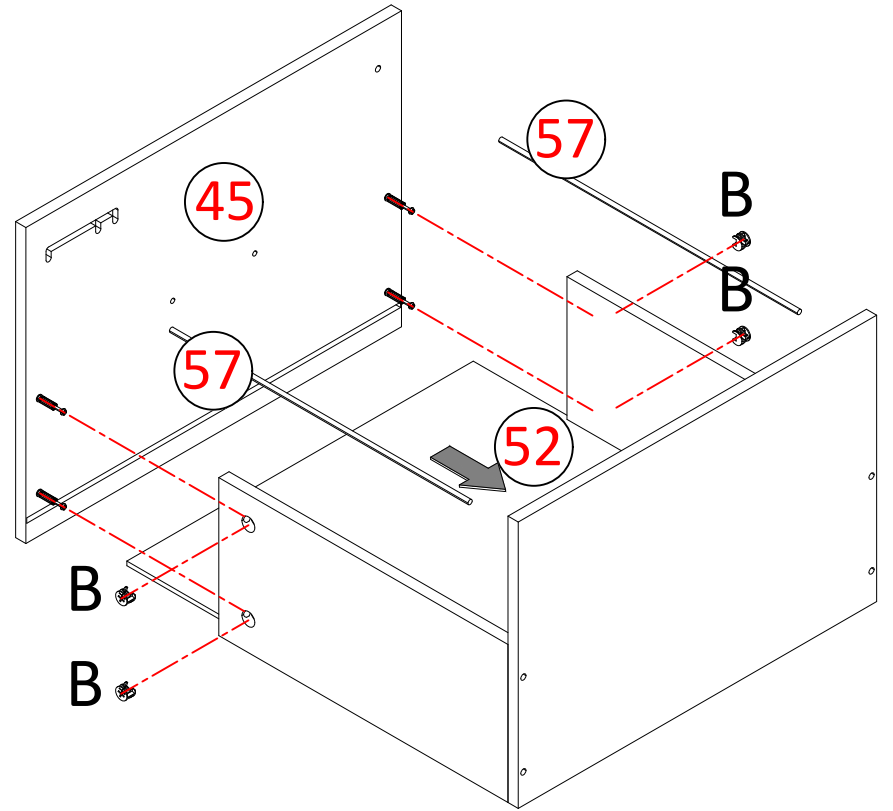
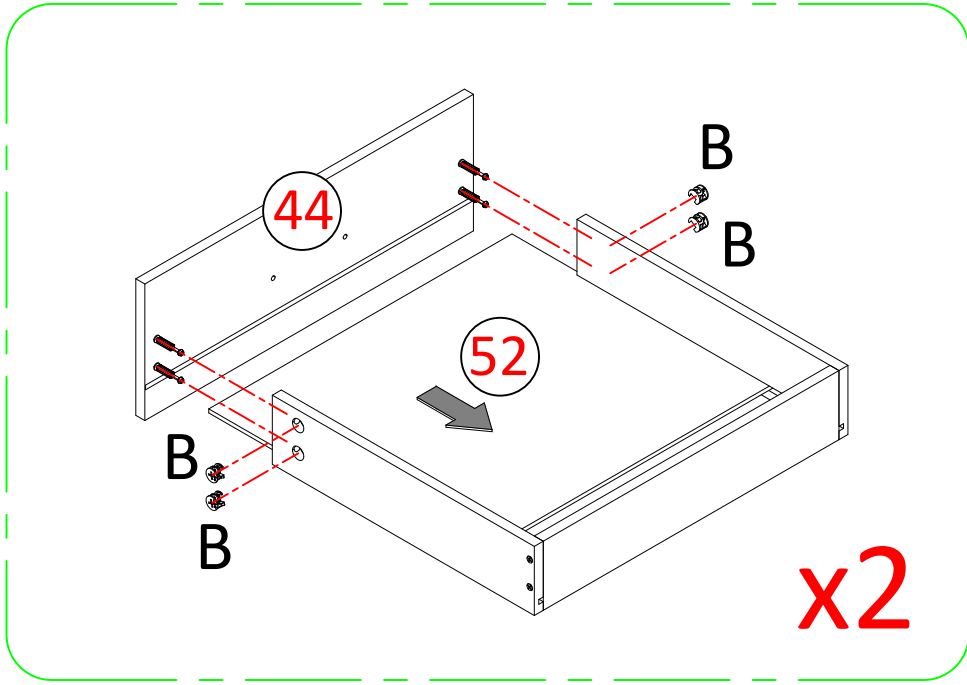


56

B Ø15x10



12 PCS



57

F M4x16

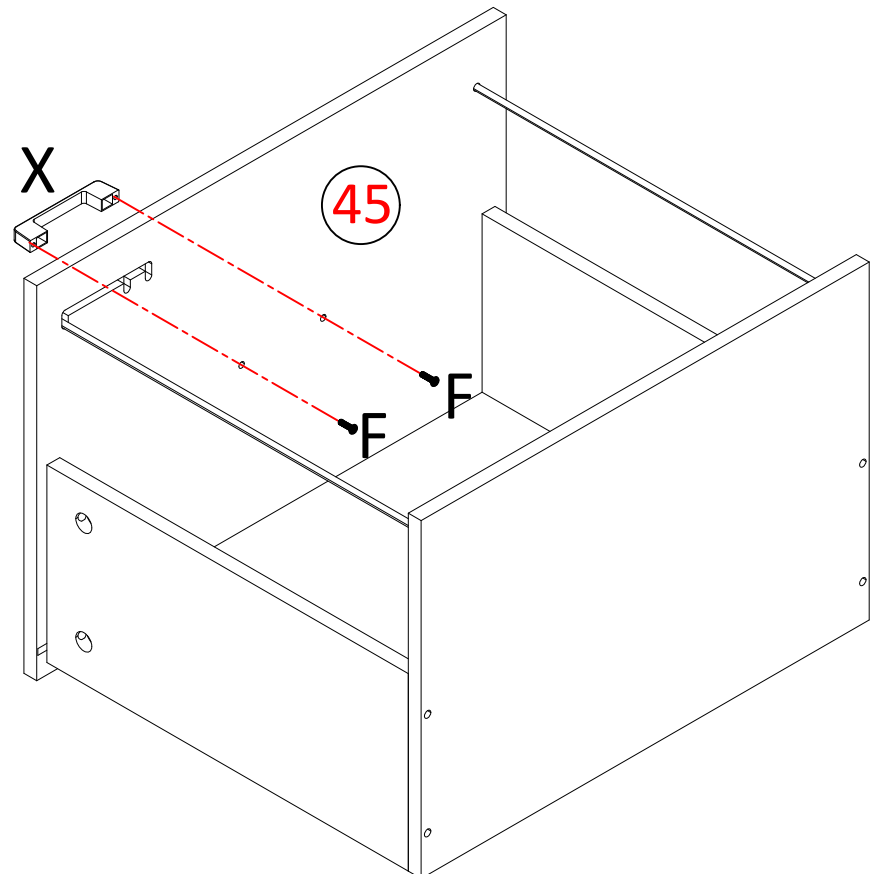
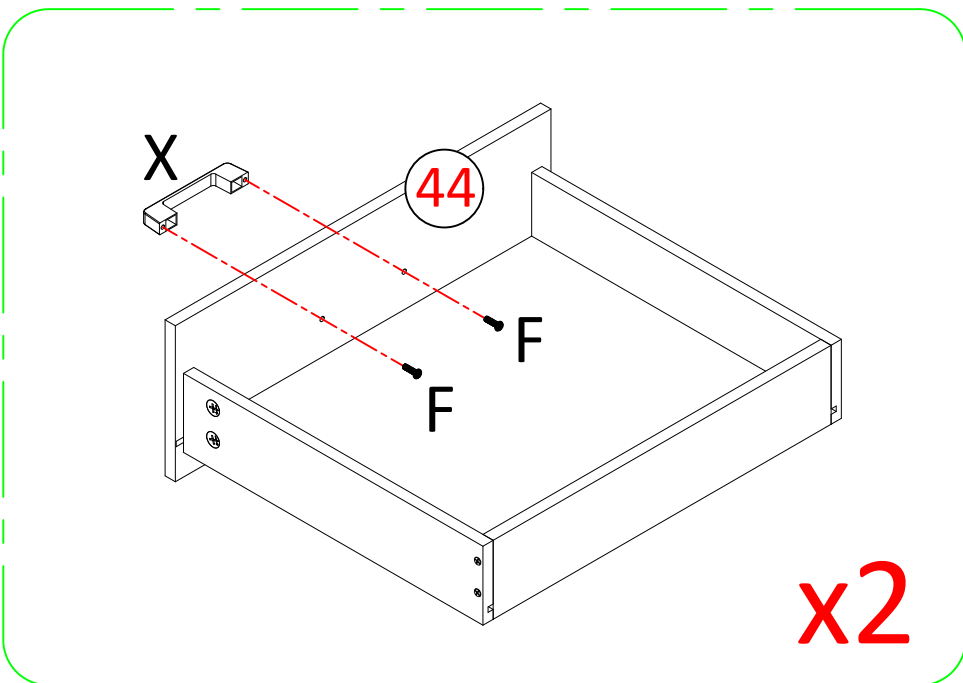
X



6 PCS



3 PCS

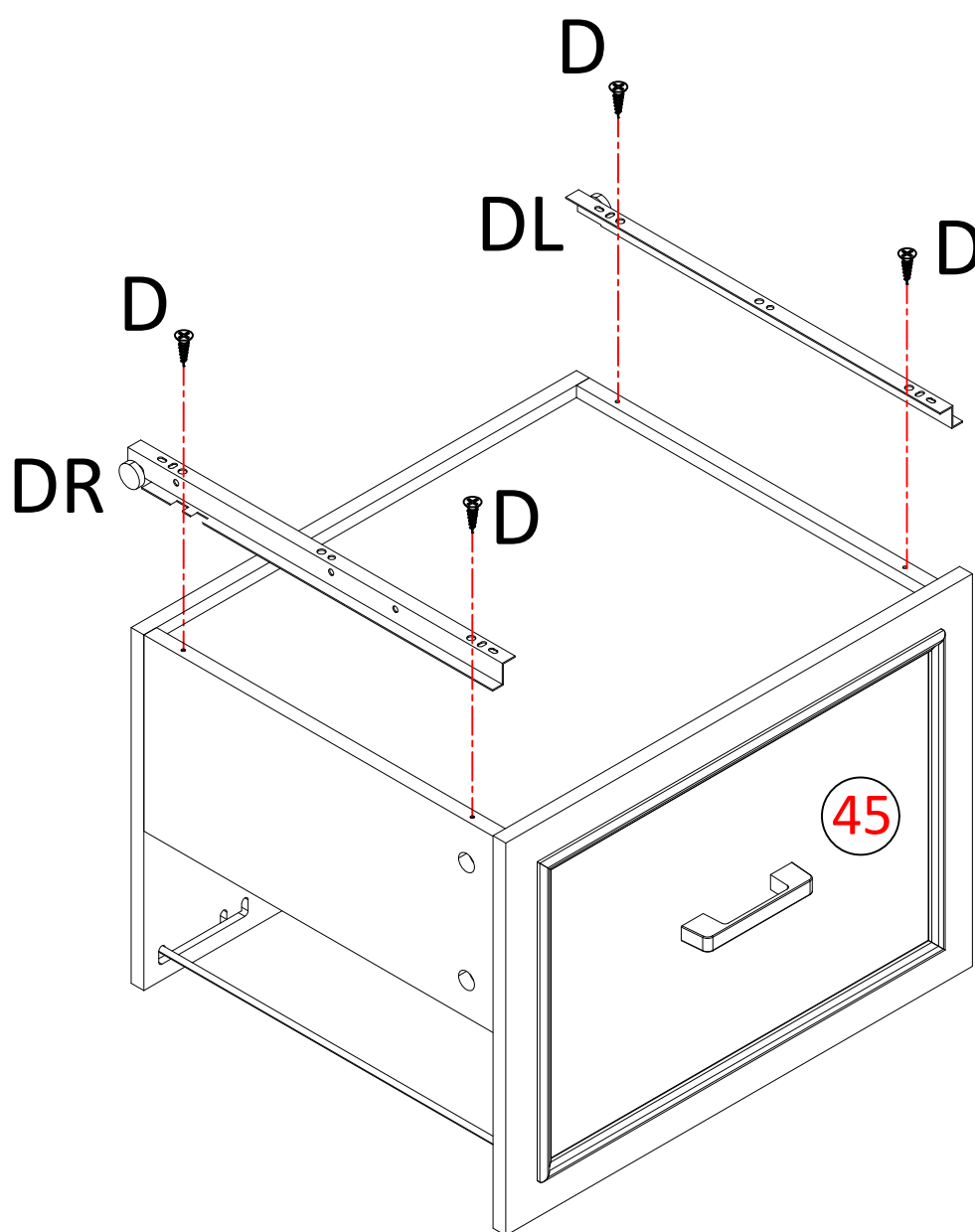
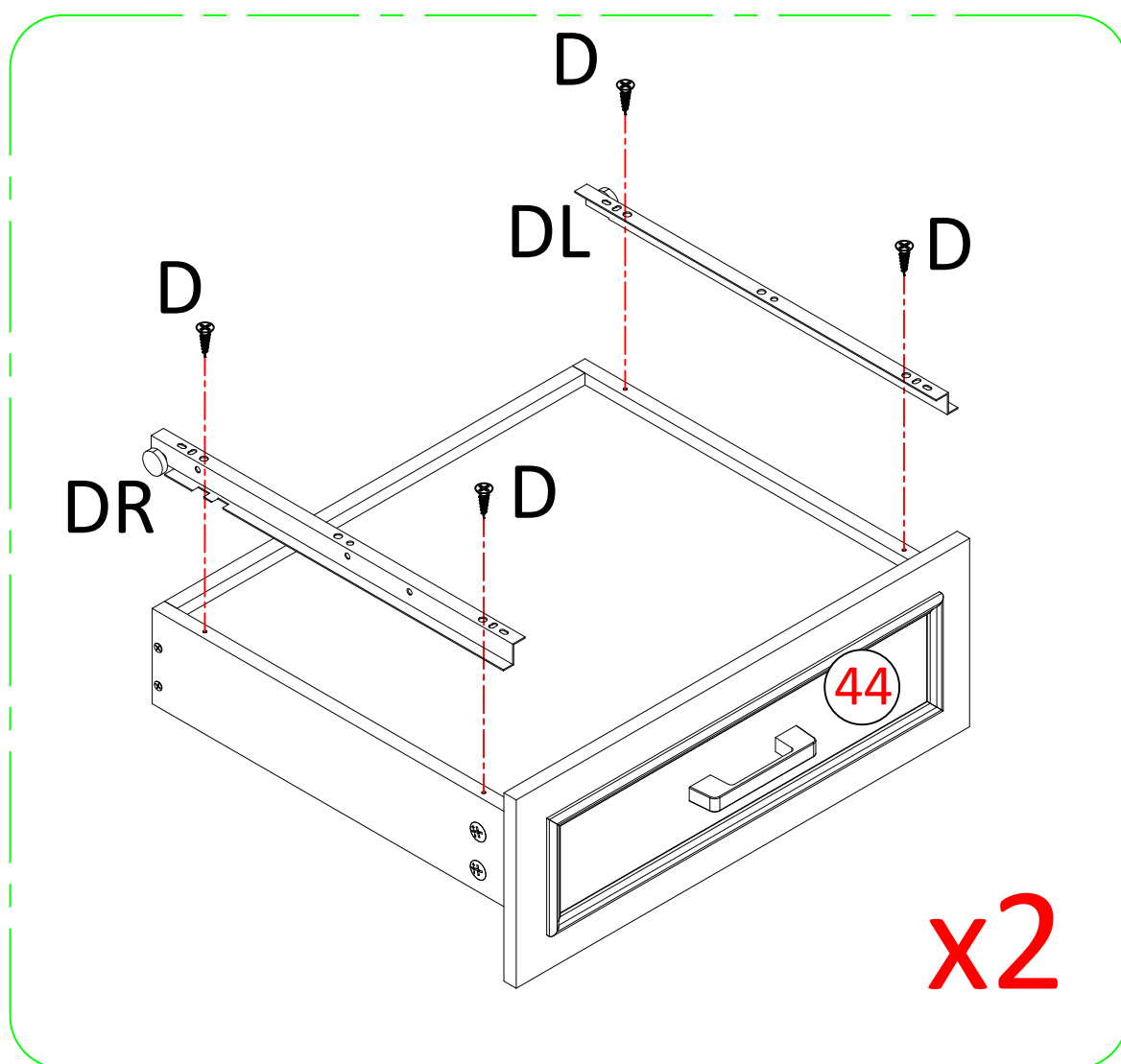
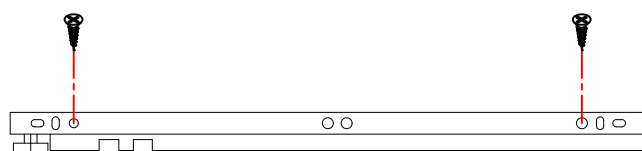


58

D M3.5x12



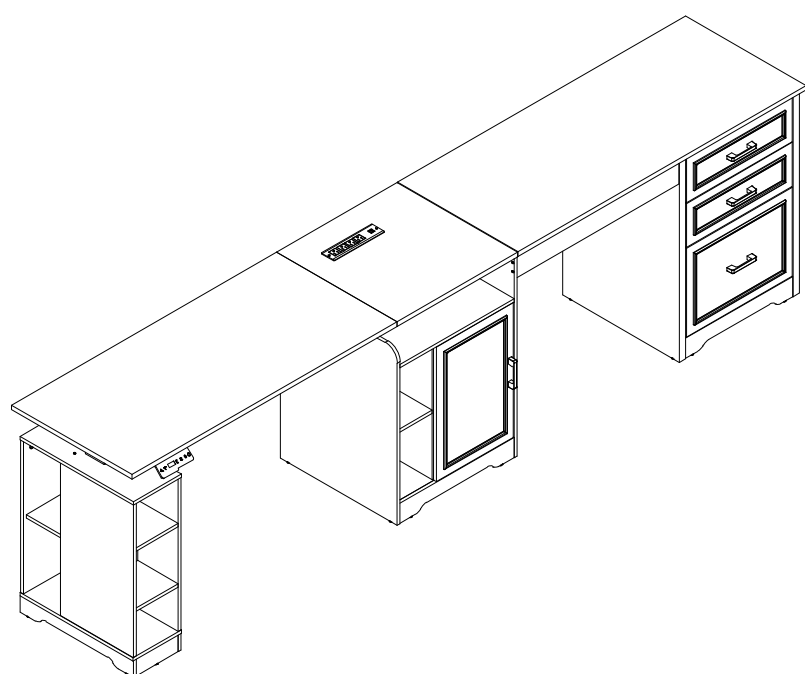
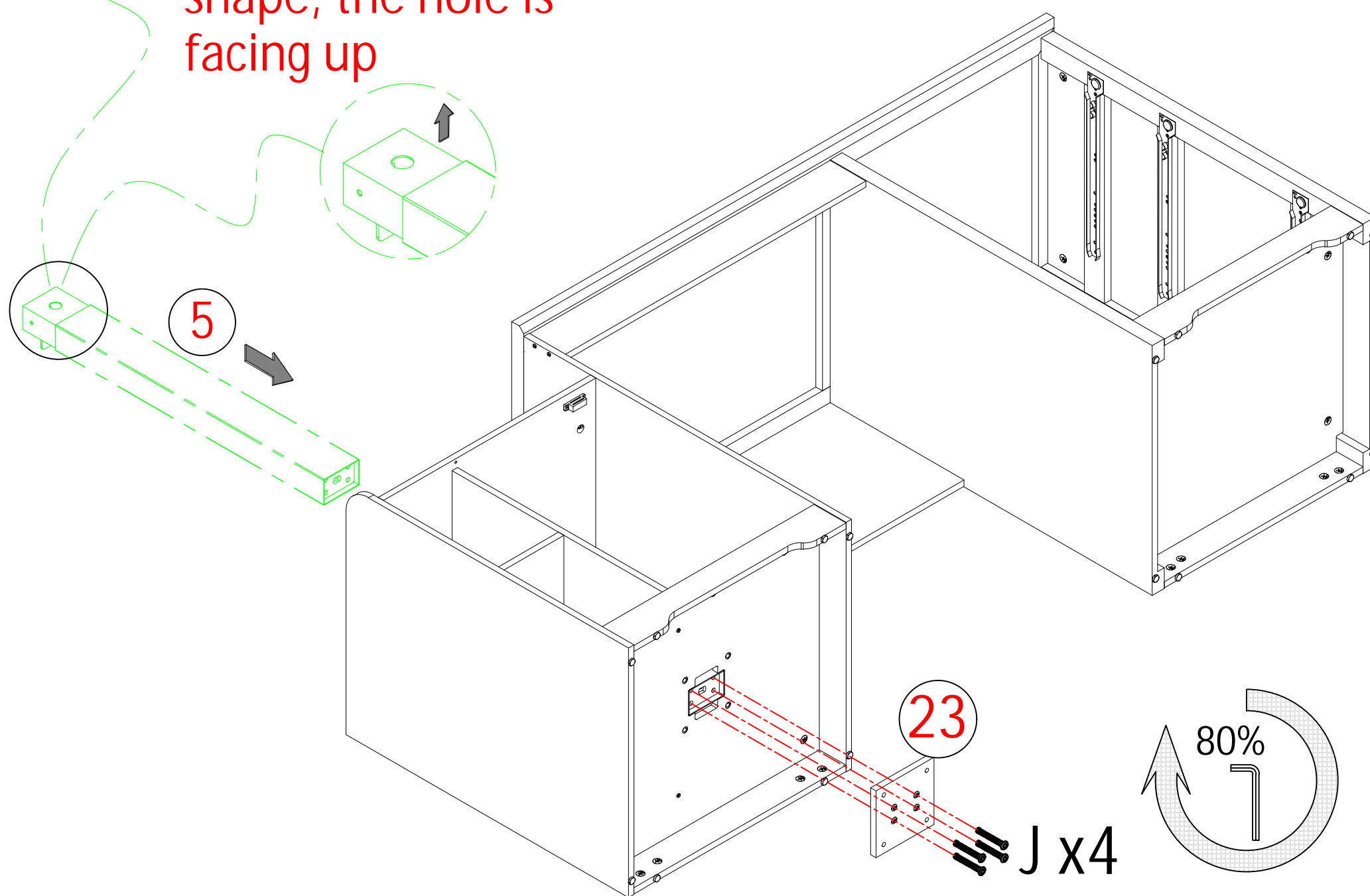
12 PCS



59

J M8x40  
4 PCS

note: To install this shape, the hole is facing up



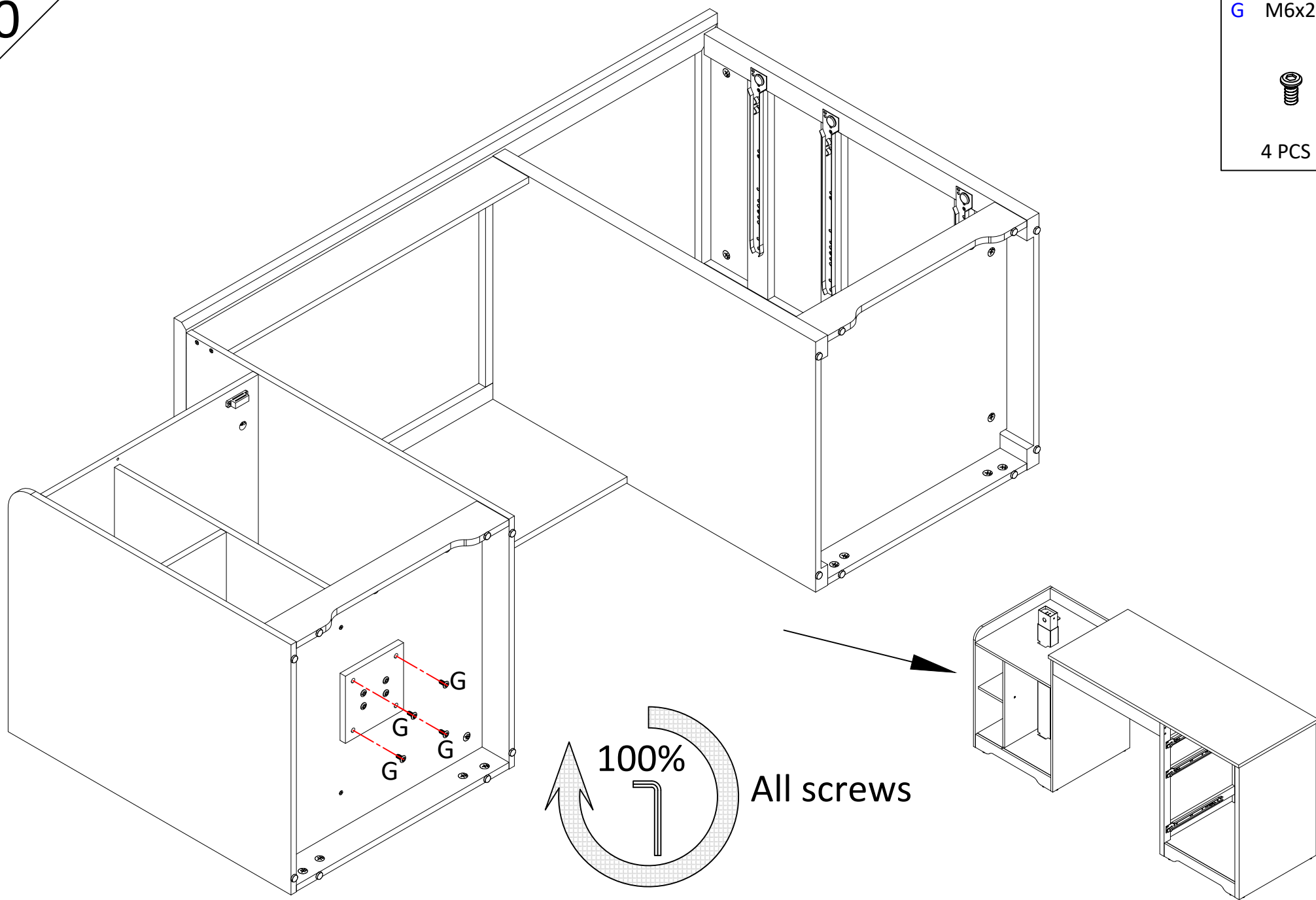
If you want to install this shape, please see the instructions on pages 53-64

60

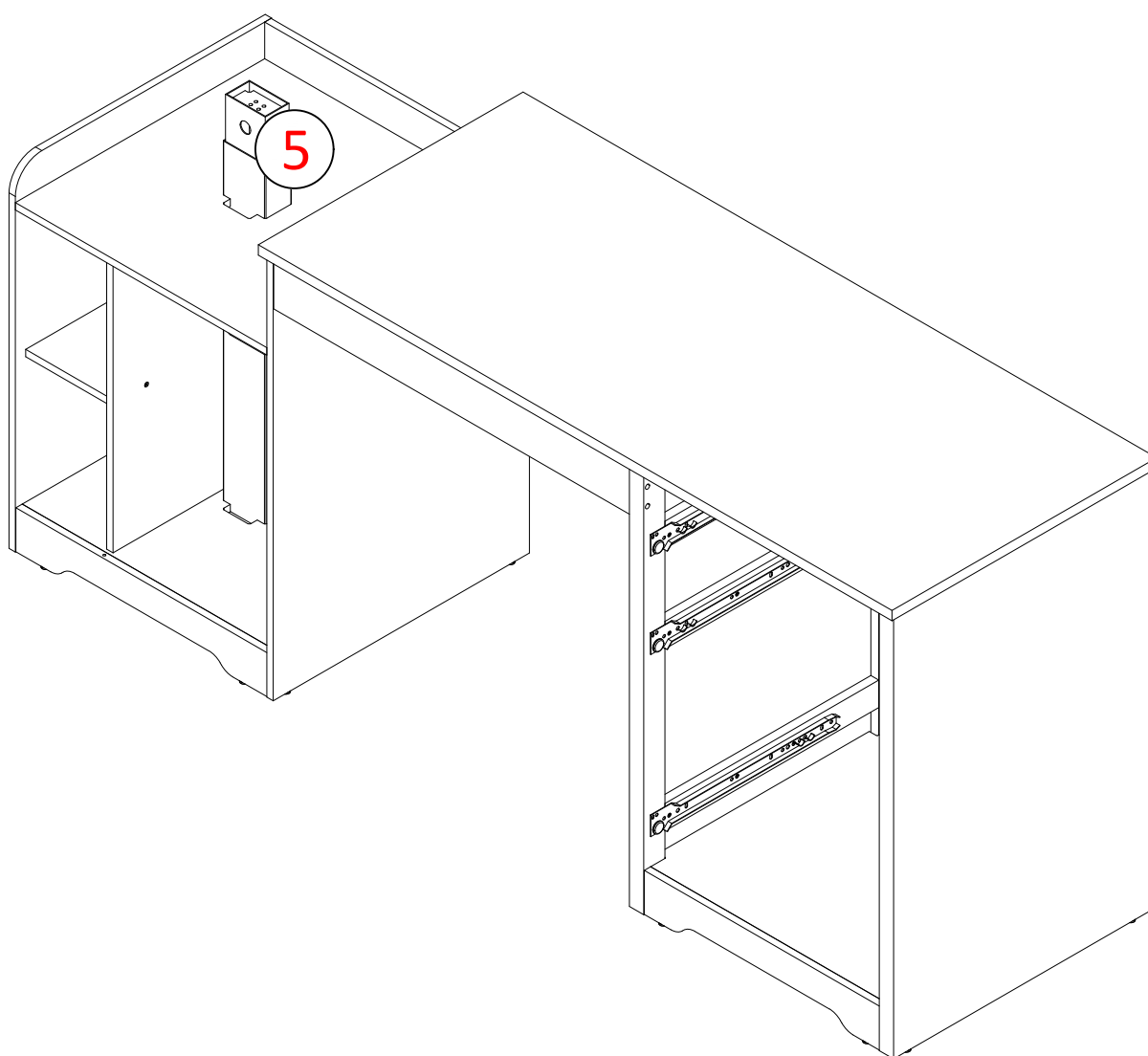
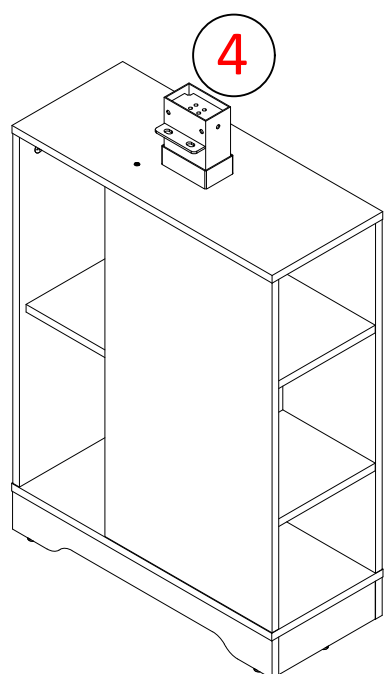
G M6x20



4 PCS



61



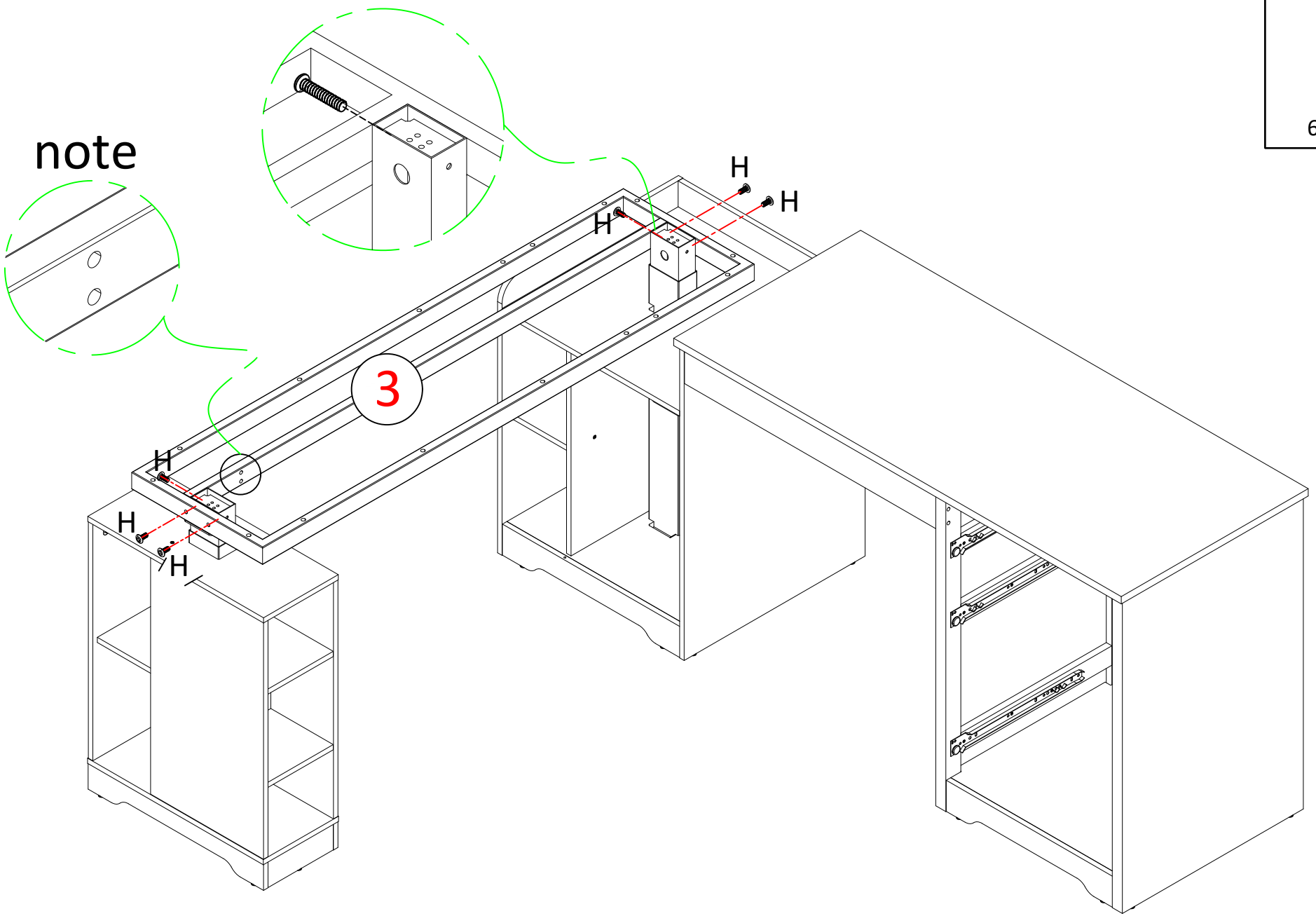
62

H M6x30



6 PCS

note



63

I M4x45

O 14\*5\*1

N M4



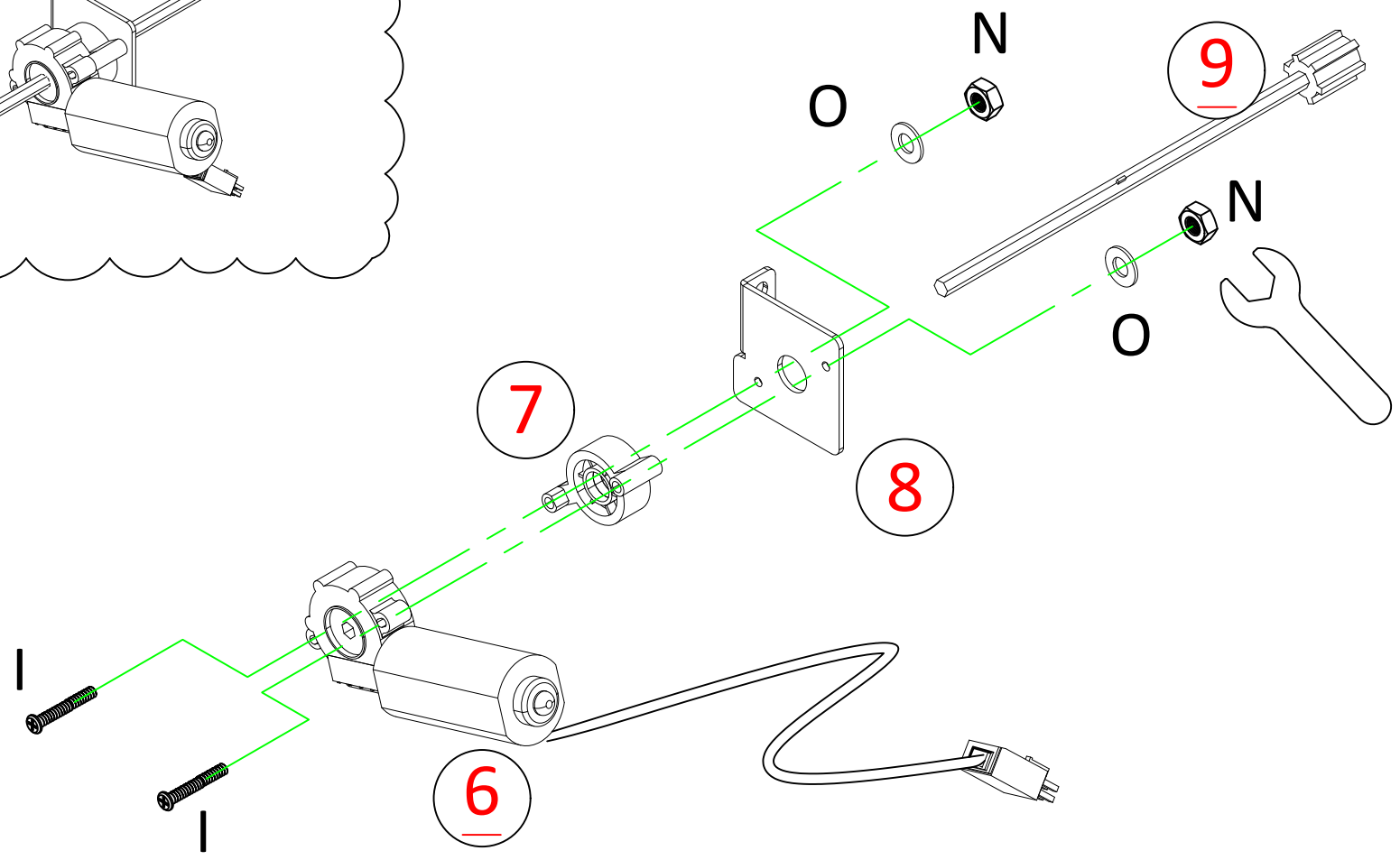
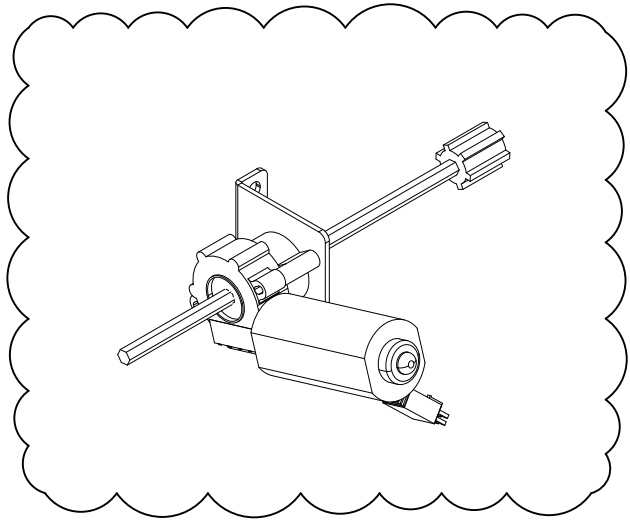
2 PCS



2 PCS



2 PCS



64

M M6xL12

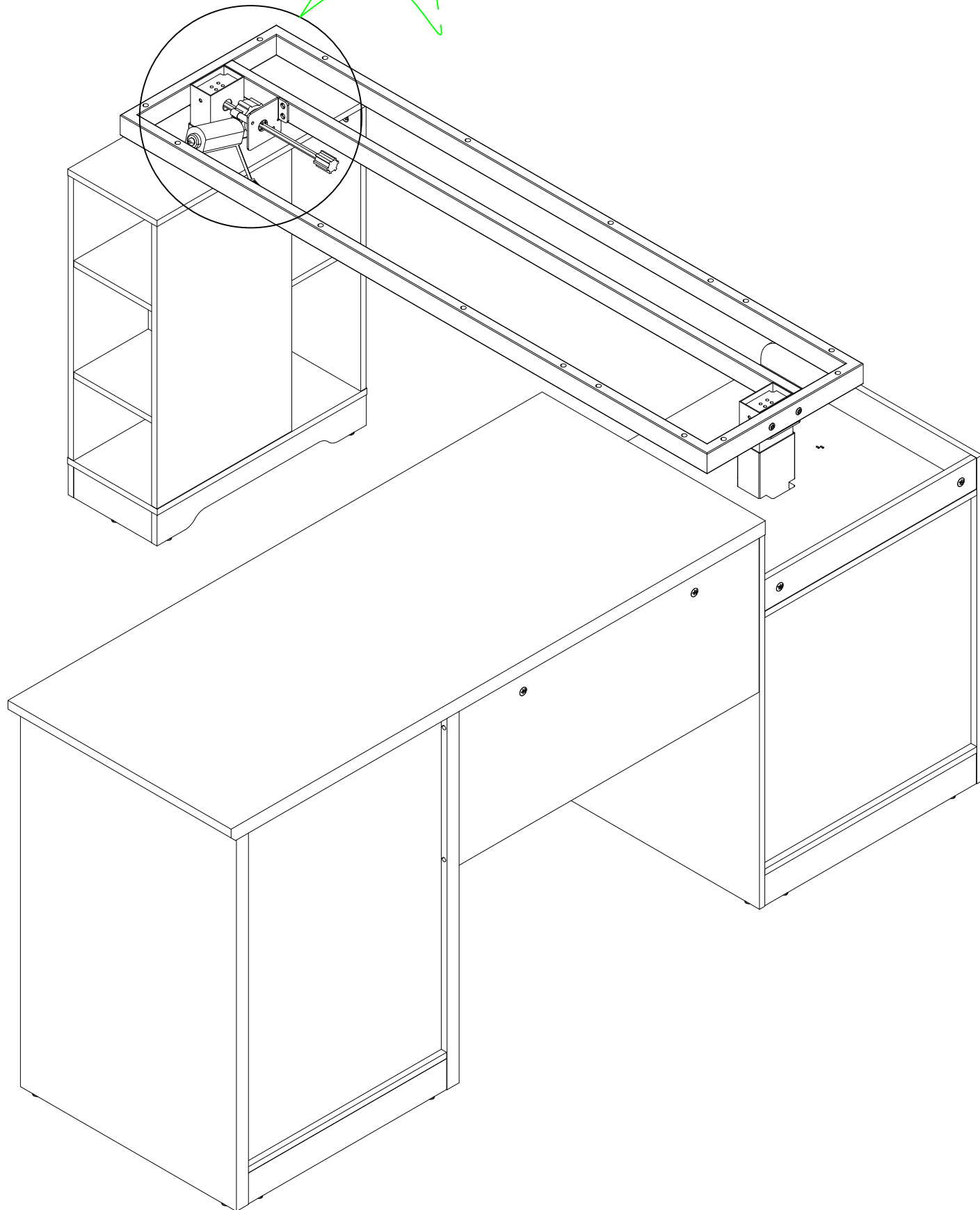
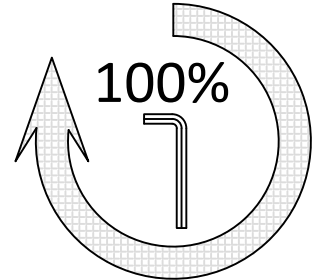
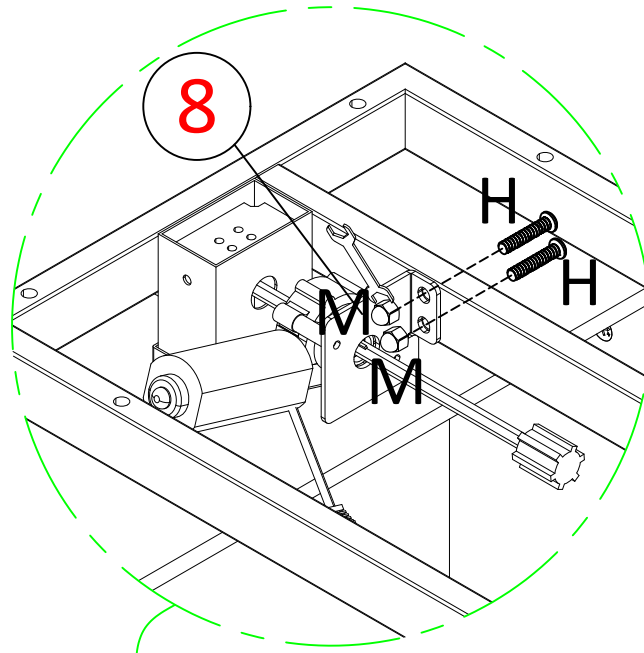
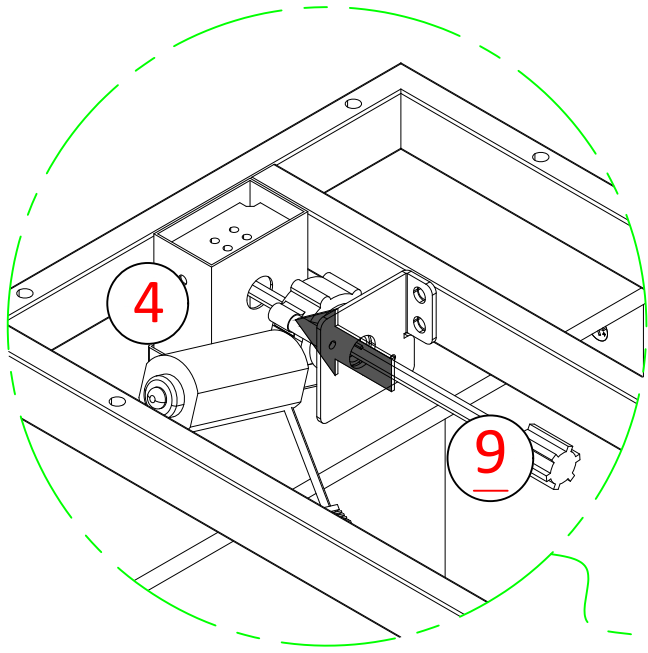
H M6x30



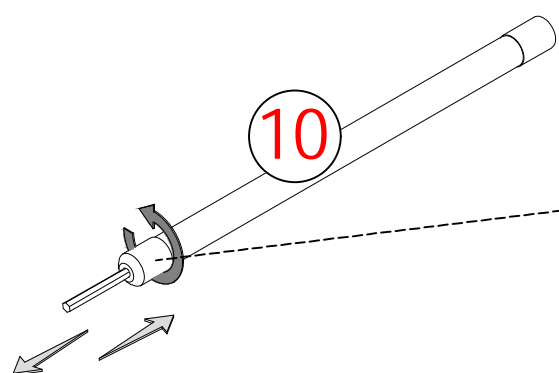
2 PCS



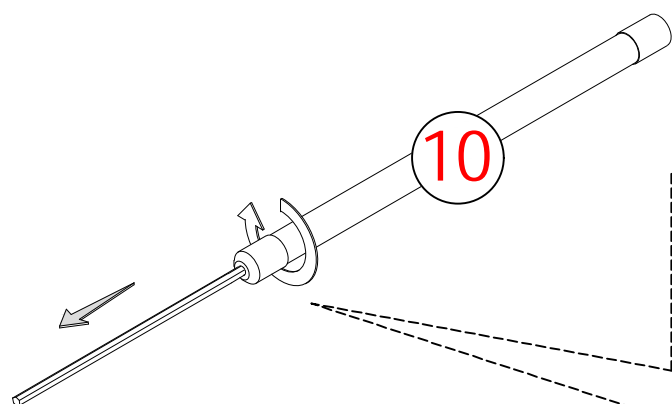
2 PCS



65

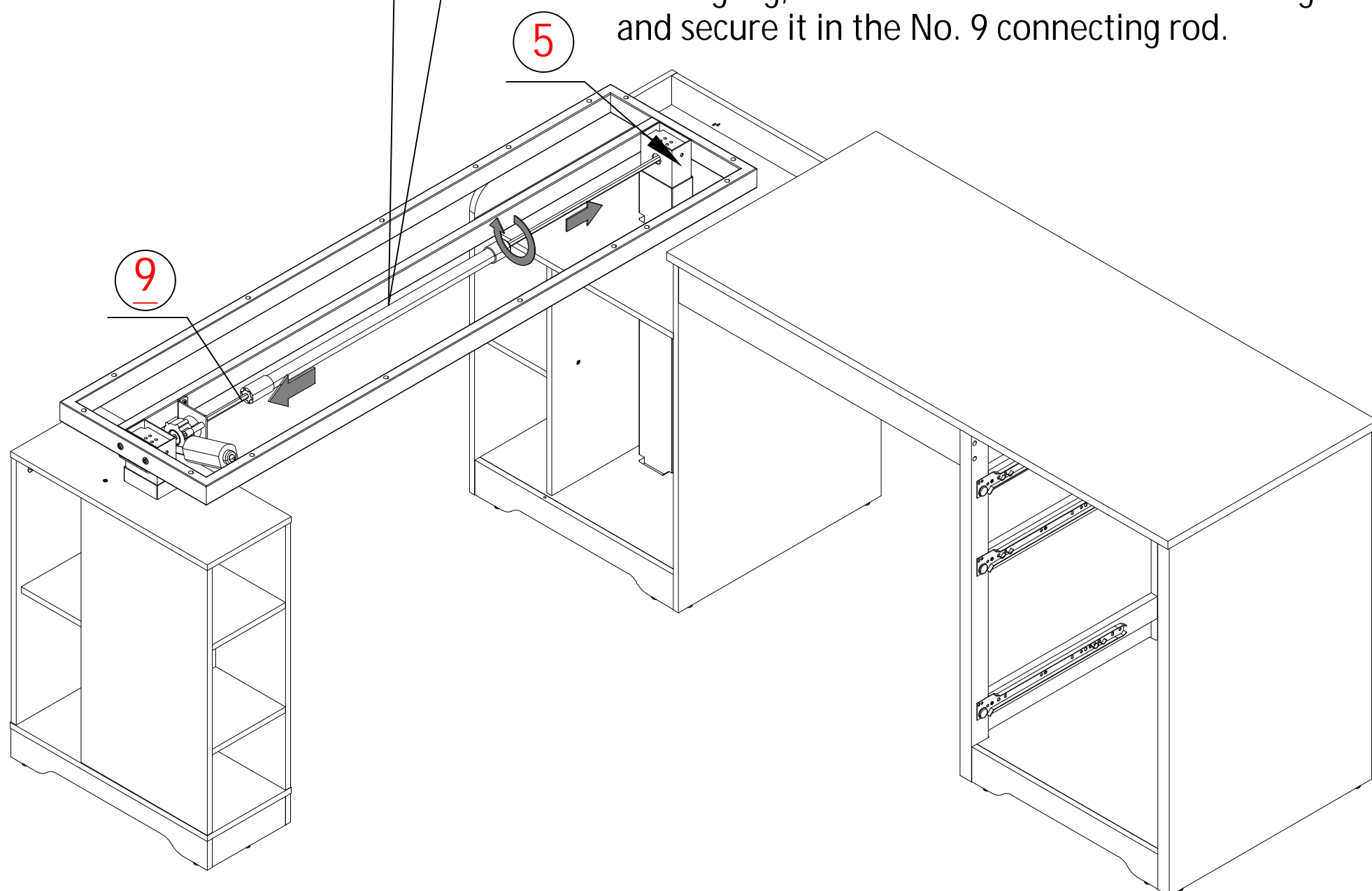


Loosening this button can extend No. 10, while tightening it can secure No. 10.

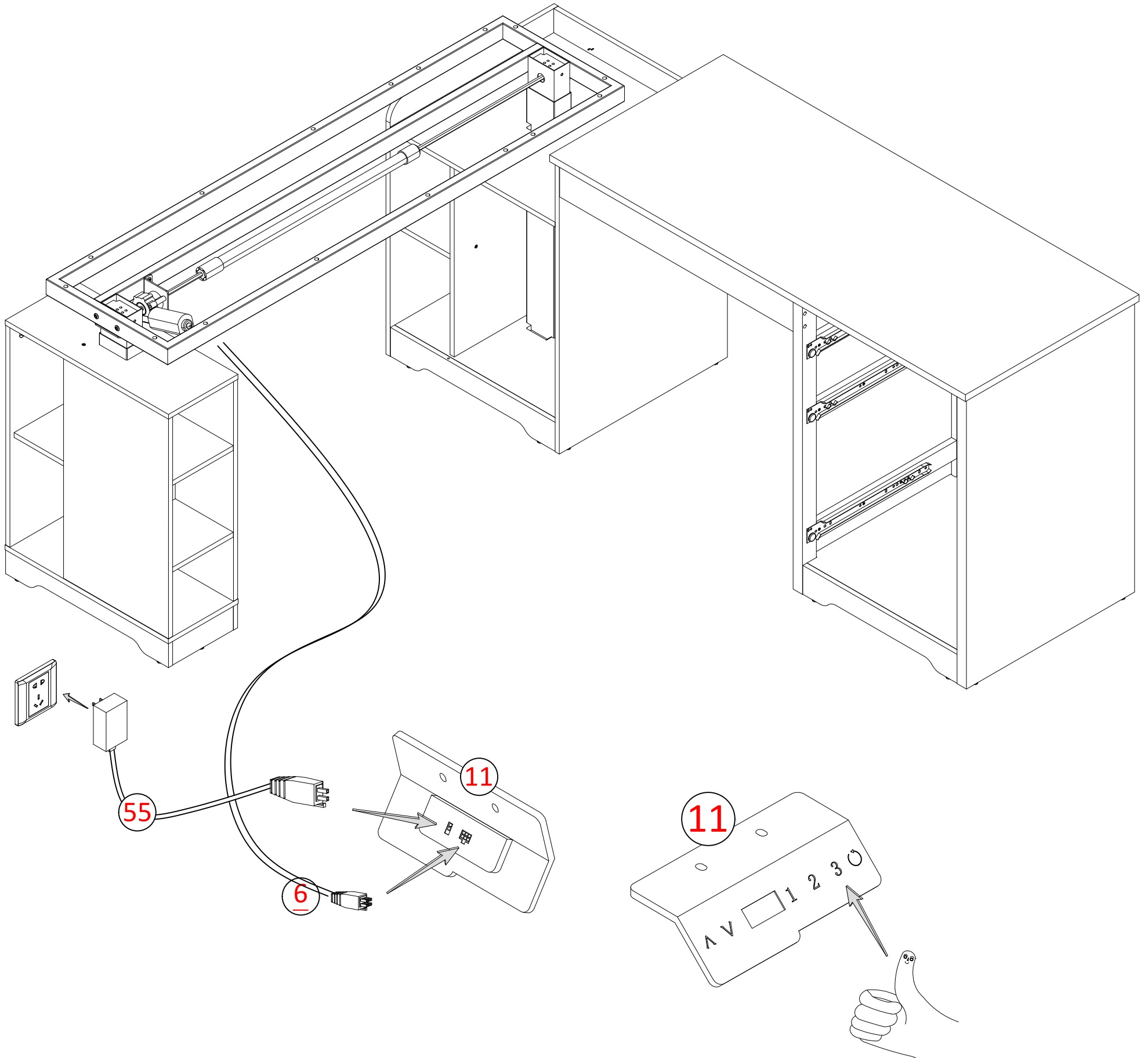


Adjust to the appropriate length for installing No. 10. After the installation is completed, tighten the button to secure the length of No. 10.

First, install the No. 10 connecting rod into the No. 5 lifting leg, then stretch the No. 10 connecting rod and secure it in the No. 9 connecting rod.



66

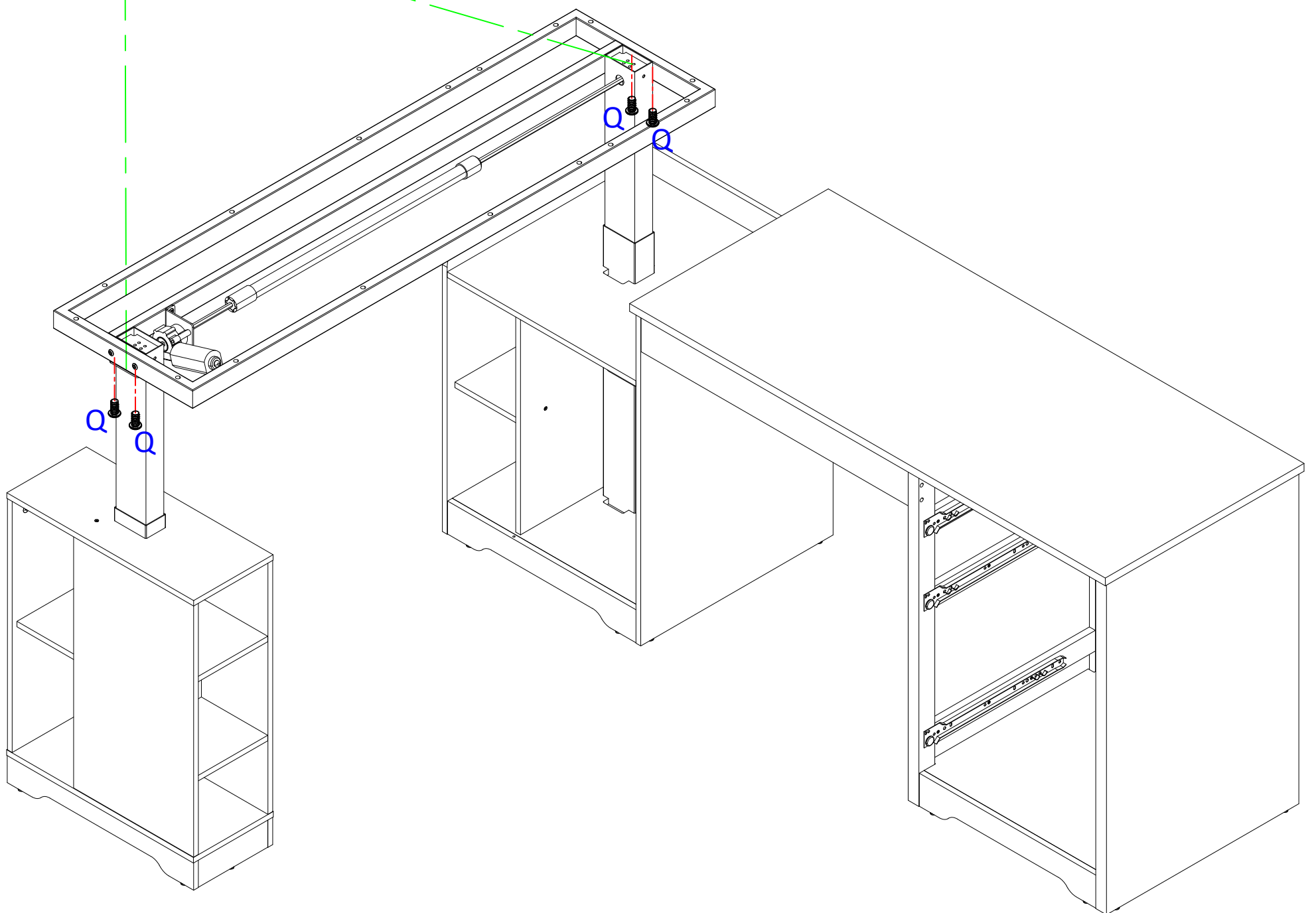
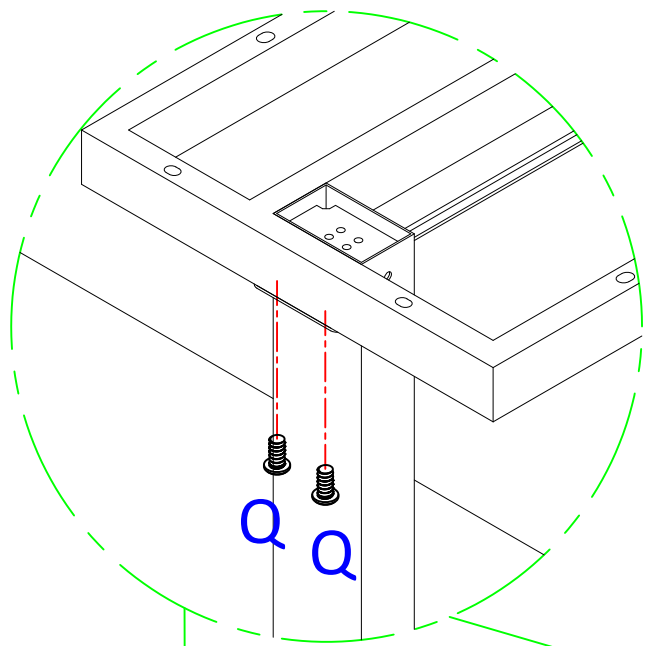


67

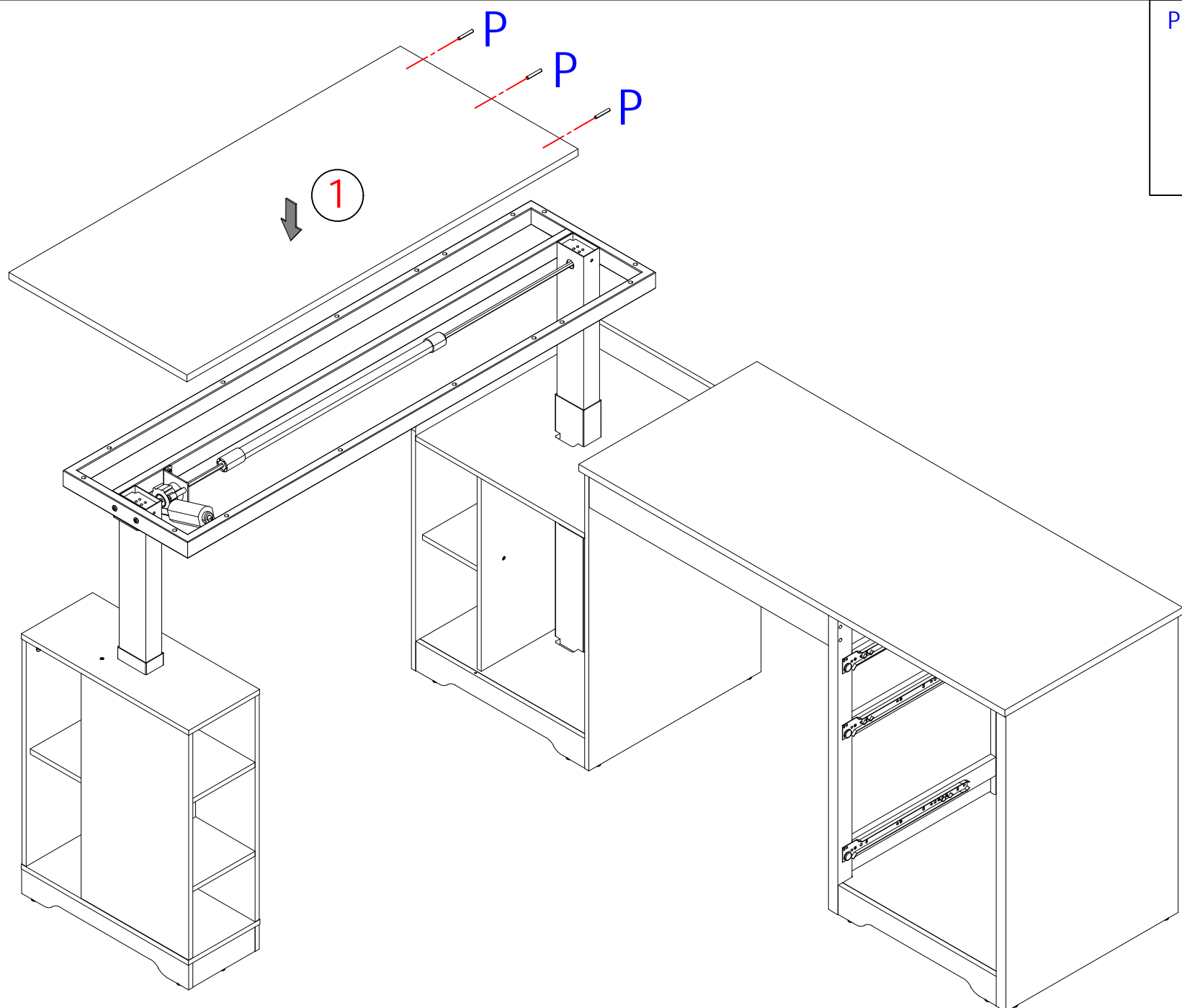
Q M6x10



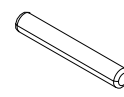
4 PCS



68

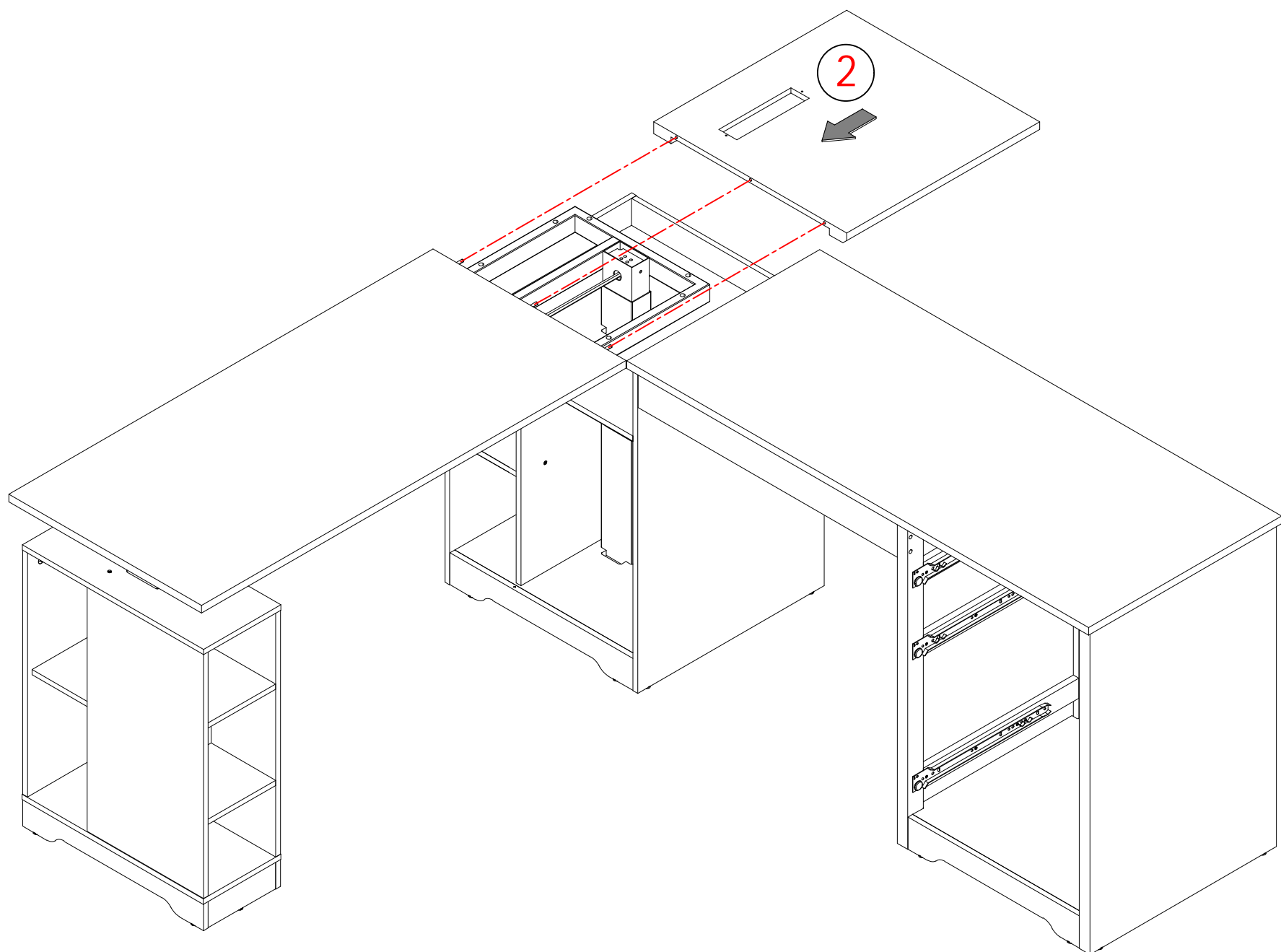


P Ø6x40


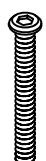


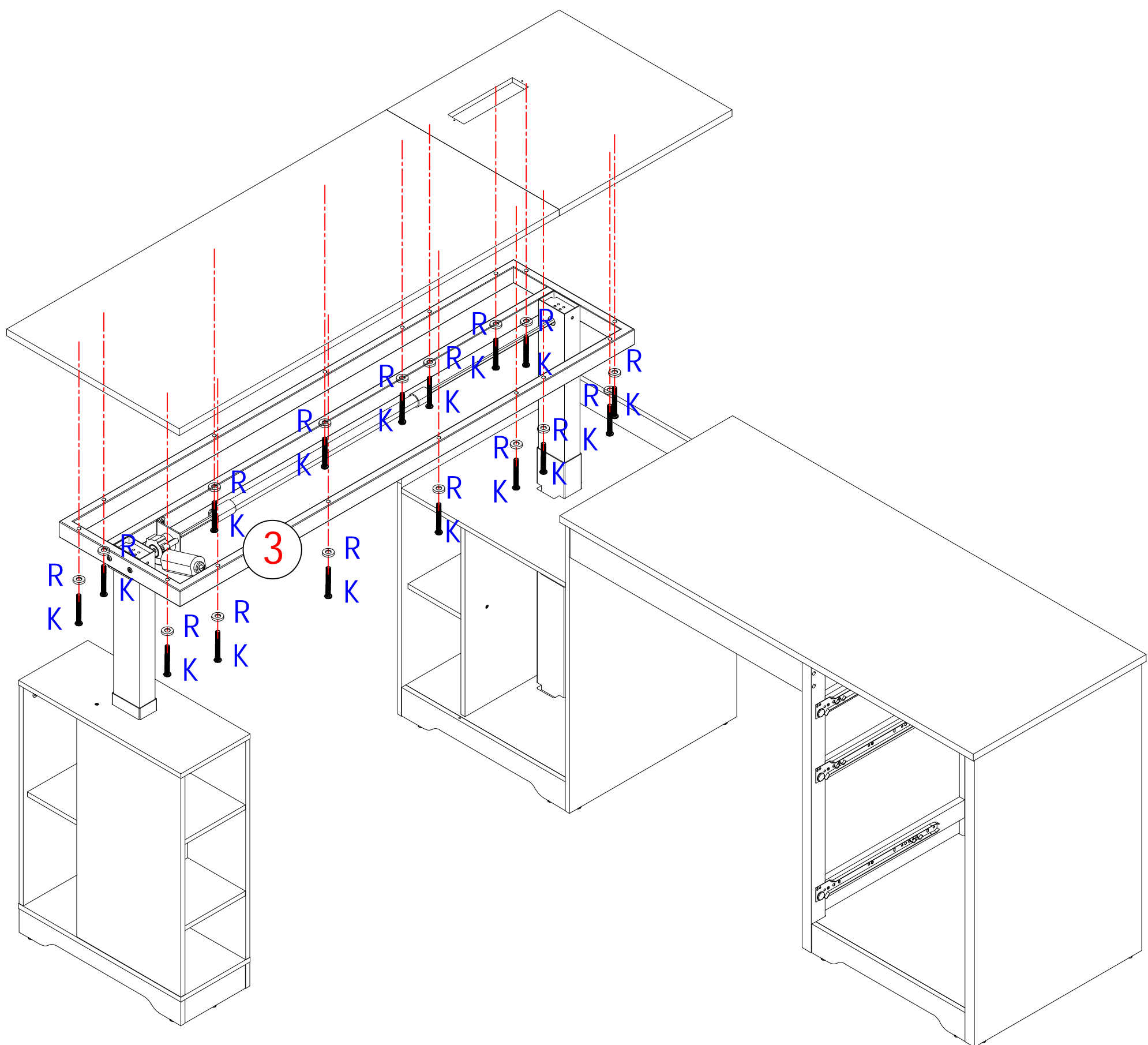
3 PCS

69

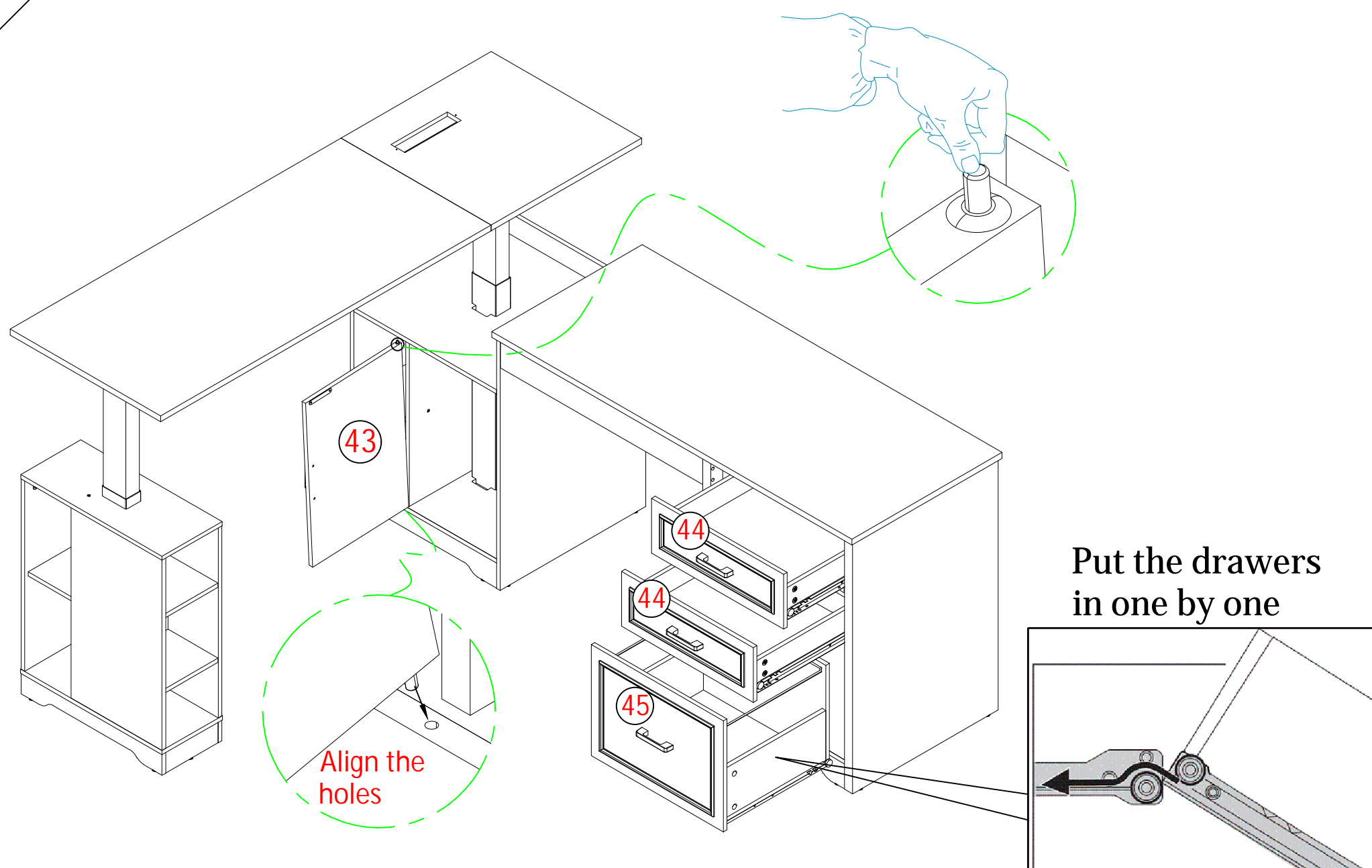


70

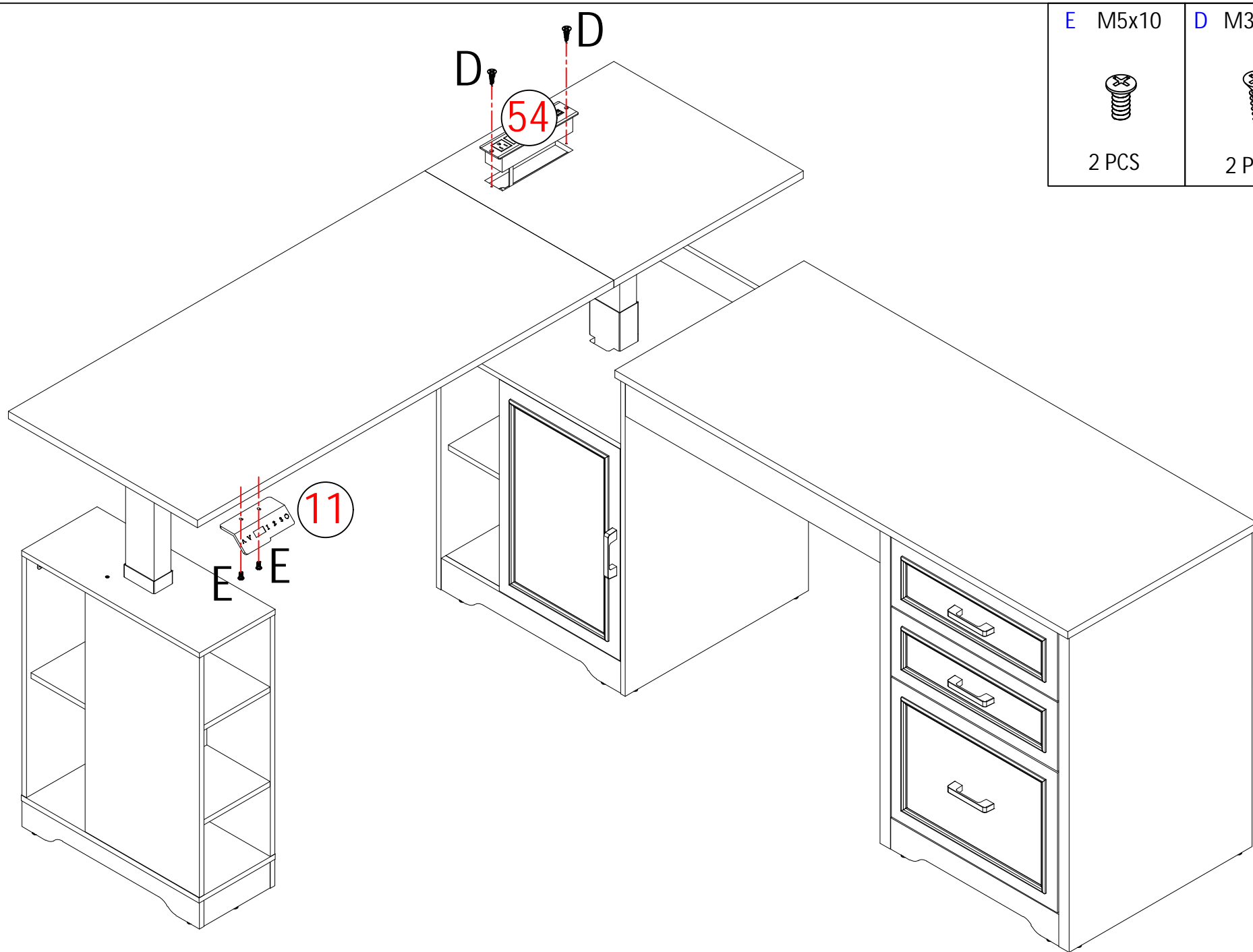
R 15*6*2	K M6x50
	
16 PCS	16 PCS

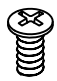



71





72



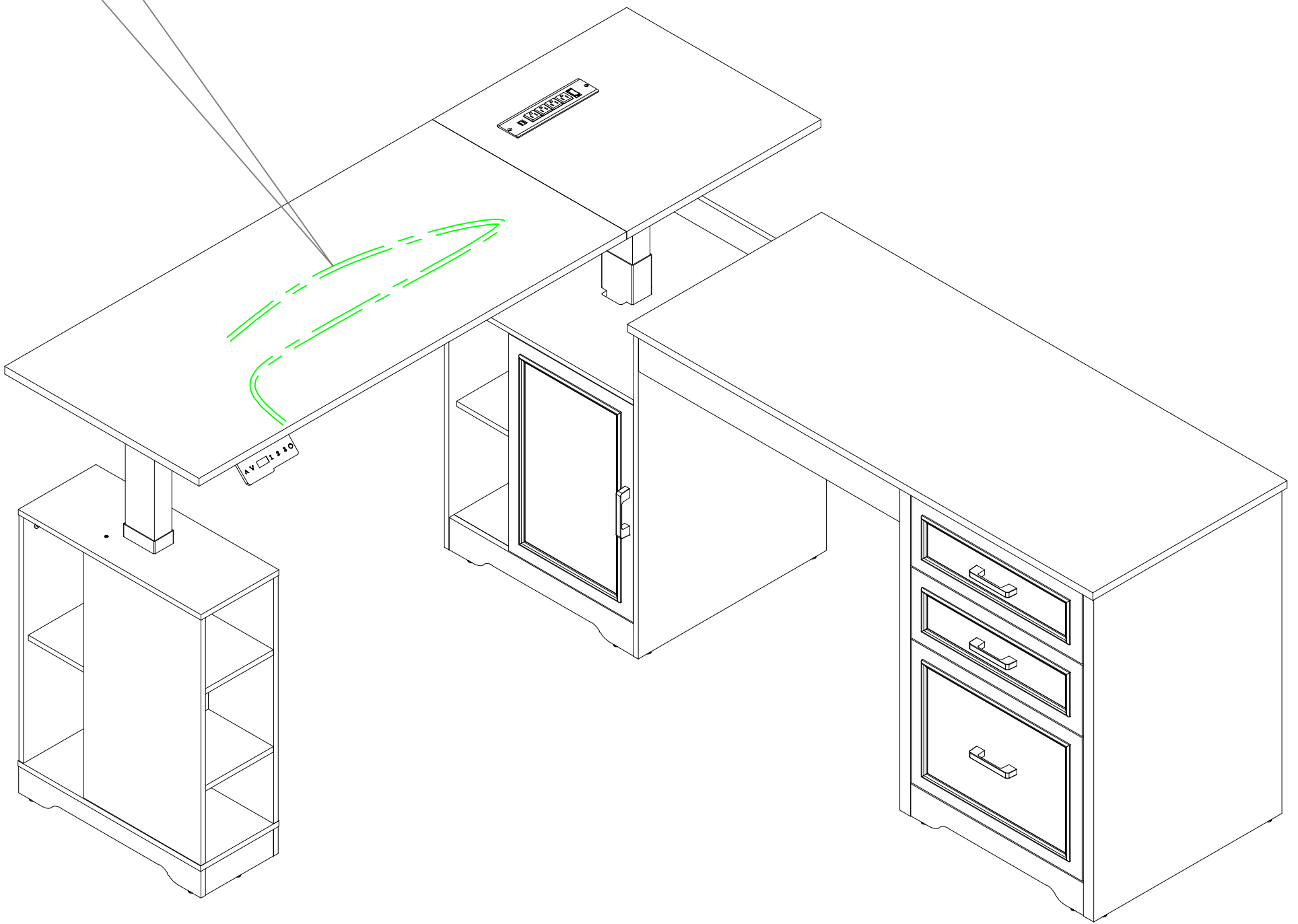
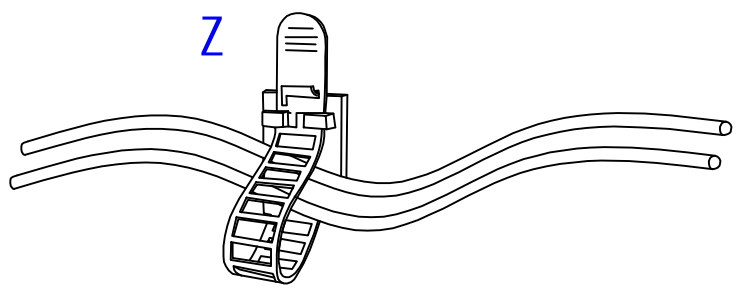
E	M5x10	D	M3.5x12
			
2 PCS		2 PCS	

73

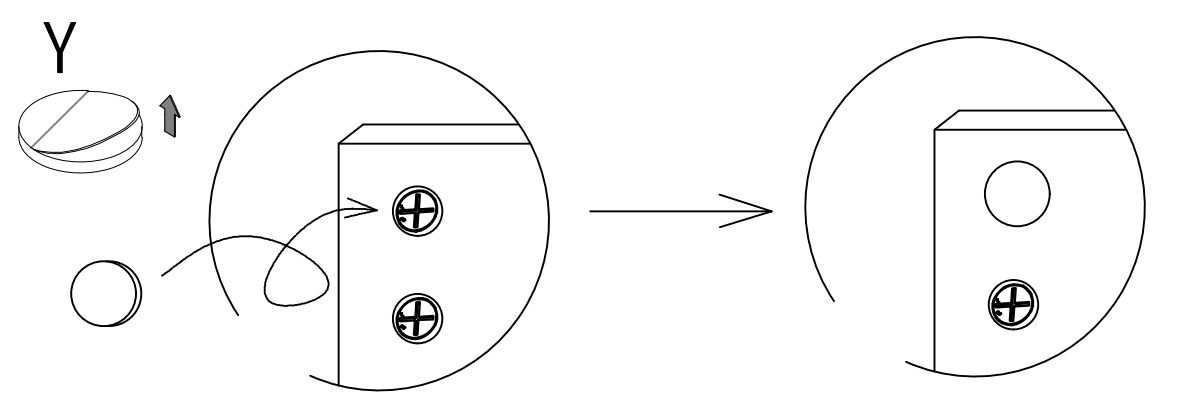
Z	Y Ø22x1
	
3 PCS	12 PCS

To be neater, tidy up the messy wires.

Z



Y

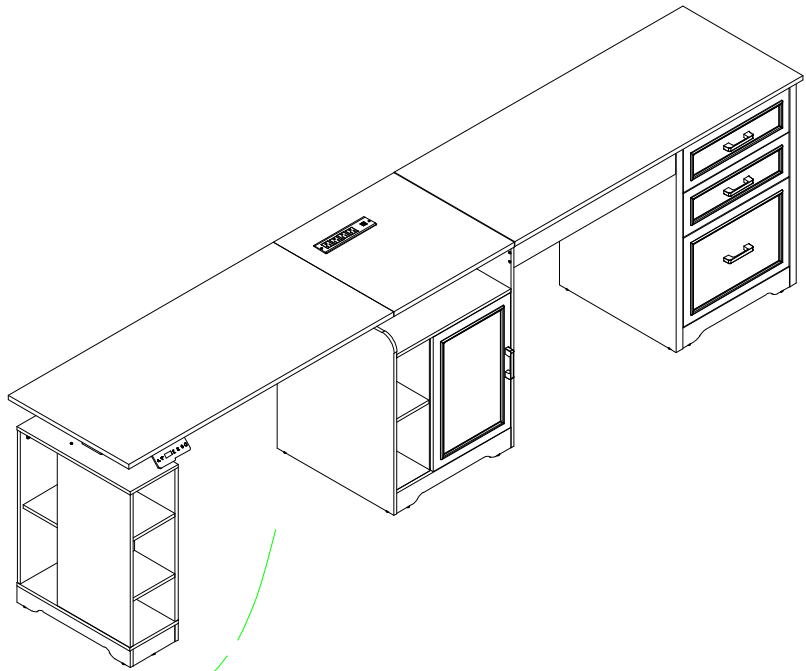


74

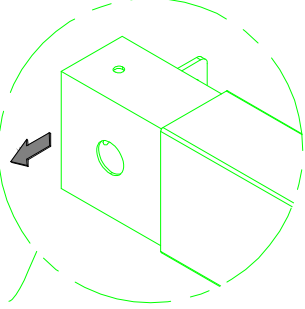
J M8x40



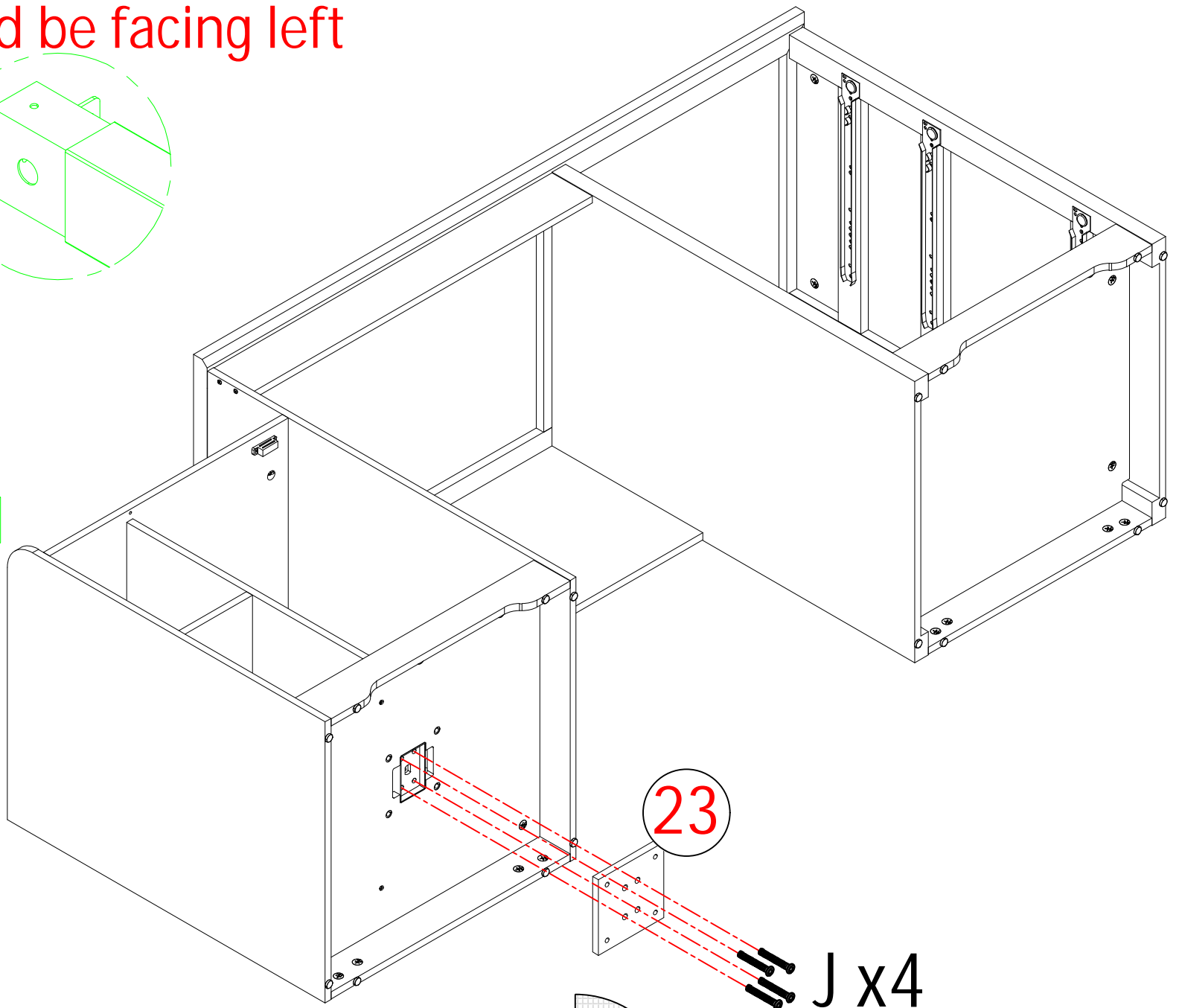
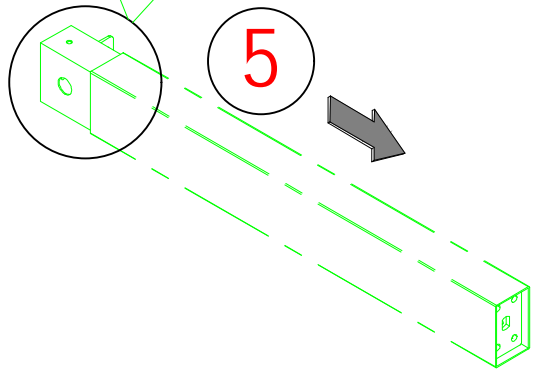
4 PCS



Note: To mount this shape, the hole should be facing left

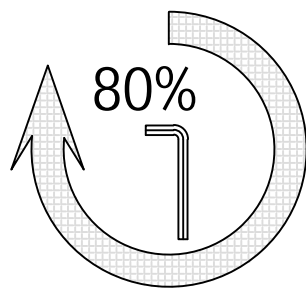


5



23

J x4

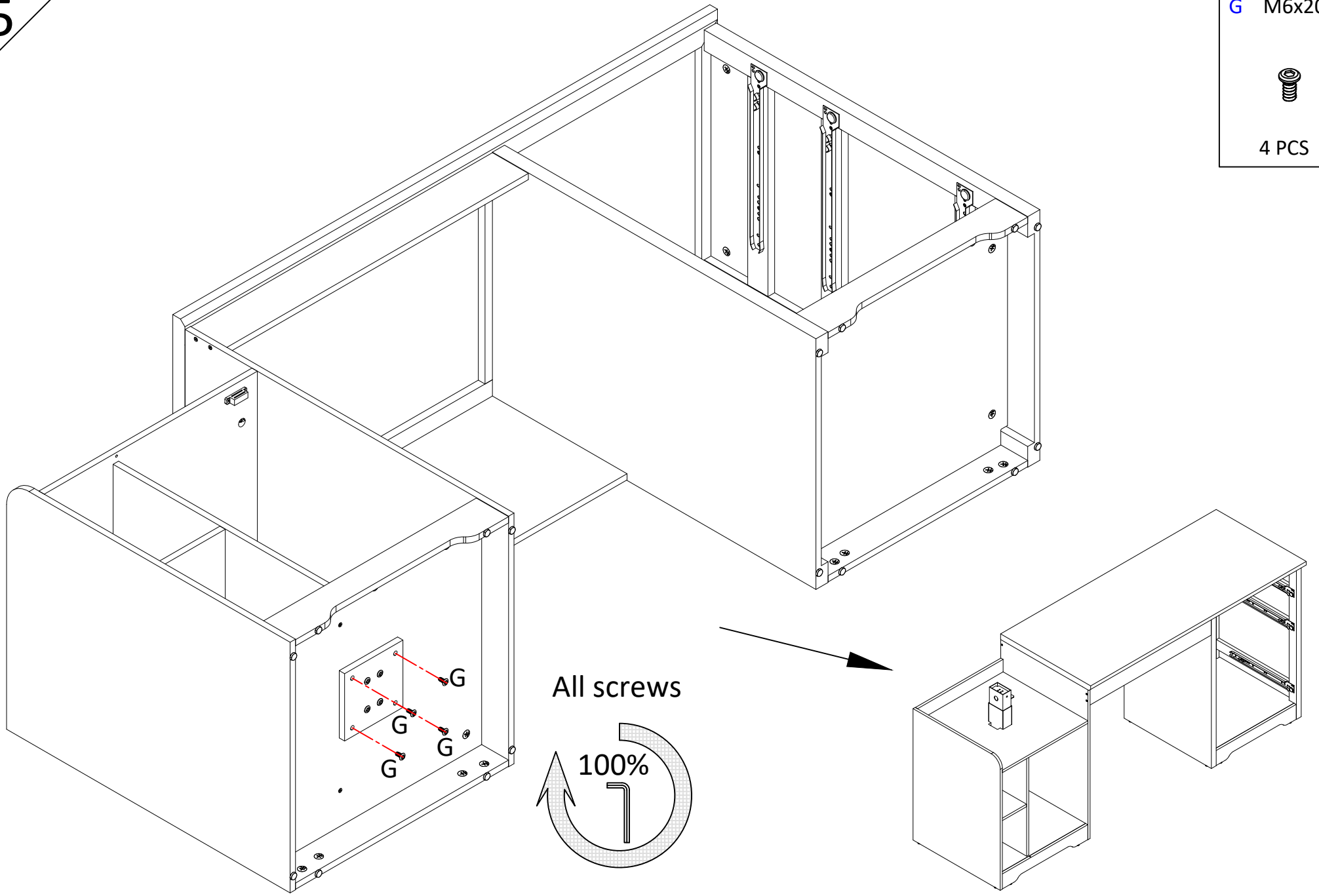


75

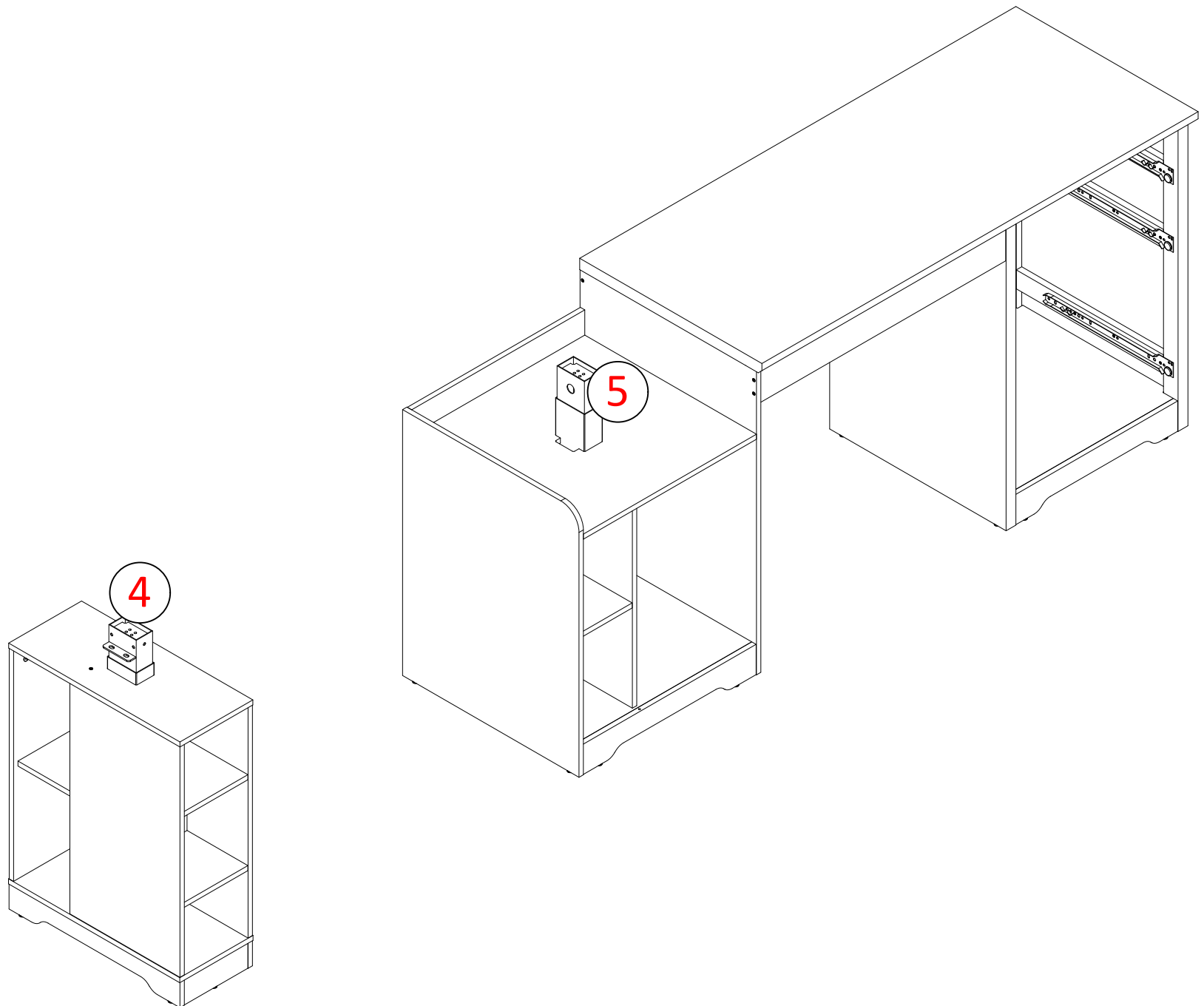
G M6x20



4 PCS



76



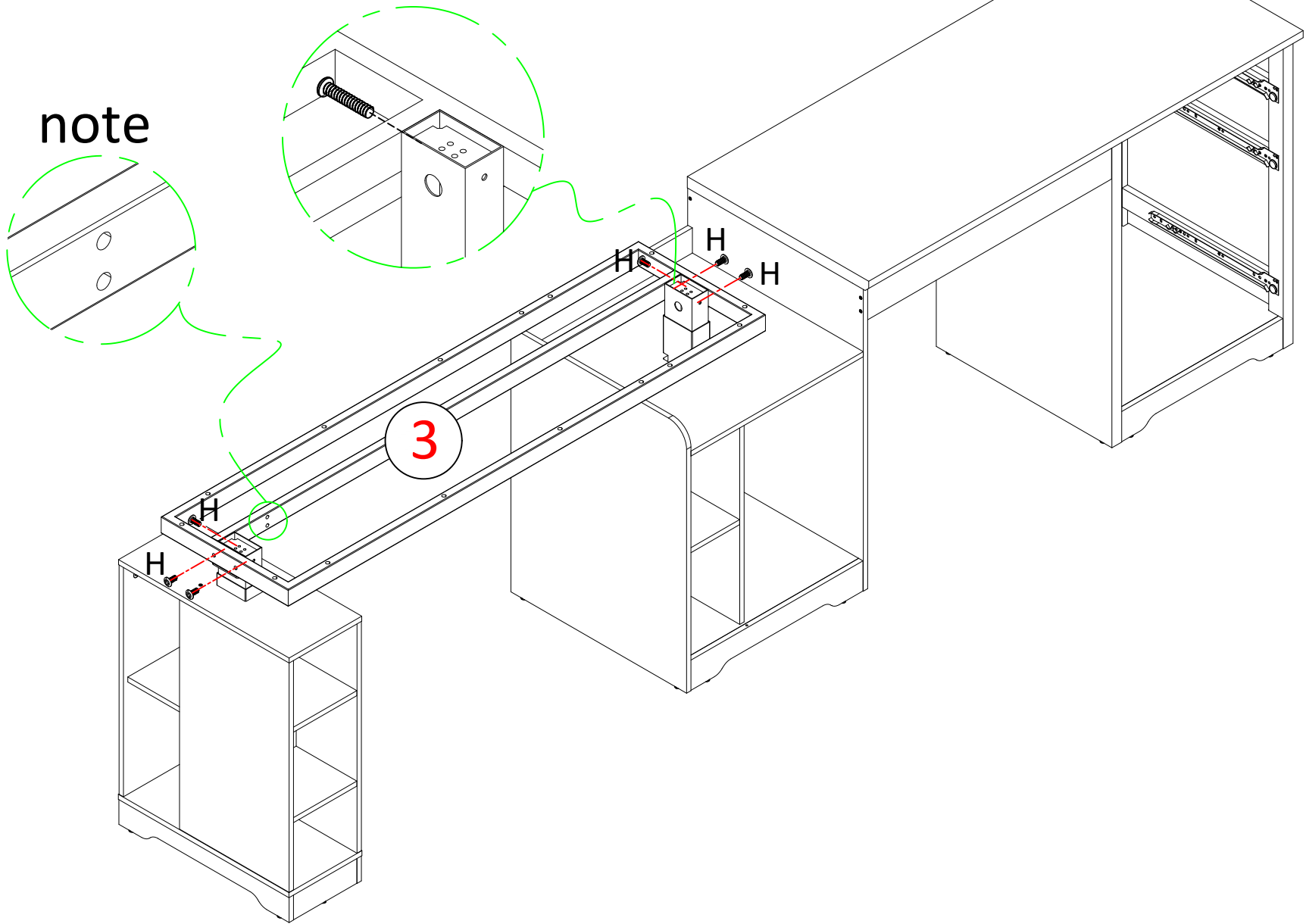
77

H M6x30



6 PCS

note

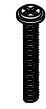


78

I M4x45

O 14\*5\*1

N M4



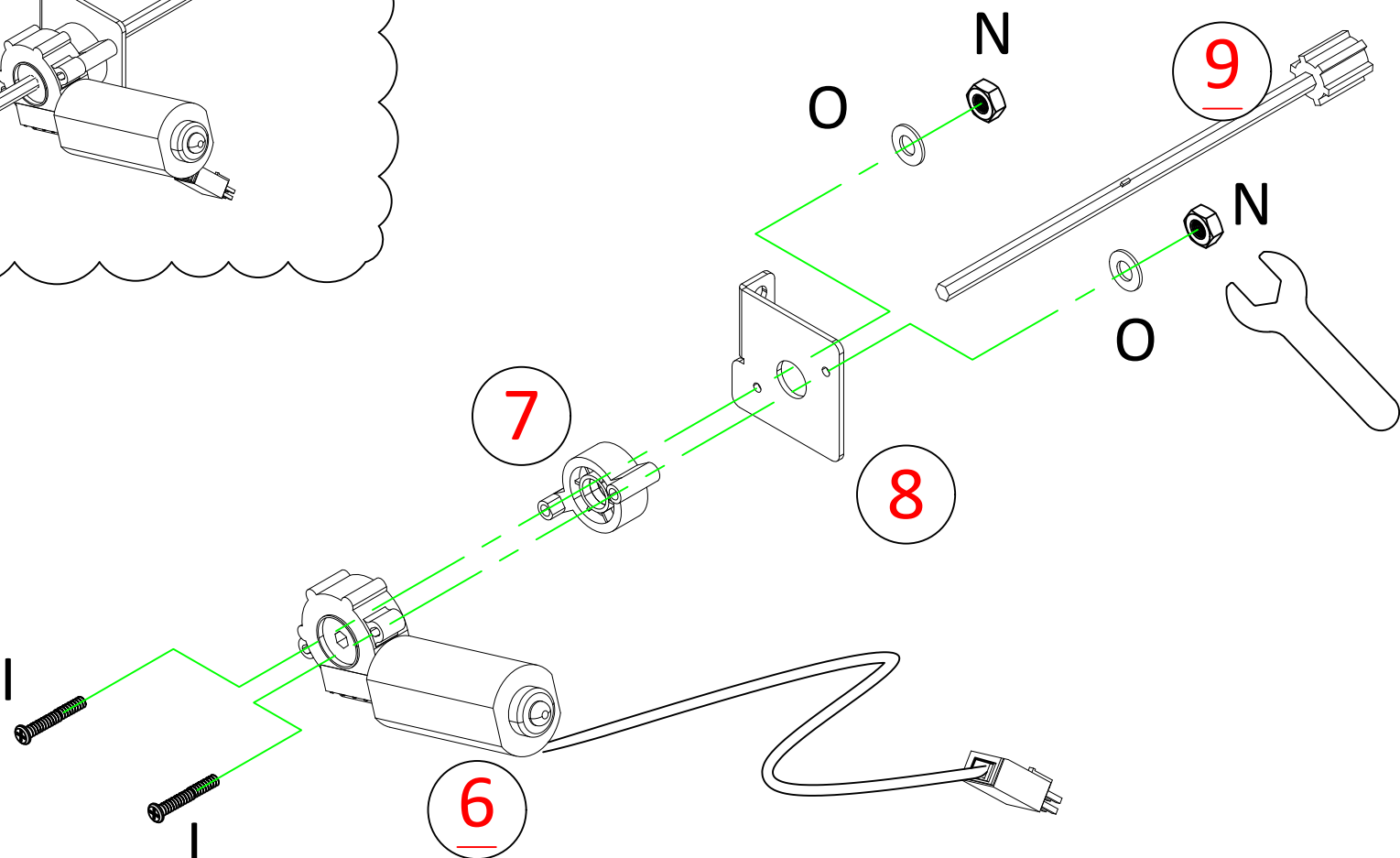
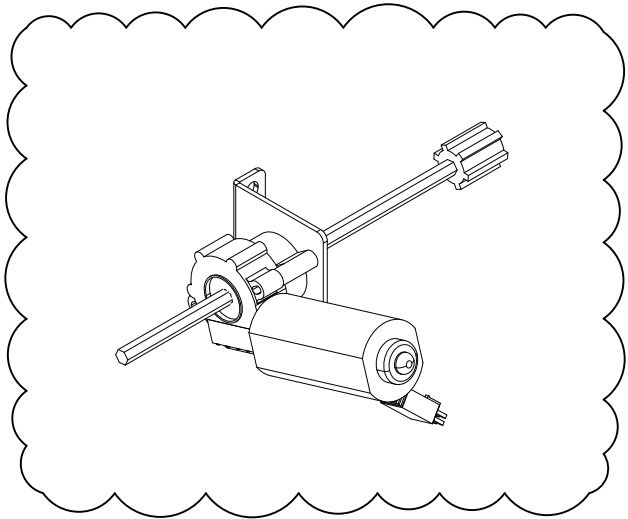
2 PCS



2 PCS



2 PCS



79

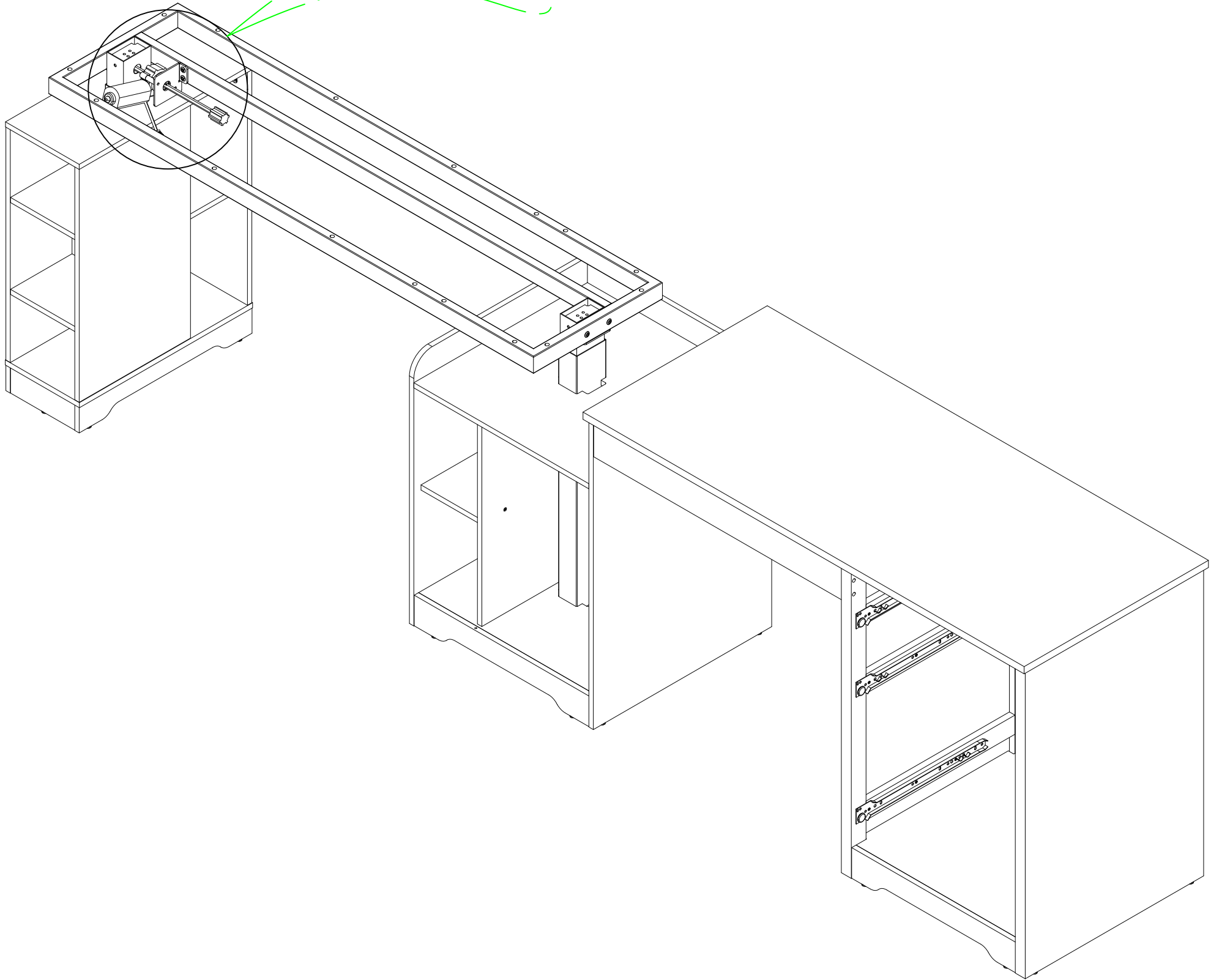
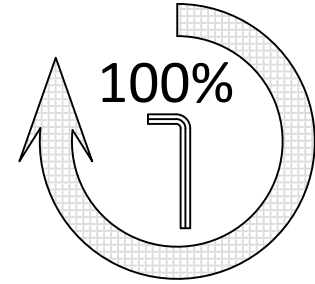
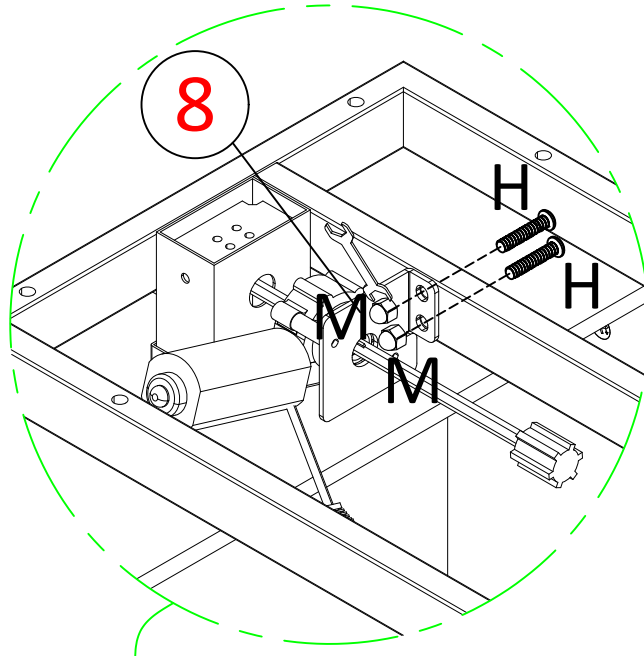
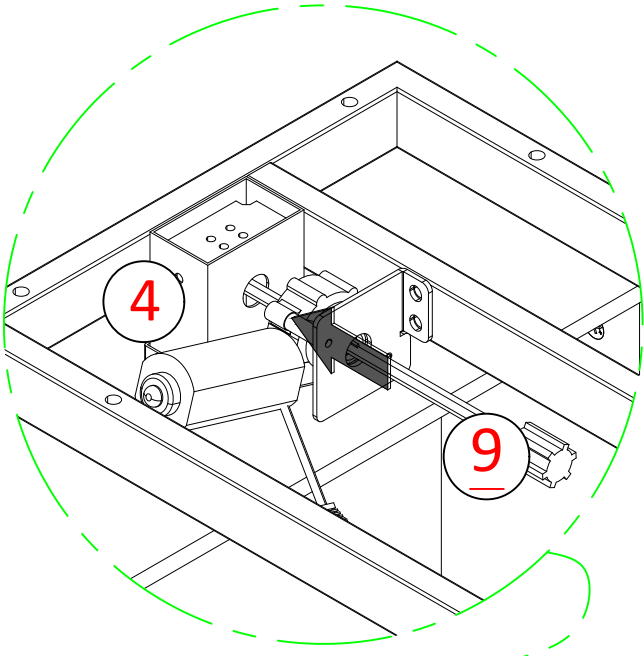
M M6xL12

H M6x30

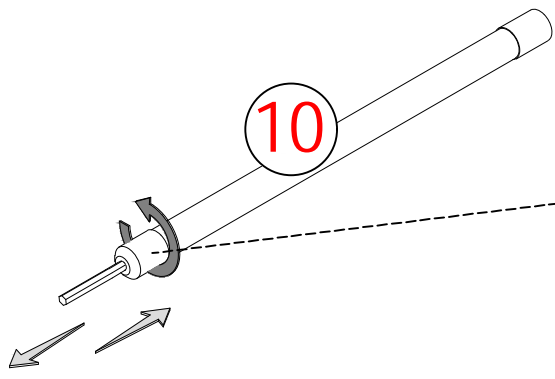


2 PCS

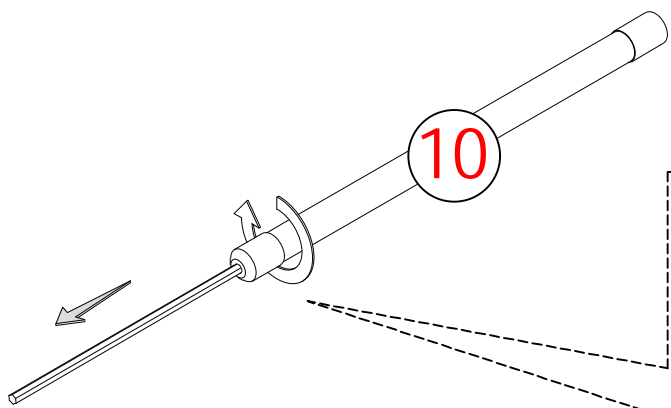
2 PCS



80

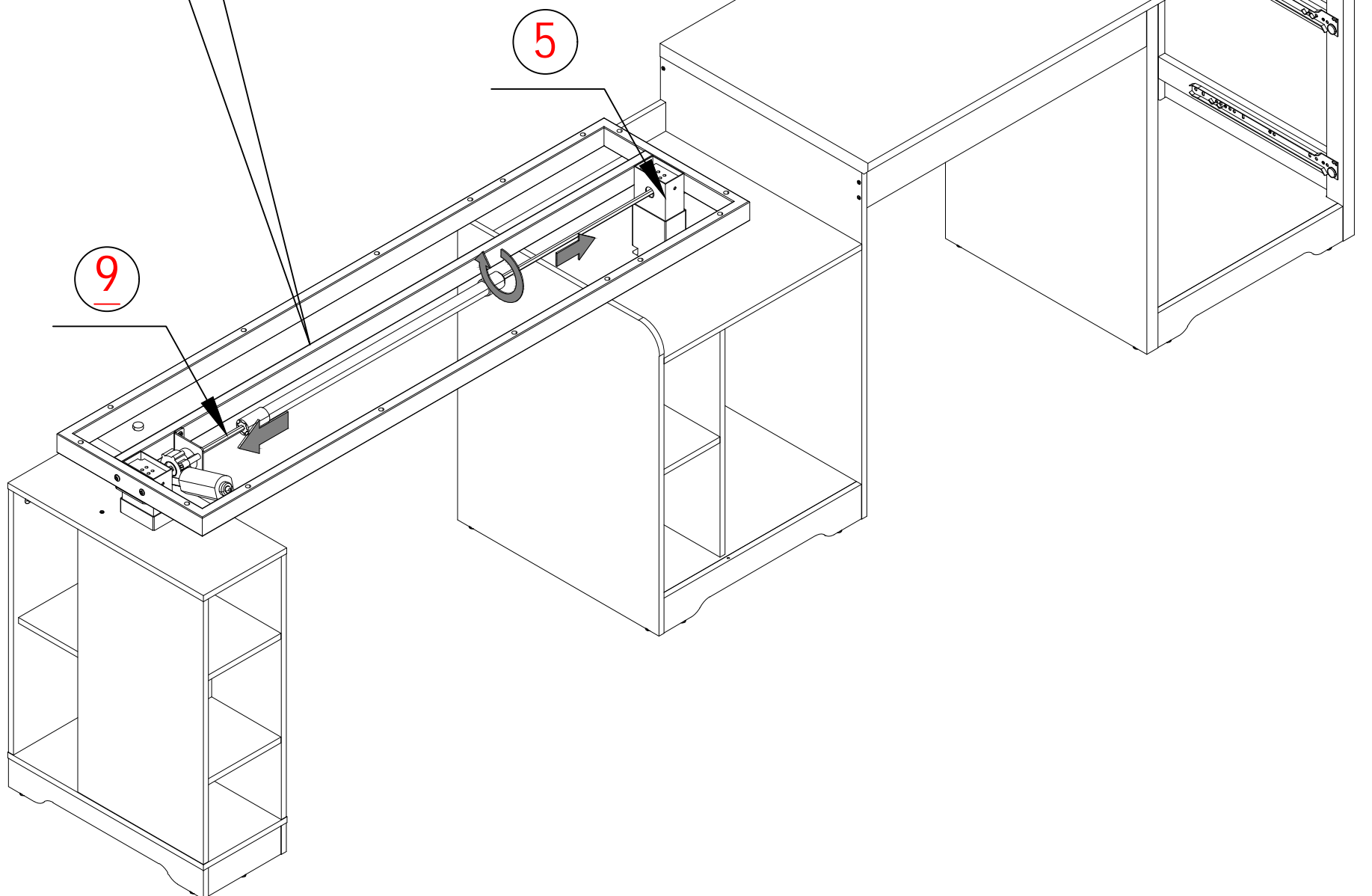


Loosening this button can extend No. 10, while tightening it can secure No. 10.

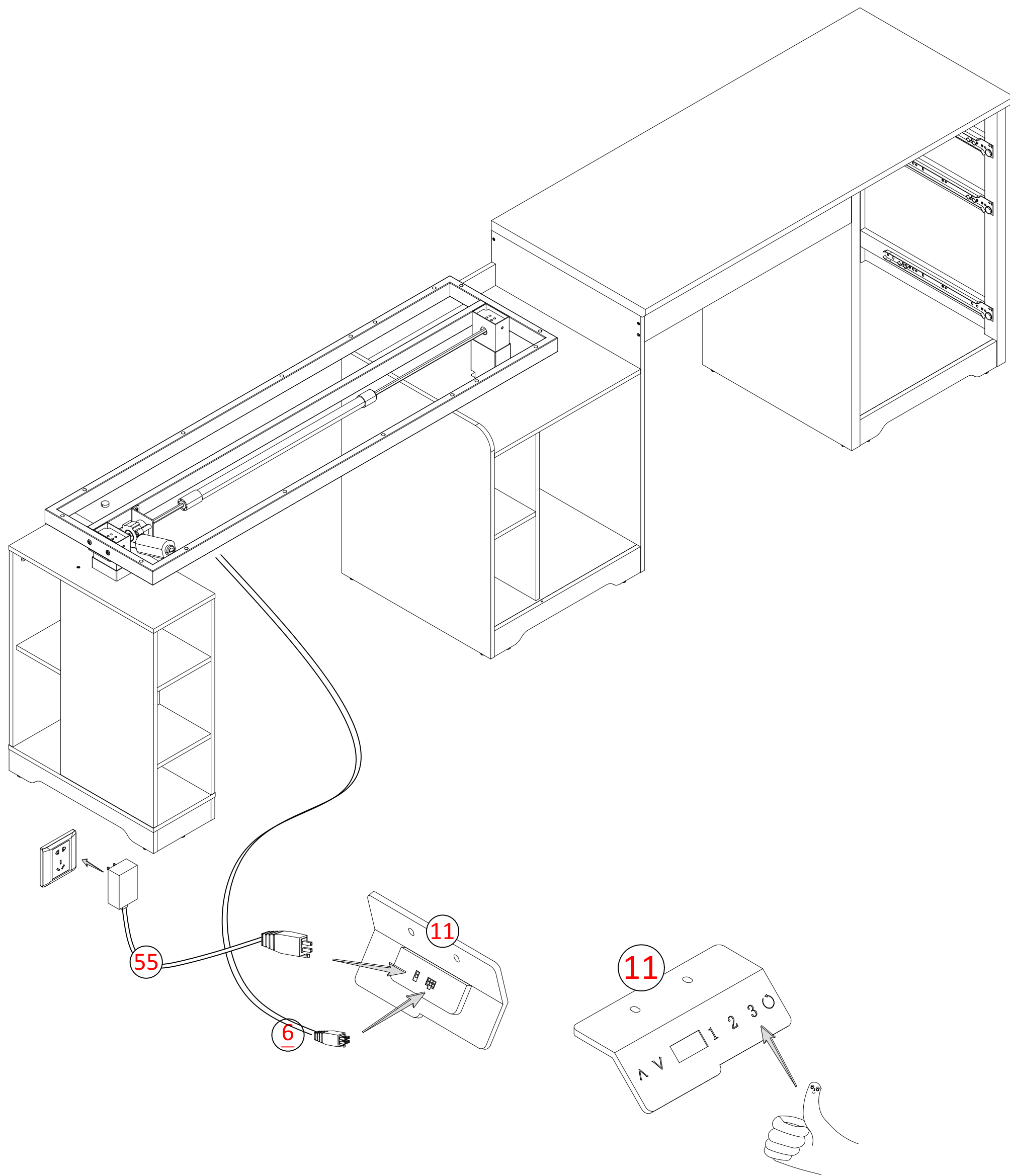


Adjust to the appropriate length for installing No. 10. After the installation is completed, tighten the button to secure the length of No. 10.

First, install the No. 10 connecting rod into the No. 5 lifting leg, then stretch the No. 10 connecting rod and secure it in the No. 9 connecting rod.



81

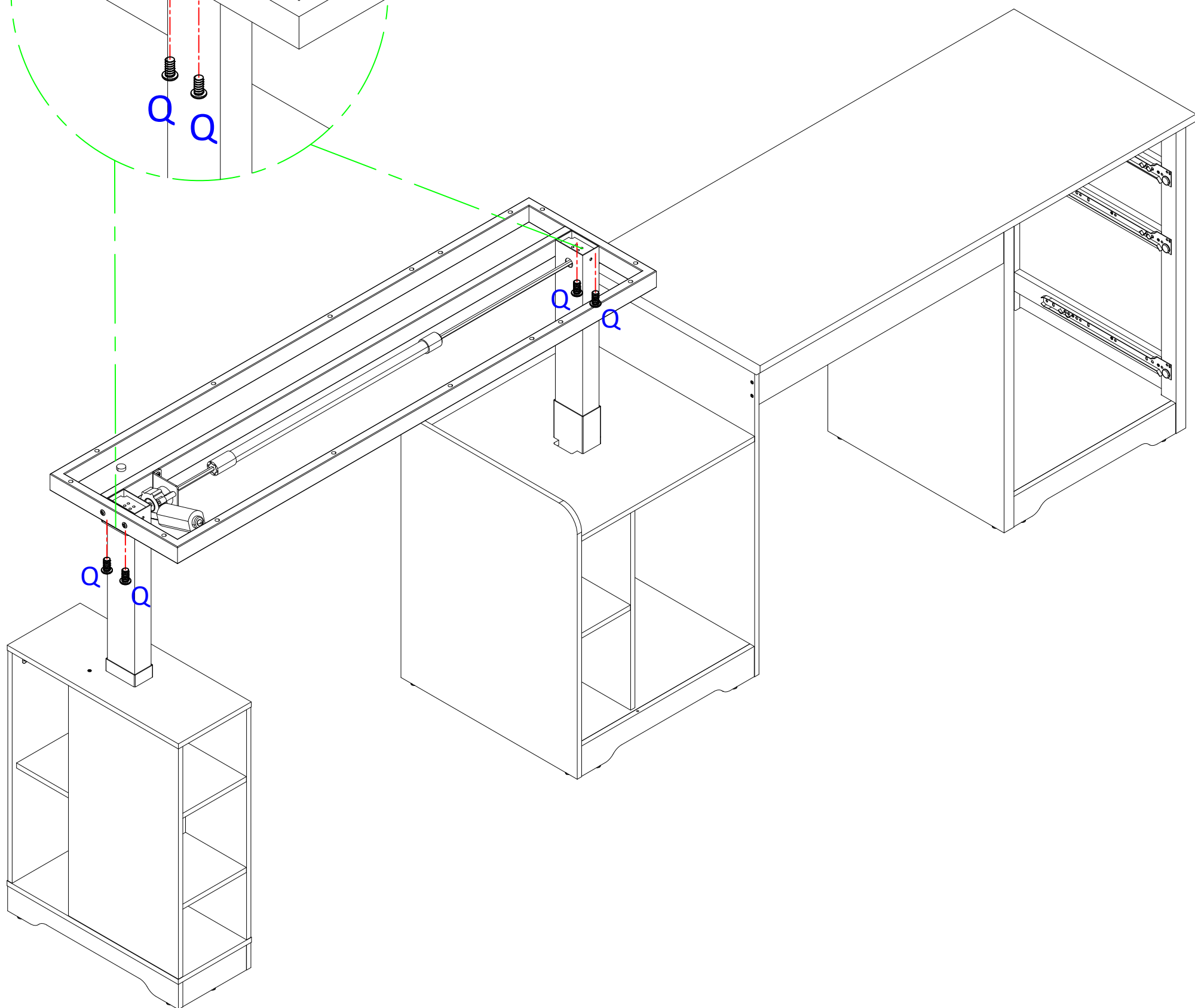
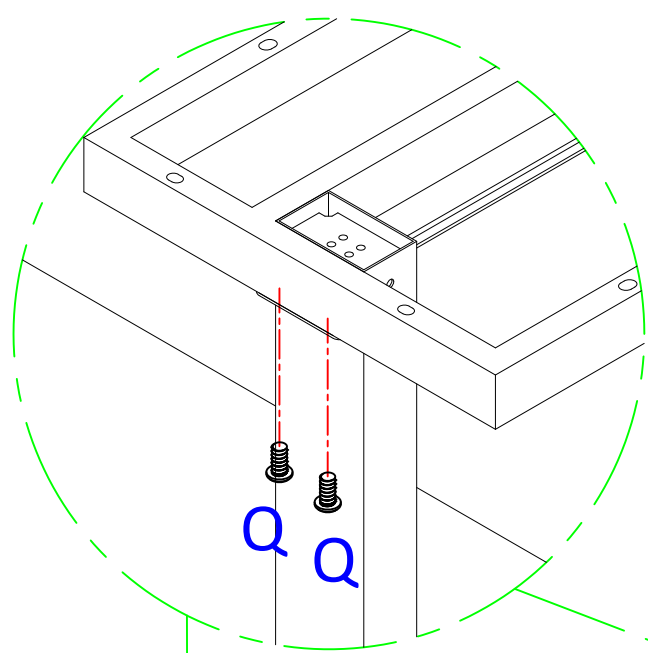


82

Q M6x10

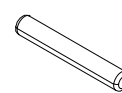


4 PCS

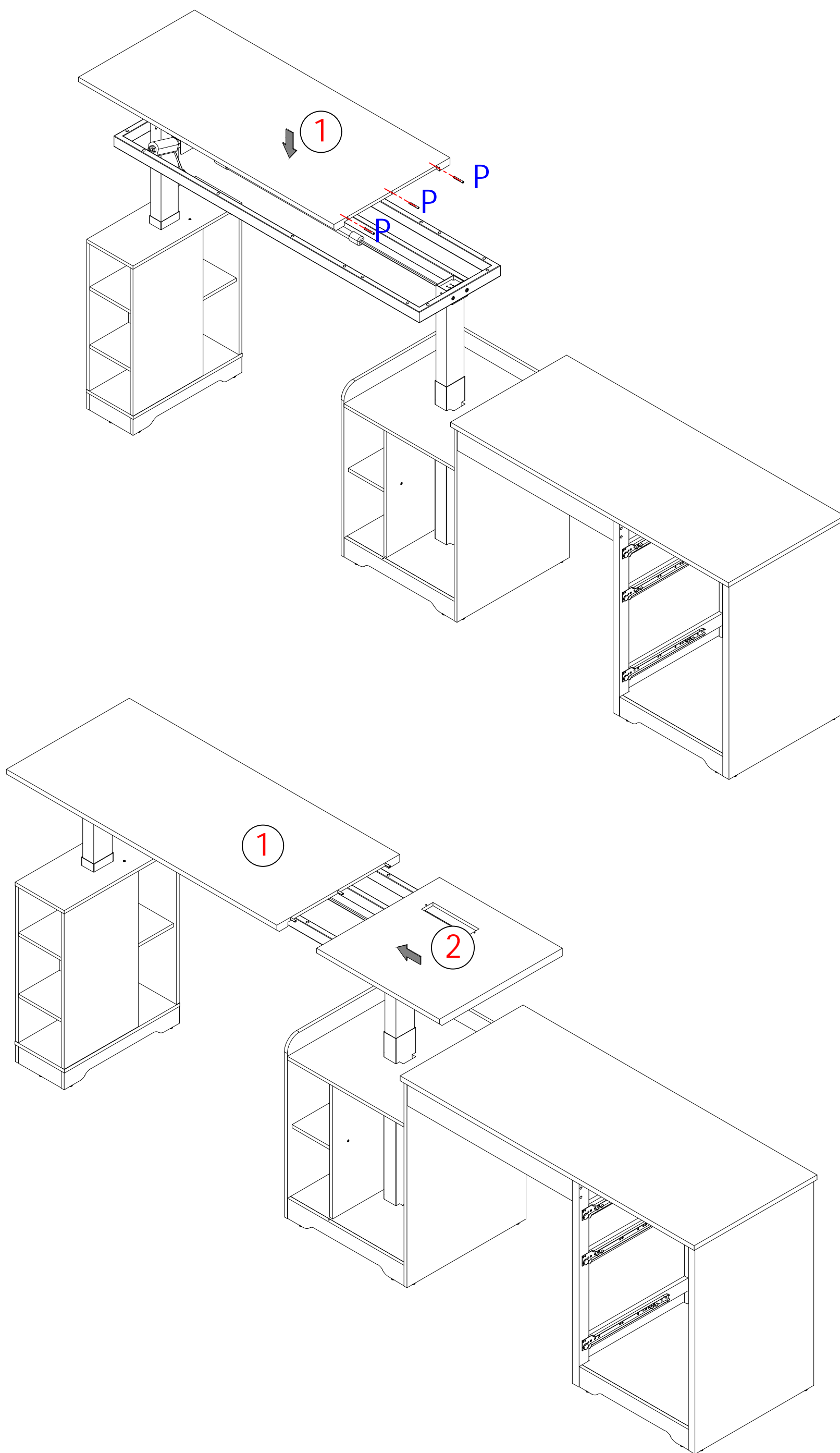


83


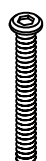
P Ø6x40

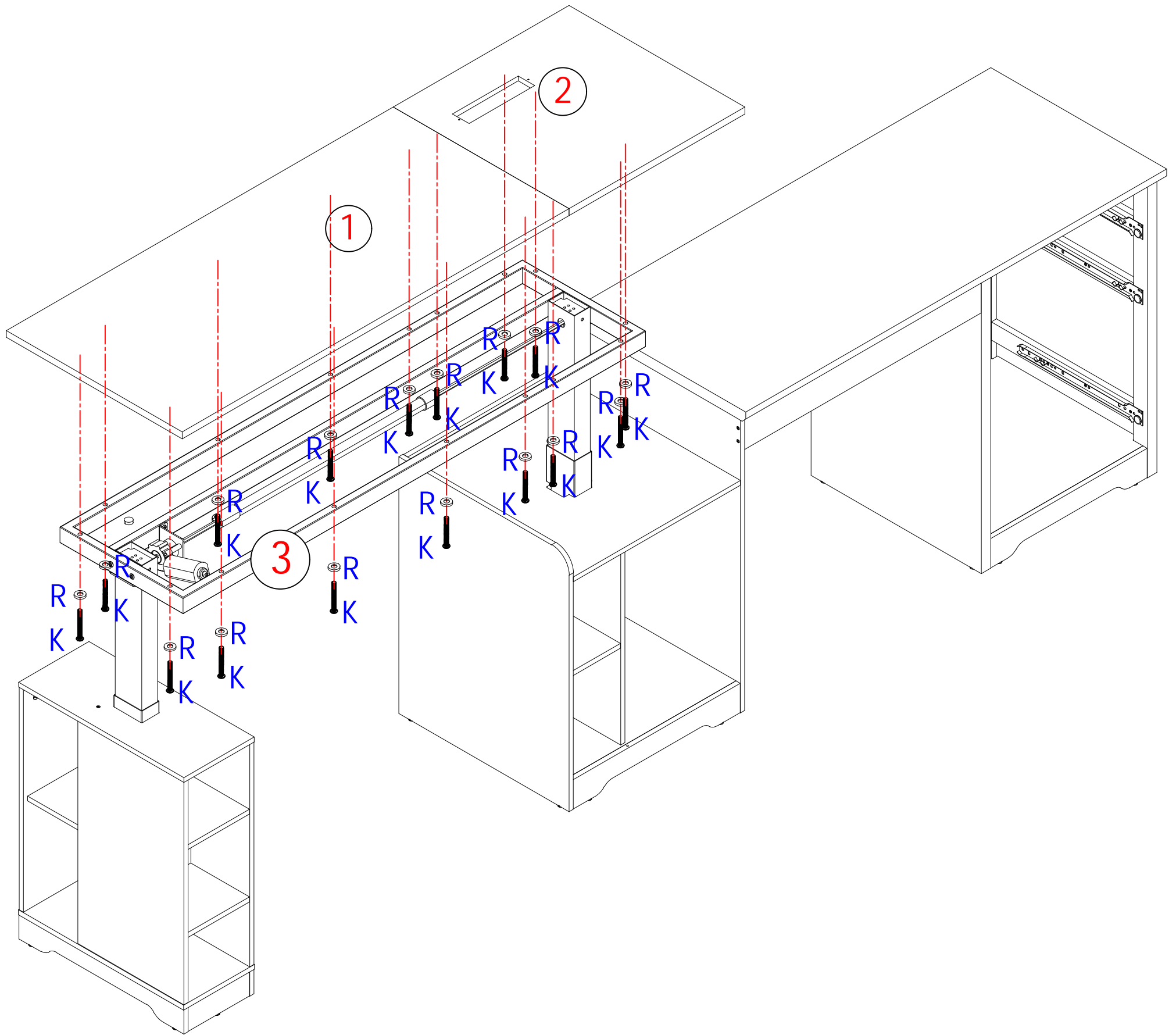


3 PCS

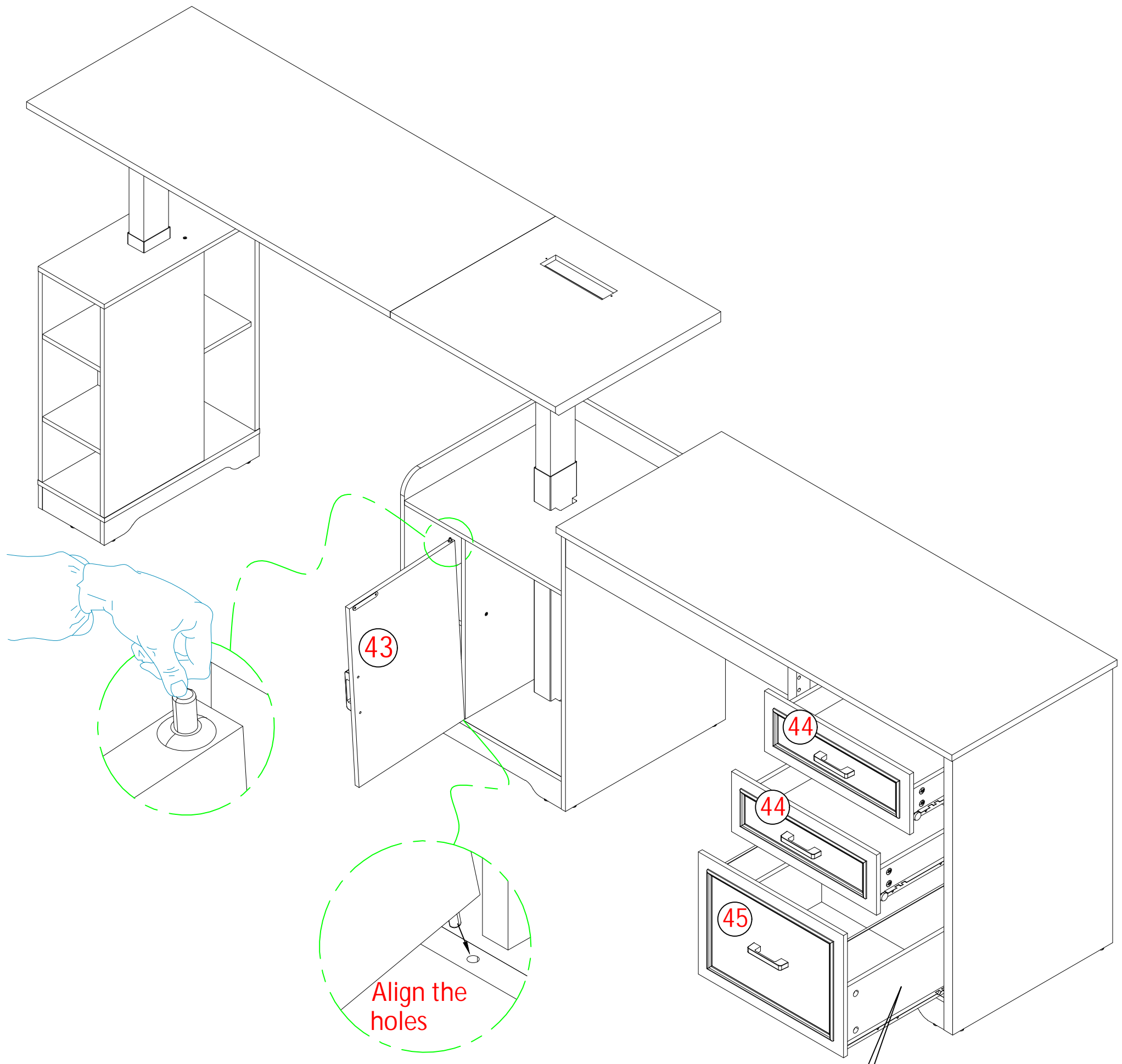


84

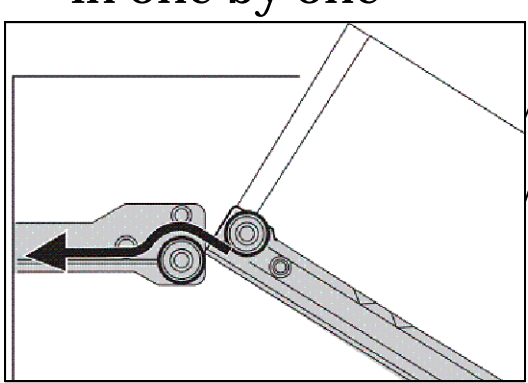
R 15*6*2	K M6x50
	
16 PCS	16 PCS





85

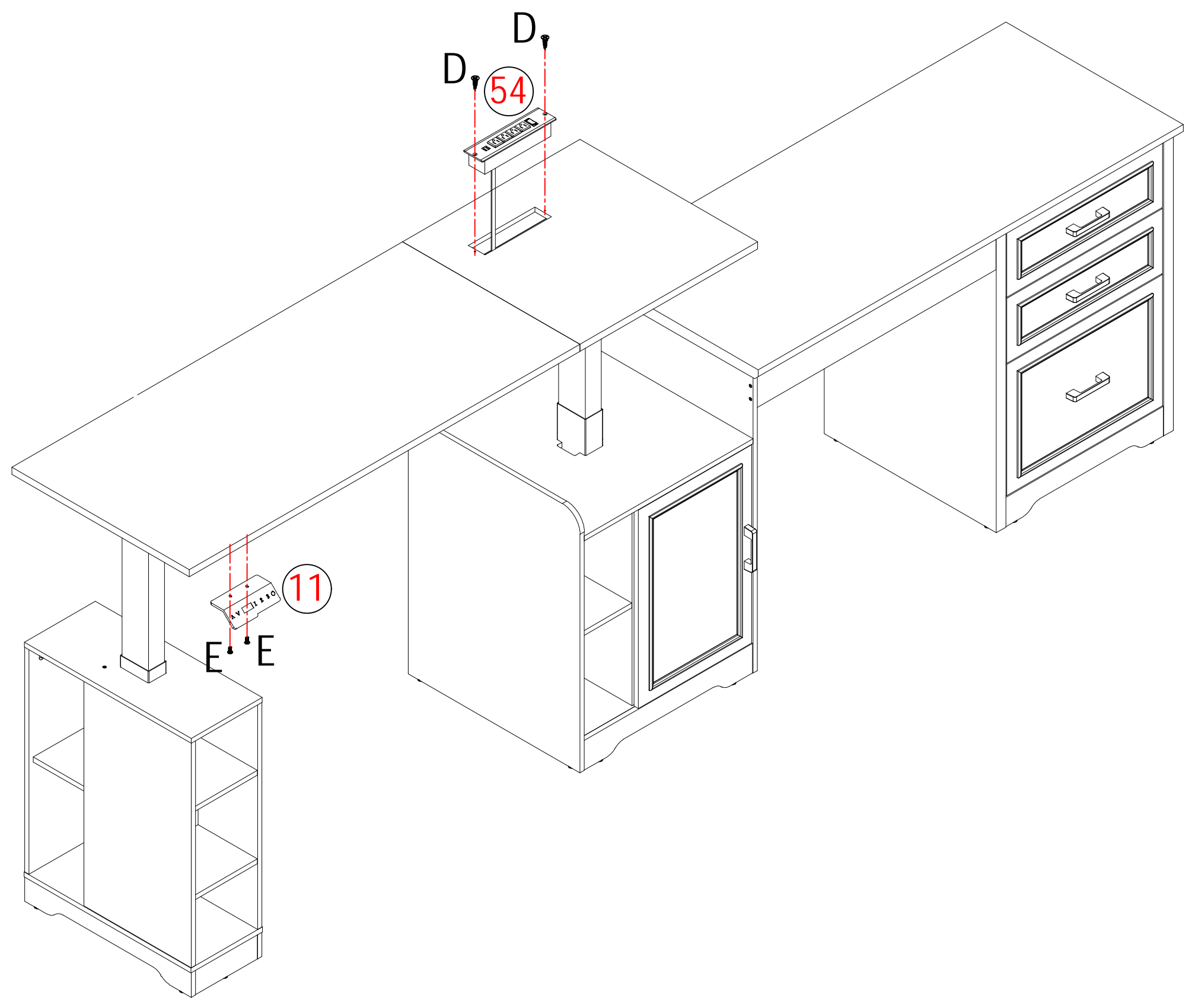


Put the drawers  
in one by one

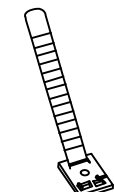



86

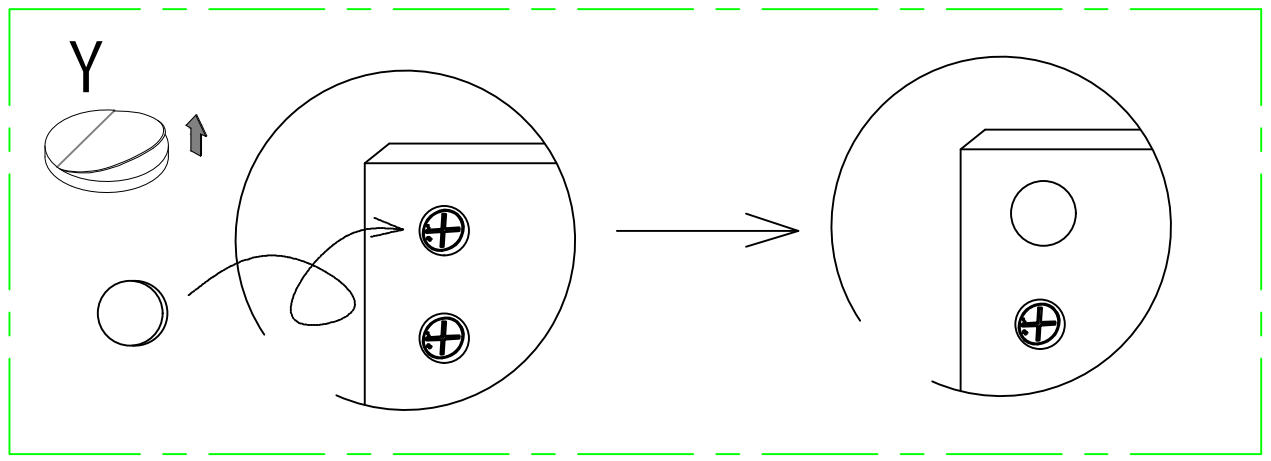
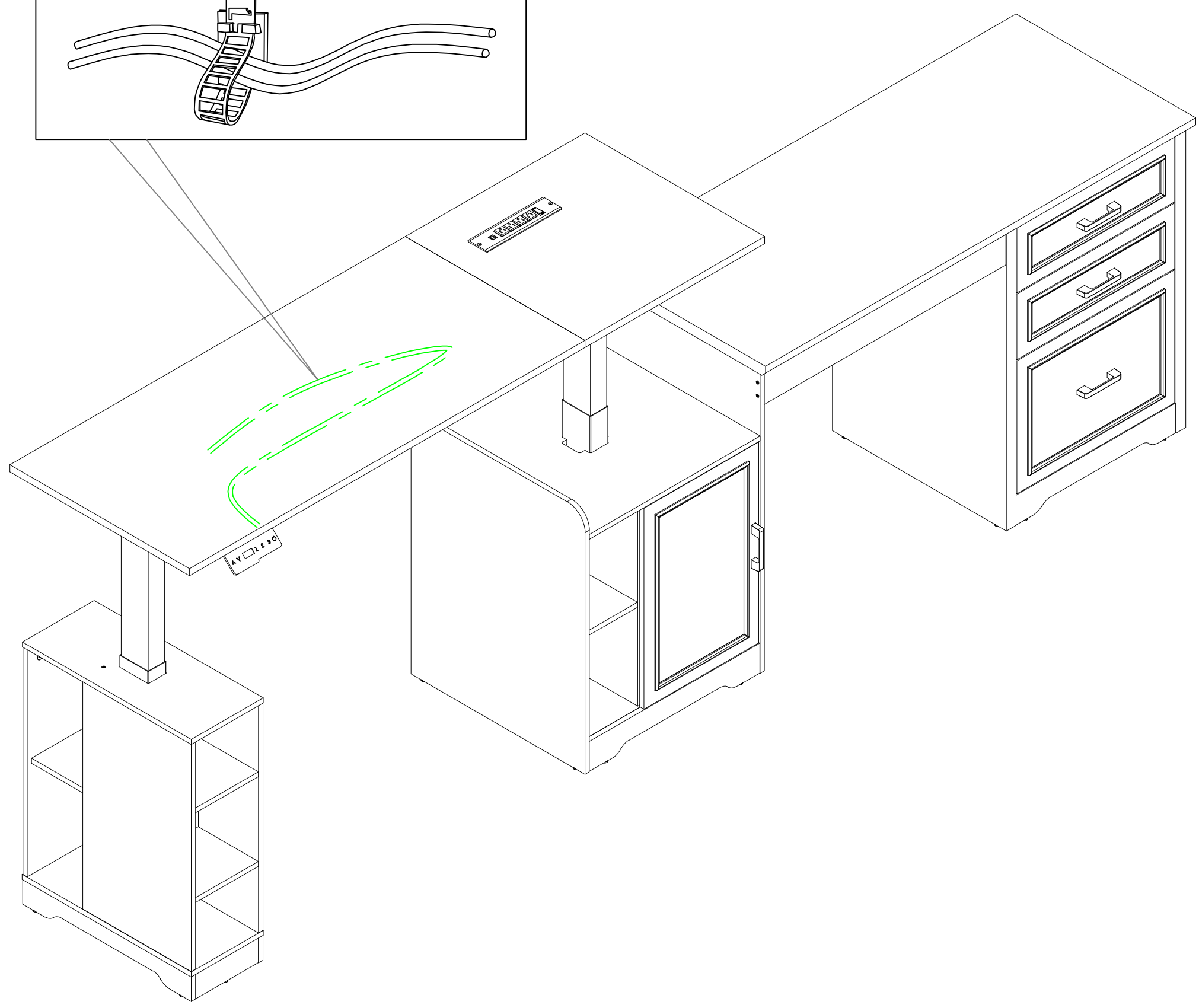
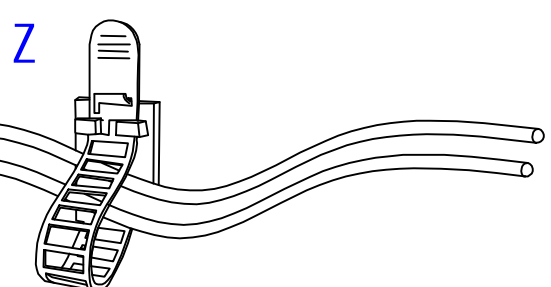
E M5x10	D M3.5x12
	
2 PCS	2 PCS



87

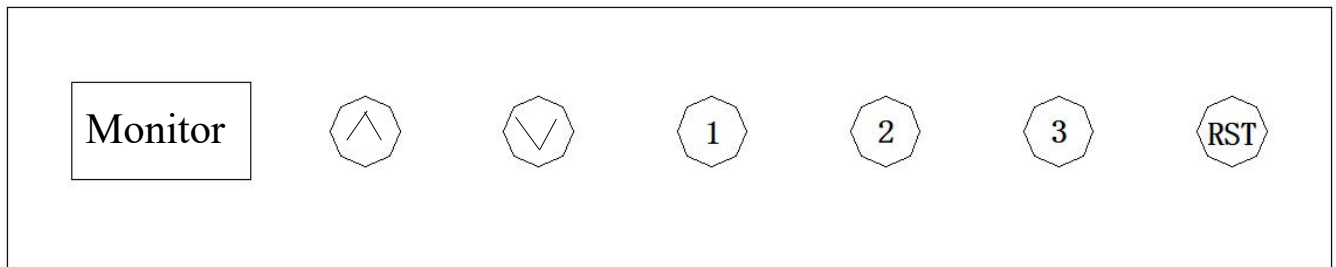
<p>Z</p>  <p>3 PCS</p>	<p>Y Ø22x1</p>  <p>12 PCS</p>
---	--

To be neater, tidy up the messy wires.



# Motor Lift Table Instruction Manual

## Hand controller interface introduction



- ◆ monitor
- ◆ UP: up key
- ◆ DOWN: down key
- ◆ 1: (save key) 1
- ◆ 2: (save key) 2
- ◆ 3: (save key) 3
- ◆ RST: reset

## Up and down key operation

- ◆ When the "up" key is pressed, desktop run up, until the top of the table is reached
- ◆ When the "Down" key is pressed, desktop run down, until the lowest point of the table is reached
- ◆ When short press the "up" or "down" key, The desktop runs a small distance accordingly, Realize jog

## location storage/memory position operation

◆ location storage: Can store 3 memory points, The storage method is as follows, when running to a certain point, At this time, long press the "1 / 2 / 3" button, until the digital number flashes, Save the current altitude to the corresponding label successfully.

◆ memory position operation: Short press "1 / 2 / 3" key, Digital tube flashing memory position height 2S, The desktop automatically runs to the height of the memory position, running, Any key can stop the operation.

## Zero position reset

◆ **After the installation is completed, if the displayed height does not match the actual height, you can perform the following operations.**

◆ Long press "RST" for 3S and wait for the controller running indicator to flash "- - -", Then release the down button to enter the reset mode, The desktop automatically runs down and then up to find the highest and lowest positions, After the end, the desktop will automatically run down to a fixed position, end of reset process

## automatic testing(Do not proactively disclose to end users)

- ◆ The system supports automatic operation, Run time is fixed at 2 minutes, The stop time is determined by the e parameter, Infinite loop. (Please refer to the internal parameter setting and description for stop time.)
- ◆ Enter: Press and hold the "Up" + "Down" + "RST" buttons at the same time for 5 seconds, Nixie tube shows Aot, Indicates automatic test mode.
- ◆ Quit: Press and hold the "Up" + "Down" + "RST" buttons at the same time for 5 seconds, Digital tube display height, Indicates to exit the automatic test mode.

## Minimum limit setting

◆The system supports the minimum height of the desktop, The operation method is, Let the desktop run to the position you want to set, Press and hold the "RST" + "Down" buttons at the same time for 5 seconds, Displaying "-d o" indicates that the lowest position is successfully stored, when running to the lowest point, Display shows "-L o".

◆Cancel storage height, method 1: Mechanical zero reset, The system automatically cancels

Method 2: Let the desktop run to the lowest point, Display shows "-L o", Press and hold the "RST" + "Down" buttons at the same time for 5 seconds, "--d o" indicates successful cancellation.

## Maximum limit setting

◆The system supports the maximum height of the desktop, The operation method is, Let the desktop run to the position you want to set, Press and hold the "RST" + "Up" buttons at the same time for 5 seconds, - u p indicates that the highest position is successfully stored. when running to a high point, Display shows "-HI"

◆Cancel storage height method 1: Mechanical zero reset, The system automatically cancels

Method 2: Let the desktop run to the highest point, Display shows "-HI"; Press and hold the "RST" + "Up" buttons at the same time for 5 seconds, "--up" indicates successful cancellation.

## lock and unlock

◆locking:Press and hold "1" + "2" simultaneously for 5 seconds, when the digital tube displays "L",At this point, the system is locked, Unable to lift and lower the system.

◆Unlock: Press and hold "1" + "2" simultaneously for 5 seconds, When the digital tube displays from "L" to normal digital display, Indicates that the system has been unlocked.

## Stand and sit reminder (countdown)

◆countdown time: 3 gears available, T30 = 30 minutes, T45 = 45 minutes, T60 = 60 minutes.

◆ Start the countdown:Short press "RST", the display will display T30/T45/T60 in sequence, Countdown time starts.

◆Exit countdown:1. Short press "RST", The display shows numbers;

2. The countdown time is up,The display will flash chr,Flashing time is 1 minute,Press any key to stop timing and exit.

3. 3. No operation,It will automatically exit the timer after 3 consecutive reminders at an interval of 5 minutes.

## Restore factory default parameters

◆method:Press and hold "1" + "3" at the same time for 5 seconds, The digital tube displays "C L r",At this point, it indicates that the parameter recovery is successful.

## Internal parameter settings and descriptions

◆Press and hold the "RST+1" button on the hand controller for 10 seconds, You can enter the setting interface,Displays "x-y" while "x" flashes,Where "x" is the parameter group,The parameter value corresponding to "y".At this time, press "RST" to switch the parameter group,Press "Up" or "Down" to correspond to the value of the parameter.After setting the parameters, press and hold the "RST" key for 10 seconds,Return to the running interface,The set parameters are as follows:

Display content	Number range	Setting parameters	illustrate
a-y	0-1	Display format	0 means metric display, 1 means inch display;
b-y	1-2	Number of pole pairs	1 means 1 pair of NS, 2 means 2 pair of NS;
c-y	1-9	Lifting speed	9 files, The smaller the number, the faster the speed. On the contrary, the slower the speed;
d-y	1-9	Anti-pinch value	0 means off, 1 is the lowest sensitivity, 9 is the highest sensitivity
e-y	1-9	Self-test stop time	The setting value multiplied by 2 is the stop time, For example, setting 2, Then the stop time is 4 minutes
H00	40-99	Base height	Indicates the minimum display height-Table lowered to lowest display height
n00	30-99	table itinerary	The height at which the table can be raised and lowered, The length that the table column can extend, This value determines the maximum height of the table, The highest height display is h00+n00;
L00	3-40	Screw lead	Indicates the lead - one turn of the screw, the raised height of the table, The lead parameters must be accurate, Otherwise, the table itinerary will be inaccurate.
F-y	0-1	Motor direction	0/1 Change motor direction
r-y	0-4	Screen off control	0, do not turn off the screen, 1, turn off the screen.

## Error code table

error code	illustrate	How to handle
E01	motor not connected	Press the up or down button again, still exists, Please check the column motor connection line
E02	Motor overcurrent	Press the up or down button again, still exists, Please replace the motor or reduce the load
E03	Motor Hall fault	Press the up or down button again, still exists, Check connections or replace motor
E04	Abnormal main power	Cannot be eliminated after power failure, Replace the power supply
E05	Abnormal motor current	It cannot be eliminated after power failure and needs to be returned to the factory
E06	The motor power device is broken	It cannot be eliminated after power failure and needs to be returned to the factory
E08	Over temperature protection	wait for the temperature to drop
E09	Motor stall	Press the up or down button again, still exists, Please replace the motor or reduce the load
RST	Illegal power down	Reduce the load or check for loose power cables

Thank you  
for choosing our product

Made In China