














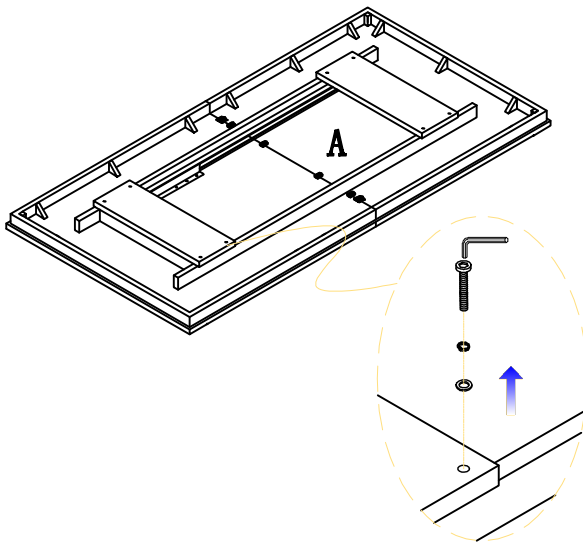


# Assembly Instruction

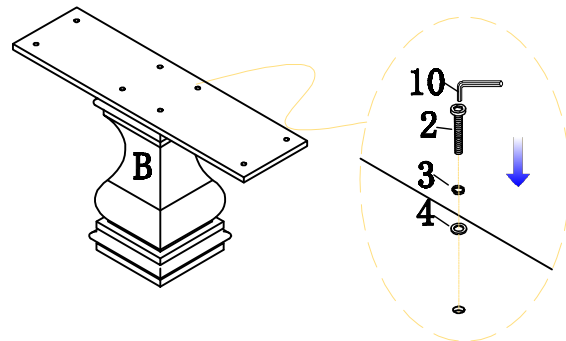
## DINING TABLE TOP, PINE/POPLAR

PART LIST					HARDWARE LIST			
A	TOP PANEL		1 PC	1	BOLT-LARGE		5/16"*3-1/2"	8 PCS
B	LEG		2 PCS	2	BOLT-MIDDEL		5/16"*2"	8 PCS
C	BASE		2 PCS	3	LOCK WASHER		5/16"	16 PCS
D	STRETCHER		1 PC	4	FLAT WASHER		5/16"*19mm	16 PCS
E	MIDDEL PANEL		1 PC	5	WOODEN DOWEL		10*40mm	4 PCS
				6	HEXAGON NUT		5/16"	2 PCS
				7	HALF ROUND NUT		5/16"	2 PCS
				8	BOLT		5/16"*3"	2 PCS
				9	SPANNER		13mm	1 PC
				10	ALLEN WRENCH		5mm	1 PC

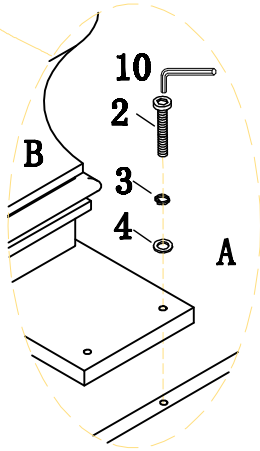
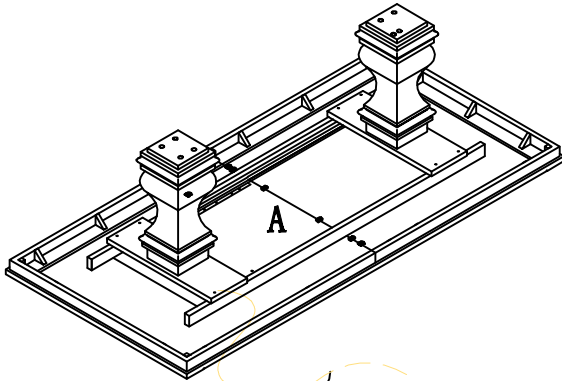
STEP 1



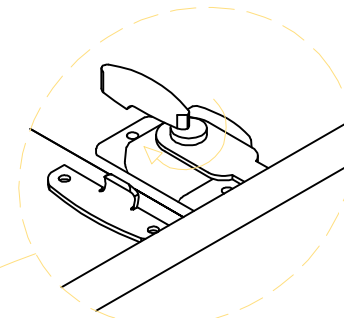
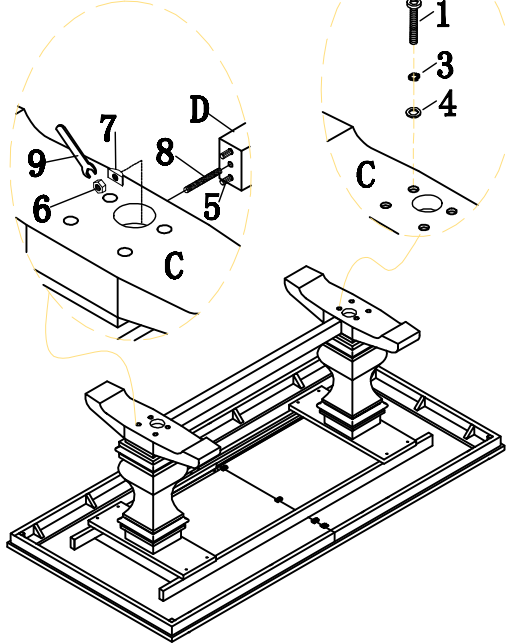
STEP 2



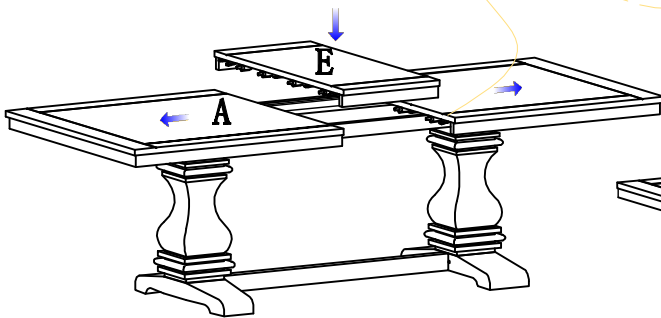
**STEP 3**



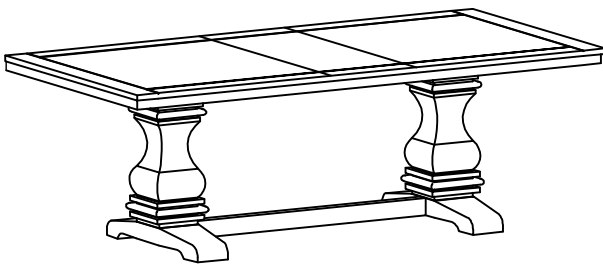
**STEP 4**



**STEP 5**



**STEP 6**



Caution: Please always lift the complete table only by the two specified sides as shown in the below diagram.

