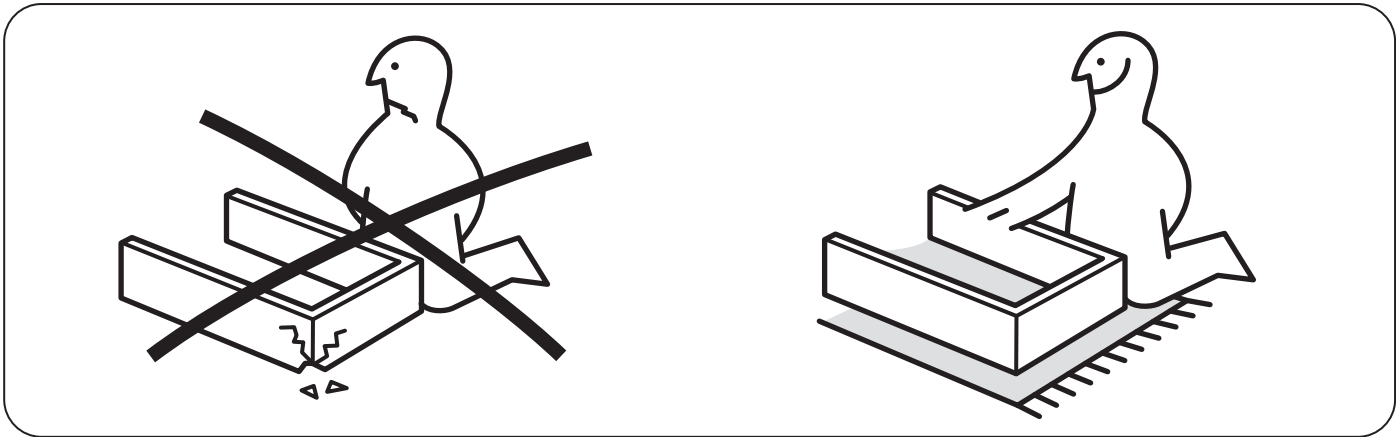
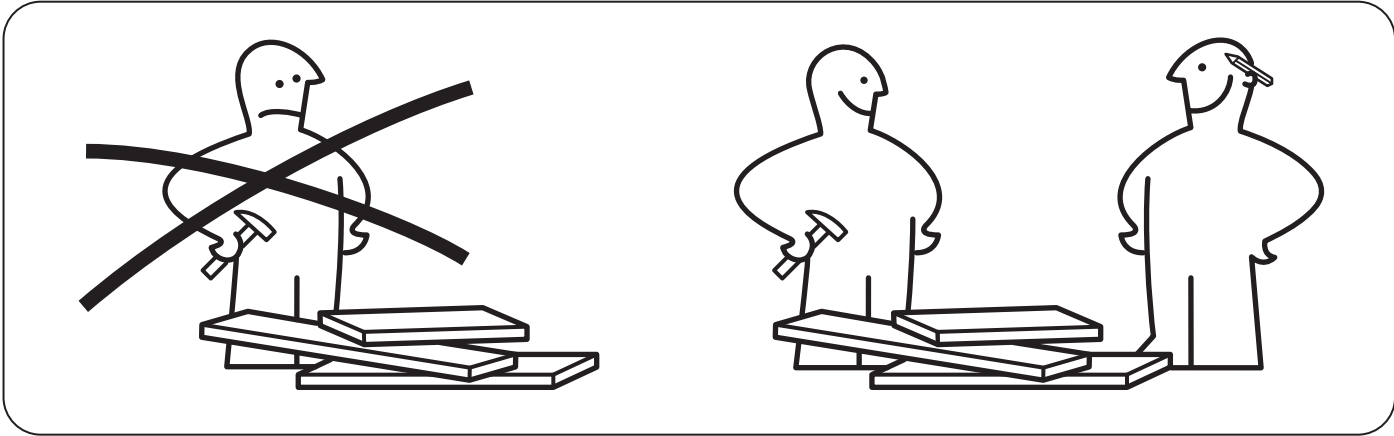
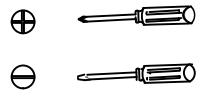


Thanks for purchasing one of our products,  
please carefully read the assembly instructions  
before installation(Attention:Do not tighten  
the screws before all screws are in place).

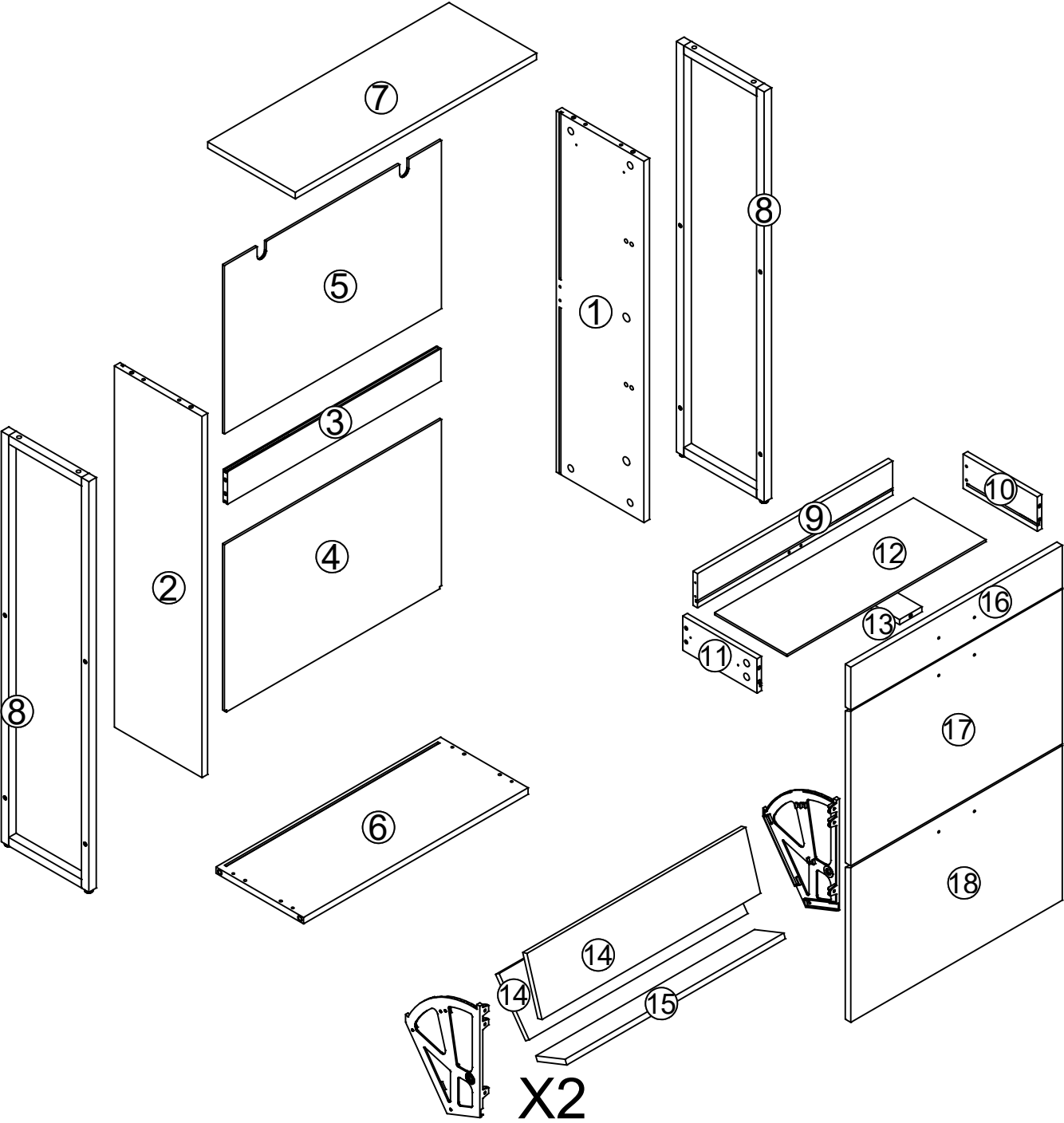


(Tools not provided)  
 Flat Blade Screwdriver  
 Phillips Head Screwdriver  
 Wooden Hammer


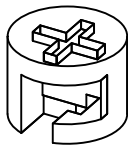




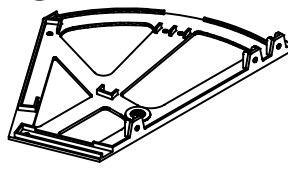
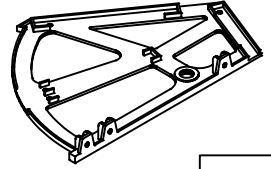







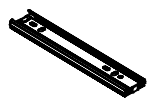








To Assemble the Unit  
 Wooden Hammer

PAGE1  
Exploded View



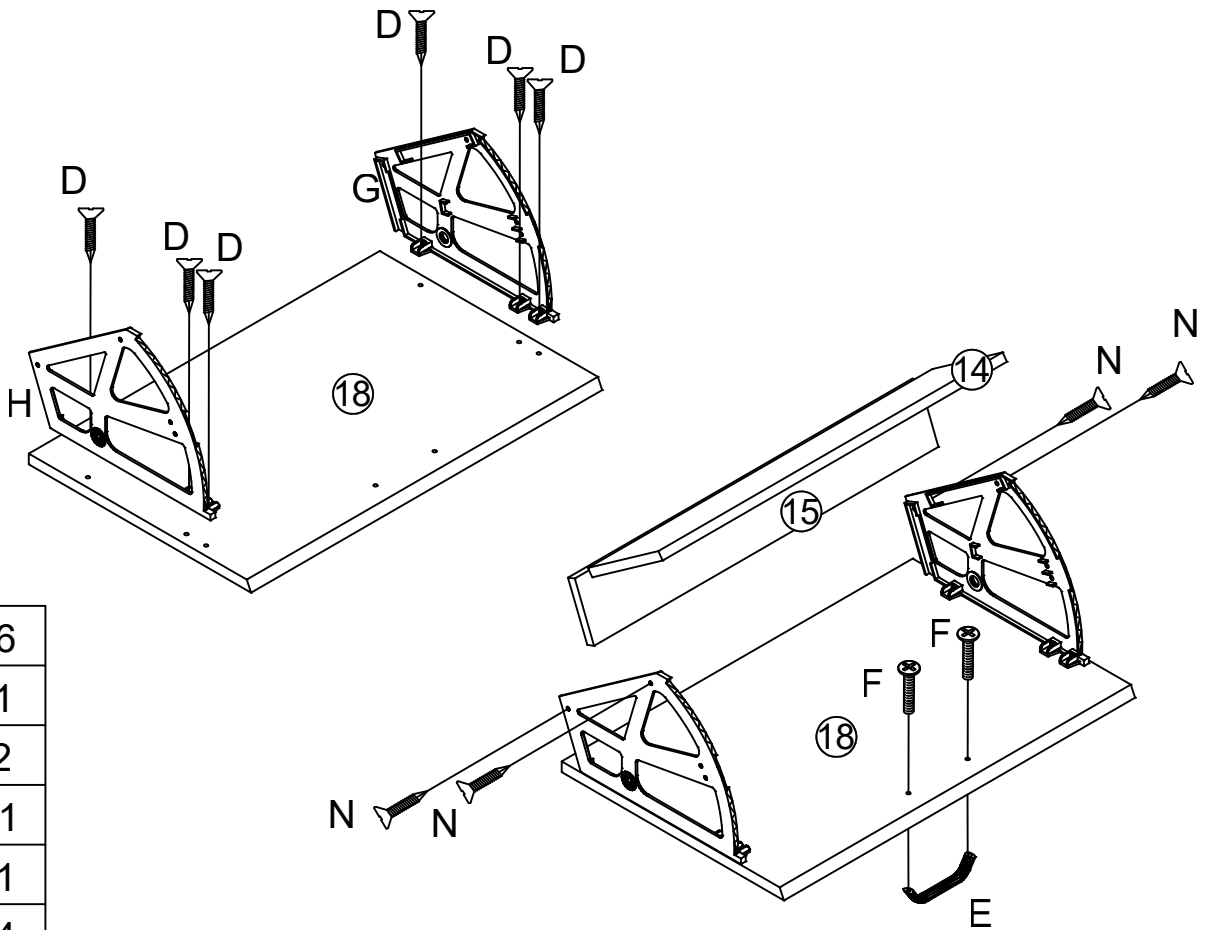
PAGE2  
will require these parts

<p>A</p>  <p>17+1PCS</p>	<p>B</p>  <p>17+1PCS</p>	<p>C</p>  <p>M6X30MM</p> <p>8+2PCS</p>	<p>D</p>  <p>M3.5X16M</p> <p>12+2PCS</p>
<p>E</p>  <p>3PCS</p>	<p>F</p>  <p>6+1PCS</p>	<p>G</p>  <p>2PCS</p>	<p>H</p>  <p>2PCS</p>
<p>I</p>  <p>M6X30M</p> <p>12+1PCS</p>	<p>J</p>  <p>M4X16M</p> <p>4+1PCS</p>	<p>K</p>  <p>4PCS</p>	<p>L</p>  <p>4PCS</p>
<p>M</p>  <p>4PCS</p>	<p>N</p>  <p>M3X10M</p> <p>12+2PCS</p>	<p>O</p>  <p>M3.5X30M</p> <p>6+1PCS</p>	<p>P</p>  <p>2PCS</p>
<p>Q</p>  <p>M3.5X12M</p> <p>8+2PCS</p>	<p>R</p>  <p>4PCS</p>	<p>S</p>  <p>2PCS</p>	<p>T</p>  <p>M3.5X14M</p> <p>2PCS</p>
<p>U</p>  <p>2PCS</p>	<p>V</p>  <p>M3.5X25M</p> <p>2PCS</p>		

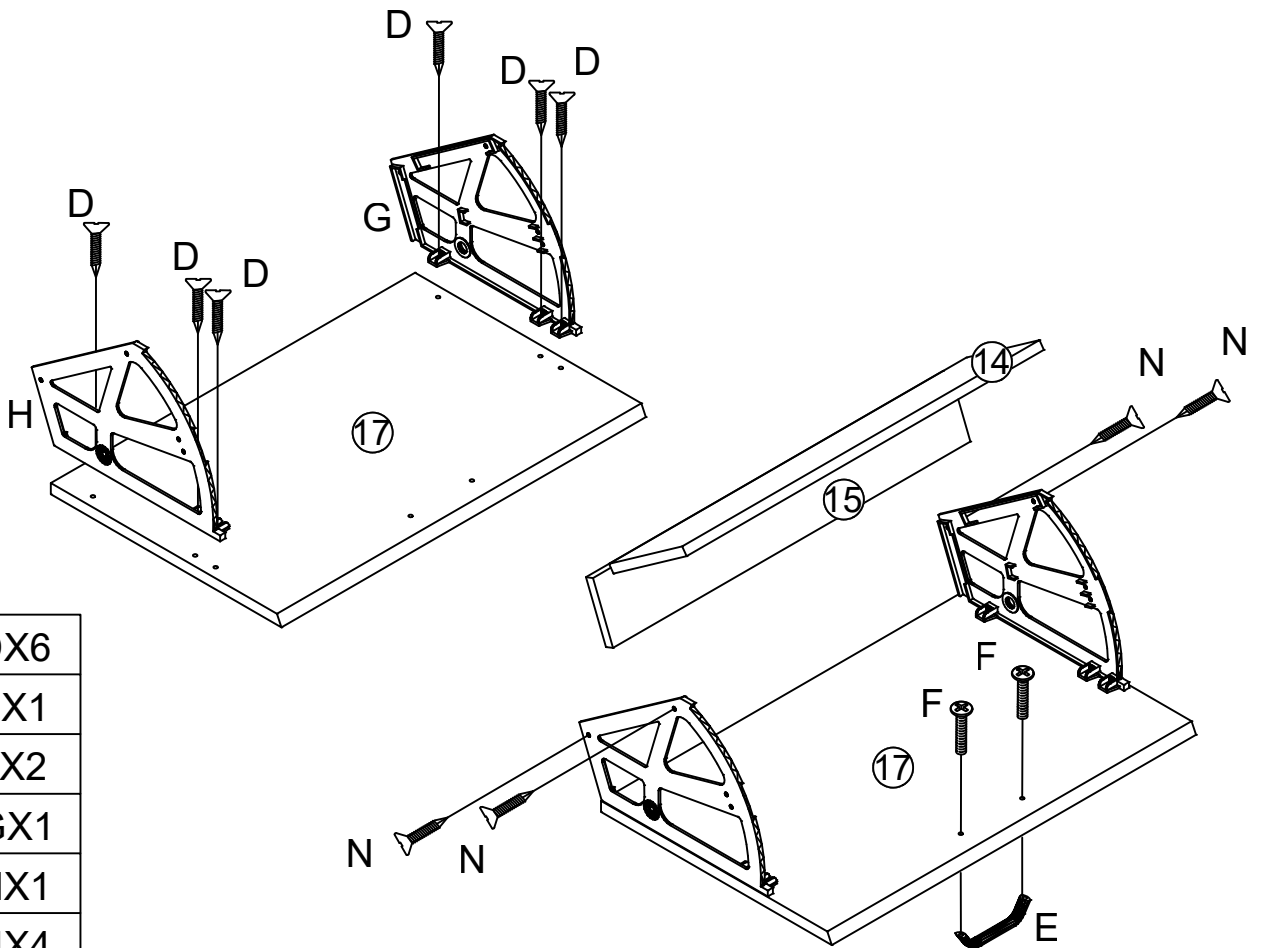
# PAEG3

will require these parts

## STEP1



	DX6
	EX1
	FX2
	GX1
	HX1
	NX4

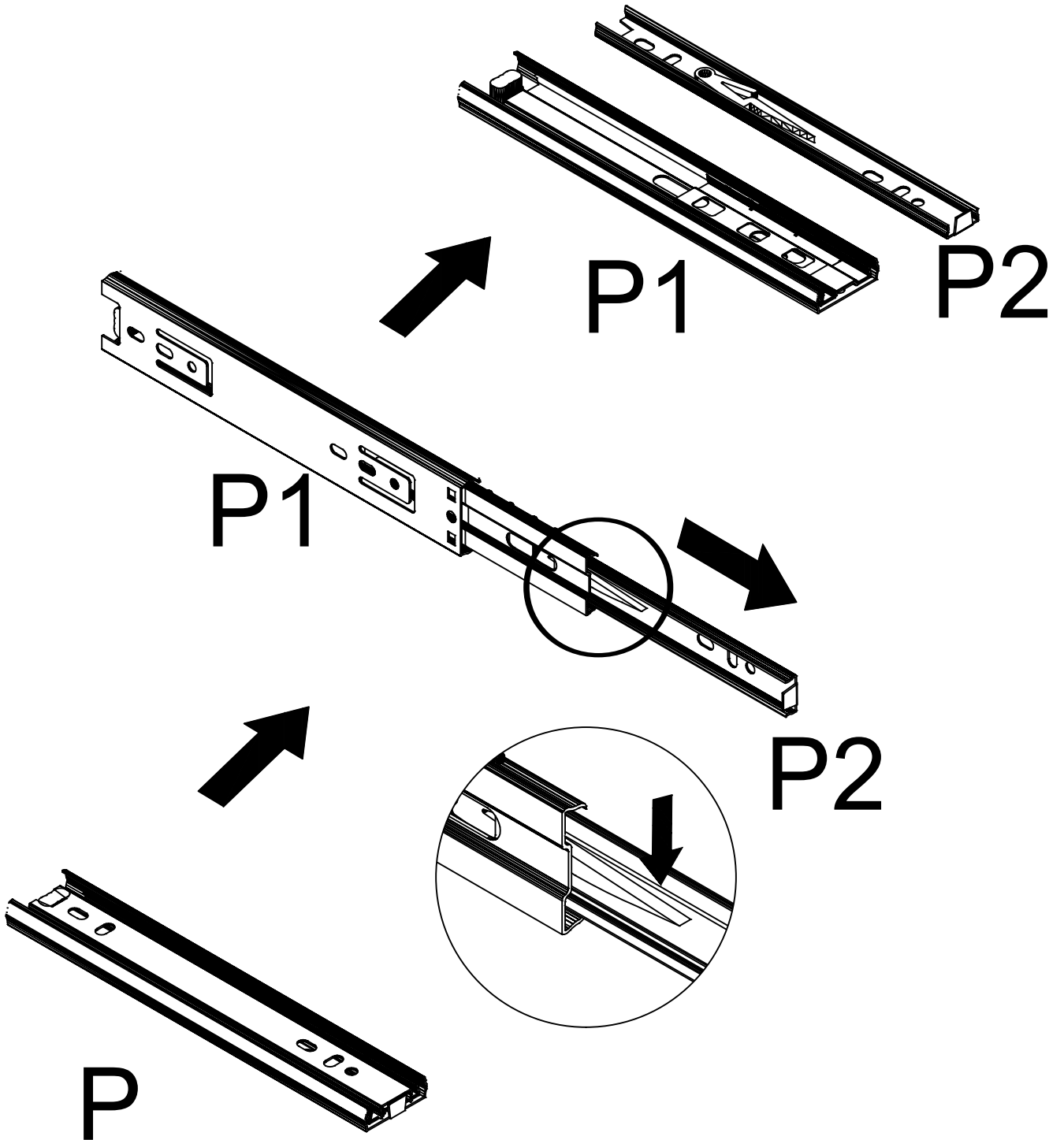


	DX6
	EX1
	FX2
	GX1
	HX1
	NX4

PAEG4

will require these parts

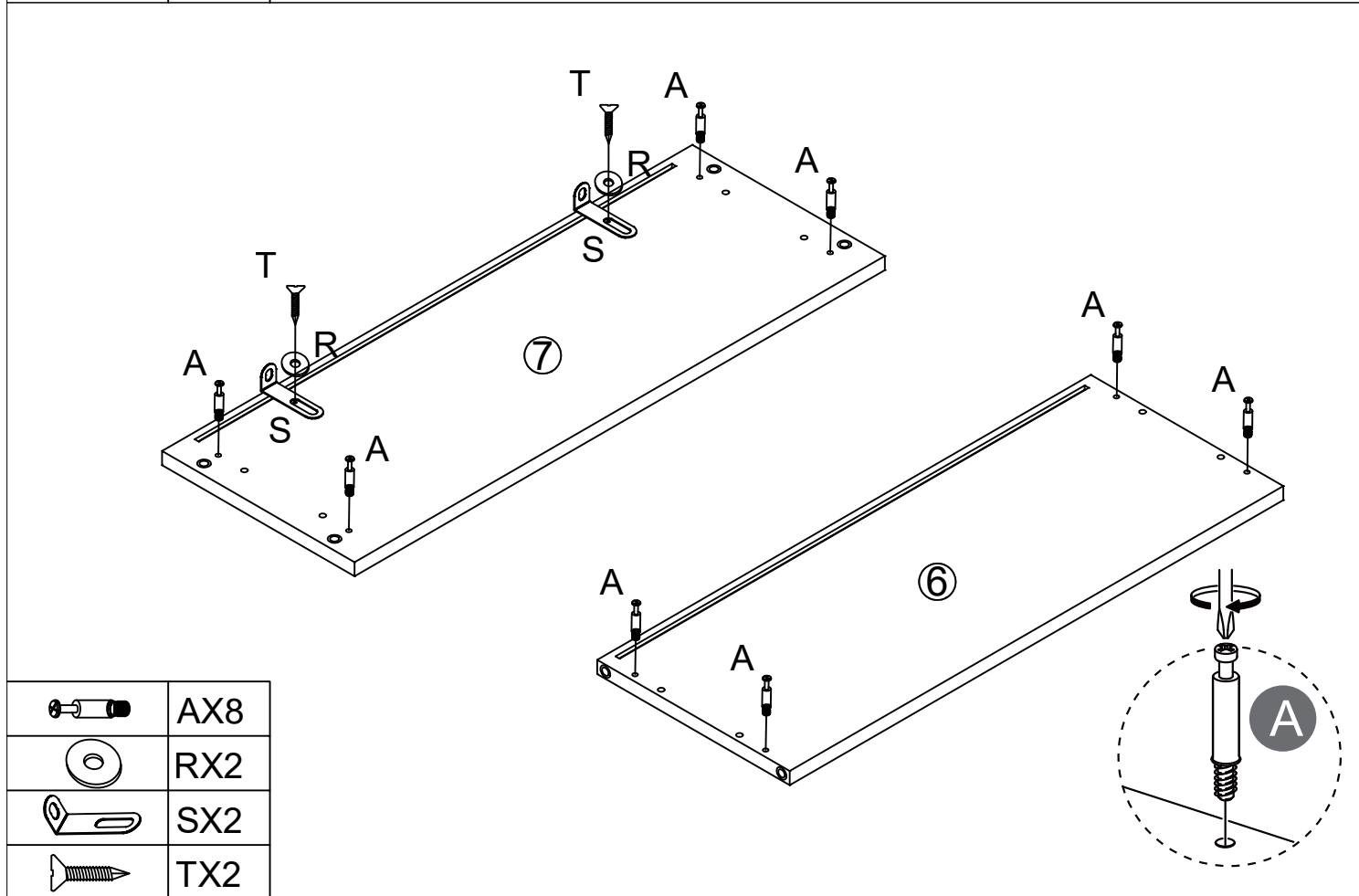
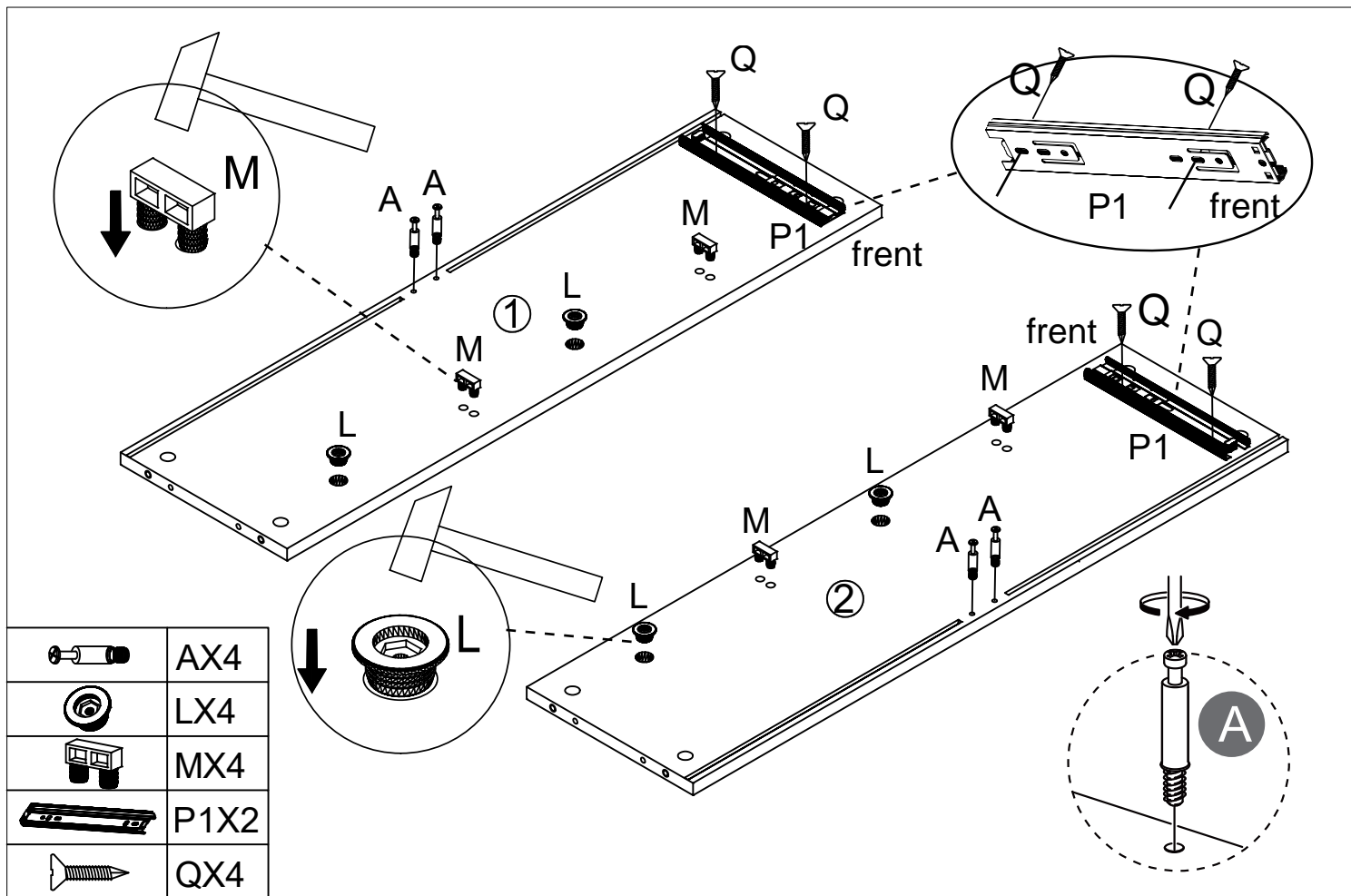
STEP2



# PAEG5

will require these parts

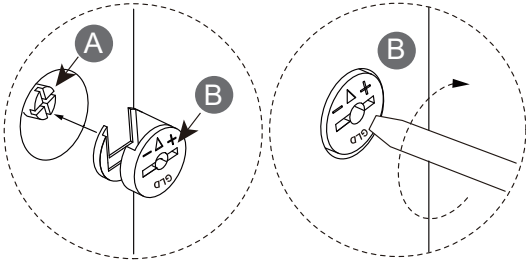
## STEP3



# PAEG6

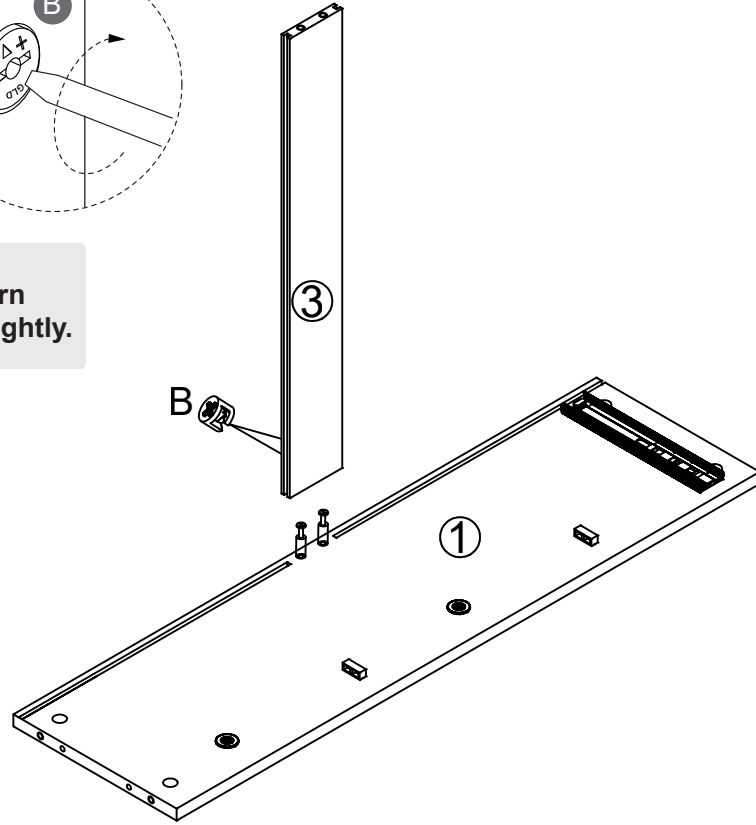
## STEP4

will require these parts

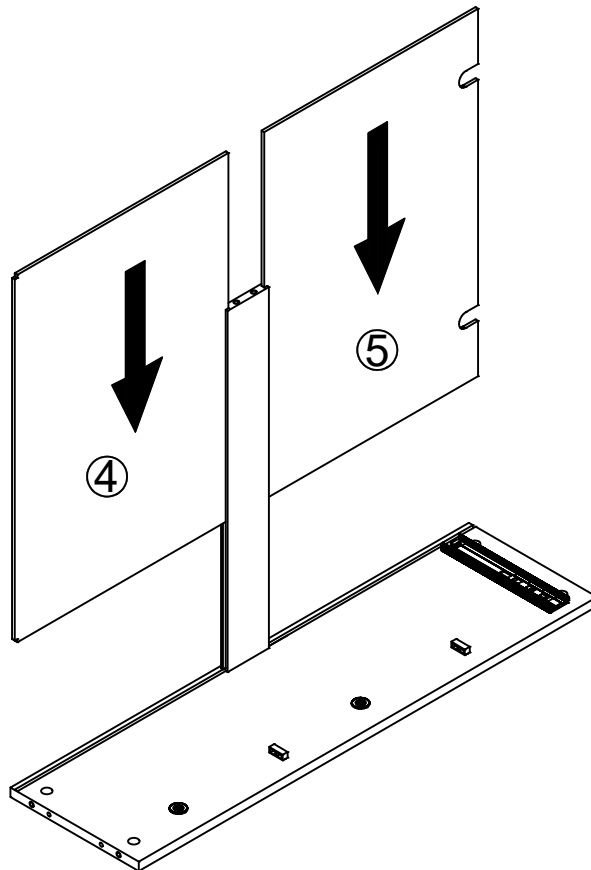


**Attention:**

Put **B** into the hole and turn **B** clockwise to lock **A** tightly.



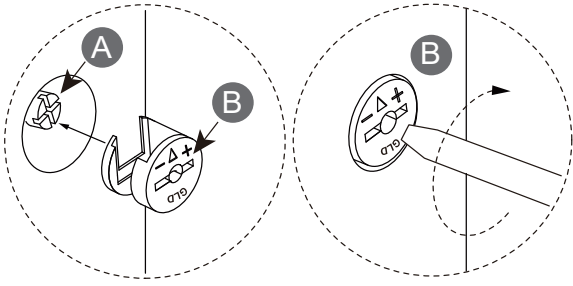
BX2



# PAEG7

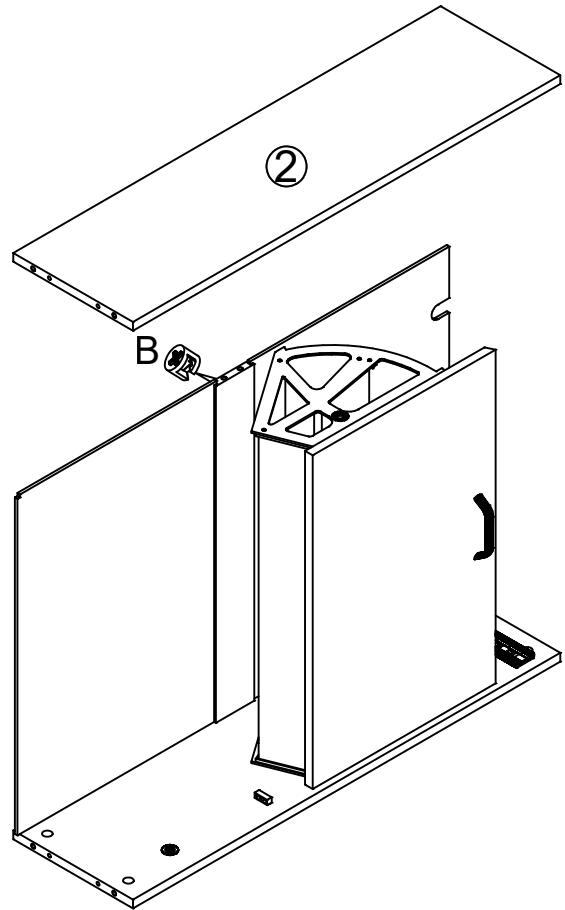
will require these parts

## STEP5

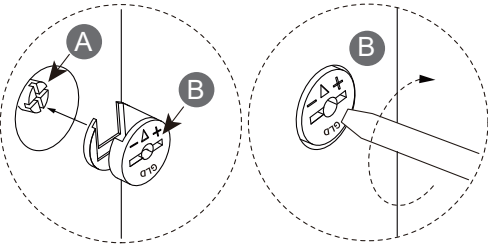


**Attention:**

Put **(B)** into the hole and turn **(B)** clockwise to lock **(A)** tightly.

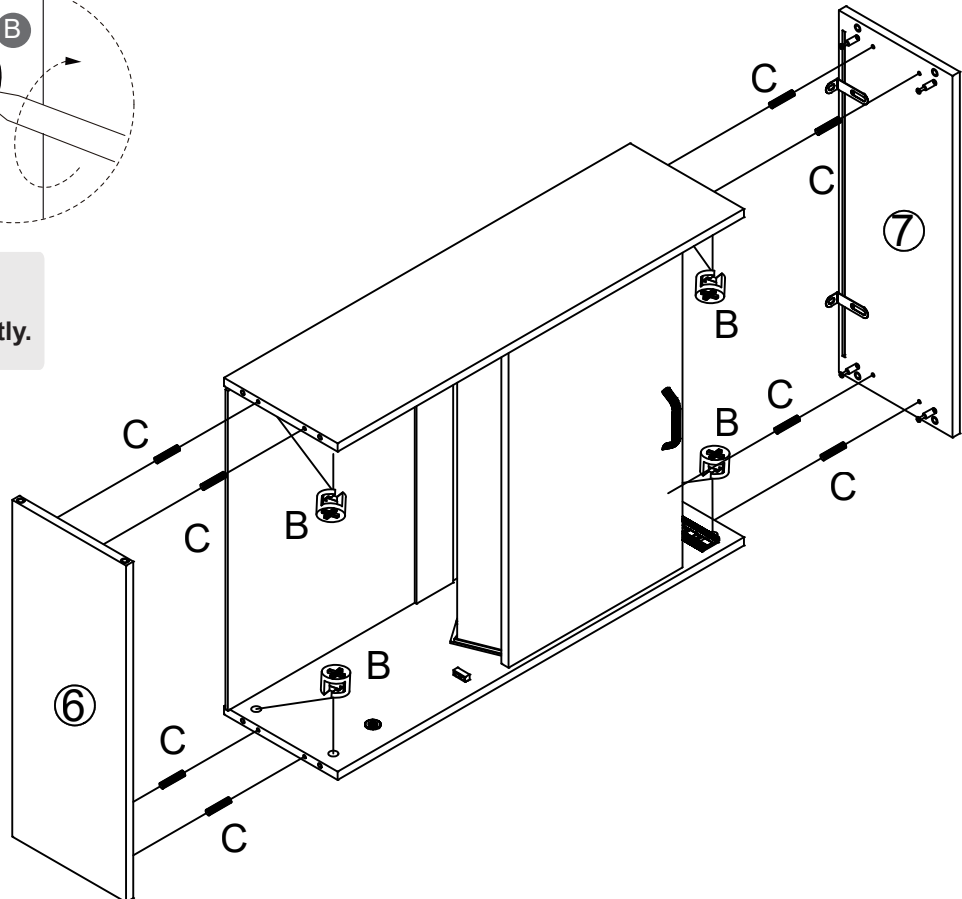


BX2



**Attention:**

Put **(B)** into the hole and turn **(B)** clockwise to lock **(A)** tightly.



BX8

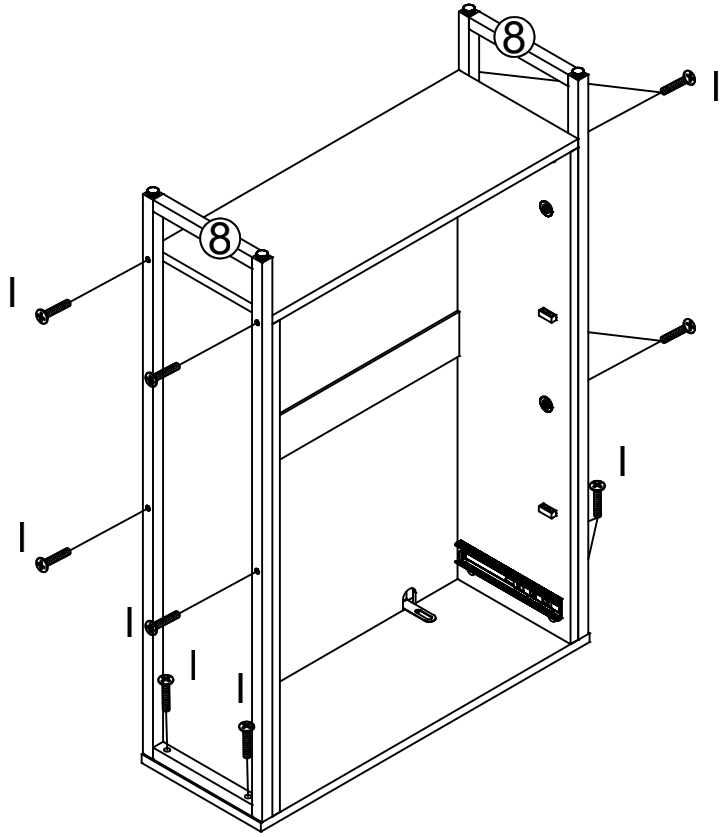


CX8

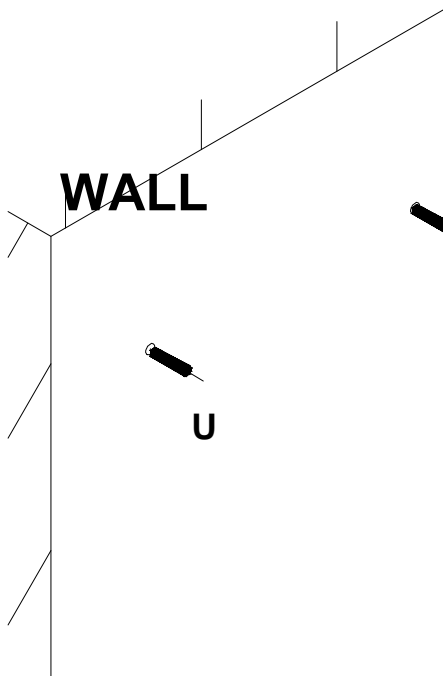
# PAEG8

## STEP6

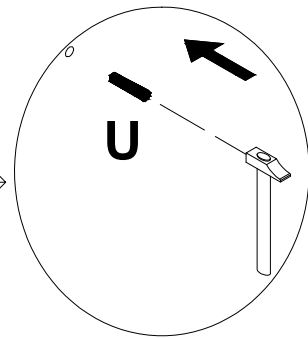
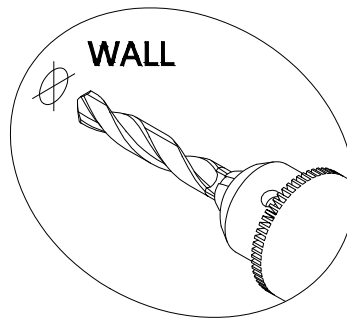
will require these parts



IX12



Drill 2 holes on the wall at the required position for anti-falling device installation.



Ux 2

# PAEG9

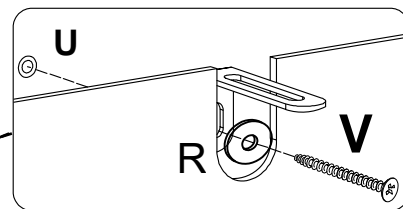
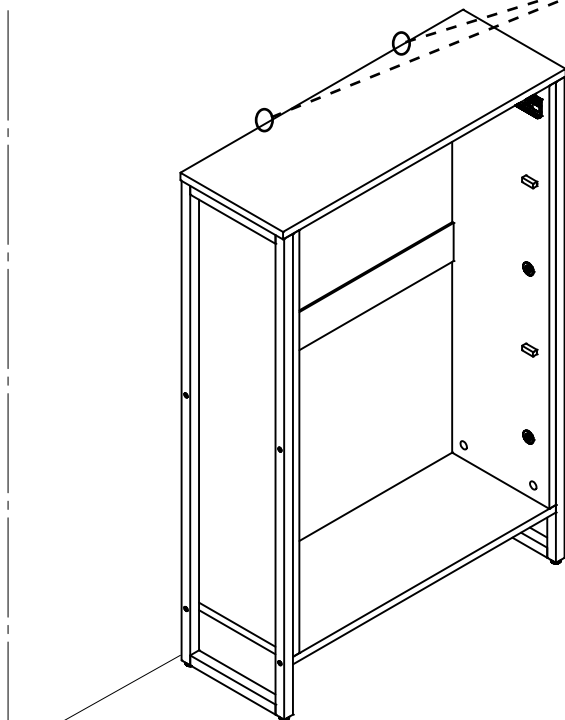
will require these parts


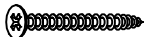
## STEP7

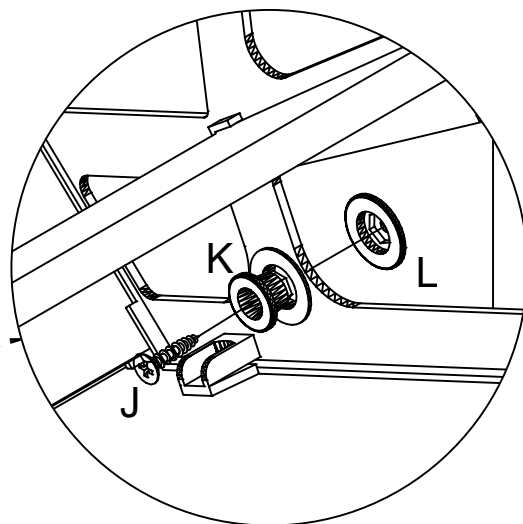
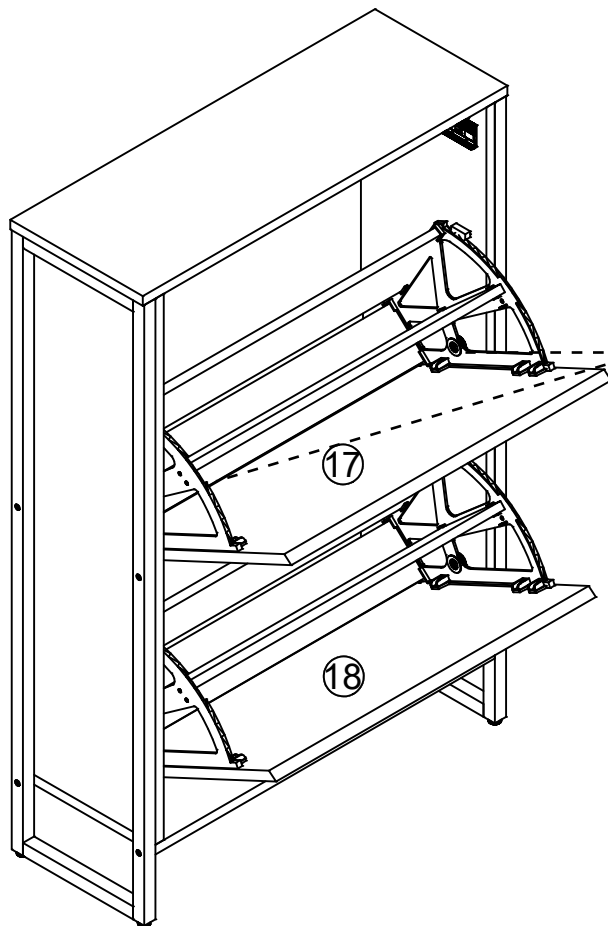
Move the cabinet to the required position, use the "V" long screw to fix the cabinet to the wall.



### WALL

⑤



	RX2
	VX2

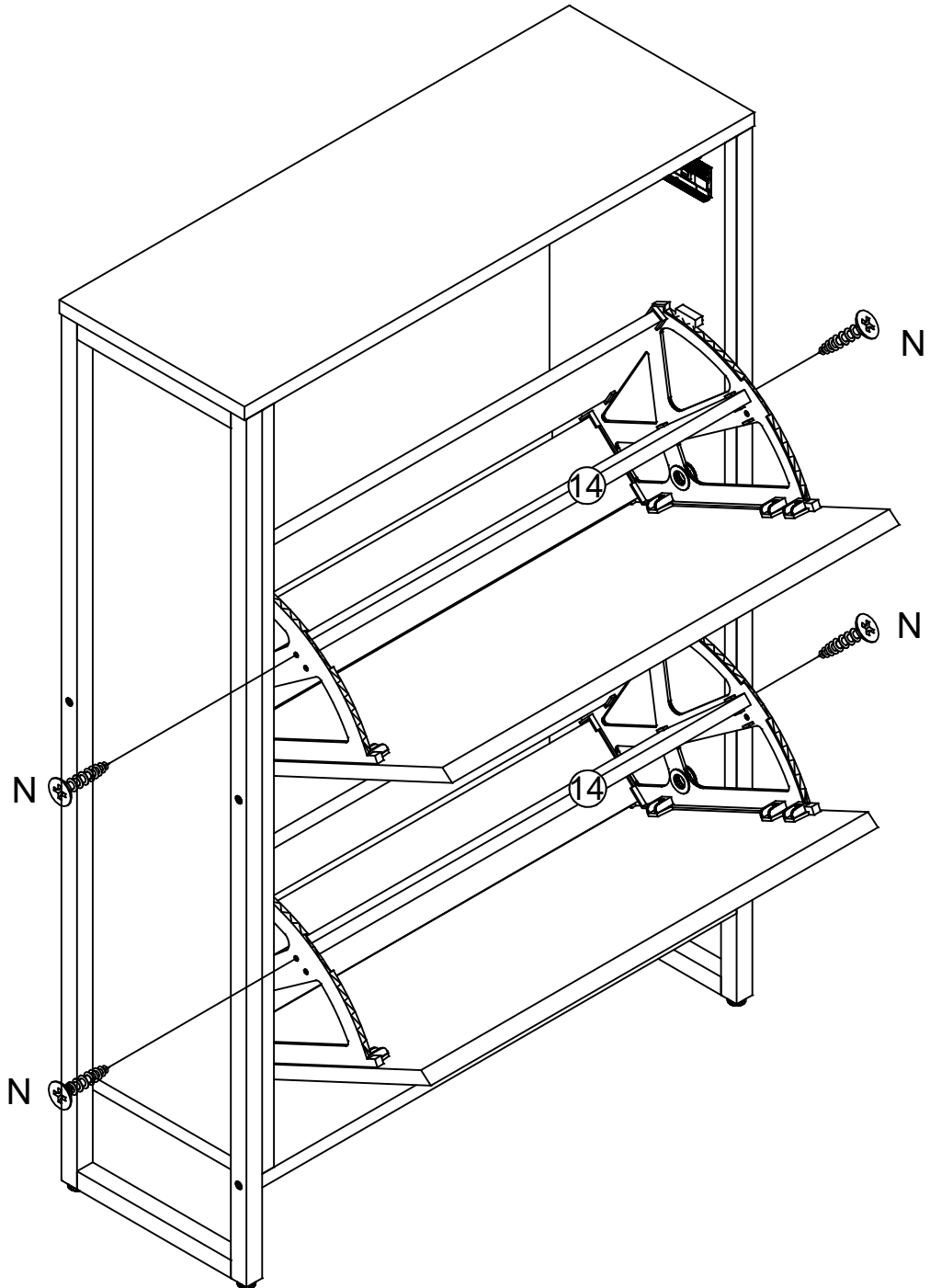


	JX4
	KX4

# PAEG10

## STEP8

will require these parts

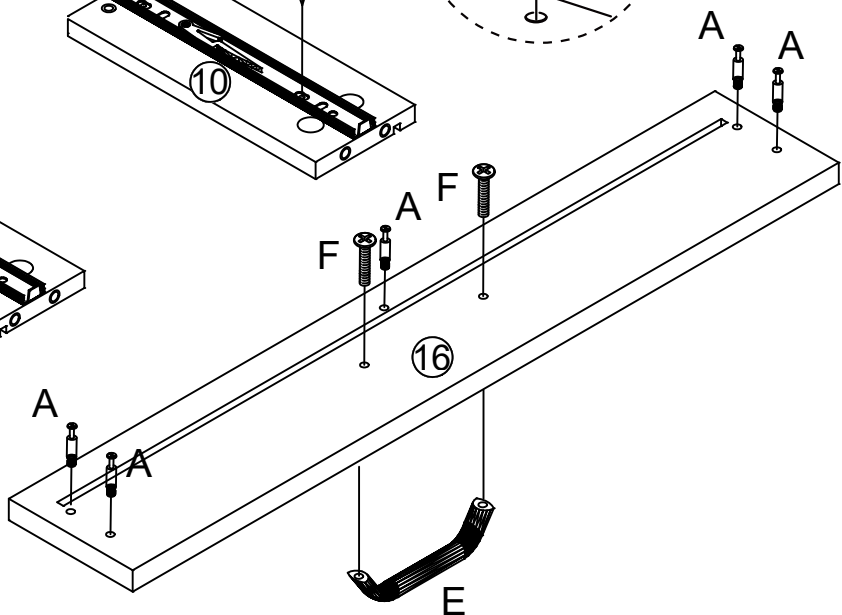
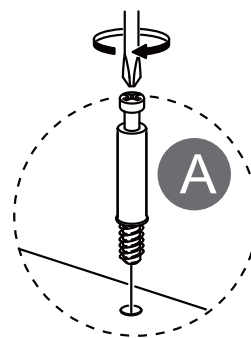
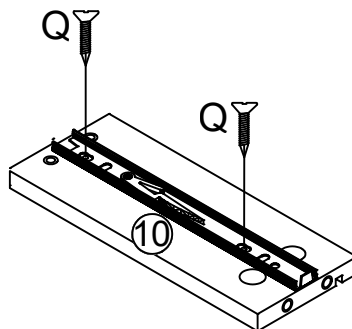
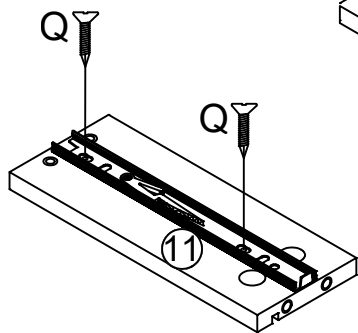
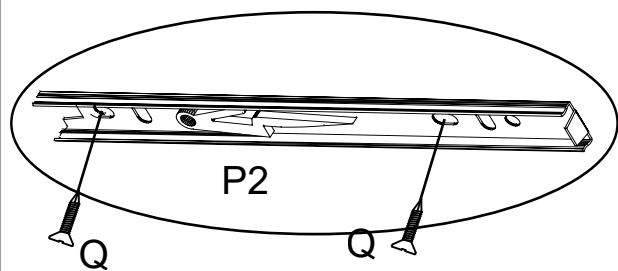


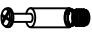




NX4

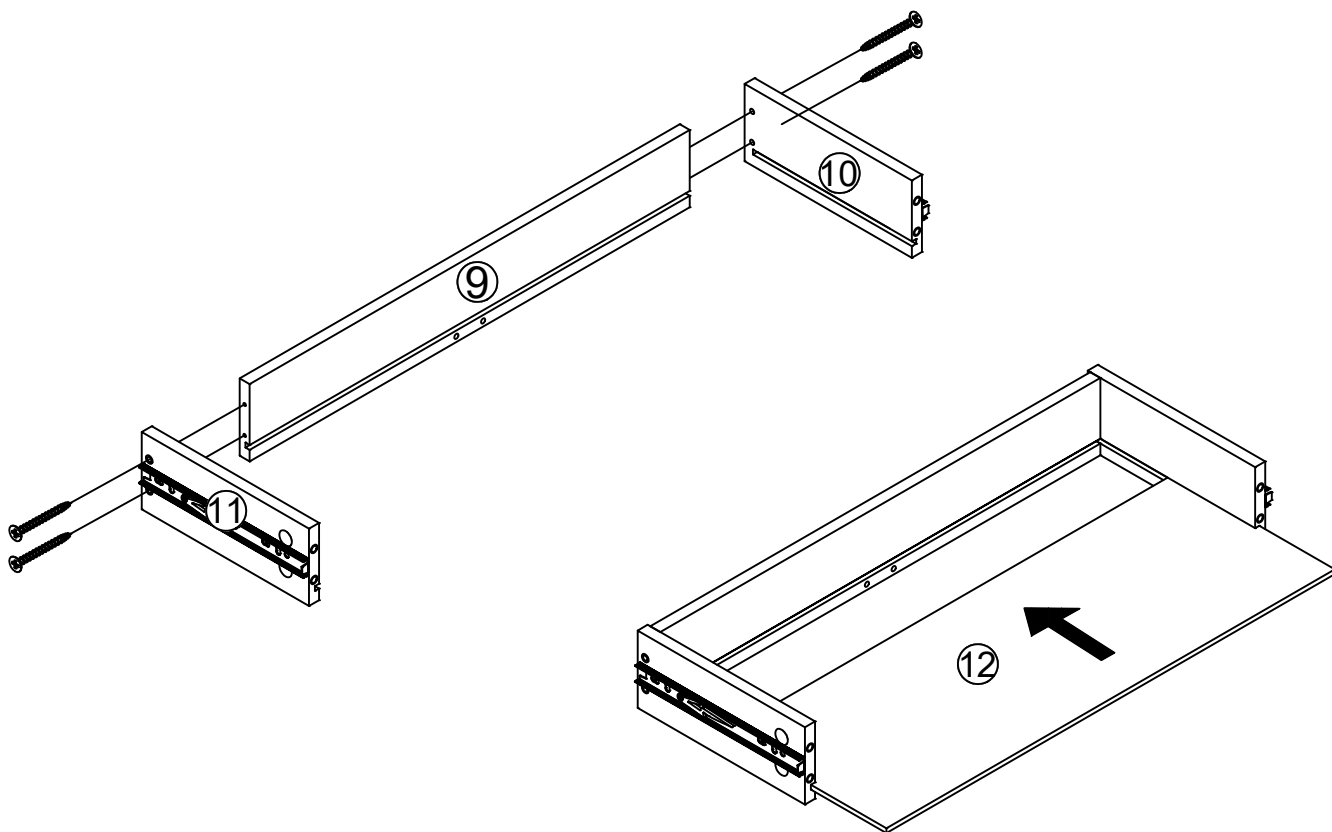
# PAEG11

will require these parts

## STEP 9



	AX5
	EX1
	FX2
	P2X2
	QX4

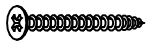
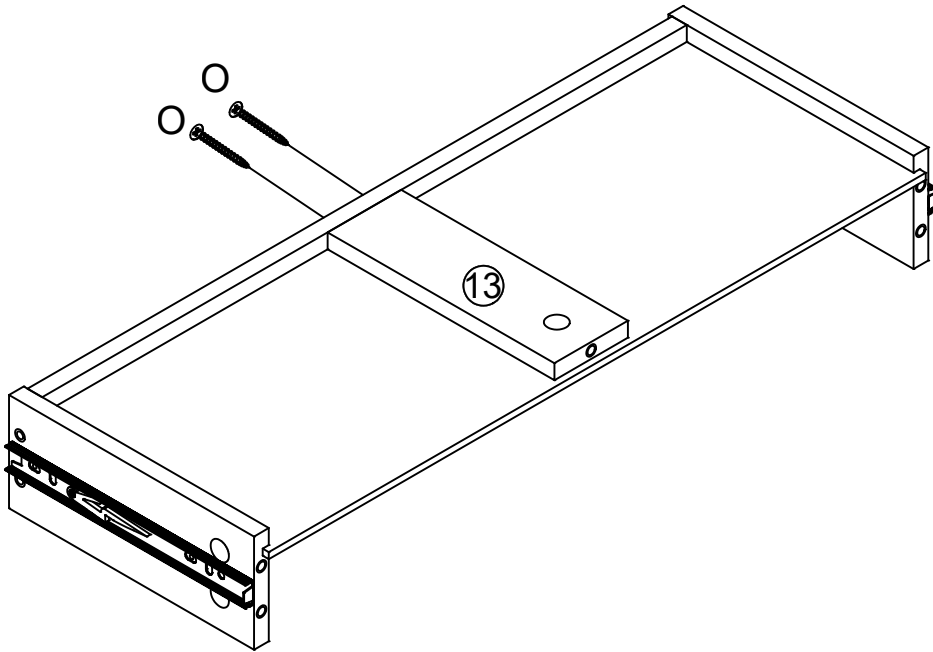


	OX4
--	-----

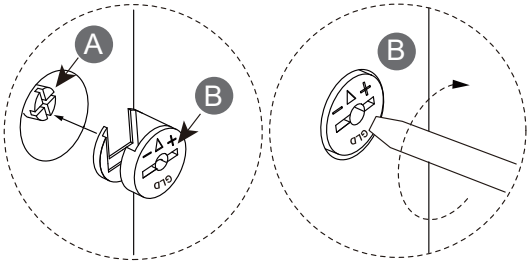
# PAEG12

## STEP10

will require these parts

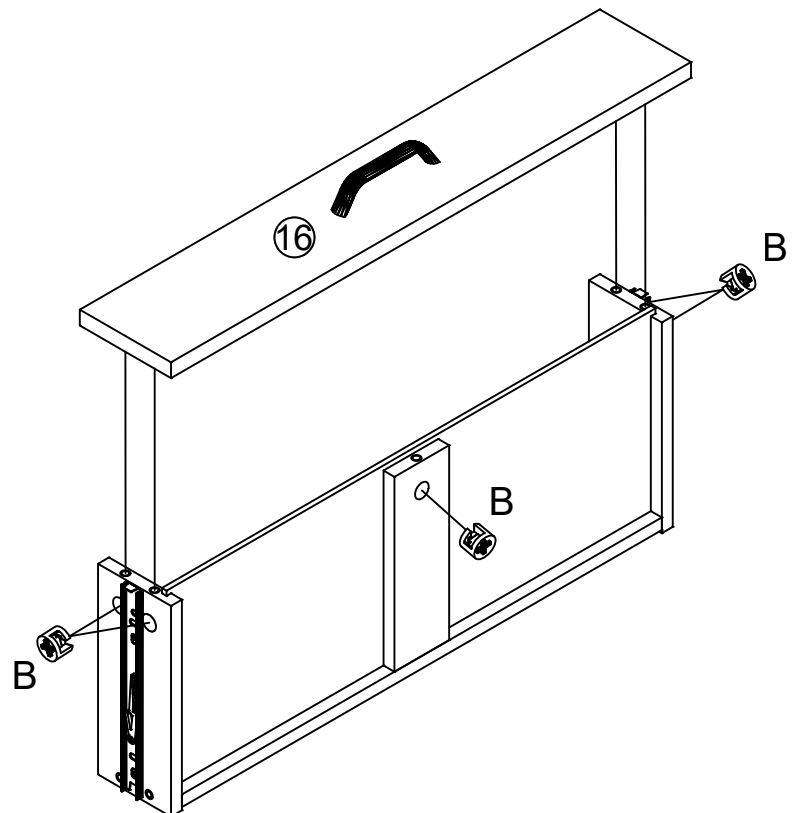


OX2



**Attention:**

Put **B** into the hole and turn **B** clockwise to lock **A** tightly.

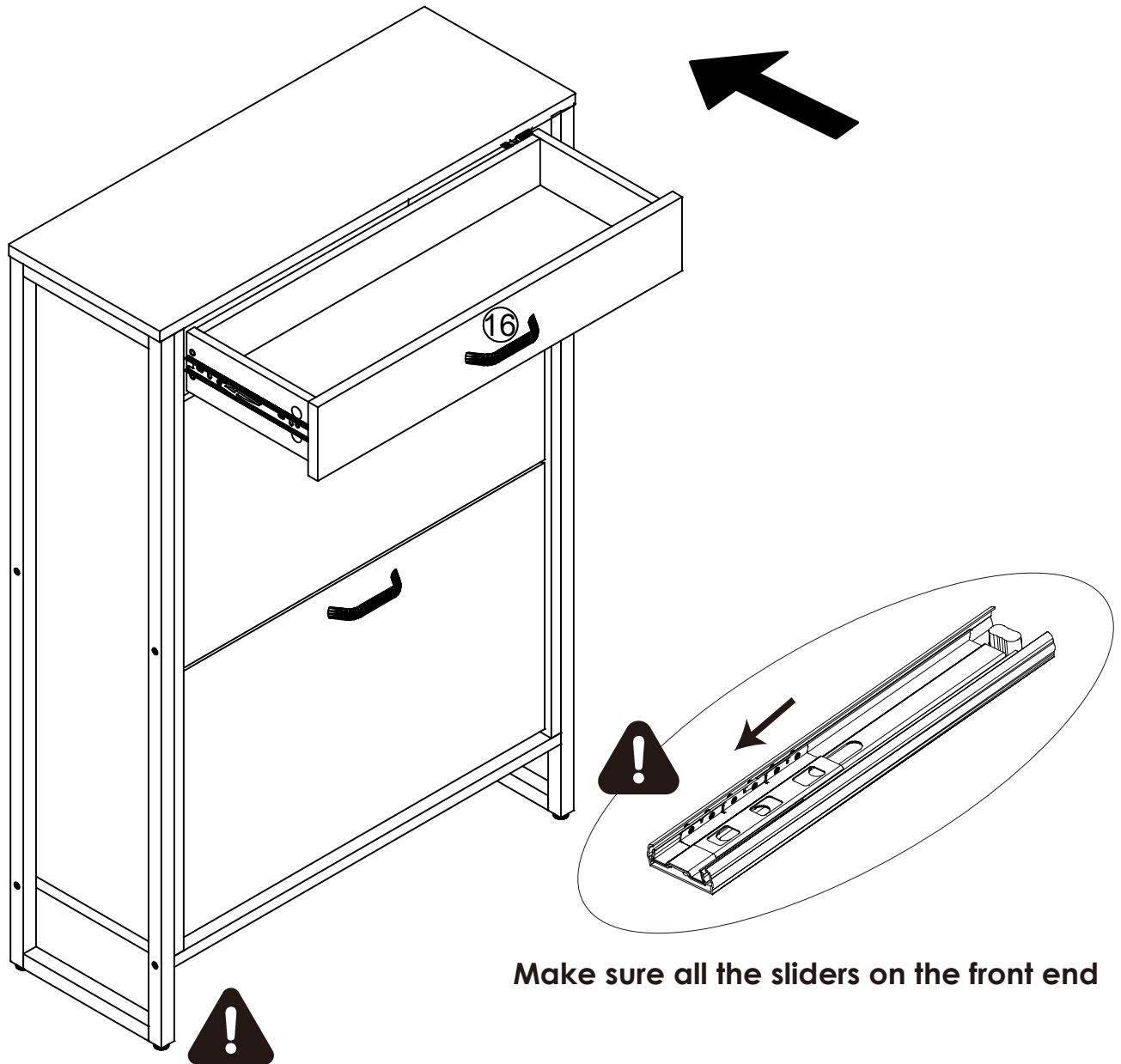


BX5

# PAEG13

## STEP11

will require these parts



**Make sure all the sliders on the front end**

- EN:** 1, Drawers must be **horizontally put into** the cabinet  
2, Make sure both side sliders **match well** to avoid damage

**Wrong:** P2 and P1 are not be horizontally placed and pushed

**Right:** Push P2 and P1 horizontally until you hear a "click"

