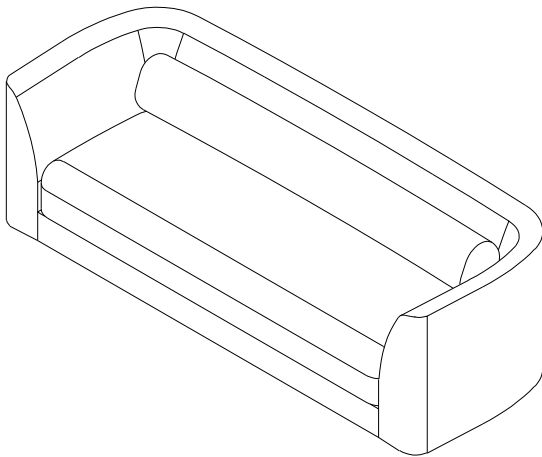


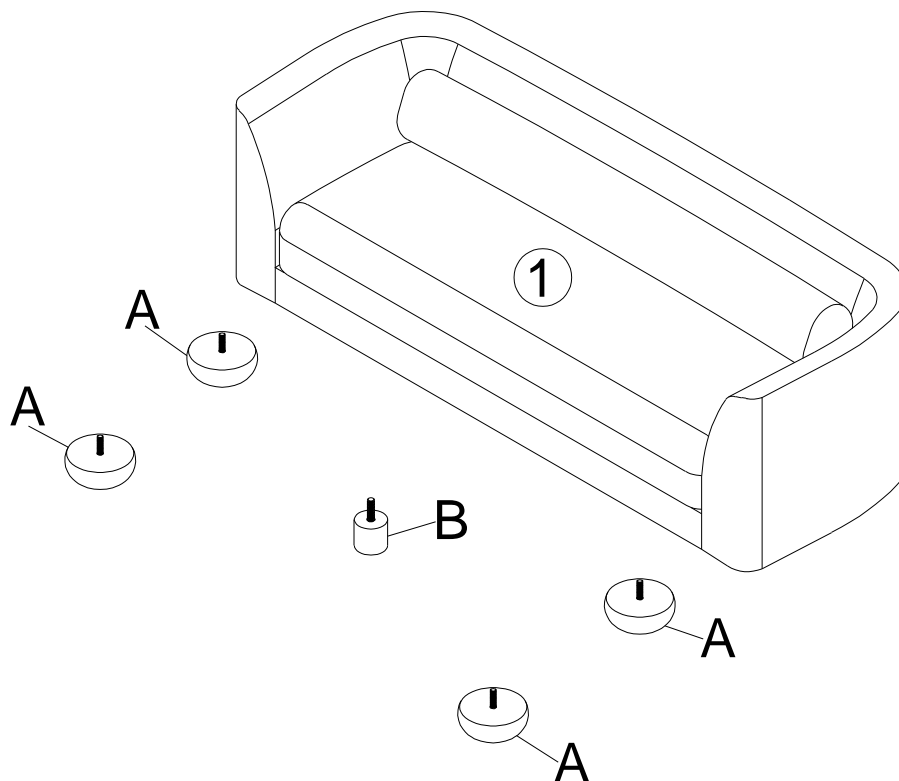


ASSEMBLY INSTRUCTION

JULIETTE SOFA - 99"



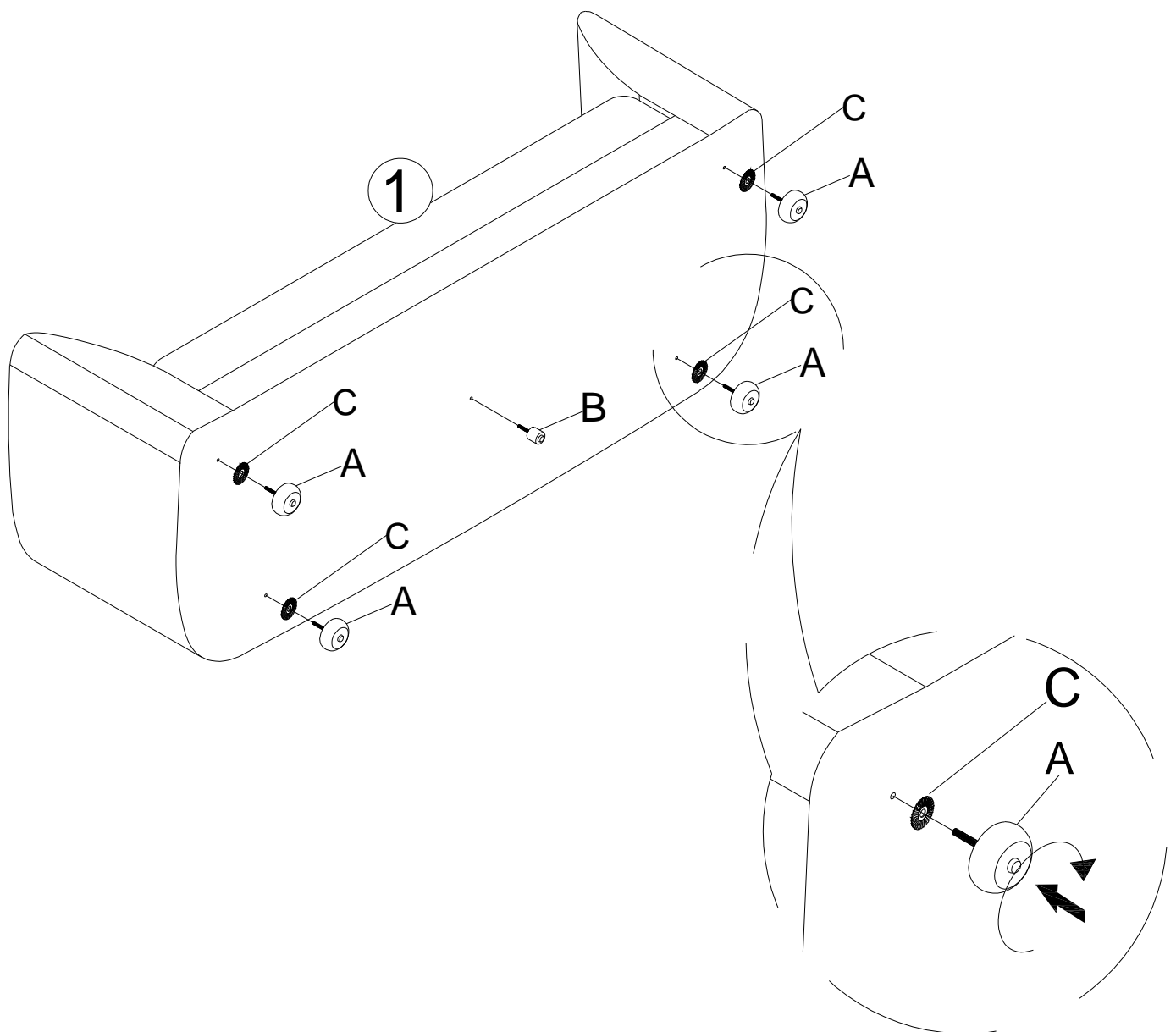
PARTS LIST			
A		Legs	4
B		Leg Support	1
C		Lock Washer	4



ASSEMBLY INSTRUCTION

JULIETTE SOFA - 99"

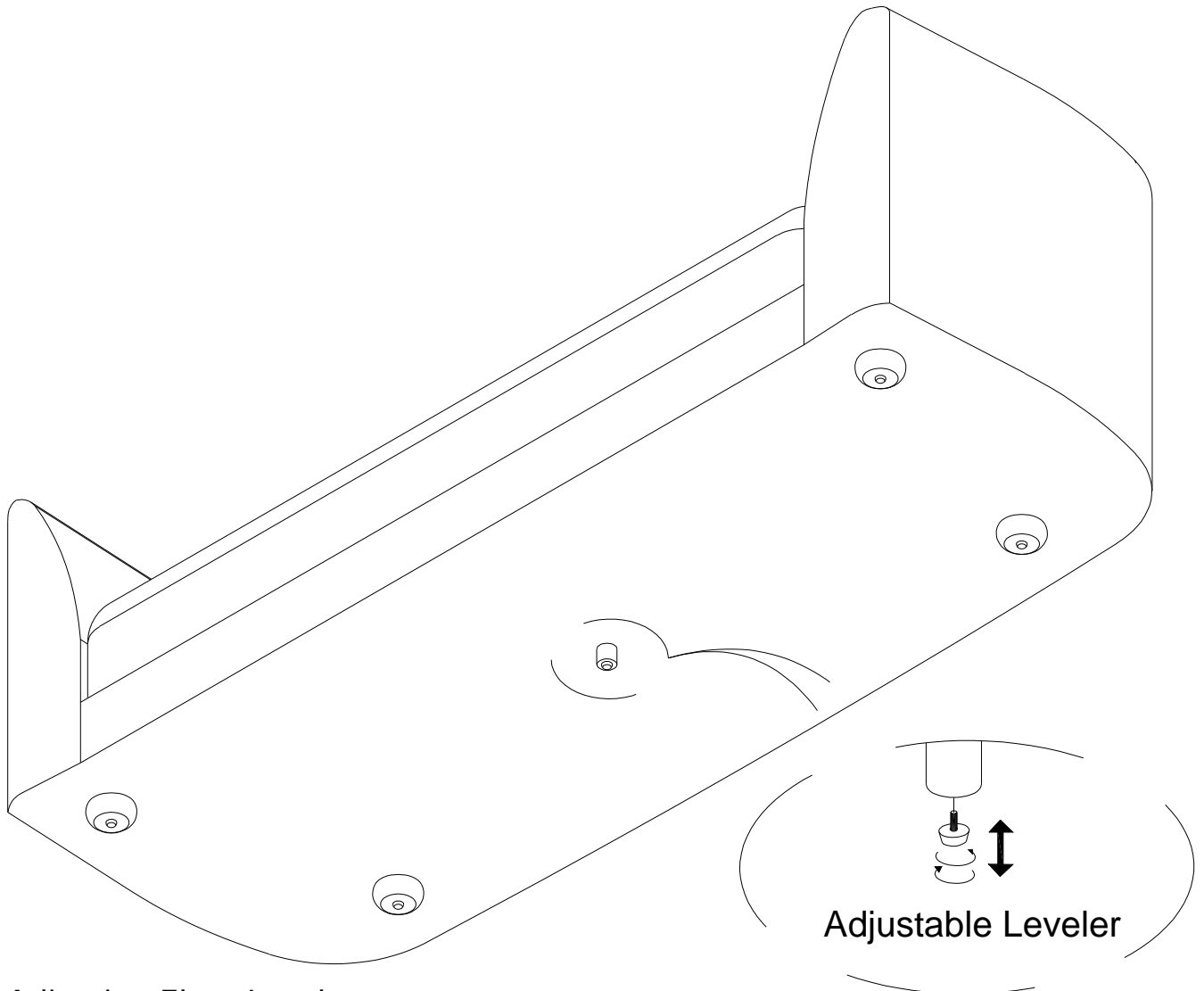
Step 1



ASSEMBLY INSTRUCTION

JULIETTE SOFA - 99"

Step 2



Adjusting Floor Levelers

Your furniture has been expertly crafted and pre-adjusted by professionals. However, slight shifts can occur during transportation. If you notice that the doors are not perfectly aligned or the furniture wobbles, a quick adjustment can help ensure stability and a seamless look.

Adjust the Floor Levelers

Check for Stability - Place the furniture in its final position on a level surface. If it wobbles or doesn't sit evenly, the floor levelers need adjusting.

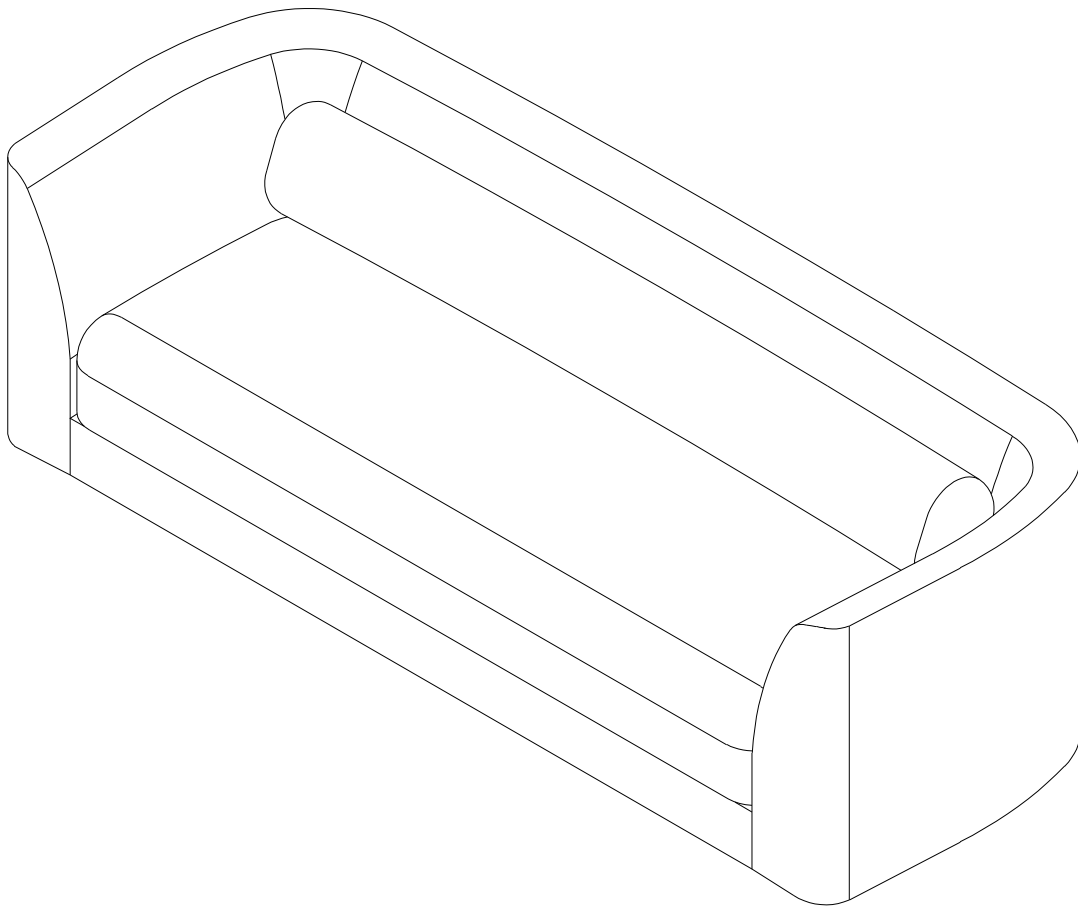
Locate the Levelers - These are small adjustable feet found at the bottom corners of your furniture.

Adjust as Needed - Using your hand or a wrench, turn the levelers clockwise to raise or counterclockwise to lower the furniture. Make small adjustments and check stability after each turn.

ASSEMBLY INSTRUCTION

JULIETTE SOFA - 99"

Step 3



FINISHED

PAGE 4/4