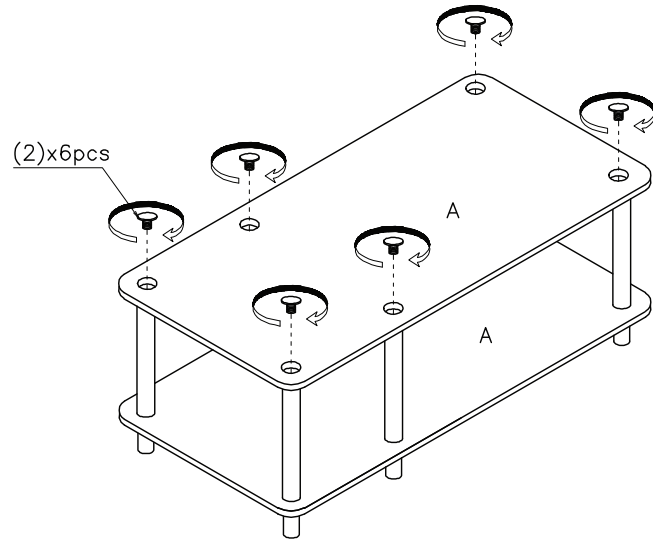
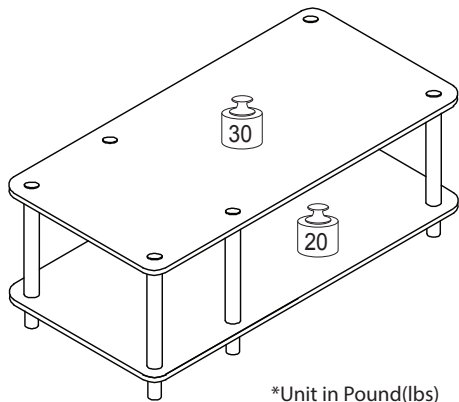


STEP 3

Attach another piece of Shelf Panel (A) to the assembled unit and tighten it using Top Cap (2).



Recommended Maximum Weight



WARNING:

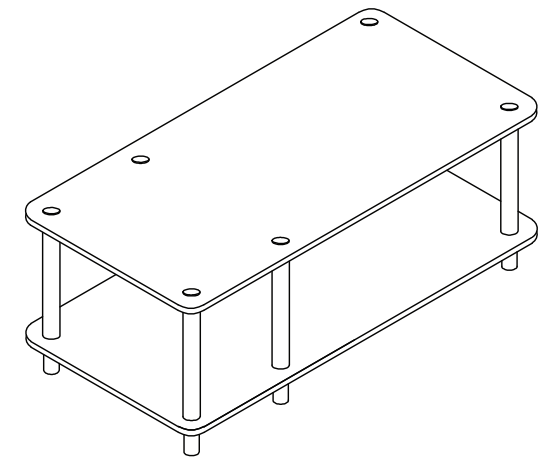
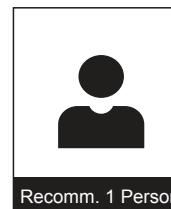
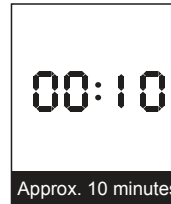
>This unit has been designed to support the maximum loads shown. Exceeding these load limits could cause sagging, instability, product collapse, and/or serious injury.

>DO NOT allow children to climb on unit.

>Put heavier items on lower shelves.

Assembly Instruction

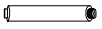


No Tools Mid TV Stand

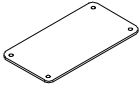


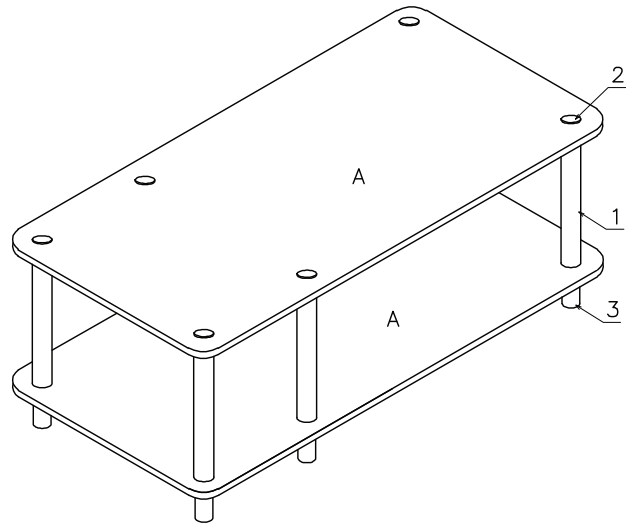
Customer Support

NEED HELP? For replacement requests or product inquiries, please contact our Customer Service Team by emailing us. Thank you for selecting our products!



No	Hardware List	Qty
1	Short Pole 	6pcs
2	Top Cap 	6pcs
3	Round Leg 	6pcs

No	Parts List	Qty
A	Shelf Panel 	2pcs

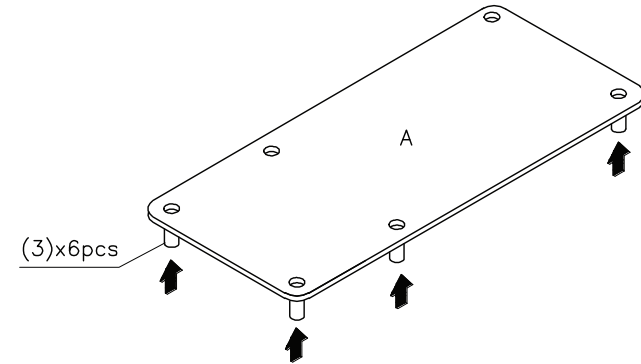


USEFUL HINTS BEFORE YOU START:

1. Read each step carefully before starting.
2. It is important that each step is performed in correct order to avoid difficulties.
3. Identify, sort and count the parts before assembly.
4. Assemble your furniture on packaging cardboard to prevent scratch or damage.
5. Clean the product with mild cleanser using soft damped cloth. Do not use harsh or abrasive cleanser.
6. Using incompatible hardware might cause damage to product.

STEP 1

Fix Round Leg(3) to the bottom of Shelf Panel (A), as shown.



STEP 2

Attach Short Pole(1) to Shelf Panel (A) and tighten it, as shown.

