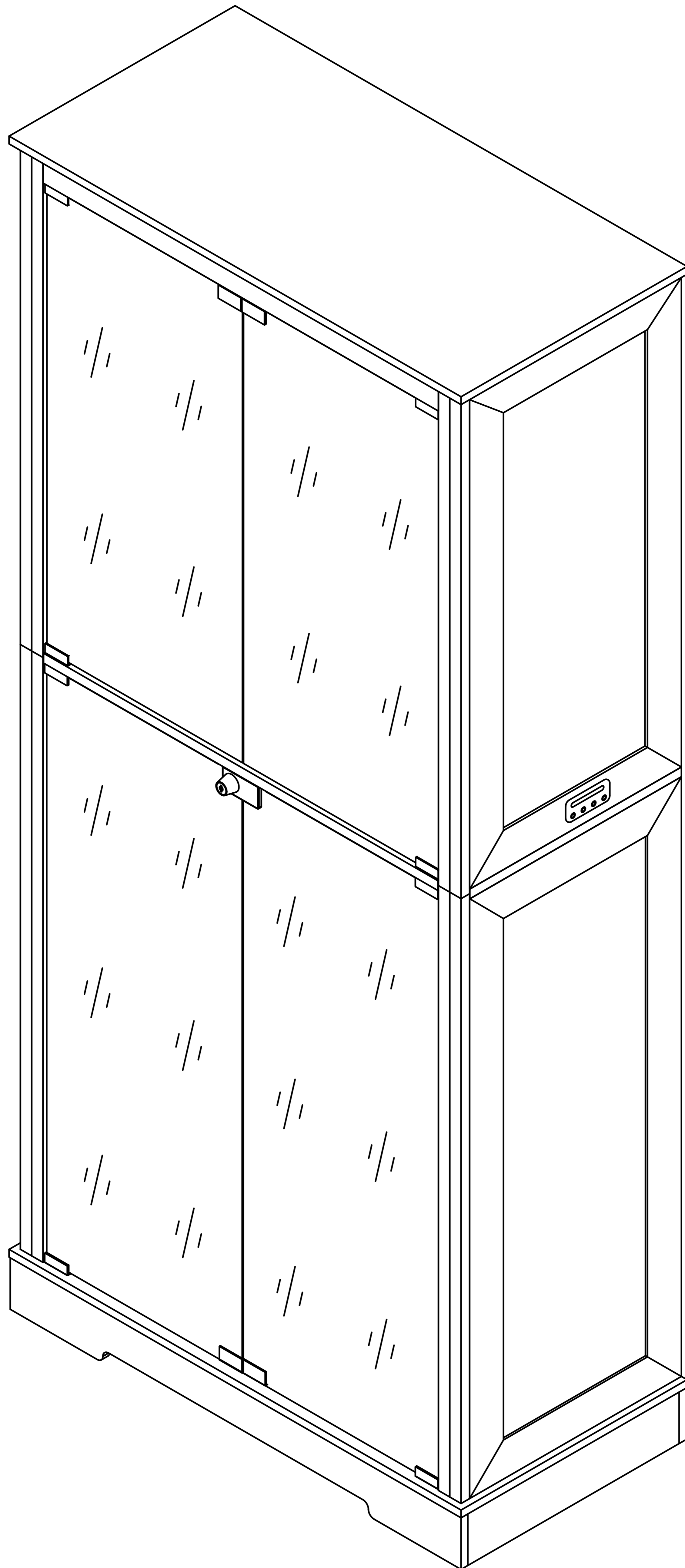
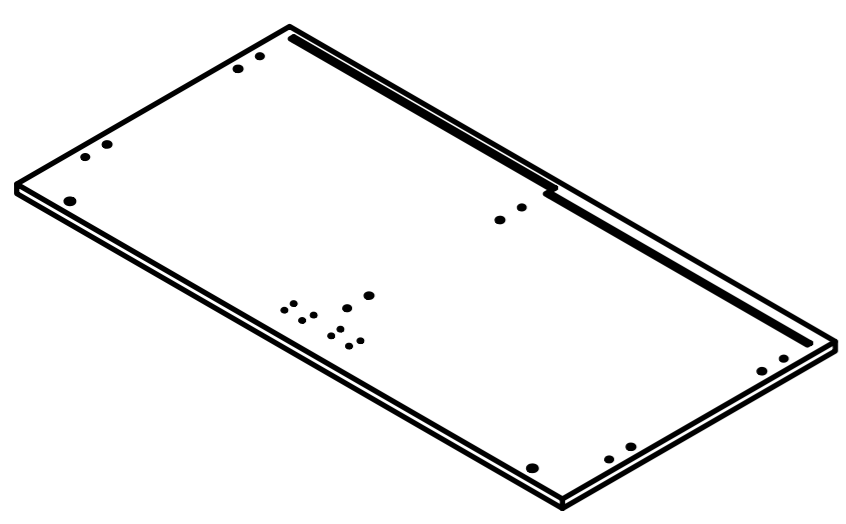
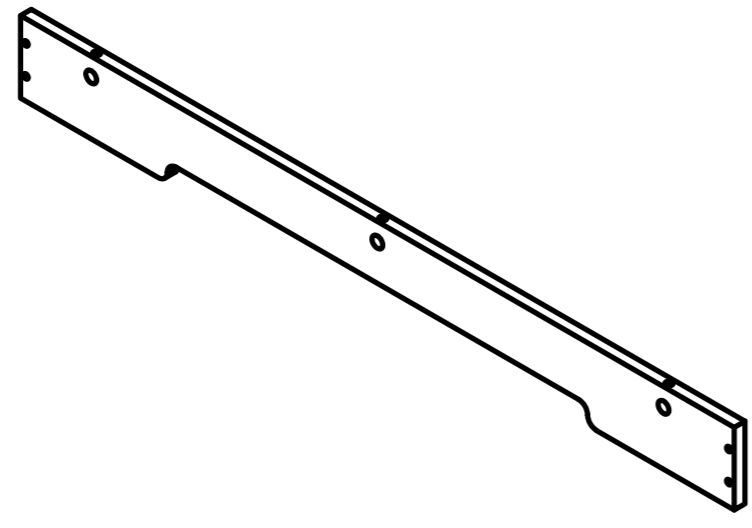


97146 Product Installation Instructions

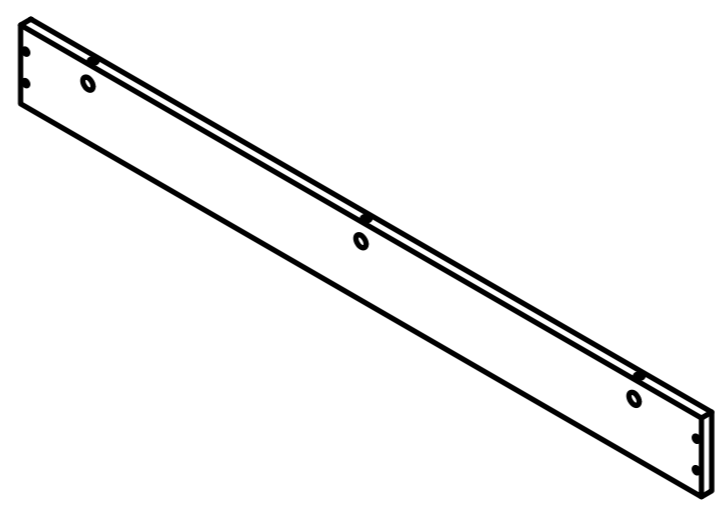




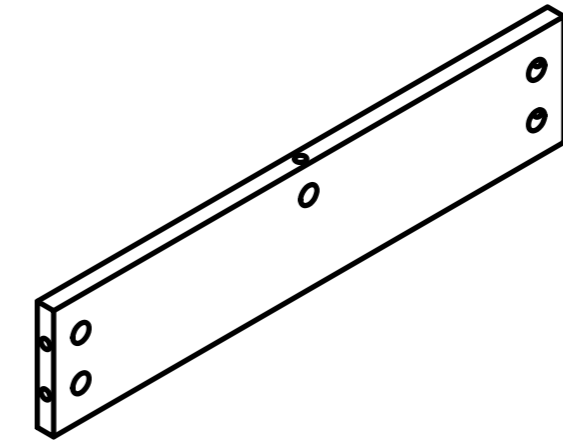
Ax1



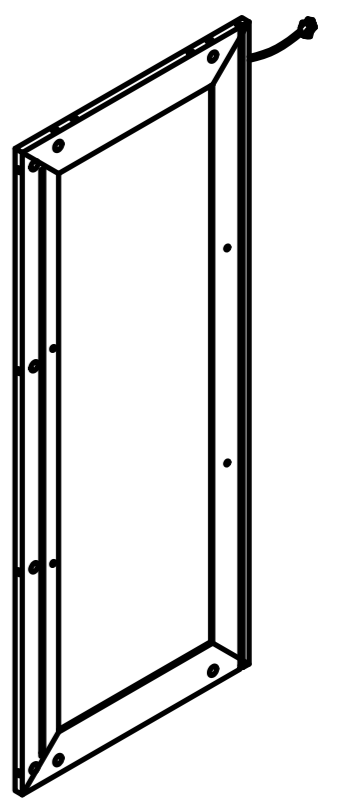
Bx1



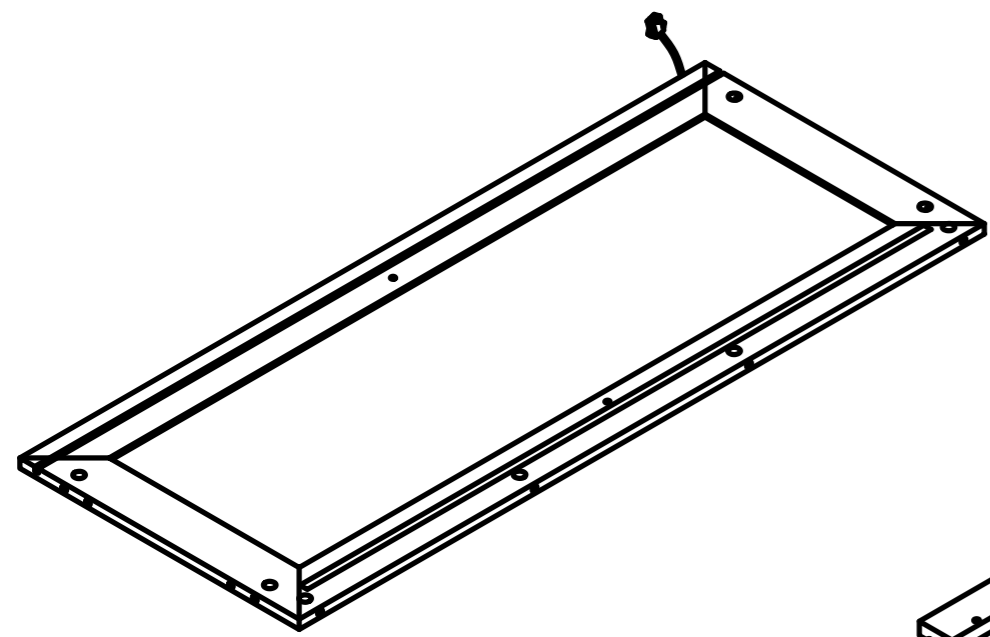
Cx1



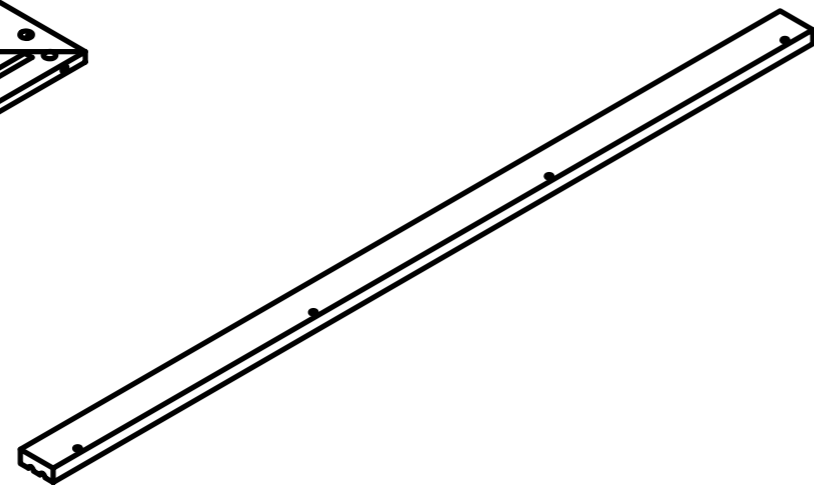
Dx2



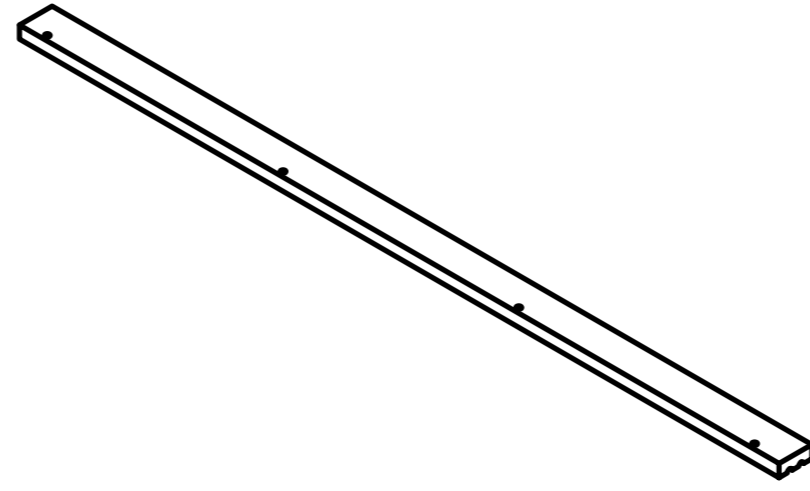
Ex1



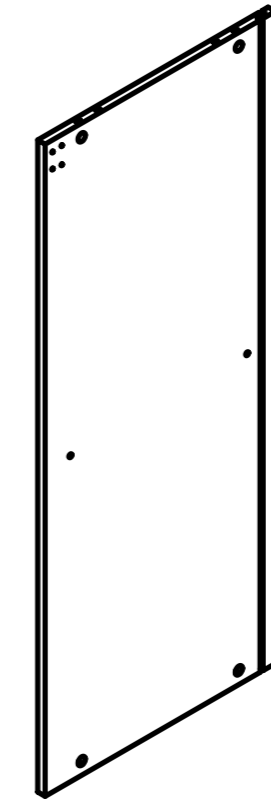
Fx1



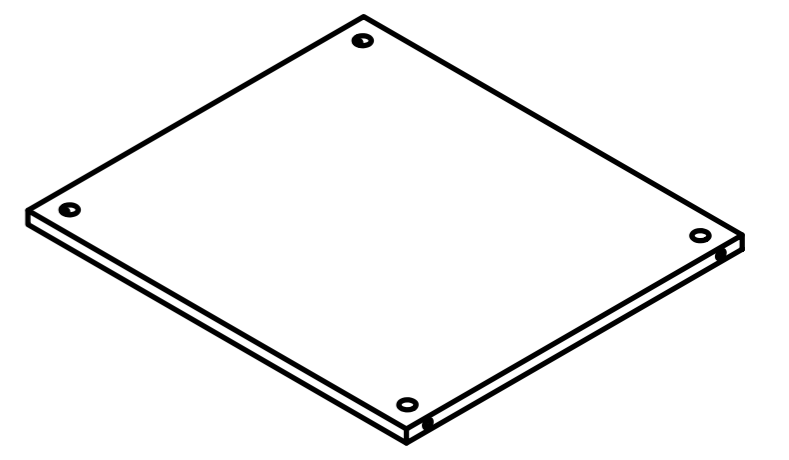
Gx1



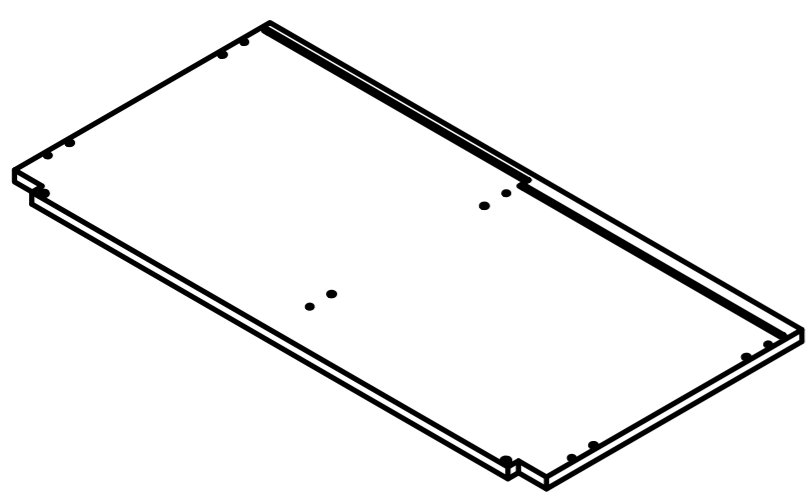
Hx1



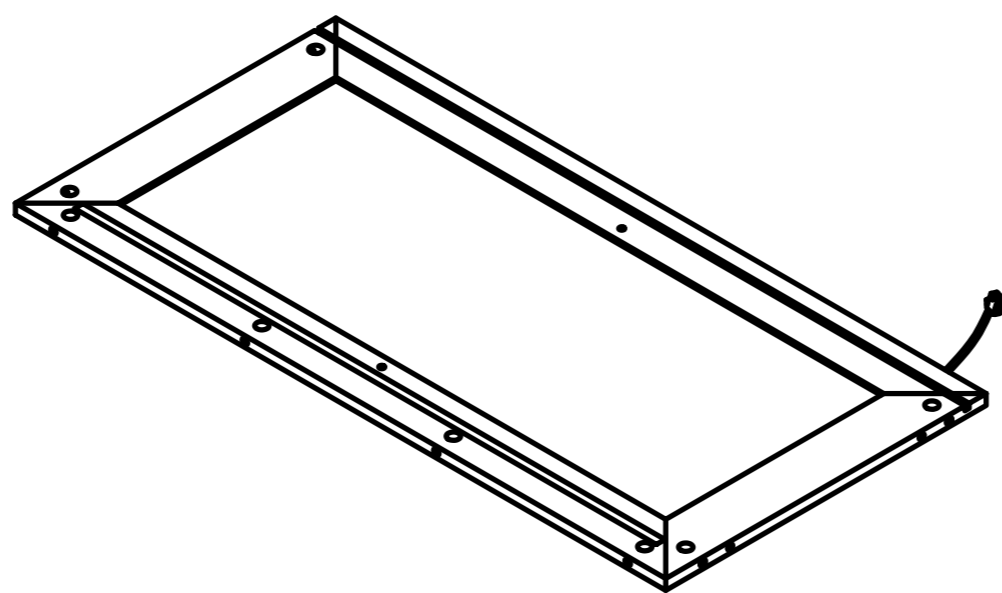
Ix1



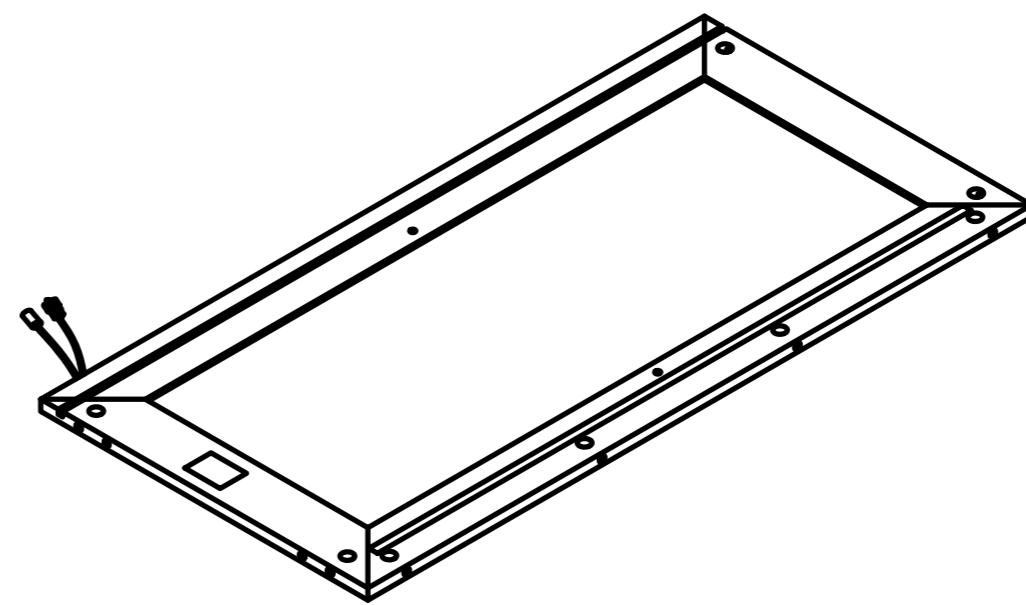
Jx1



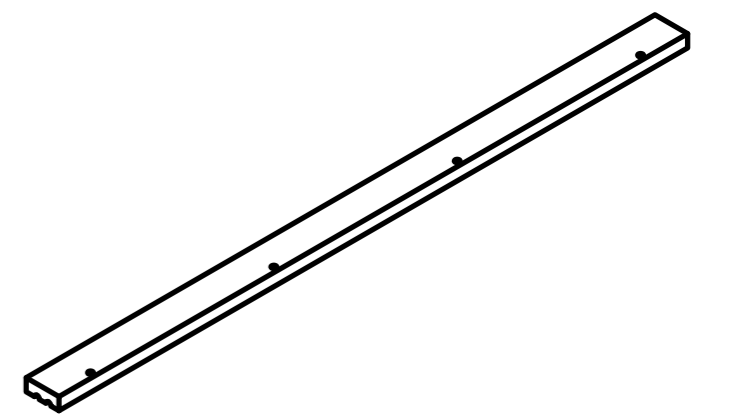
Kx1



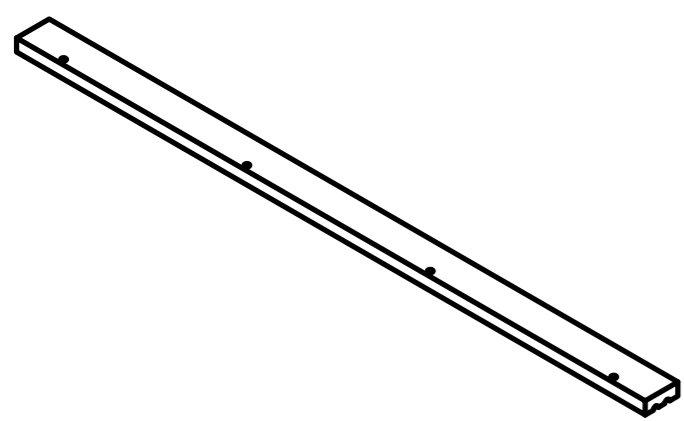
Lx1



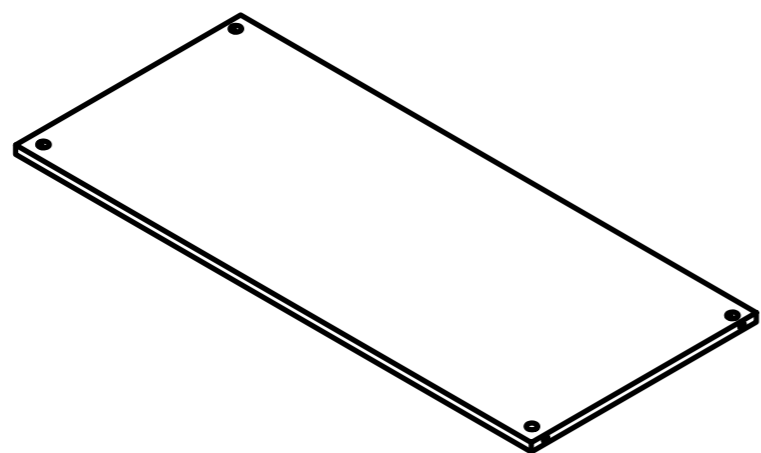
Mx1



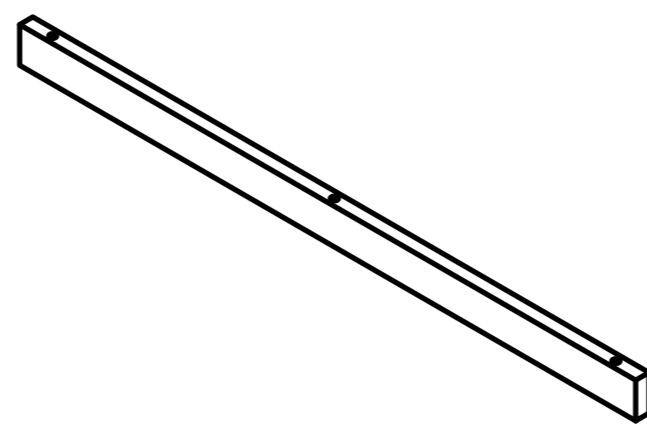
Nx1



Ox1



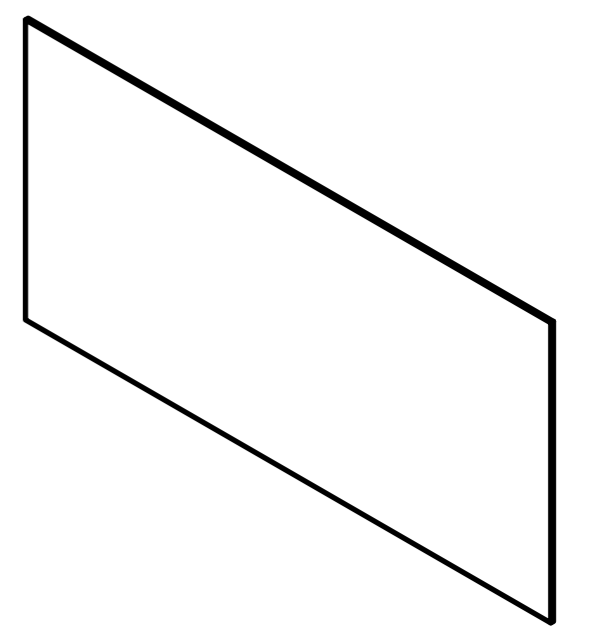
Px1



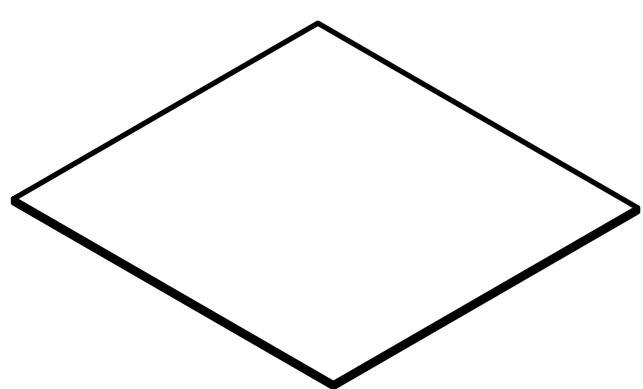
Qx1



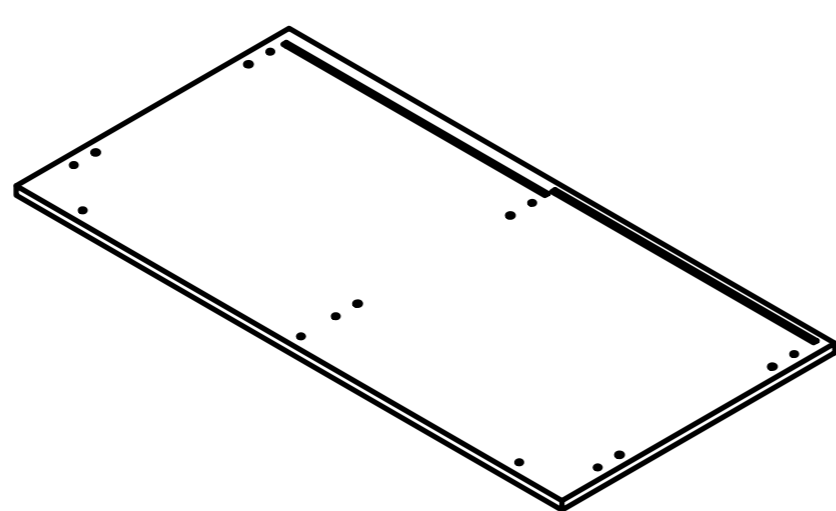
Rx2



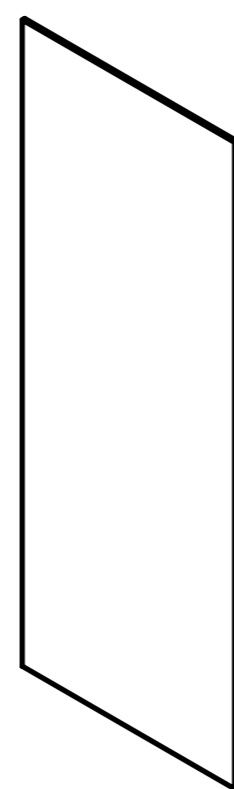
Sx2



Tx2



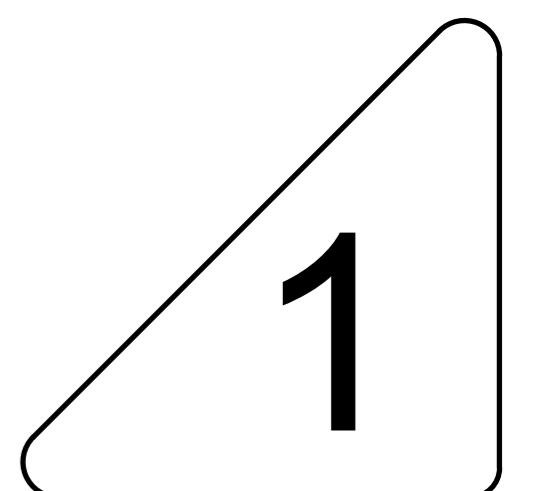
Ux1



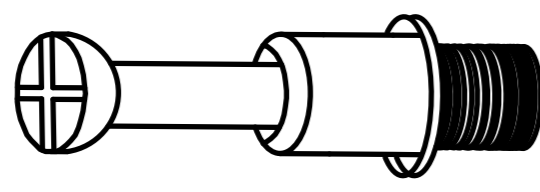
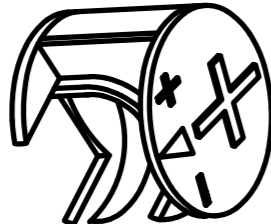


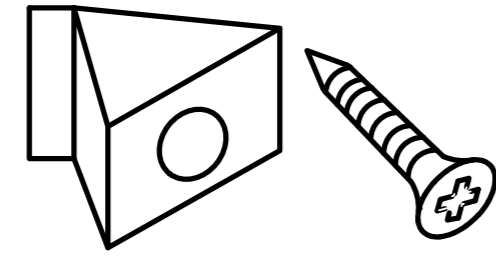
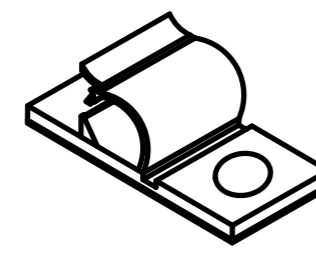
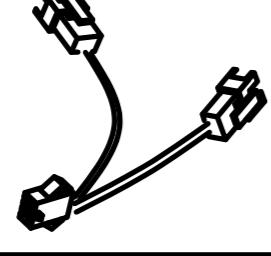
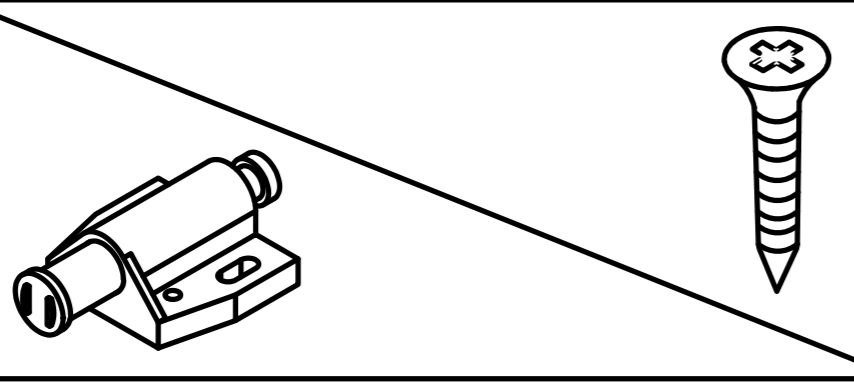
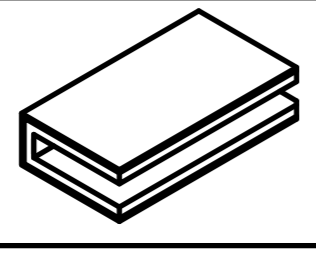
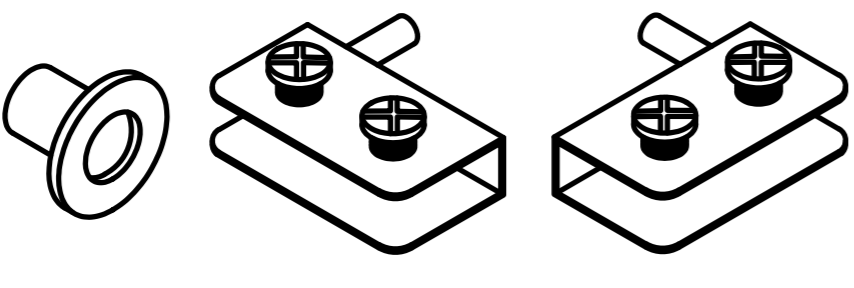
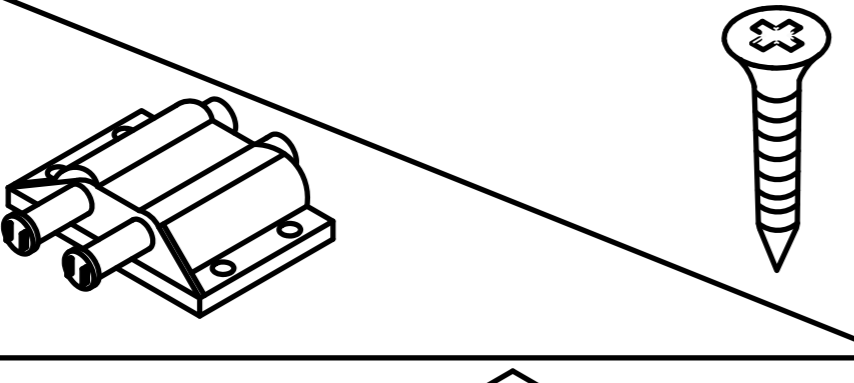
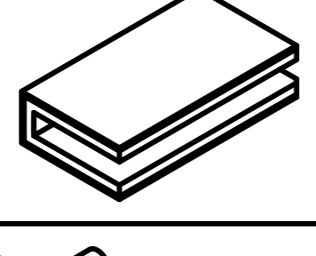
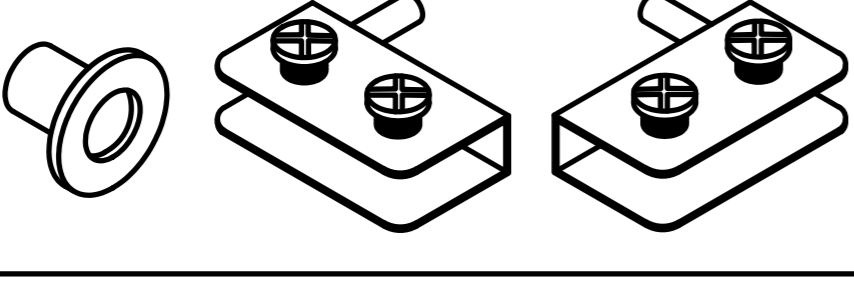
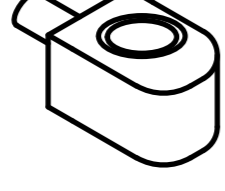
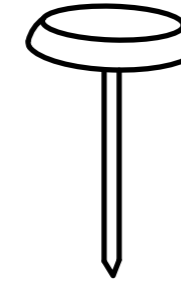
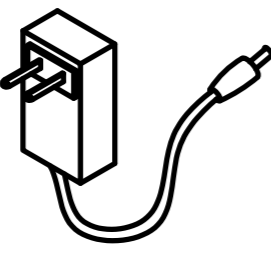
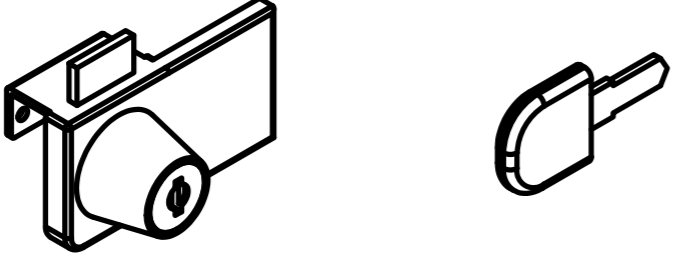
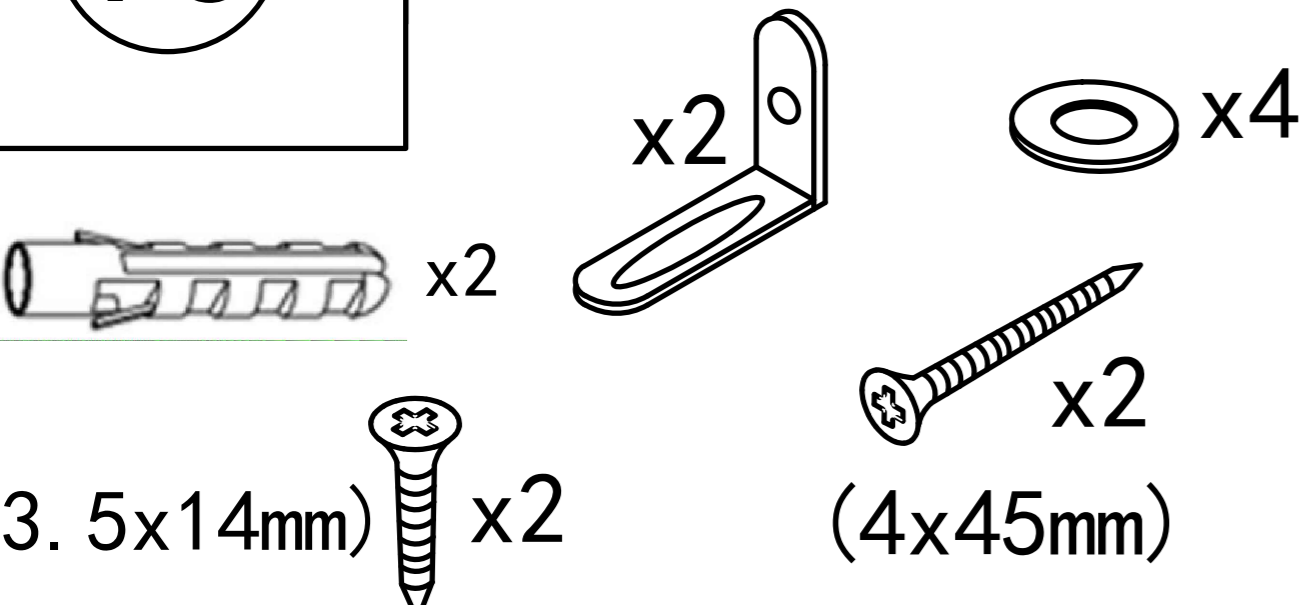
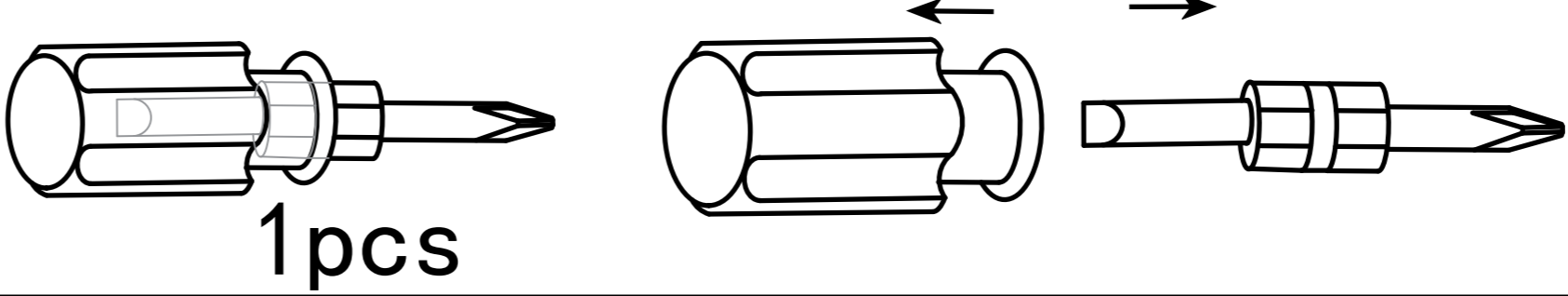
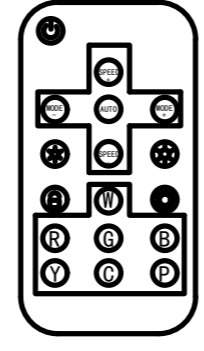
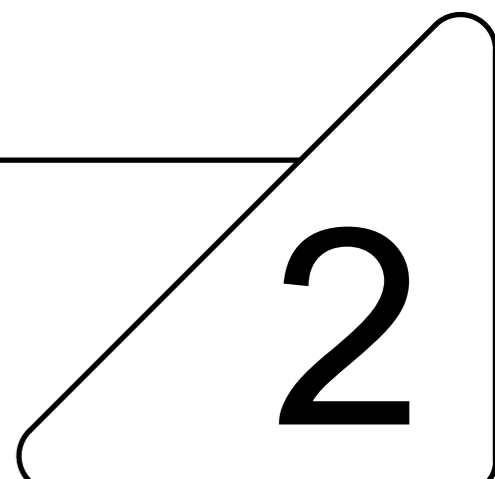
Vx2



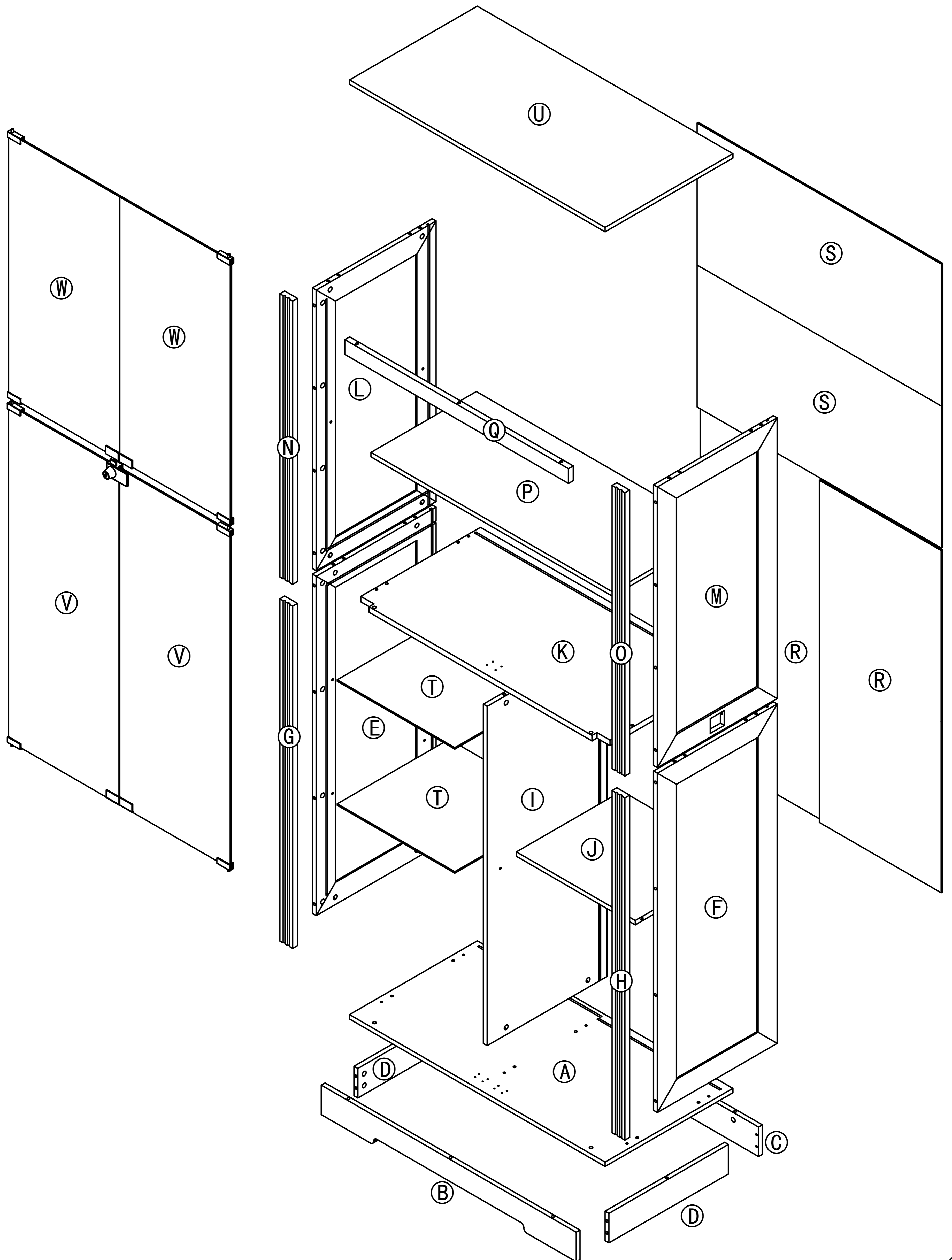
Wx2



1

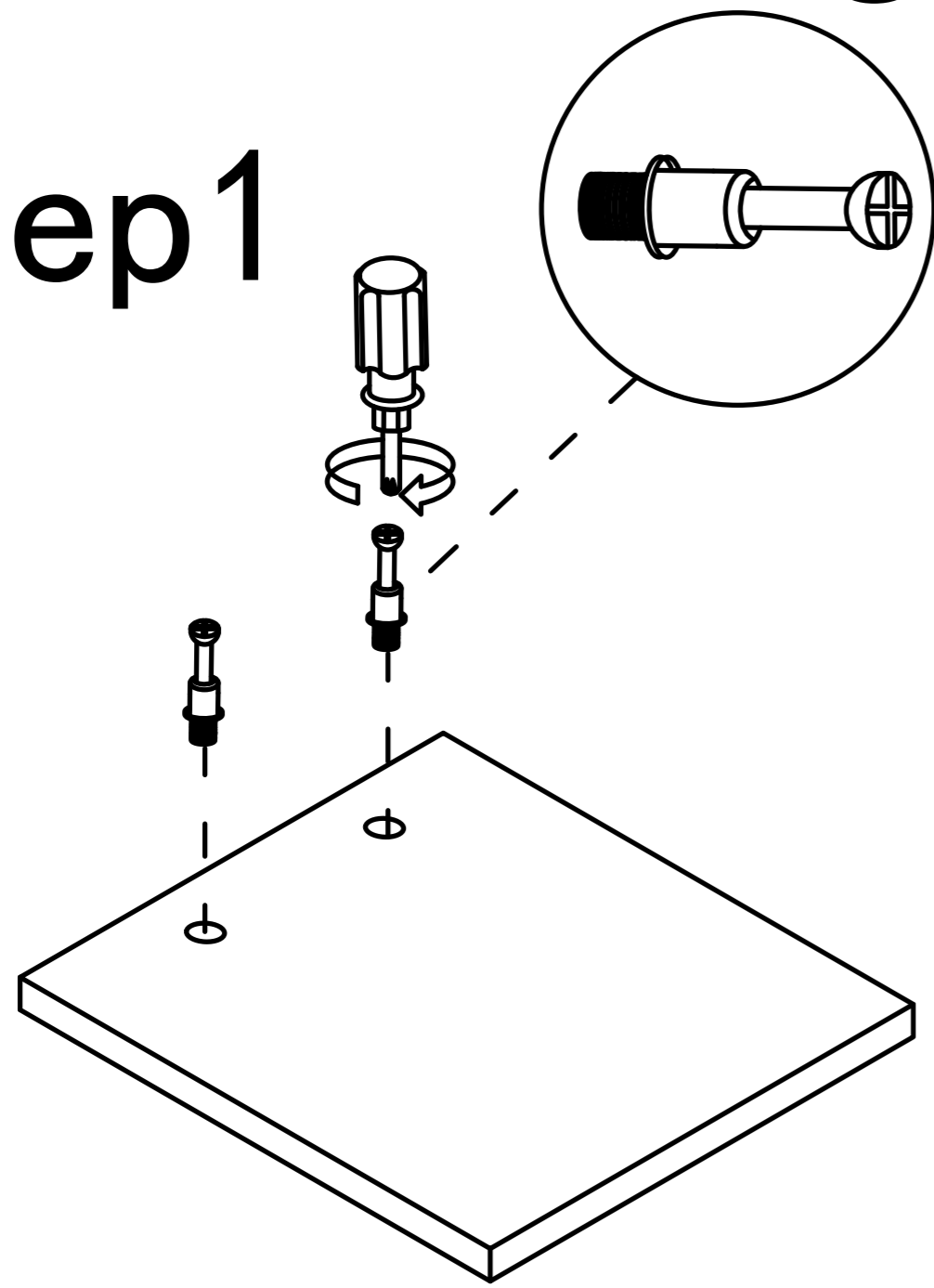
①		Two in one screw (6x28mm)	63pcs +3pcs
②		Two in one nut (10x12mm)	63pcs +3pcs
③		Wood Chipping (6x30mm)	20pcs +4pcs
④		Non-slip pads	6pcs
⑤		Fixing clip & screw (3x16mm)	20pcs +1pcs
⑥		Wire clamp	3pcs +2pcs
⑦		Double end connecting line	2pcs
⑧		Rebound device & Screw (3x16mm)	8pcs +2pcs
		Iron sheet	2pcs
		Hinge	4pcs
⑨		Rebound device & Screw (3x16mm)	4pcs +1pcs
		Iron sheet	2pcs
		Hinge	4pcs
⑩		Laminate Support Nail	8pcs
⑪		Foot nail	2pcs +1pcs
		AC/DC Adapter (12V=3.0A)	1pcs
⑫		Double door glass lock & Key	2pcs 1pcs
⑬	Anti Fall Hardware 	Double-head screwdriver, use as required 	
		remote control 1pcs	

Product structure decomposition

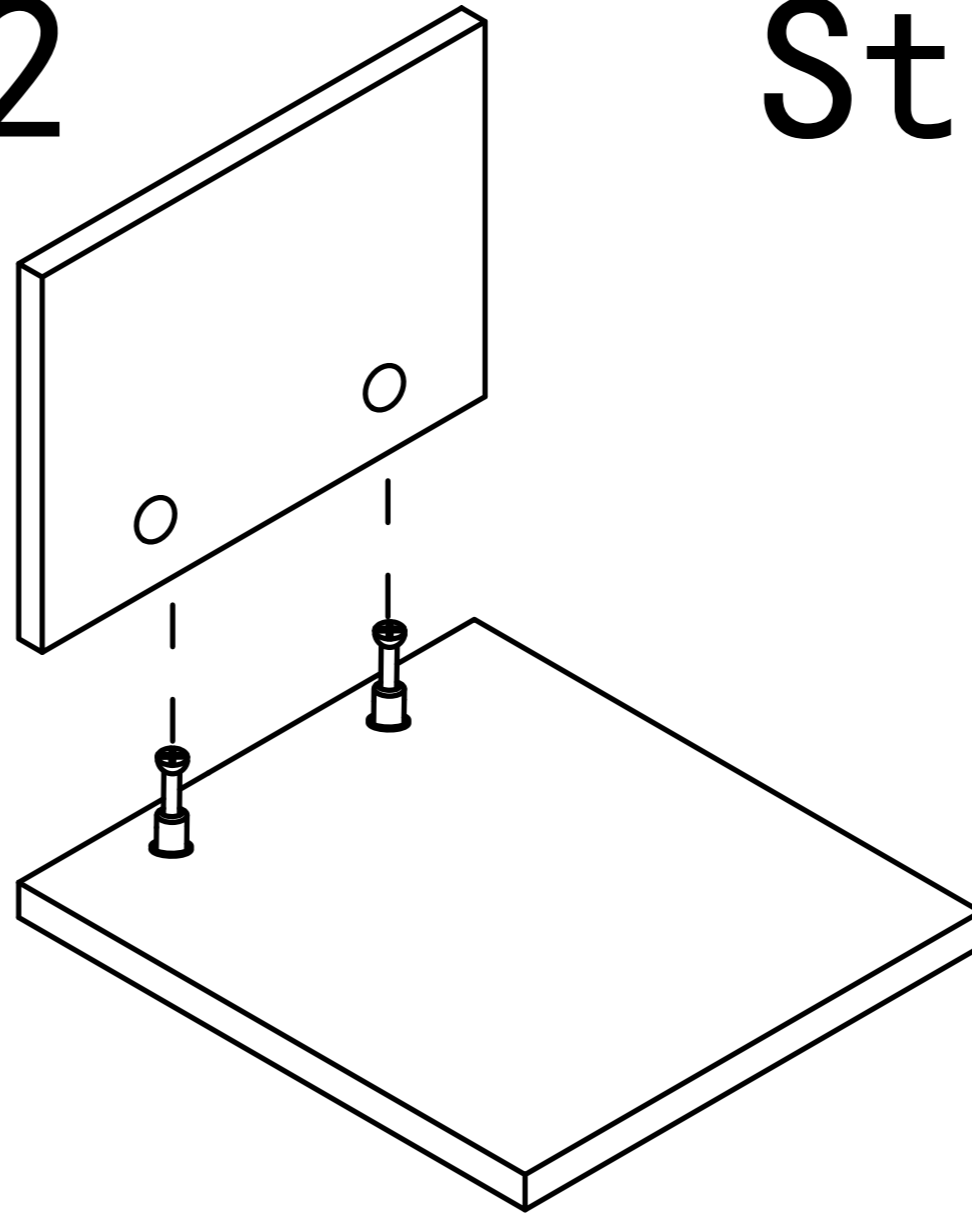


Use parts ① and ②

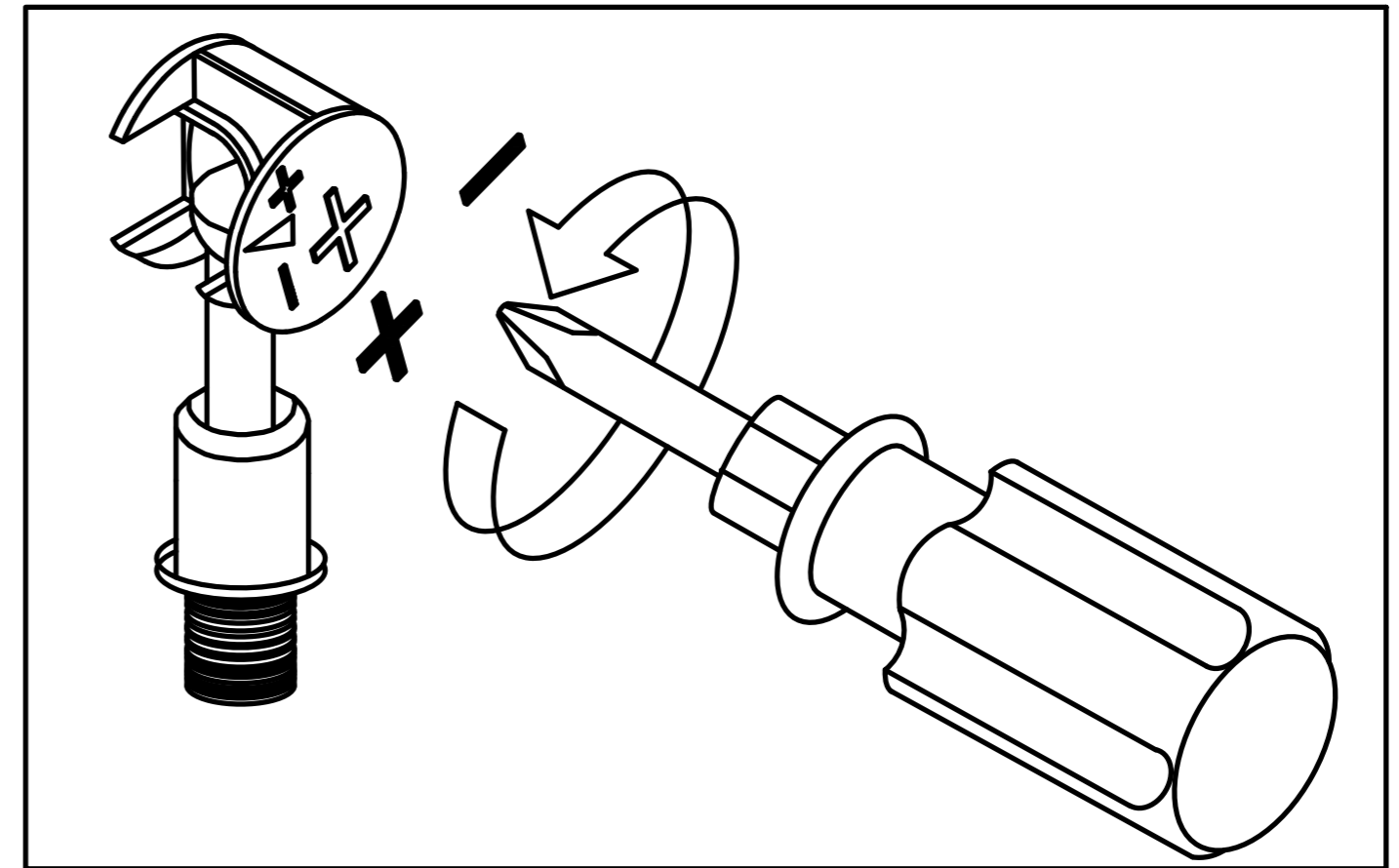
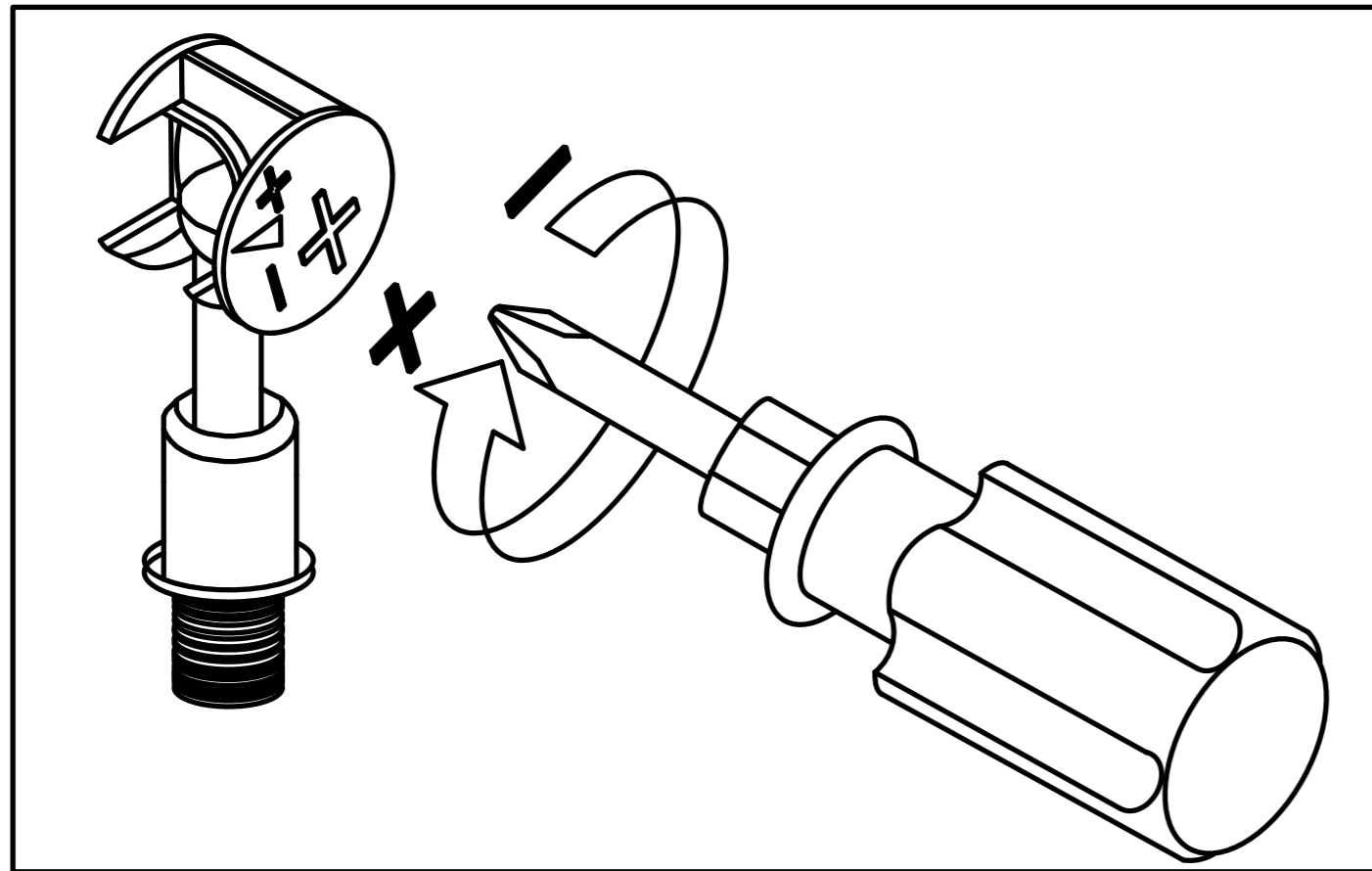
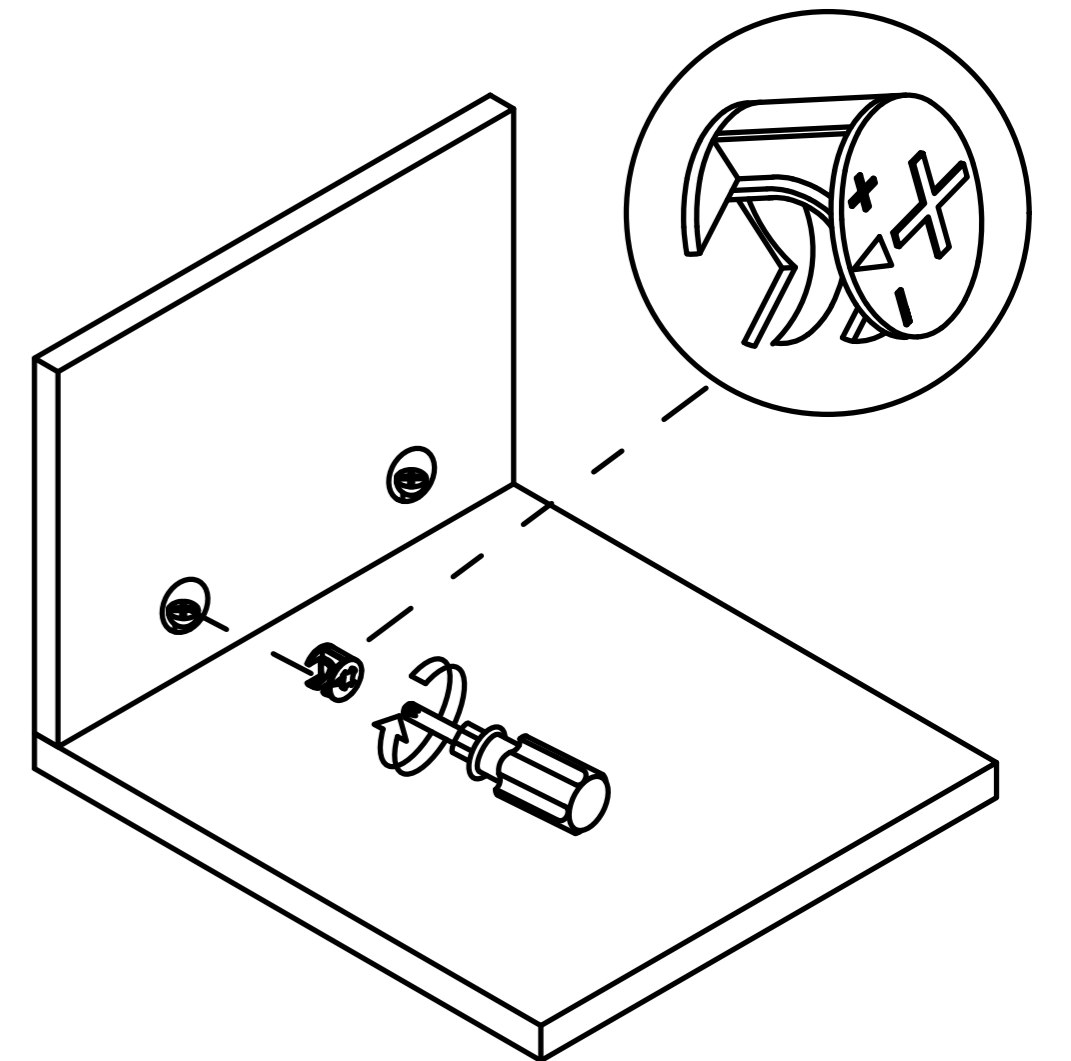
Step 1



Step 2



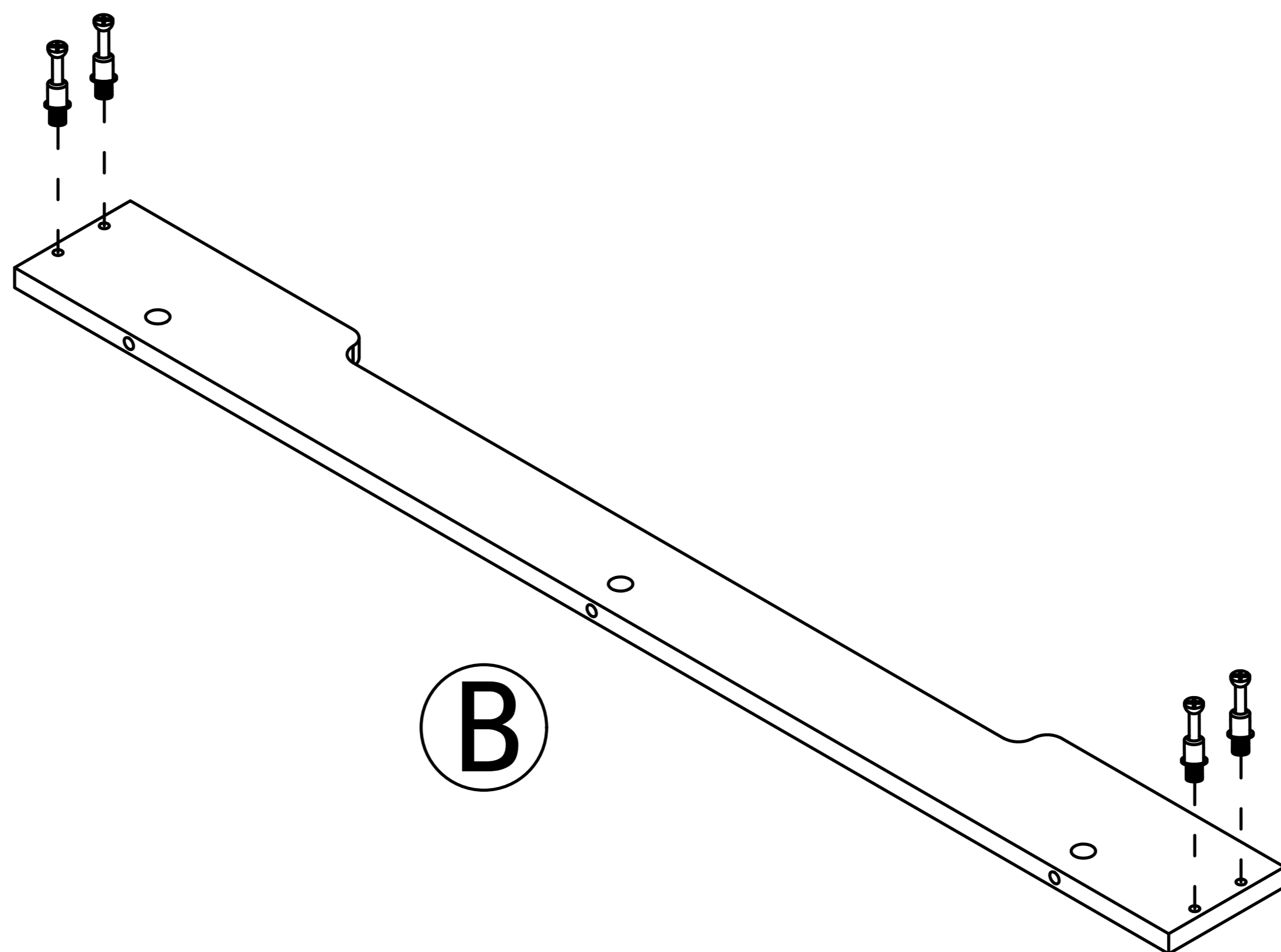
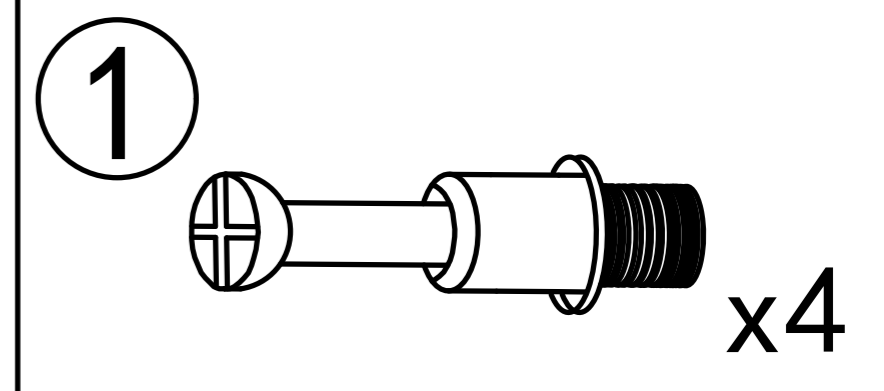
Step 3



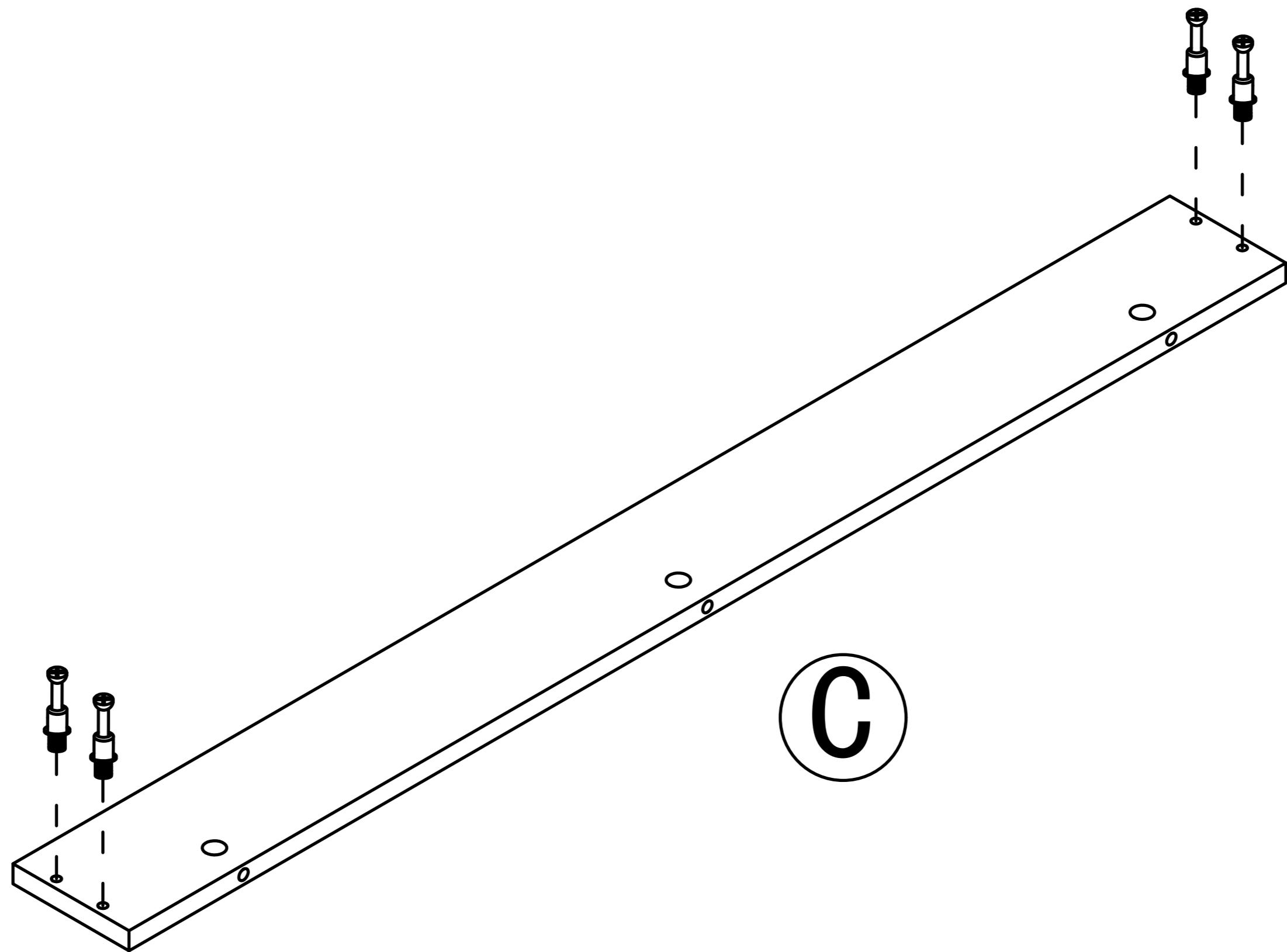
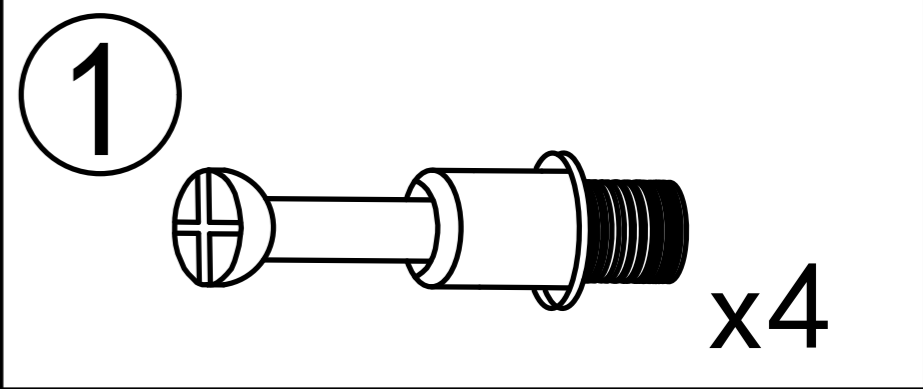
Use a screwdriver to lock in the direction of the "+" sign

Disassemble along the direction of "-" sign

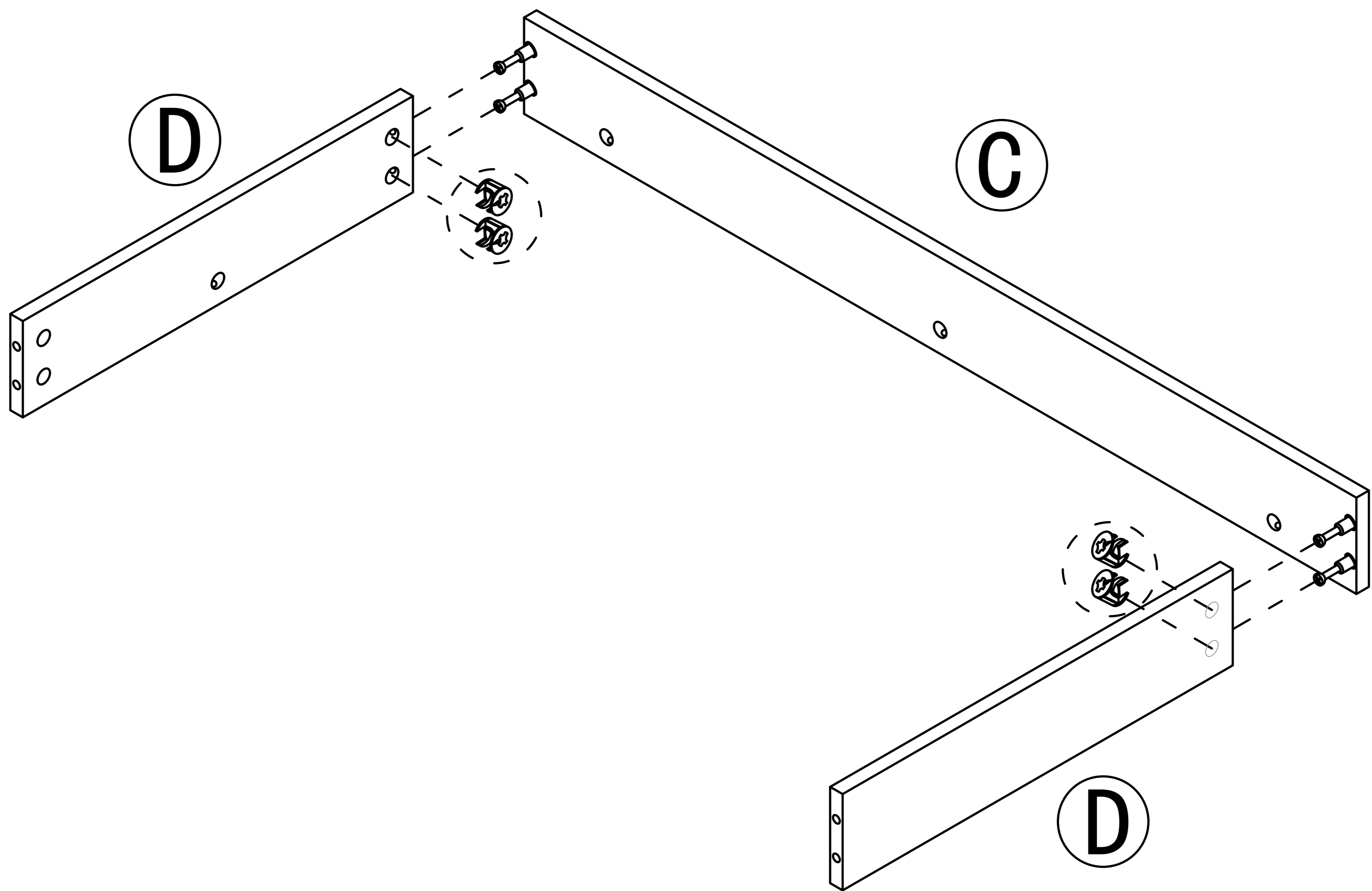
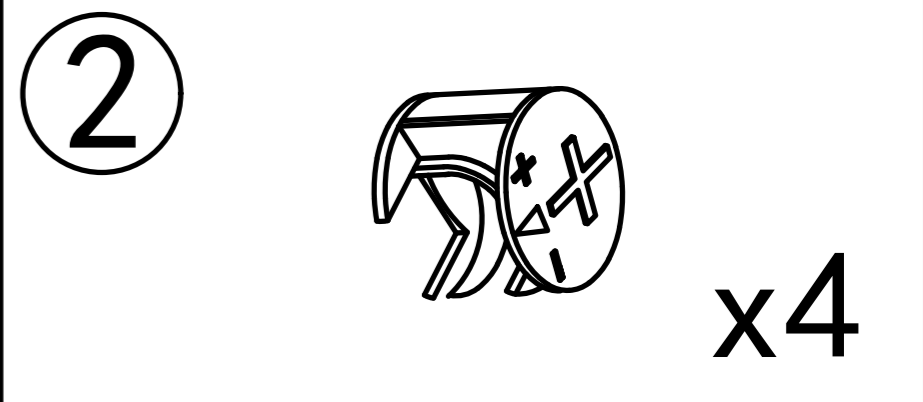
Step 1



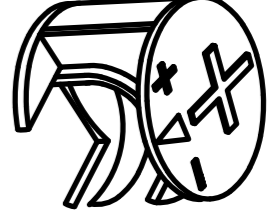
Step 2

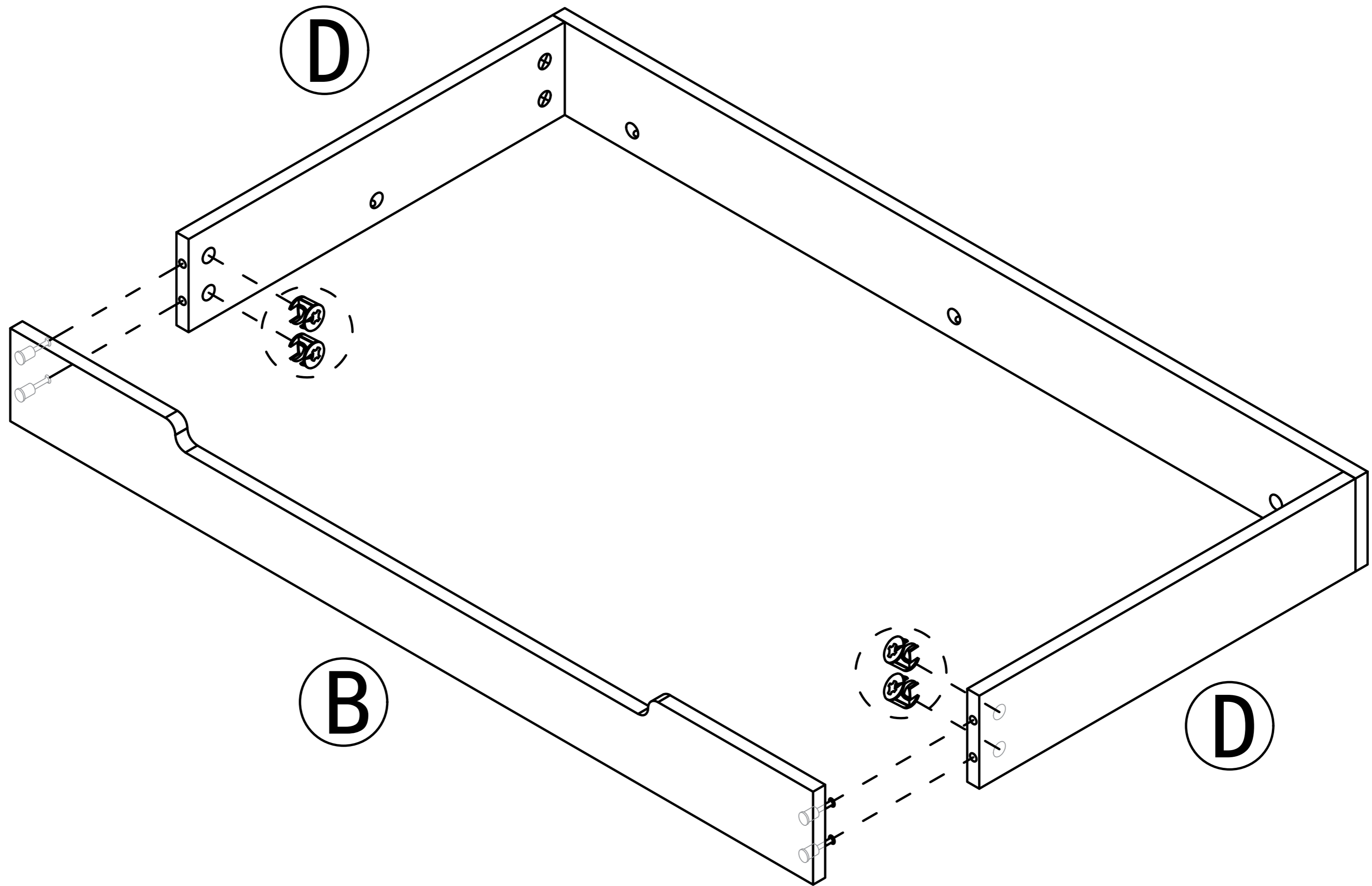


Step 3

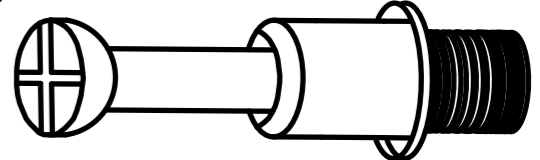


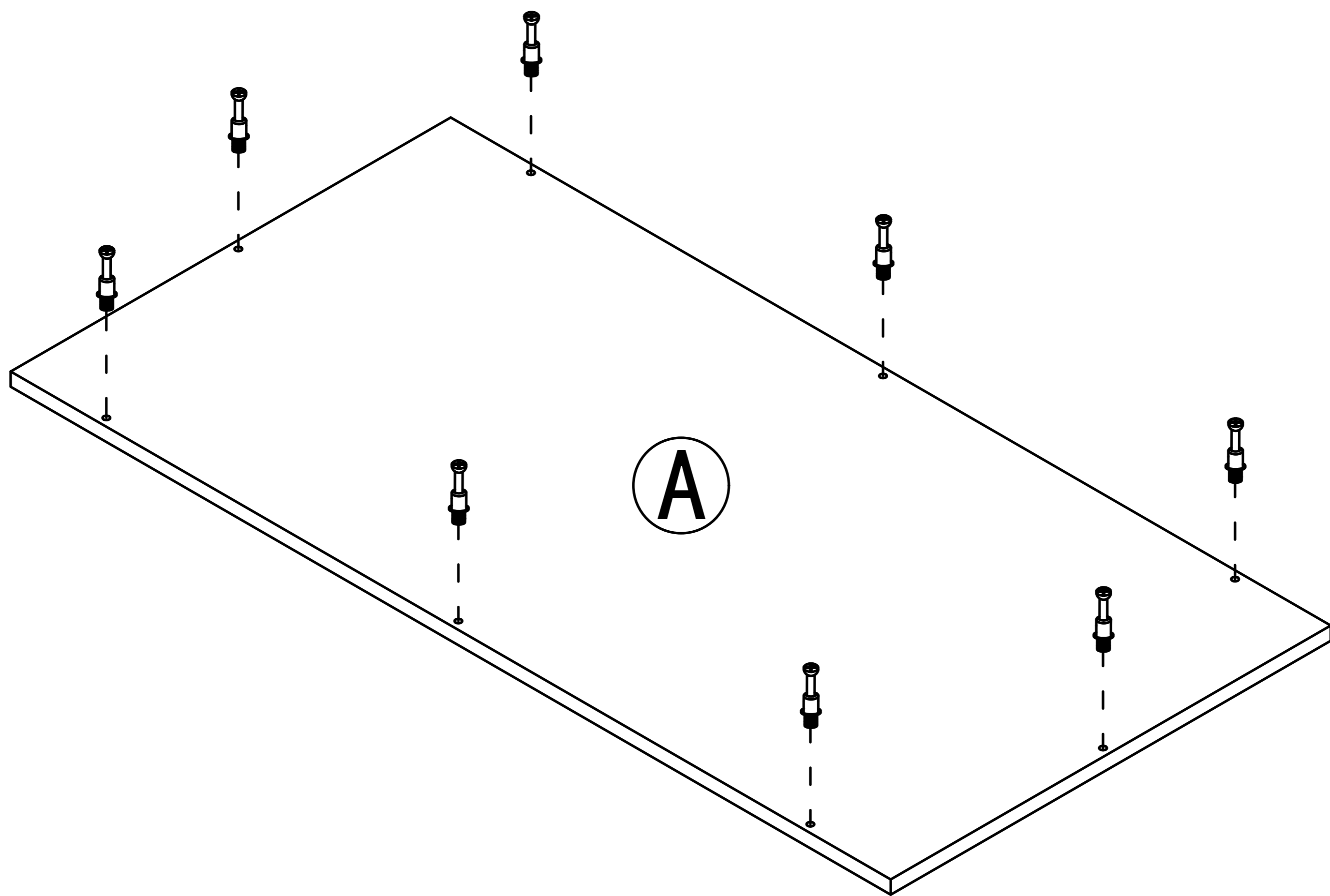
Step 4

2  x4

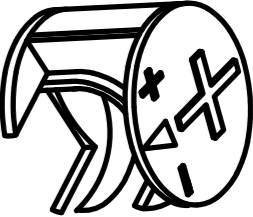


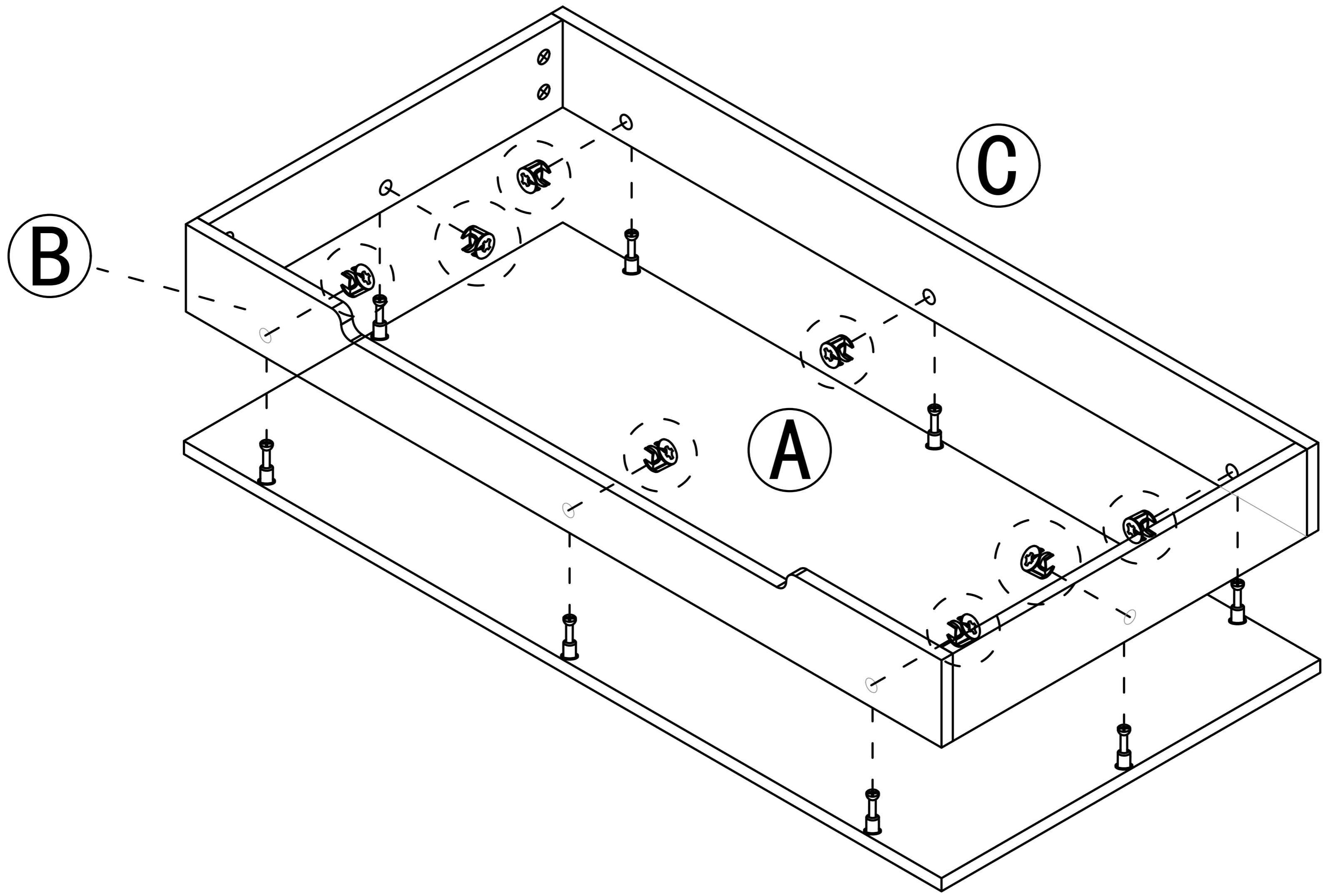
Step 5

1  x8

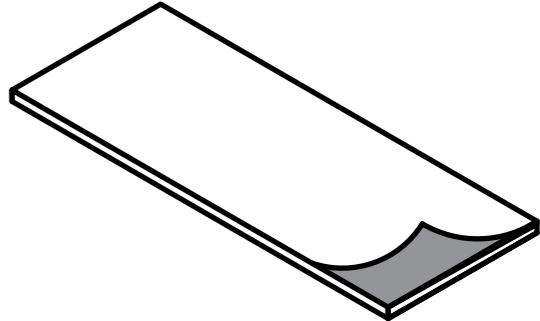


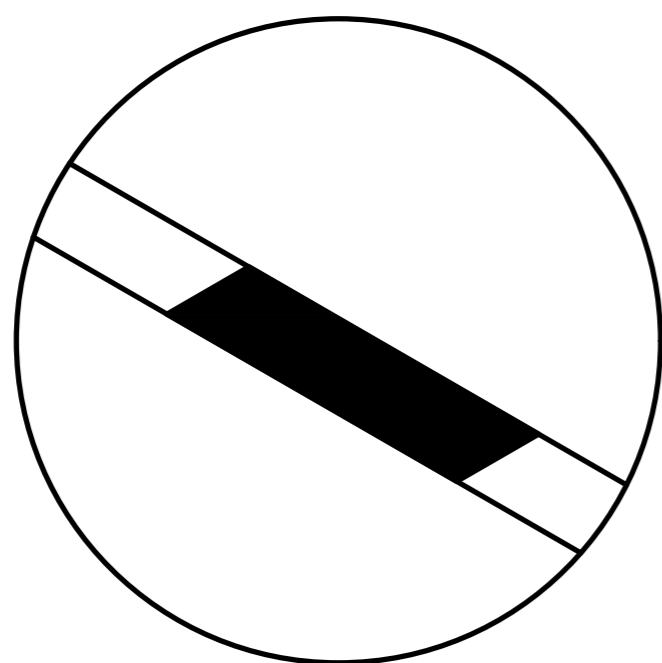
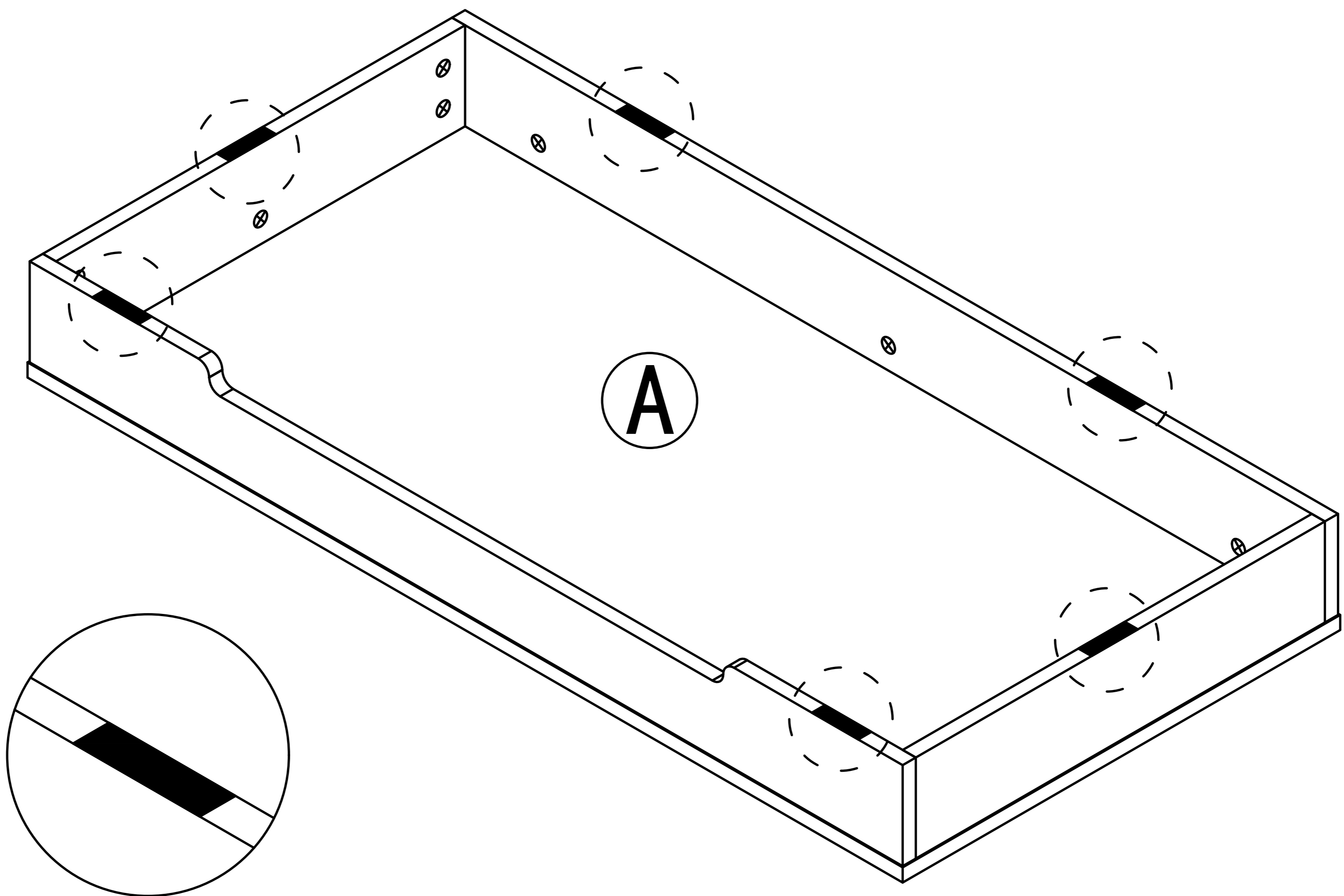
Step 6

②  x8

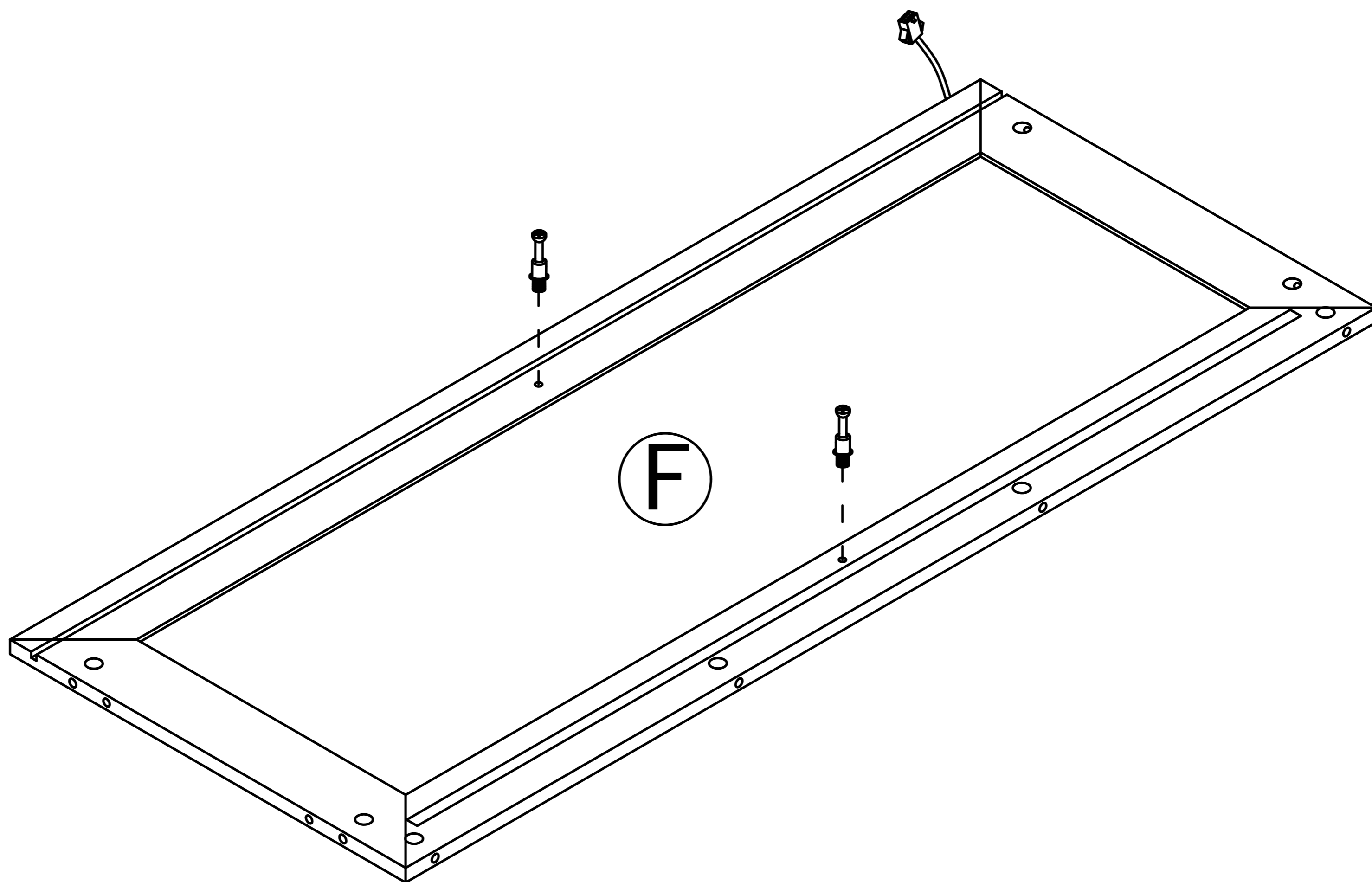
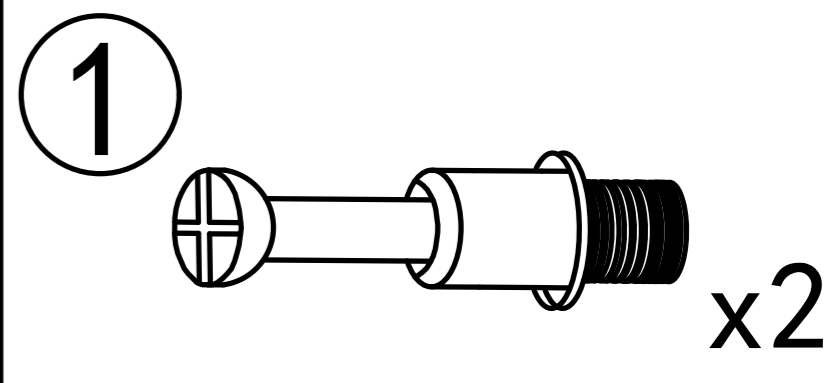


Step 7

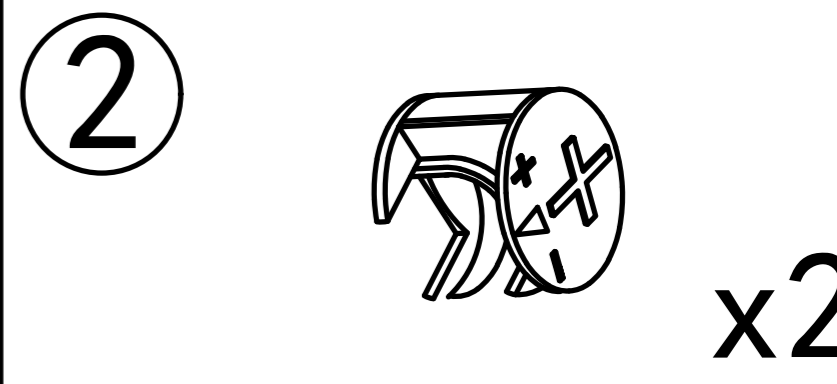
④  x6
Tear off release paper and stick the black foot pad on the board



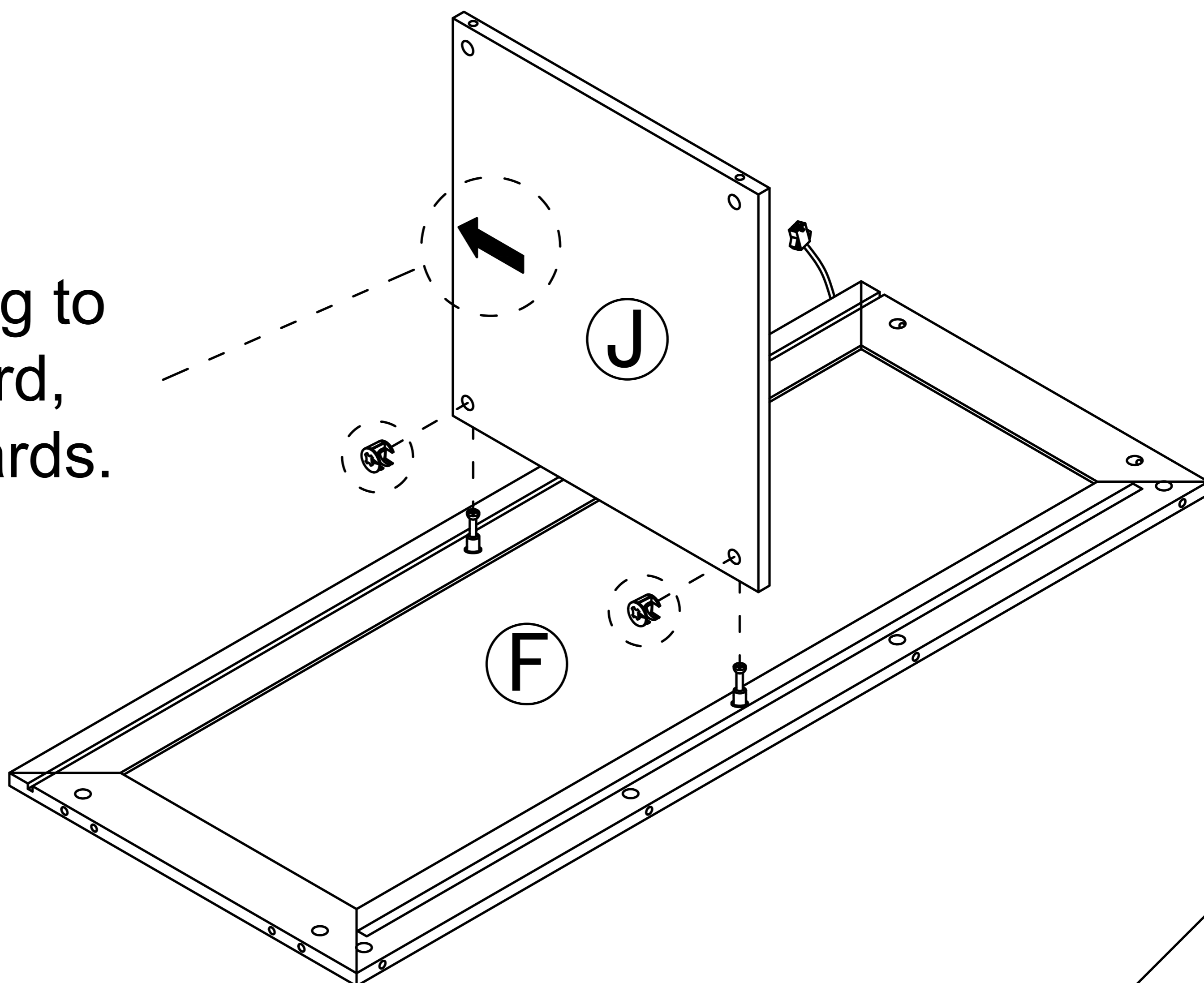
Step 8



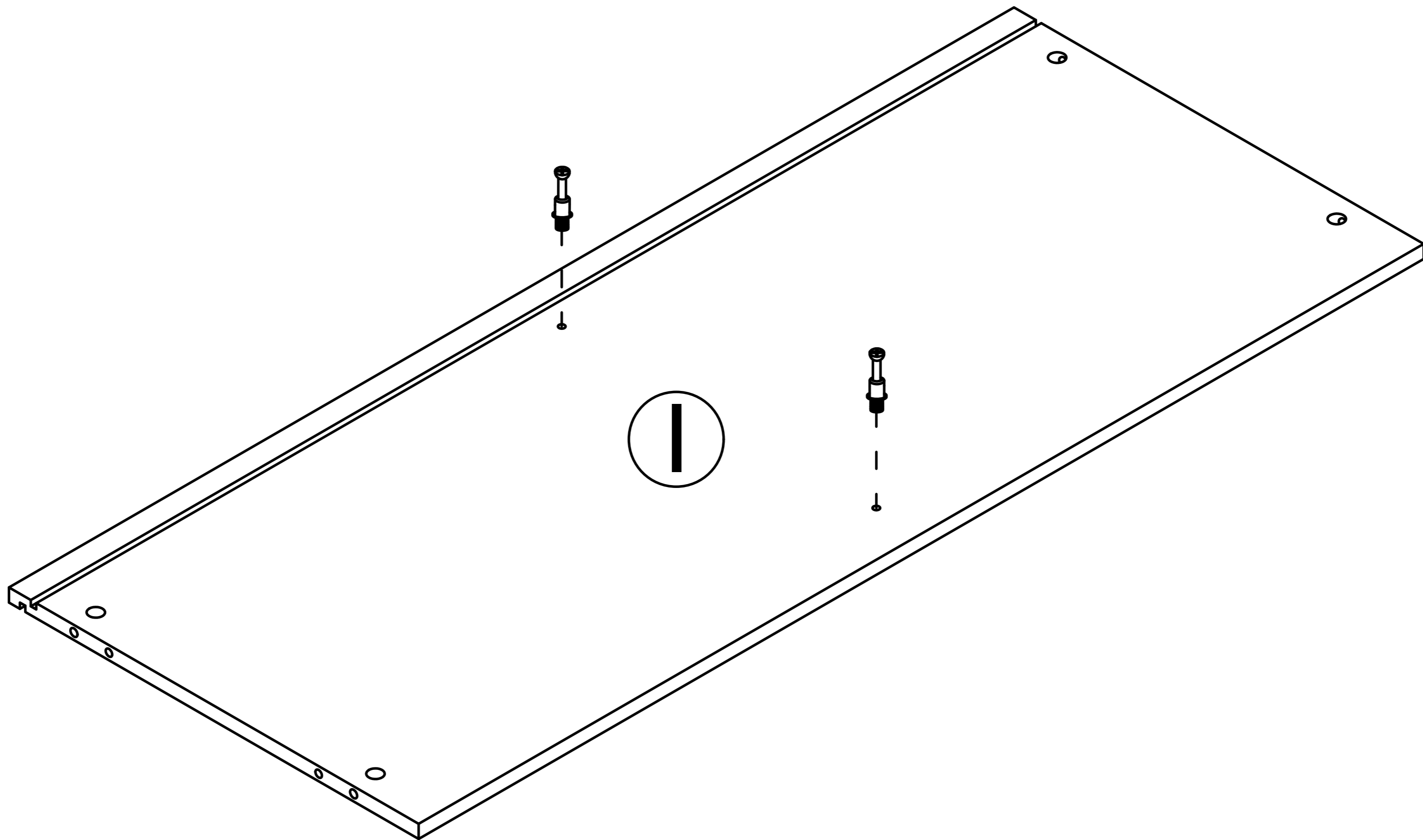
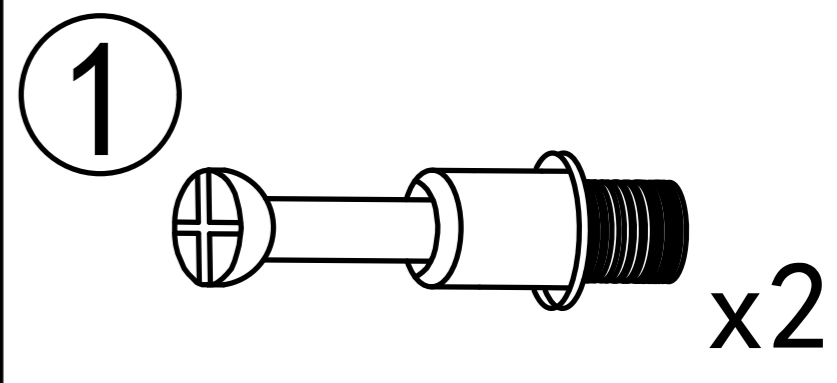
Step 9



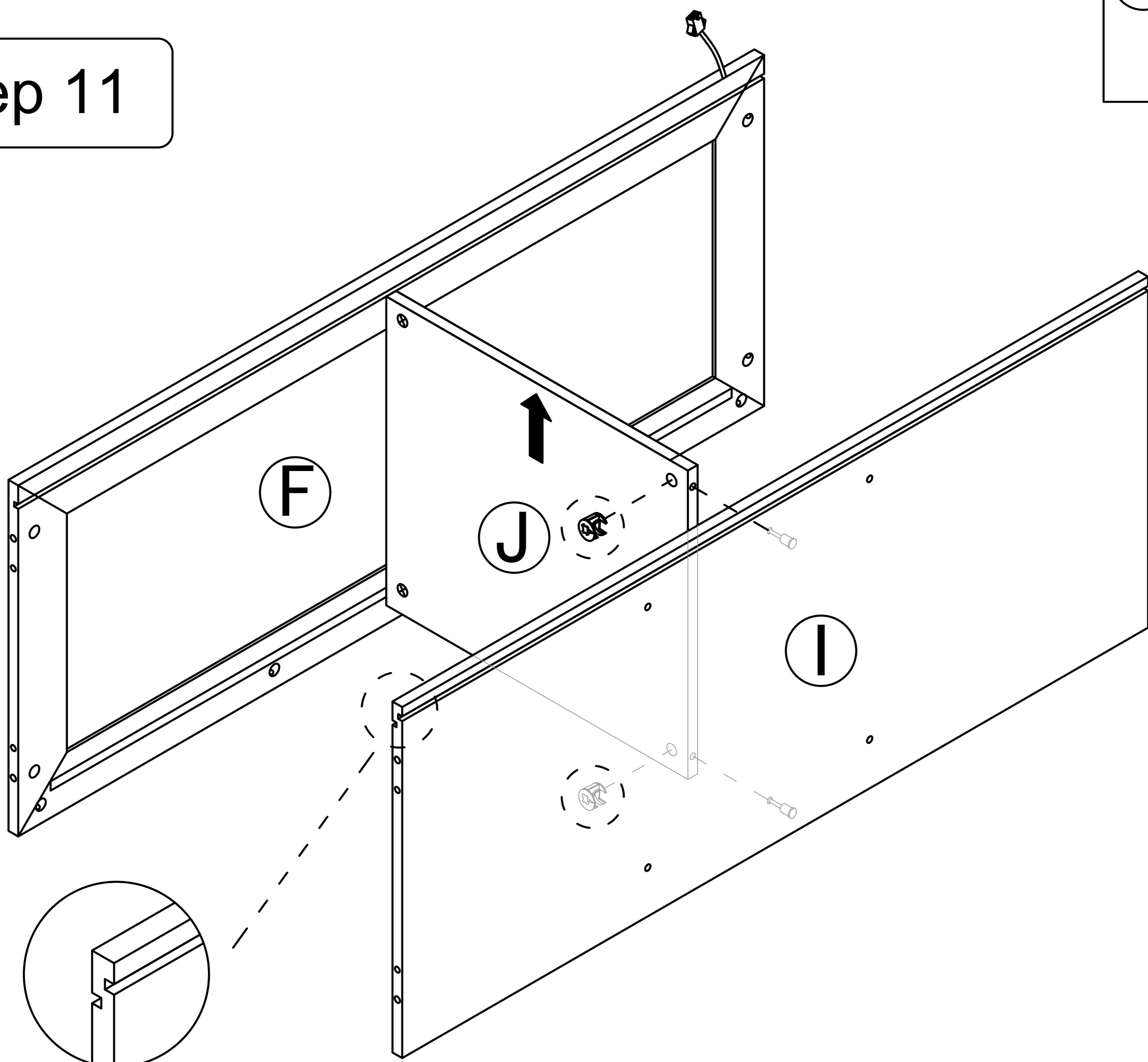
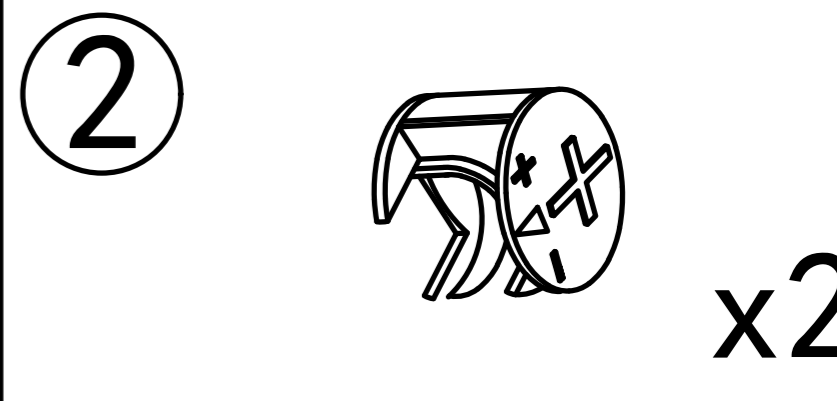
Note: Install according to the arrow on the board, don't install it backwards.



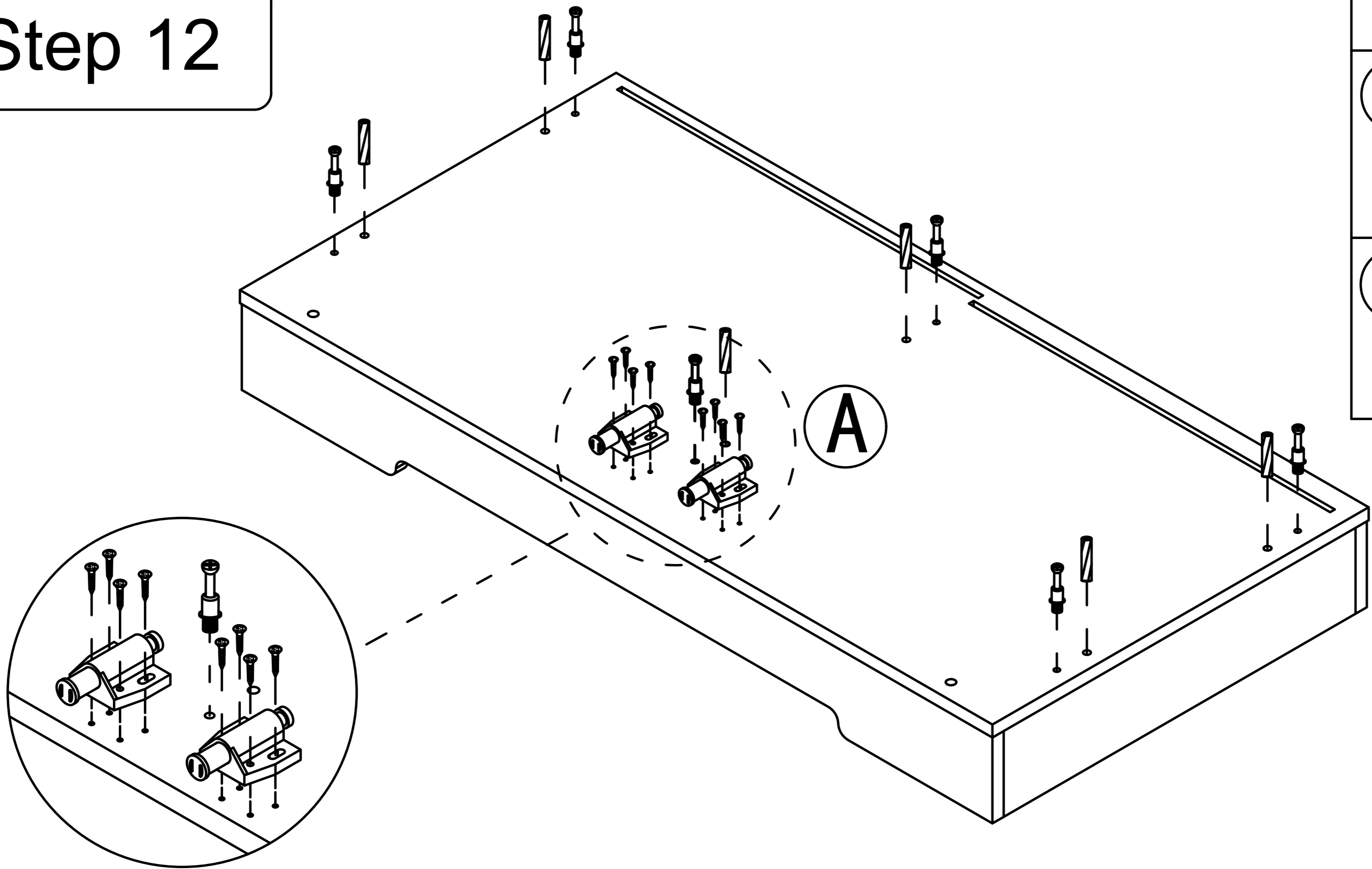
Step 10

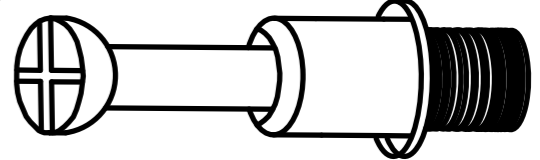
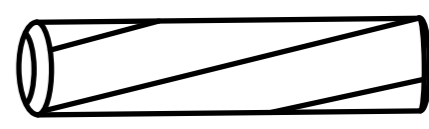
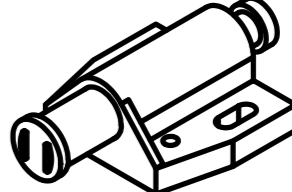



Step 11

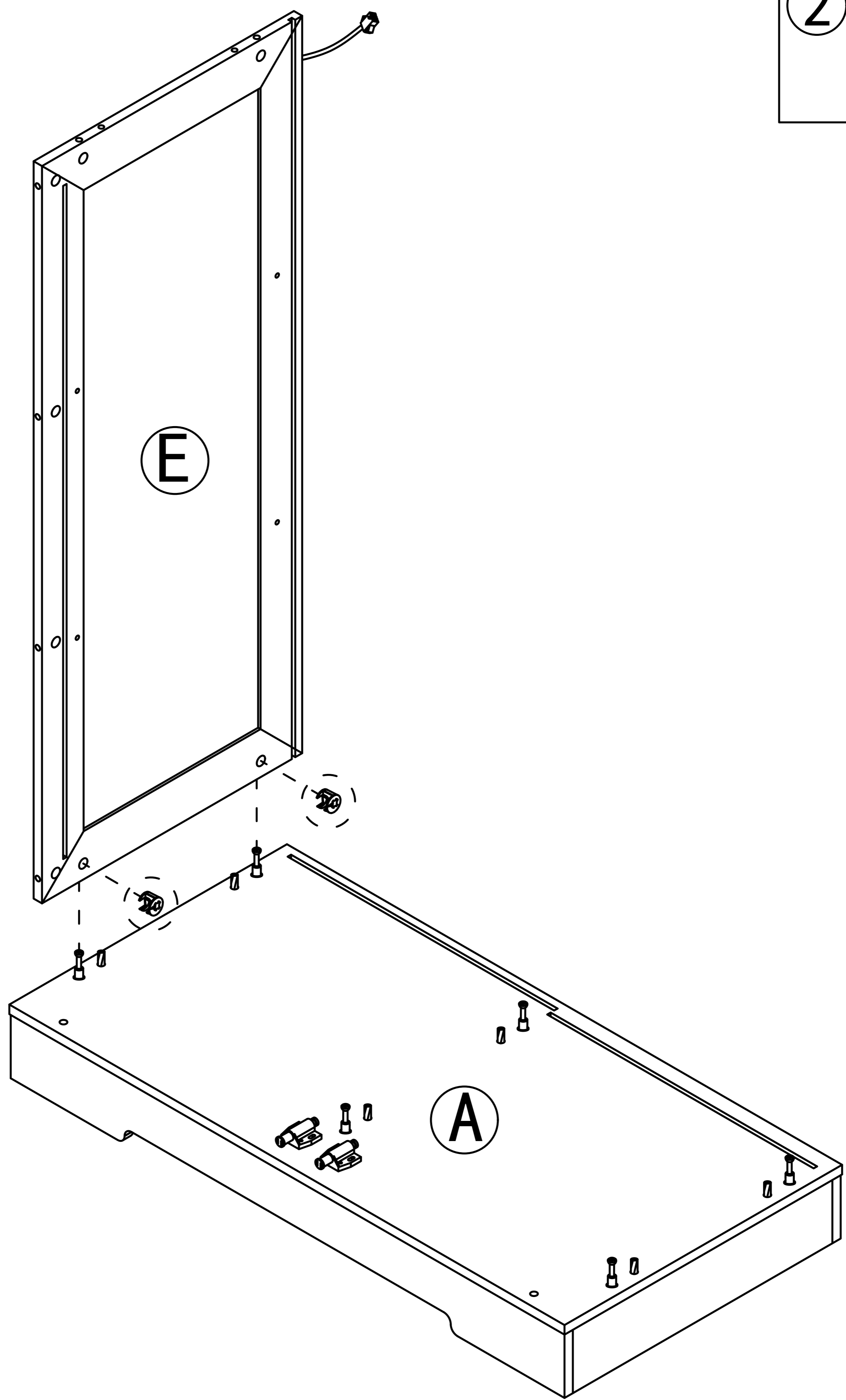


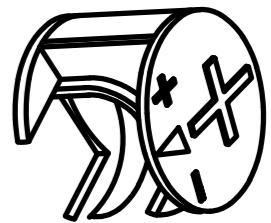
Step 12



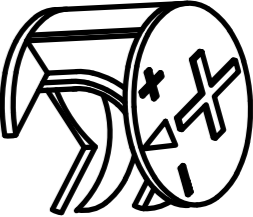
- ①  x6
- ③  x6
- ⑧  x2  x8

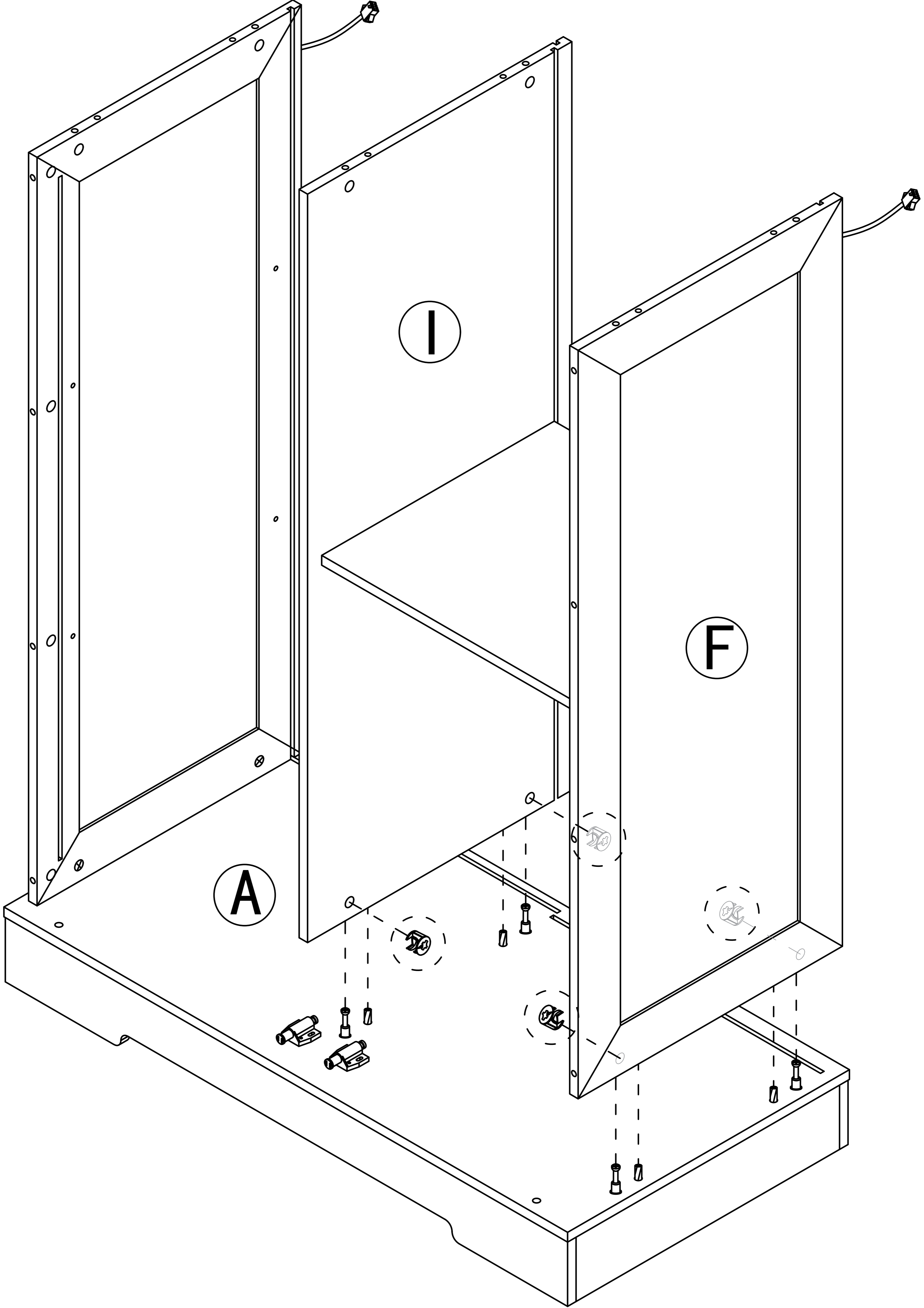
Step 13



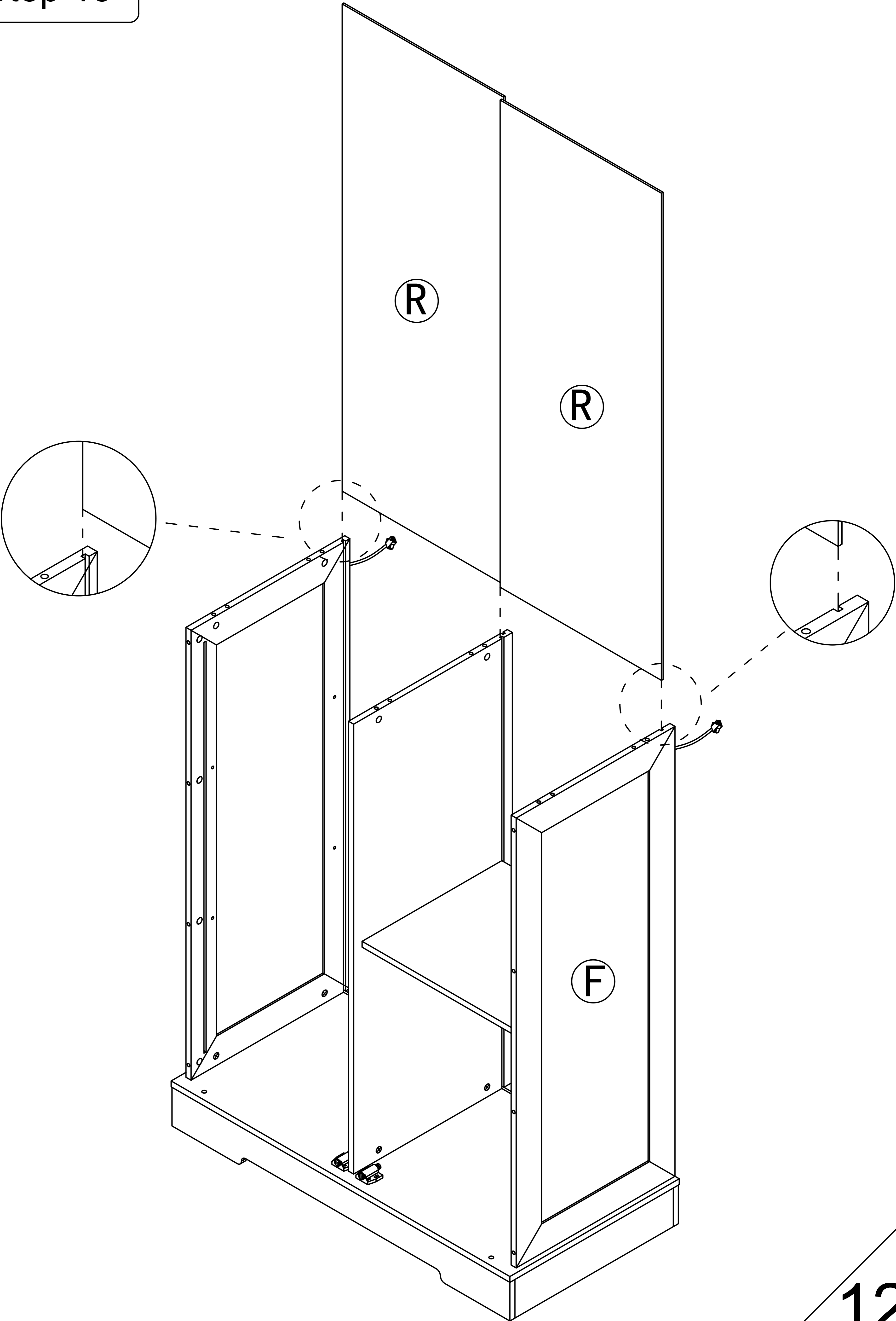
- ②  x2

Step 14

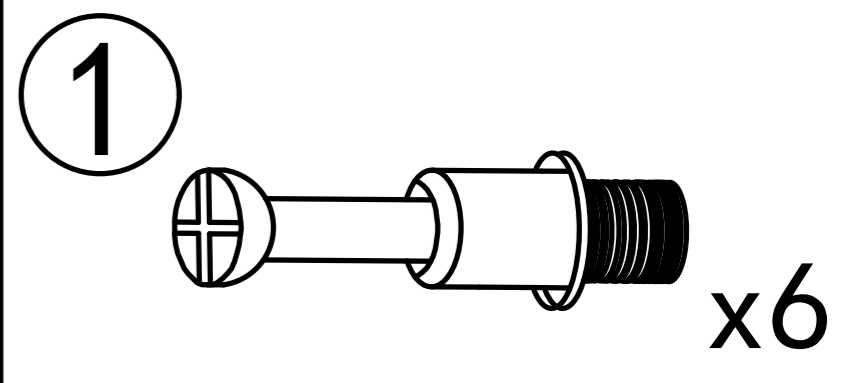
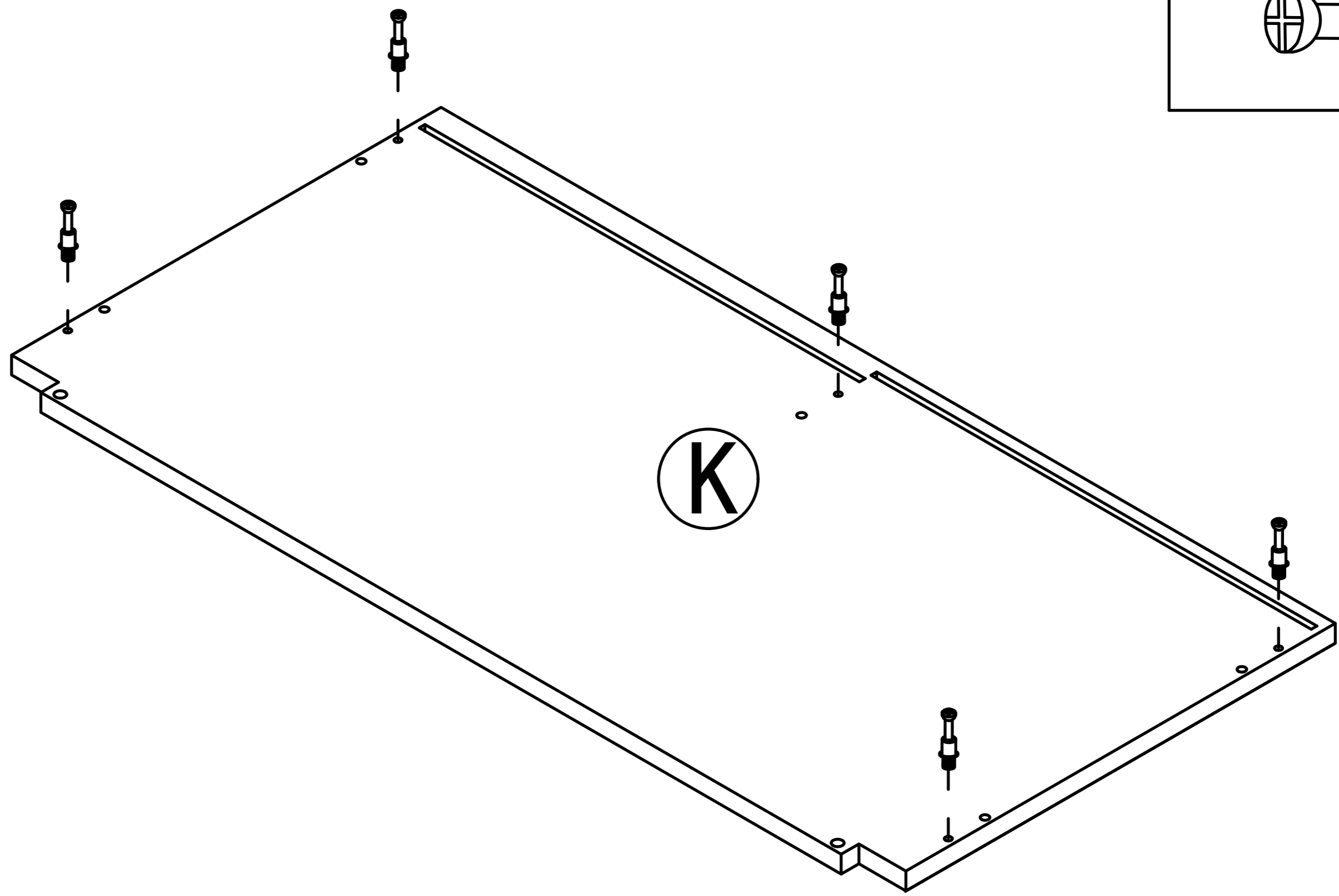
2  x4



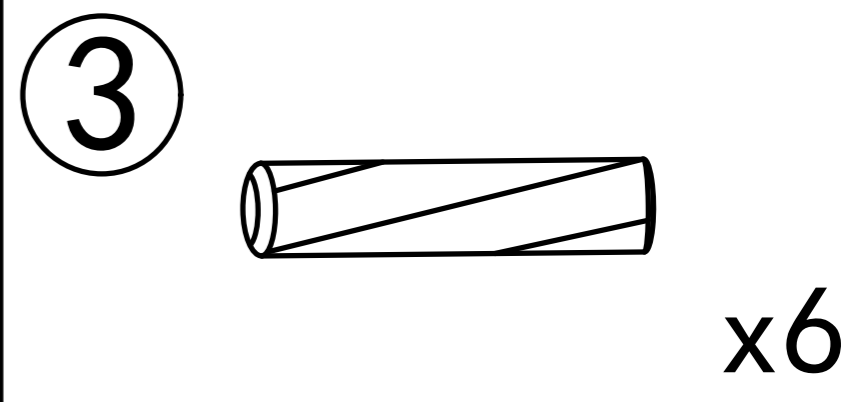
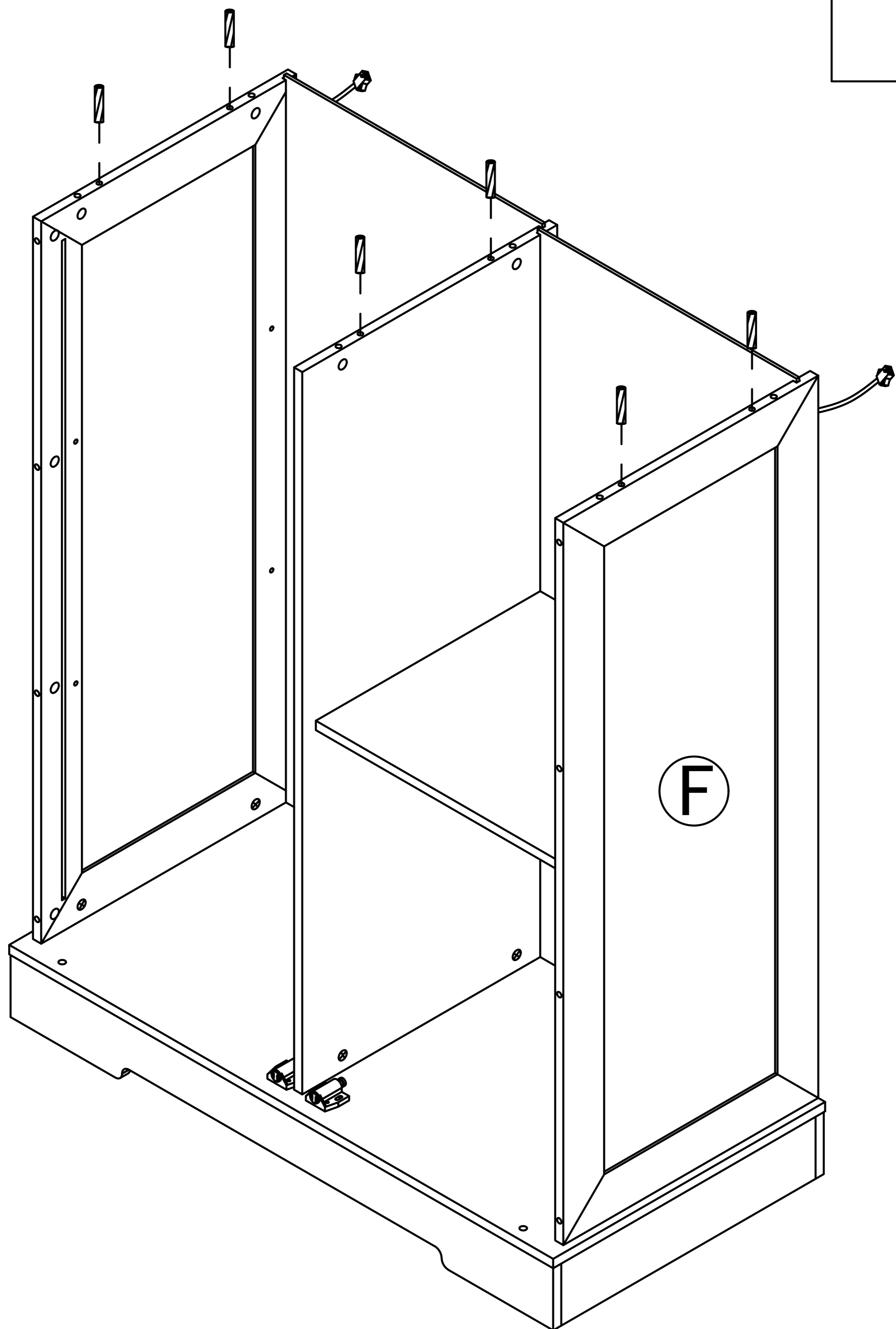
Step 15



Step 16

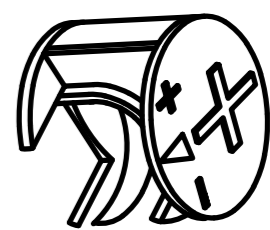


Step 17

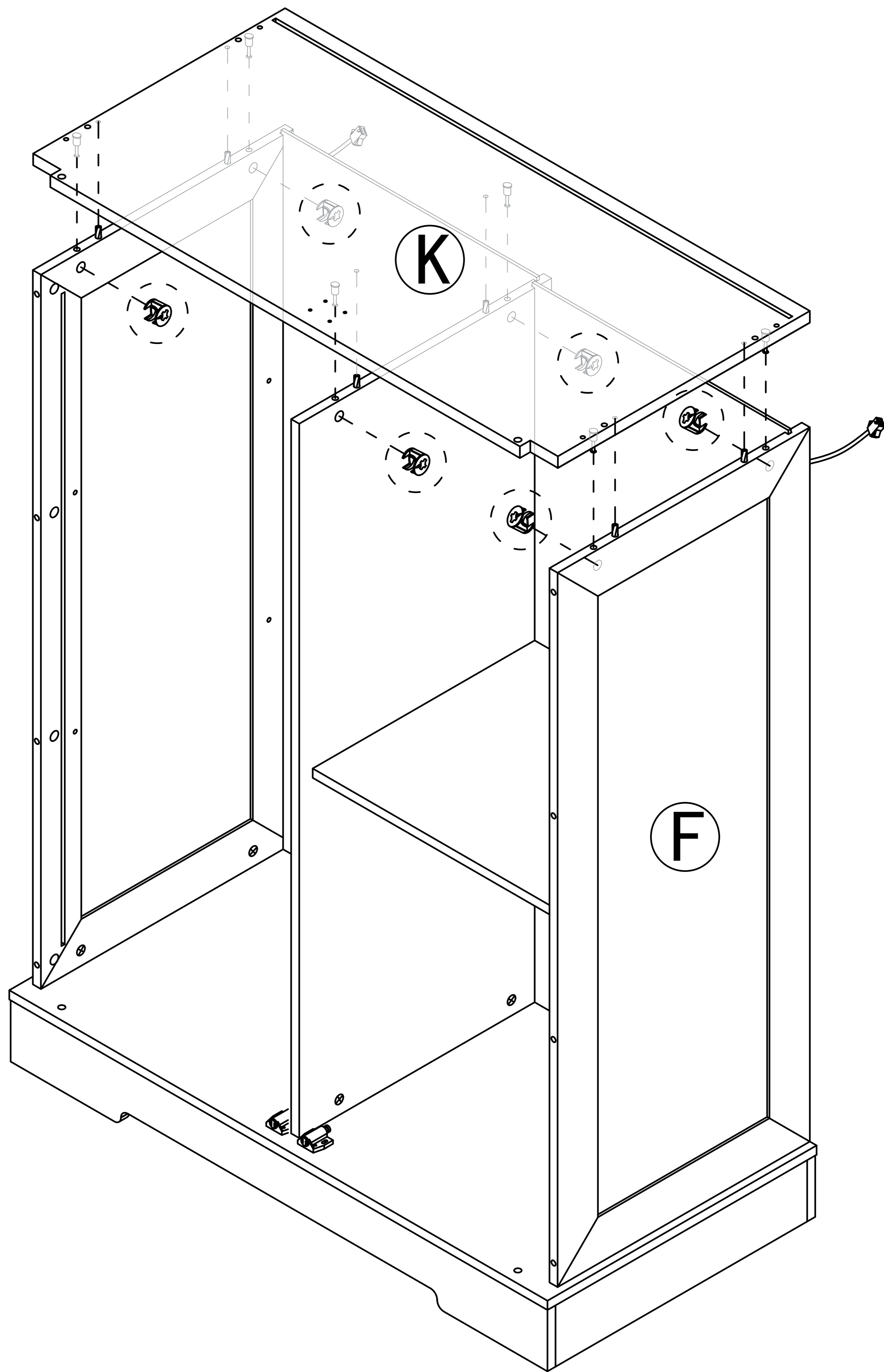


Step 18

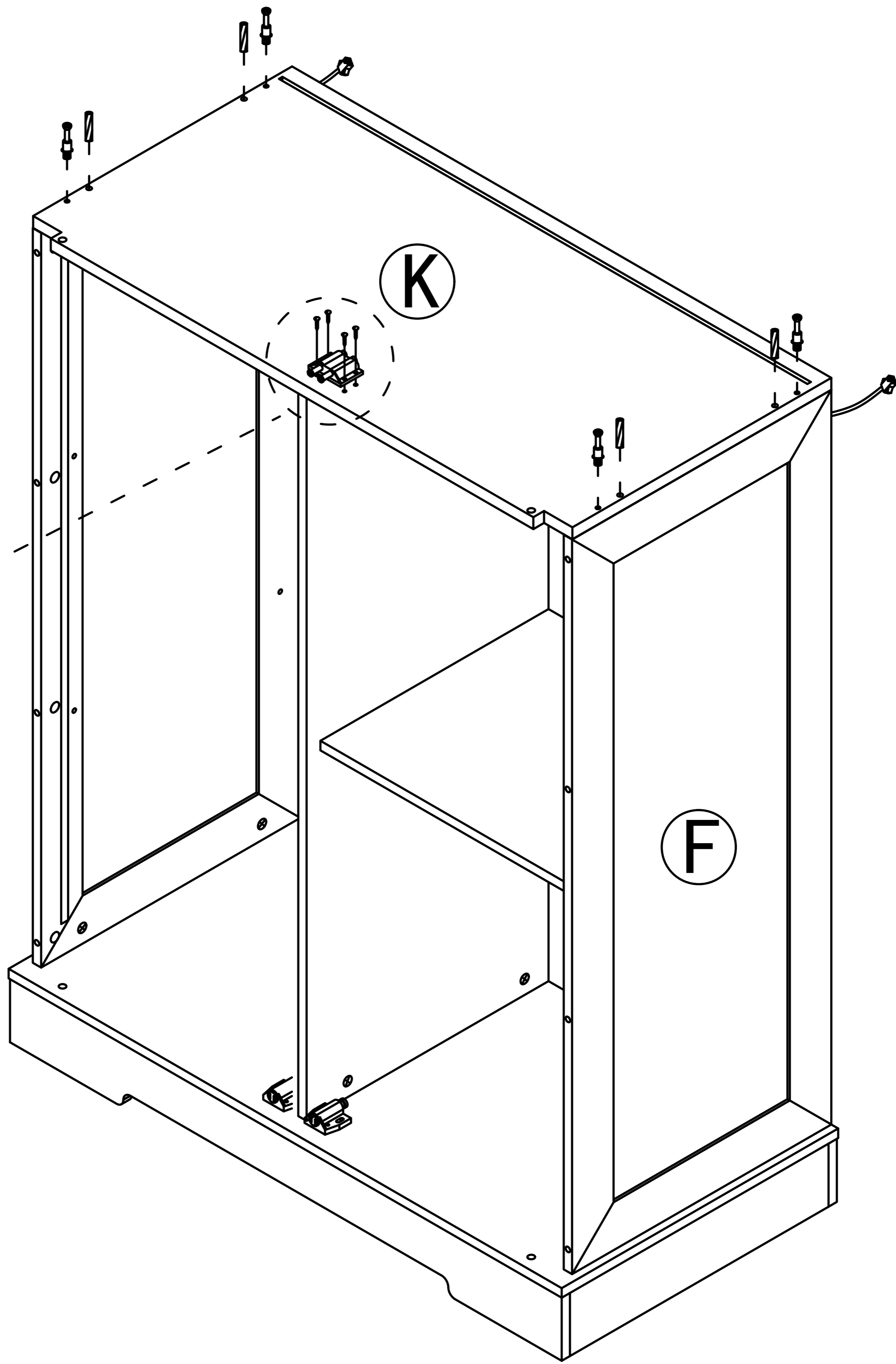
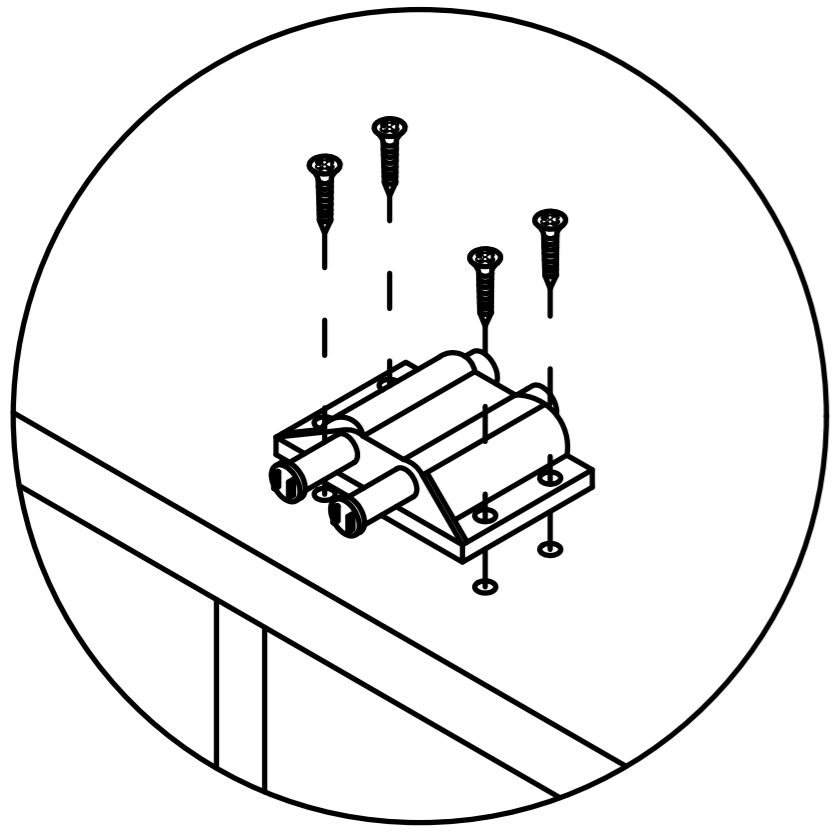
2

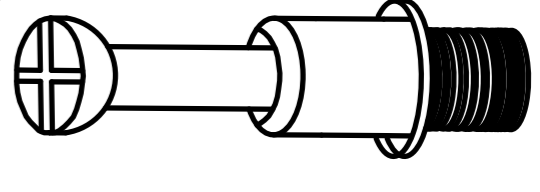

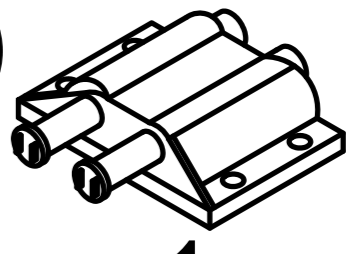
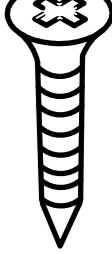


x6

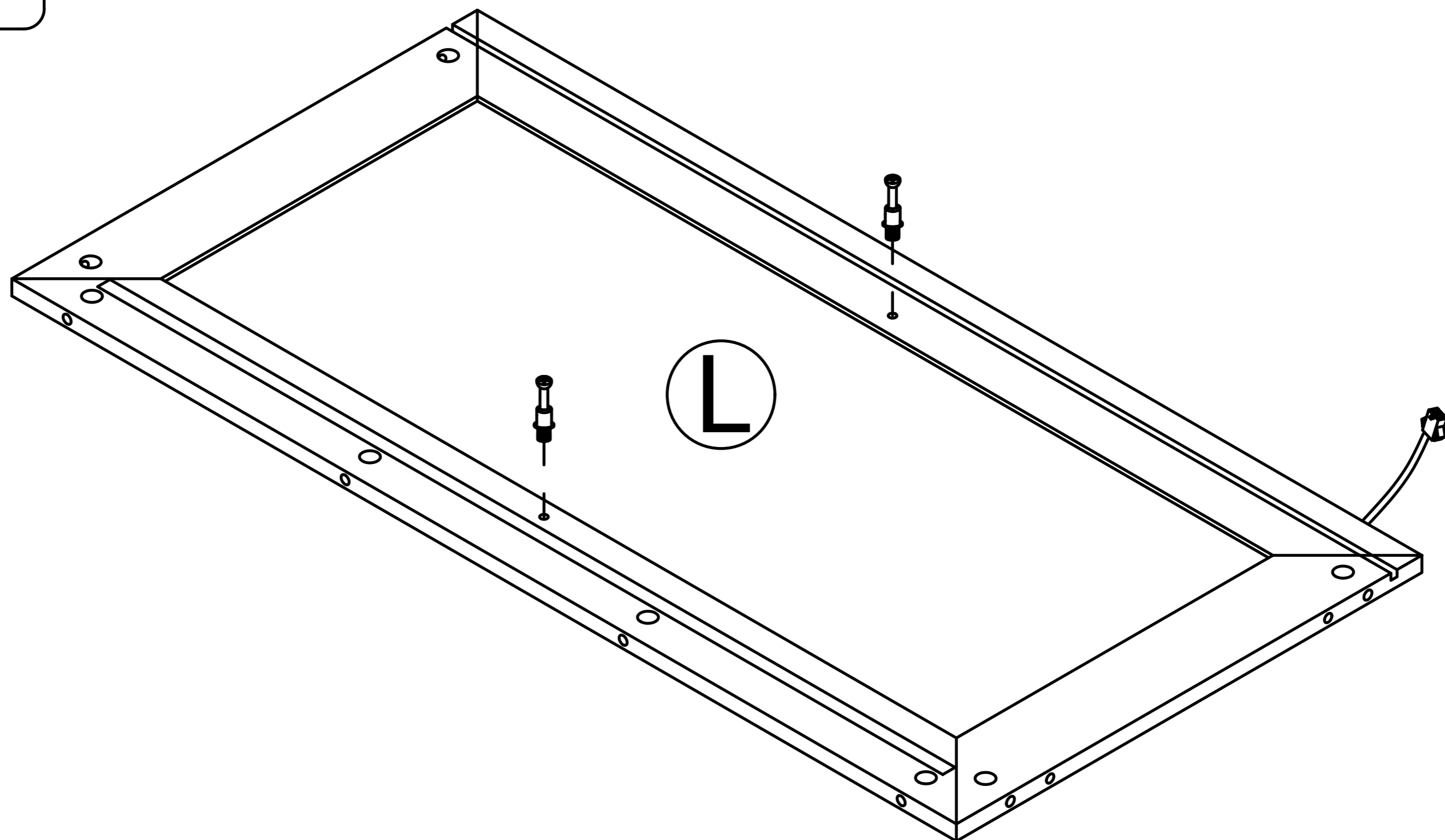


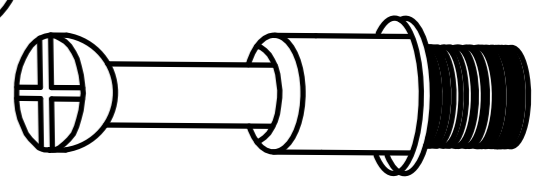
Step 19



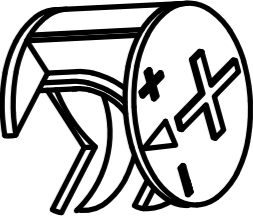
- ①  x4
- ③  x4
- ⑨  x1  x4

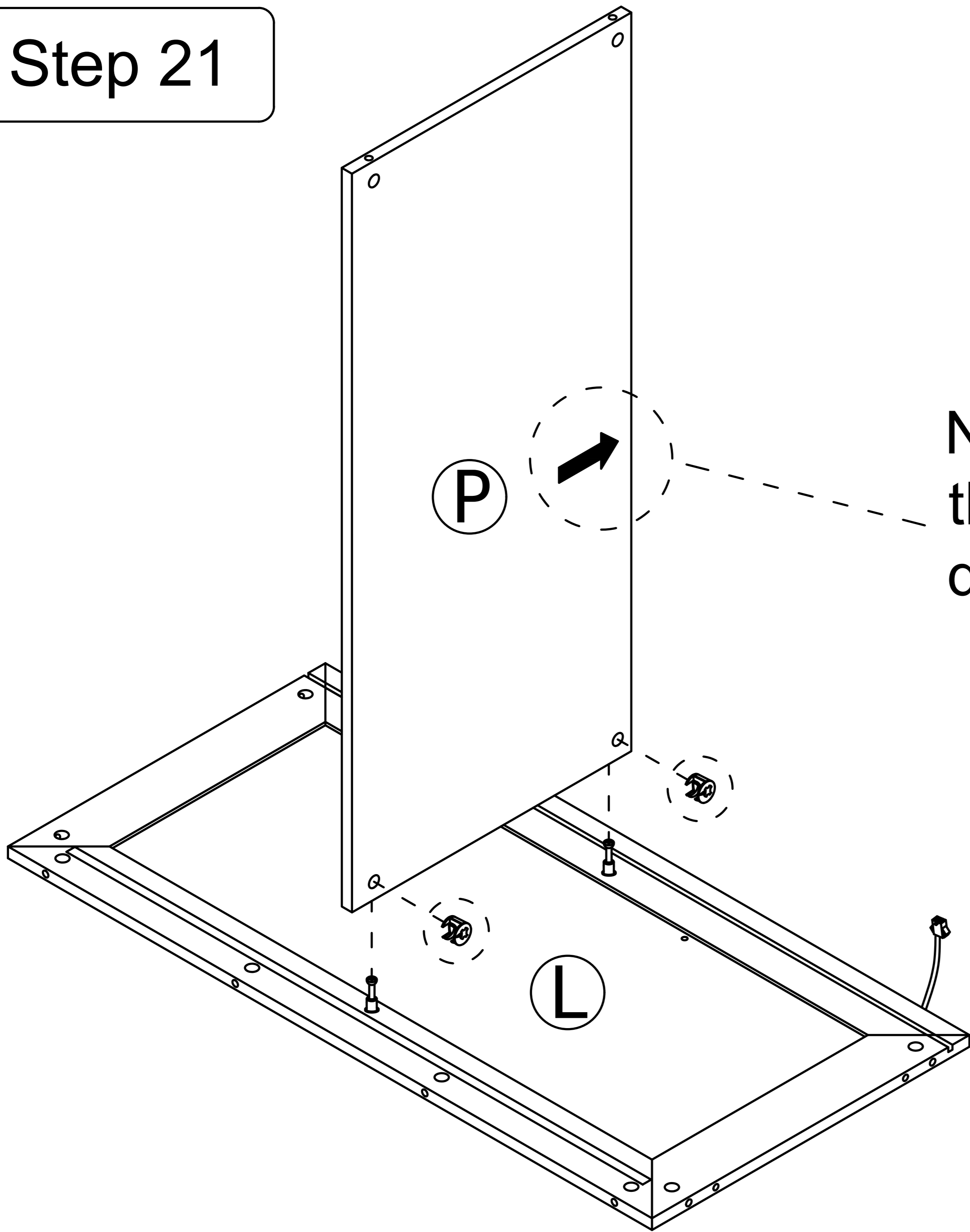
Step 20



- ①  x2

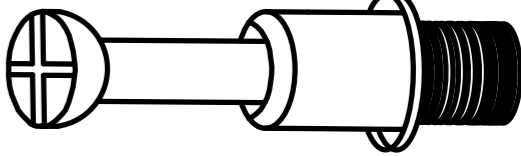
Step 21

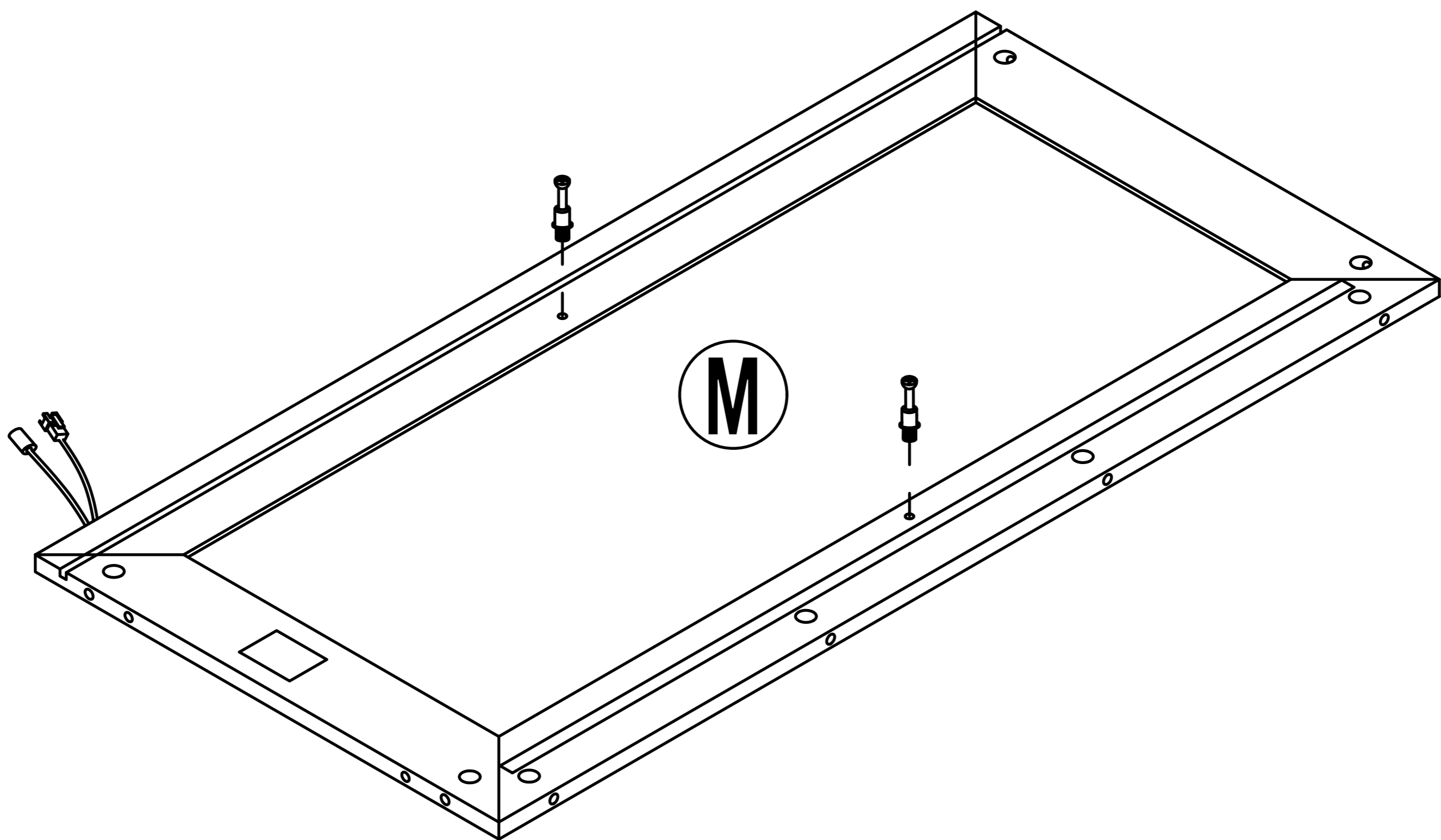
2  x2



Note: Install according to the arrow on the board, don't install it backwards.

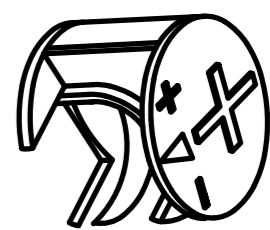
Step 22

1  x2

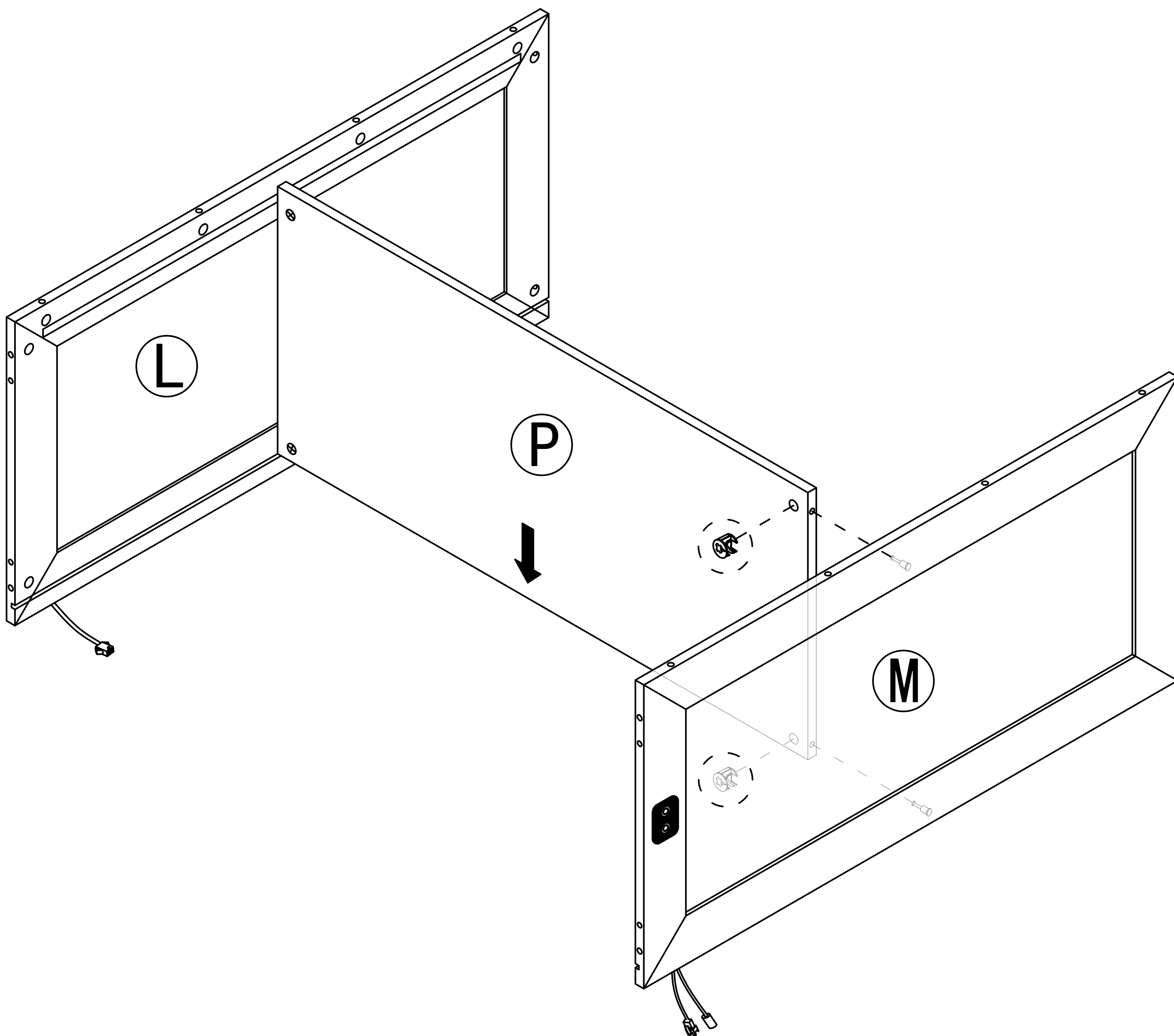


Step 23

2



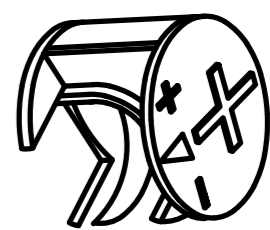
x2



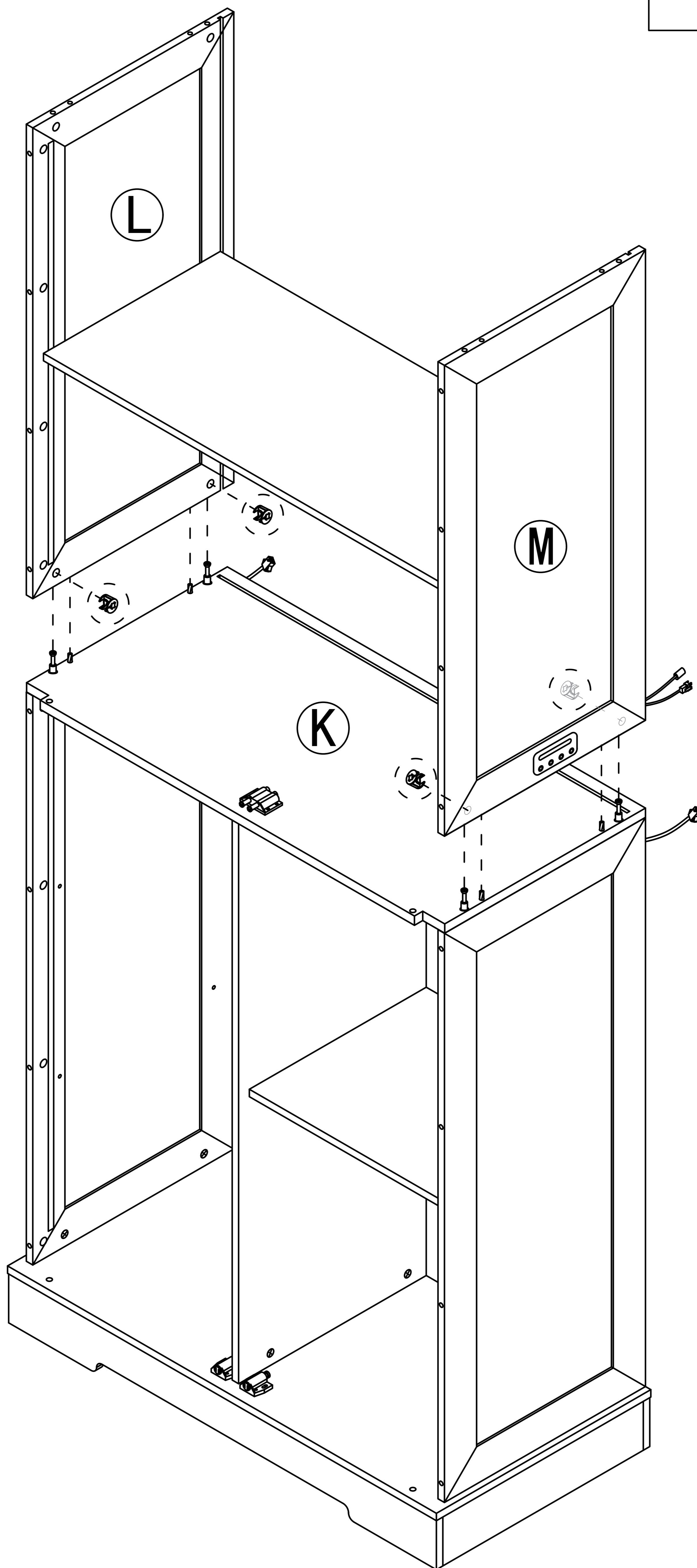
Attention: Don't press the lamp wire.

Step 24

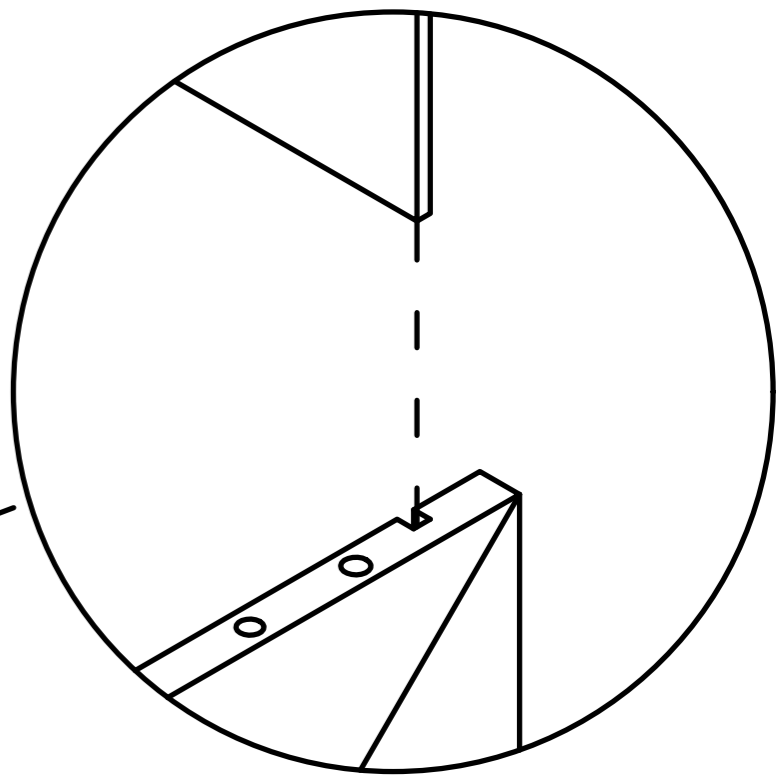
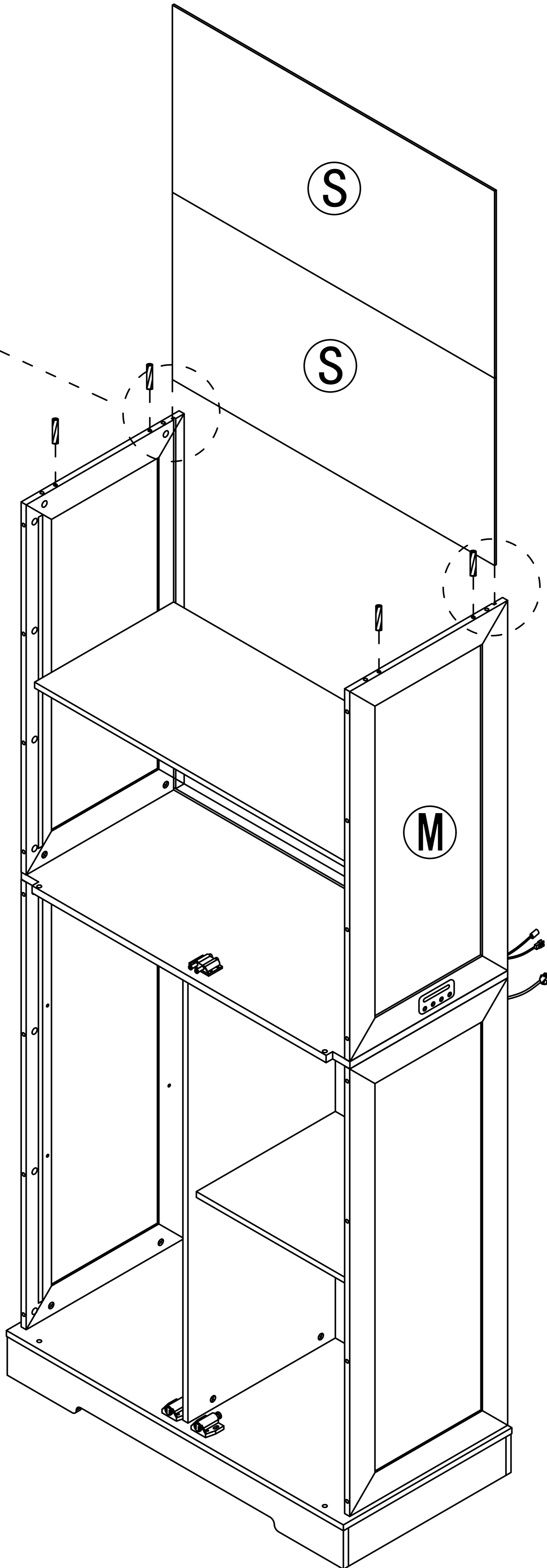
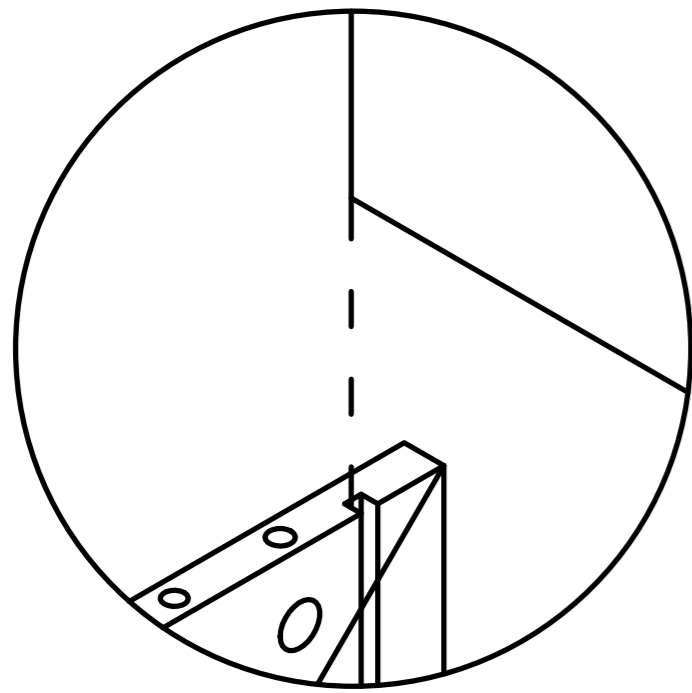
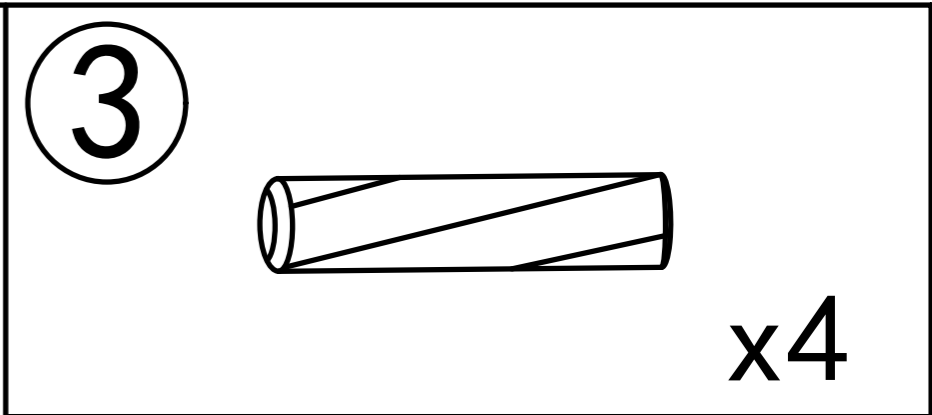
2



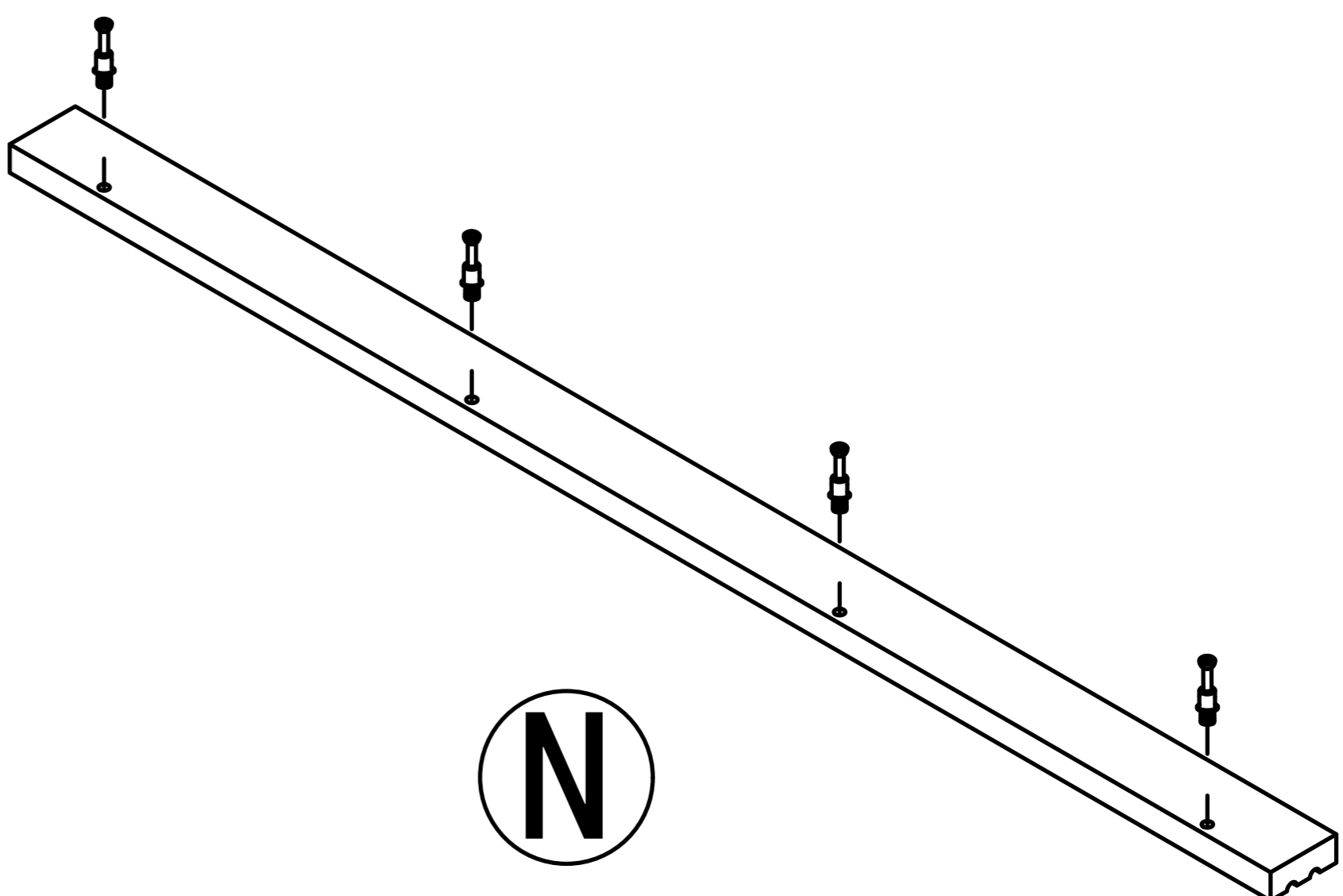
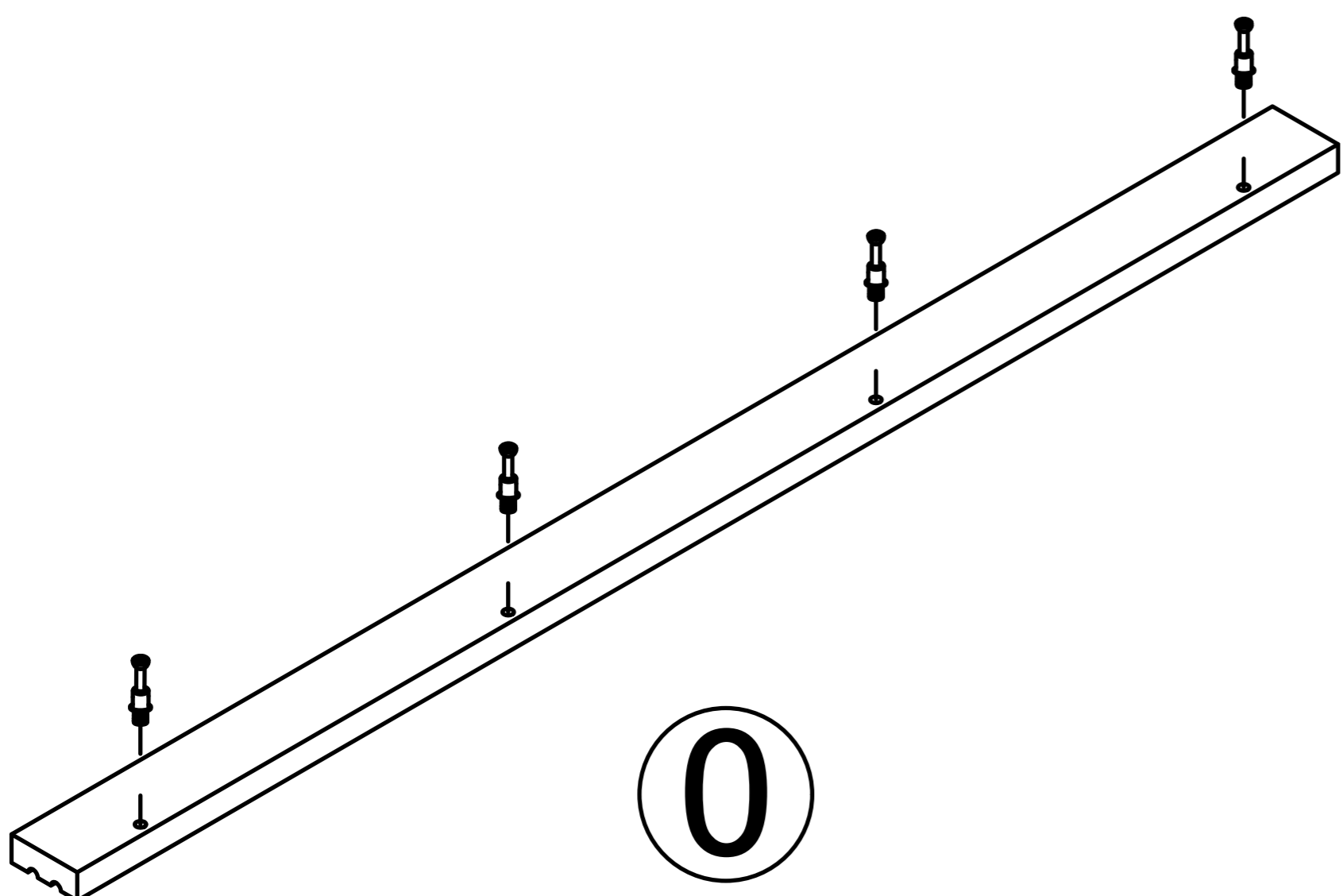
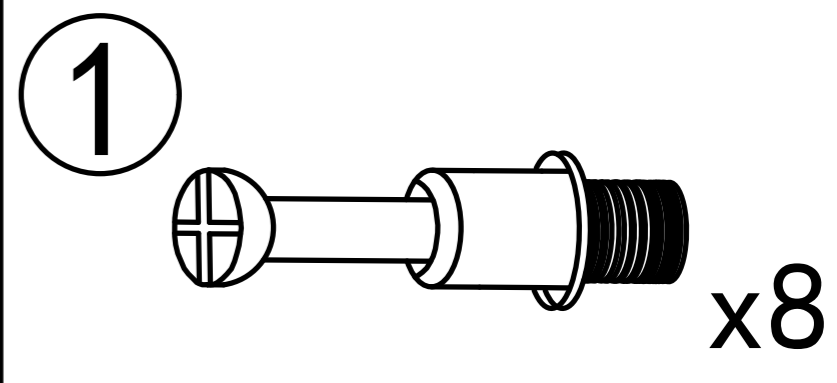
x4



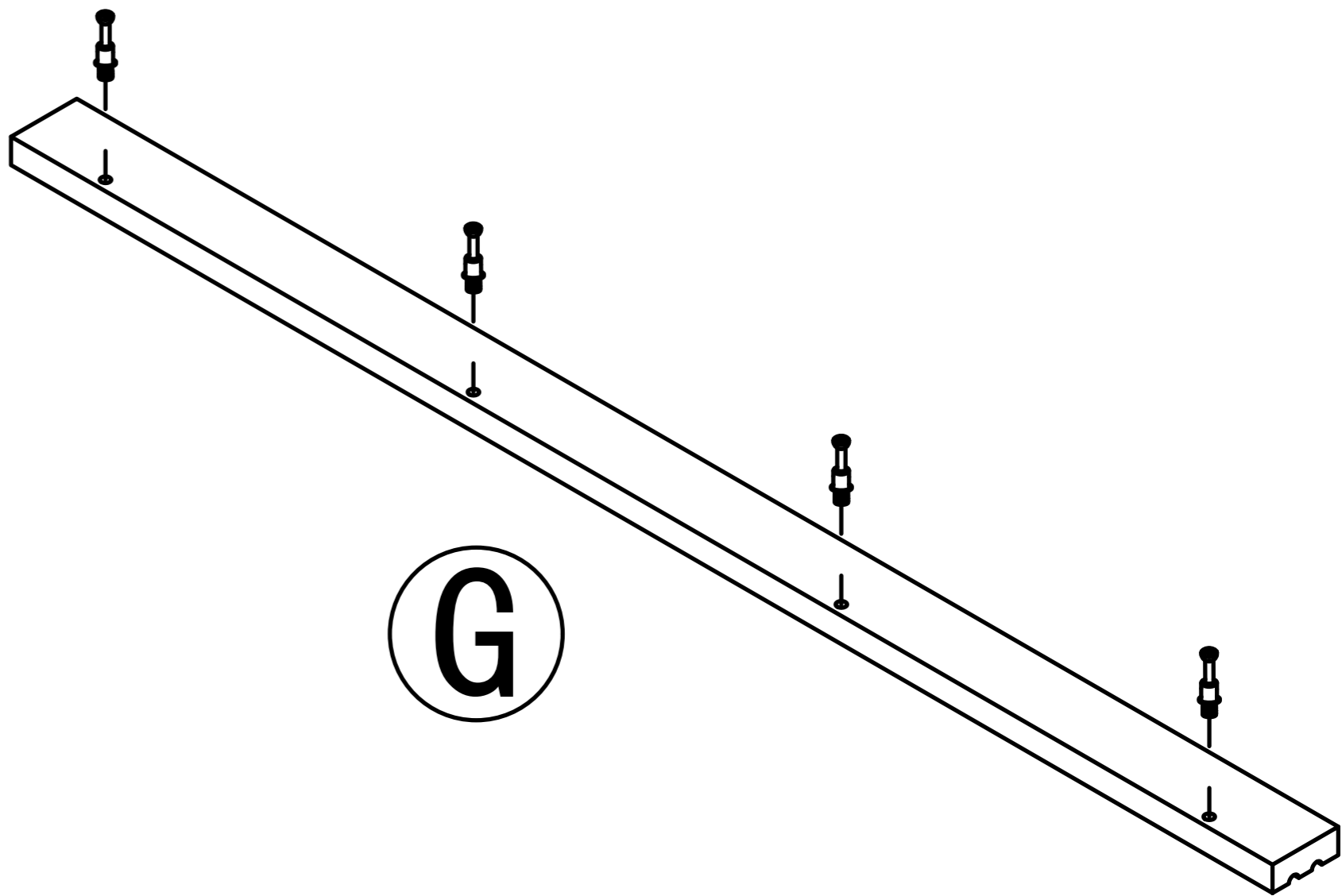
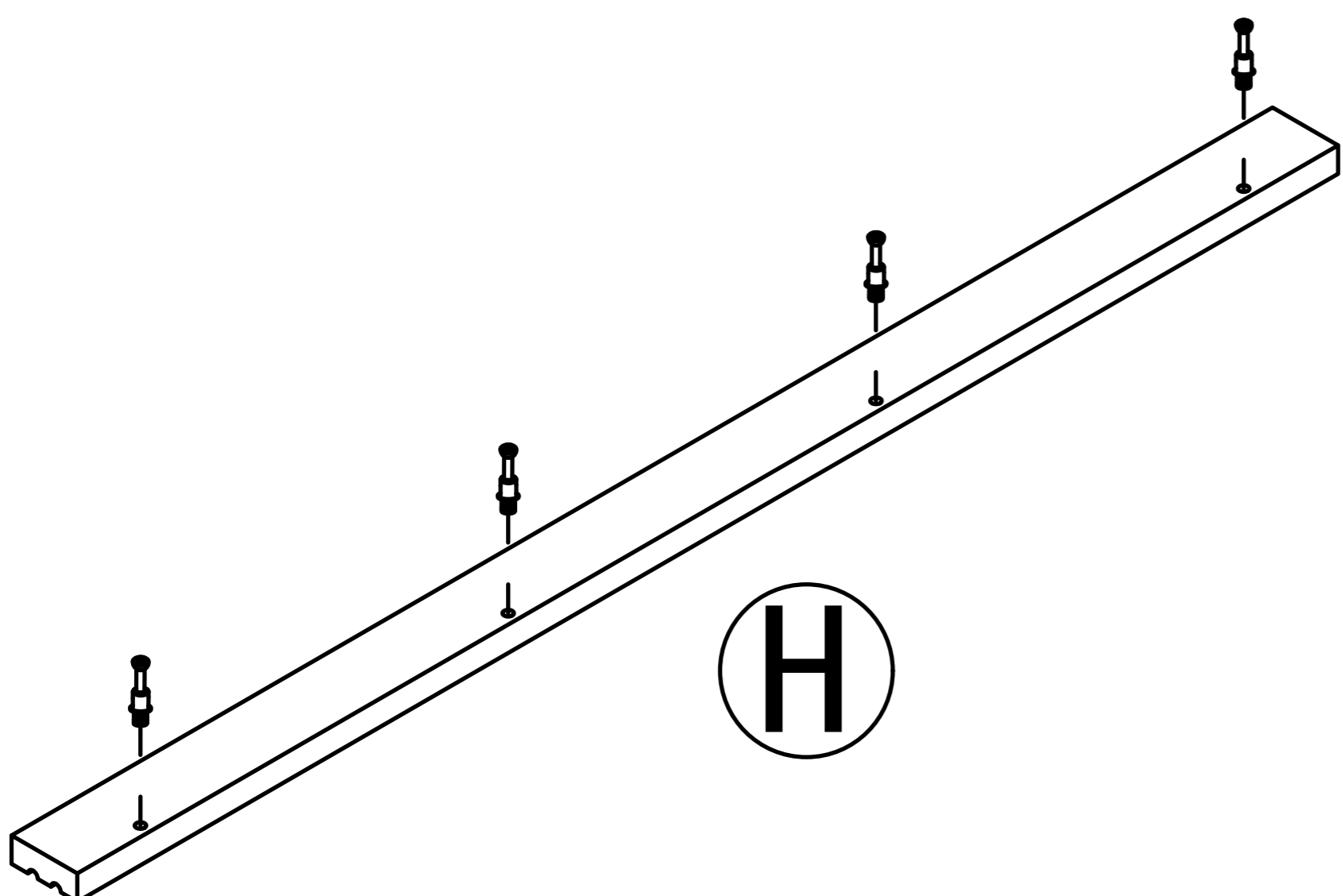
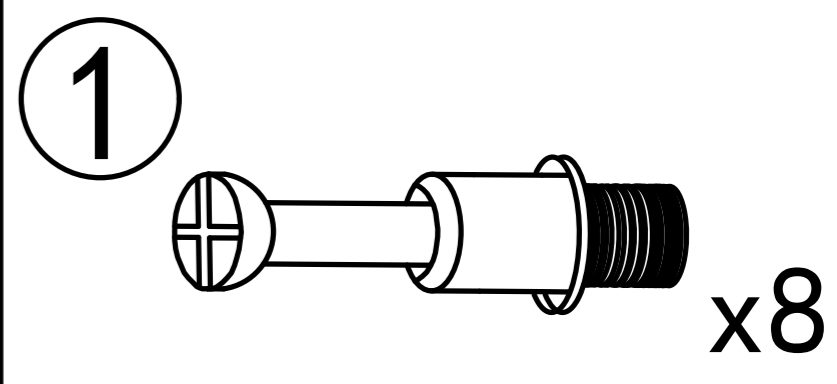
Step 25



Step 26

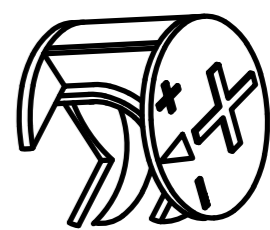


Step 27

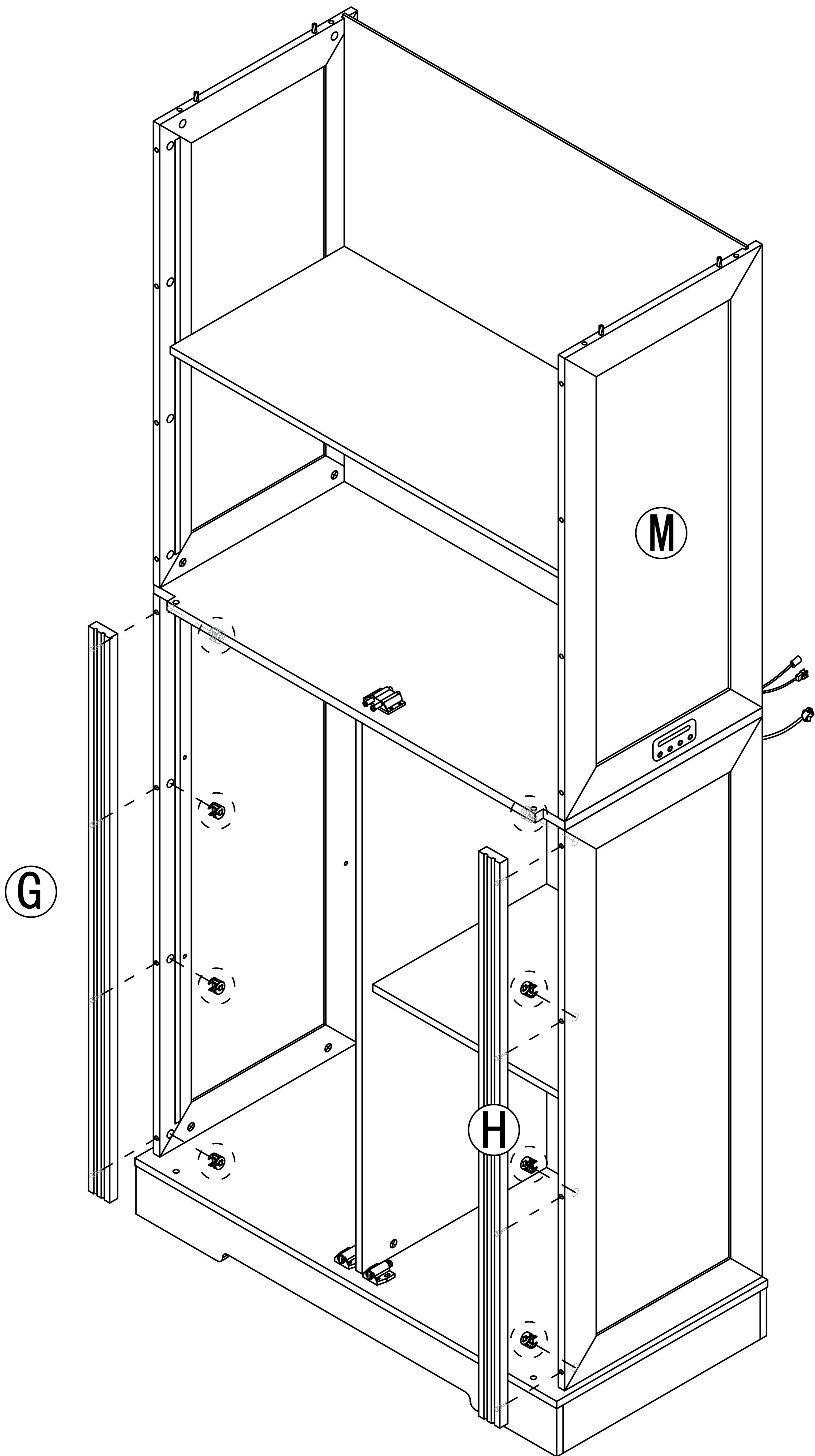


Step 28

2

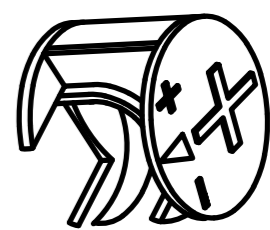


x8

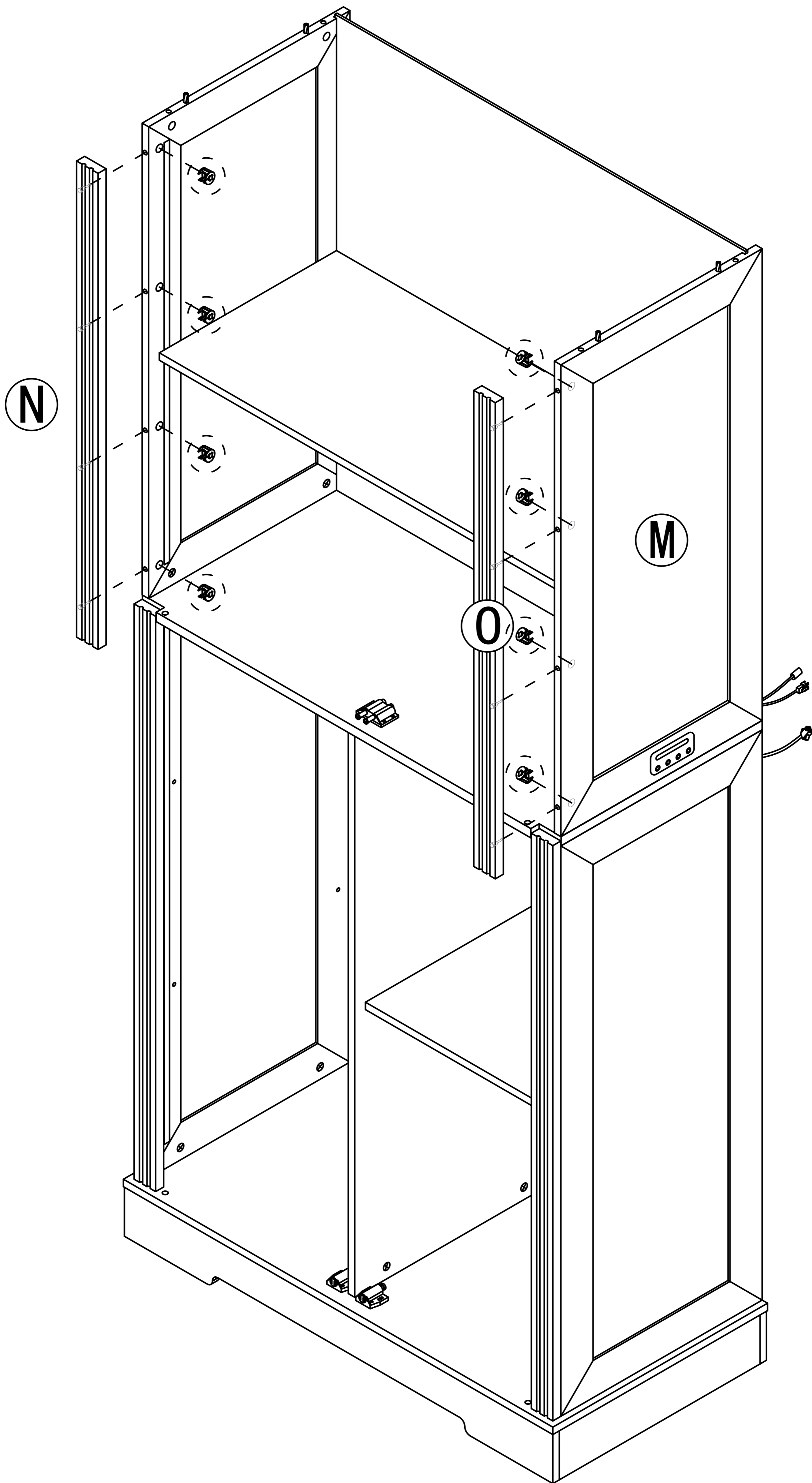


Step 29

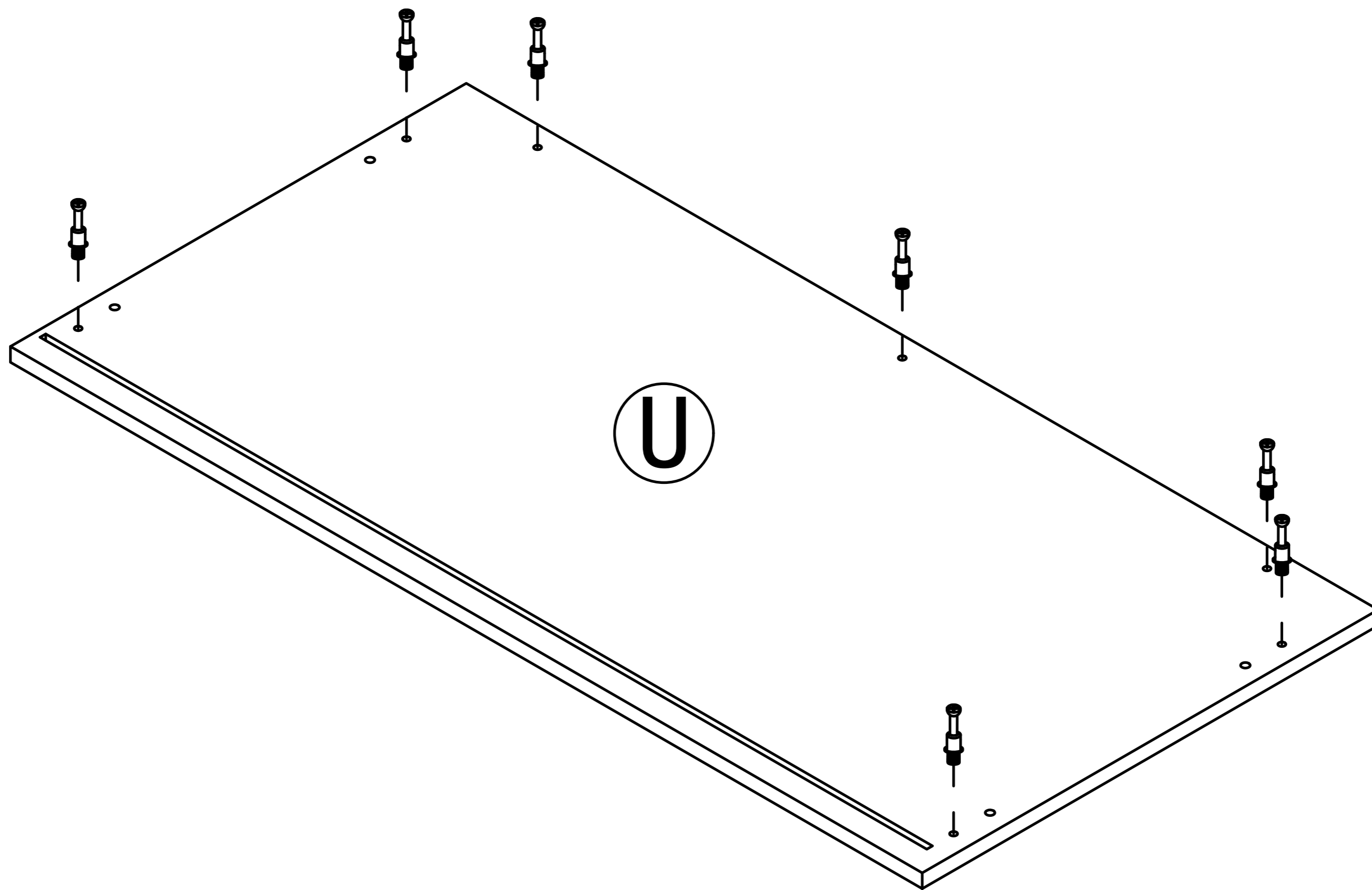
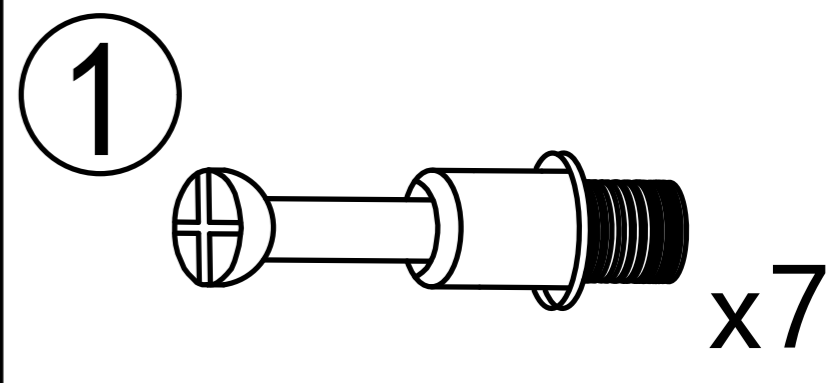
2



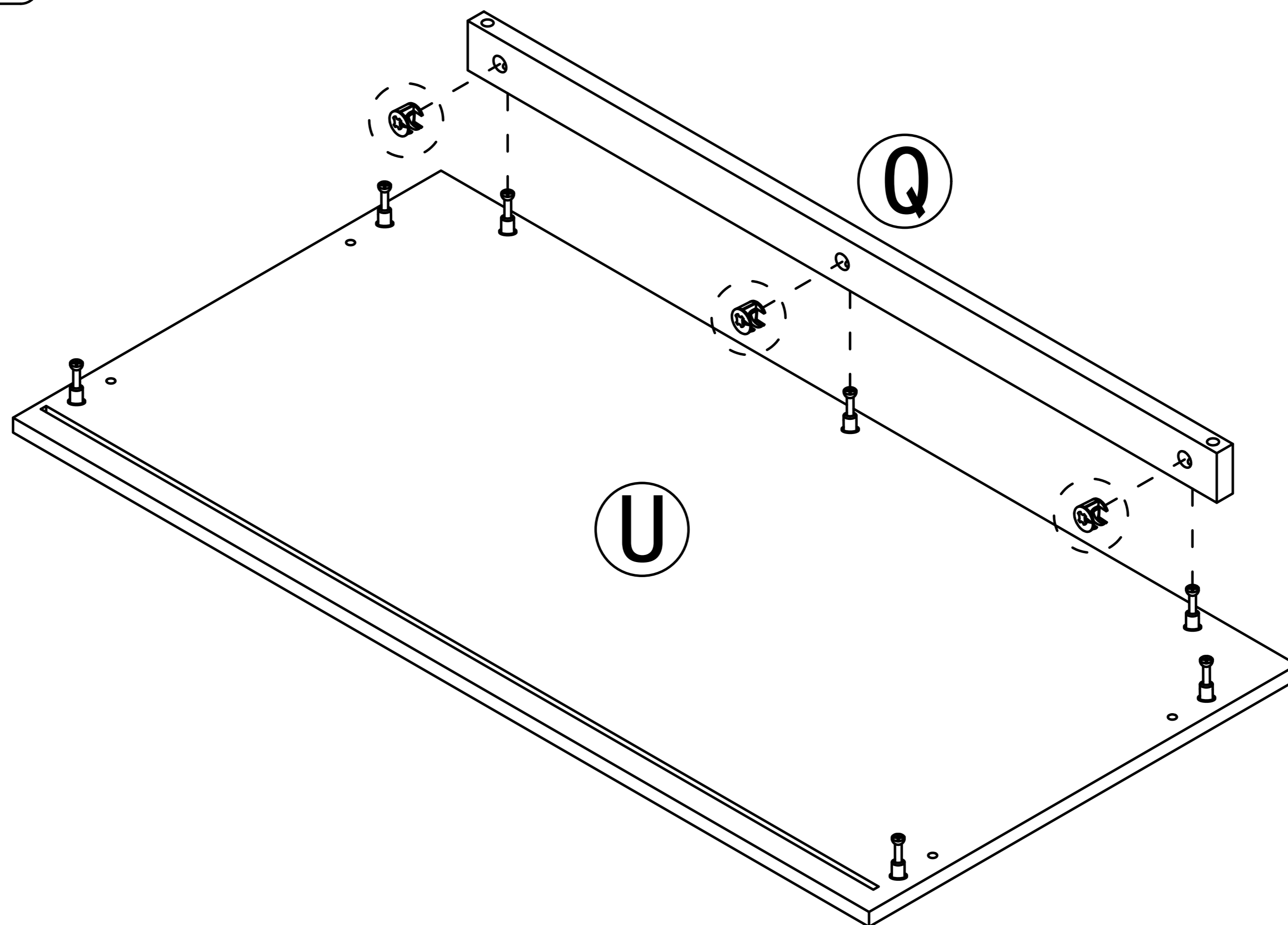
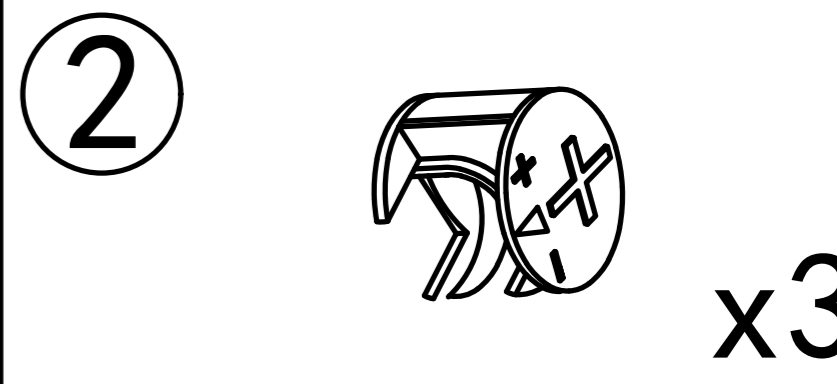
x8



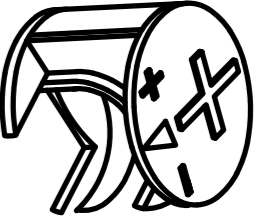
Step 30

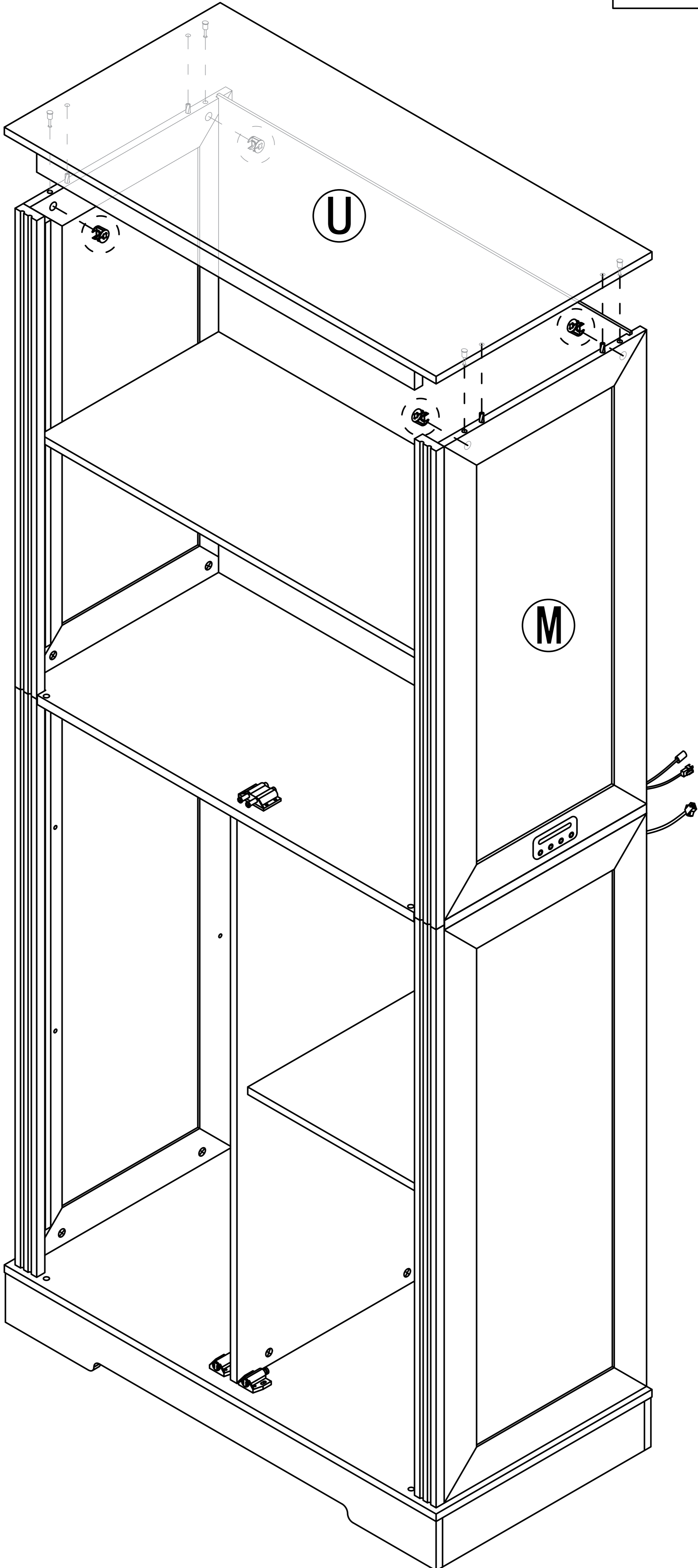


Step 31



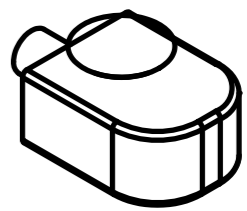
Step 32

2  x4

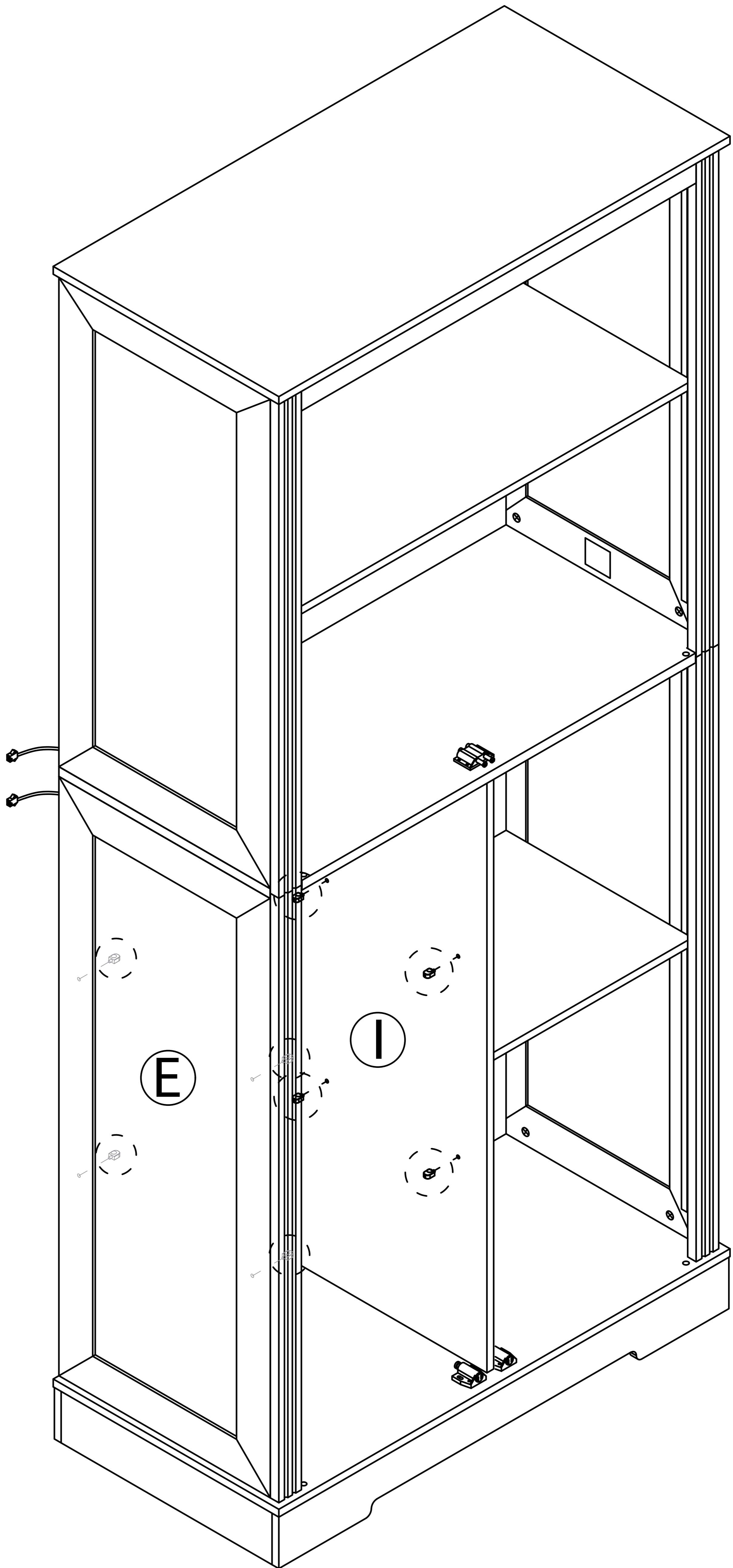
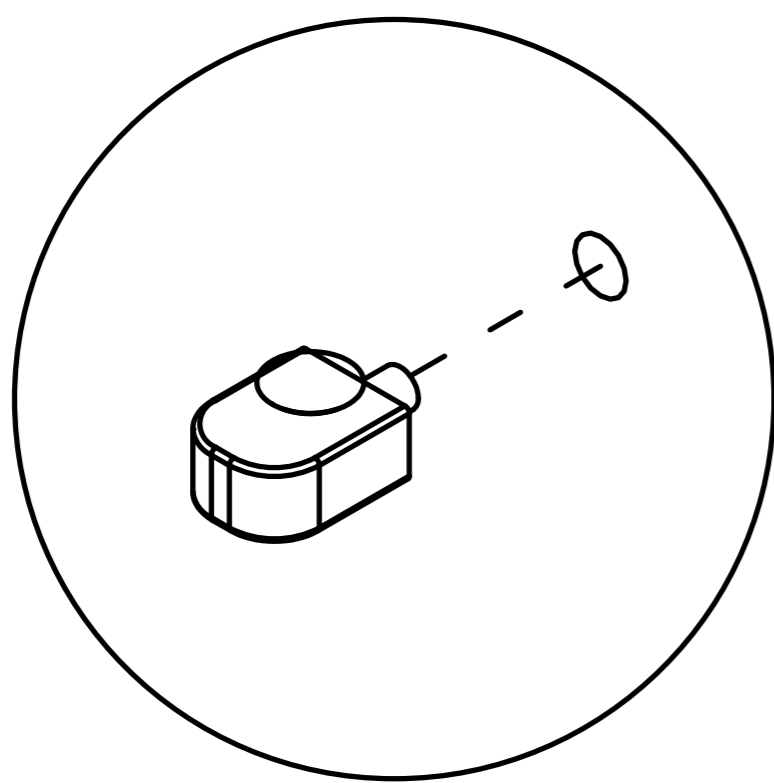


Step 33

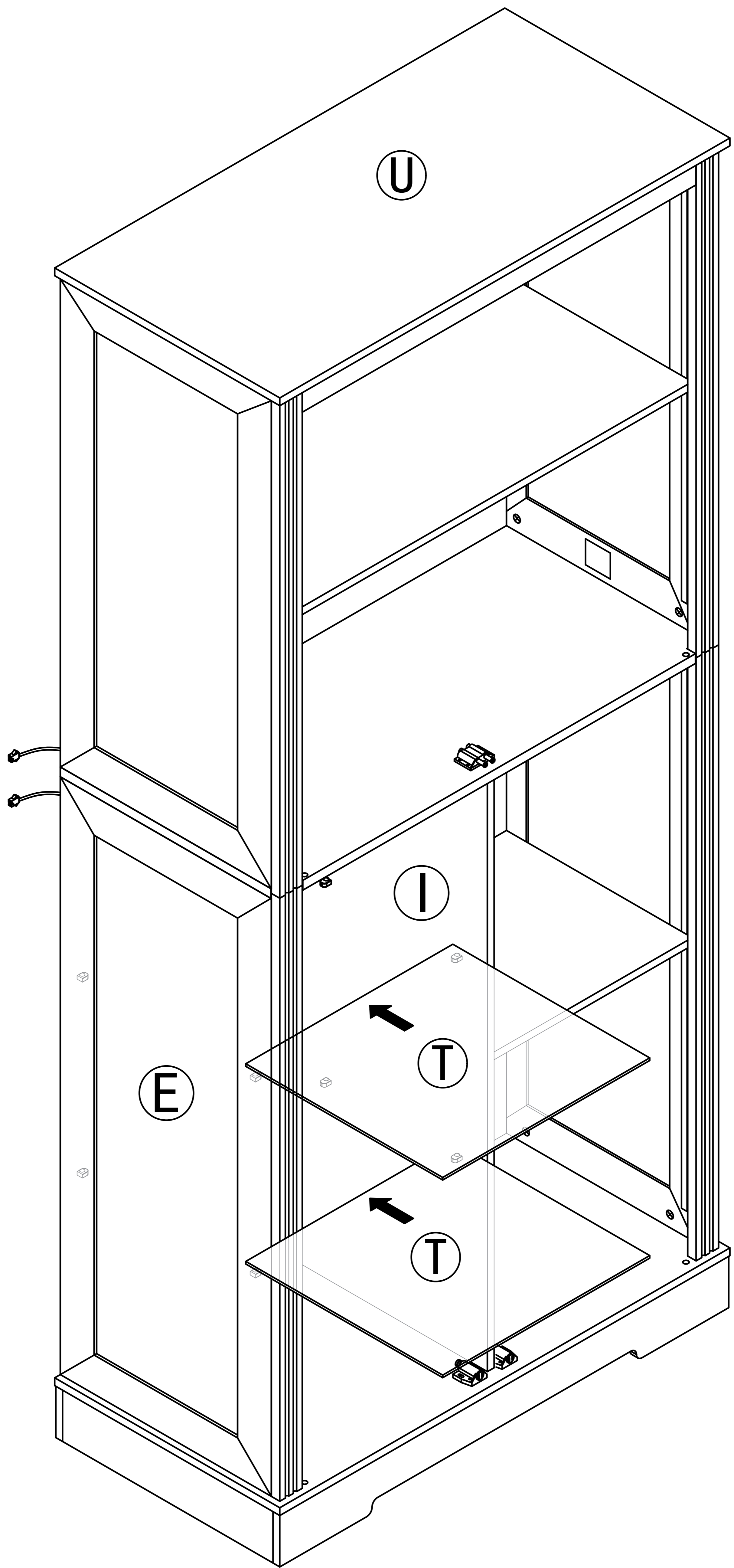
10



x8

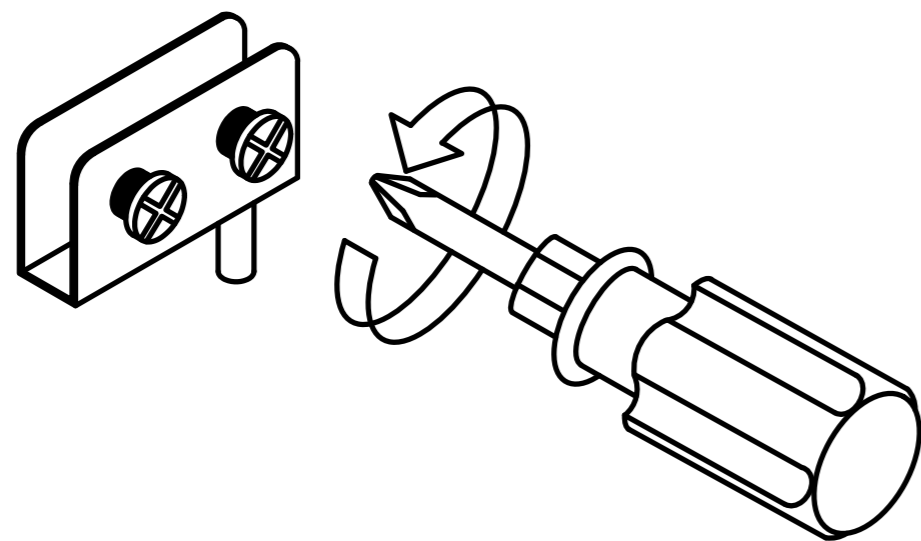


Step 34

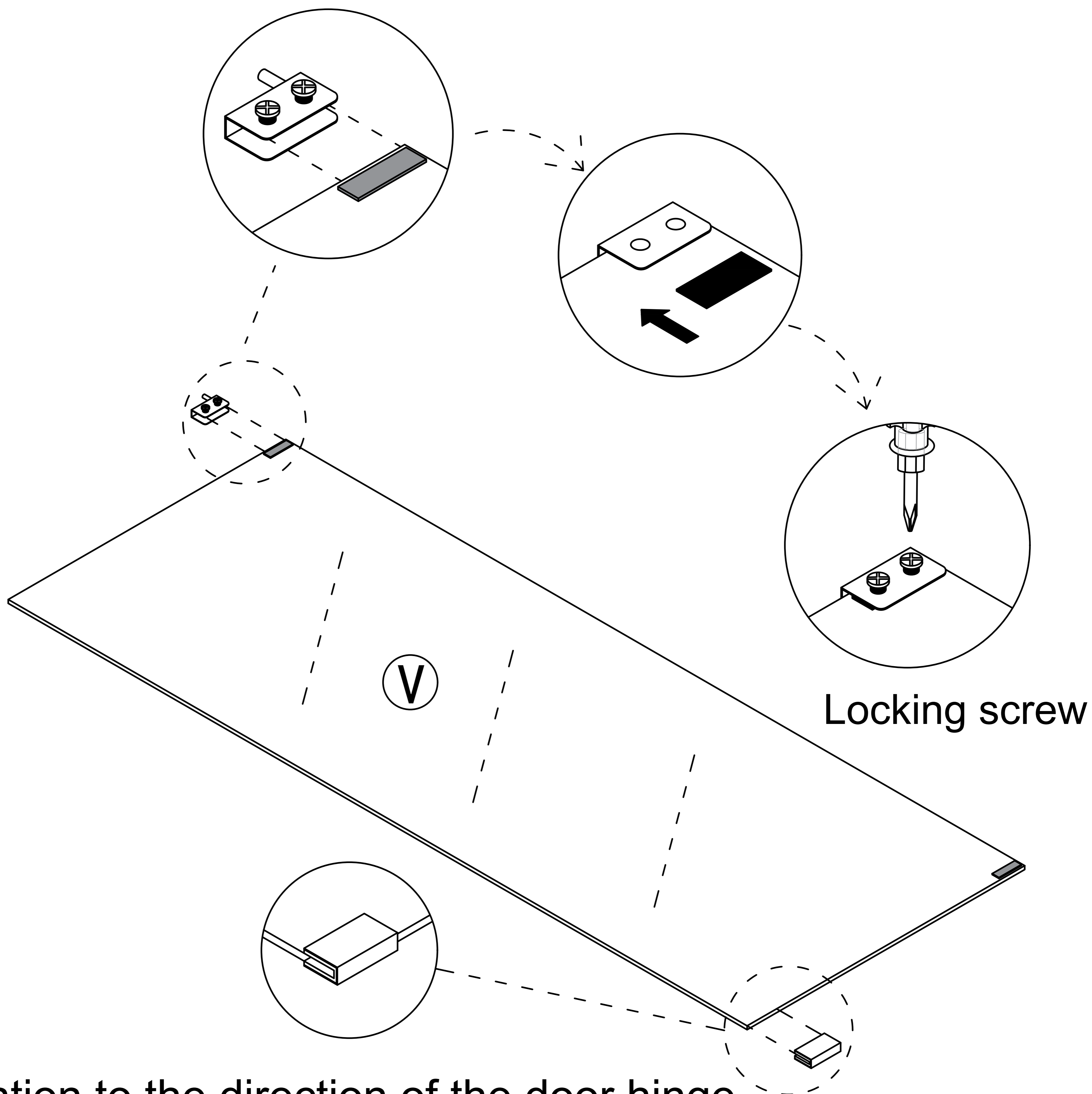
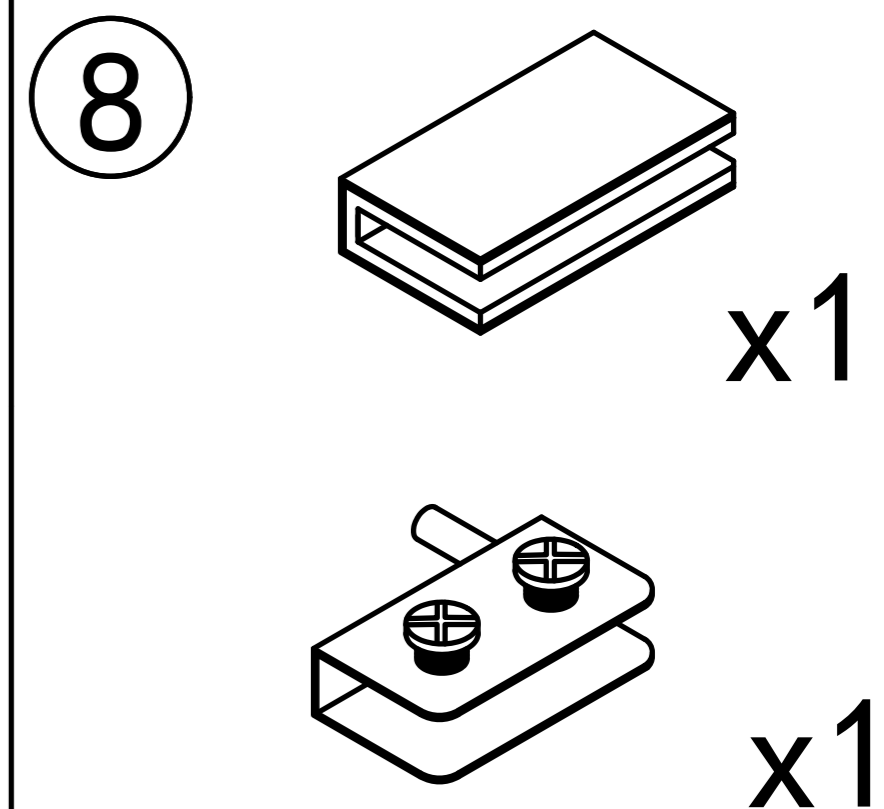
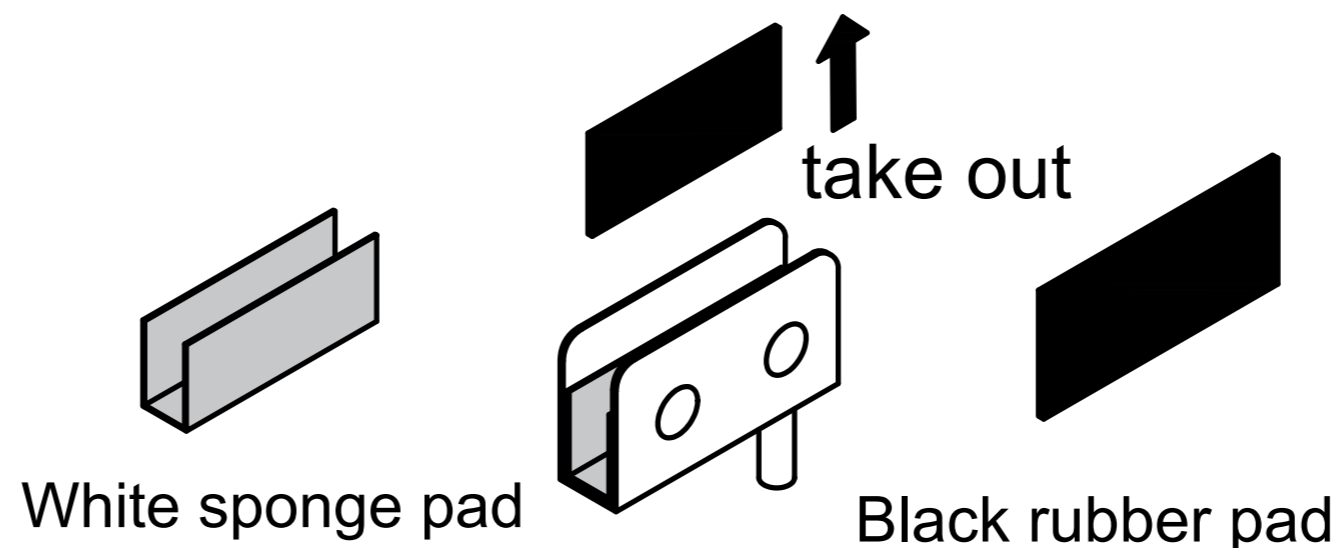


Step 35

First, completely unscrew the screws on the parts



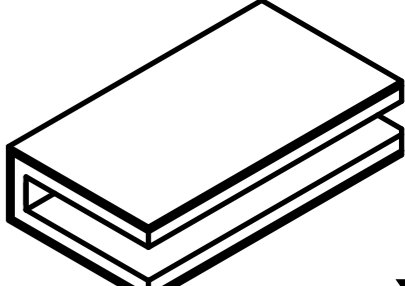
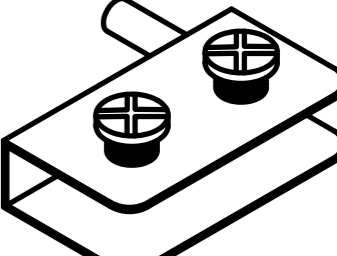
Then take out the black rubber pad from the inside of the part, and the white sponge remains unchanged inside the part.

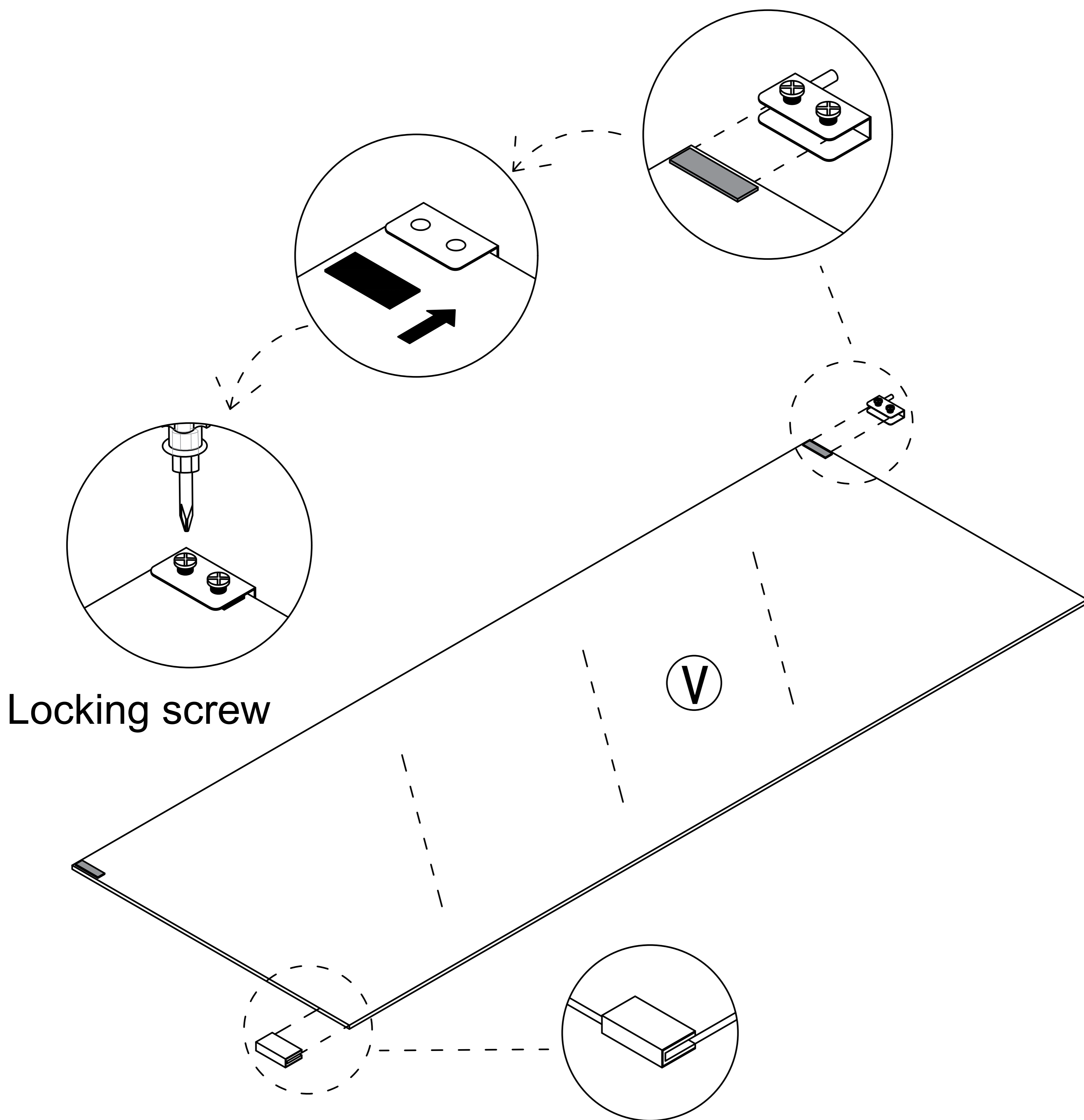


Pay attention to the direction of the door hinge, rotate the screws to compress the black gasket, and do not place it in the opposite direction

Place the black gasket on the side where the screws are installed

Step 36

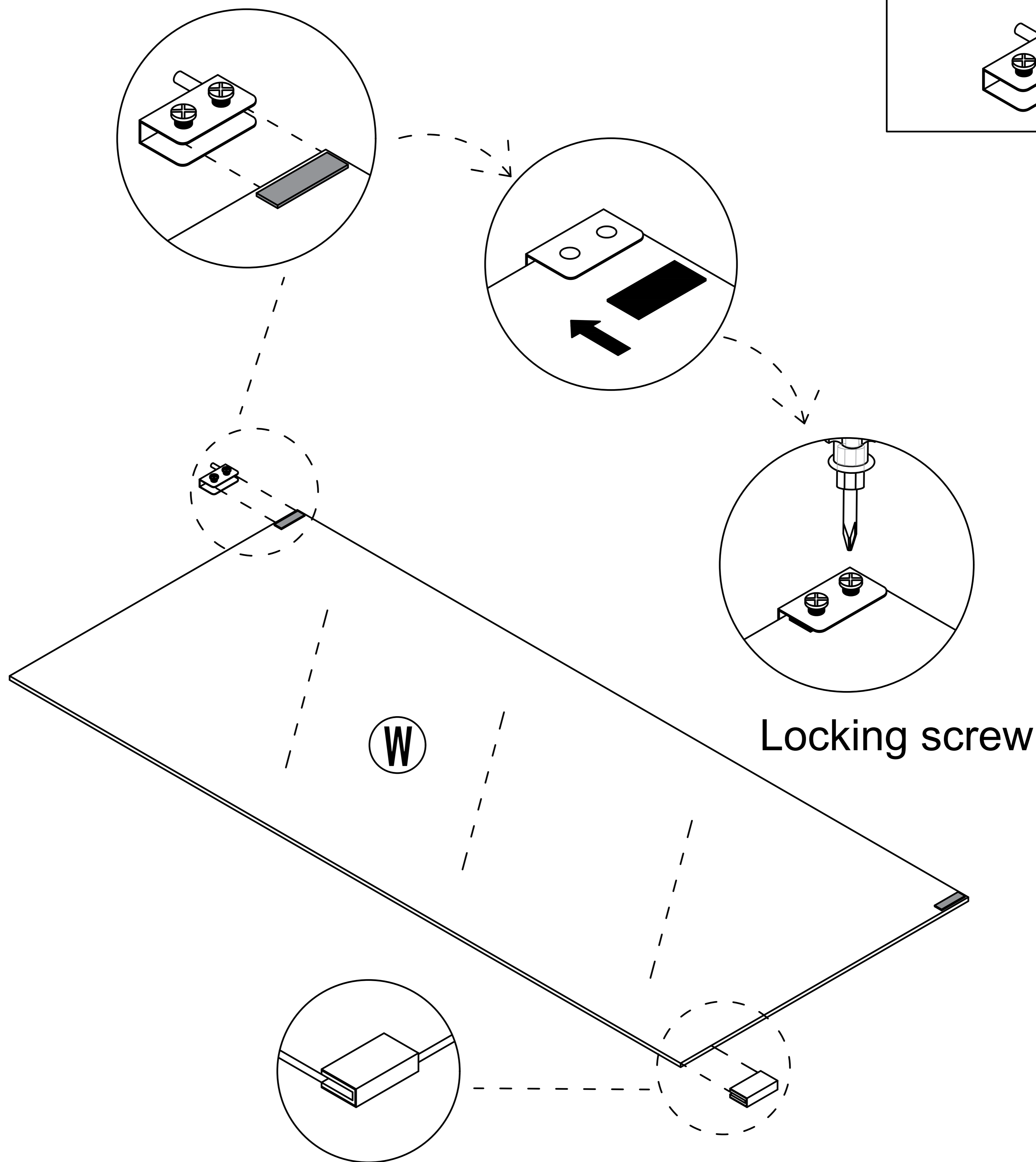
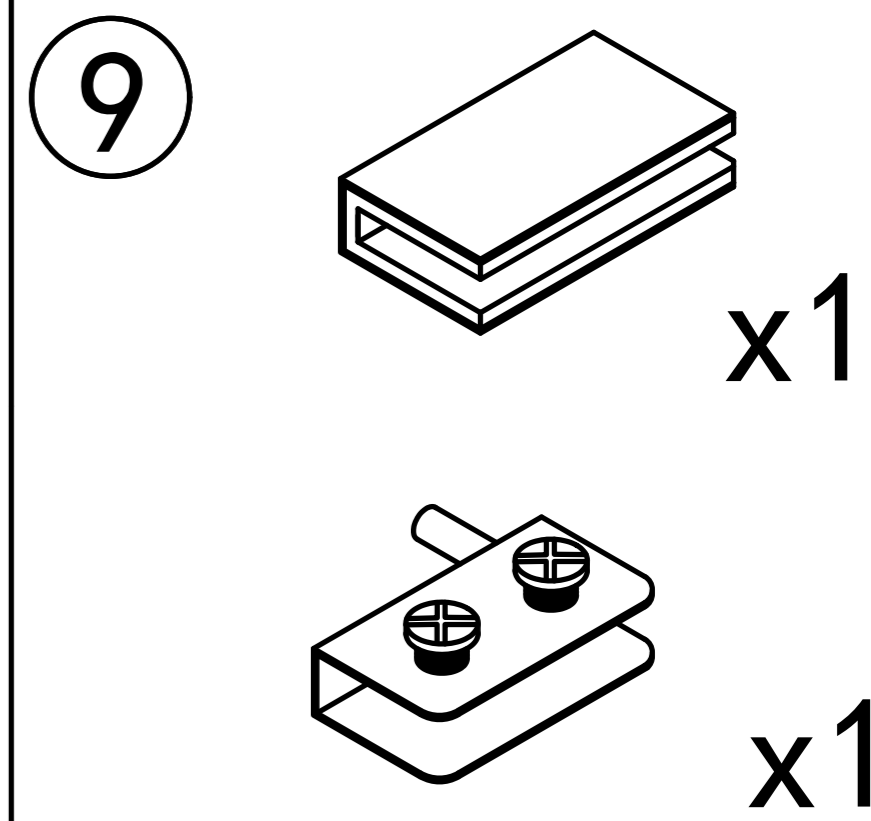
- 8  x1
-  x1



Pay attention to the direction of the door hinge, rotate the screws to compress the black gasket, and do not place it in the opposite direction

Place the black gasket on the side where the screws are installed

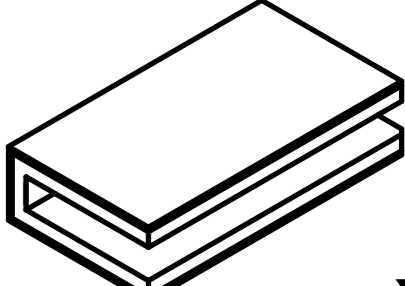
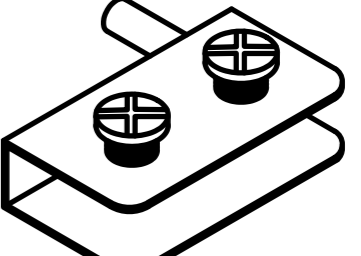
Step 37

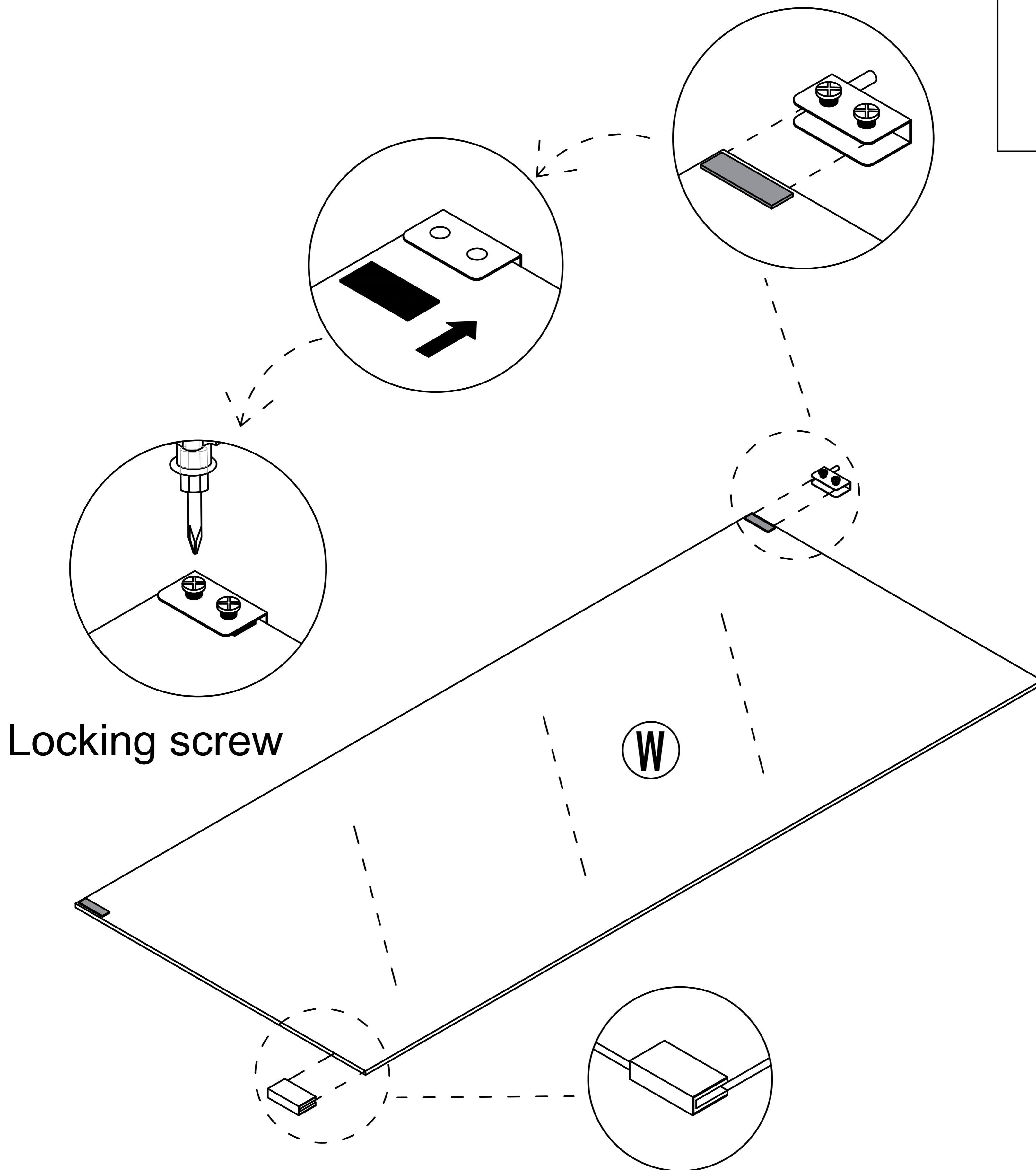


Pay attention to the direction of the door hinge, rotate the screws to compress the black gasket, and do not place it in the opposite direction

Place the black gasket on the side where the screws are installed

Step 38

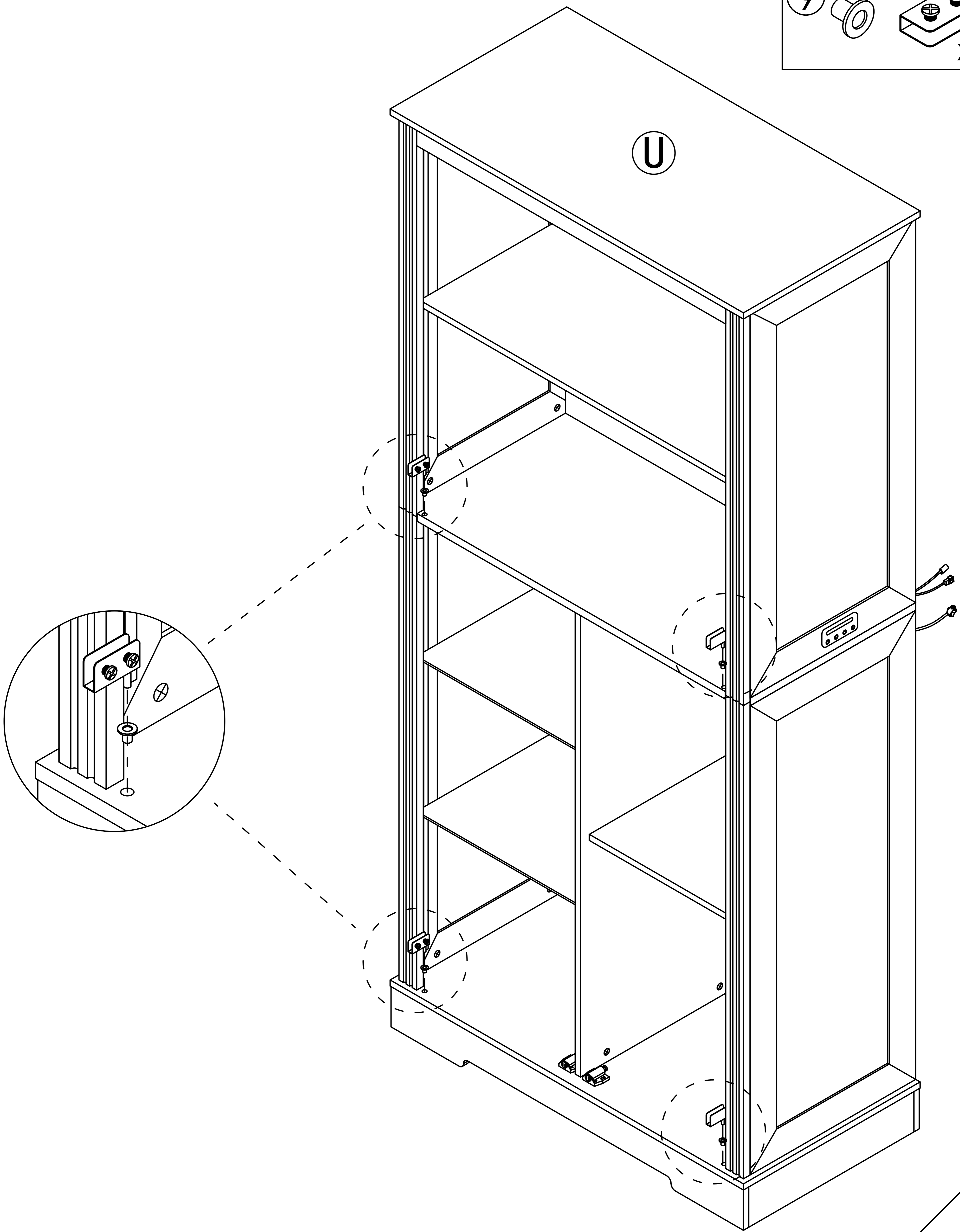
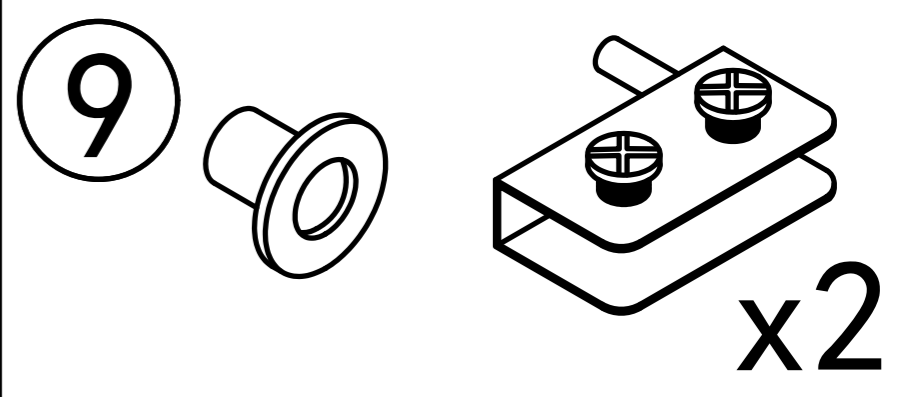
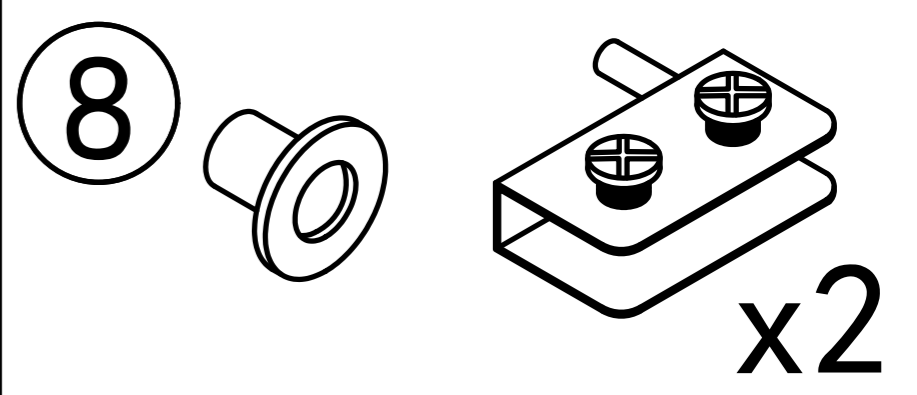
- 9  x1
-  x1



Pay attention to the direction of the door hinge, rotate the screws to compress the black gasket, and do not place it in the opposite direction


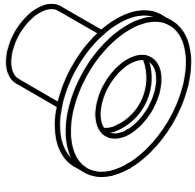
Place the black gasket on the side where the screws are installed

Step 39

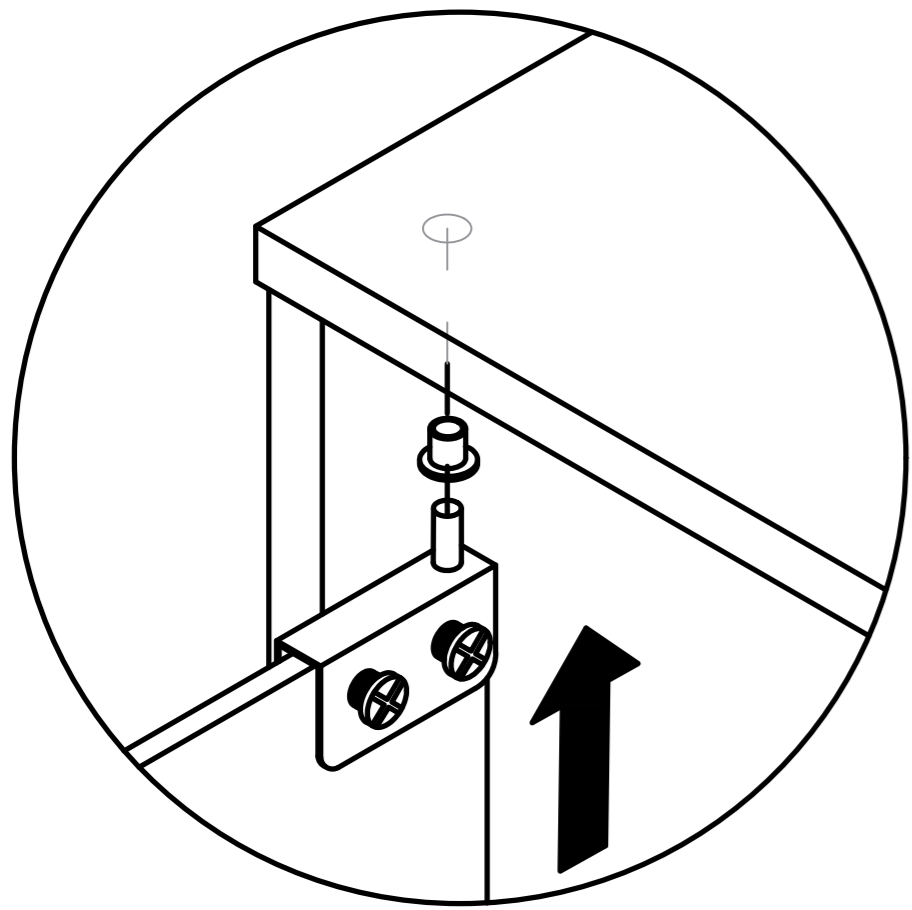


Step 40

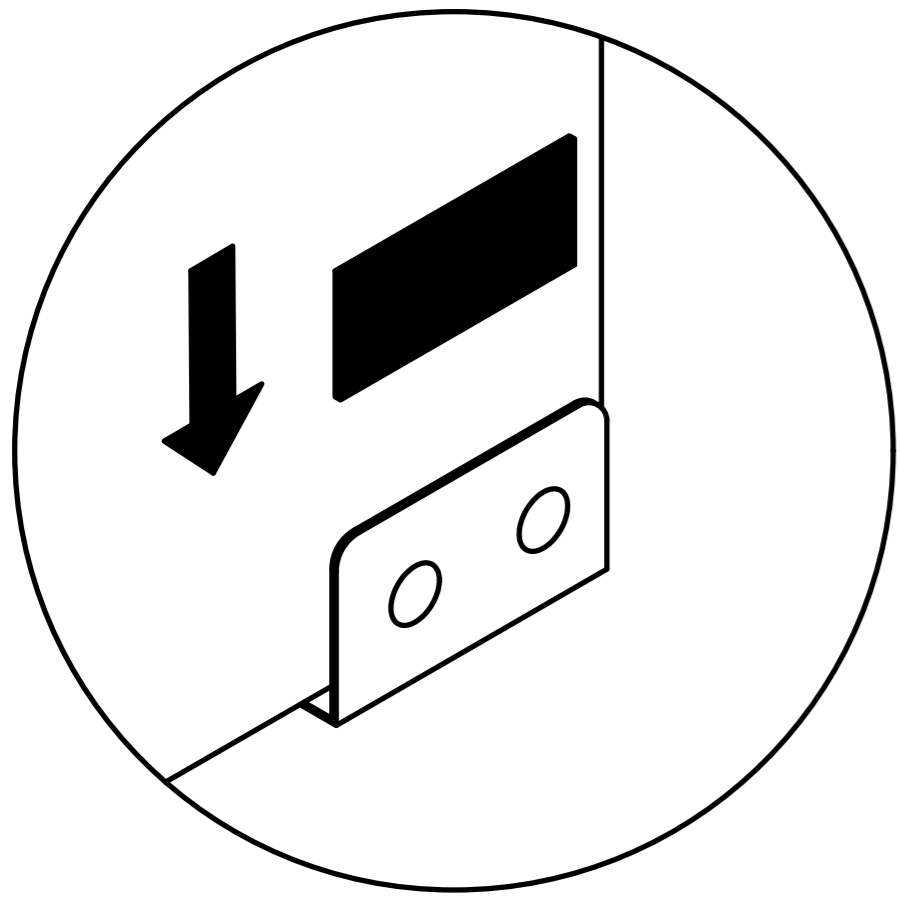
Pay attention to the direction of the door hinge during installation

8		x1
9		x1

When installing a glass door, it is recommended to have two people install it to avoid the glass door colliding or hitting oneself.

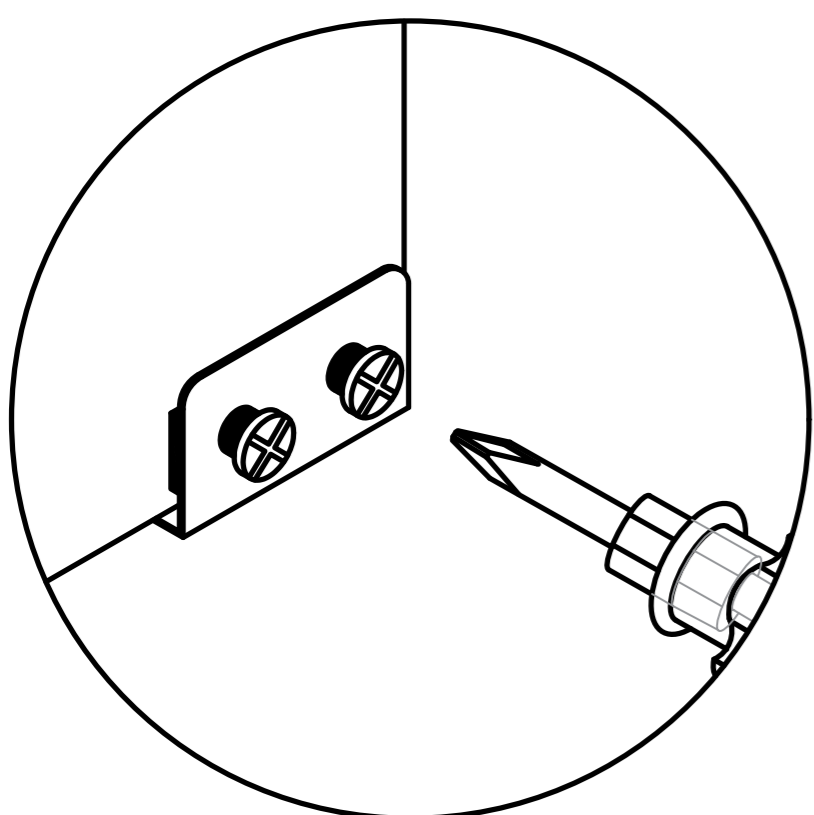


first



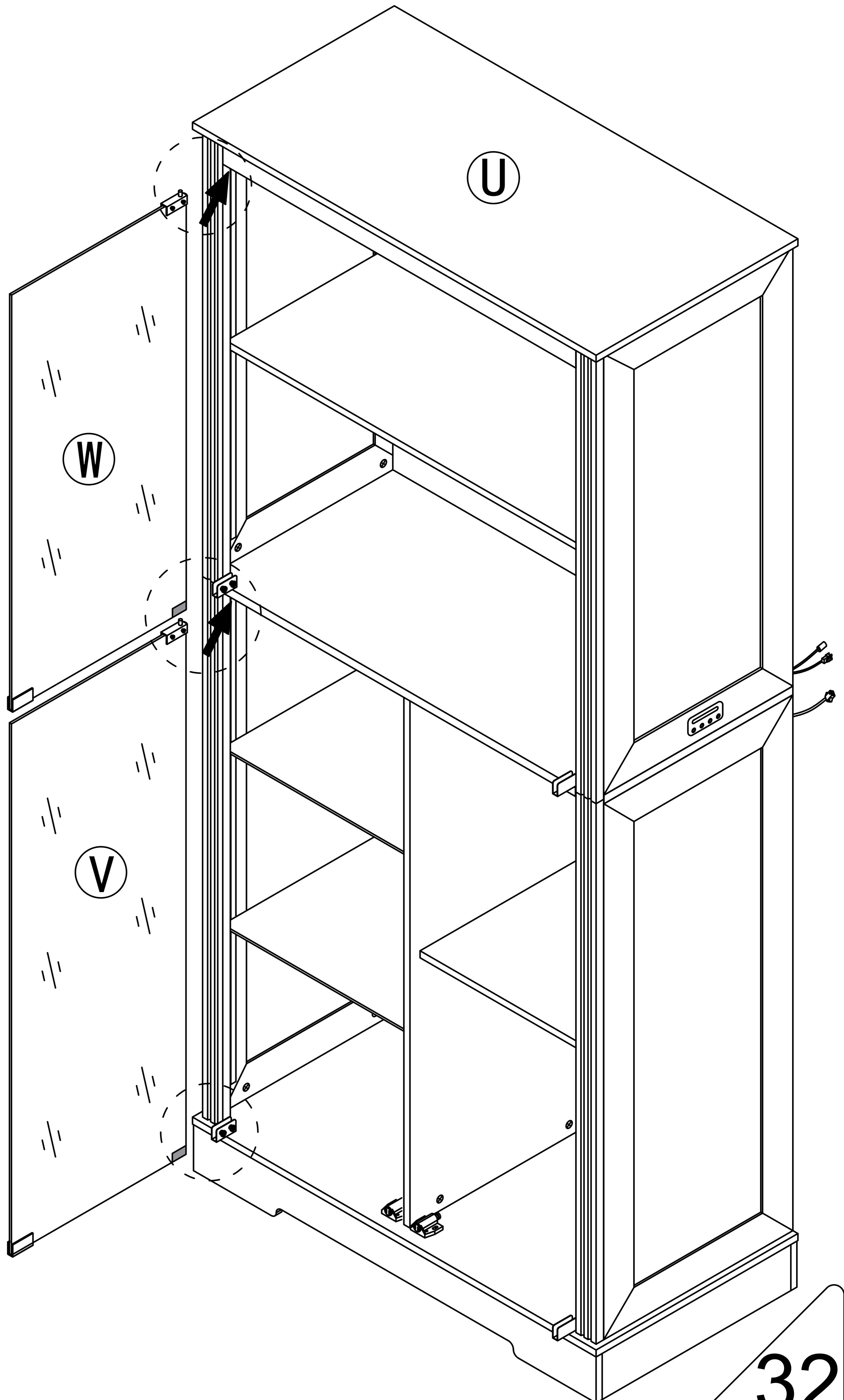
second

After installing the glass door, place the black gasket on the side where the screws are installed

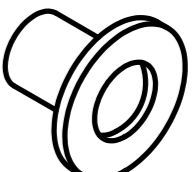
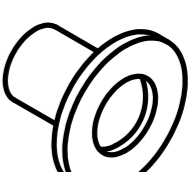


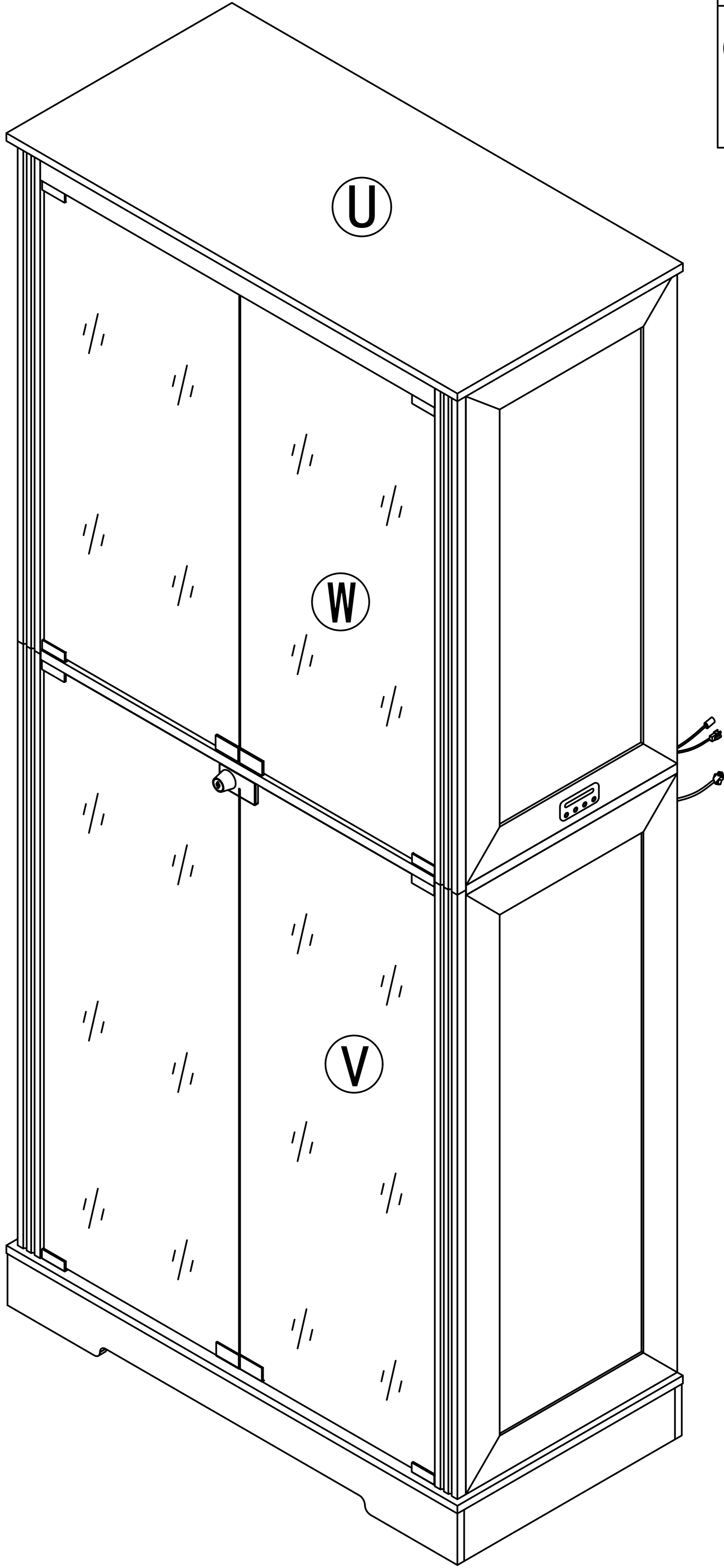
third

Locking screw



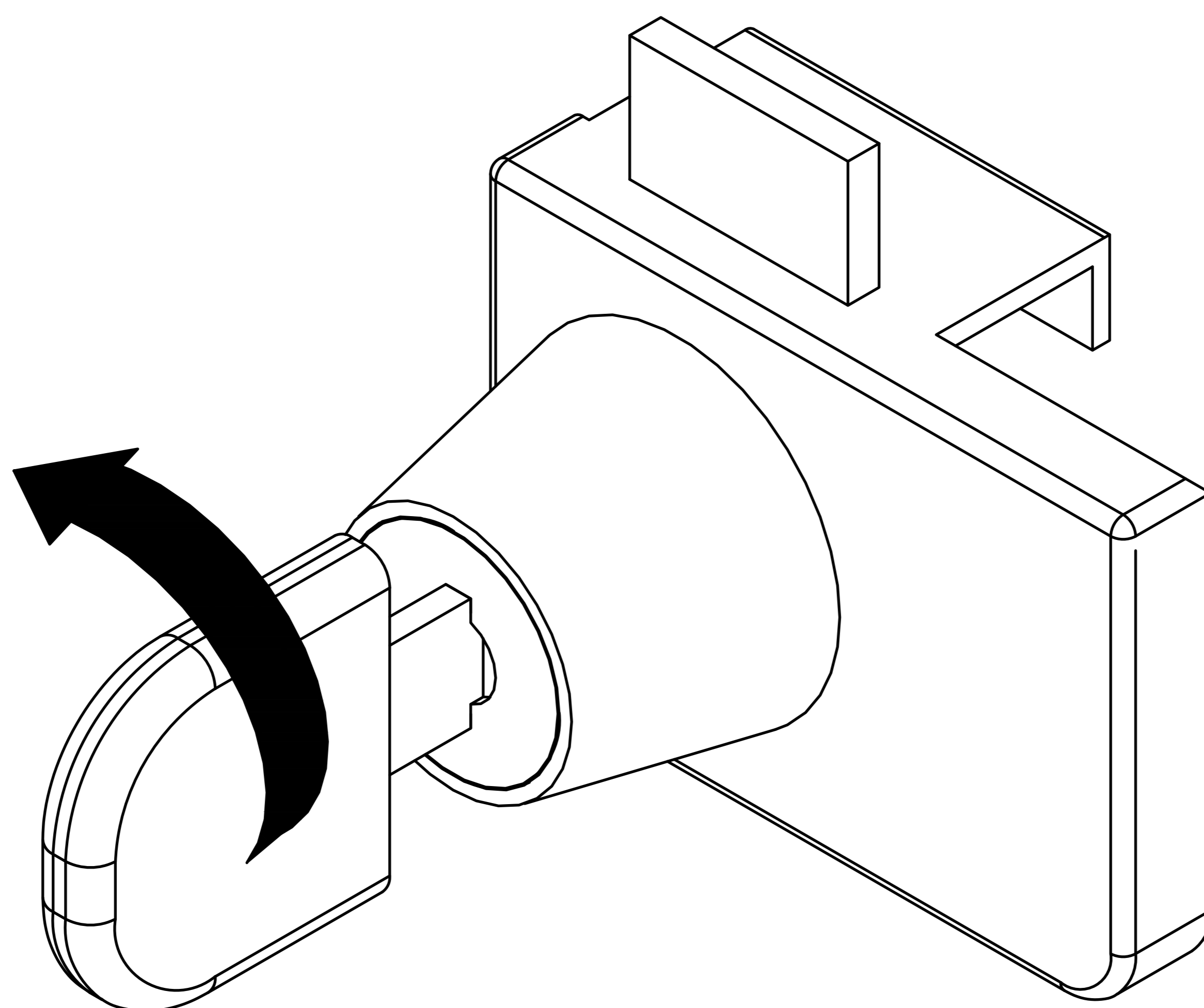
Step 41

8		x1
9		x1

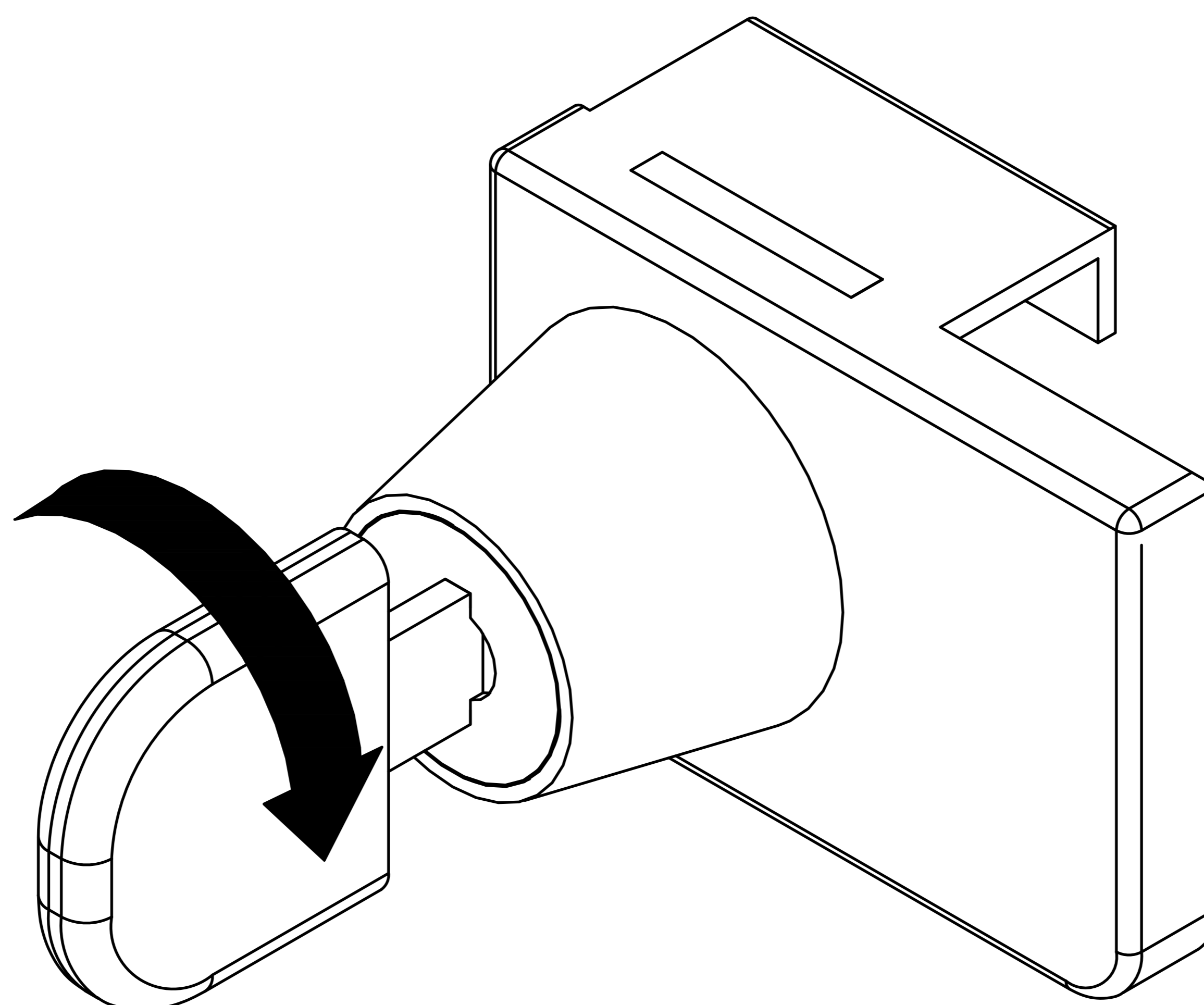


Repeat the door installation steps.

Tip: Turning the door lock to the right will close it

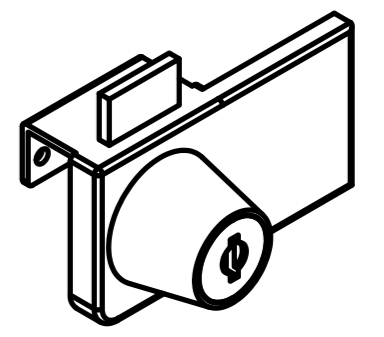


Tip: Turning the door lock to the left opens it



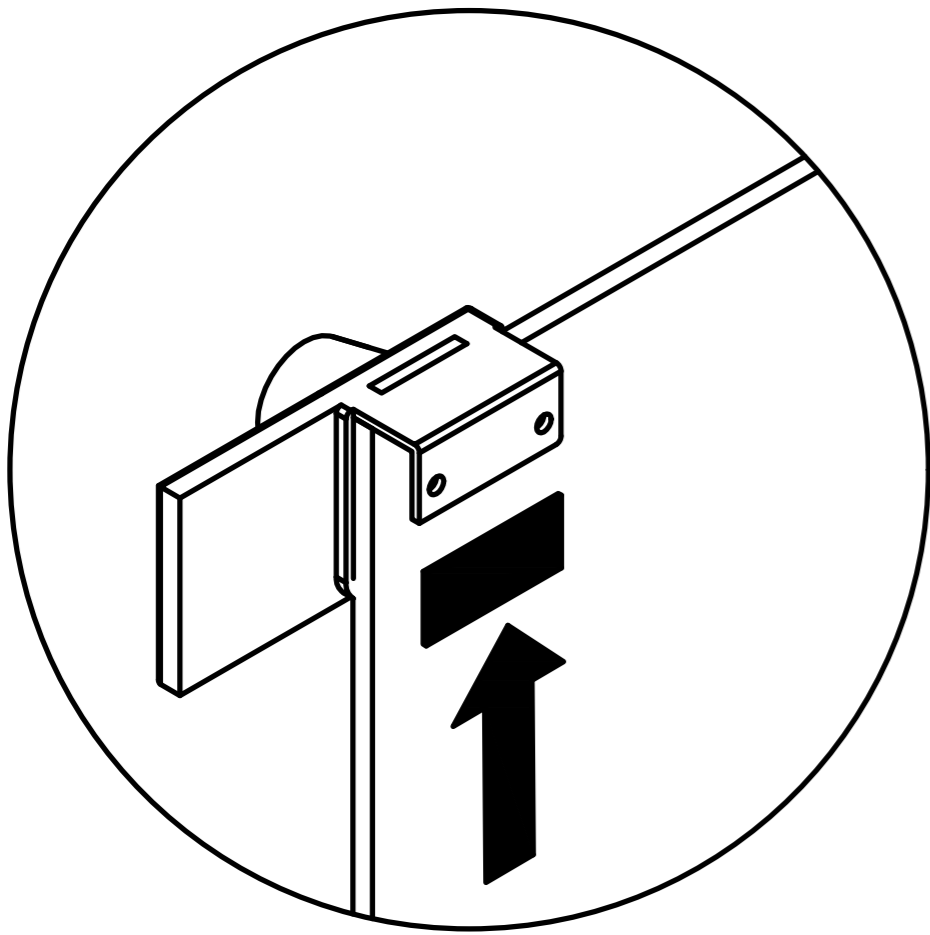
Step 42

12

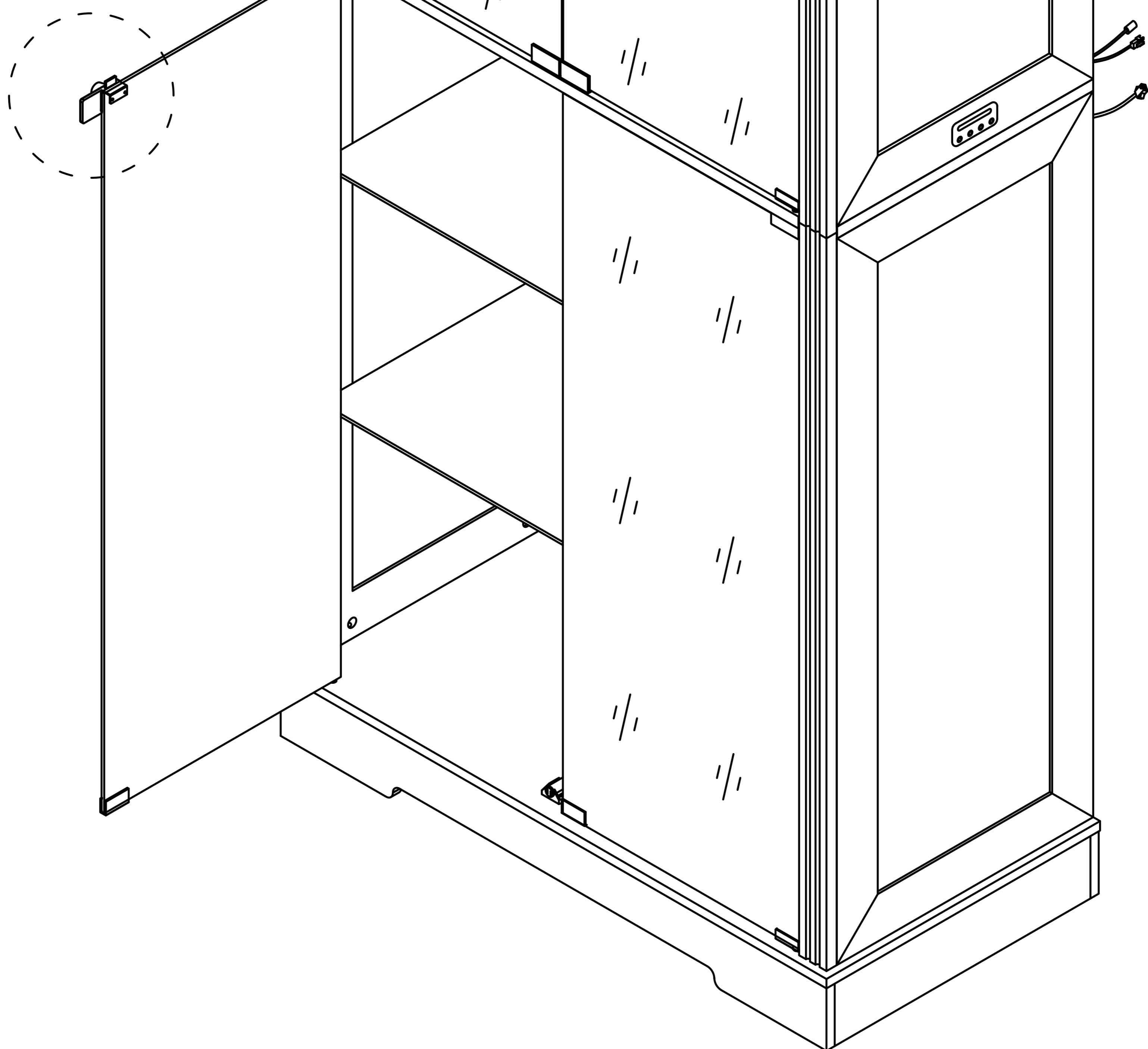
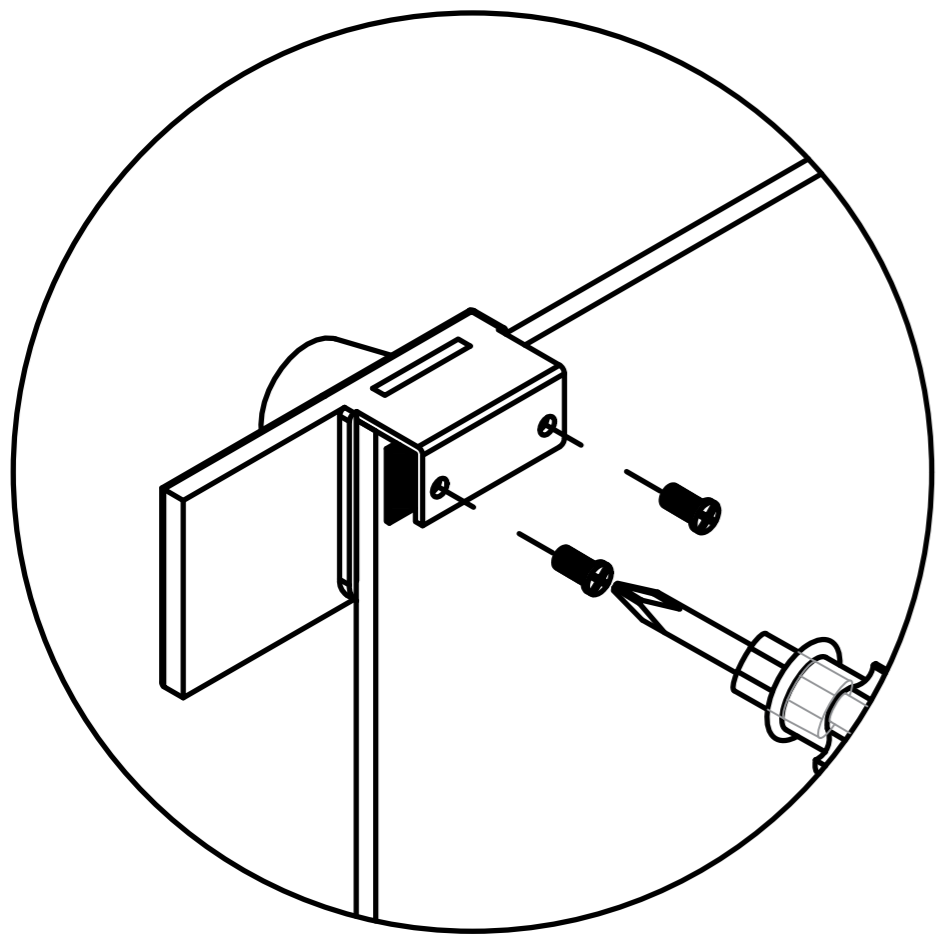


x1

first

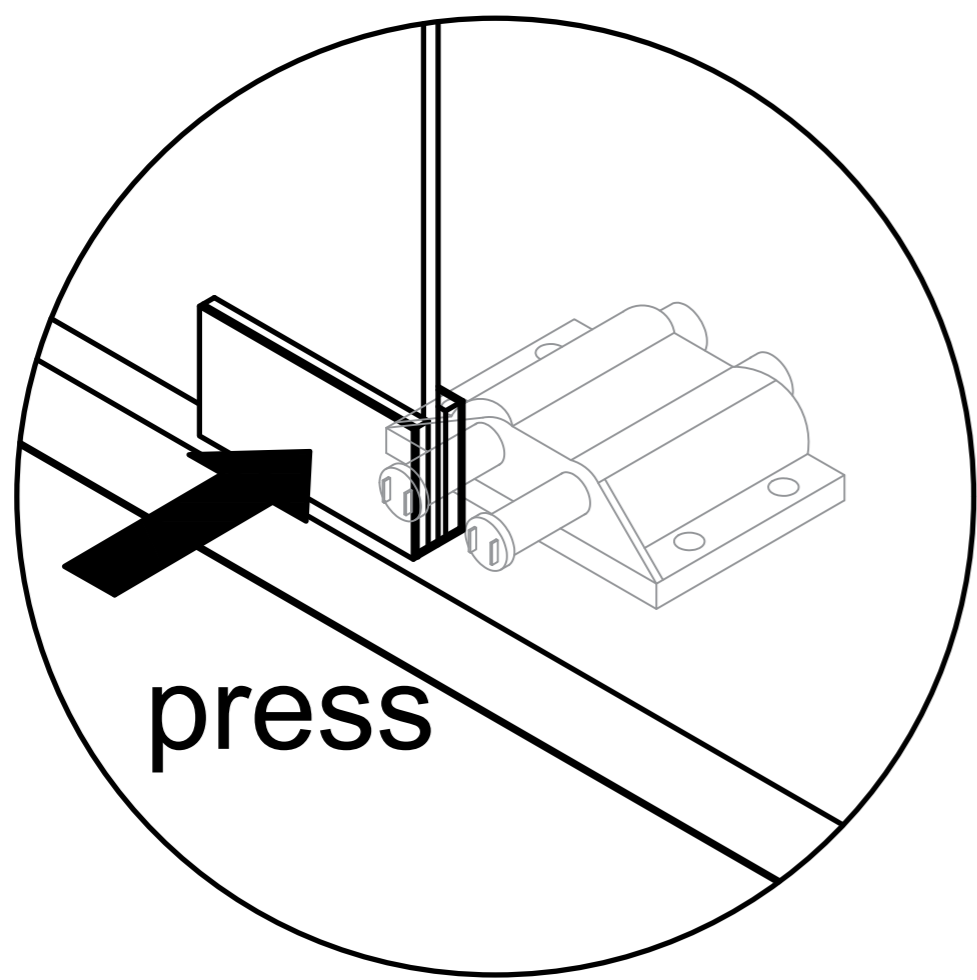


second

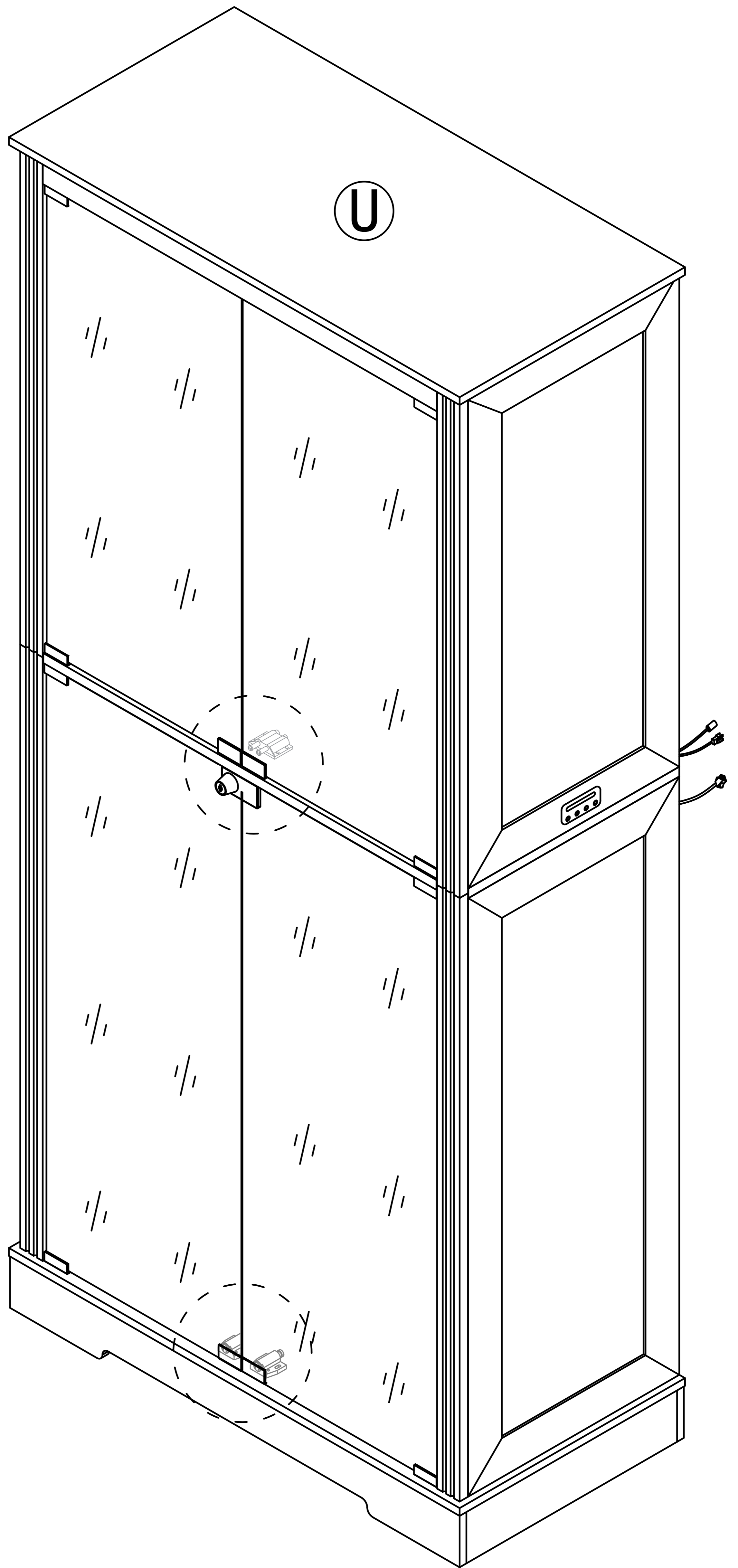
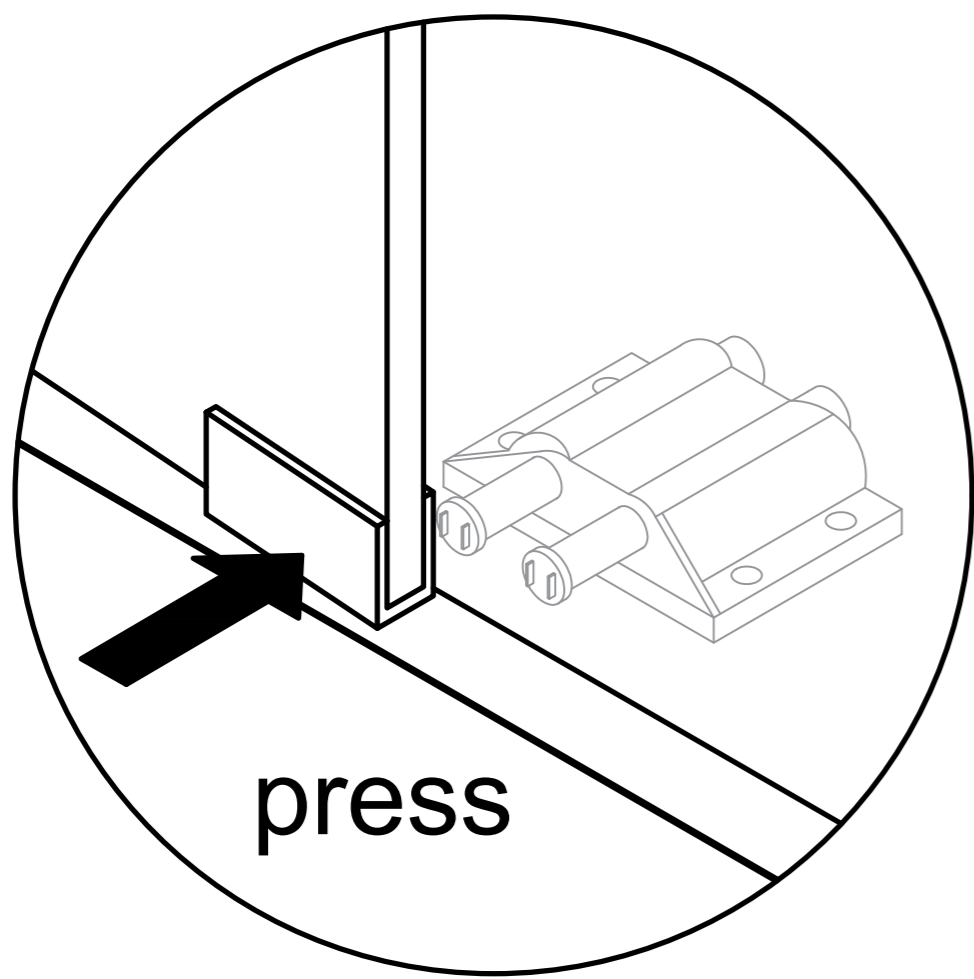


Step 43

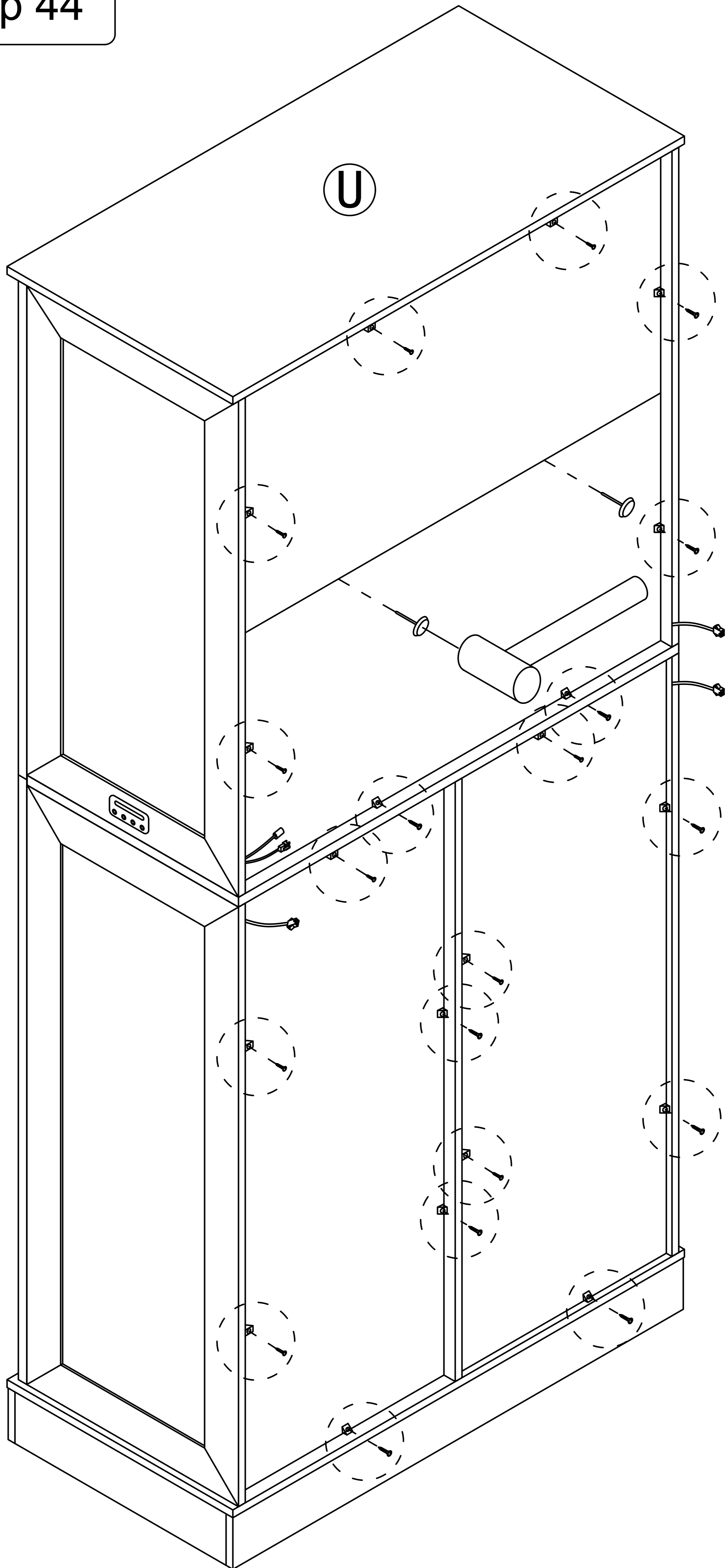
Open the glass door

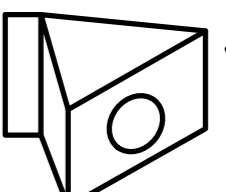



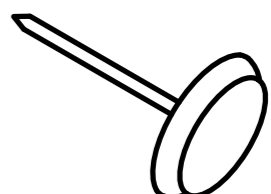
Close the glass door

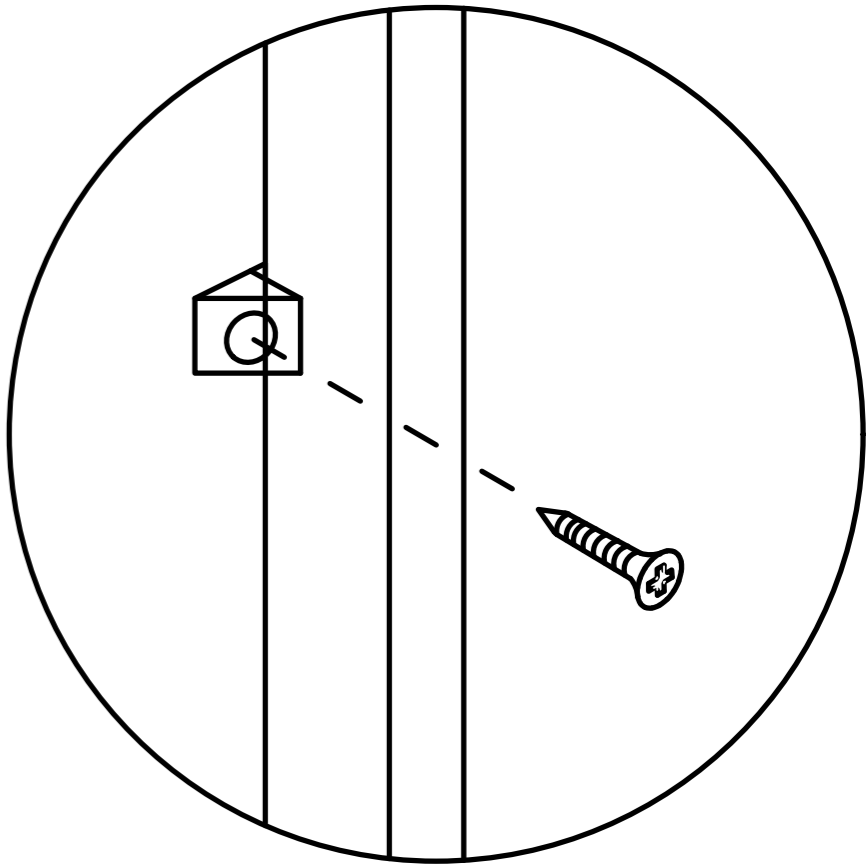


Step 44



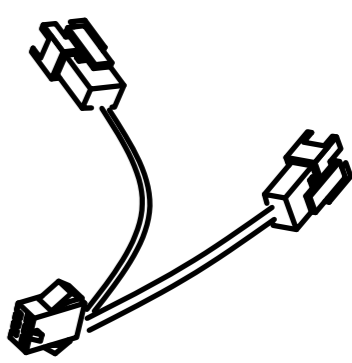
5   x20

11  x2

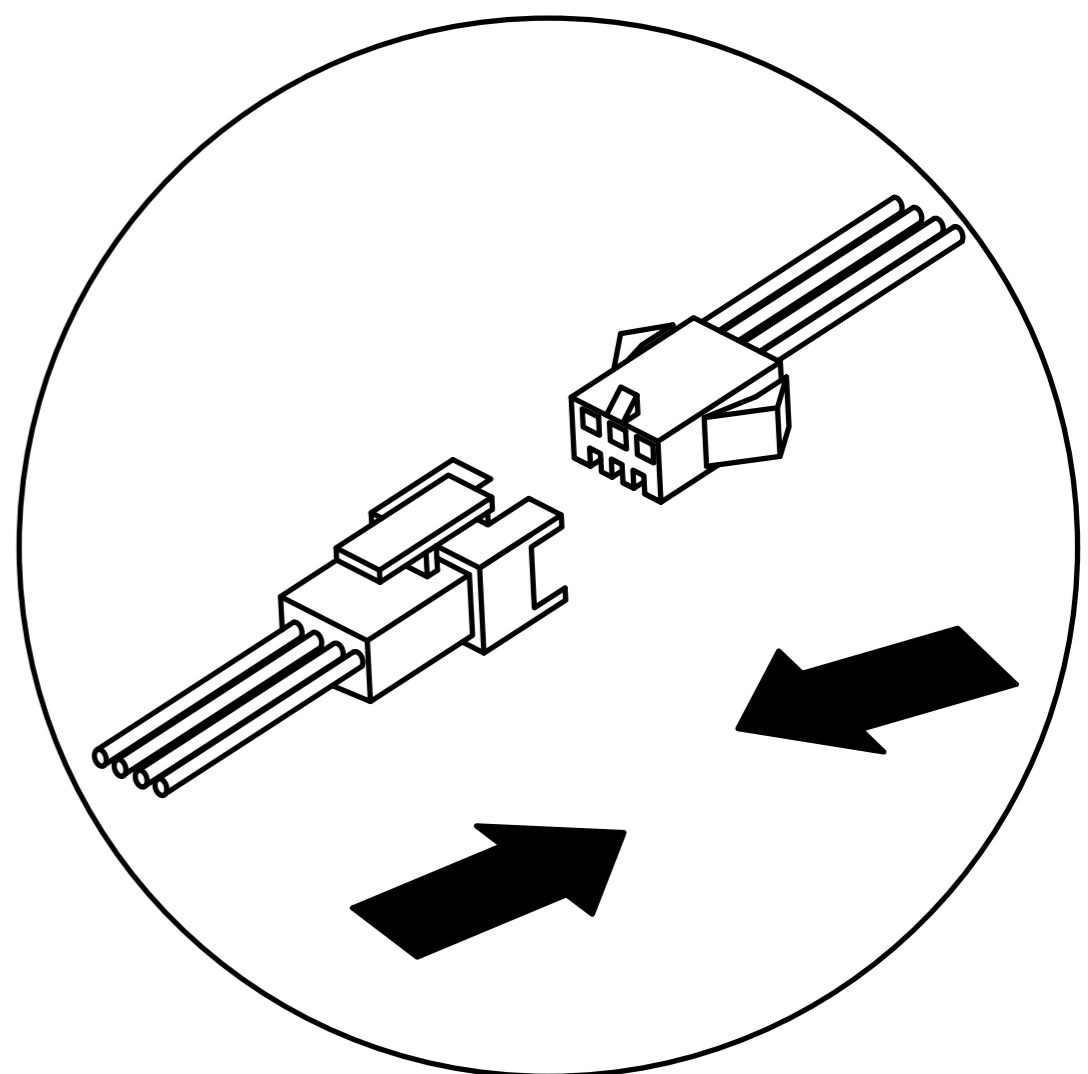
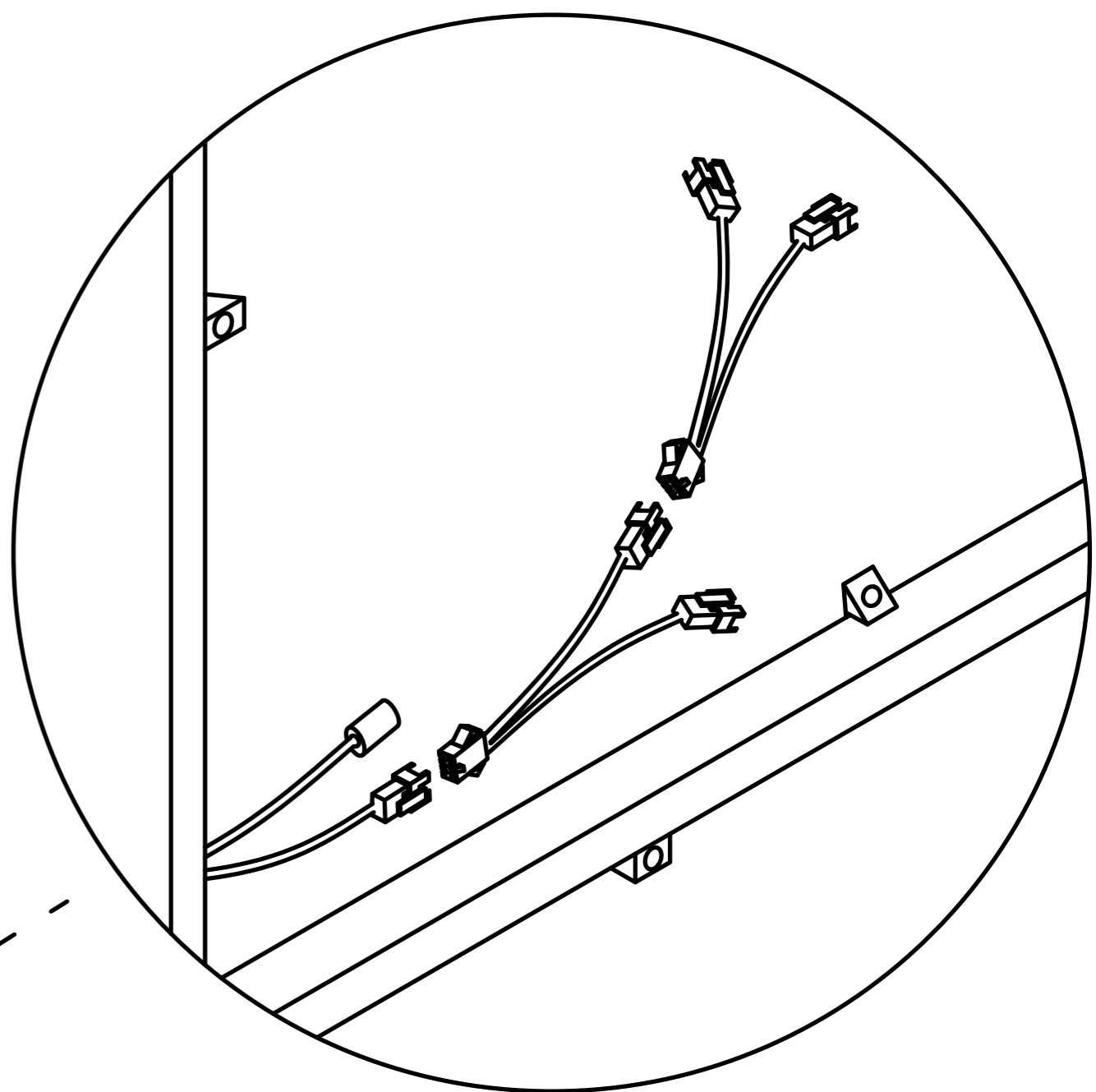
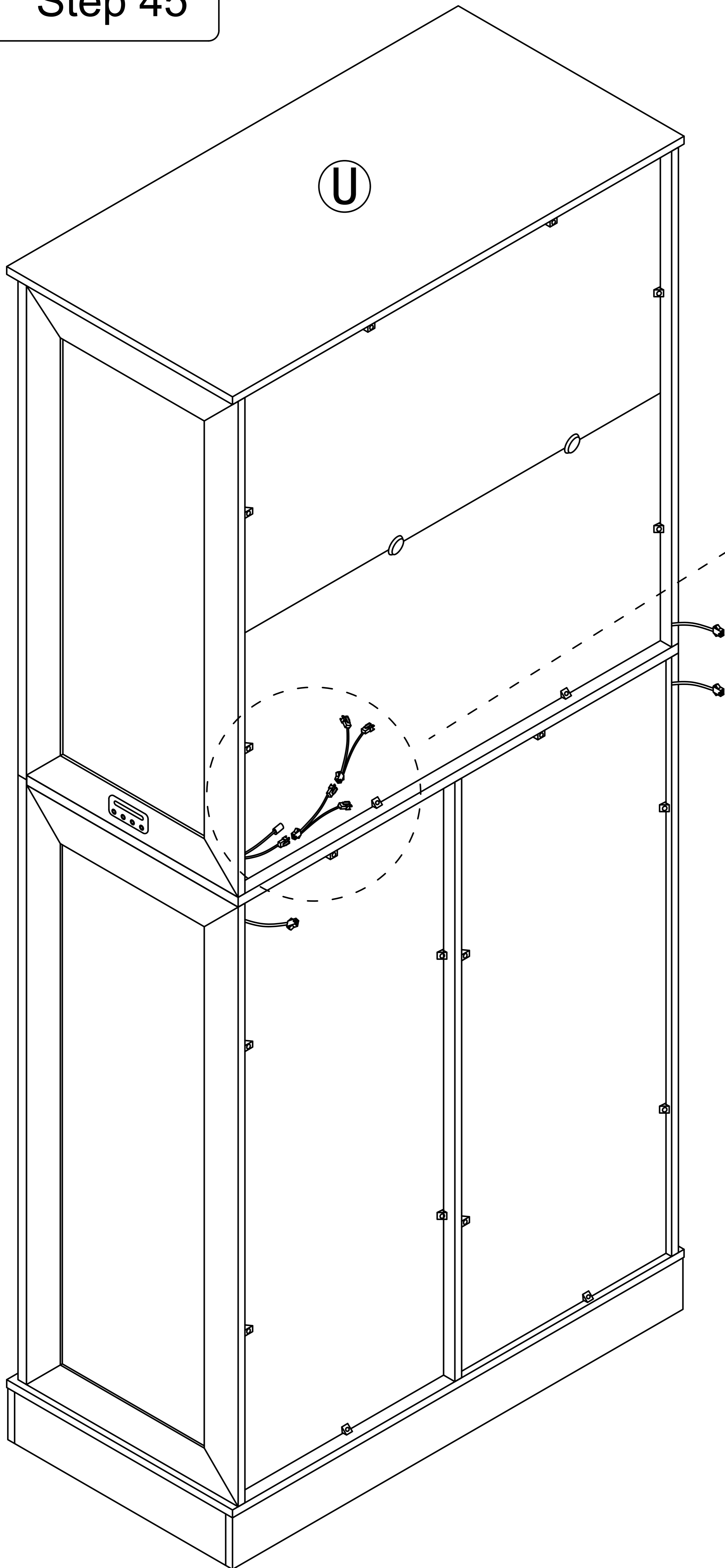


Step 45

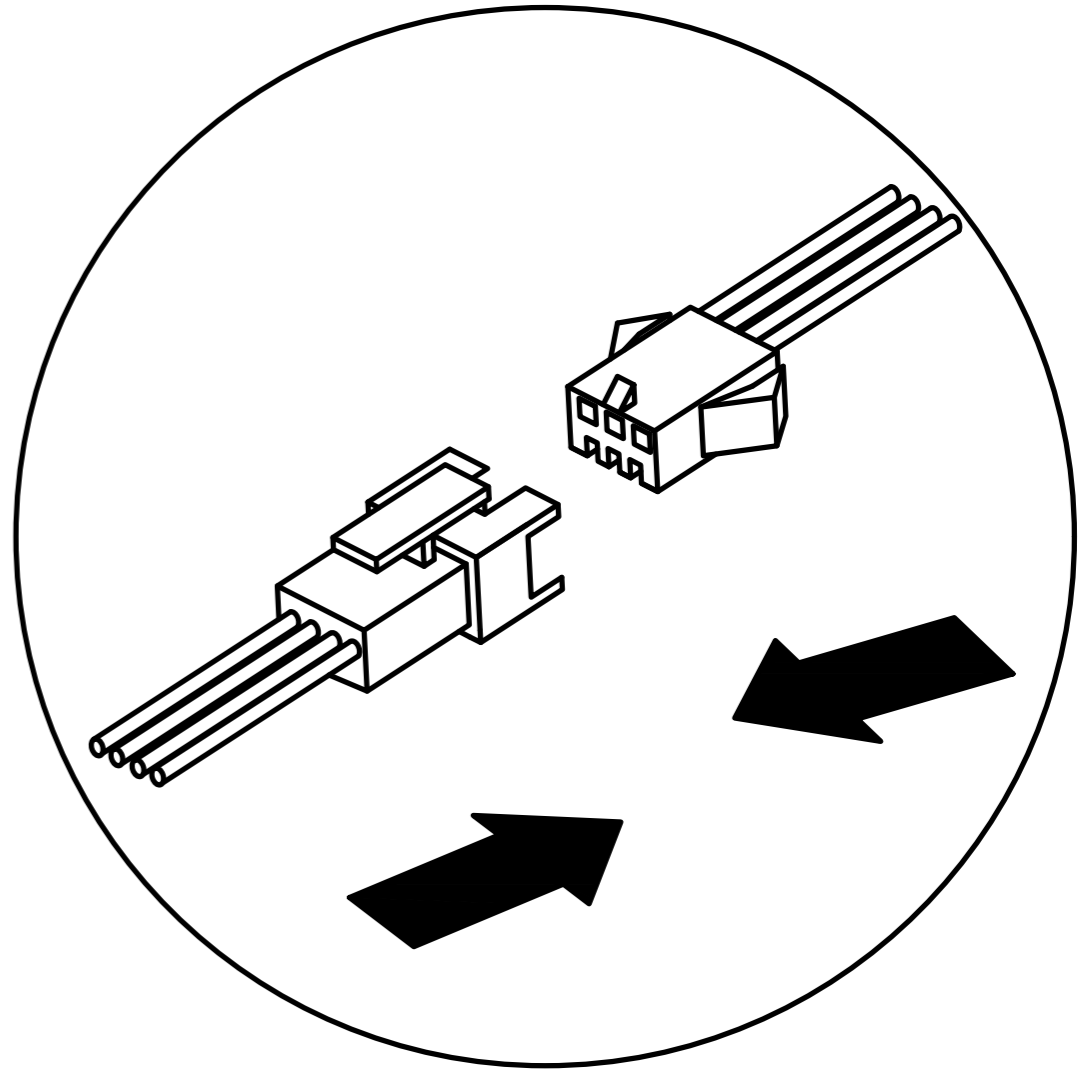
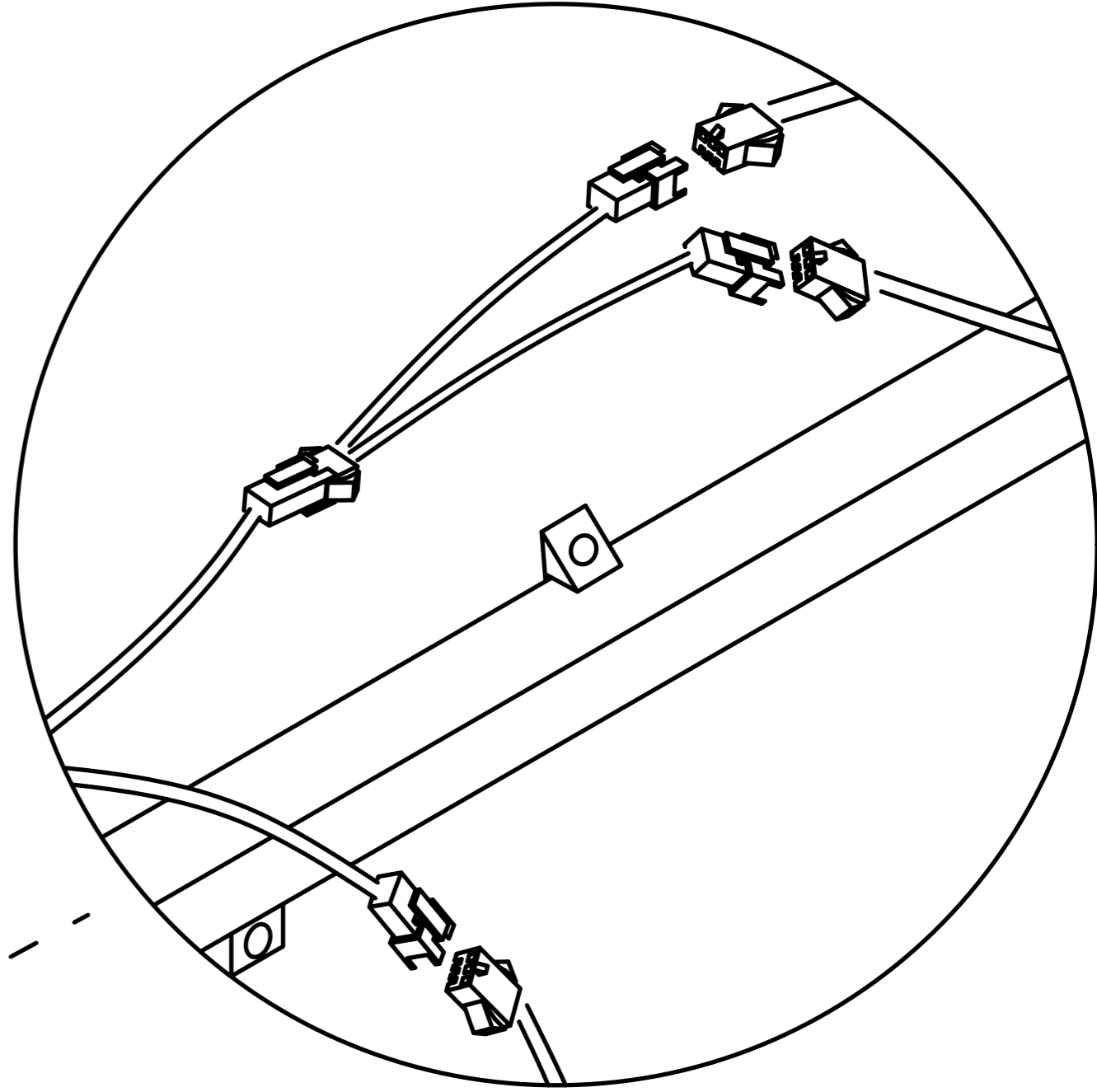
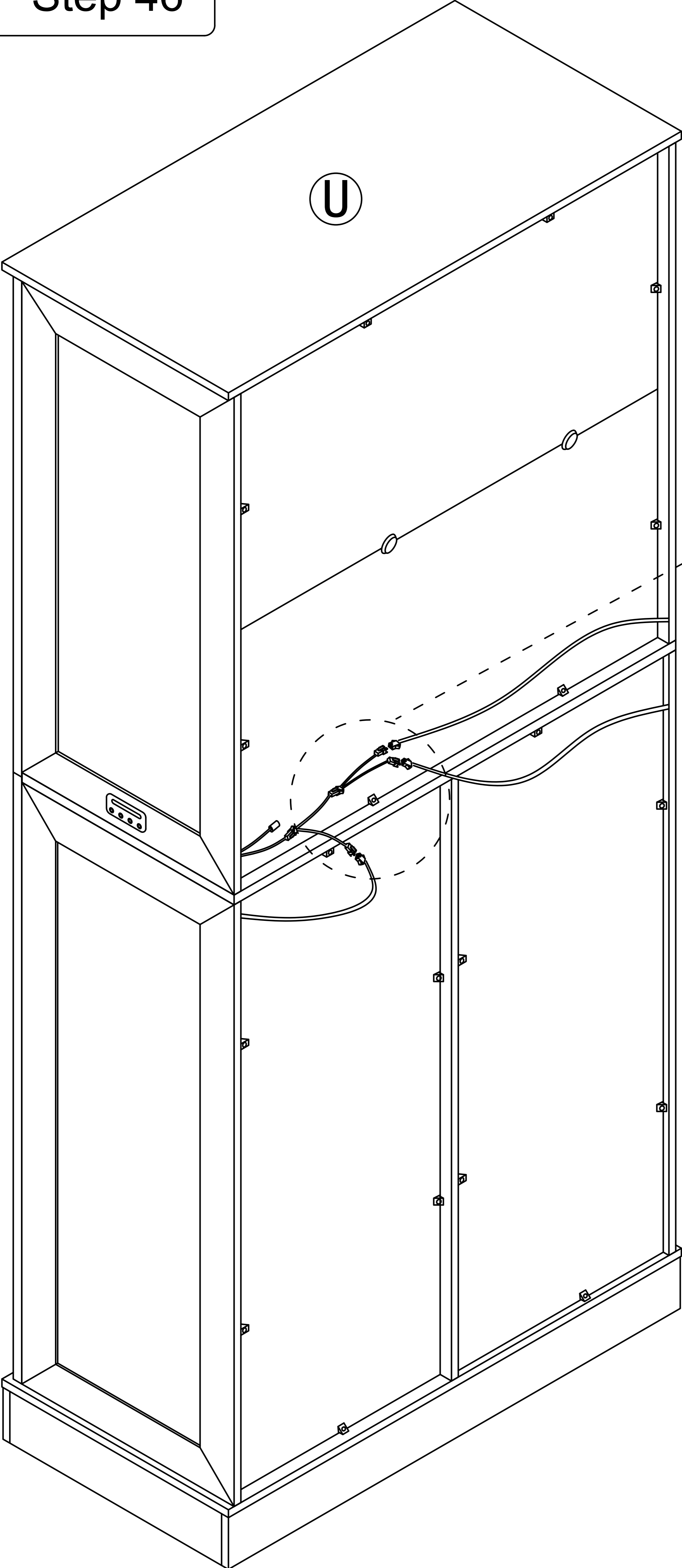
7



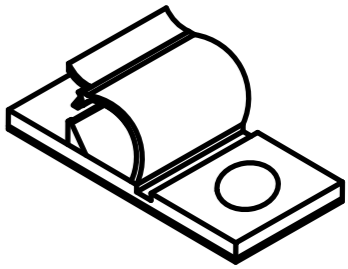
x2

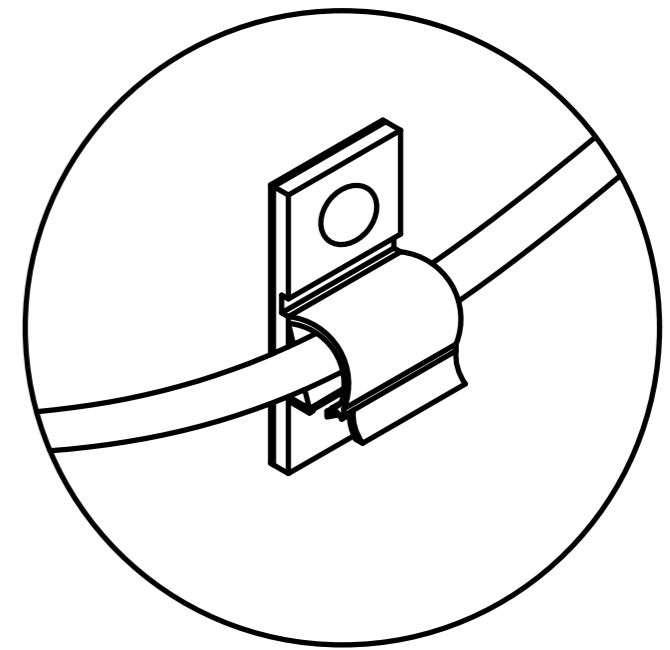
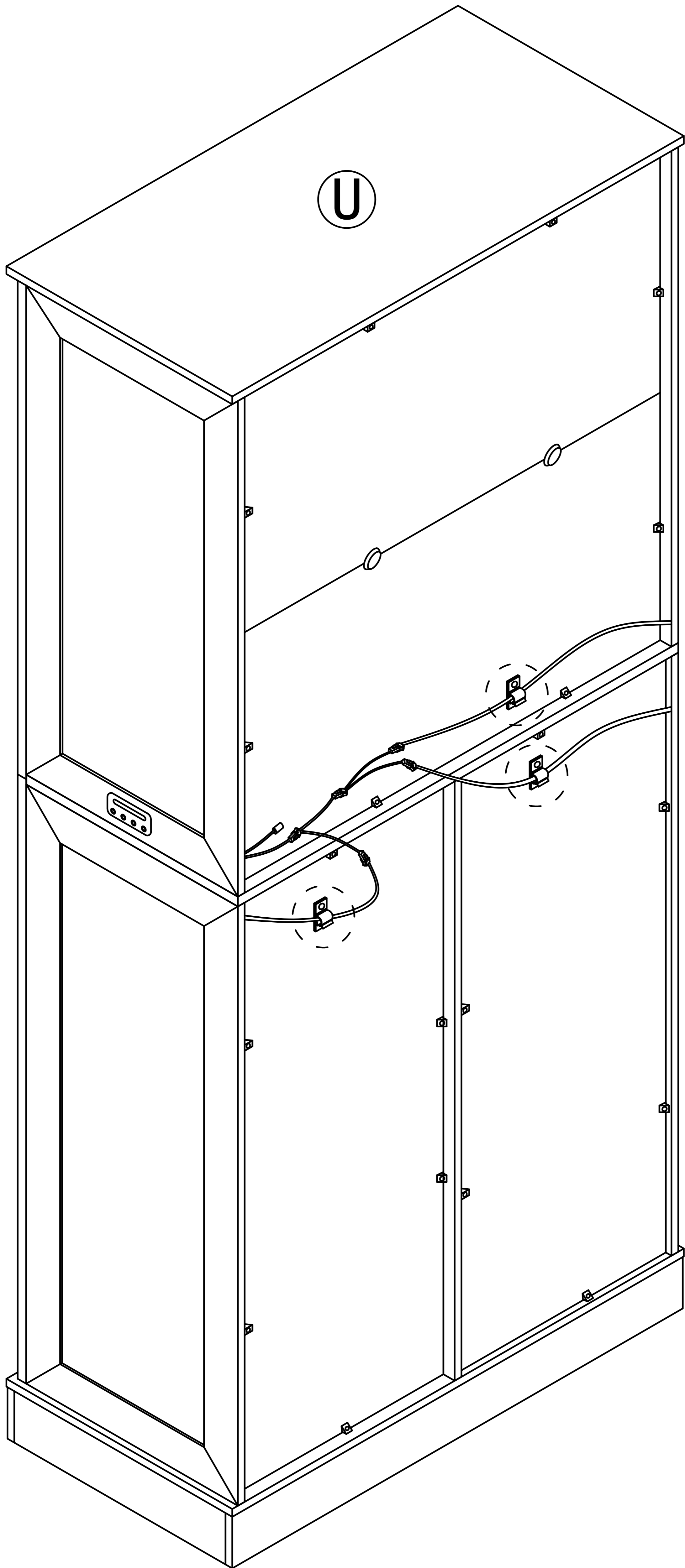


Step 46

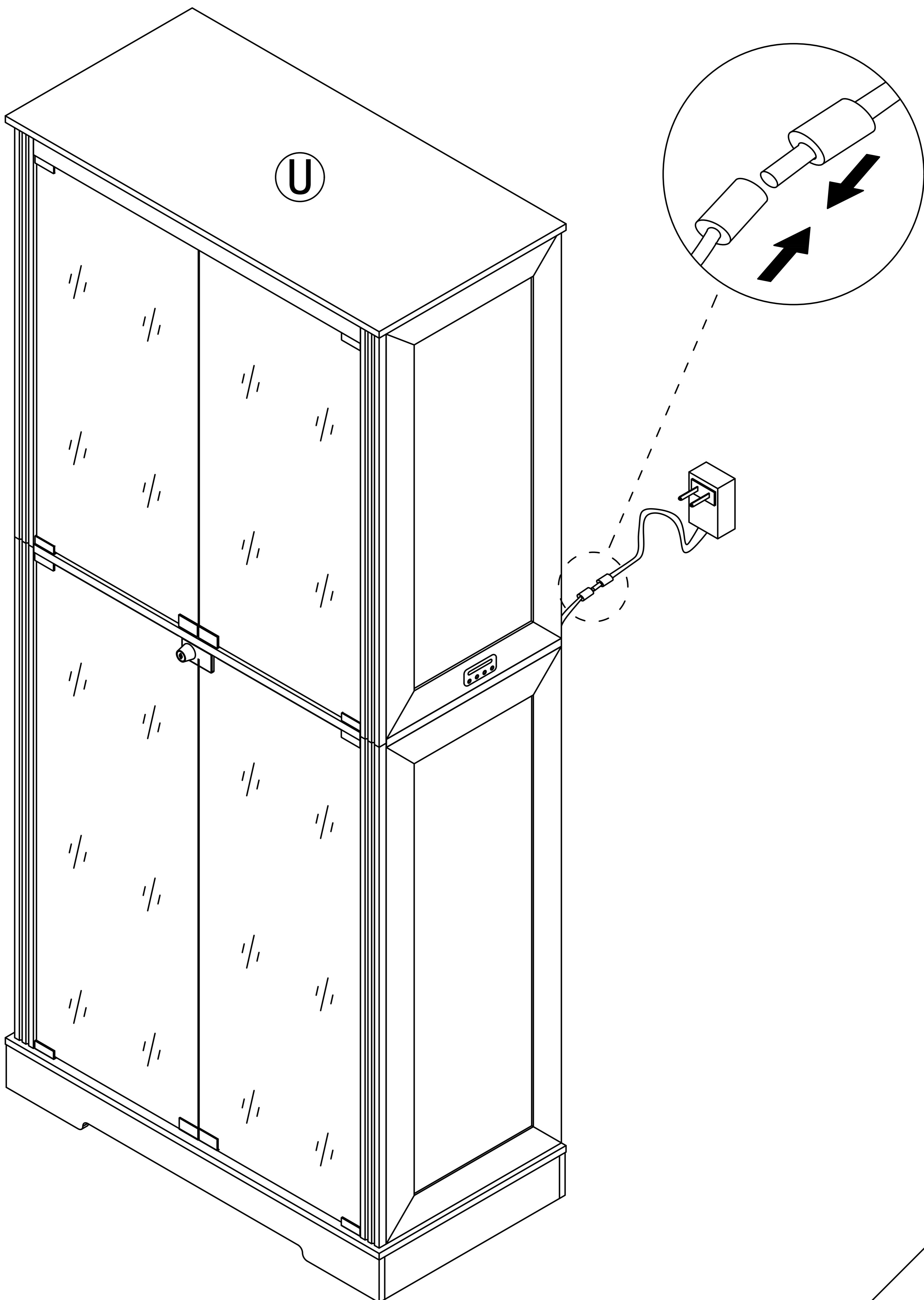


Step 47

6  x3

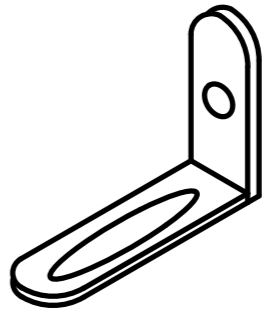
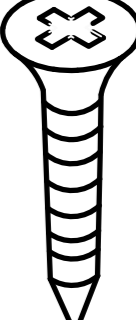
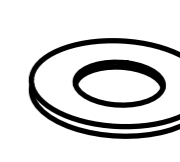


Step 48

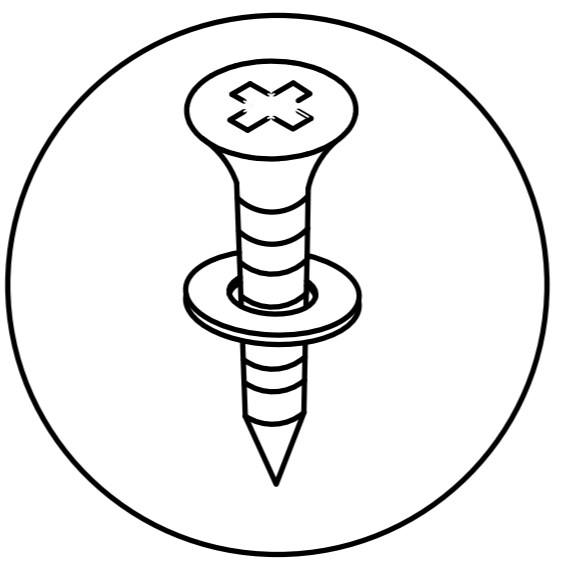


Step 49

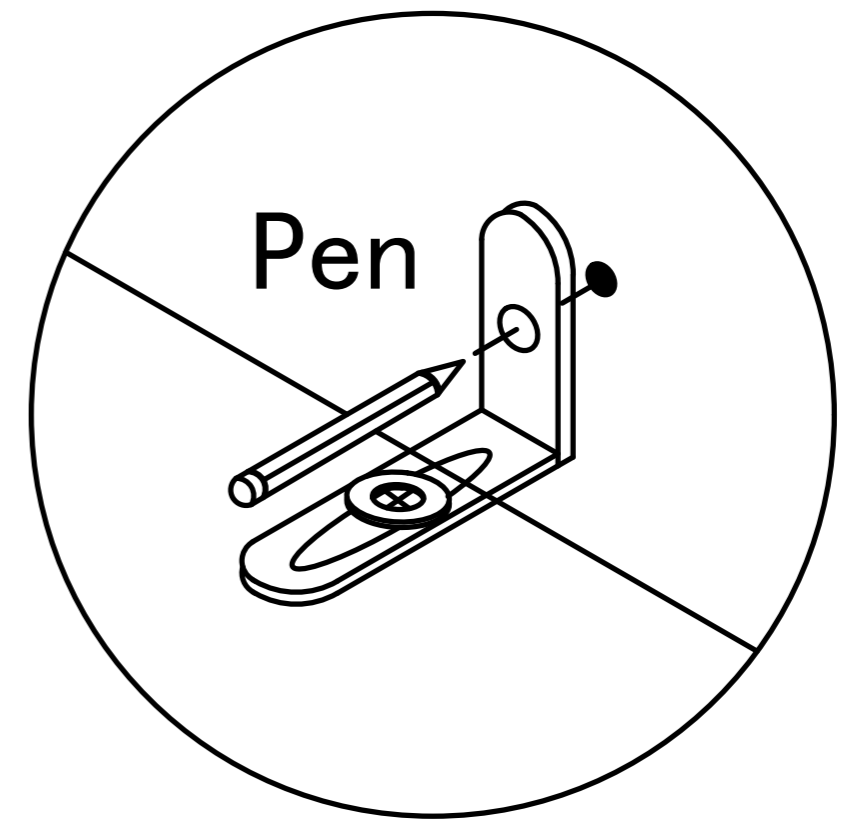
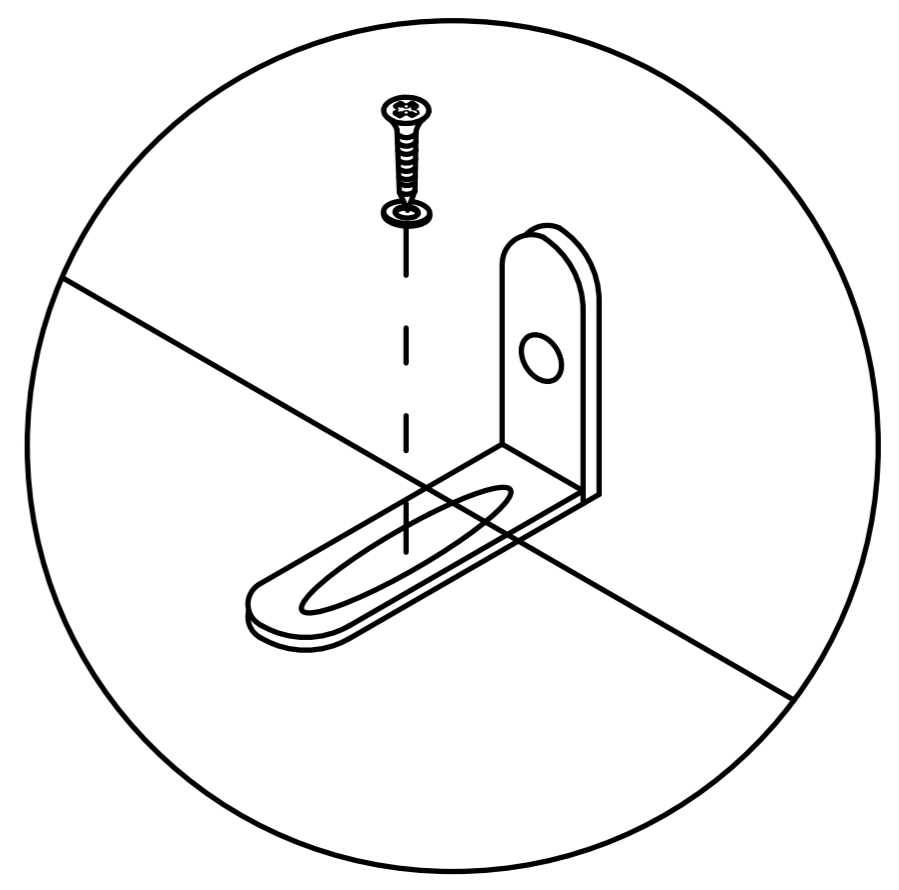
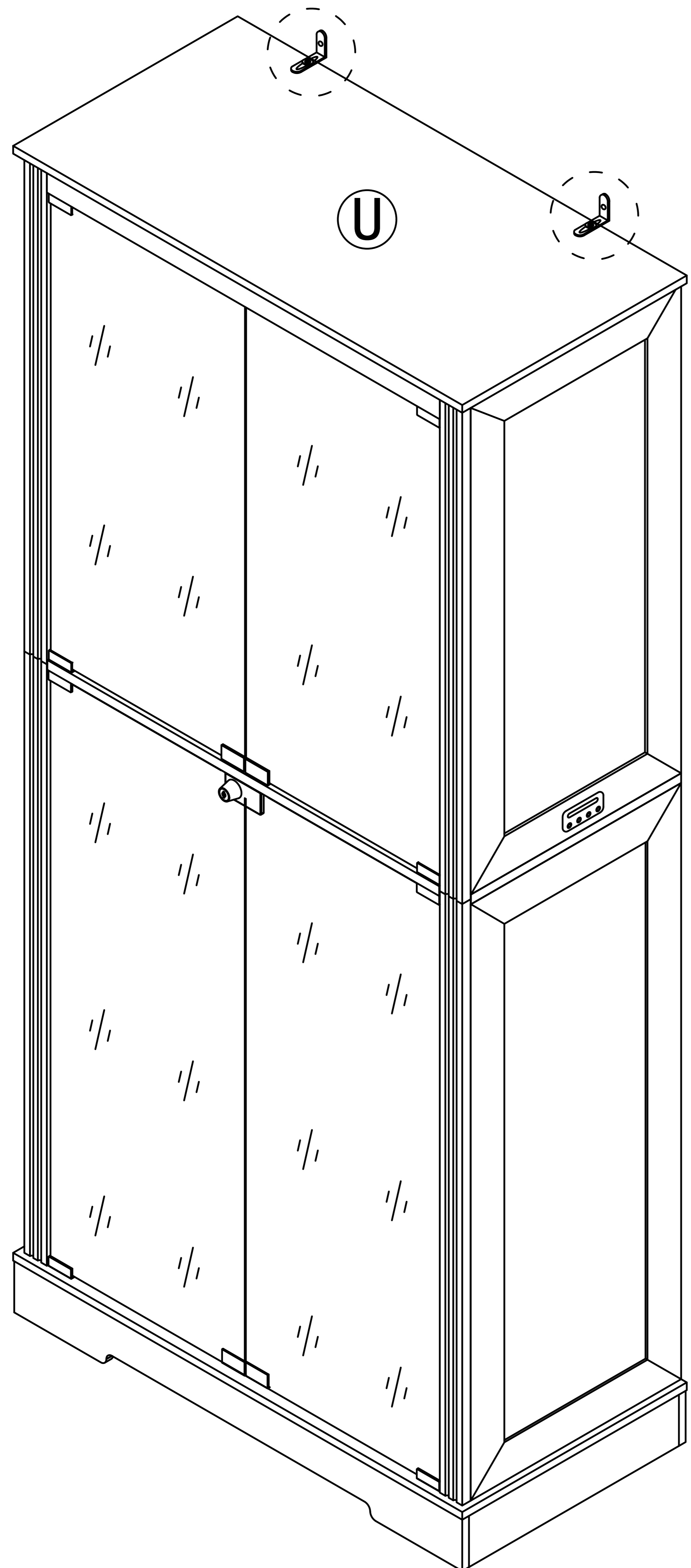
Install as required

13  x2  x2
 x2

3.5x14mm

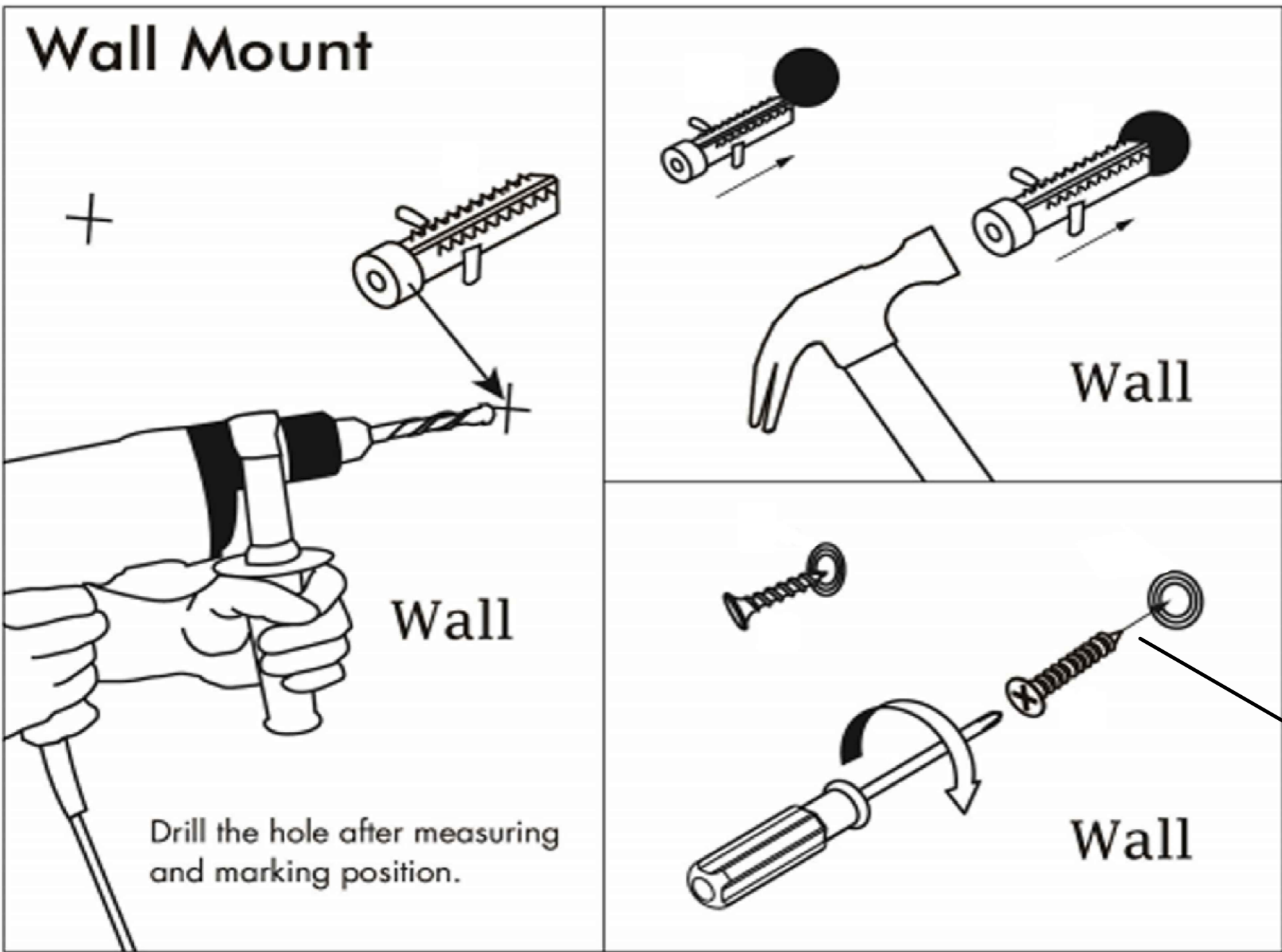



Install the anti fall hardware on the cabinet as shown in the picture first

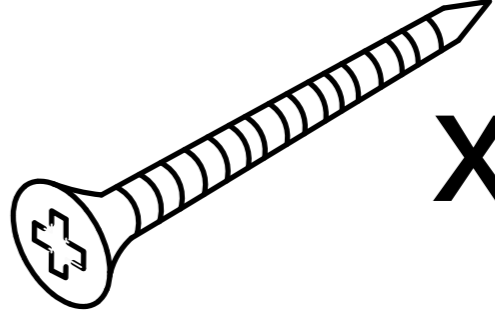
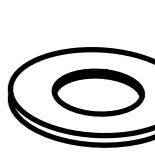


Then mark the wall with a pen through the holes in the anti-fall hardware

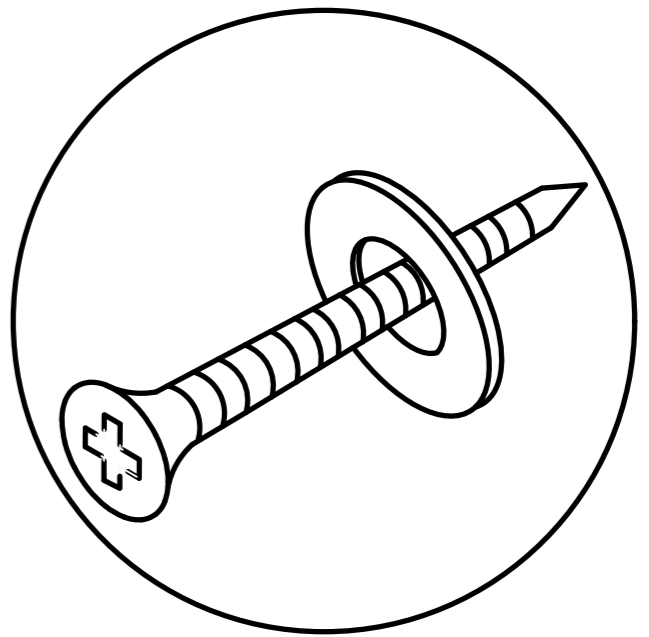
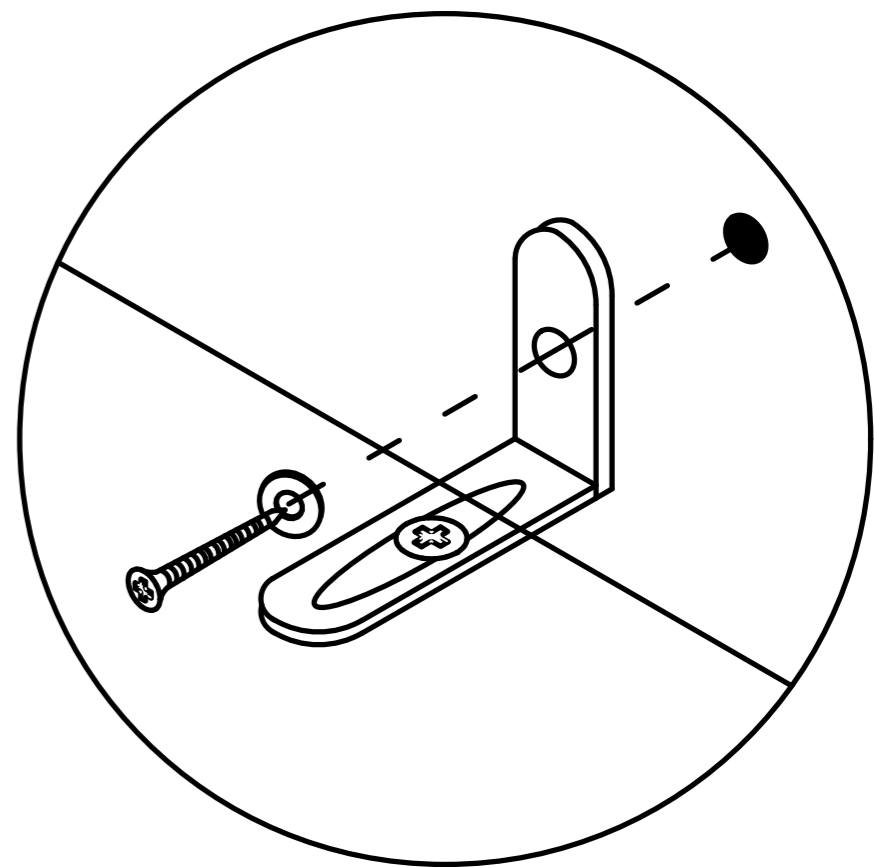
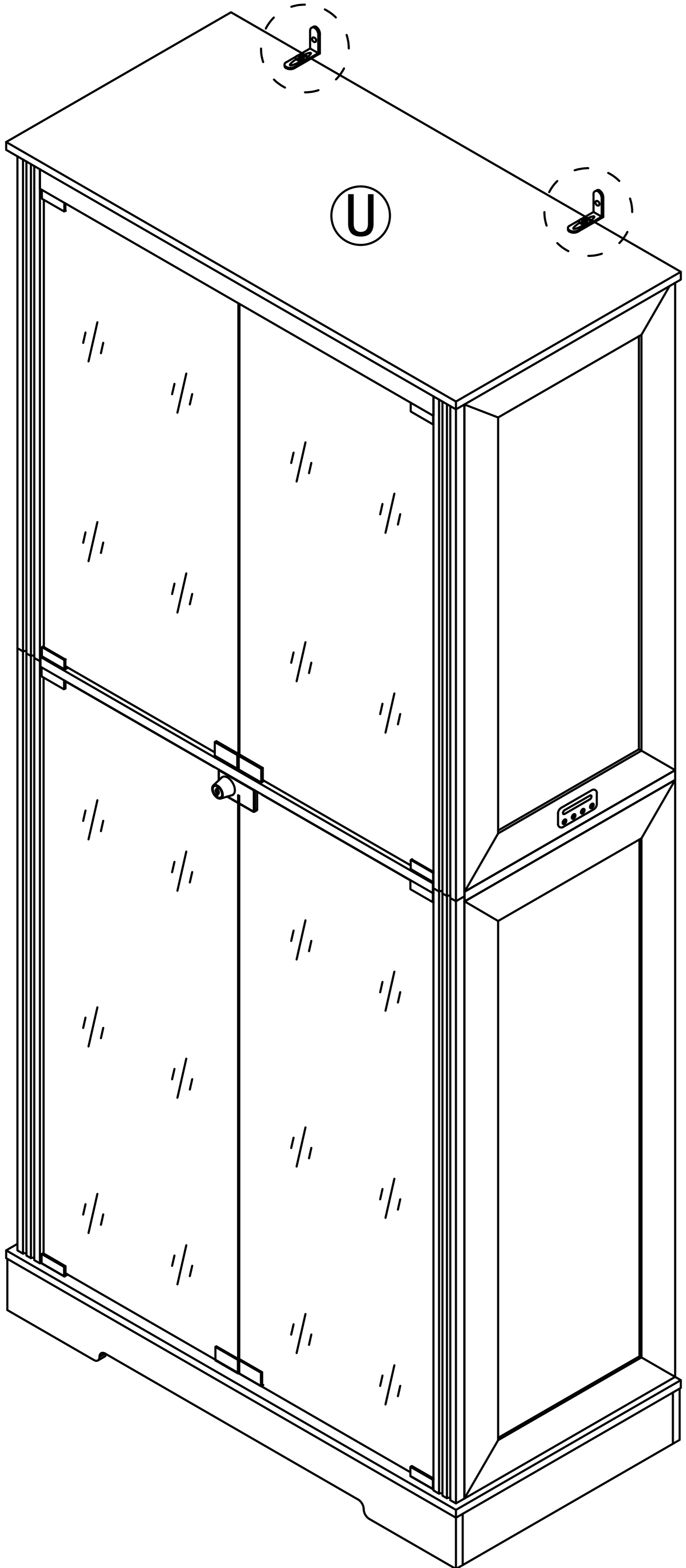
Step 50



13  x2

 x2  x2

Drill the hole with an electric drill and punch in the colloidal particles



4x45mm

Fix the dressing table to the wall

User's Guide

Thank you for purchasing this product.

To use this product, please plug it into a 12V DC power supply.


Please use if the product works normally after connecting to power.


Introduction

The box is an intelligent controller. With 5 touch buttons, it can turn ON/OFF the light and turn ON/OFF the induction function, change light colors, and adjust the light luminance.





Operation

 This touch button is the master switch of the smart box, which can turn off all functions of the box and control the light strips on/off operation. The operation that can be turned on and off with just a light tap. Press and hold to adjust the brightness. Upon first power-up, the default light will be set to white.

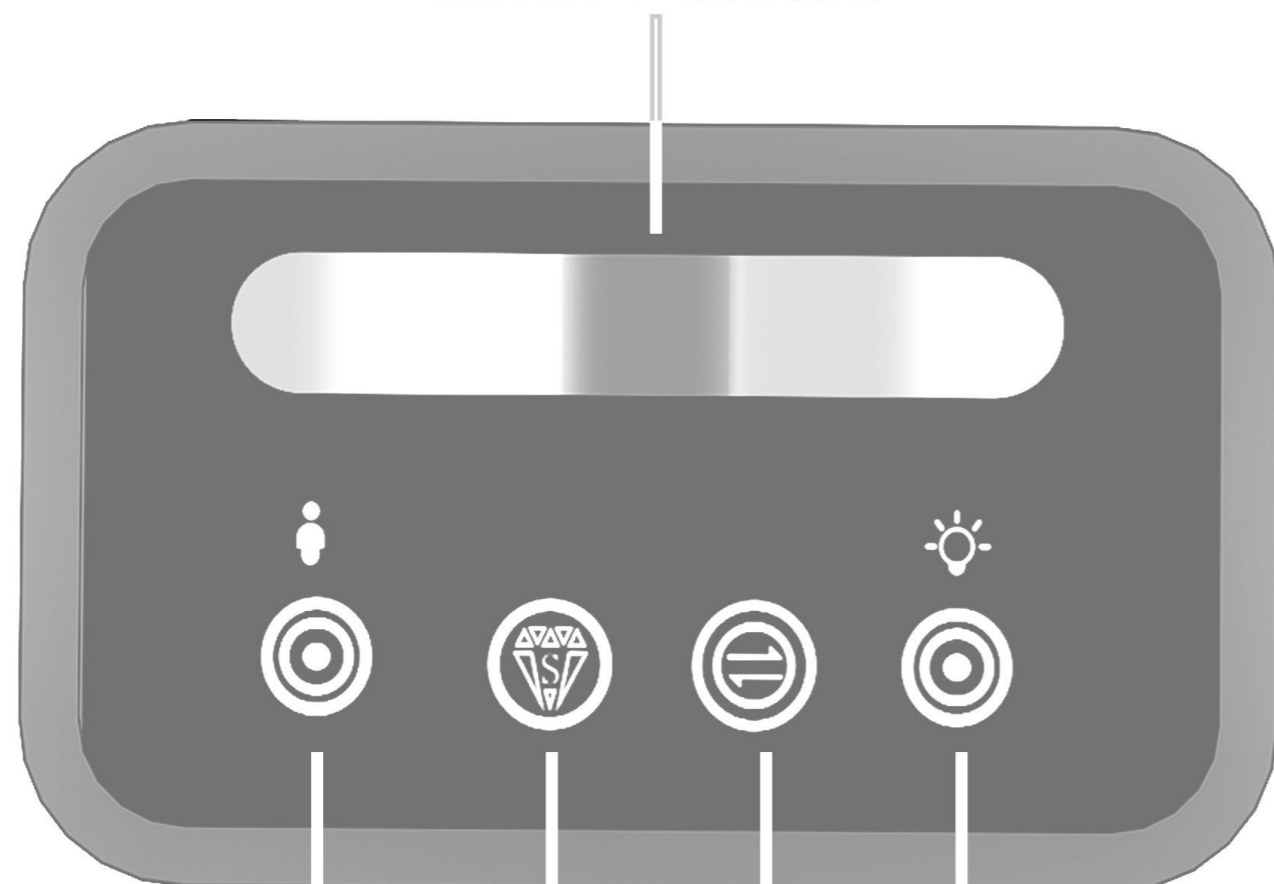
 This touch button is used to turn on/off the induction function.
A. touch this button once to turn on the induction function (indicator light on).
After the person leaves or remains stationary for more than 30 seconds, the light strip goes out; people and objects within a range of 1 meters move will light up the light strip.
B. Long press this button for 0.5 seconds to turn off the human body induction function (the indicator light goes out).
At this point, Keep the light strip as it was before turning off and no longer be affected by human and object activities. By default, induction function is enabled when powered on.

 This touch button is the Dynamic Phantom Color Mode, which includes 5 magical lighting effects. Simply tap to cycle through the options. (Attention: This mode cannot adjust the brightness)

 This touch button controls the single-color switching function of the light strips, offering 7 different colors to choose from.

 This area controls the color switching function. You can tap or slide to any color bar position to change the color.

Color Palette



Induction Button

Phantom Color Mode Button

Master Switch Button

7-Color Mode Button



ATTENTION PLEASE

1. If there is no touch response suddenly, Re-plug the power to reset the touch static electricity.
2. If bubbles appear on the panel, remove the protective film.
3. If you have any questions when installing, please feel free to contact us. Thank you.



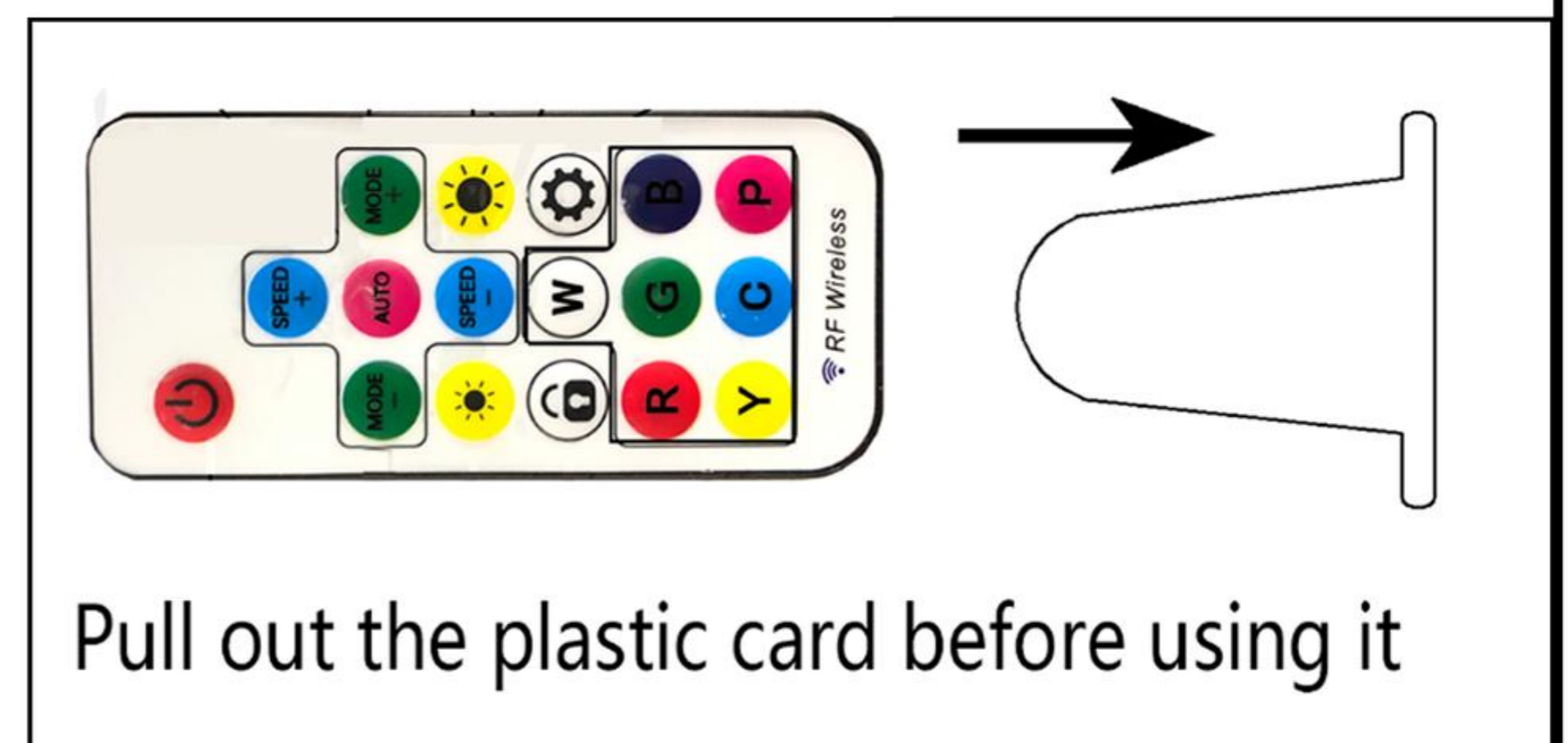
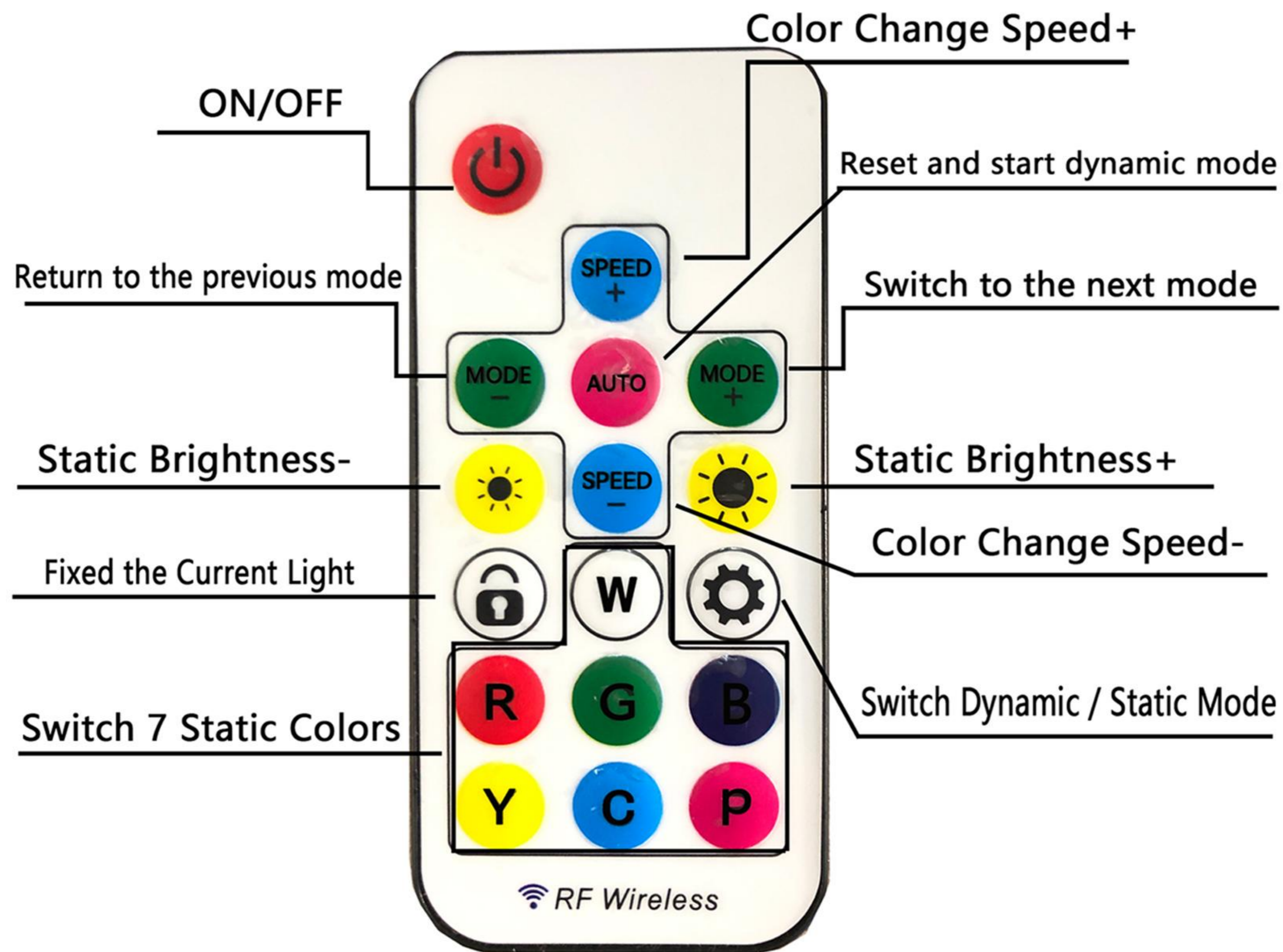
1. ON/OFF



2. Static Light Mode
(Long press to adjust brightness)



3. Dynamic Mode
(Long press to adjust)



LED Lights Controller-use instructions

Remote Battery: CR205 3V

How to use the controller?

1. After inserting the DC power adapter, you can use the remote control to control the lights. Press The "on /off" key to turn on the light and it will enter the static light mode.
2. There are 7 RGB Dynamic Modes. You can press the "MODE+/-" key to choose dynamic colors that you preferred and press the "Speed+/-" key to adjust color change speed.
3. There are 7 static colors: White / Red / Green/ Blue / yellow / ice blue/ pink light. You can press the "Brightness +/-" key to adjust the brightness.
4. You can press the "lock" key to fix the color you like. When you press the "Switch Dynamic /Static Mode" ket, the light will change between dynamic mode and static mode.