

# 81T201

## Description

Exposed manual flush valve for 1.5" (38 mm) top spud water closet fixture with quiet action chloramine-resistant diaphragm and adjustable flush volume factory set to 1.6 gpf (6.0 Lpf).

## Specification

- Flush Volume: Adjustable - factory set @ 1.6 gpf (6.0 Lpf)
- Fixture Type: Water closet with 1.5" (38 mm) top spud
- Valve Type: Water Closet Flush Valve
- Operation: Oscillating handle

## Features

- Quiet action, chloramine resistant diaphragm
- Right or left-hand supply installation
- Renewable seat
- Vacuum breaker
- EZ Adjust system
- Polished chrome-plated finish
- Maximum 11.5" (292 mm) from centerline of valve inlet to top of water closet
- 1.0" (25 mm) FIP/Copper Sweat inlet adaptor, angle check stop with protecting cap
- Adjustable flush valve tail
- Vandal resistant cover screw
- ADA compliant metal oscillating handle actuator with "non hold open" feature for enhanced accessibility and precise control
- Cover tube, stainless steel wall flange, spud flange, spud nut, and 11.5" (292 mm) outlet tube
- Water conserving adjustable flush volume from 1.27 - 6.6 gpf (4.8 - 25 Lpf), factory set to 1.6 gpf (6.0 Lpf) for efficient water usage
- Adjustable 4.75"  $\pm$ 0.5" (121 mm  $\pm$ 13 mm) inlet/valve outlet centers

## Optional Accessories

- **060117A** - 1.5" (38 mm) Diameter Split Ring Hanger
- **061428A** - Standard left-hand thread tail 1.0" (25 mm) extension
- **061429A** - Standard left-hand thread tail 2.0" (51 mm) extension

## Operation

- Recommended water supply:  
Minimum flowing pressure – 25 psi (172 kPa)  
Minimum flow rate – 25 gpm (95 L/min)



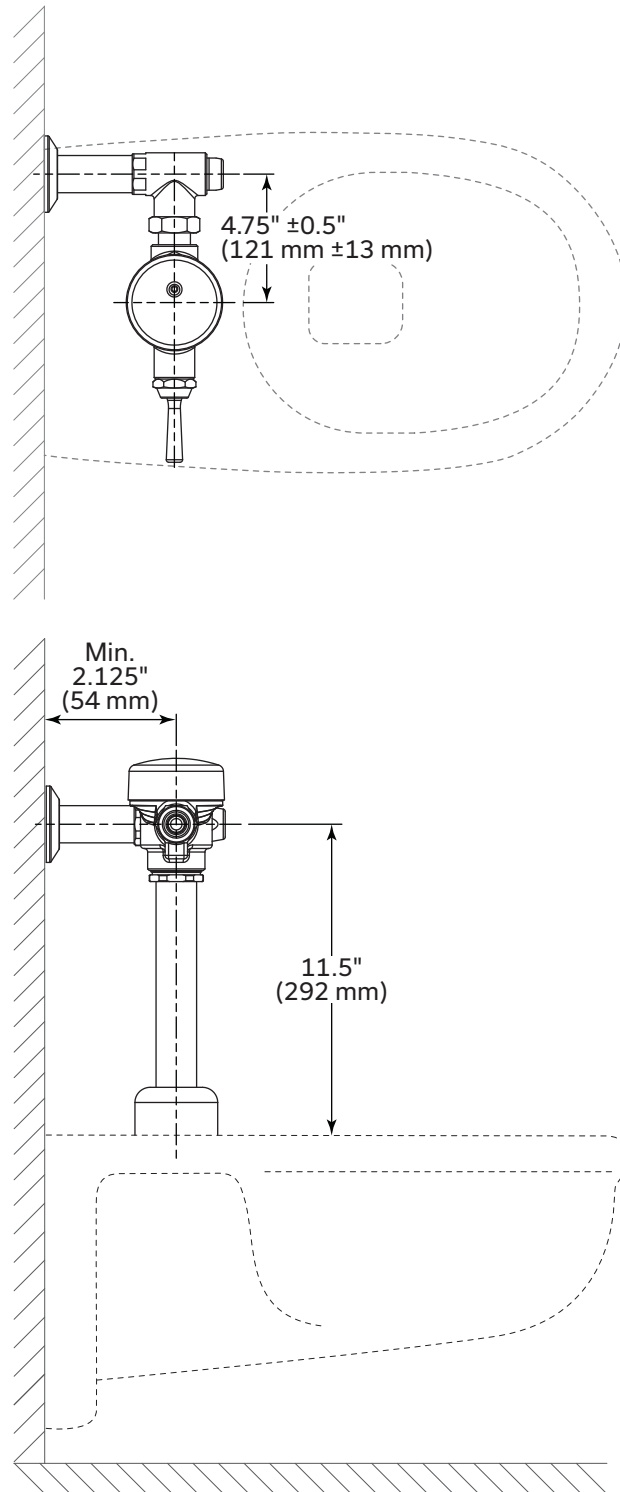
## Complies With

- ASSE 1037/ASME A112.1037/ CSA B125.37
- ICC / ANSI A117.1



(Contact Delta Representative for State and/or Local Approvals)

**81T201**



Teck® flush valves are designed to operate at any supply pressure between 20 psi and 125 psi in accordance with ASSE 1037/ASME A1 12.1037/ CSA B125.37. The Teck® flush valve delivers the industry's highest peak flows to enhance bowl scrubbing. At high water pressures, splash out, noise or reduced life of plumbing components may be observed with a few models of water closet or urinal fixtures. To minimize or eliminate these effects, select a different model of water closet or urinal from the same or another manufacturer, or install a pressure reducing valve. If the installation does not allow for either of these options, the control stop adjusting screw may be used to reduce pressure to the valve.

**NOTICE** Dimensions are for reference only, measurements may vary  $\pm 0.25"$  (6 mm).  
Maximum flow rates - 60 psi (414 kPa).

© 2025 Masco Canada Limited  
350 South Edgeware Rd, St Thomas, Ontario, Canada N5P 4L1  
1-800-387-8277

Masco Canada Limited reserves the right (1) to make changes in specifications and materials, and (2) to change or discontinue models, both without notice or obligation. See current full-line price book for finish options and product availability.

**81T201**

This spec was produced on June 26, 2025.