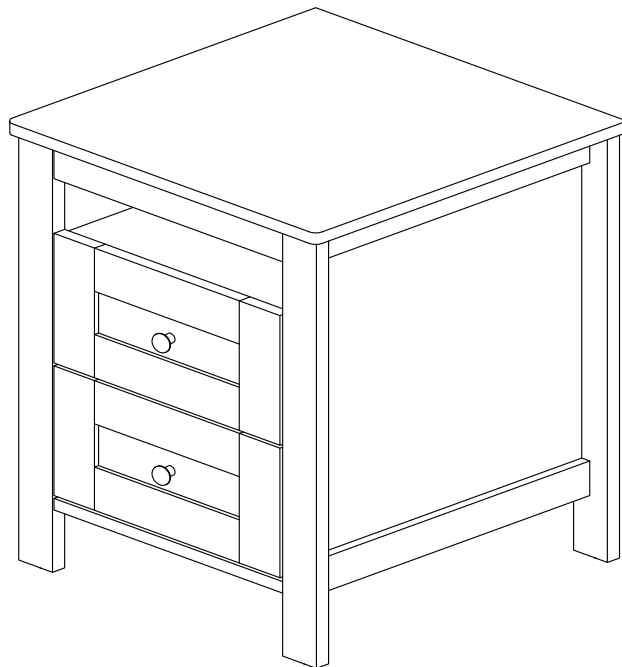
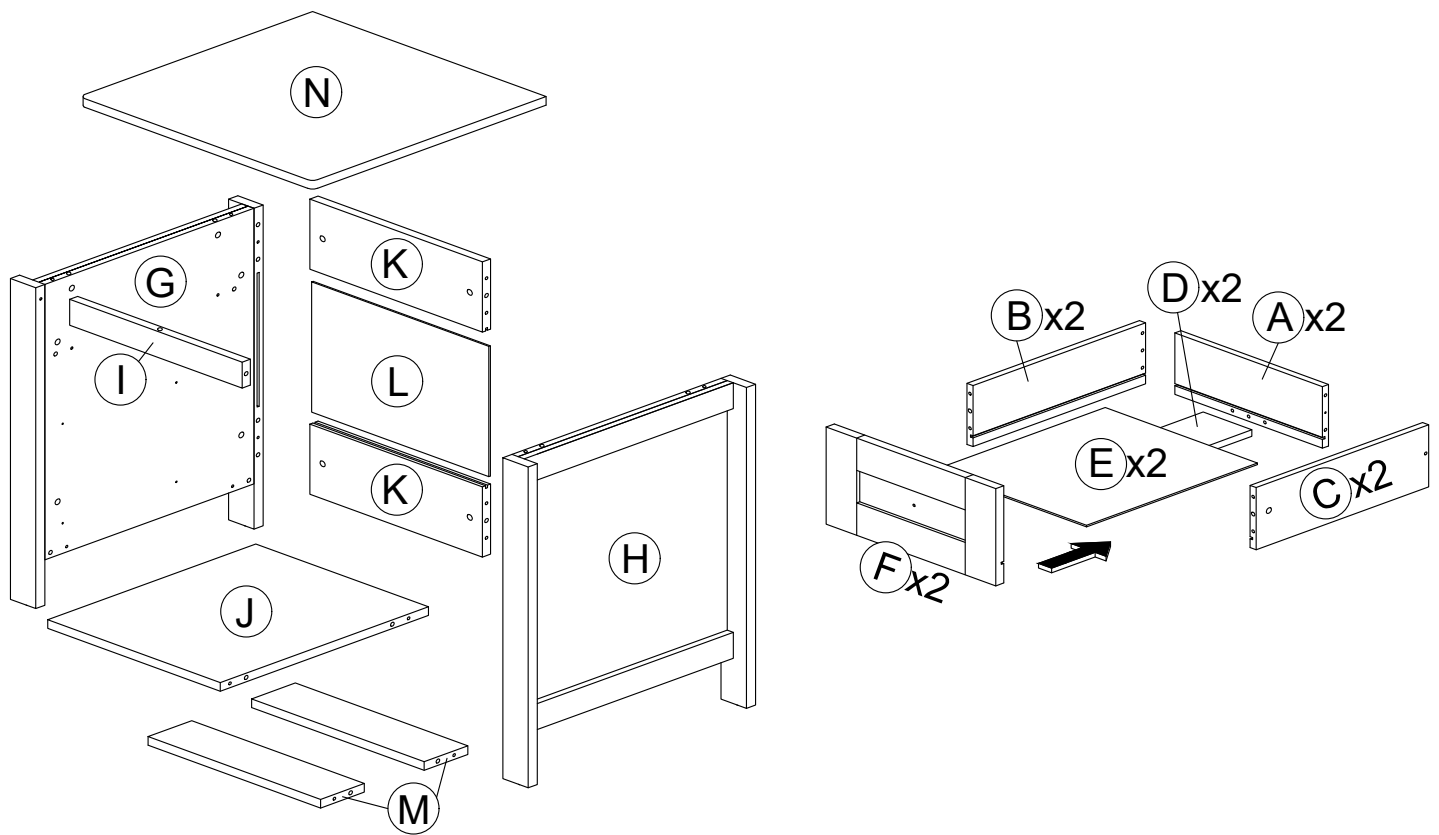


ASSEMBLY INSTRUCTION

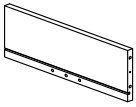
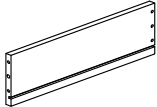
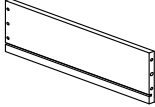
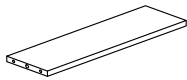
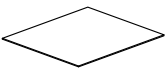
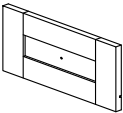
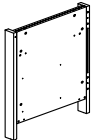
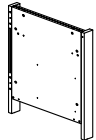
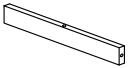
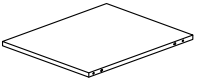
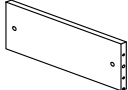
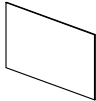
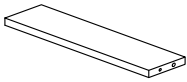
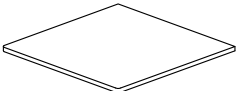


ASSEMBLY INSTRUCTION






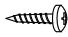




ASSEMBLY INSTRUCTION

PART LIST

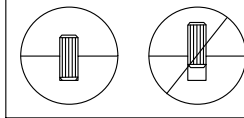
<p>A</p>  <p>Drawer Back 2 PCS</p>	<p>B</p>  <p>Drawer Side L 2 PCS</p>	<p>C</p>  <p>Drawer Side R 2 PCS</p>	<p>D</p>  <p>Drawer Support 2 PCS</p>
<p>E</p>  <p>Drawer Panel 2 PCS</p>	<p>F</p>  <p>Drawer Head 2 PCS</p>	<p>G</p>  <p>Side Panel L 1 PCS</p>	<p>H</p>  <p>Side Panel R 1 PCS</p>
<p>I</p>  <p>Front Support 1 PCS</p>	<p>J</p>  <p>Middle Panel 1 PCS</p>	<p>K</p>  <p>Back Panel Up/Down 2 PCS</p>	<p>L</p>  <p>Back Panel 1 PCS</p>
<p>M</p>  <p>Bottom Support 2 PCS</p>	<p>N</p>  <p>Top Panel 1 PCS</p>		

HARDWARE LIST

<p>1</p>  <p>Camlock 12MM 25 PCS</p>	<p>2</p>  <p>Camlock Bolt 12MM 25 PCS</p>	<p>3</p>  <p>M6x30MM Wood Dowel 44 PCS</p>	<p>4</p>  <p>CB Screw M3.5x12MM 24 PCS</p>
<p>5</p>  <p>M4x38MM Screw 6 PCS</p>	<p>6</p>  <p>PH Screw #8x16MM 2 PCS</p>	<p>7</p>  <p>Handle 209 2 PCS</p>	<p>8</p>  <p>Drawer Slide 12" 4 PCS</p>

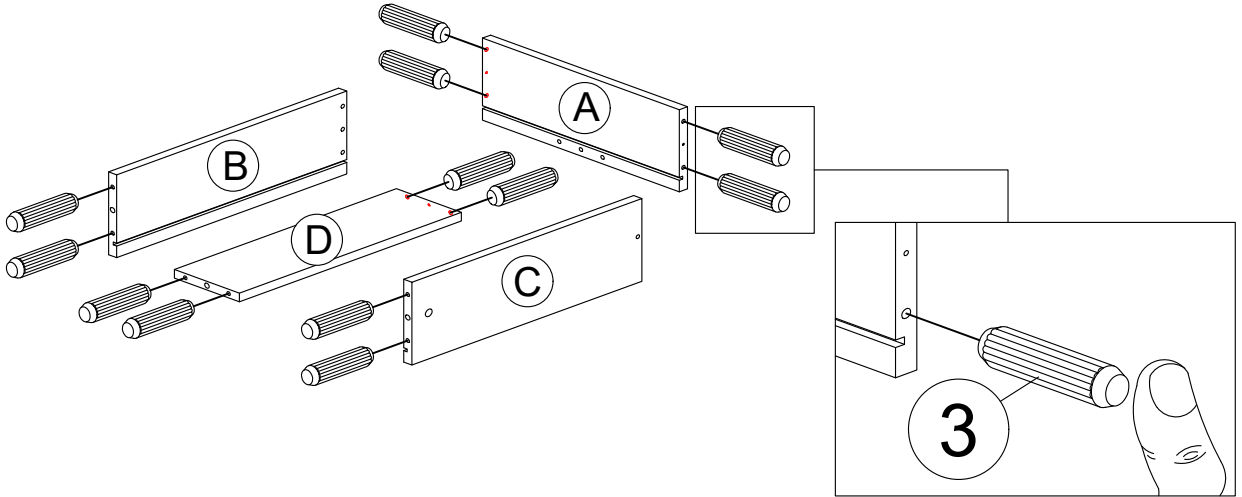
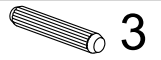
ASSEMBLY INSTRUCTION

Step 1



Required/Requis/Requerido

x24

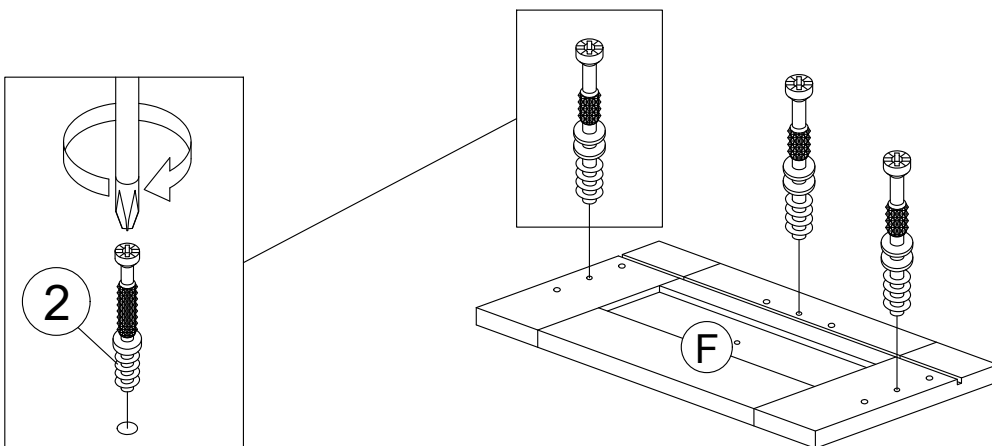


x2

Step 2

Required/Requis/Requerido

x6



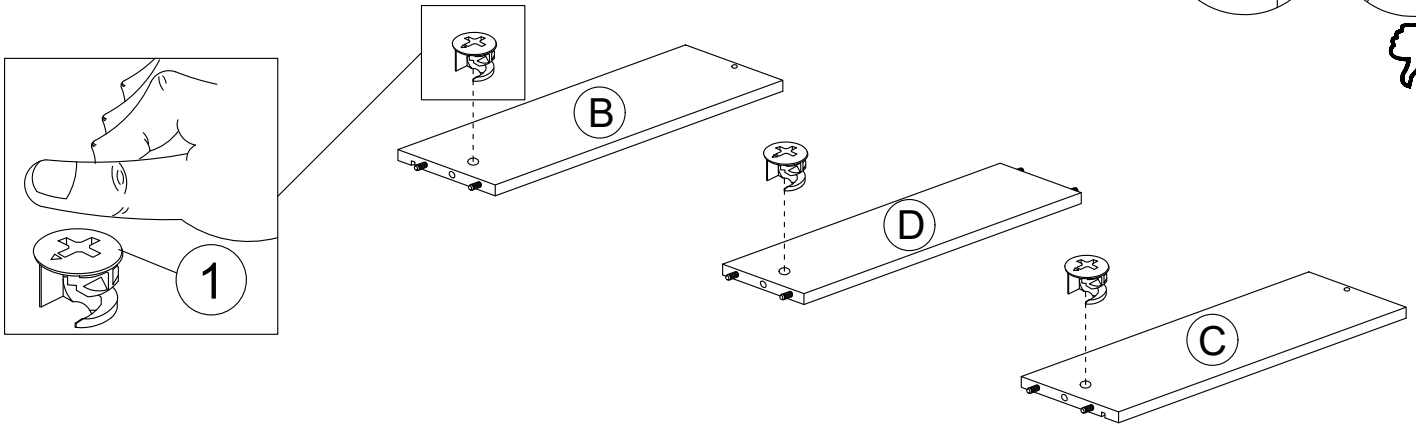
x2

ASSEMBLY INSTRUCTION

Step 3

Required/Requis/Requerido

x6

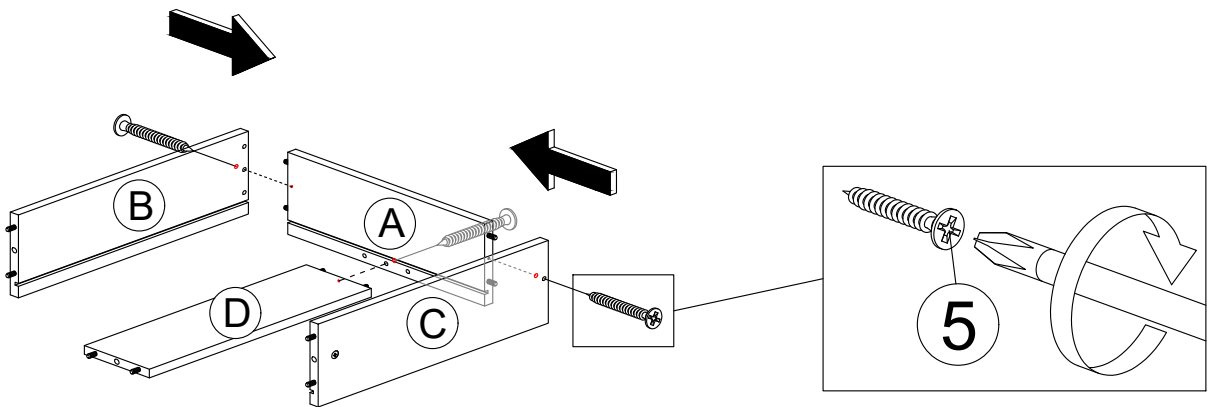


x2

Step 4

Required/Requis/Requerido

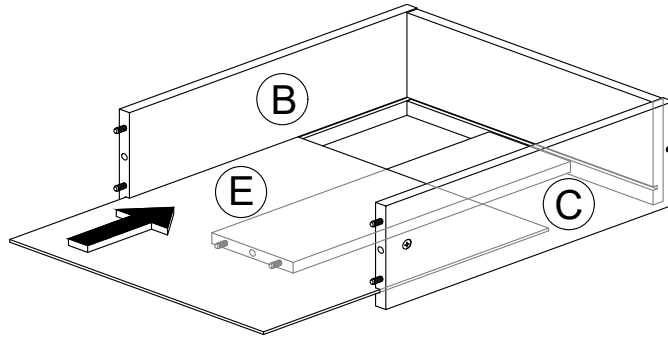
x6



x2

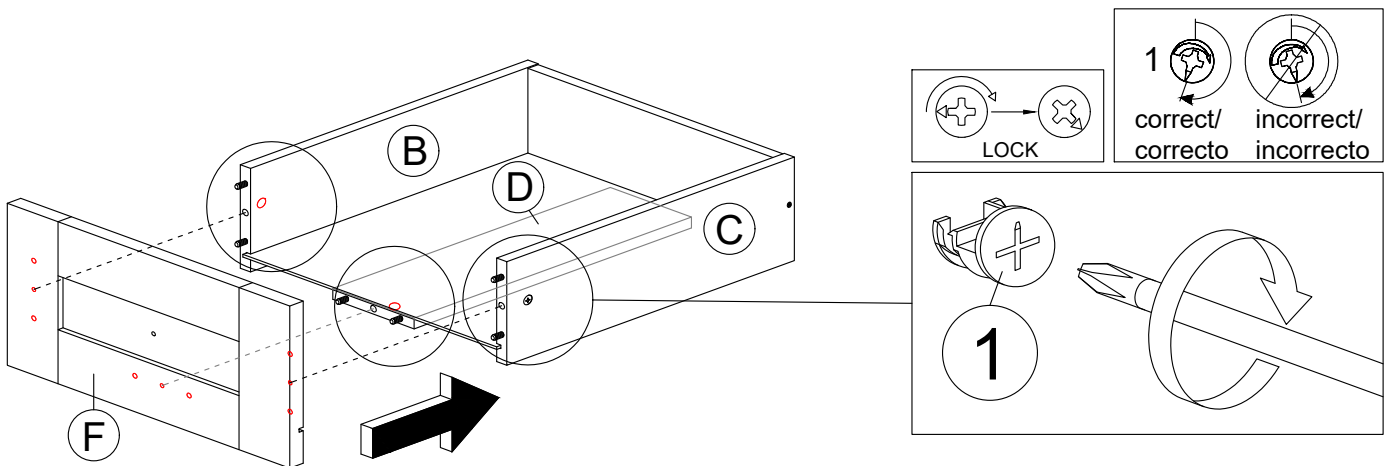
ASSEMBLY INSTRUCTION

Step 5



x2

Step 6





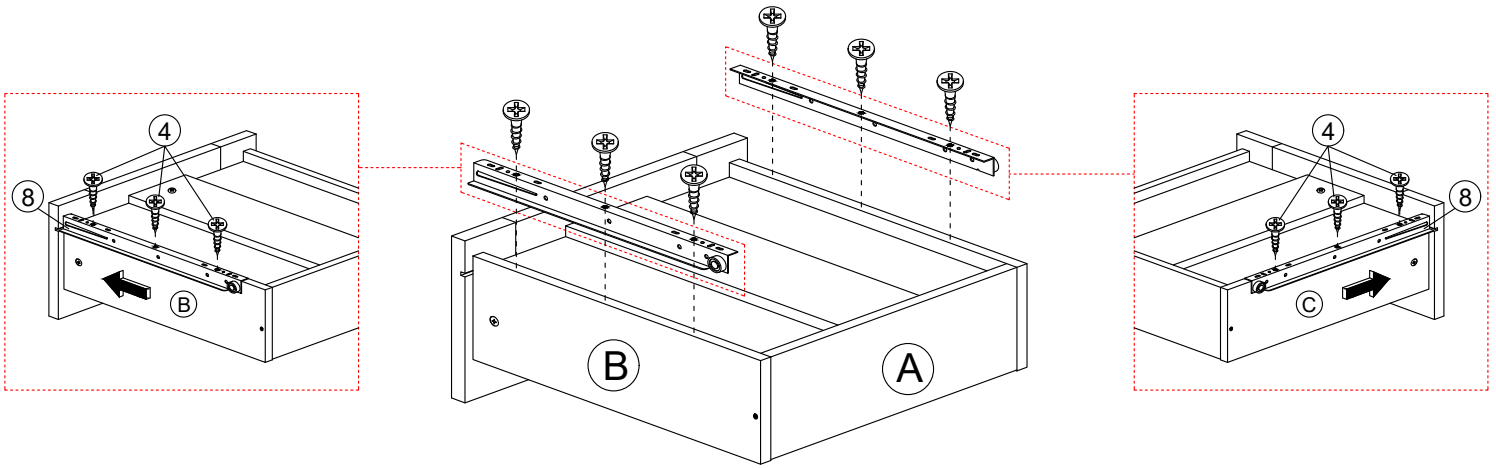
x2

ASSEMBLY INSTRUCTION

Step 7

Required/Requis/Requerido

x12	 4
x4	 8

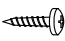



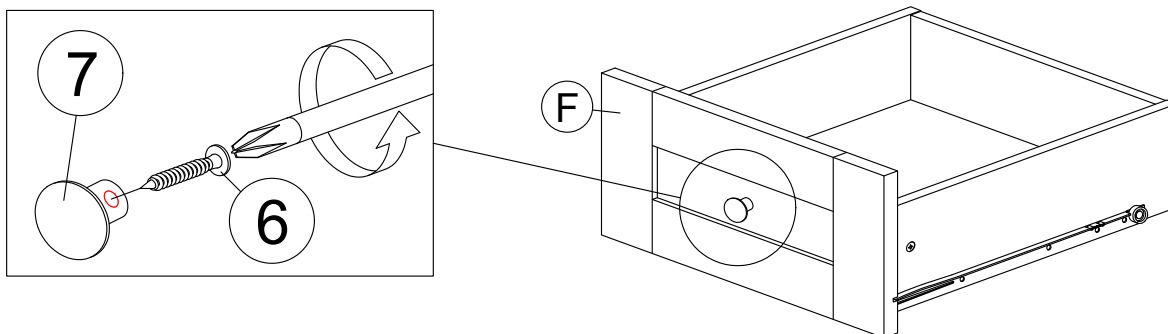
Bottom View

x2

Step 8

Required/Requis/Requerido

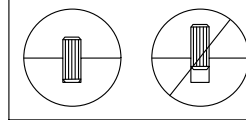
x2	 6
x2	 7



x2

ASSEMBLY INSTRUCTION

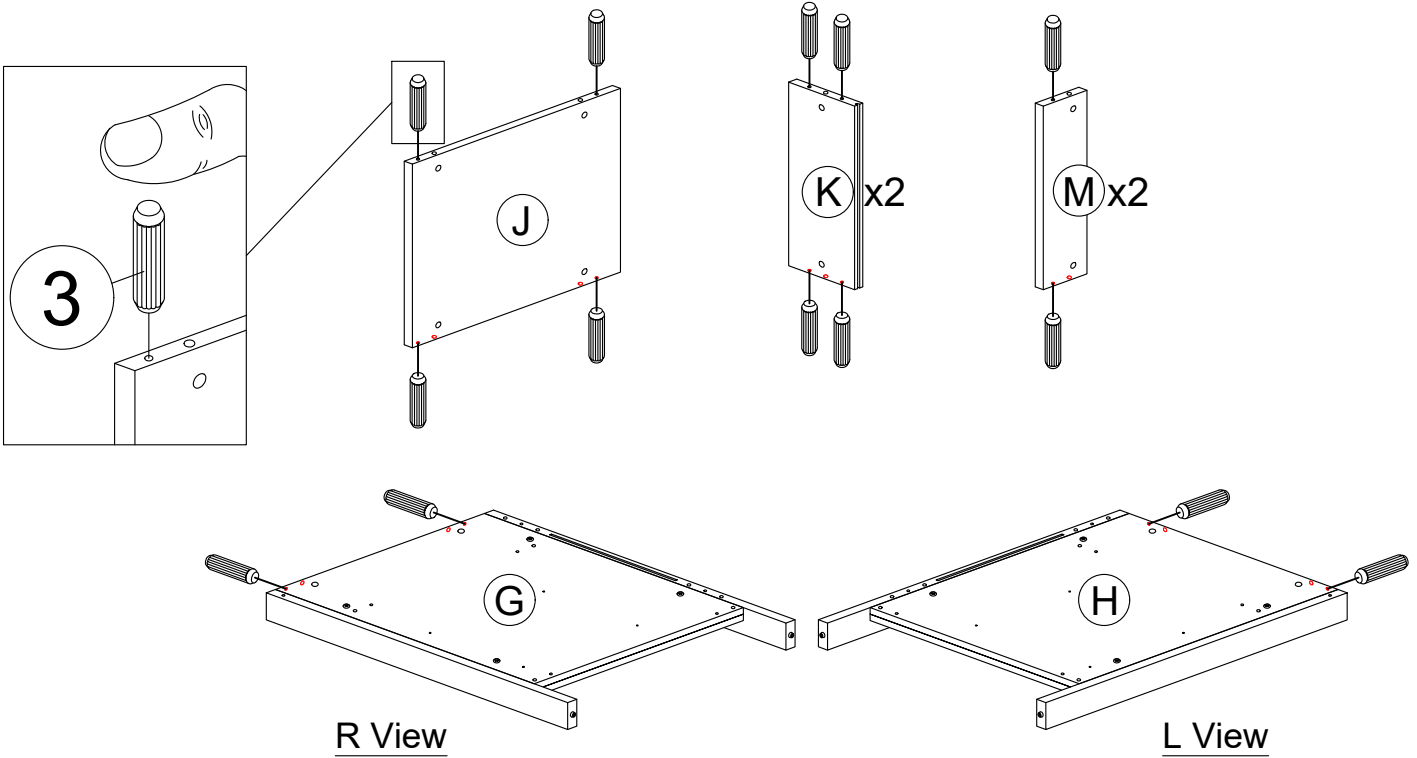
Step 9



Required/Requis/Requerido

x20

3

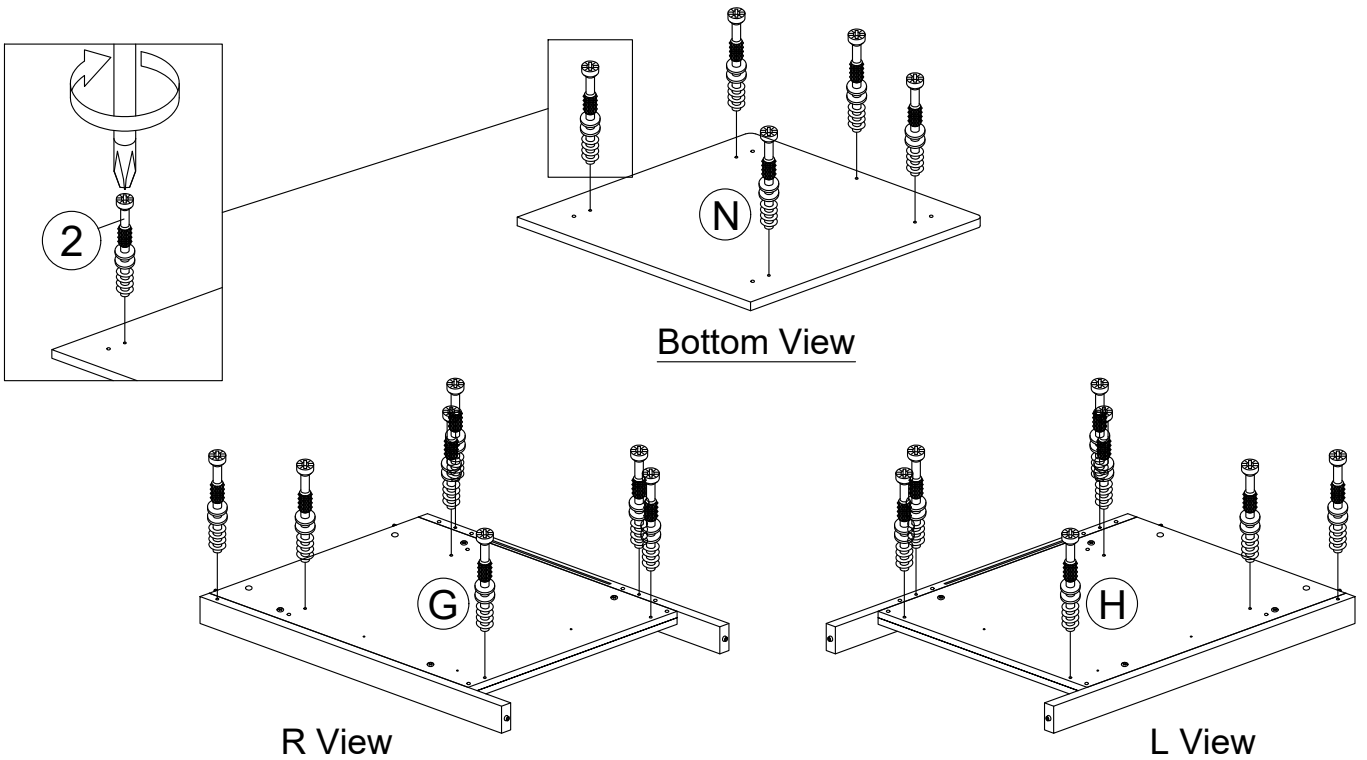


Step 10

Required/Requis/Requerido

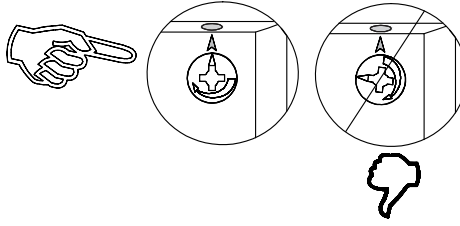
x19

2



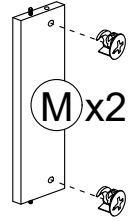
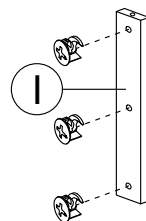
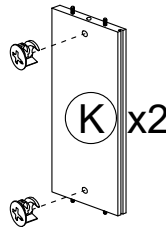
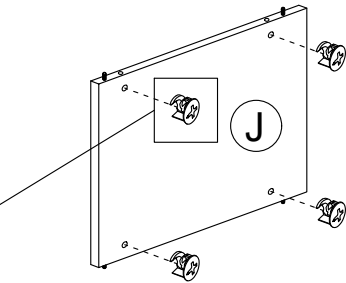
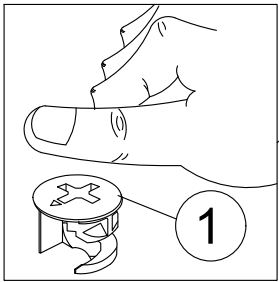
ASSEMBLY INSTRUCTION

Step 11

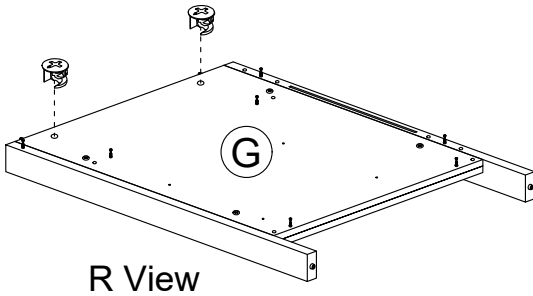


Required/Requis/Requerido

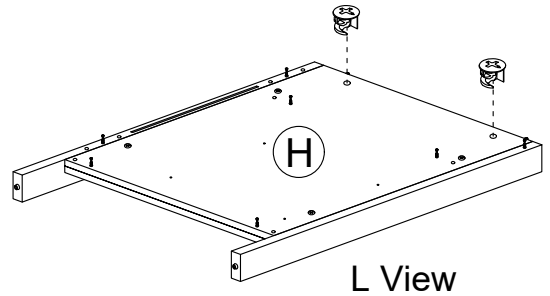
x19



Back View



R View



L View

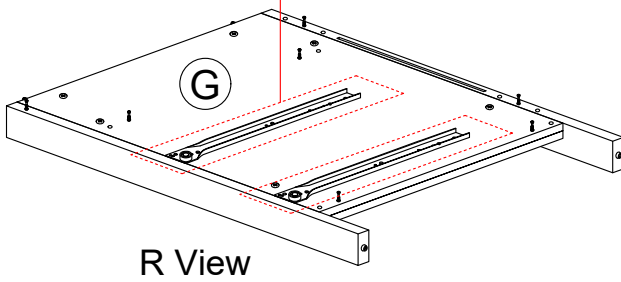
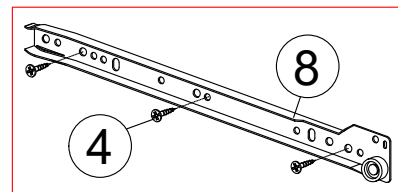
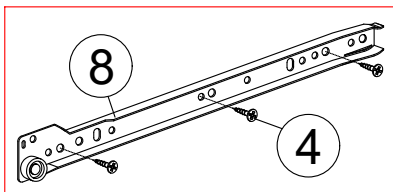
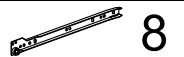
Step 12

Required/Requis/Requerido

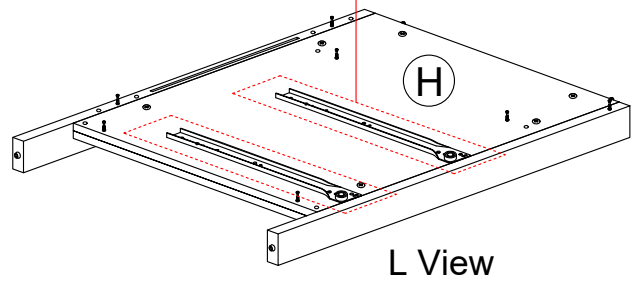
x12



x4



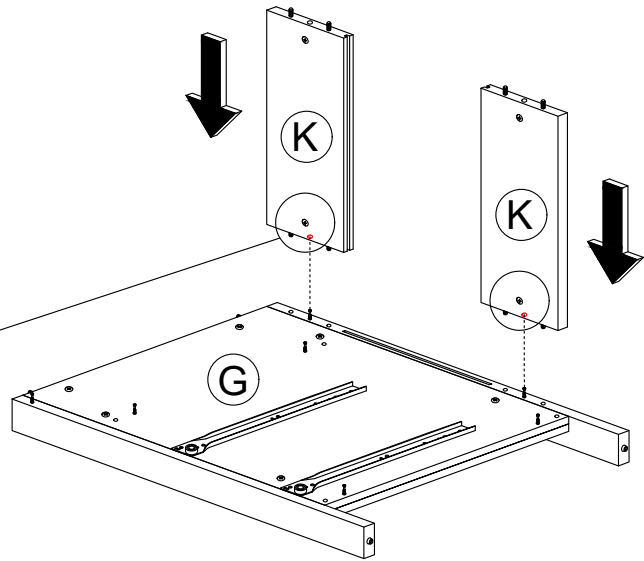
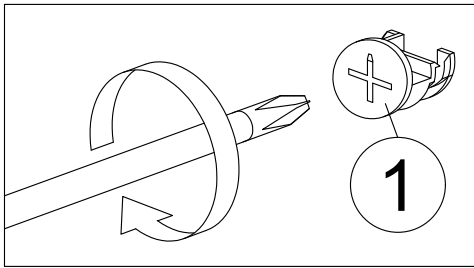
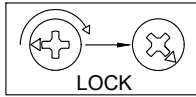
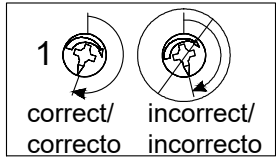
R View



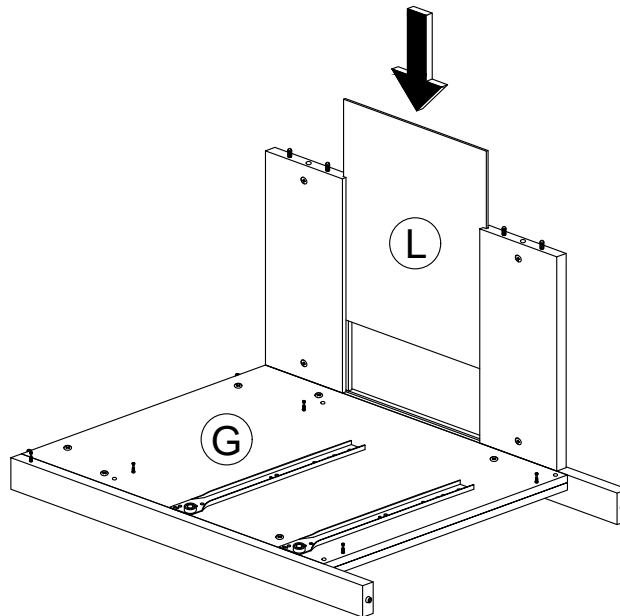
L View

ASSEMBLY INSTRUCTION

Step 13

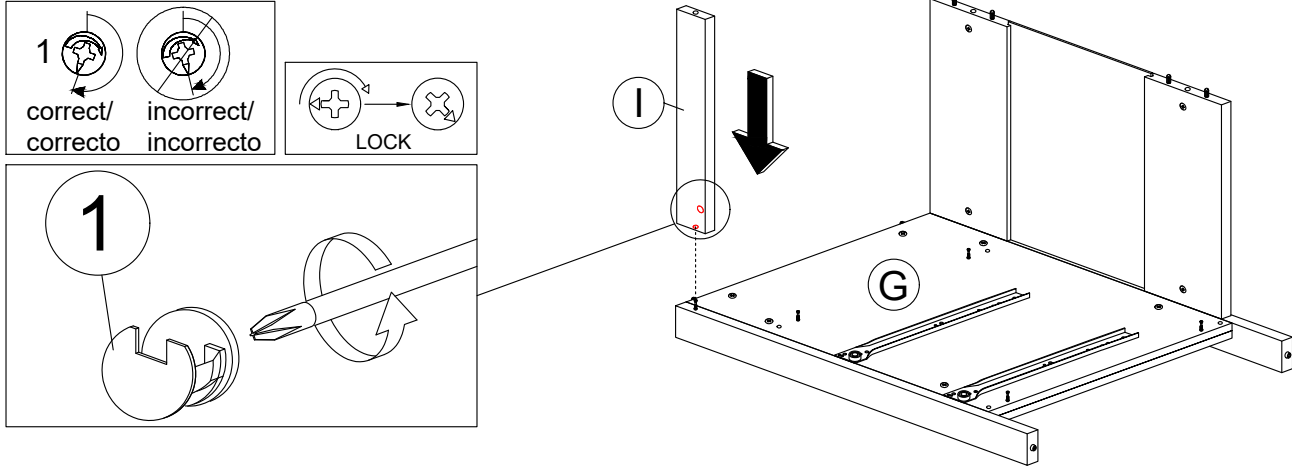


Step 14

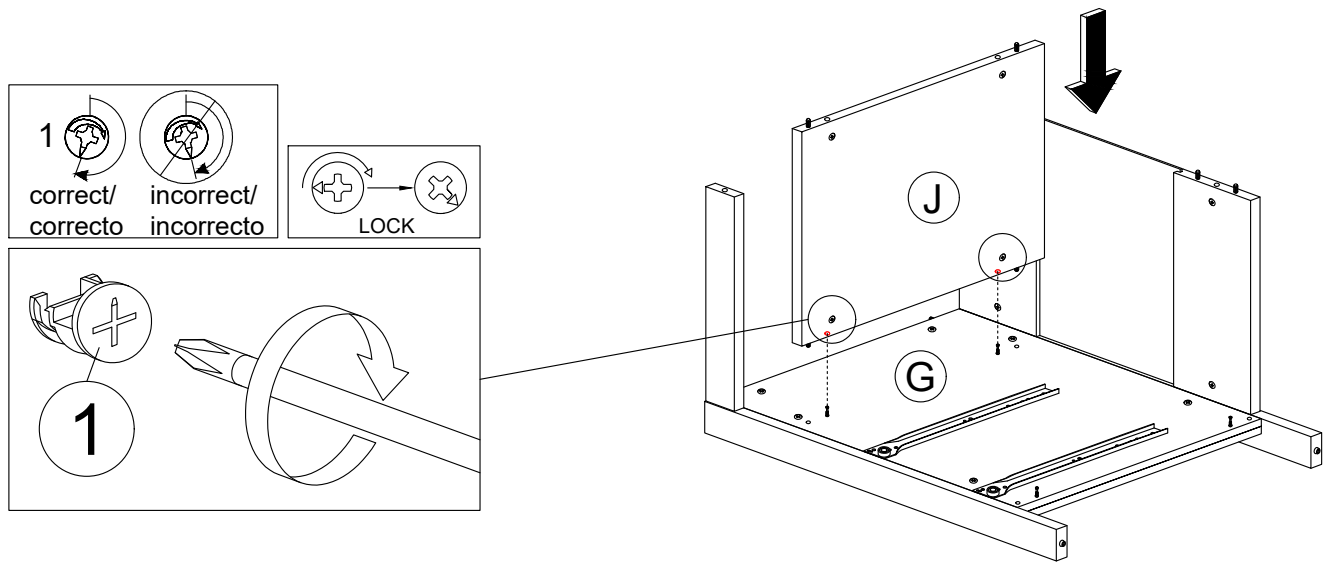


ASSEMBLY INSTRUCTION

Step 15

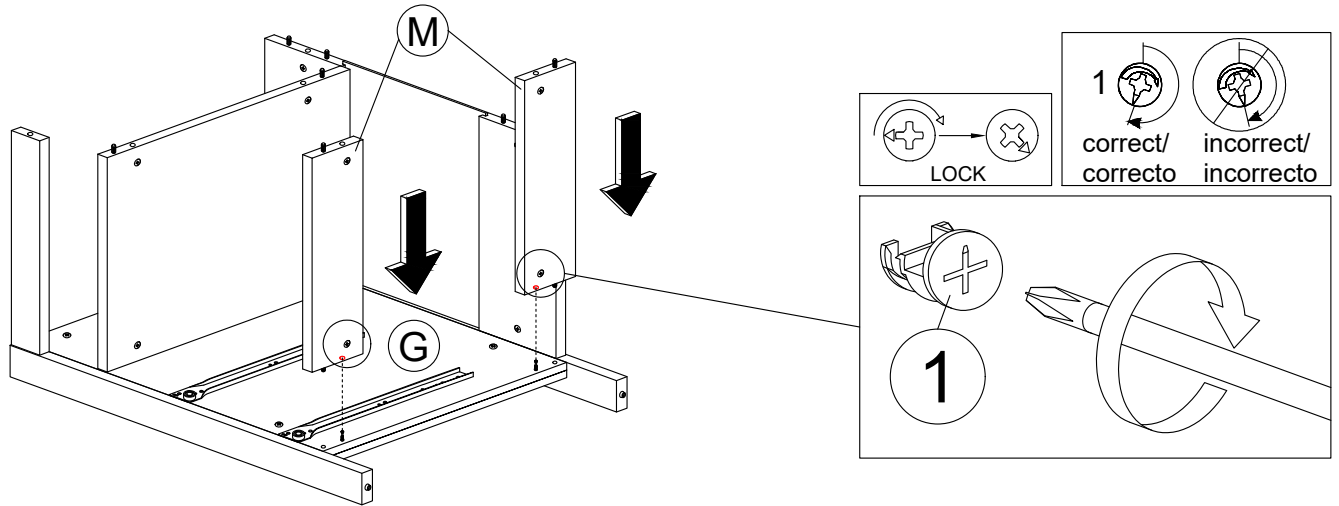


Step 16

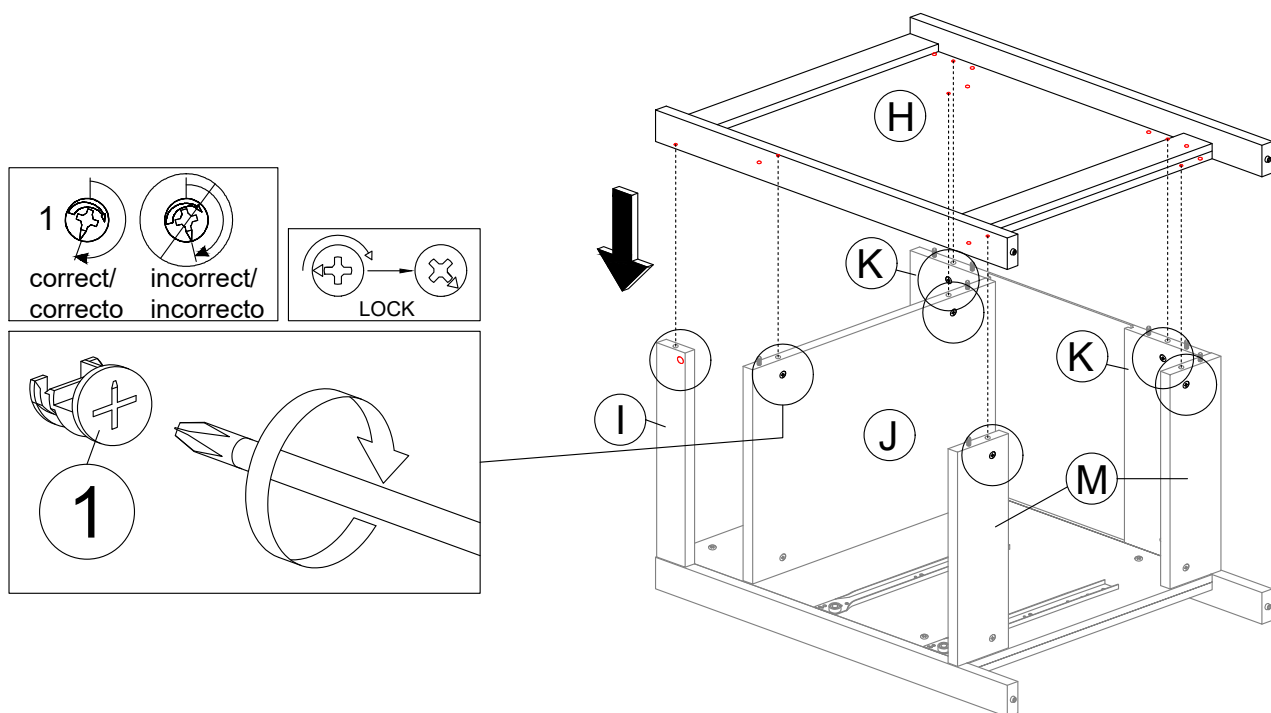


ASSEMBLY INSTRUCTION

Step 17

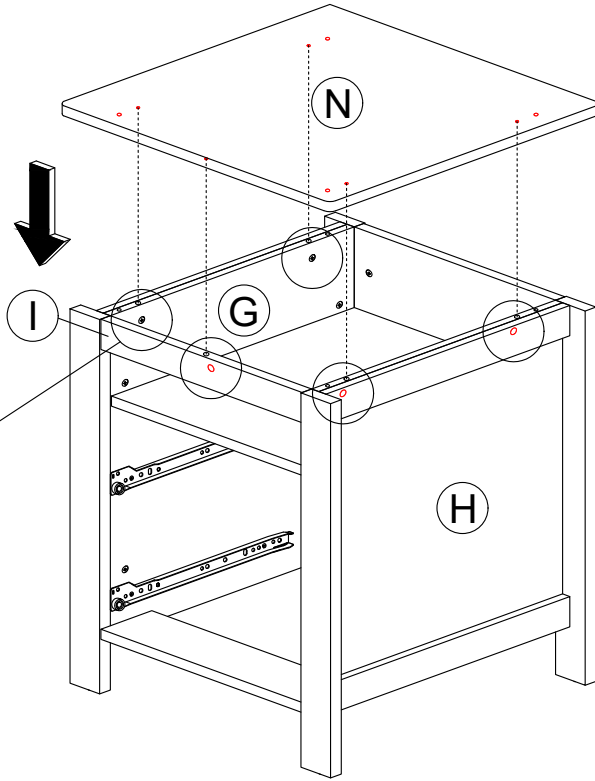
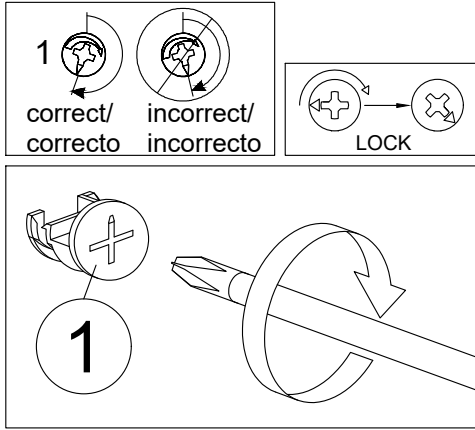


Step 18

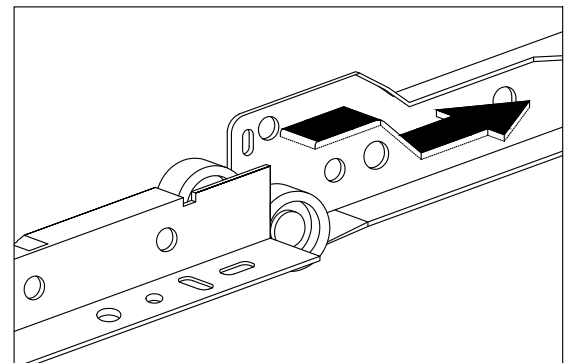
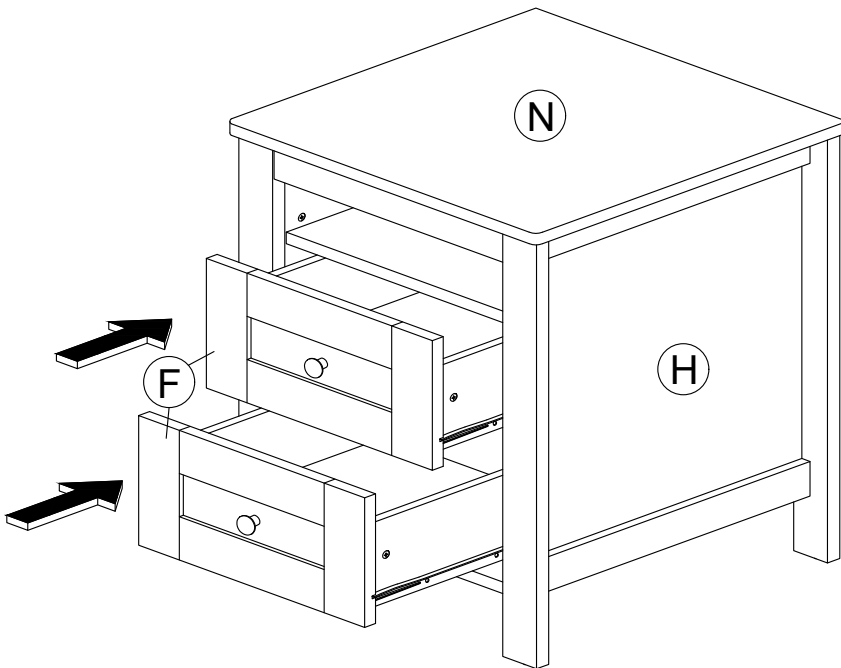


ASSEMBLY INSTRUCTION

Step 19



Step 20



ASSEMBLY INSTRUCTION

Complete

