

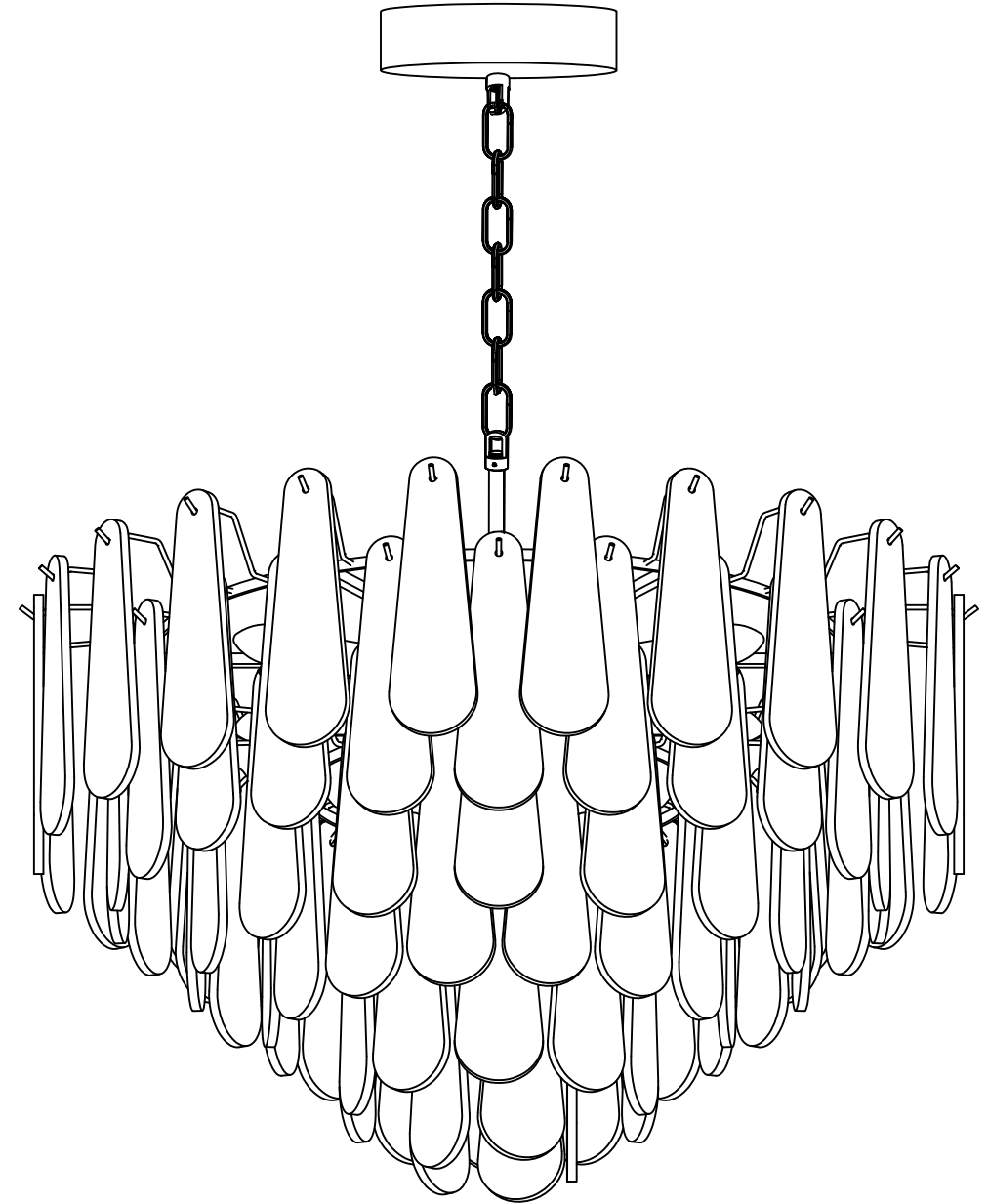
## Before Assembly:

- ★ Please carefully read all instruction steps.
- ★ Retain this manual for future reference.
- ★ Unpack and inventory all parts and hardware.
- ★ Read each step carefully and follow the correct installation sequence.
- ★ To avoid losing parts during assembly, we recommend not moving the fixture until assembly is complete.
- ★ Keep all small parts and packaging materials of this product away from infants and children, as they may cause serious injury.

### ★ Product Specifications:

**lamp holder : LED    Wattage : 50W (Single)    Color Temperature : 3000K**

# Installation Instructions



# Fittings list

A\*4



B\*3



C\*15



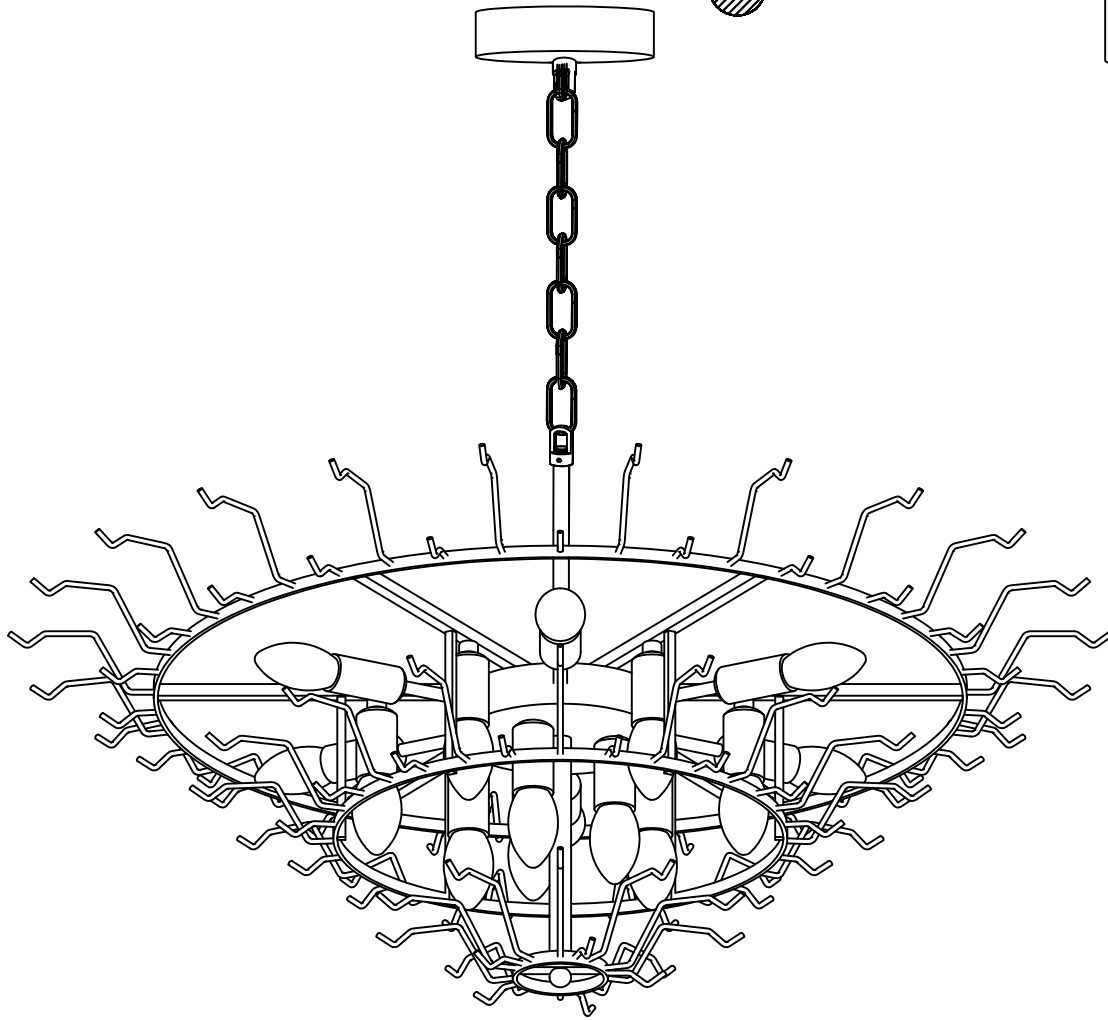
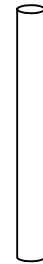
D\*89



E\*6



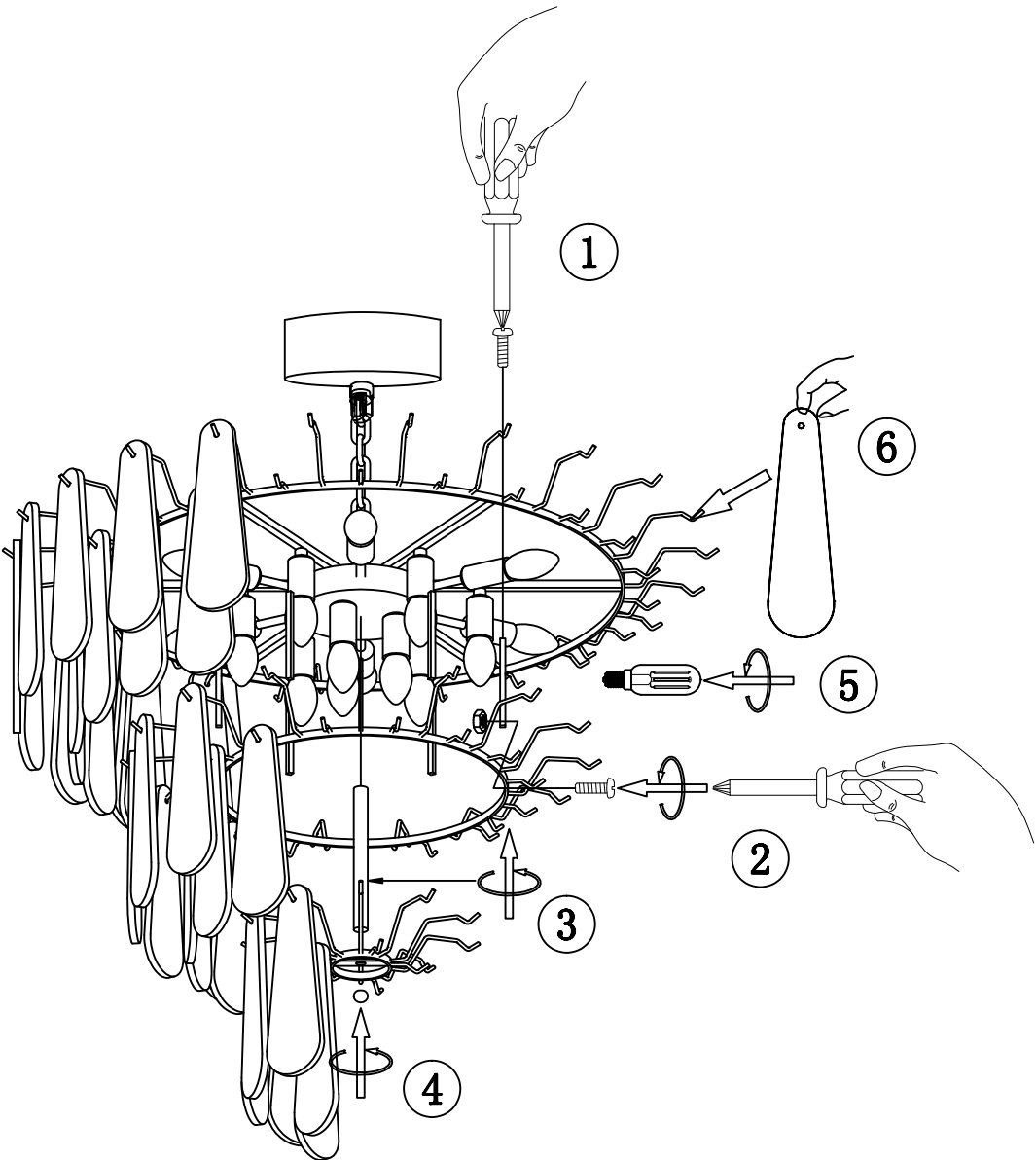
F\*1



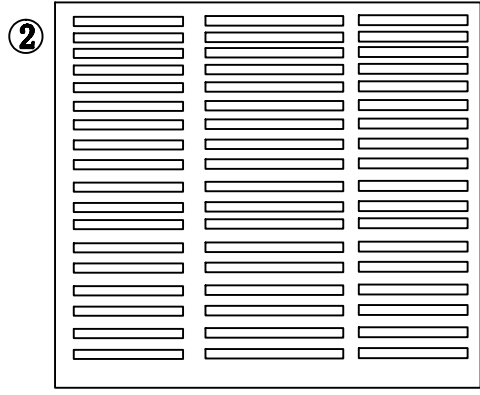
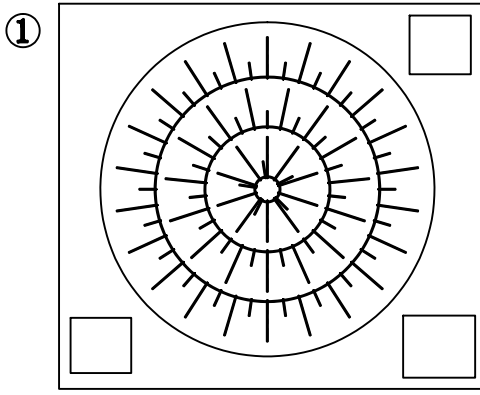
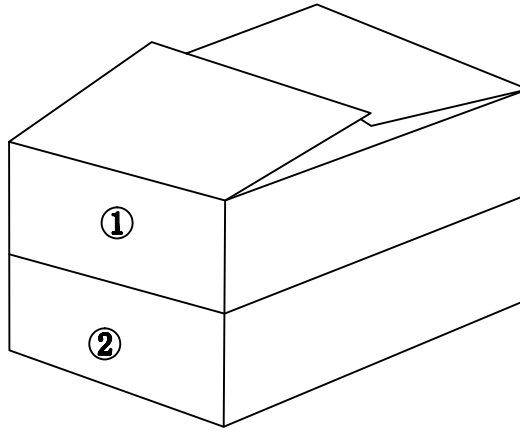
**Chandelier body\*1pcs**

# Alabaster piece assembly:

- (1) Hook the light body hanging ring with hanging chain movable buckle
- (2) Use screws to fix the square support from the top of the crossbar of the 1st layer of square tube.
- (3) Use screws to fix the square support from the holes on the side of the 2nd layer of flat iron ring
- (4) Fix the 3rd layer to the round tube with nuts.
- (5) Fix the E12 light source to the lamp head.
- (6) Try to light up the light source.
- (7) Hang the alabaster piece to the hooks of 1,2,3 layers.
- (8) Installation completed



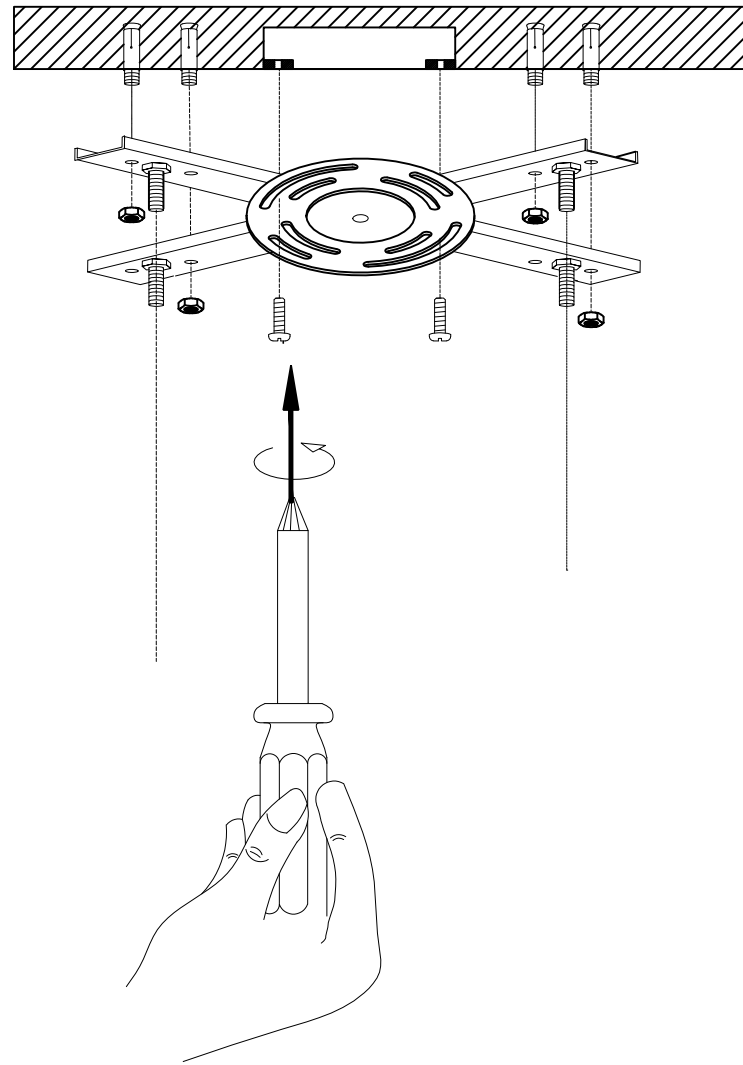
# Packaging Schematic



## Internal packing list:

- 1. The first layer of the lamp body main frame & accessories package
- 2. The second layer of lucite sheet

**Pegboard installation: take out the pegboard and fix it with screws on the ceiling where you need to install it.**



**Chandelier body installation:**

- 1. Take out the chandelier body**
- 2. Connect the main cable and power cable of the light body.**
- 3. Fix the ceiling cover to the hanging board with the hanging chain, and hook the hanging chain with the movable buckle.**
- 4. Adjust the height of the hanging chain**

