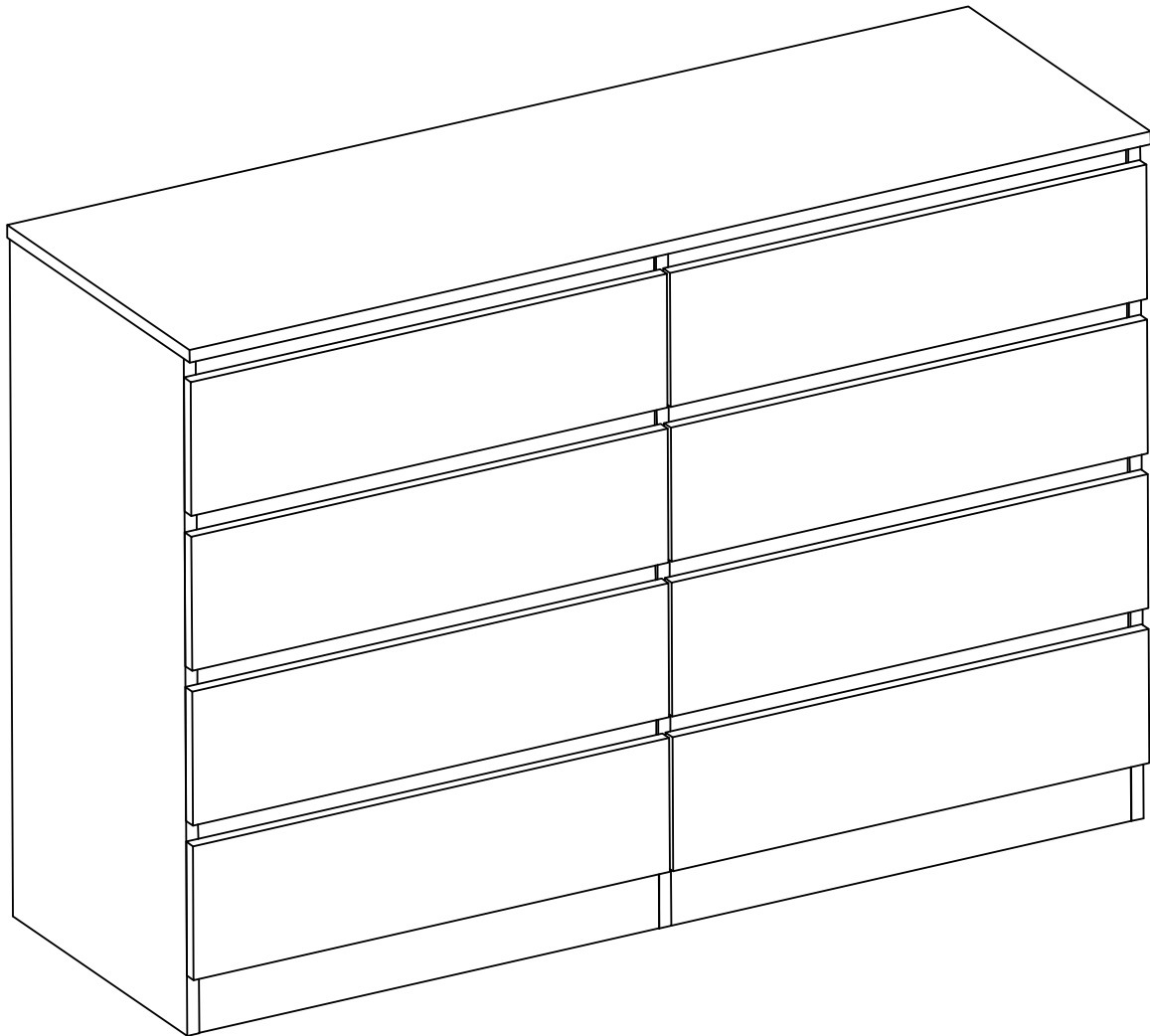
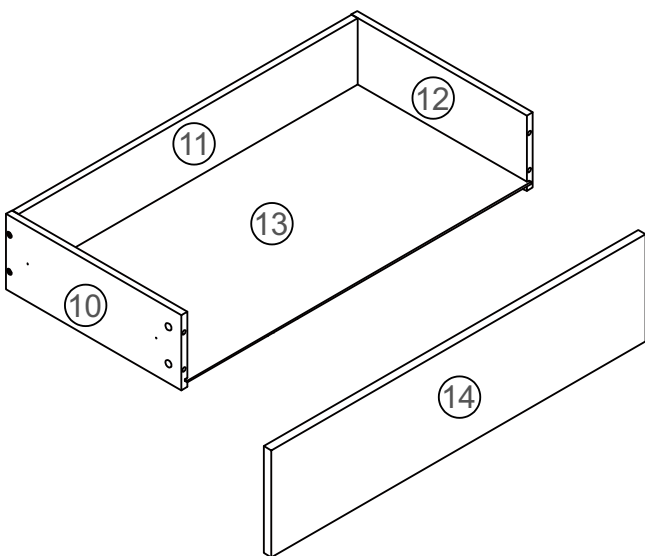
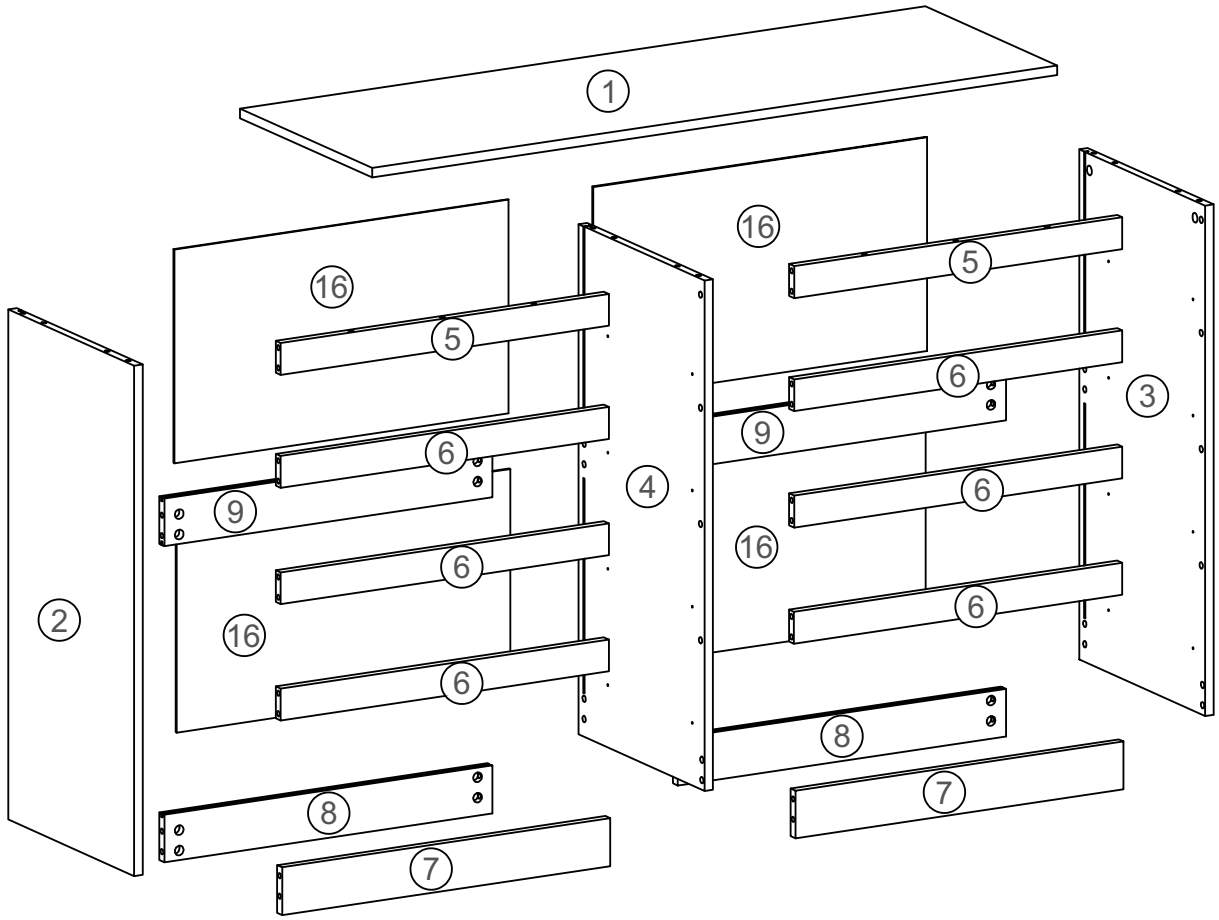


# Multifunctional storage

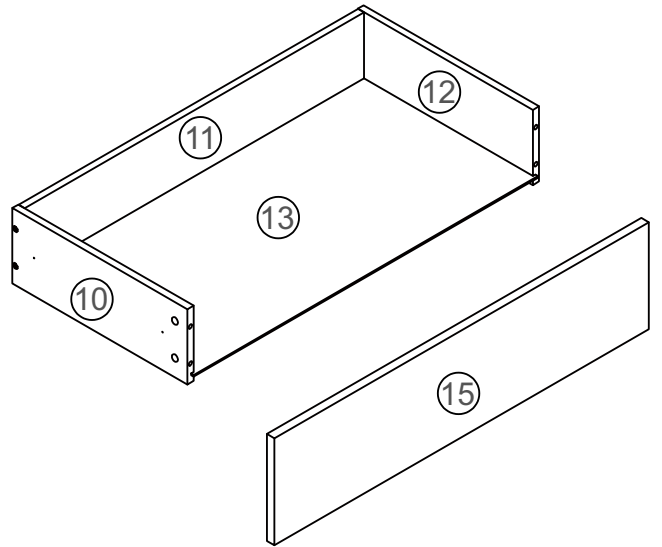
## Assembly Instructions



# Parts List

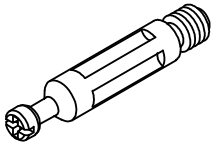


**x 4**

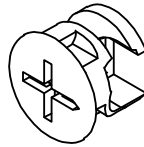


**x 4**

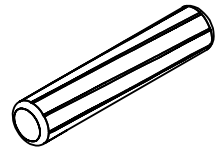
# Hardware



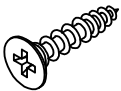
A x 84sets



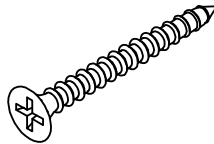
15X9.5MM  
B x 84sets



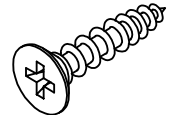
8X30MM  
C x 17sets



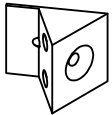
3.5X12MM  
D x 65sets



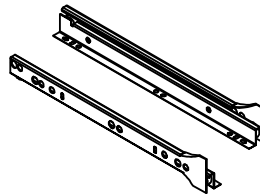
3.5X35MM  
E x 33sets



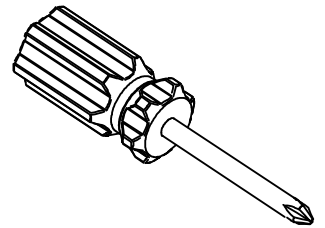
3.5X14MM  
F x 25sets



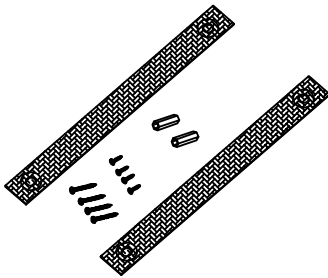
G x 25sets



300MM  
H x 8sets

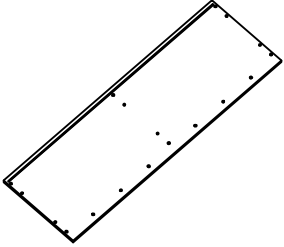
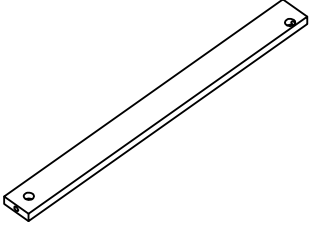
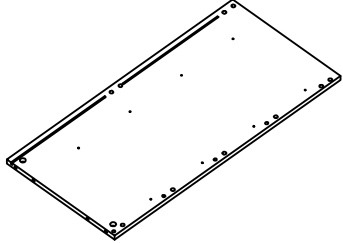
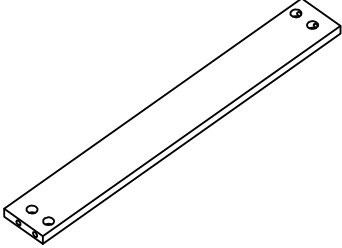
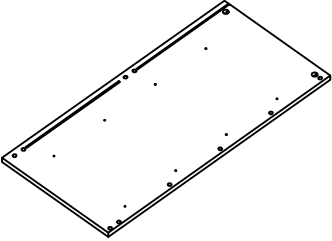
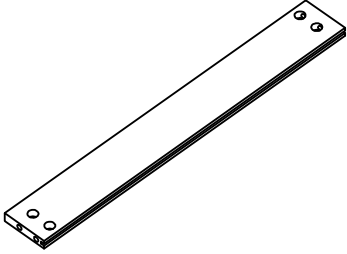
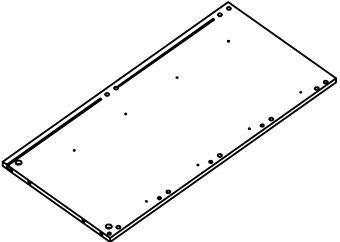
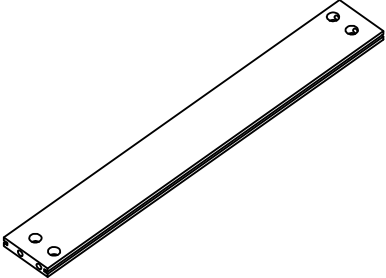
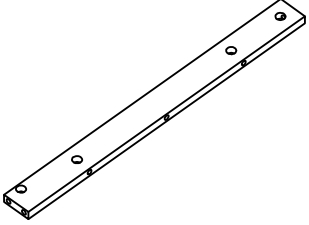
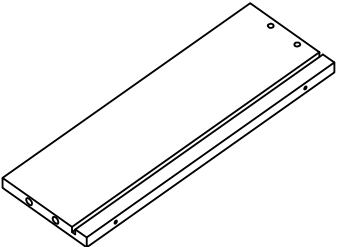


I x 1sets

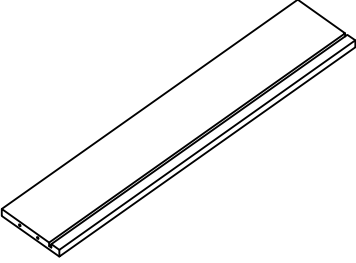
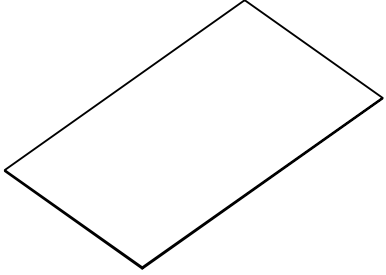
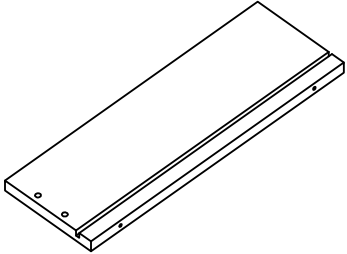
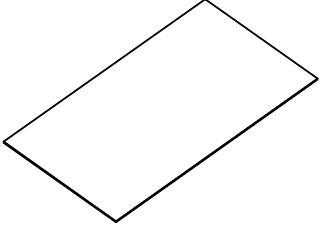
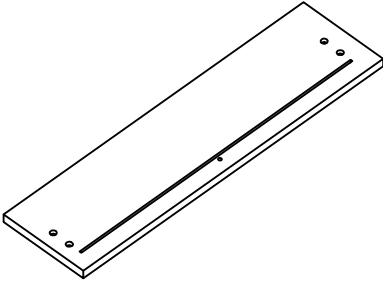
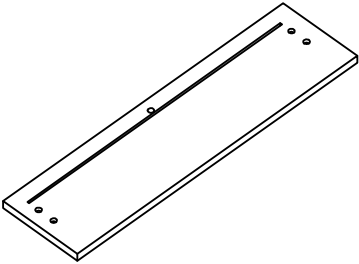


J x 1sets

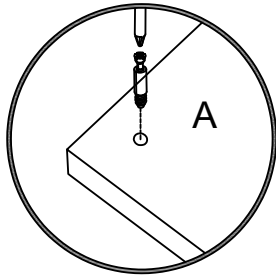
# ASSEMBLY MATERIAL

Item NO.	Reference Image	Qty.	Item NO.	Reference Image	Qty.
①		X1	⑥		X6
②		X1	⑦		X2
③		X1	⑧		X2
④		X1	⑨		X2
⑤		X2	⑩		X8

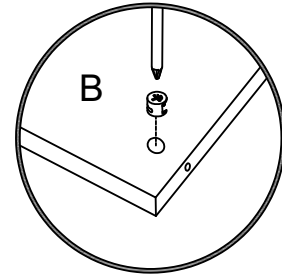
# ASSEMBLY MATERIAL

Item NO.	Reference Image	Qty.	Item NO.	Reference Image	Qty.
11		X8	16		X4
12		X8			
13		X8			
14		X4			
15		X4			

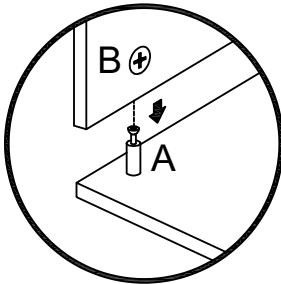
# How to use the cam lock system



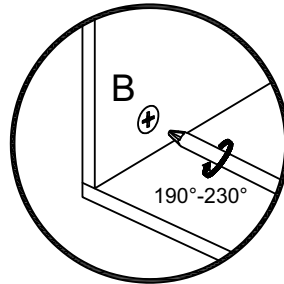
1. Screw cam bolt into panel



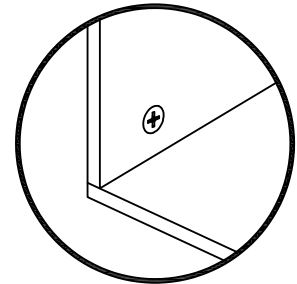
2. Push cam into panel - arrow feature on cam top points to panel edge



3. Align cam bolt(s) with cam(s) and insert all the way into cross-bored hole(s)

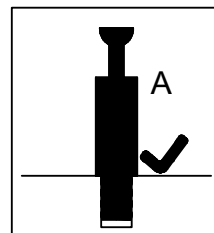
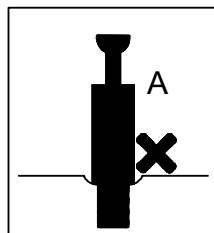
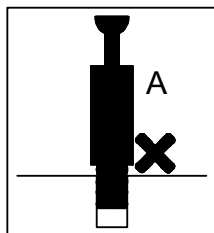
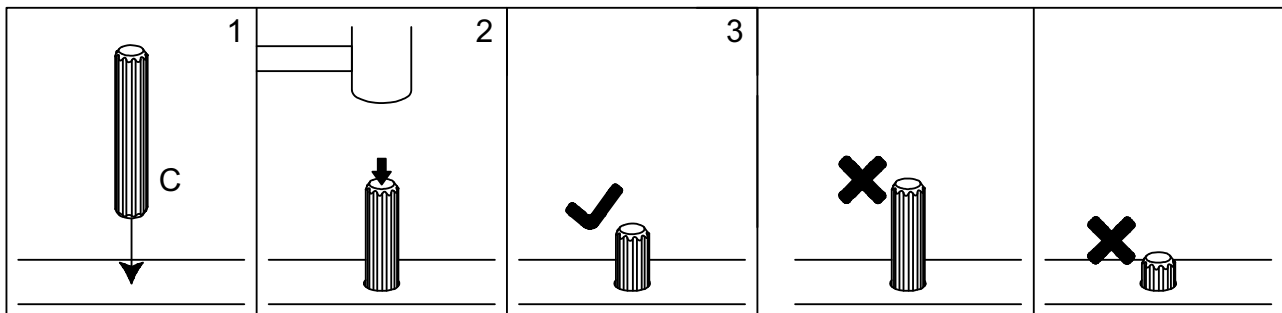


4. Rotate cam(s) clockwise 190°-230° to lock panels together



5. Panels should be tight against each other and connection should be rigid

Insert the wood dowel [C] at least half way by tapping lightly with a rubber mallet, IF NECESSARY.



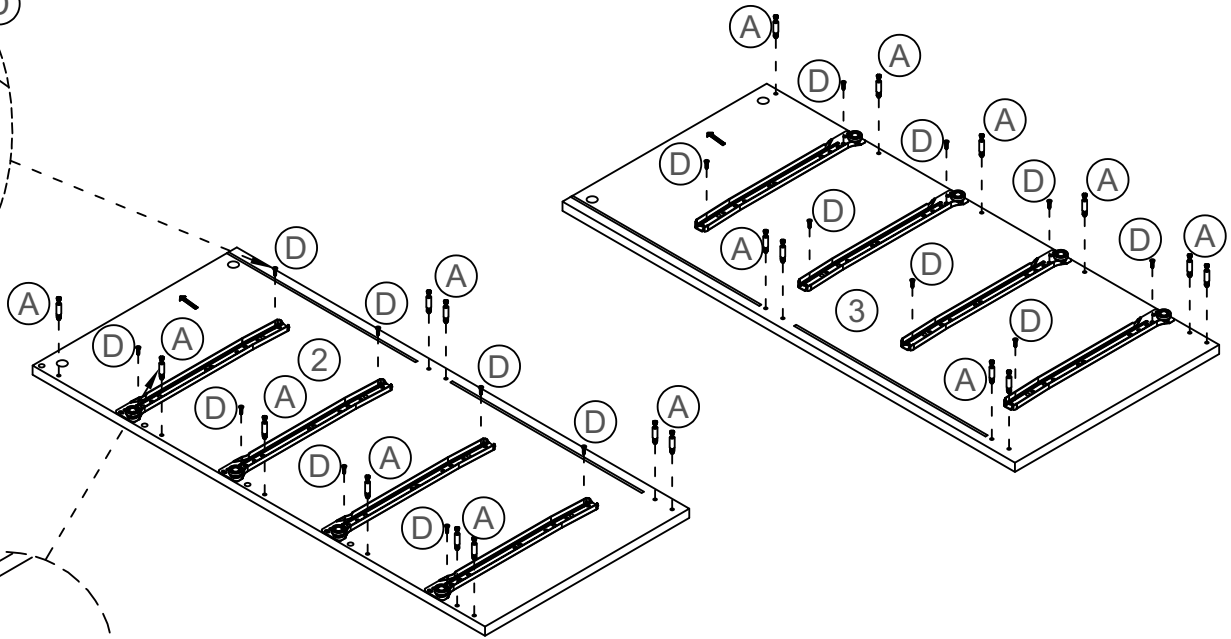
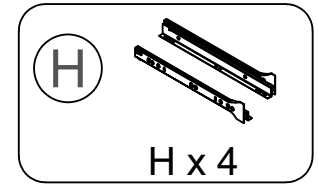
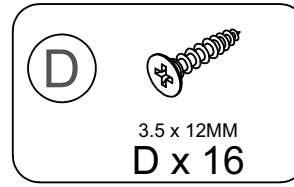
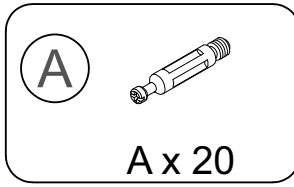
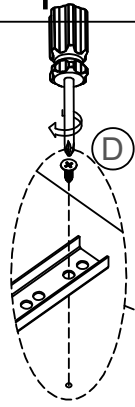
Unit must be placed on a level surface or leveled with included hardware (when applicable).  
 Do not sit or stand on or allow children to climb, sit or stand on the assembled product.  
 For safety reasons, it is imperative that this unit be mounted to the wall.  
 Do not use without installing the tip restraint.  
 Unit can tip over causing severe injury or death.  
 Do not exceed the recommended weight limits.  
 Evenly distribute the weight on each level and always keep the heavier loads on the bottom.  
 Before cutting, drilling or hammering into any wall or floor surface, verify the location of electrical, plumbing and gas lines. Cutting may cause serious injury.

## Ready to assemble the Multi-purpose lockers

Before installation, observe each structure of the Multi-purpose lockers. The Multi-purpose lockers consists of two main parts. You will assemble the chest first, and then install the eight drawers. Finally, look at the finished look, and contrast list of part, imagine how to install it faster, hope this will help you.

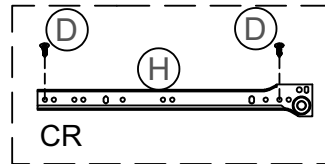
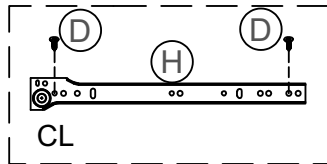


# Step 1



Install First rail on the left side of board.

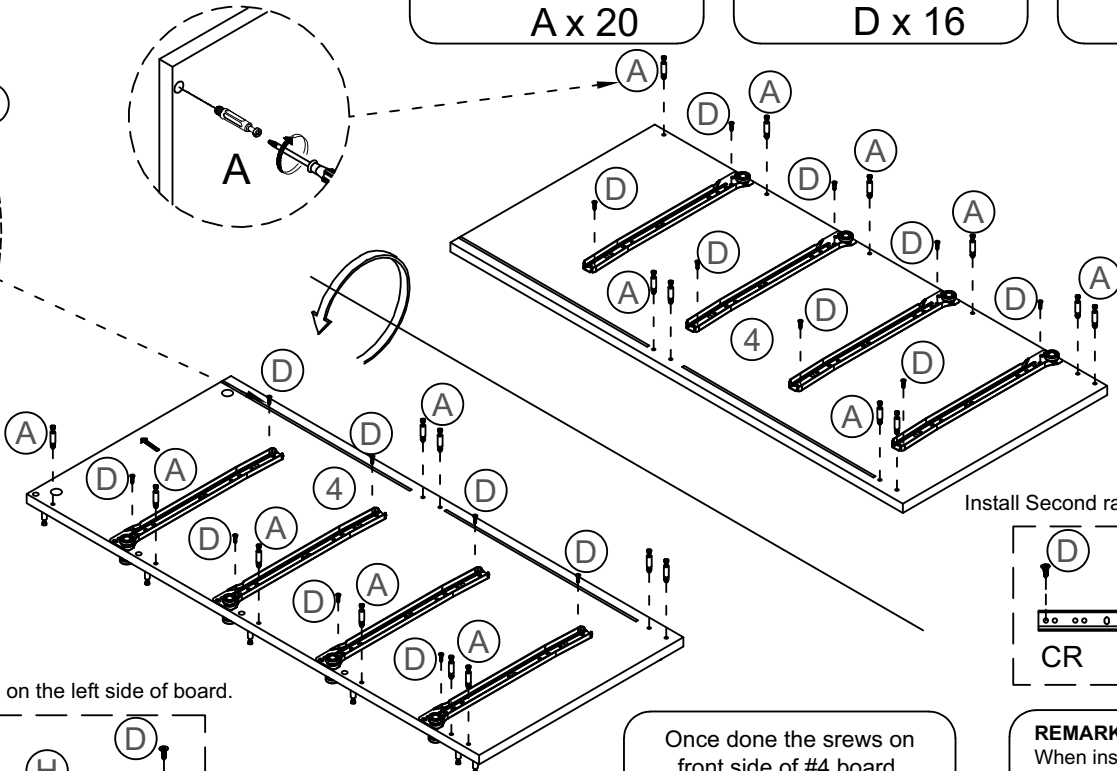
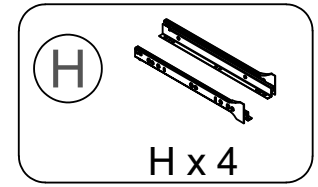
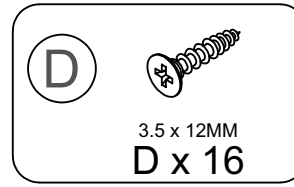
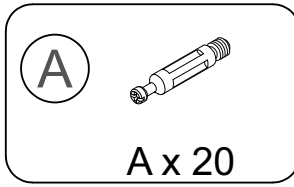
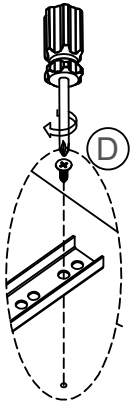
Install Second rail on the right side of board.



**REMARK:**

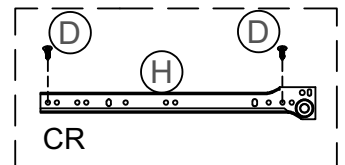
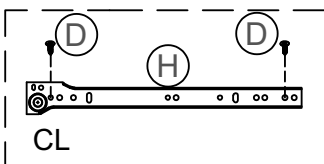
When installing, please make sure the screws are flattened, Not crooked; Otherwise the drawers will not be installed perfectly.

# Step 2



Install First rail on the left side of board.

Install Second rail on the right side of board.




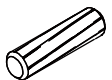
Once done the screws on front side of #4 board, please flip over it to back side to screw slides.(Only one board #4.)

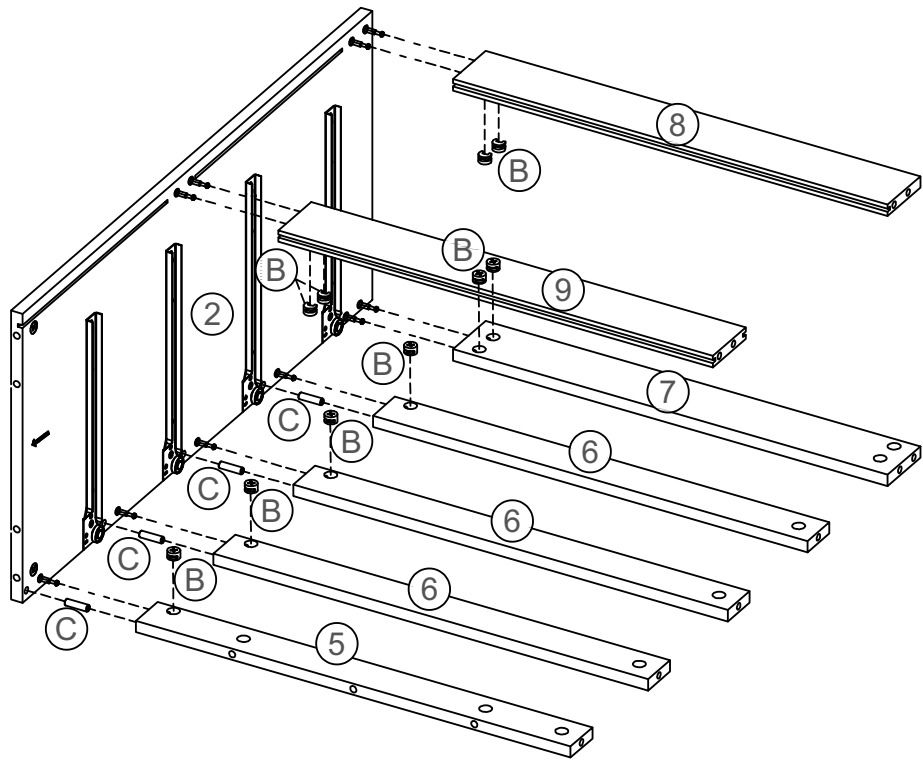
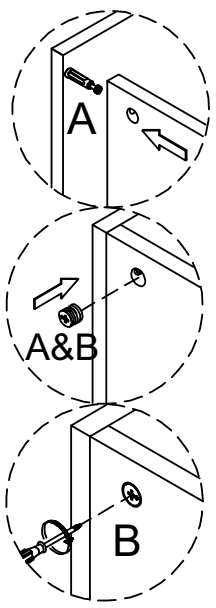
**REMARK:**

When installing, please make sure the screws are flattened, Not crooked; Otherwise the drawers will not be installed perfectly.


# Step 3

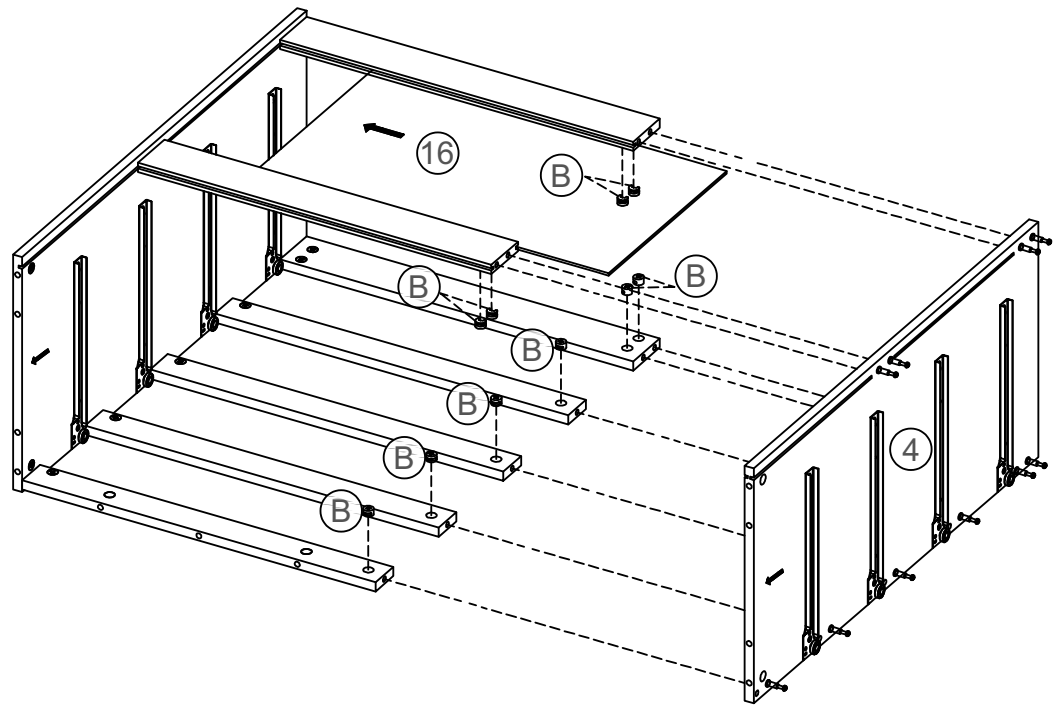
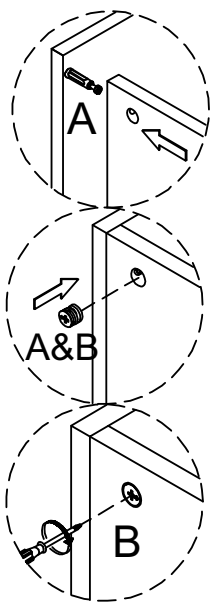
**(B)**   
B x 10

**(C)**   
8 X 30MM  
C x 4




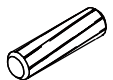
# Step 4

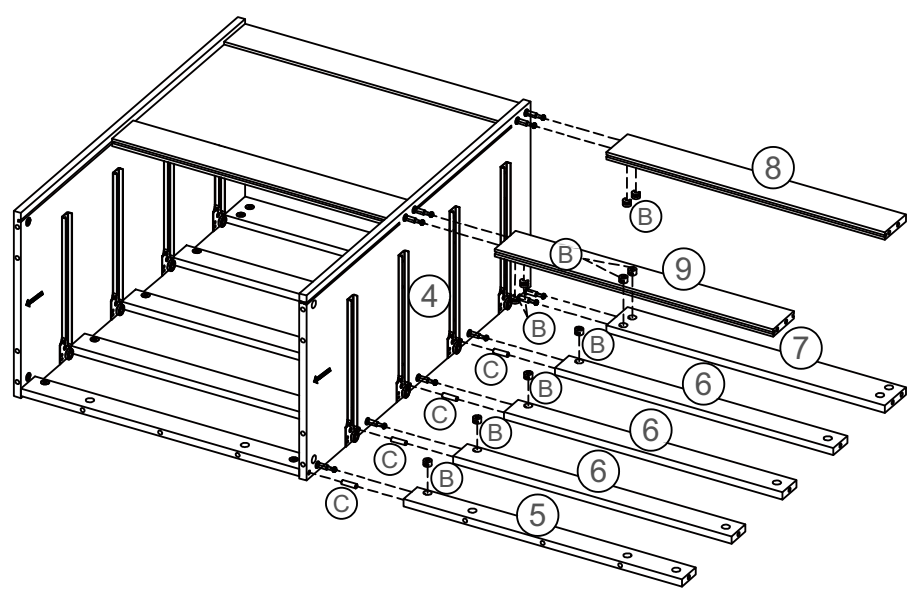
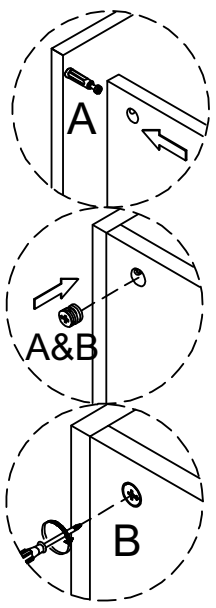
**(B)**   
B x 10




# Step 5

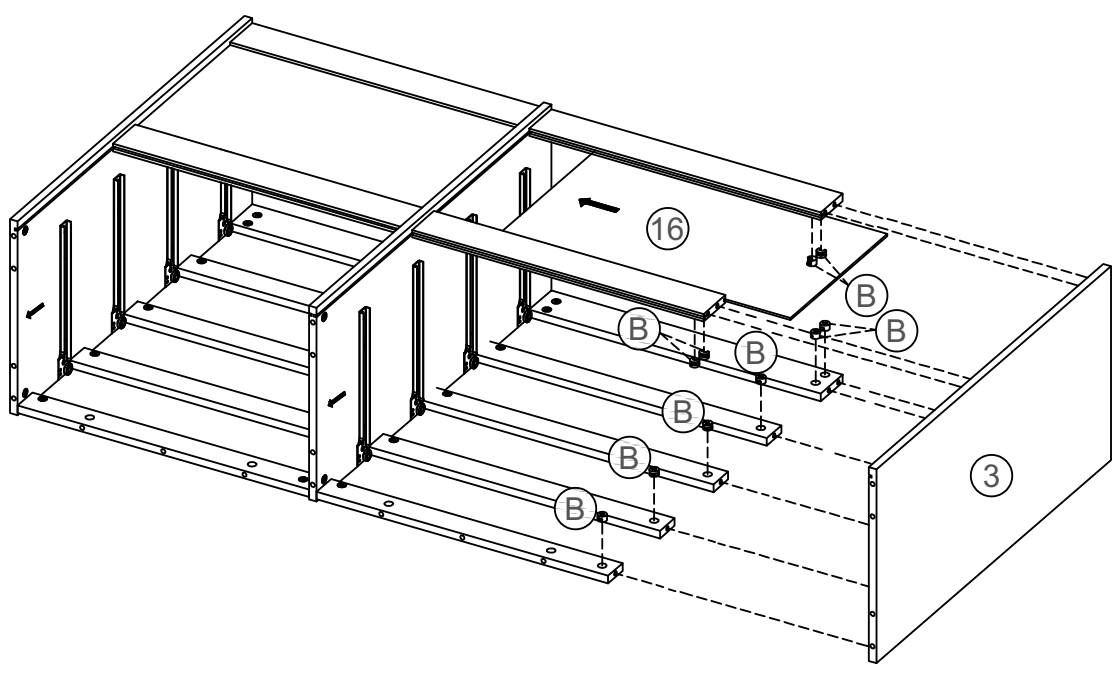
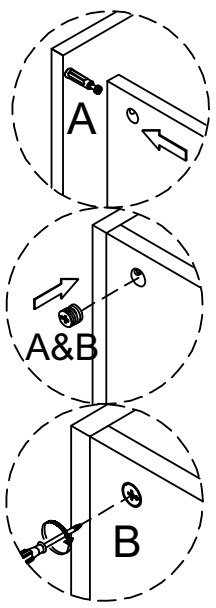
**(B)**   
B x 10

**(C)**   
8 X 30MM  
C x 4

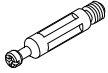



# Step 6

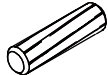
**(B)**   
B x 10

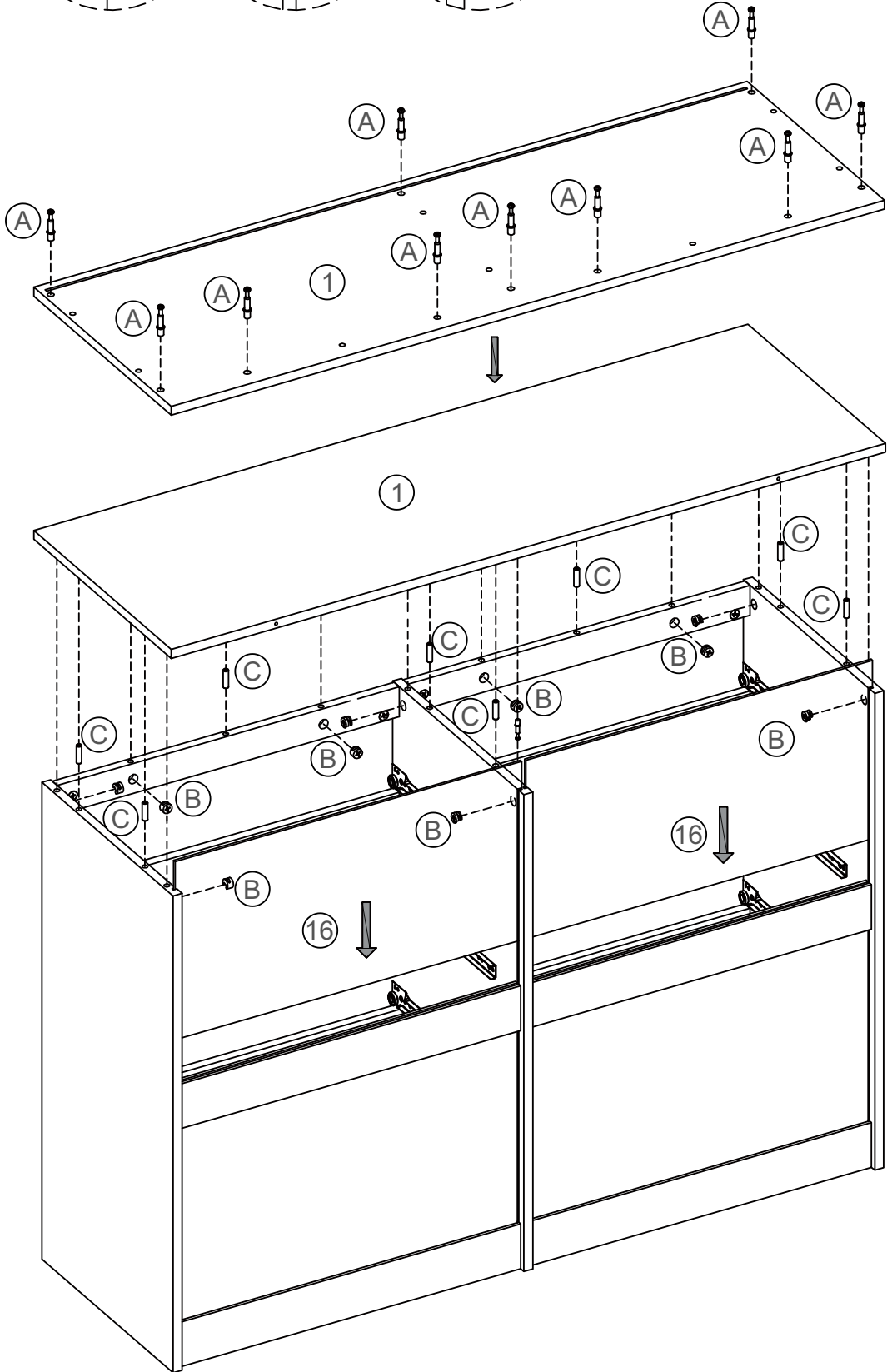
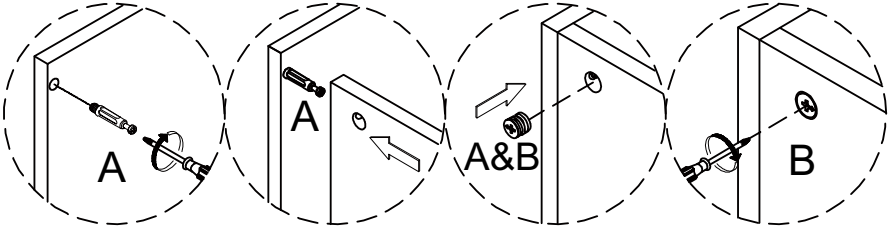


# Step 7


**A**   
A x 10

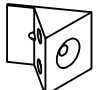
**B**   
B x 10

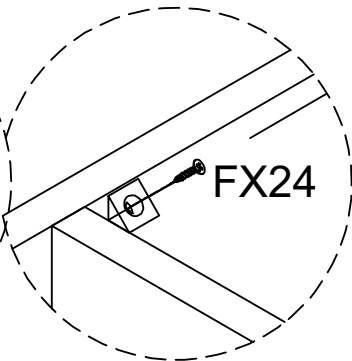
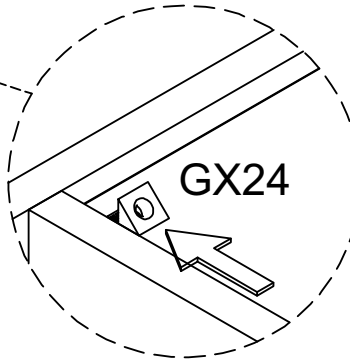
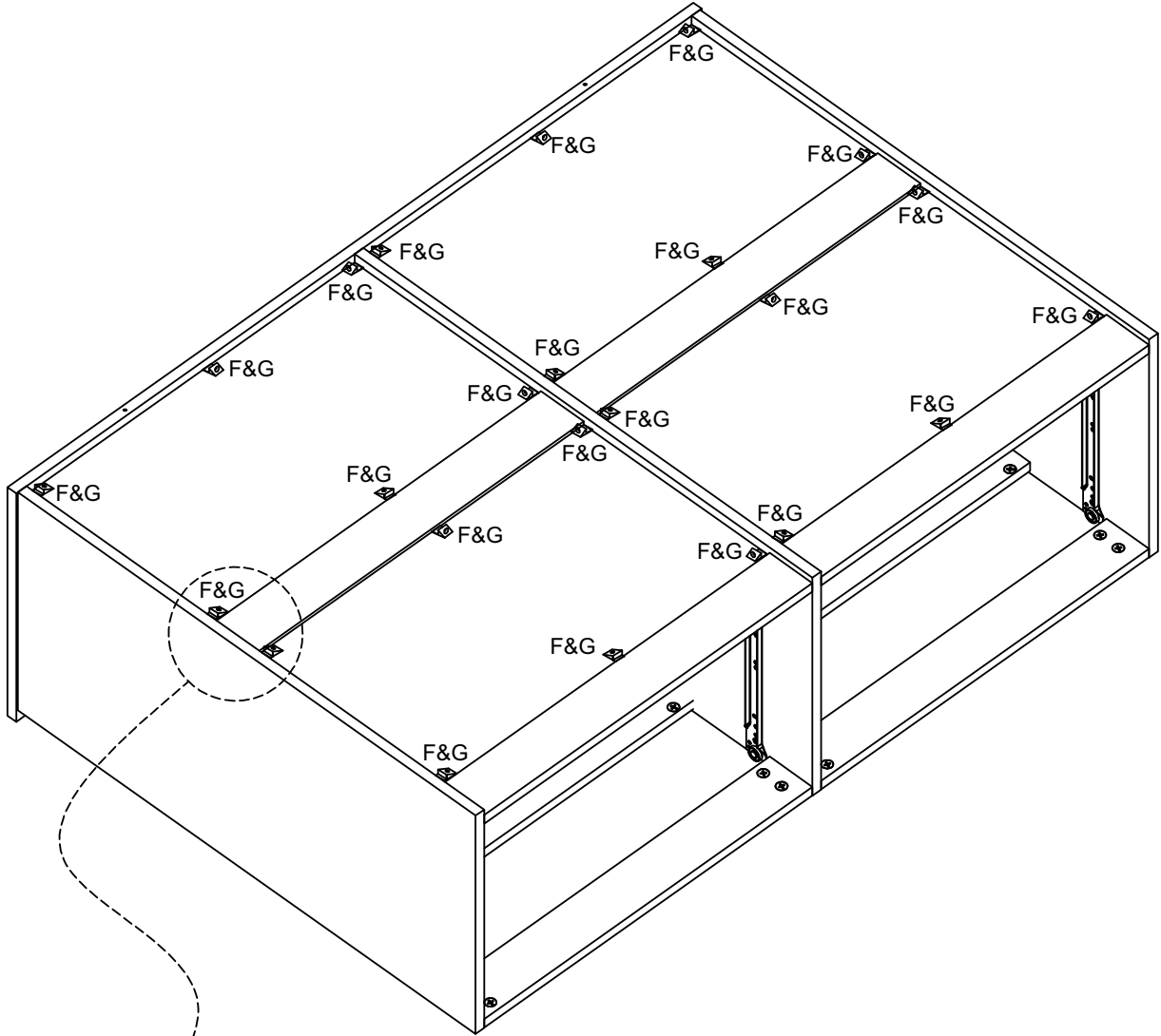
**C**   
8 X 30MM  
C x 8



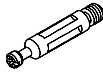
# Step 8

**F**   
3.5 x 14MM  
**F x 24**


**G**   
**G x 24**

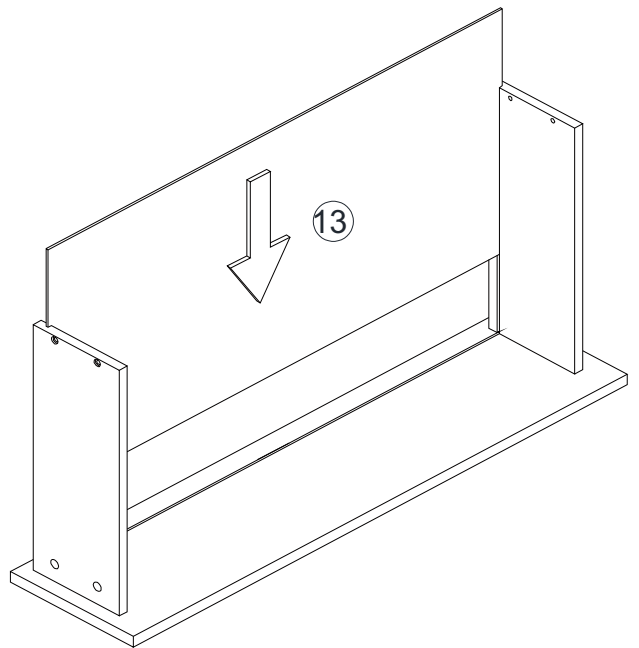
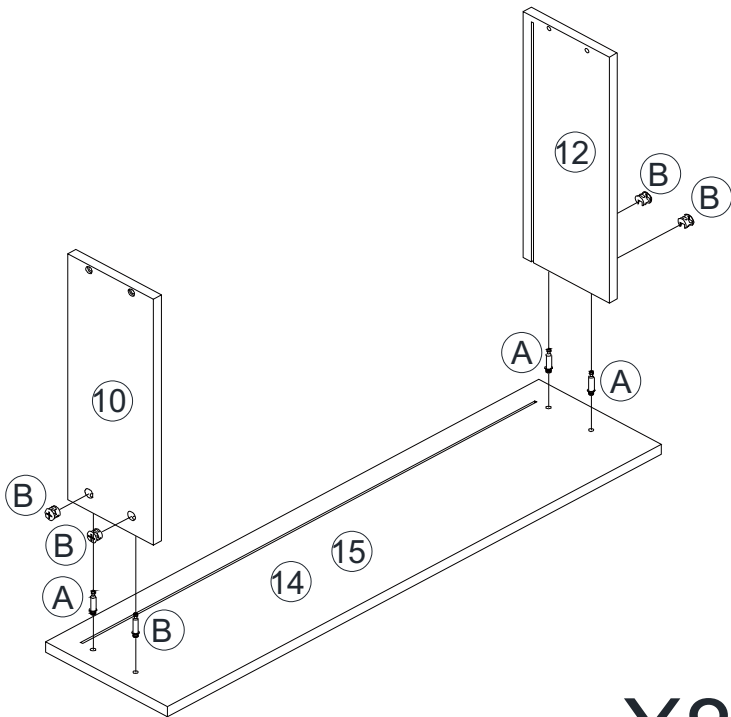


# Step 9

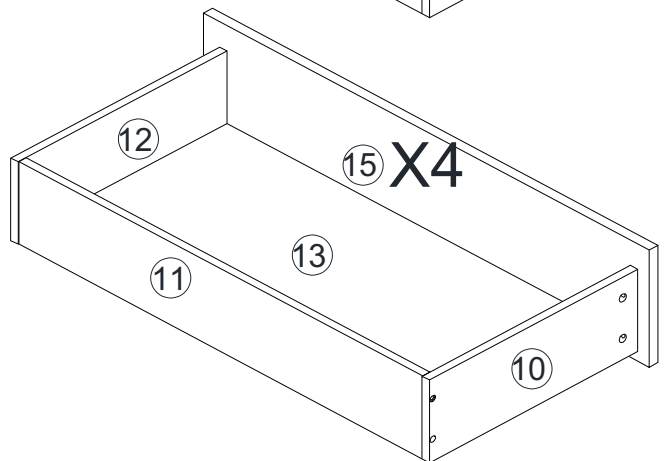
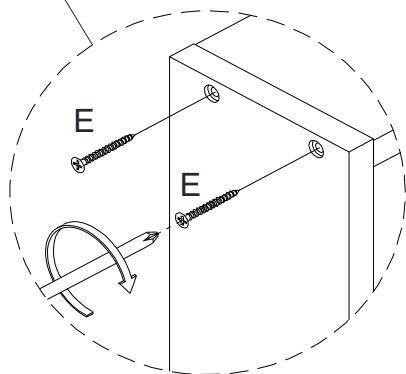
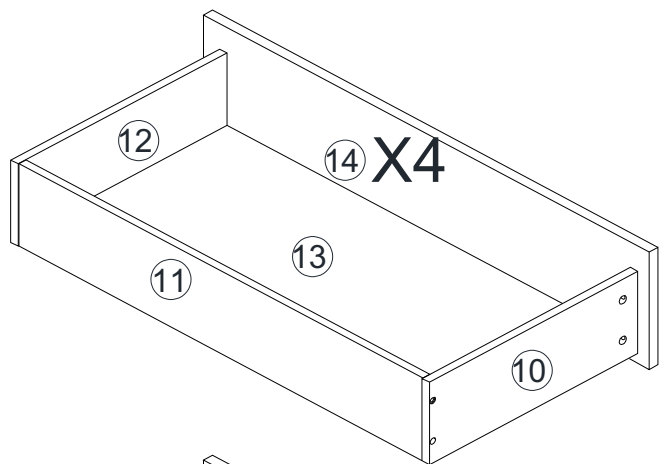
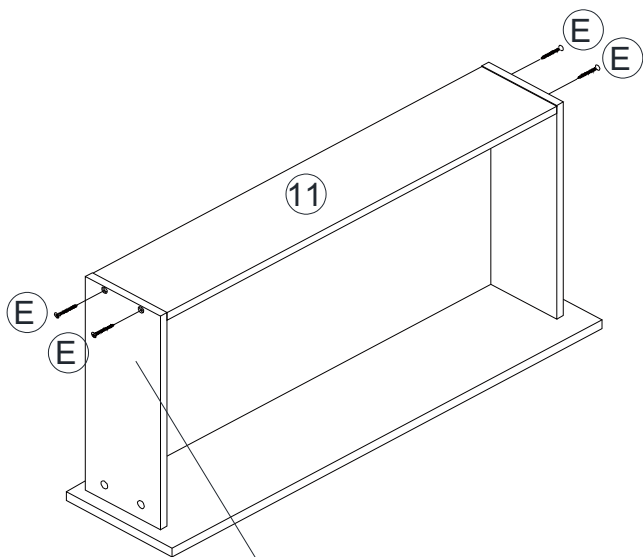
**A**   
A x 32

**B**   
B x 32

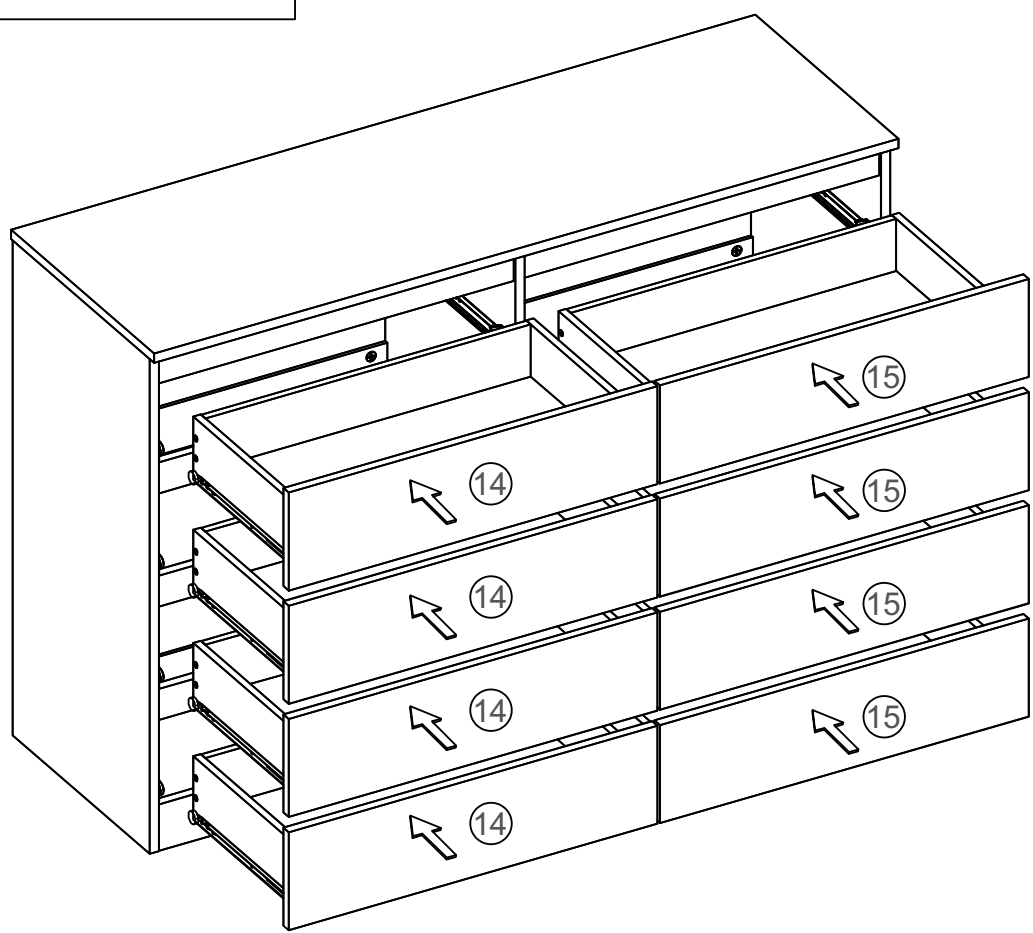
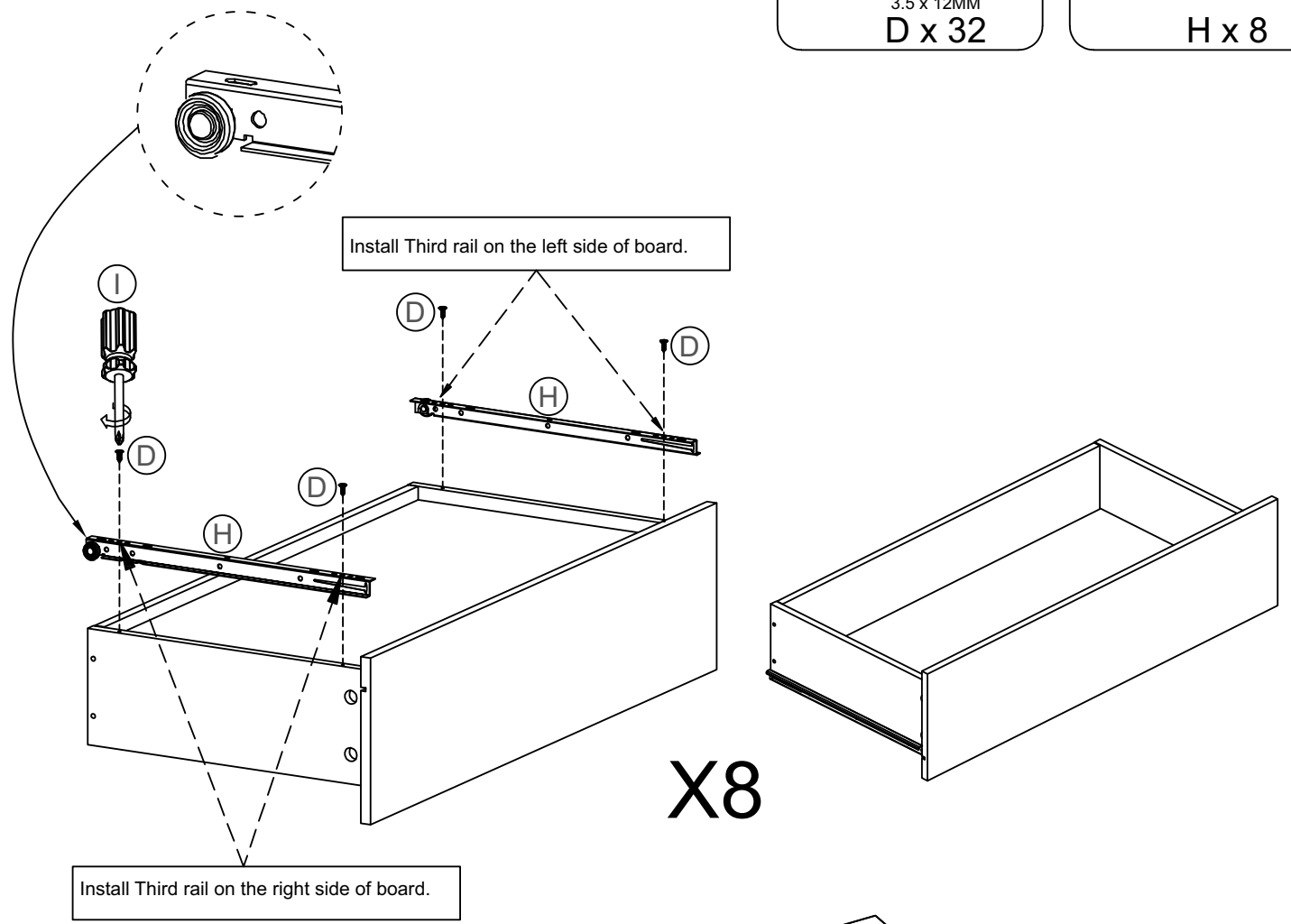
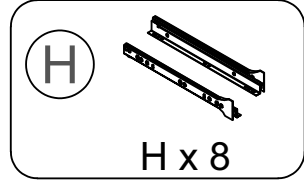
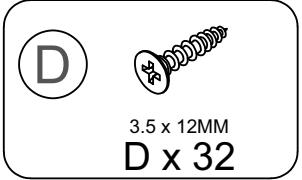
**E**   
3.5 x 35MM  
E x 32



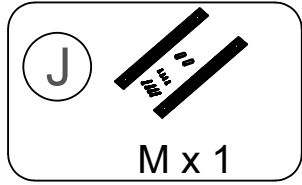
**X8**



# Step 10



# Step 11



The furniture must permanently be fixed to the wall using the provided anti-tipping device to prevent it from tipping over.

Mark the drill positions on the wall with a pencil.

Drill a small hole on the marked positions.

Insert a wall anchor into the drilled hole.

Fix the anti-tipping strap to the wall using the provided screws.

Note: Put the TV behind to the wood trim to prevent falling off.

