

## ASSEMBLY INSTRUCTIONS

**NOTE:** Only the technical personnel can be allowed to fix and maintain.

### IMPORTANT!

Make sure that the power is switch off at the electricity mains supply before commencing work.

### FIXING INSTRUCTIONS

1. Open parts according to the bag as shown in figure B shows, installed hangs Taiwan screw, and should be fixed to the ceiling in the right place.
  2. Ground Connection (See picture 1): there are one tapping hole & two dimples.
- Wind the supply ground wire (2) on the green ground screw (15) and then put it into tapping hole. Connect the fixture ground wire (3) with supply ground wire (2) by connecting terminal (12). Caution: DO NOT connect ground wire with supply power wire.
3. Connect fixture supply wire with power supply wire. Caution: Remember to distinguish the positive and negative charges. (See picture 2)
  4. Push canopy up to the ceiling and lock cuttlefish nut.
  5. Hang crystal.

### REPLACEMENT BULB

Do not exceed the maximum wattage.  
Light bulbs recommended: E12 6x40W Max.Type B.

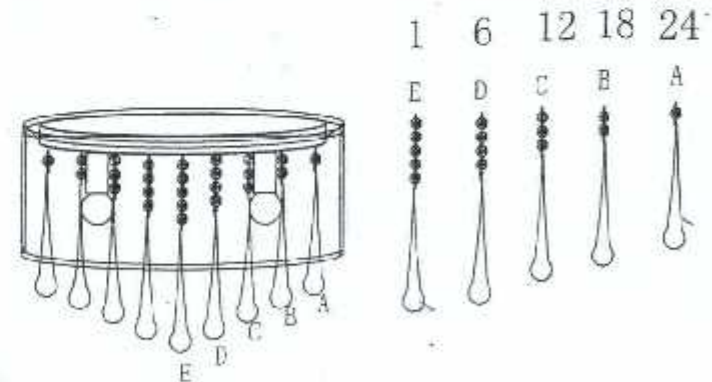
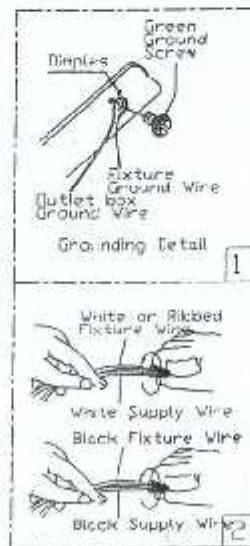
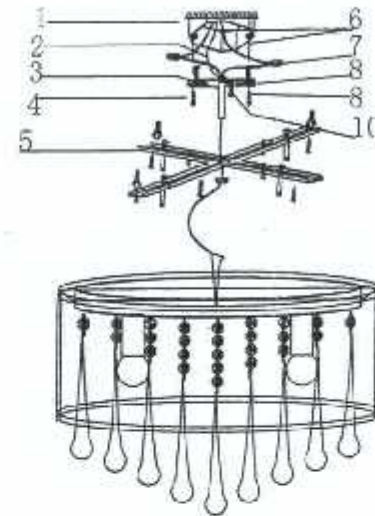
### CLEANING CARE

Clean with a soft dry cloth.

### SAFETY INFORMATION

Lamp used must in rated voltage and do not touch the bulb with bare hands. Always switch off the electricity supply and allow to cool for 10 minutes before changing the light bulbs.

IF the external cables have been damaged,Pls change or repair by manufacturer or service agency or professional electrician.In order to avoid the danger.



A

B