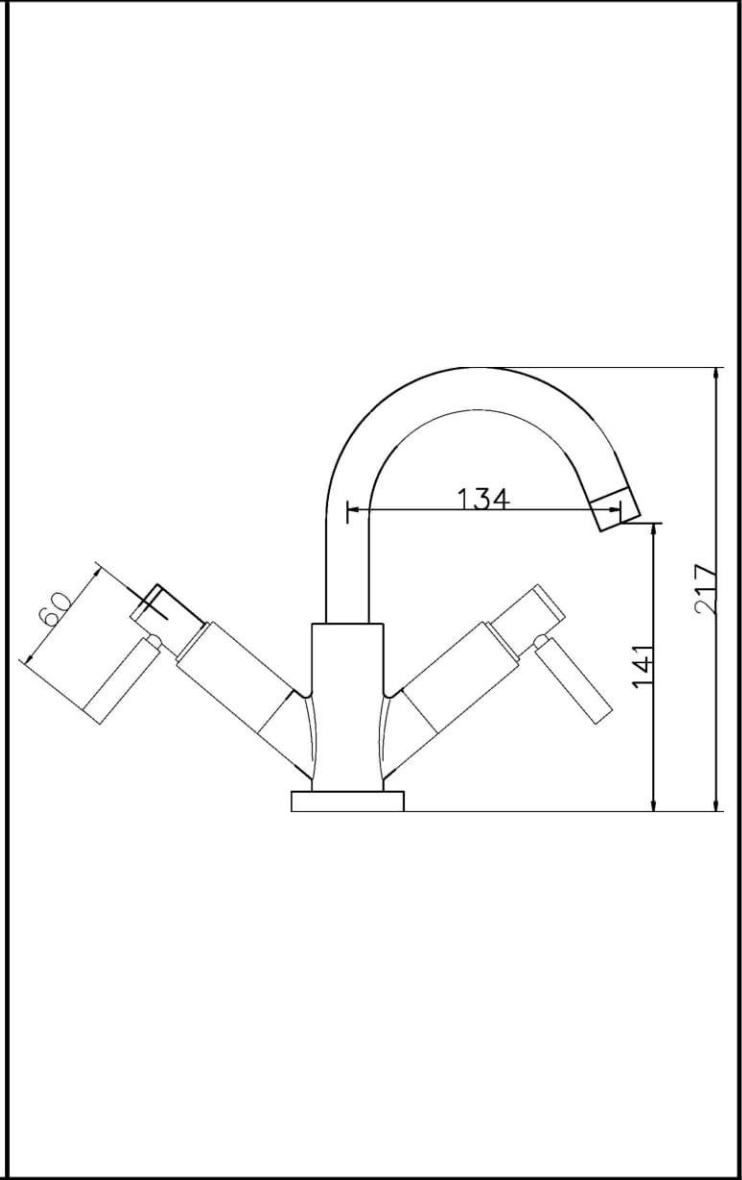


CUSTOMER DATA SHEET - BRASSWARE

DESCRIPTION: Lever Mono Small Swivel Spout Waste



PRODUCT DIMENSIONS				
Height (mm)	Width (mm)	Depth (mm)	Length (mm)	Nett Wgt Kg
217	260	175		2.42

PACKAGING DIMENSIONS				
Height (mm)	Width (mm)	Depth (mm)	Gross Wgt Kg	
130	185	275	2.42	

PACKAGING DATA			
Box Colour	White Cardboard Box		
Box Qty	1	Label Colour	White Label
Label Size	100 x 50	Label Qty	2

OUTER BOX DIMENSIONS (If Applicable)				
Height (mm)	Width (mm)	Depth (mm)	Length (mm)	Gross Wgt Kg
				19

PRODUCT DETAILS			
Country of Origin	United Kingdom		
Fitting Instruction	Yes		
Product Material	Brass		
Control Type	Manual		
Waste Included	Waste Not Included		
WRAS Approval	No	Approval No.	N/A
Operating Pressure (bar)	0.1		
Valve/Cartridge Type	1/4 Turn Ceramic Disc		

Colour/Finish	Chrome									
Mount Type	Deck									
Waste Type	Not Applicable									
Flow Rates (Litres Per Min)	0.1 bar	0	0.5 bar	0	1 bar	0	2 bar	0	3 bar	0
Pipe Size	15 mm (1/2" Bsp)									
Pipe Centres	N/A									