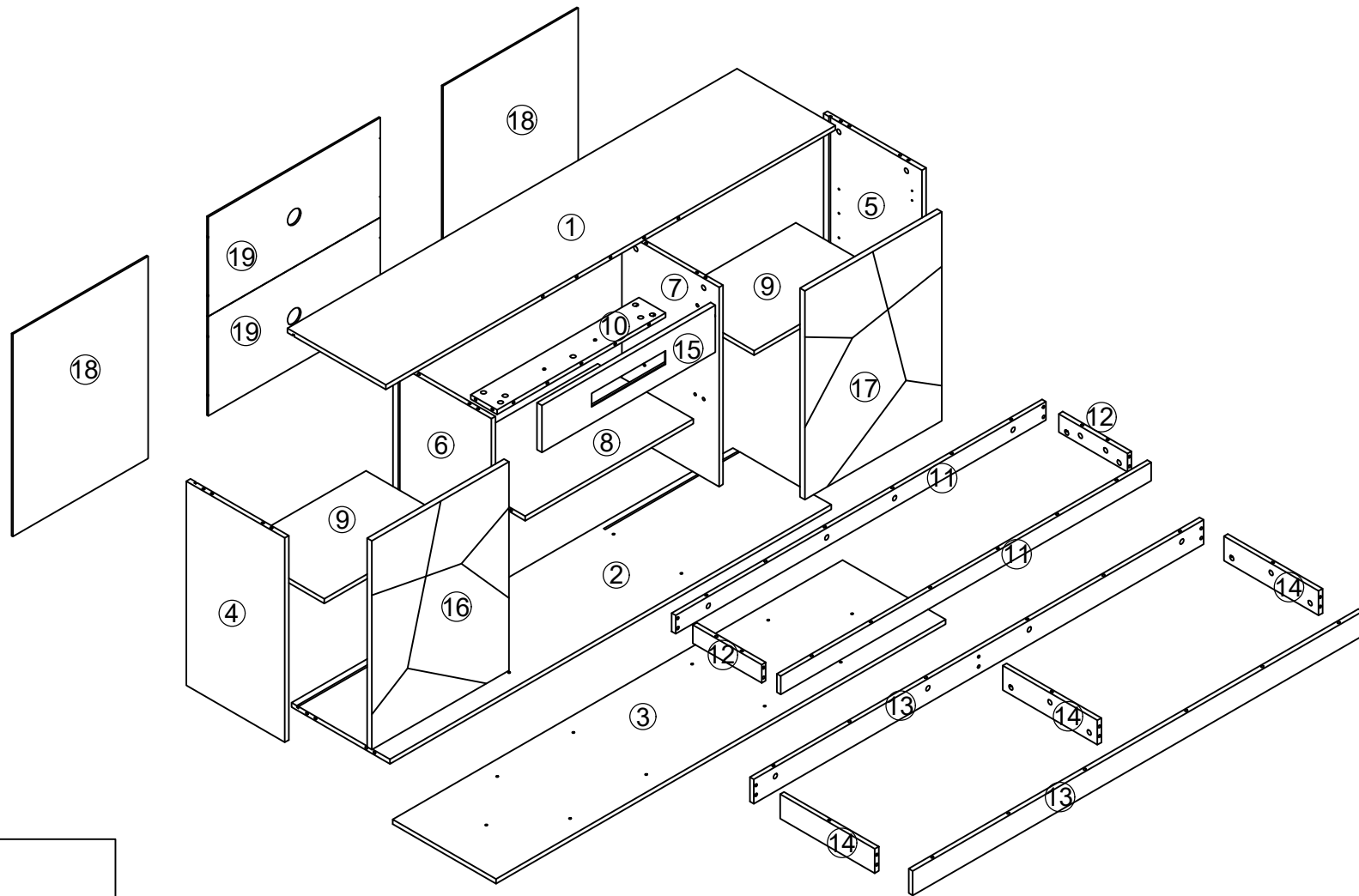
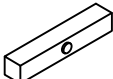
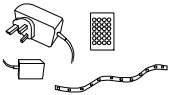


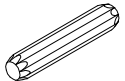
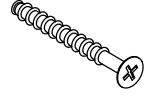



QD2208115





| | |
|--|--|
| <p>K</p>  <p>1PCS</p> | <p>LED</p>  <p>1PCS</p> |
| <p>A</p>  <p>59PCS</p> | <p>B</p>  <p>59PCS</p> |

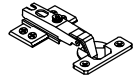
| |
|---|
| <p>C</p> <p>8*40</p>  <p>40PCS</p> |
|---|


| |
|---|
| <p>D</p> <p>7*50</p>  <p>14PCS</p> |
|---|


| |
|--|
| <p>E</p> <p>3.5*14</p>  <p>36PCS</p> |
|--|

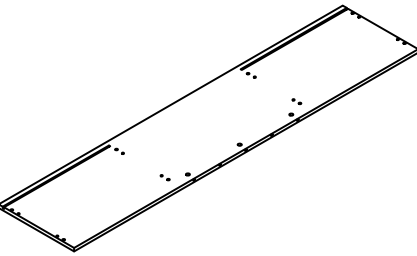
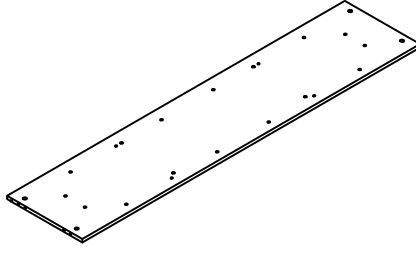
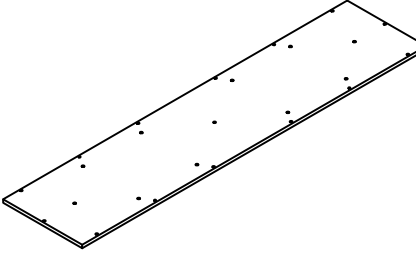
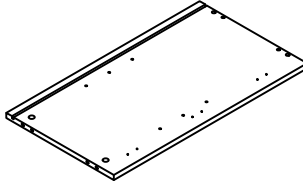
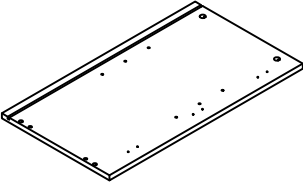
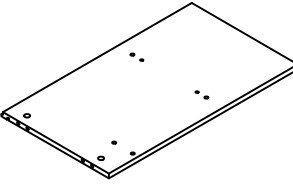
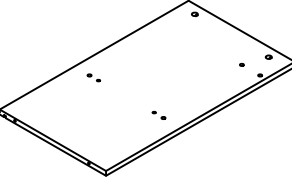
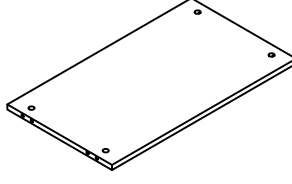
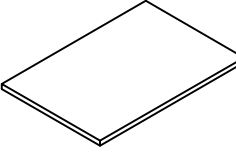
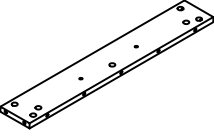
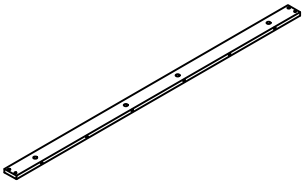
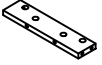
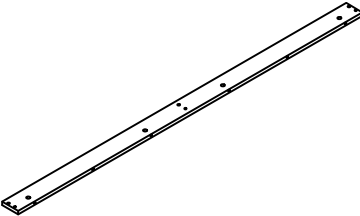
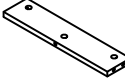
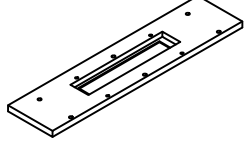
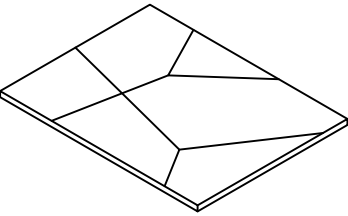
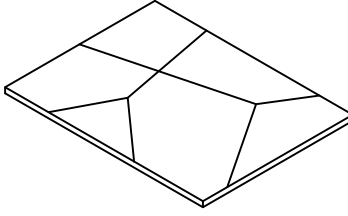
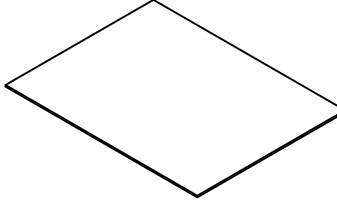
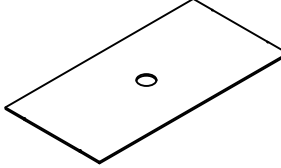
| |
|--|
| <p>F</p>  <p>8PCS</p> |
|--|

| |
|--|
| <p>G</p>  <p>8PCS</p> |
|--|

| |
|--|
| <p>H</p>  <p>6PCS</p> |
|--|

| |
|--|
| <p>I</p>  <p>8PCS</p> |
|--|

| |
|--|
| <p>J</p> <p>3*12</p>  <p>8PCS</p> |
|--|

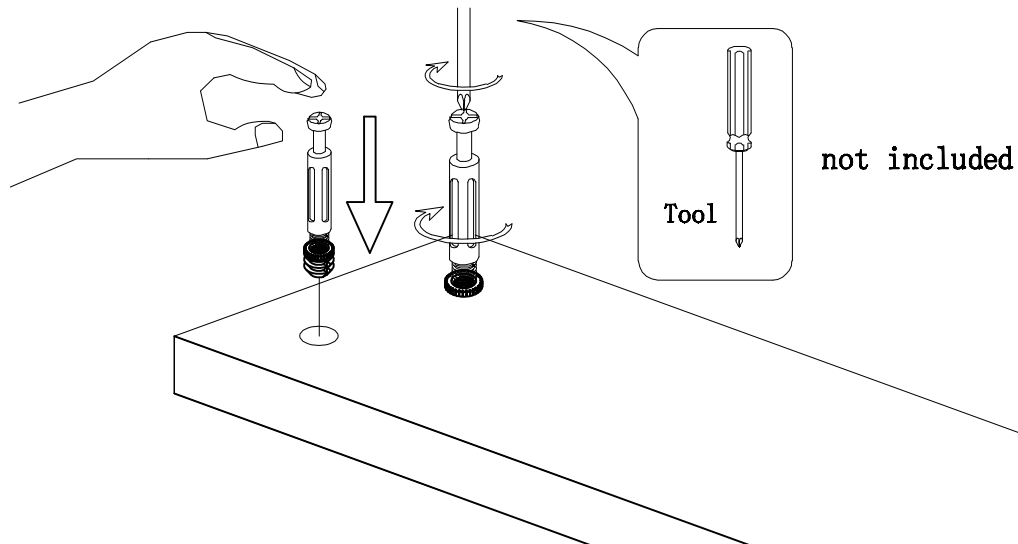
| | | | | |
|---|--|---|--|---|
| <p>1</p>  <p>1700*372 1PS</p> | <p>2</p>  <p>1668*372 1PS</p> | <p>3</p>  <p>1700*390 1PS</p> | <p>4</p>  <p>669*372 1PS</p> | <p>5</p>  <p>669*372 1PS</p> |
| <p>6</p>  <p>653*372 1PS</p> | <p>7</p>  <p>653*372 1PS</p> | <p>8</p>  <p>636*362 1PS</p> | <p>9</p>  <p>498*340 2PS</p> | <p>10</p>  <p>636*100 1PS</p> |
| <p>11</p>  <p>1400*60 2PS</p> | <p>12</p>  <p>260*60 2PS</p> | <p>13</p>  <p>1700*80 2PS</p> | <p>14</p>  <p>358*80 3PS</p> | <p>15</p>  <p>656*154 1PS</p> |
| <p>16</p>  <p>684*518 1PS</p> | <p>17</p>  <p>684*518 1PS</p> | <p>18</p>  <p>663*511 2PS</p> | <p>19</p>  <p>326*650 2PS</p> | |



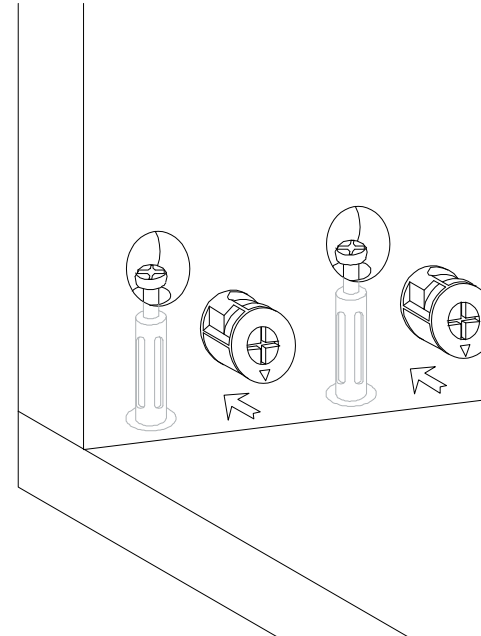
Hardware installation demonstration

NOTE: Please make sure "A" hardware tightened and can't be pulled out!

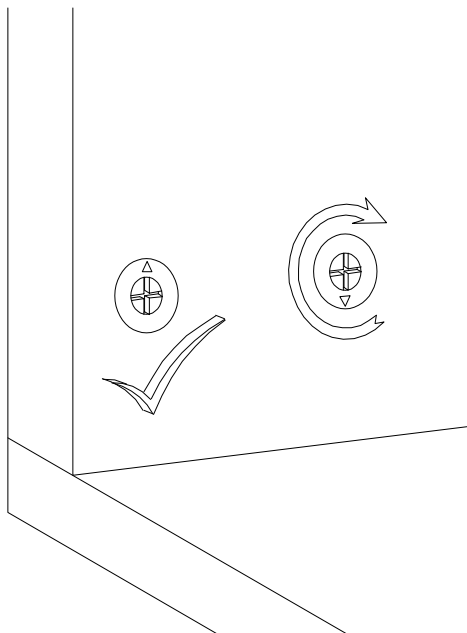
I



II



III

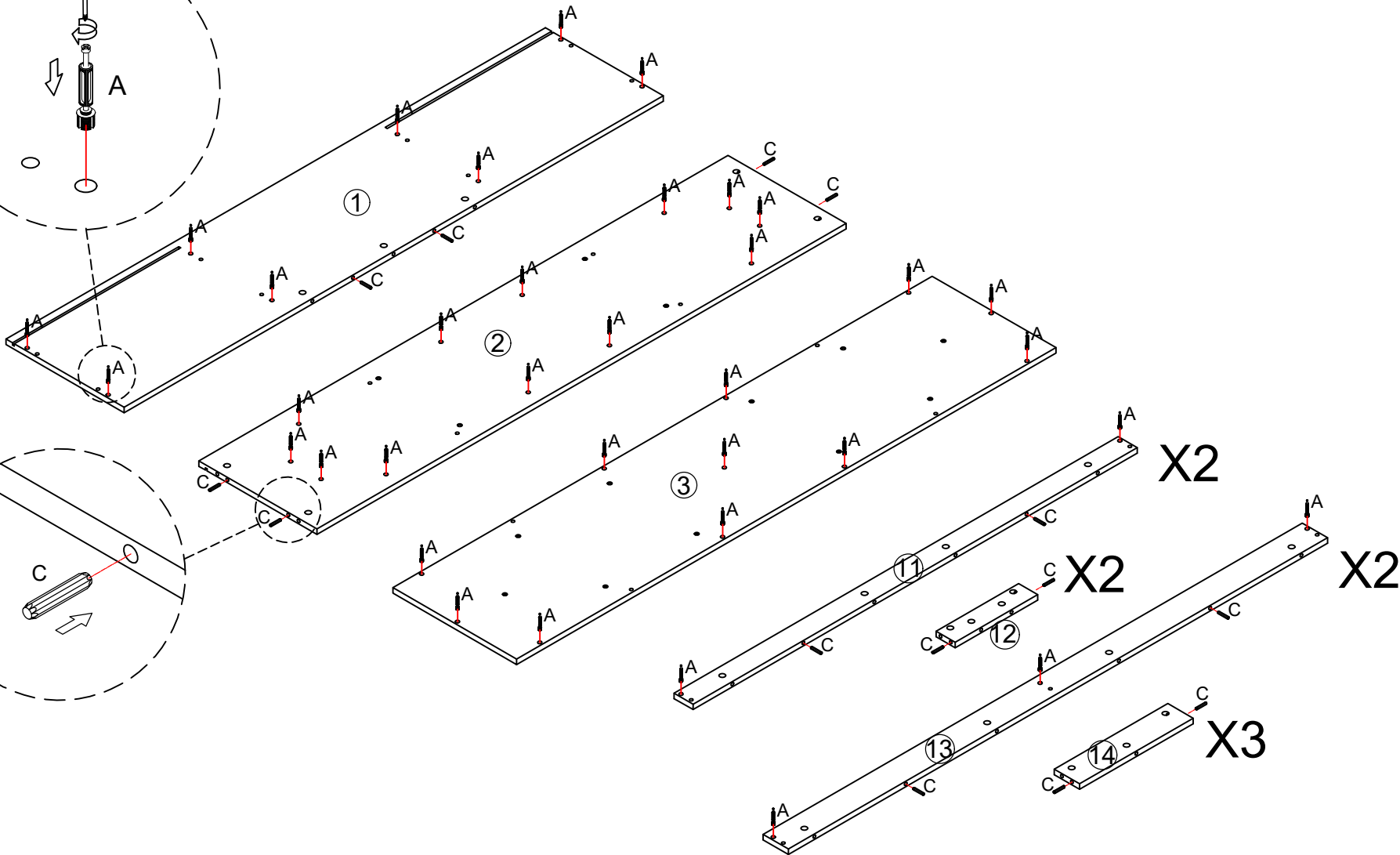
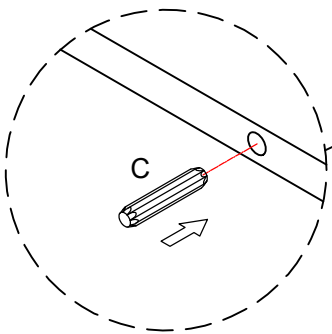
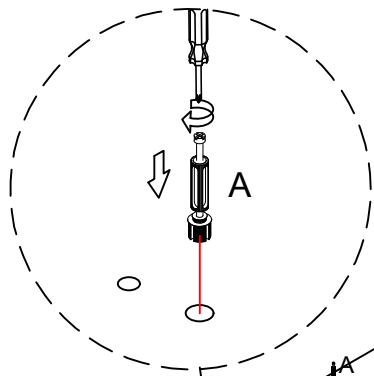



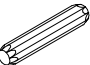
IV



Scan QR code for assembly video

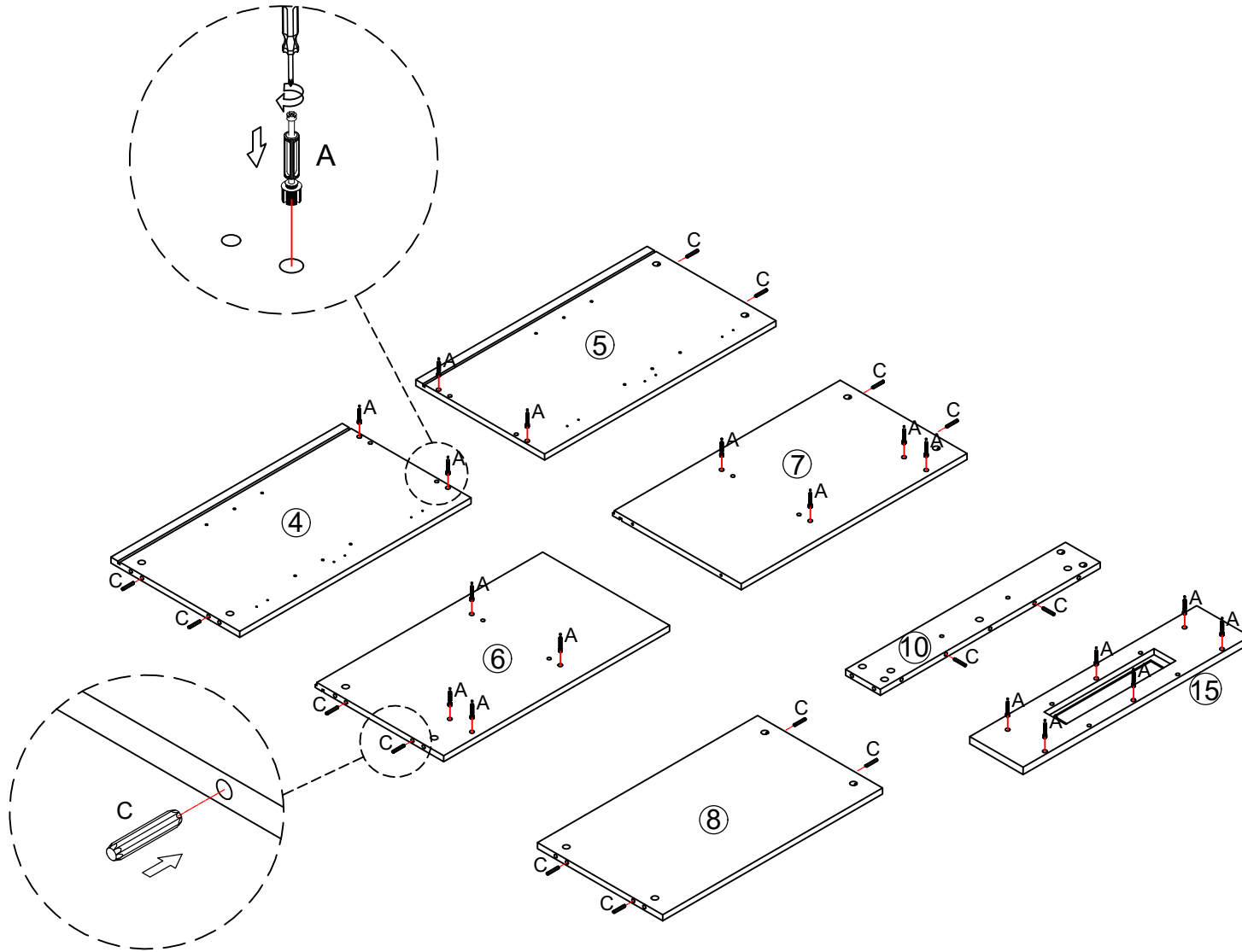
1



| | |
|--|------|
|  | A*41 |
|  | C*24 |

put A on board ① ② ③ ⑪ ⑬
put C on board ① ② ⑪ ⑫ ⑬ ⑭

2



A*18



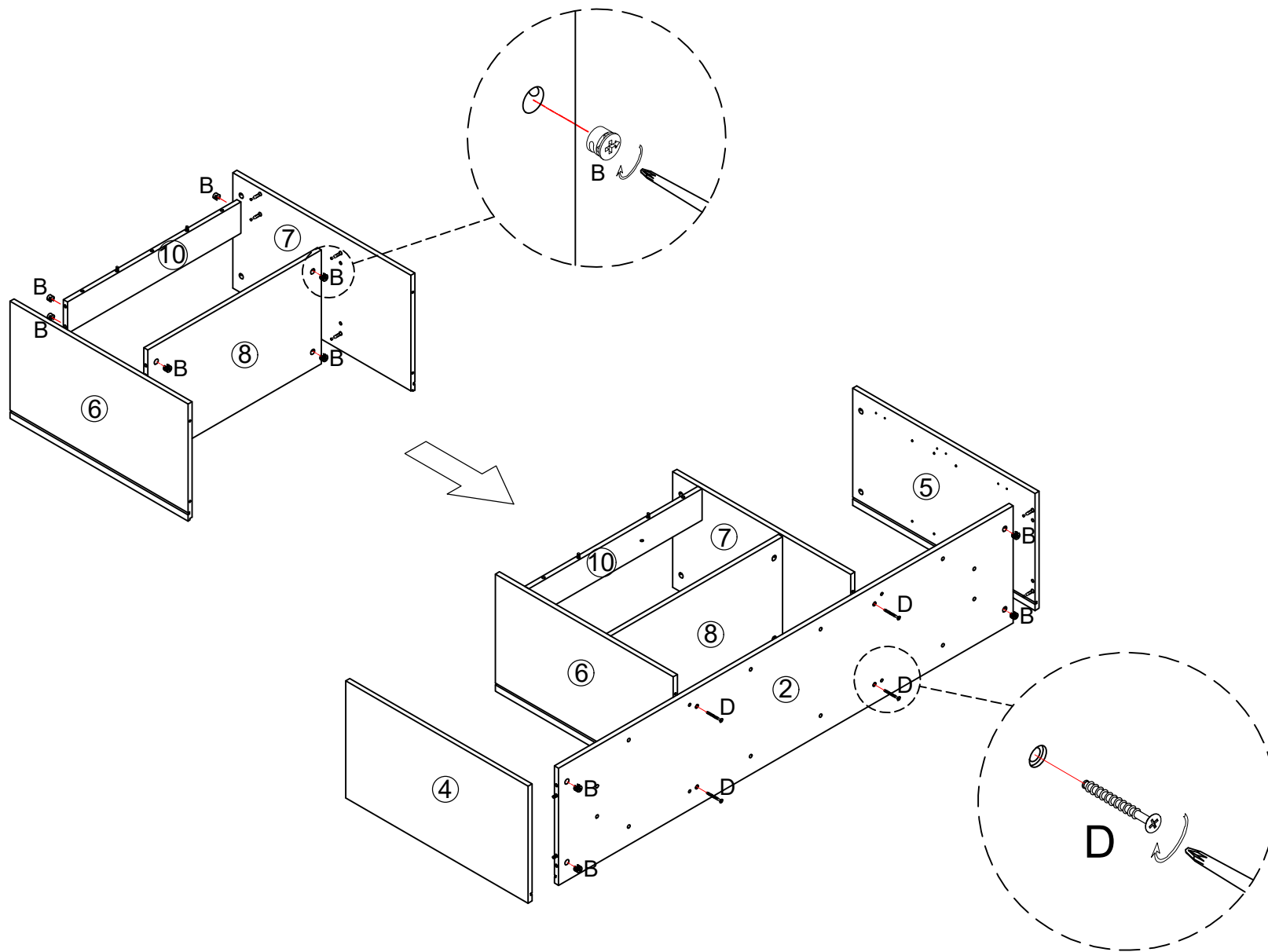
C*14

put A on board ④ ⑤ ⑥ ⑦ ⑮

put C on board ④ ⑤ ⑥ ⑦ ⑧ ⑩

3

Make sure the arrow on the screw align to the hole on the side.



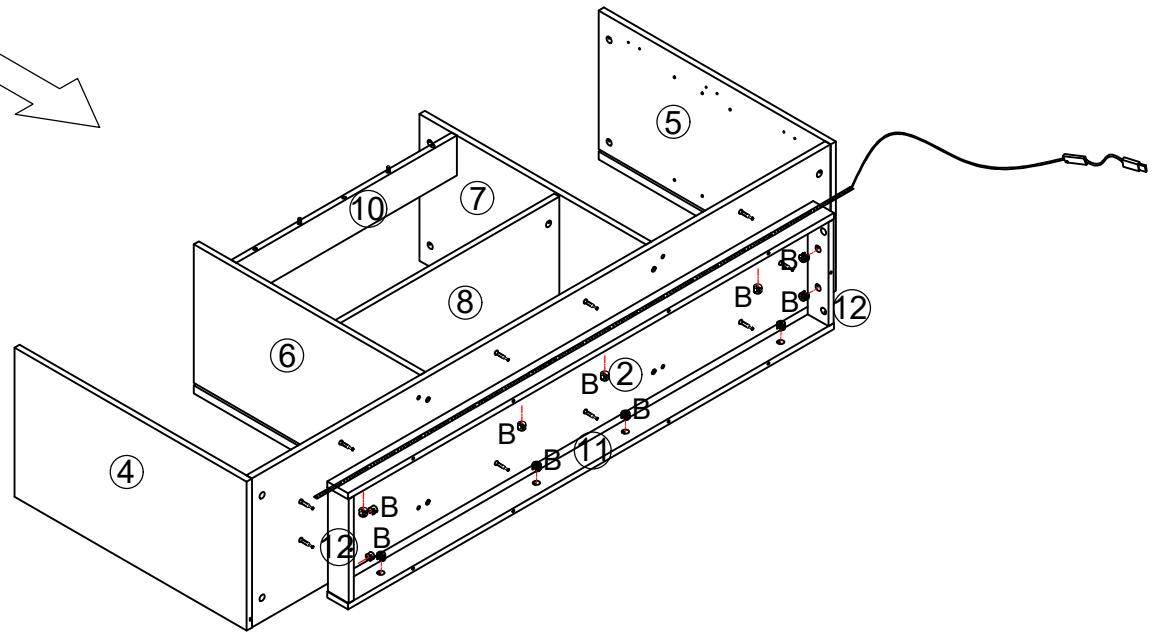
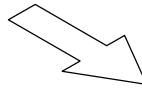
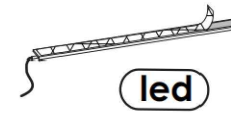
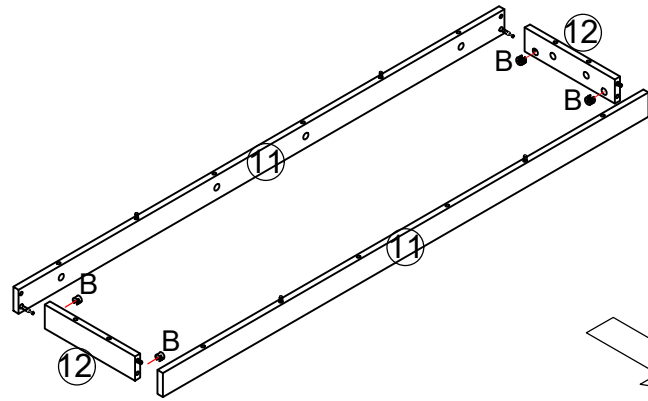
B*12



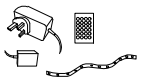
D*4

put B on board ② ⑧ ⑩

4



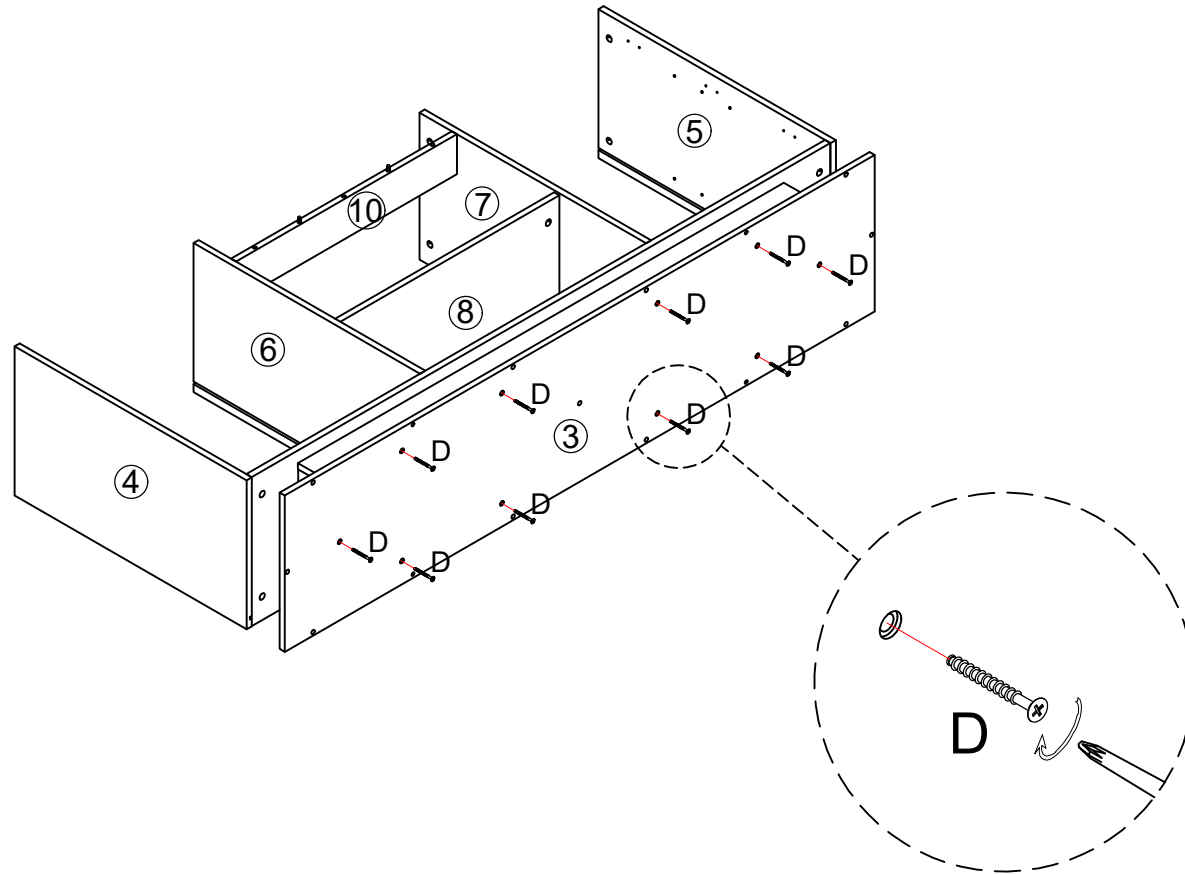
B*16



LED*1

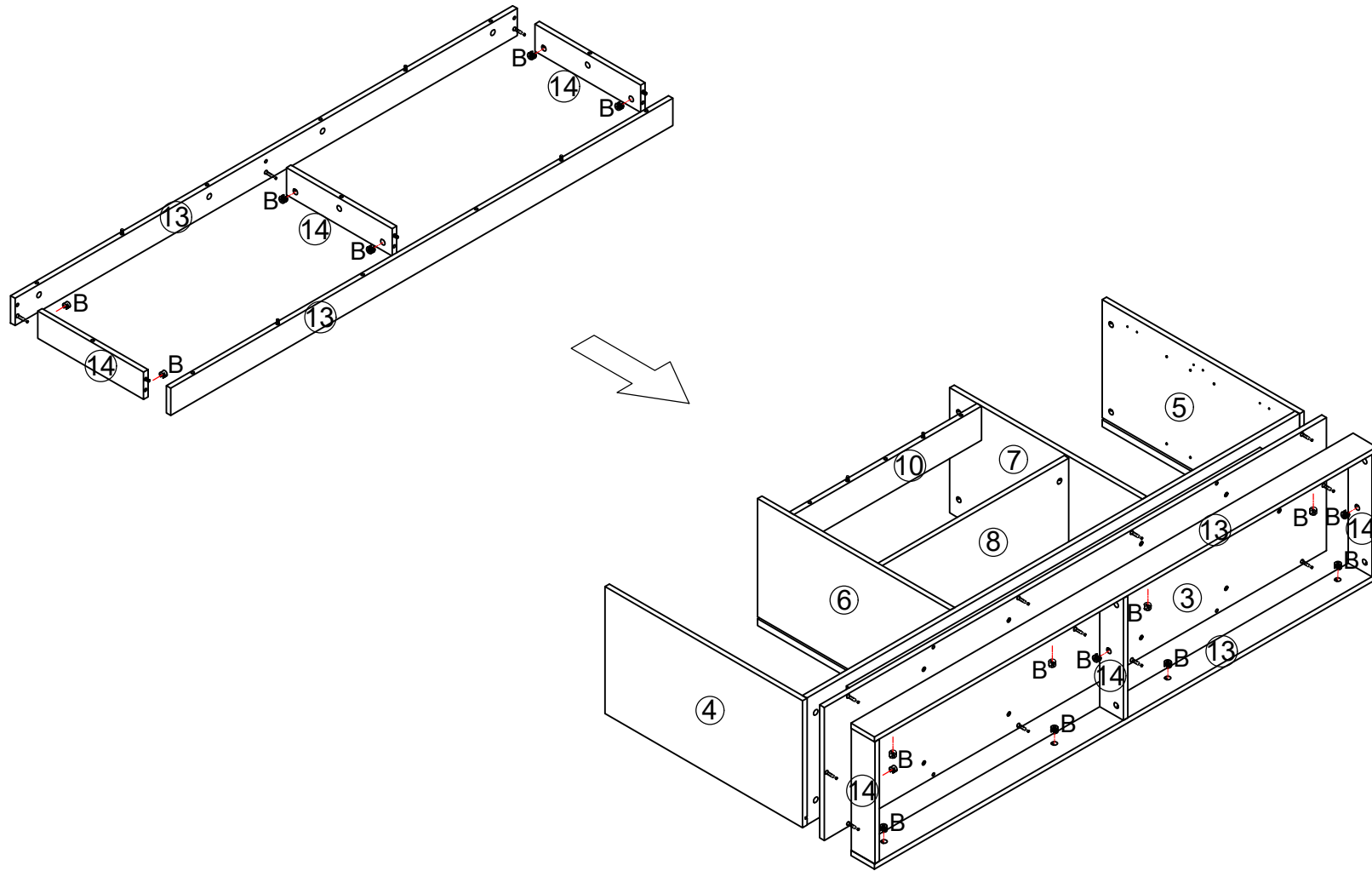
put B on board 11 12

5



D*10

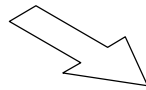
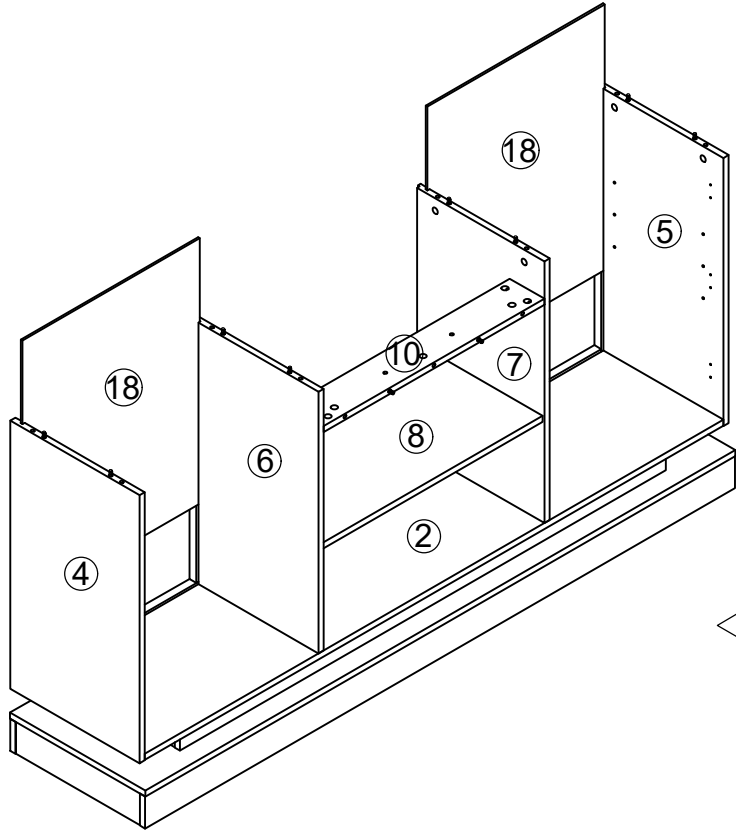
6



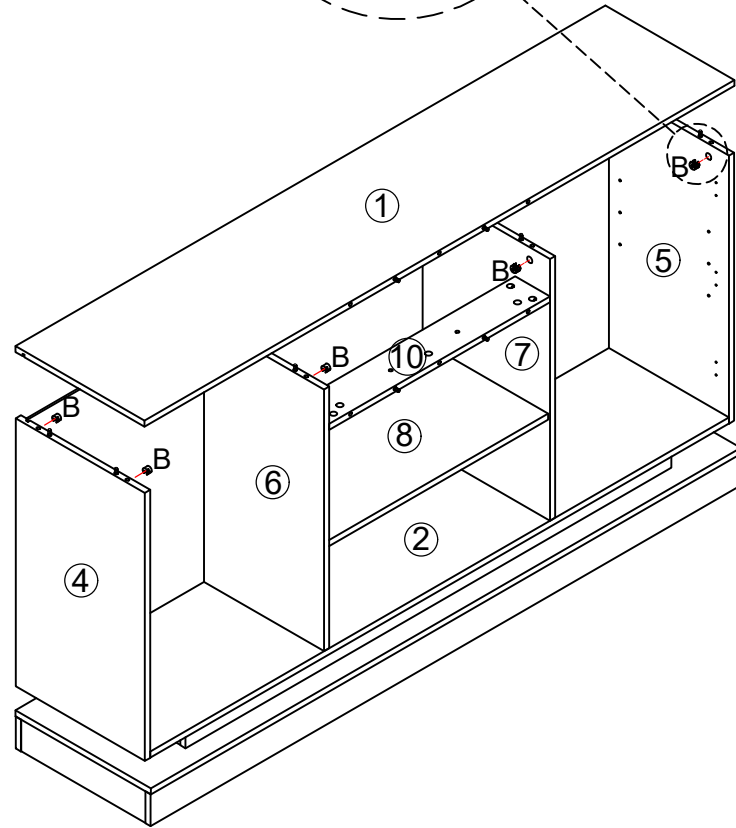
B*17

put B on board 13 14

7



Make sure the arrow on the screw align to the hole on the side.

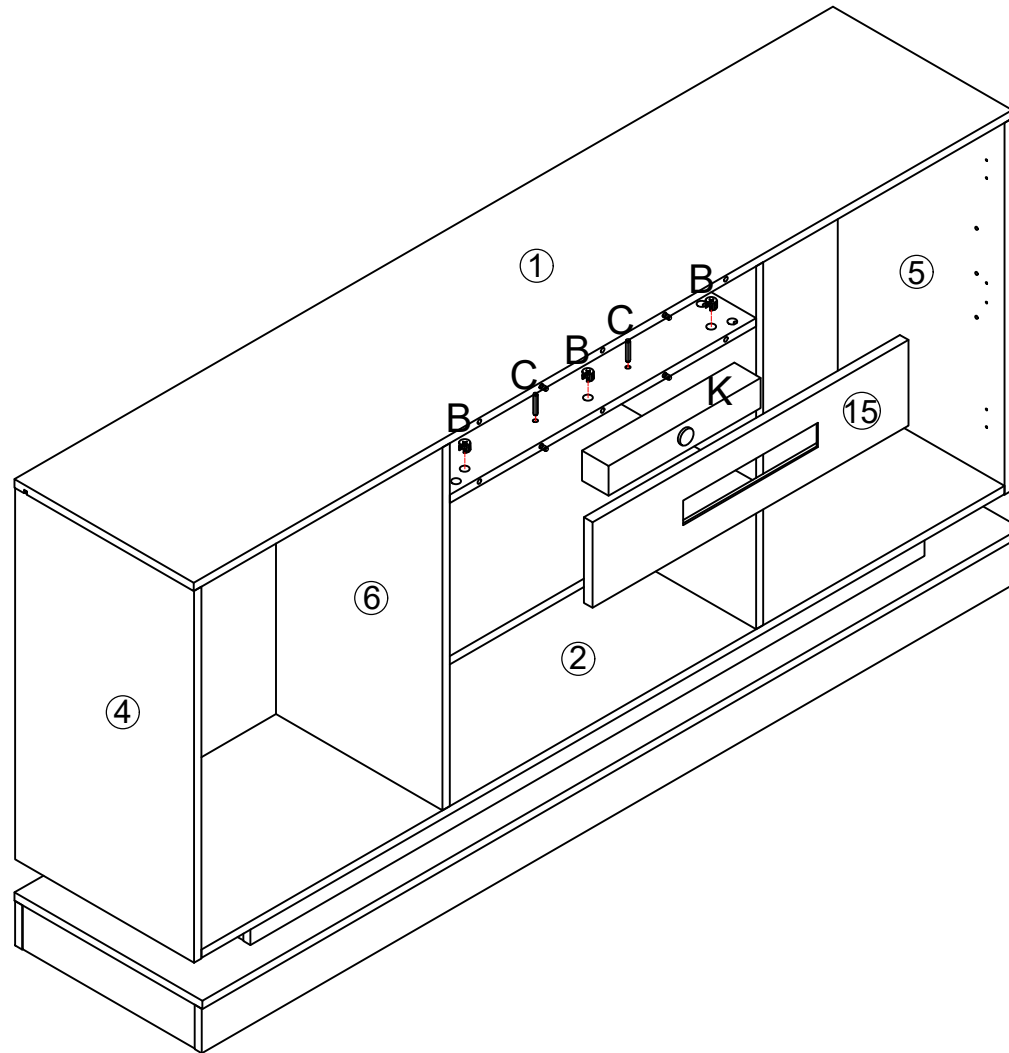


put B on board ④ ⑤ ⑥ ⑦

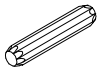


B*8

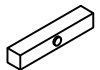
8



B*6

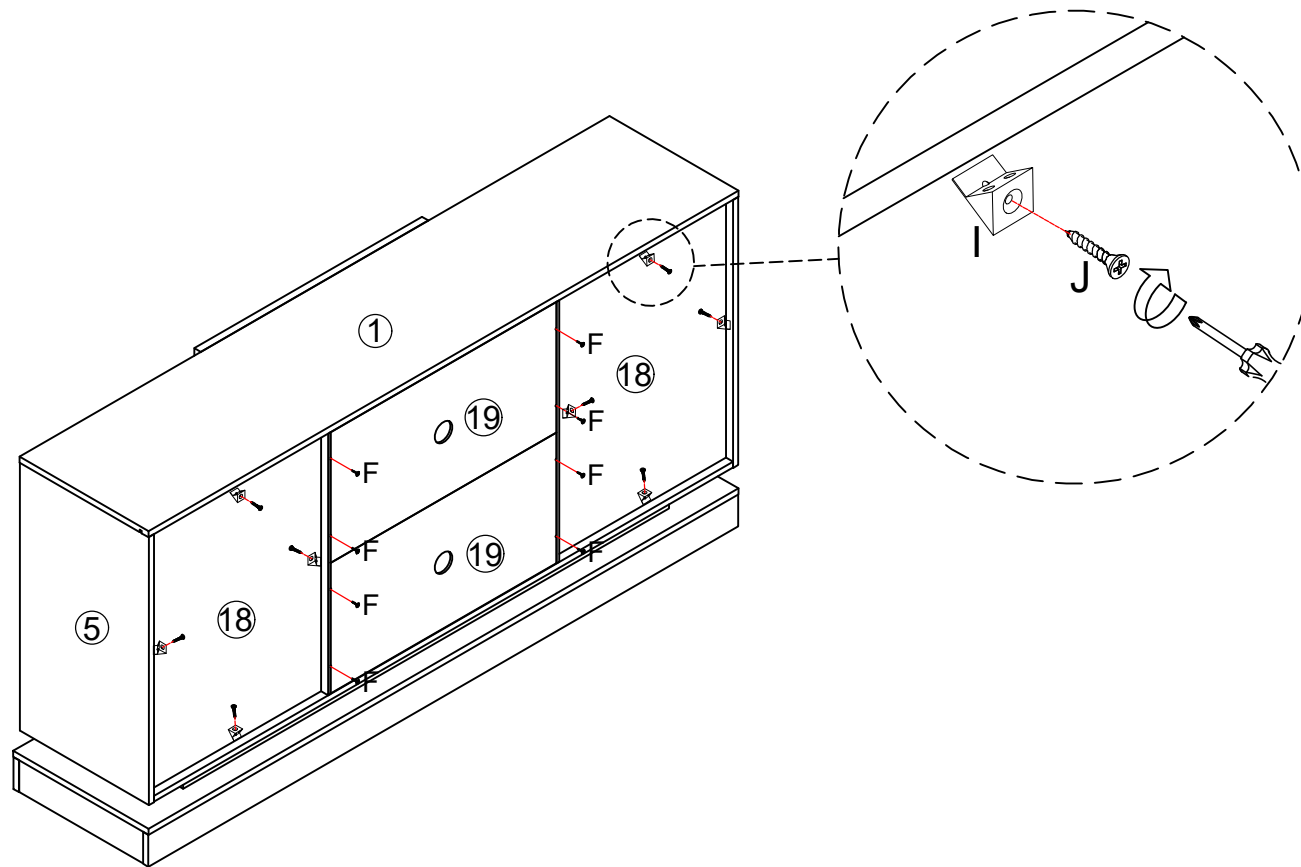


C*2



K*1

9



F*8

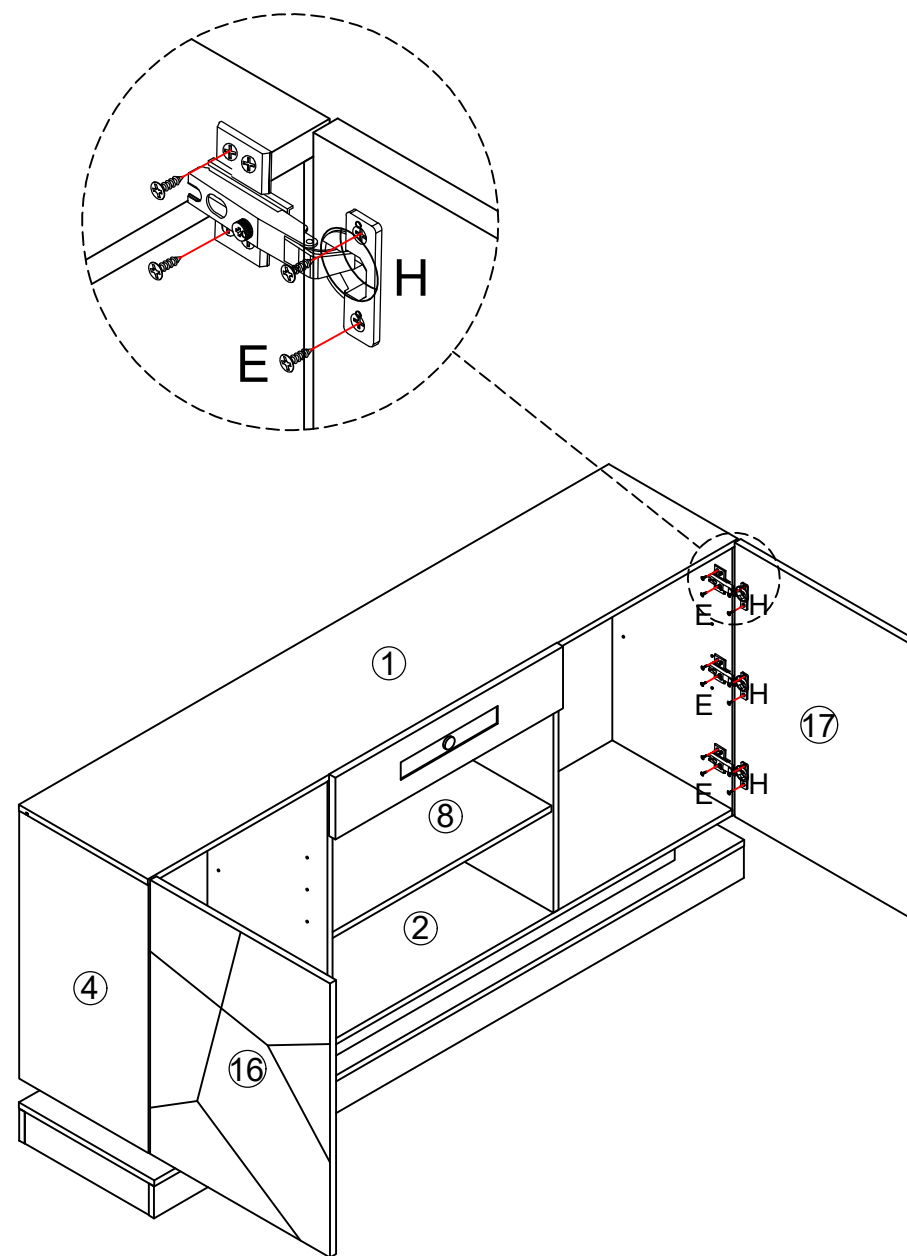


I*8

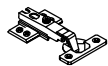


J*8

10

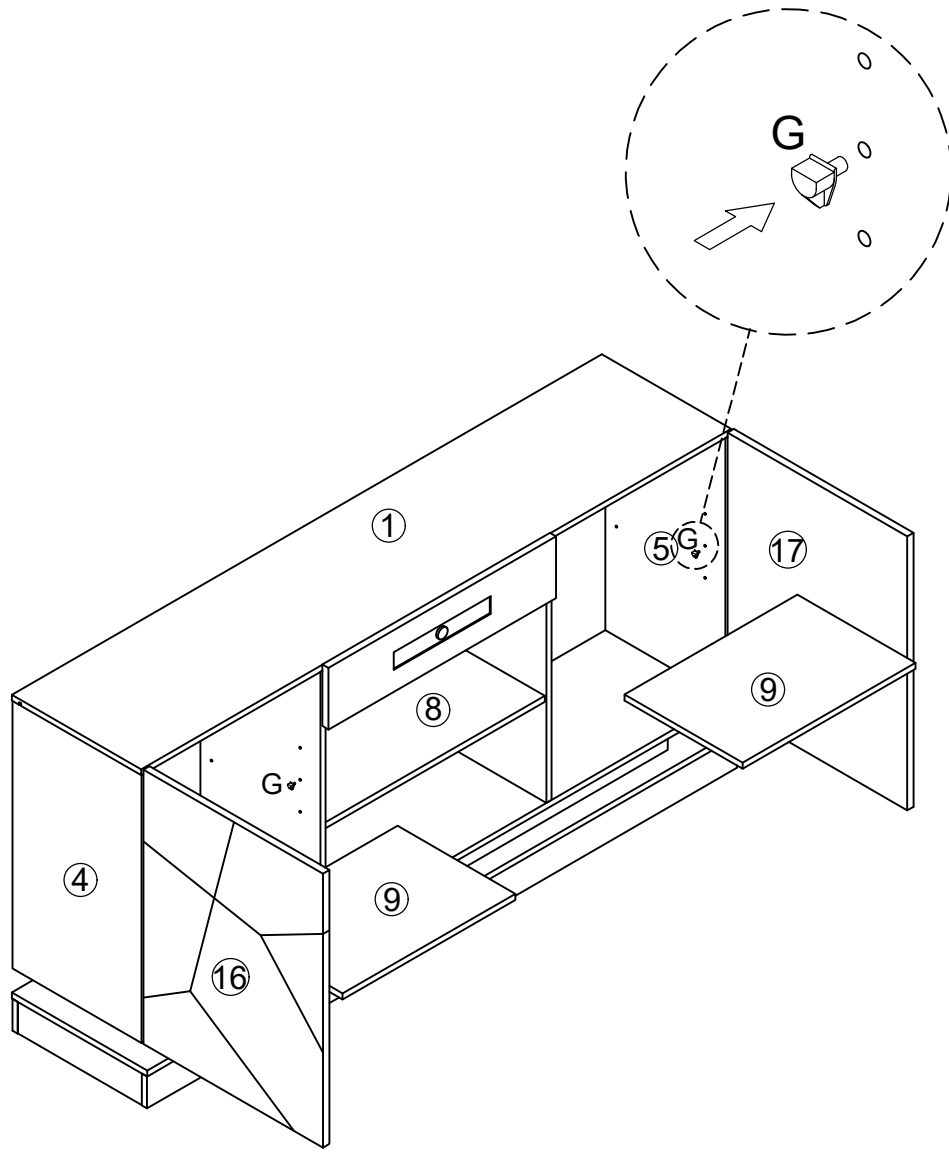


E*36



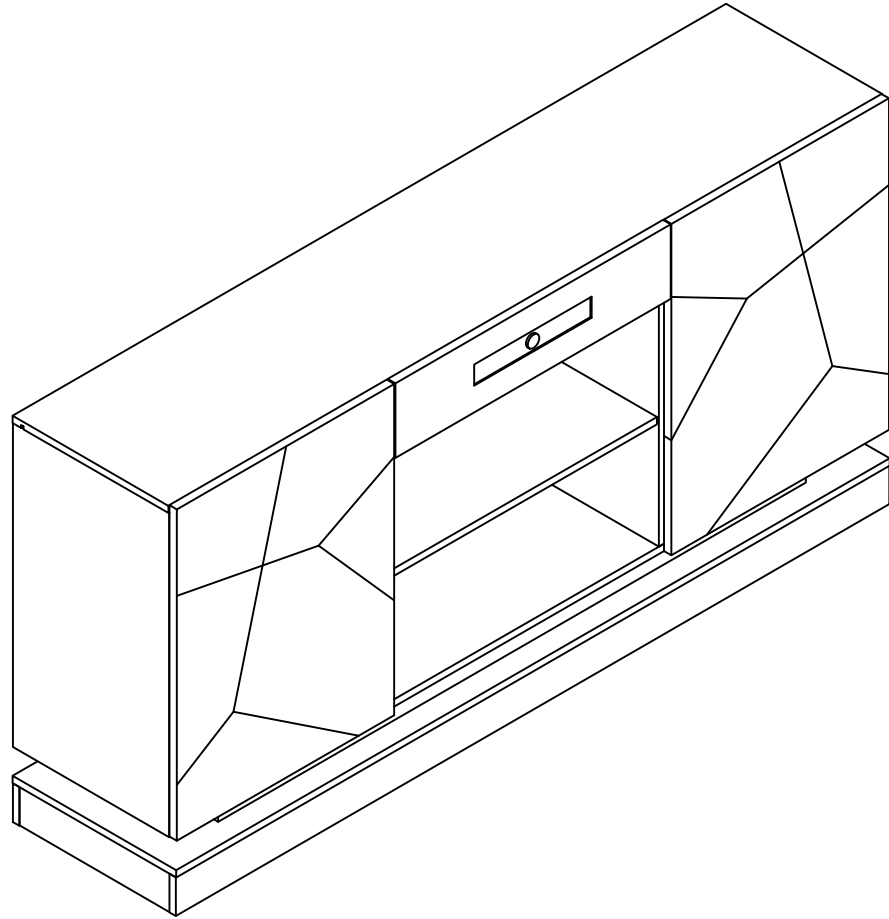
H*6

11



G*8

12



--END--

LED Light

If you can't let the lights work successfully, please check the following:

1. Please check the direction of the connect, try it in the opposite direction, according to the following picture.
2. Please check the remote control, it need you to tear down the plastic septum before use it.
3. Don't let the remote control too far from the receiver, make sure there is no obstruction between them.

