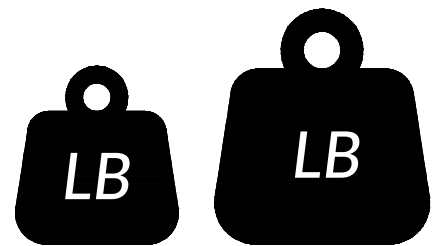
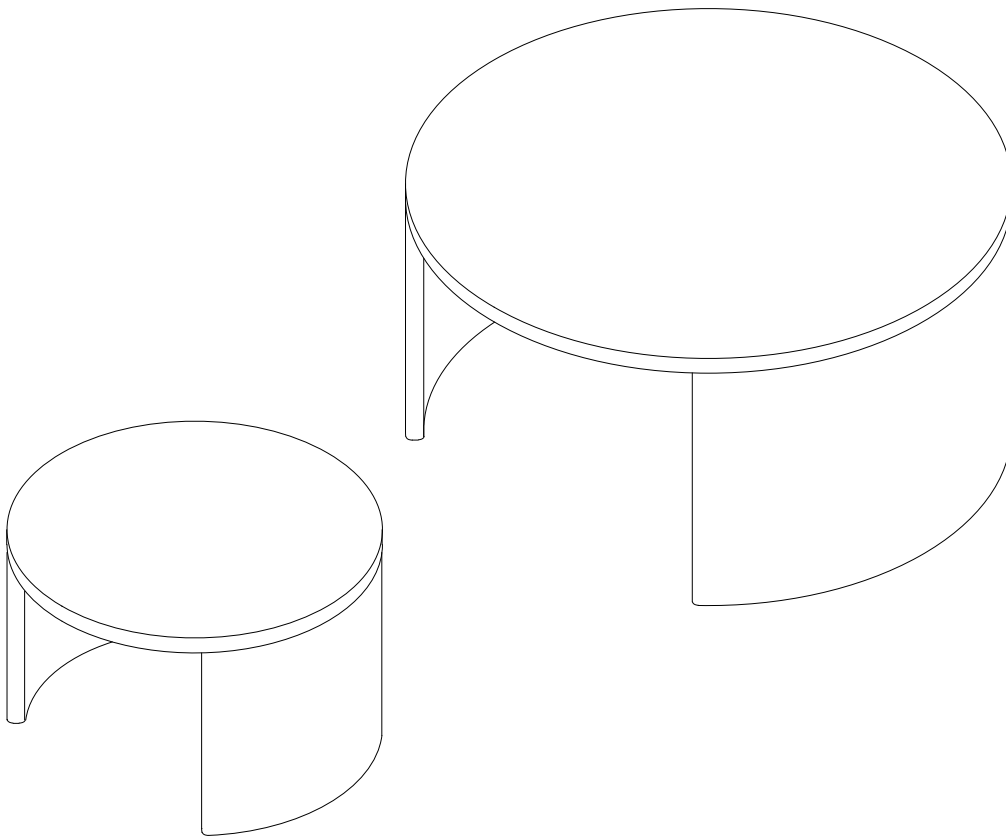


Owner Manual



Per Seat Weight Limitation

66 and 132 LBS

Thank You For Choosing Our Furniture

▼ *If you have any questions or concerns,
don't hesitate to reach out to us.* ▲

NOTE:








*This brochure contains
IMPORTANT safety info.
Please read and keep it
for future reference.*

MAINTENANCE AND WARNINGS



Before You Start

Please follow the steps below:




-  *Un box the package and check if all parts and accessories are complete.*
-  *Place the parts of the table on a flat surface.*
-  *Ensure the table is placed on a stable, flat surface to prevent it from tilting.*
-  *Avoid placing sharp or heavy objects directly on the table to prevent tears or deformation.*
-  *Follow the assembly instructions provided to attach the cushions, backrest, and armrests securely.*
-  *Clean the installation area in advance and ensure the ground is level and there is enough space to avoid damaging the furniture or making installation difficult.*
-  *Lay a protective mat on the ground to prevent scratching the floor during installation.*

After-Sales Service

- If you encounter any issues or need technical support during use, please contact our after-sales team. We offer long-term maintenance and warranty services.*





Precautions

-  *This table is for indoor use only. Do not expose it to outdoor elements or high-humidity environments.*
-  *Keep the product away from high heat or open flames to prevent fire hazards.*
-  *Do not allow children or pets to play on the table unsupervised to avoid accidents.*



Safety Warnings

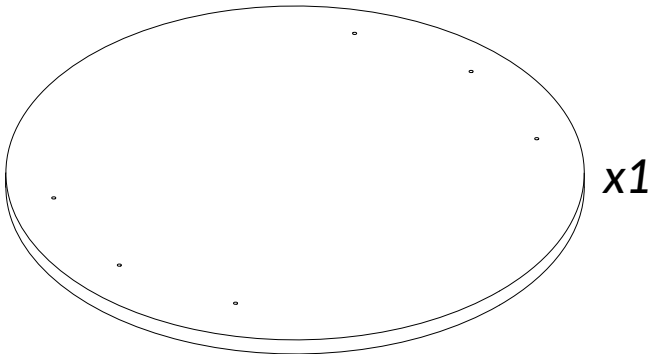
-  *If you notice any loose or damaged parts, stop using the table immediately and contact customer service.*
-  *Do not attempt to disassemble or replace any components yourself, as this may affect the stability and safety of the product.*

Daily Maintenance

- *For fabric tables, it is recommended to vacuum weekly and clean the fabrics needed.*
- *For leather tables, use a leather cleaner regularly to clean and maintain the material. Avoid direct sunlight to prevent leather aging.*
- *In case of spills, immediately blot the area with a clean, dry cloth.*

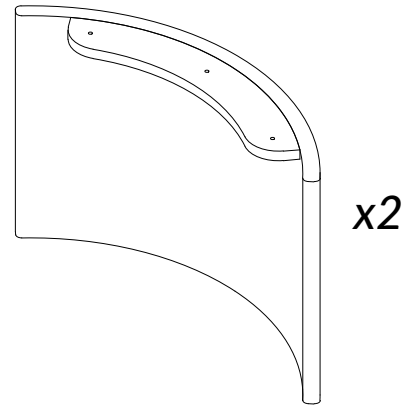
Parts List

A



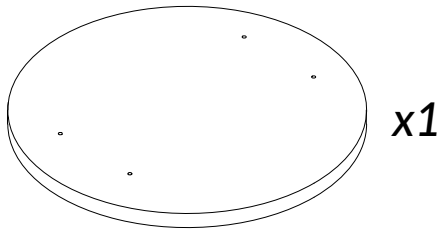
Big table top

B



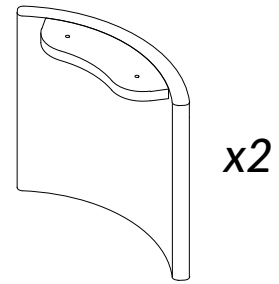
Big table legs

C



Small table top

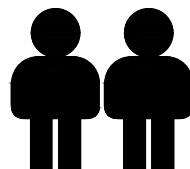
D



Small table legs



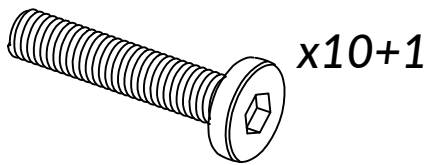
*Installation:
15minutes.*



Two Person

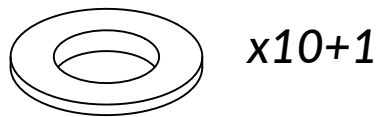
Hardware List

1



M8x55mm

2



3

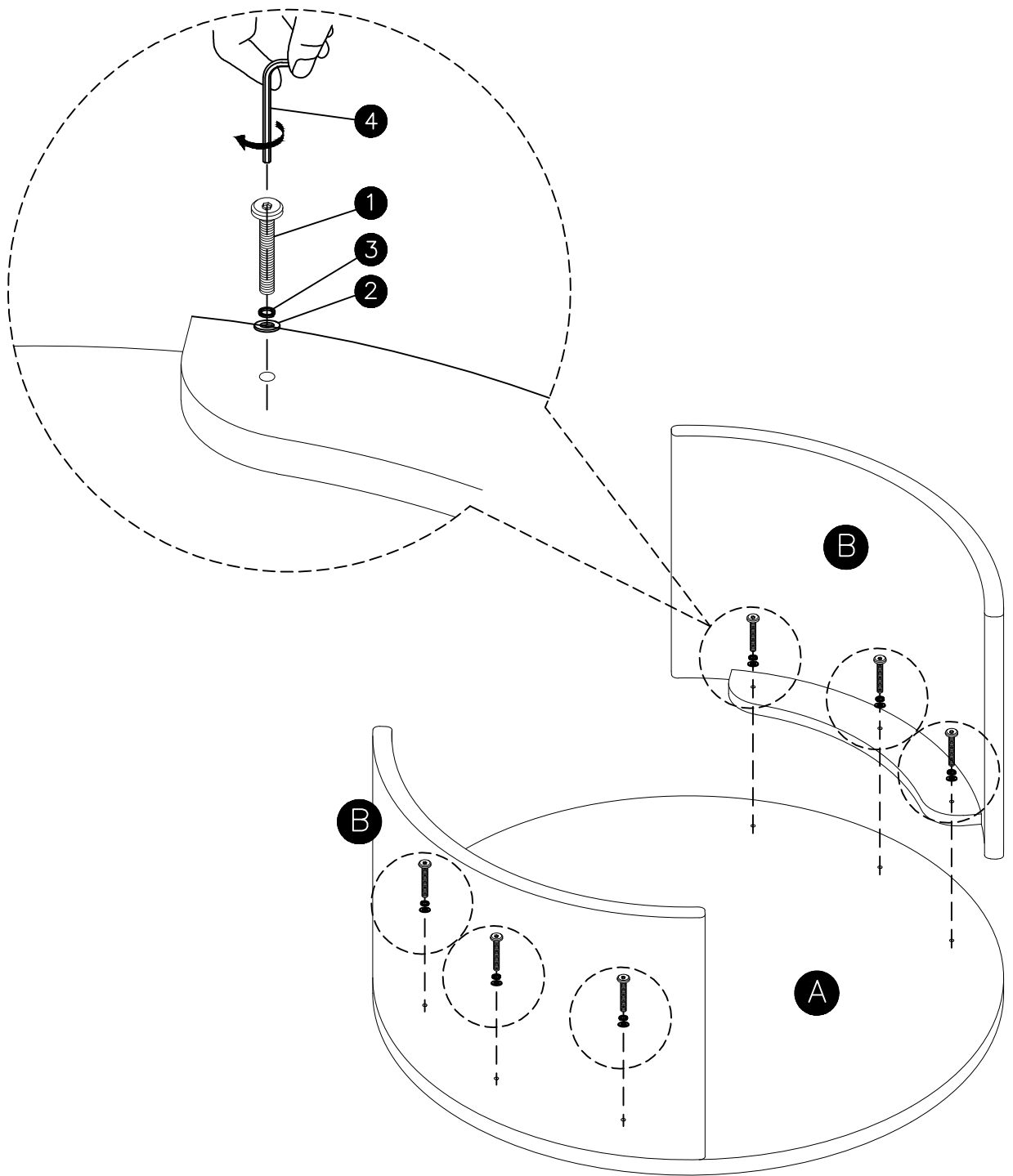


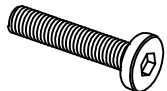



4



Step 1

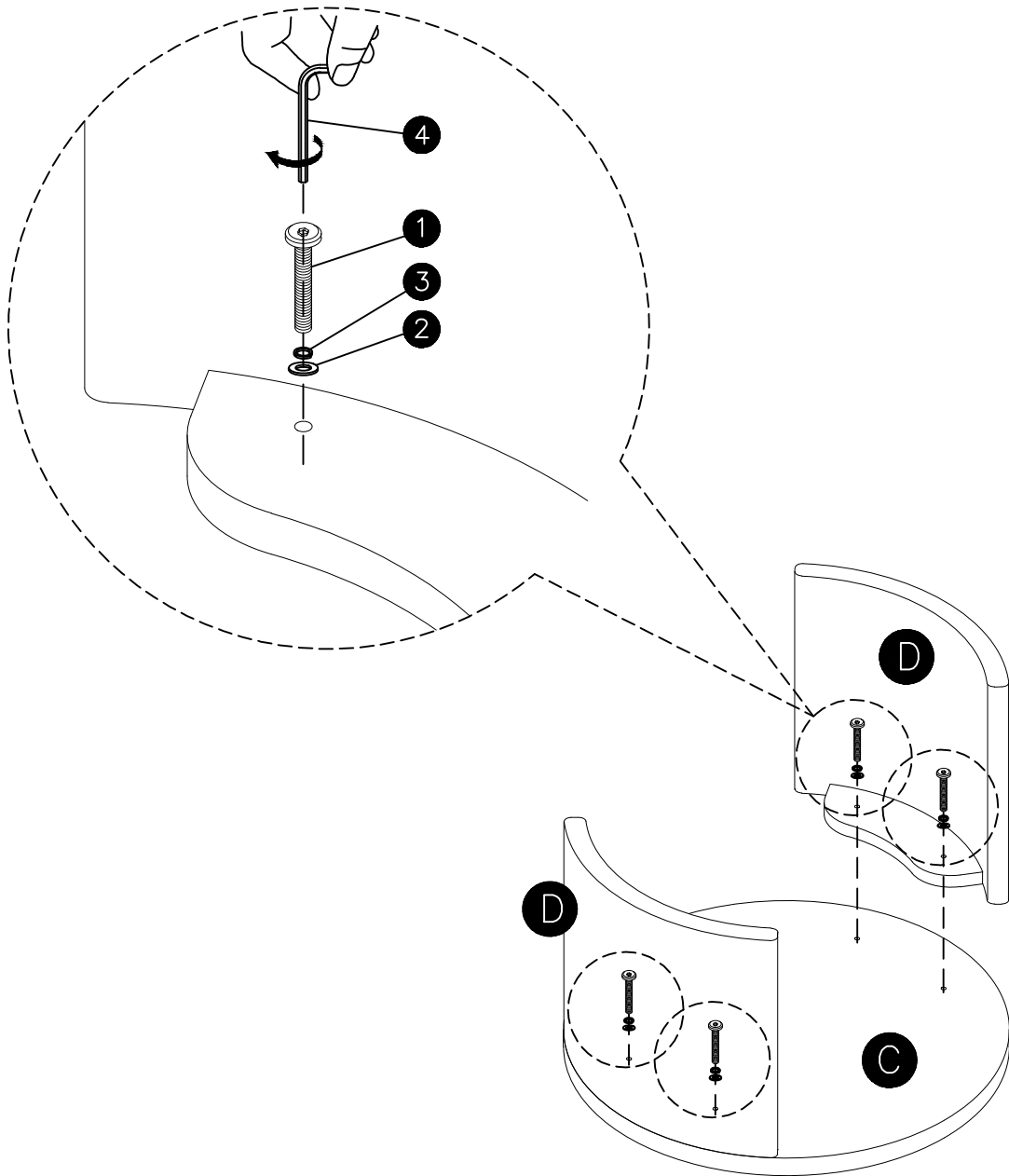
Assembly Big table

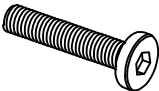
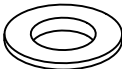

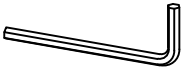


1	x6	2	x6	3	x6	4	x1
							
M8x55mm							

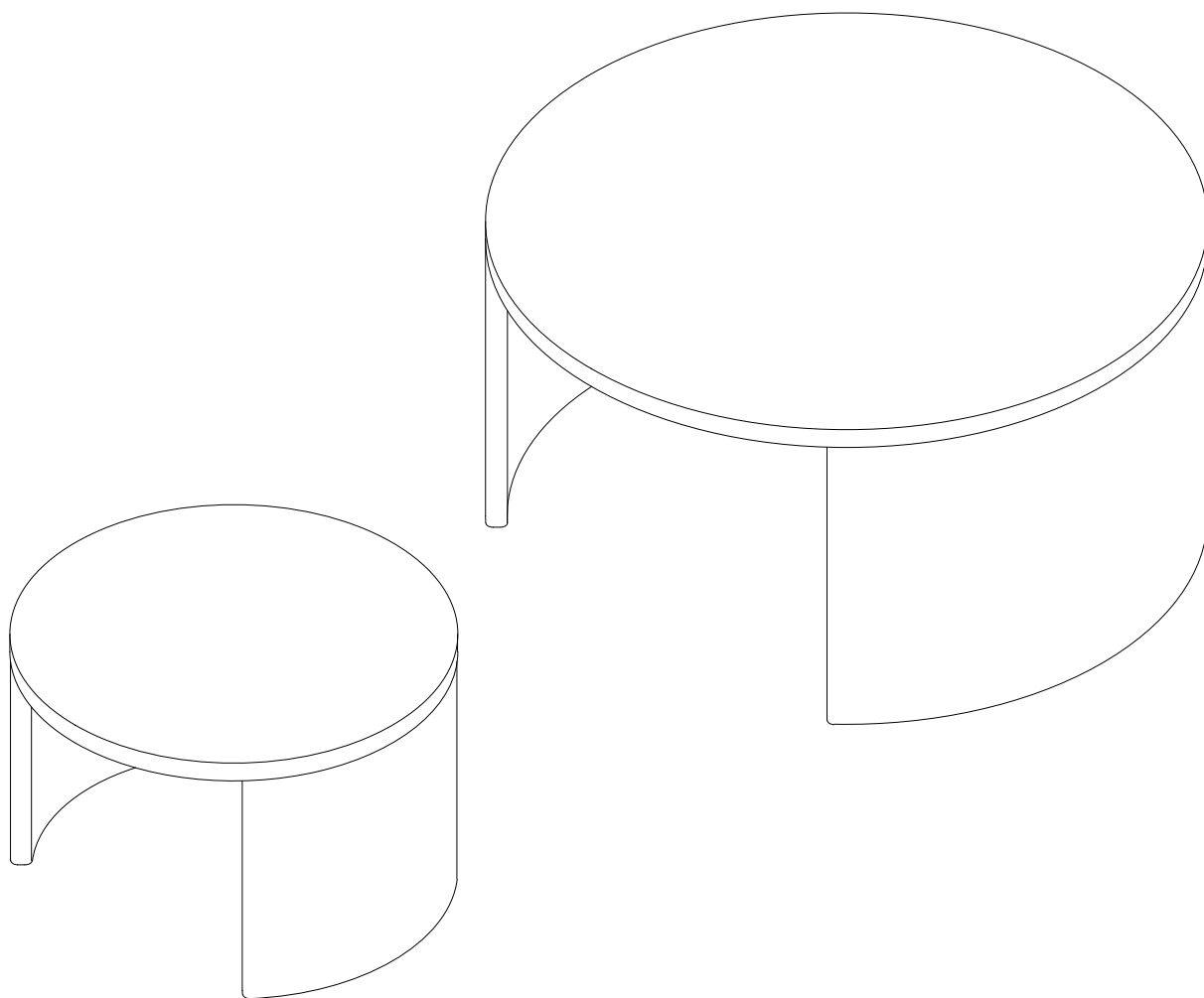
Step 2

Assembly Small table



1	x4	2	x4	3	x4	4	x1
							
M8x55mm							

Step 3



Assembly completed.

WARRANTY

- *We strive to offer quality products, and we also try our best to satisfy every customer who orders from us with products or services as needed.*
- *We provide 30 days warranty starting from the time you receive the item. Each customer must provide a record of their orders such as the order number, or item receipt for any items that are out of the warranty period you may also still receive.*
- *Replacement parts by purchasing them from our company if they are available.*
- *For return, please check the return policy with the retailer or market place you bought from*