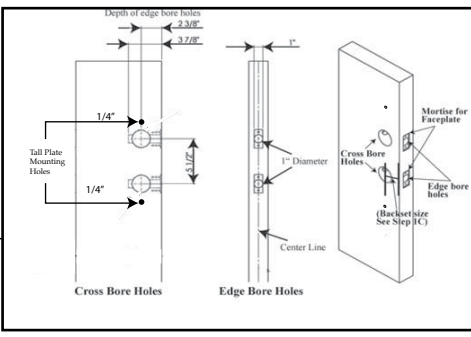


Note: Entrance Tall Plates fit doors 1-3/4" to 2" thick.

WARNING: USE OF POWER DRIVER WILL STRIP SCREW HEADS

A

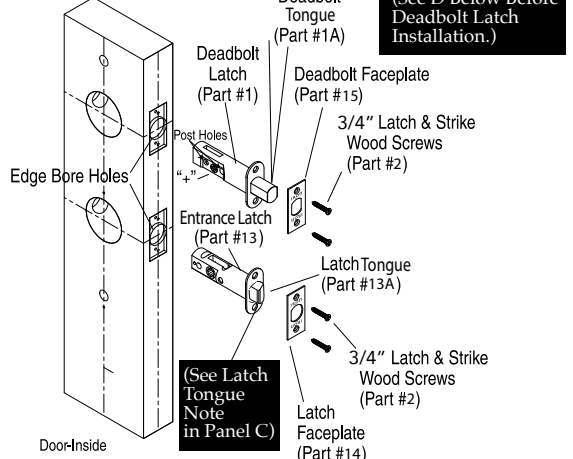
USE INCLUDED DOOR PREPARATION TEMPLATE FOR NON-PREPARED DOORS.



USE INCLUDED PLASTIC TEMPLATE TO LOCATE AND DRILL THE TWO TALL PLATE 1/4" MOUNTING HOLES. (See note on reverse side.)

B

Install deadbolt and entrance latches.

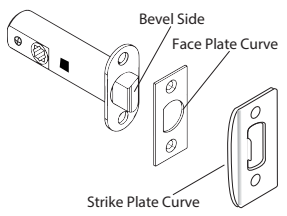


(See D Below Before Deadbolt Latch Installation.)

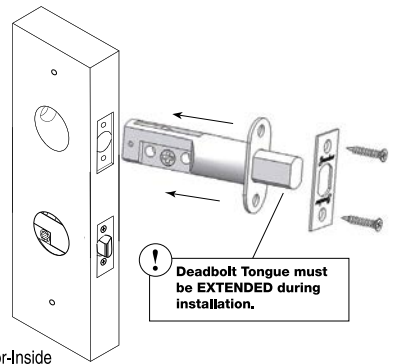
(See Latch Tongue Note in Panel C)

C Latch Tongue Note

Bevel side of latch tongue should contact curved end of face plate, and curved end of strike plate.



D Deadbolt Latch Tongue Note



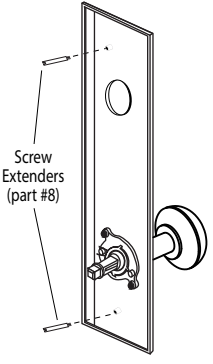
Door-Inside

Deadbolt Tongue must be EXTENDED during installation.

E

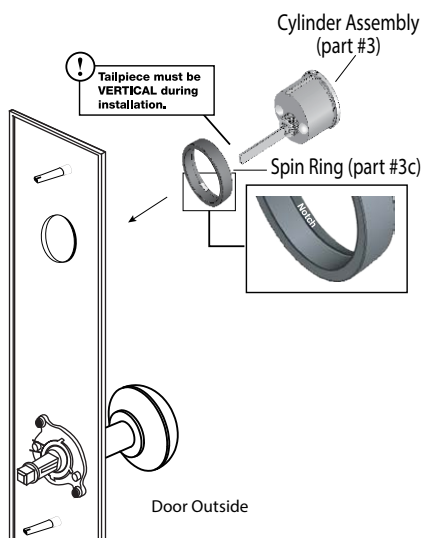
Intall screw extenders into exterior tall plate.

Tighten securely.



Door Outside

F Install cylinder into exterior tall plate.



Door Outside

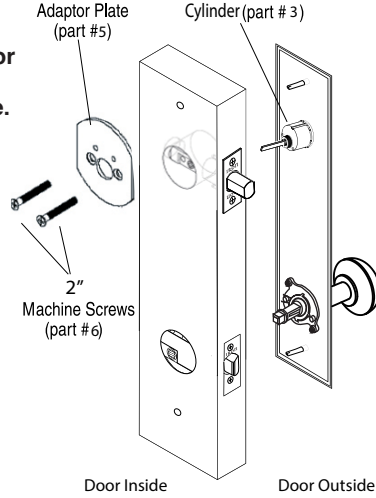
! Tallpiece must be VERTICAL during installation.

G

Place exterior tall plate on door outside.

Attach deadbolt adaptor plate with provided screws.

DO NOT FULLY TIGHTEN THESE SCREWS.



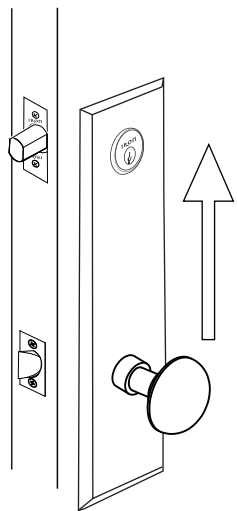
Door Inside

Door Outside

H

Slide exterior tall plate up, hold, and tighten deadbolt screws.

Check knob/lever operation. Latch tongue should retract and extend smoothly.



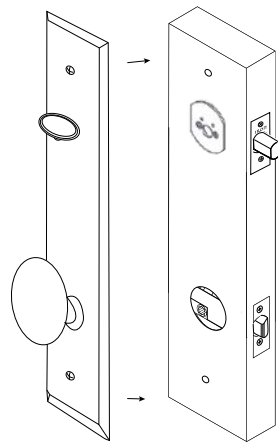
Door-Outside

I

Attach interior tall plate with included screws.

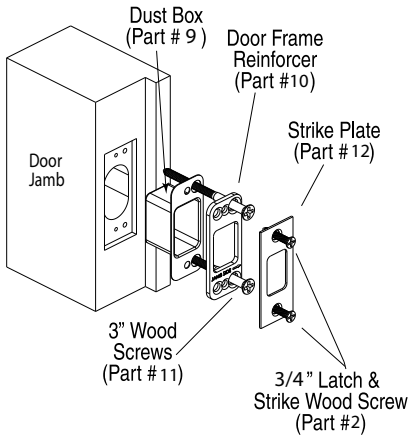
Check deadbolt operation by turning thumbturn and key.

Check knob/lever operation. Latch tongue should retract and extend smoothly.



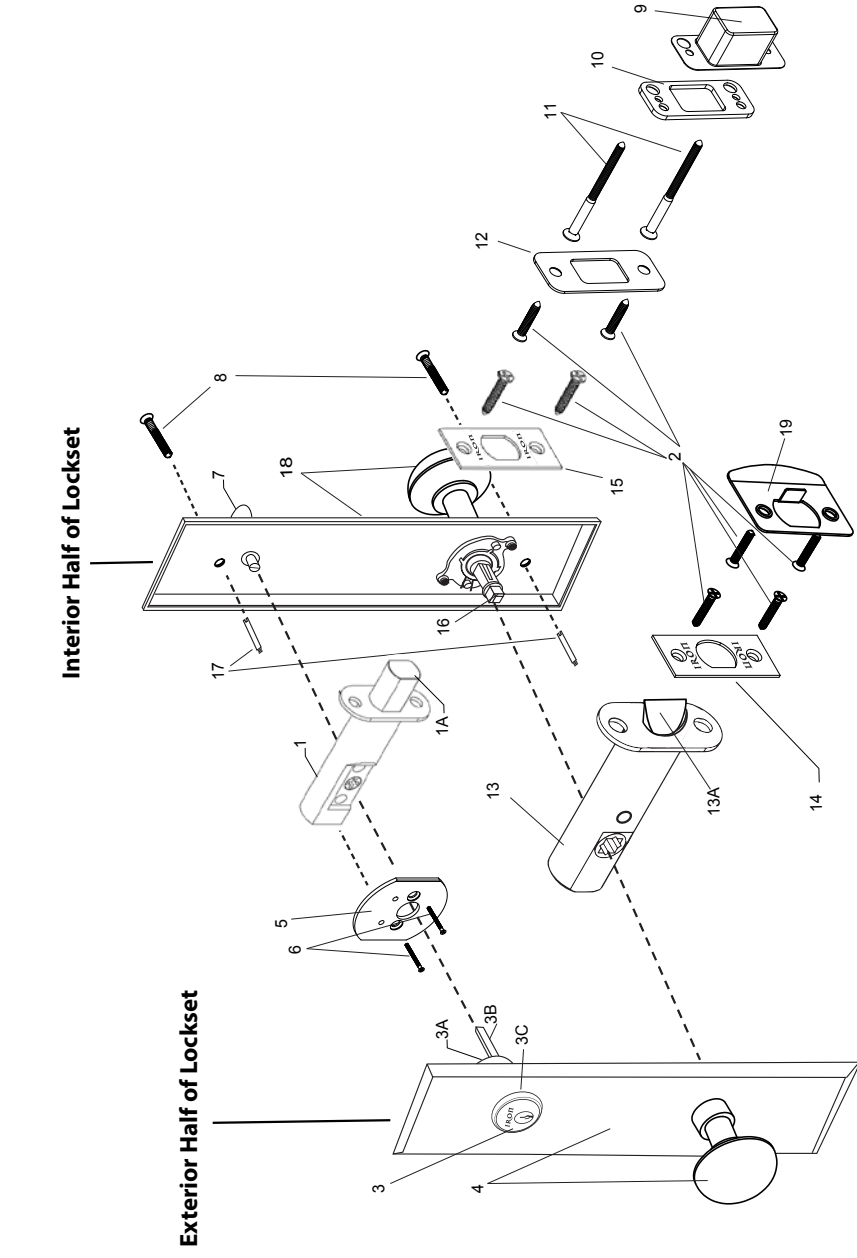
Door-Inside

J Install jamb strike plate.



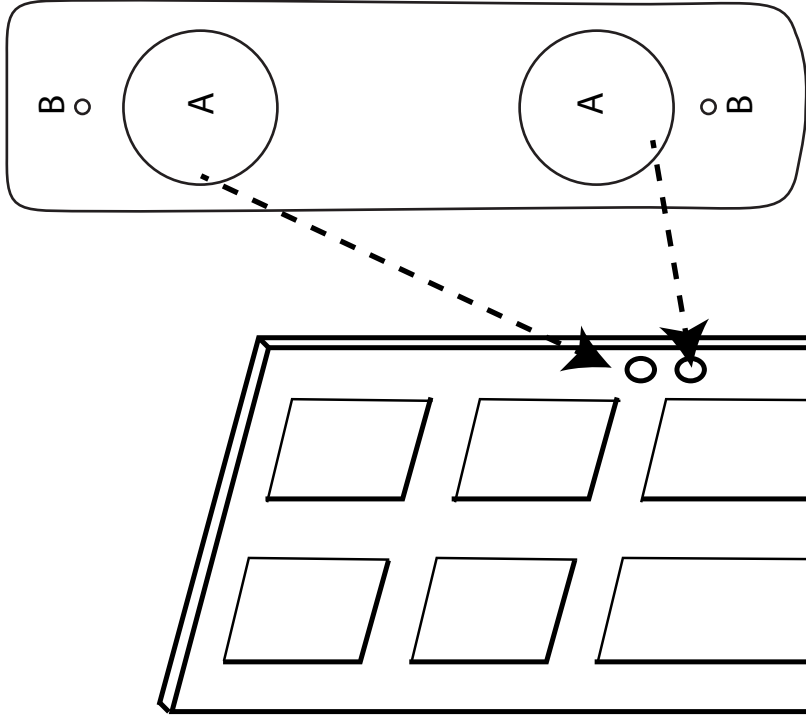
Door Jamb

Exploded Drawing for Tall Plate Entrance



Part Number	Part Description
-------------	------------------

- | | |
|-----|---|
| 1. | Deadbolt Latch |
| 1A. | Latch Tongue |
| 2. | 3/4" Faceplate & Strike Wood Screws (8) |
| 3. | Cylinder Assembly |
| 3A. | Cylinder Body |
| 3B. | Tailpiece |
| 3C. | Spin Ring |
| 4. | Exterior Tall Plate & Knob/Lever Deadbolt Adapter Plate |
| 5. | 2" Machine Screws (2) for 1-3/4" thick doors. 2-1/4" Machine Screws (2) for 2" thick doors. |
| 6. | Thumbturn Assembly |
| 7. | 1-1/2" Oval Head Machine Screws (2) |
| 8. | Dustbox for Deadbolt |
| 9. | Door Frame Reinforcer |
| 10. | 3" Reinforcer Wood Screws (2) |
| 11. | Strike Plate for Deadbolt |
| 12. | Entrance Latch |
| 13. | 13A. Latch Tongue |
| 14. | Latch Faceplate |
| 15. | Deadbolt Faceplate |
| 16. | Handleset Spindle |
| 17. | Screw Extenders (2) |
| 18. | Interior Tall Plate & Knob/Lever |
| 19. | Strike Plate for Handleset |



1. Push plastic template's large circles (A) into existing bore holes of door.
2. Use position of small holes (B) to mark and drill 1/4" holes through the door.