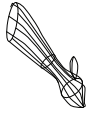


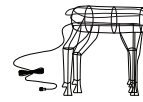
1

A

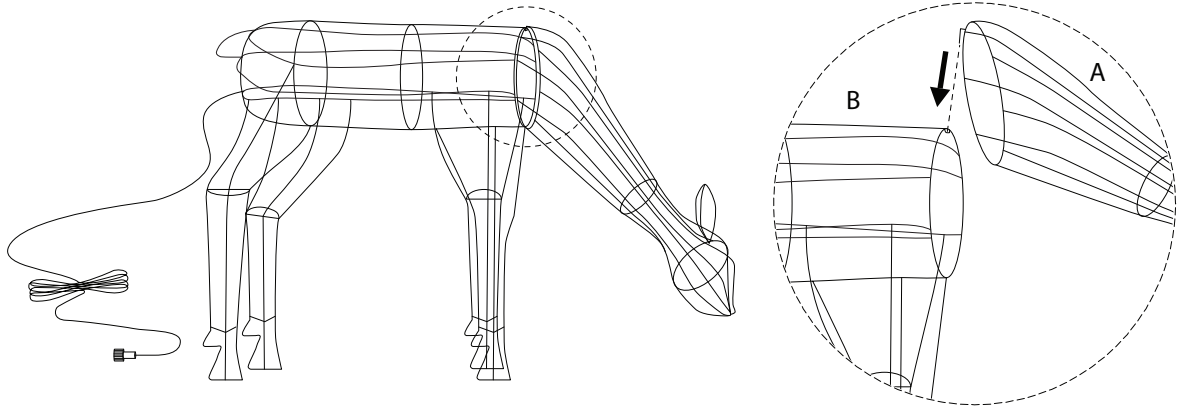


x 1

B

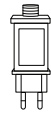


x 1



2

C



x 1

