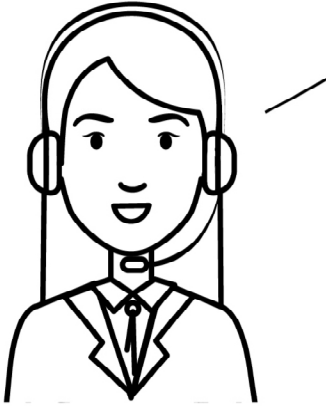
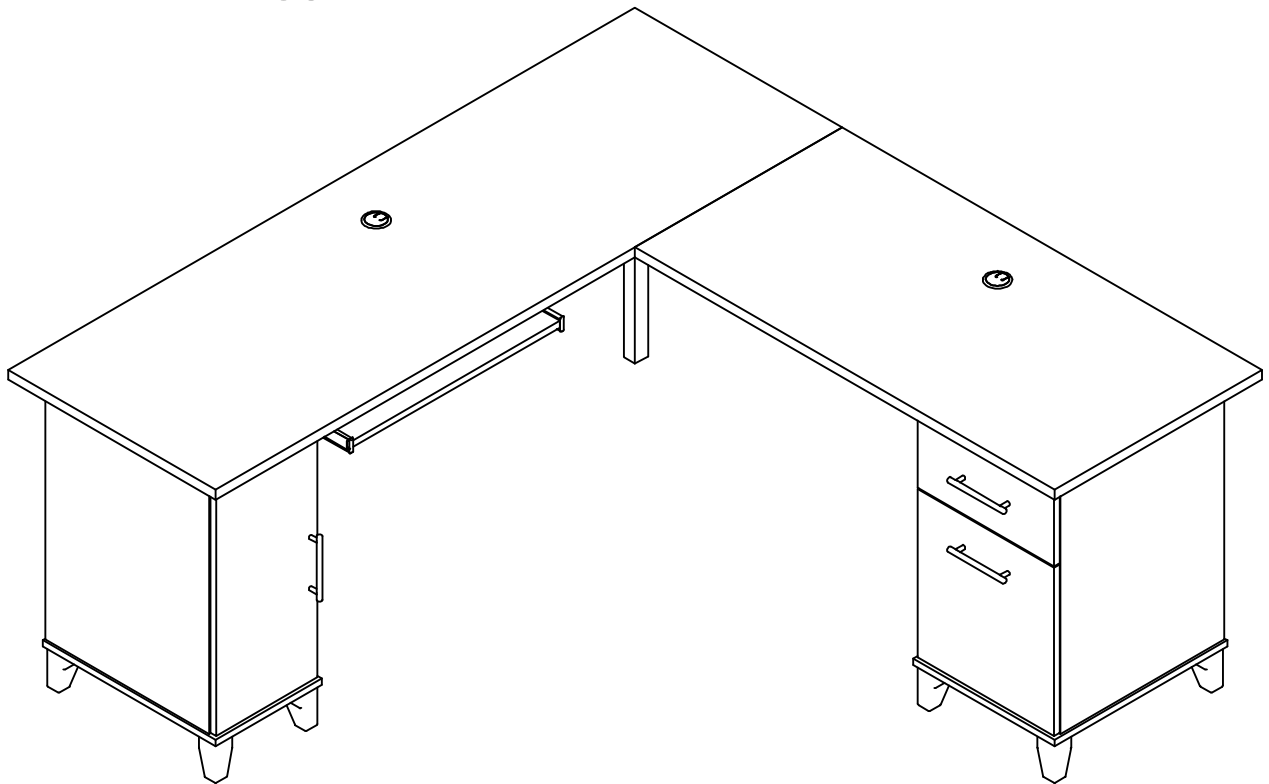


# Assembly Guide



## 72W L Desk



Lot Code #

Keep manual for future reference.

# Get Ready to Assemble

## For best results, keep these tips in mind:

- ① We know you want to finish this assembly as quickly as possible, but trust us: you'll have a better experience if you take it one step at a time.
- ② Give yourself some room to work near where you want the fully assembled product.
- ③ If your floor isn't carpeted, assemble this product on the empty carton to avoid scratching.
- ④ Do you have a friend who owes you a favor? Some steps may go a little easier with a second set of hands.

### DOs

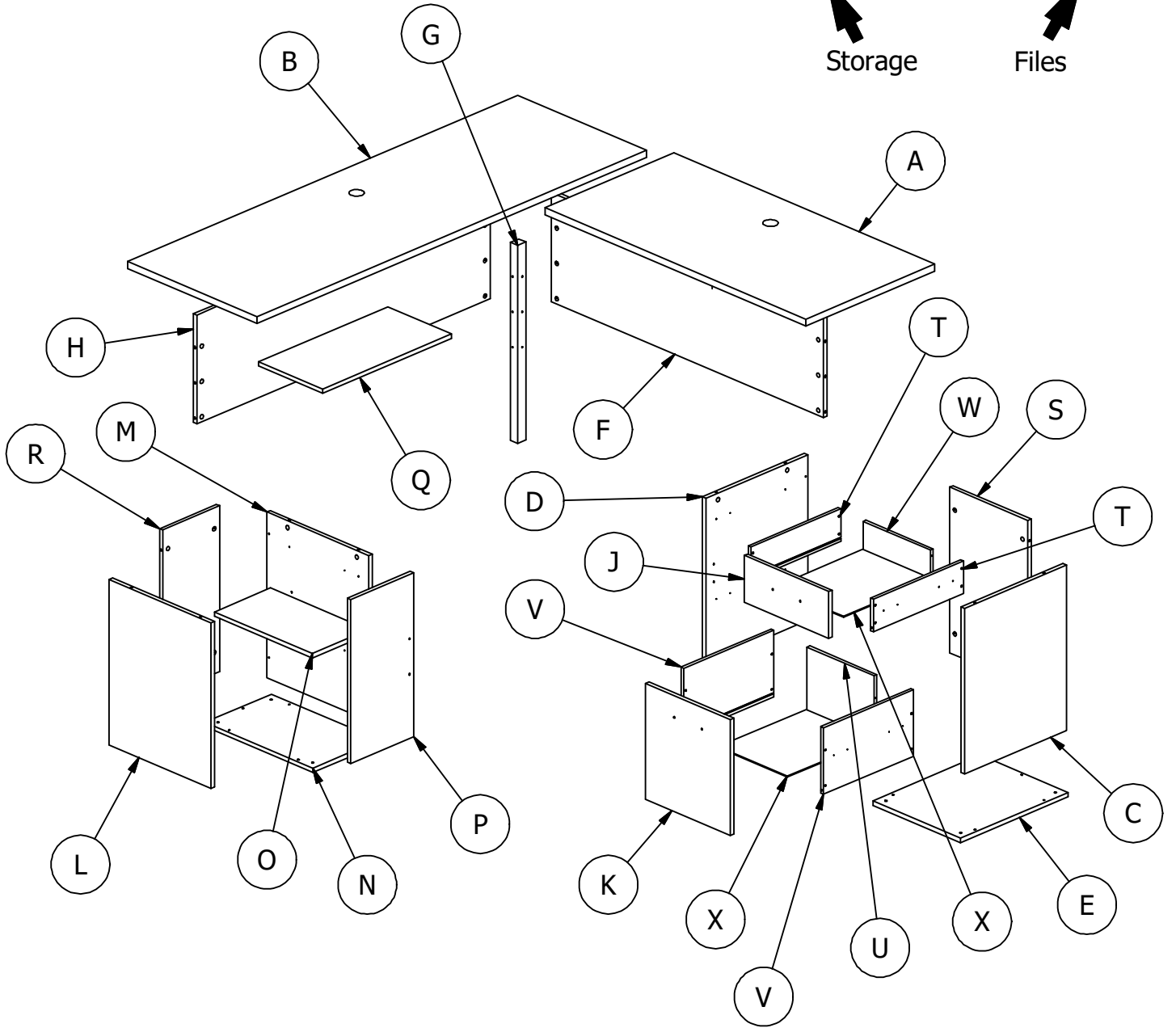
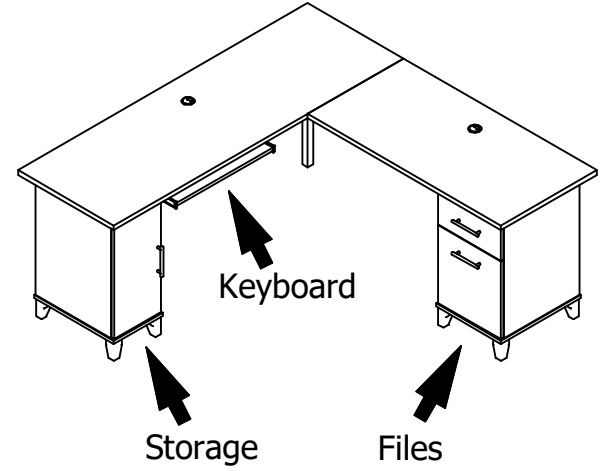
- ✔ Use a #2 Phillips head screwdriver (or other handheld tools as indicated)
- ✔ Wear safety glasses at all times during assembly
- ✔ Carefully follow the instructions in this guide and complete all steps in order
- ✔ Give us a call if you're having trouble with a particularly tricky step

### DON'Ts

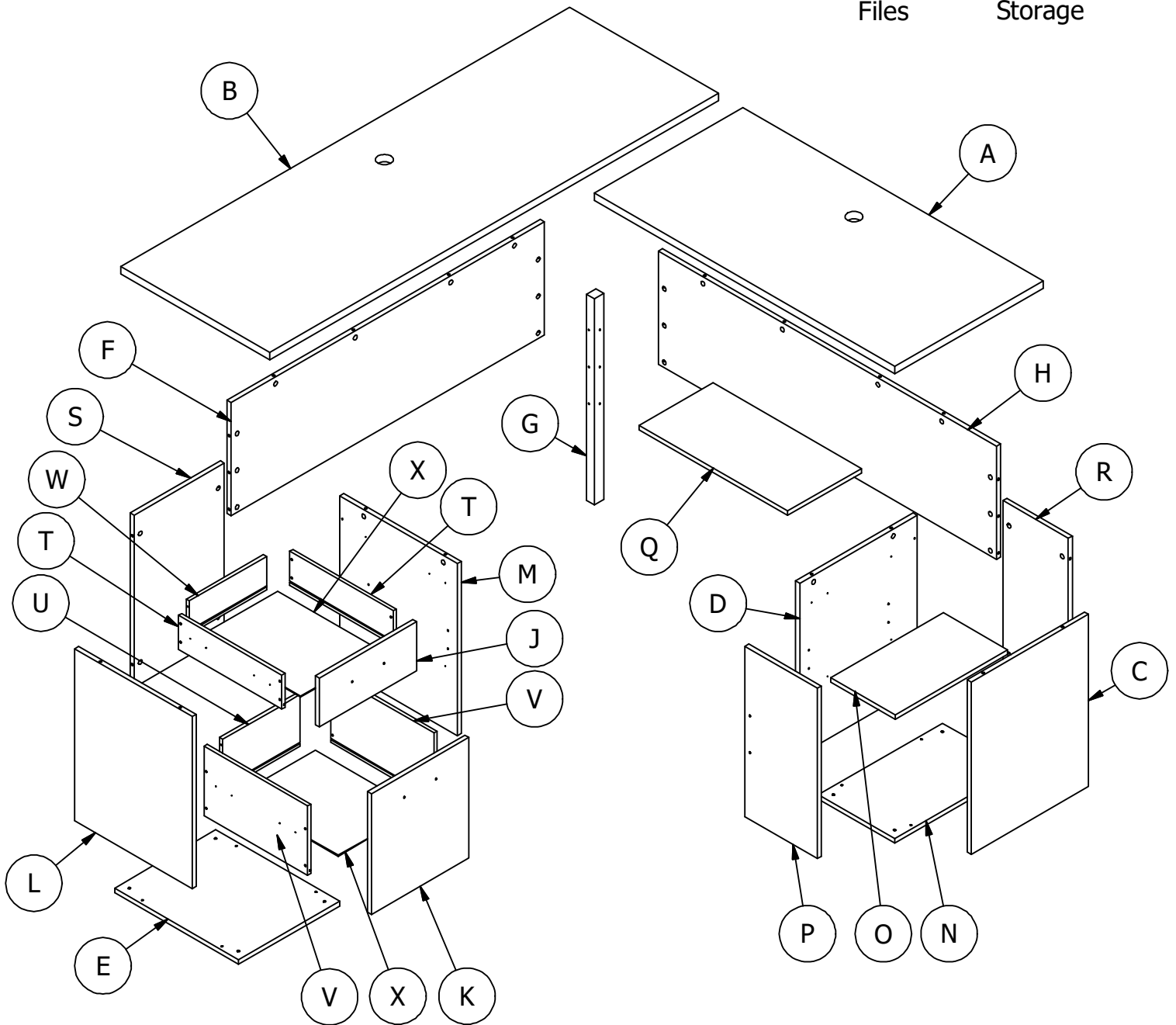
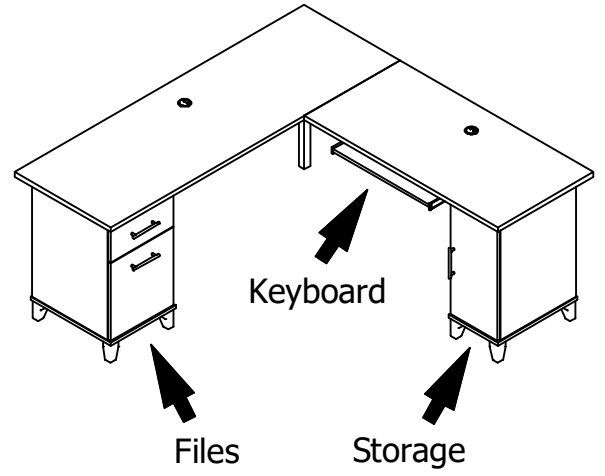
- ✘ We know power tools are quick and easy, but you shouldn't use them when assembling this product (unless otherwise specified)
- ✘ Never move your furniture with items inside or resting on the surface
- ✘ Do not attempt to use this product before all steps have been completed



# Assembly Option 1

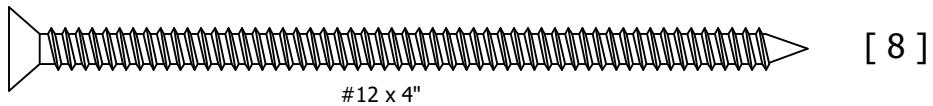
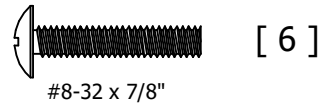
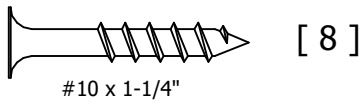
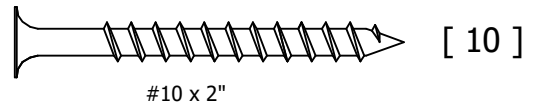
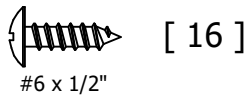
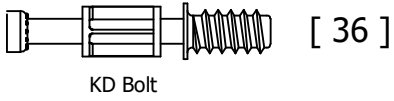
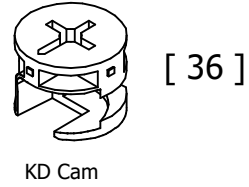
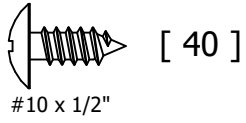


# Assembly Option 2



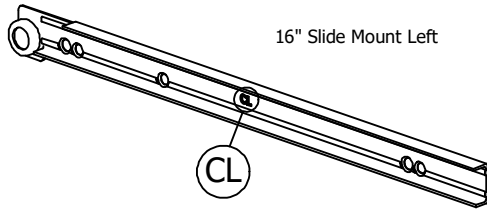
# Get to know your Fasteners

Fasteners are shown actual size.



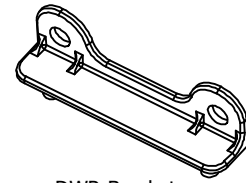
# Get to know your Hardware

Hardware not to scale.



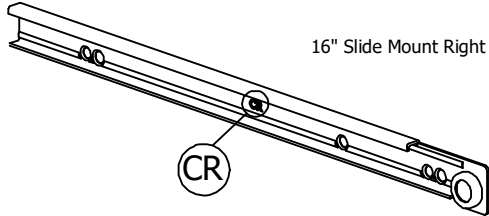
16" Slide Mount Left

[ 1 ]



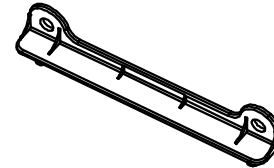
DWR Bracket

[ 2 ]



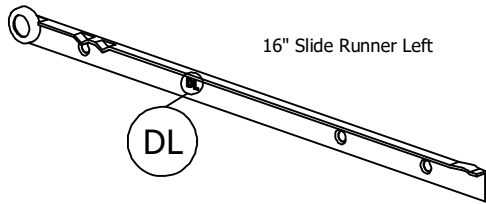
16" Slide Mount Right

[ 1 ]



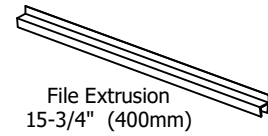
Drawer Bracket

[ 2 ]



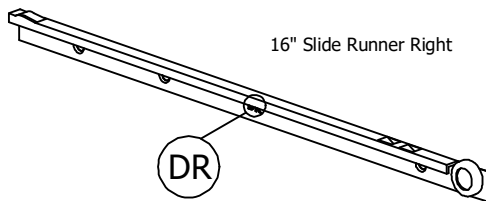
16" Slide Runner Left

[ 1 ]



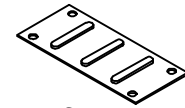
File Extrusion  
15-3/4" (400mm)

[ 2 ]



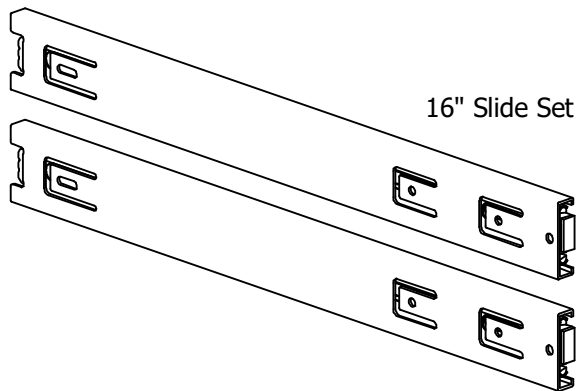
16" Slide Runner Right

[ 1 ]



Strap

[ 2 ]

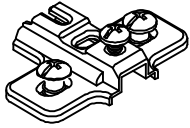


16" Slide Set

[ 1 ]

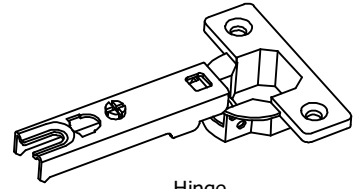
# Get to know your Hardware

Hardware not to scale.



[ 2 ]

Mounting Plate



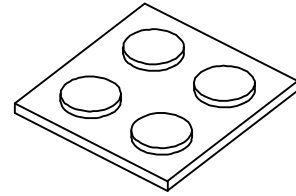
[ 2 ]

Hinge



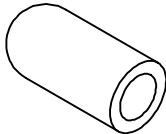
[ 4 ]

Shelf Pin



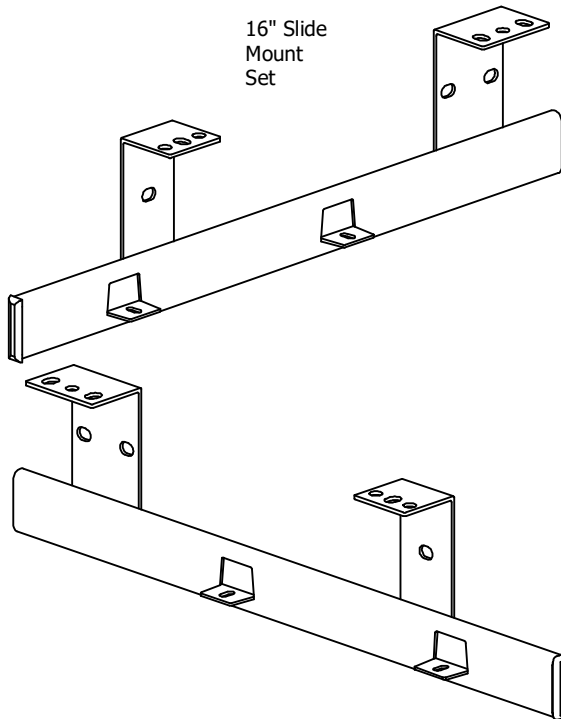
[ 2 ]

Bumper (4) per pack



[ 4 ]

Shelf Pin Sleeve

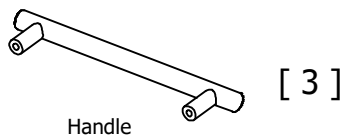
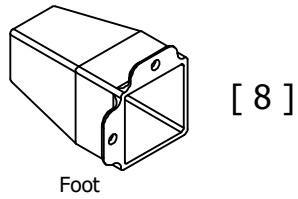
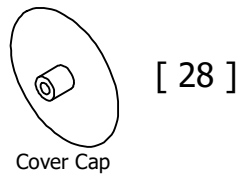
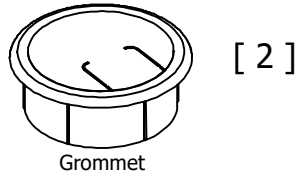


16" Slide  
Mount  
Set

[ 1 ]

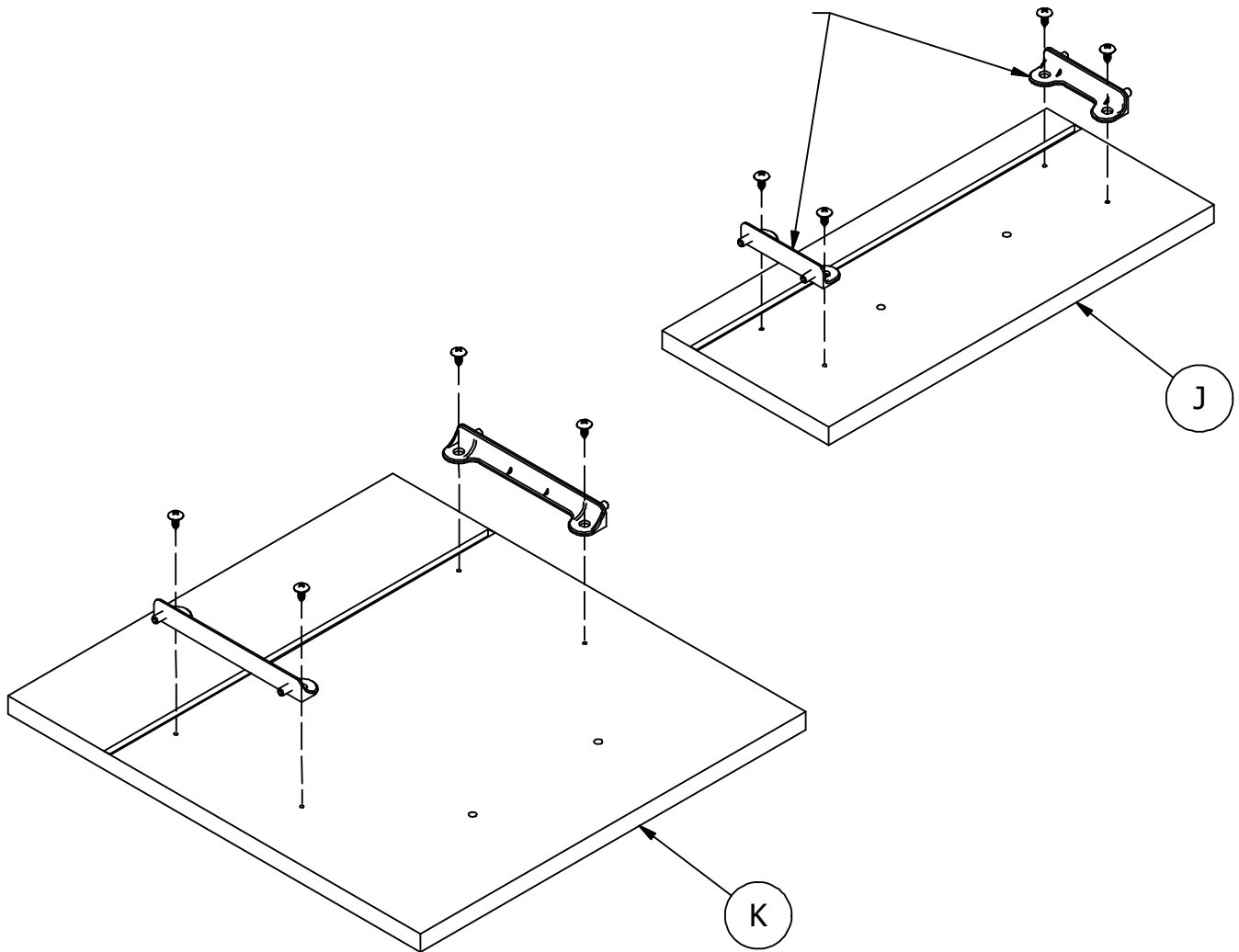
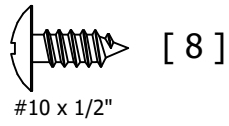
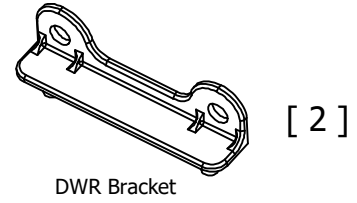
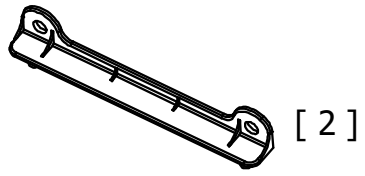
# Get to know your Hardware

Hardware not to scale.




# STEP 1

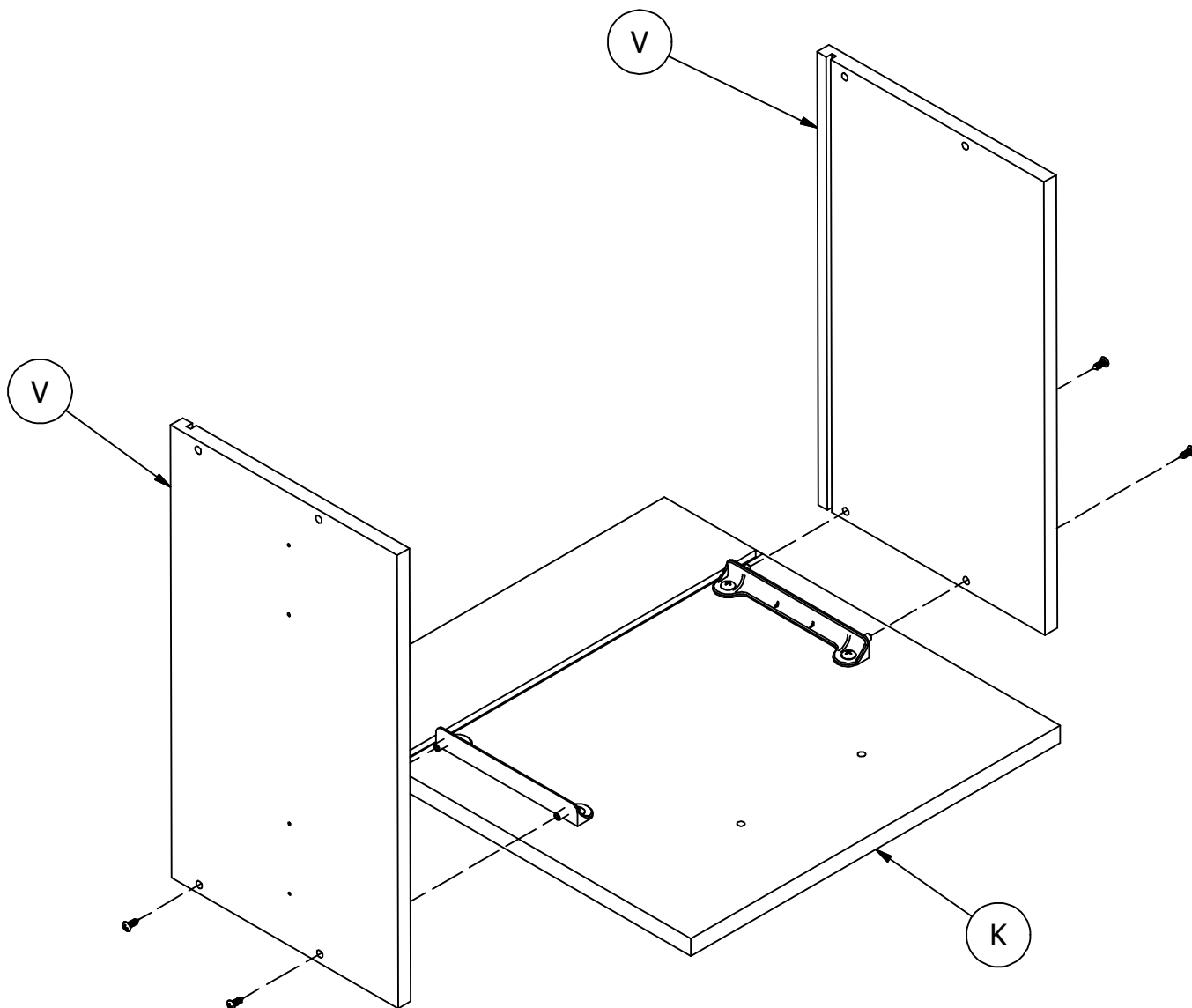
# Prepare Drawer Fronts



# STEP 2

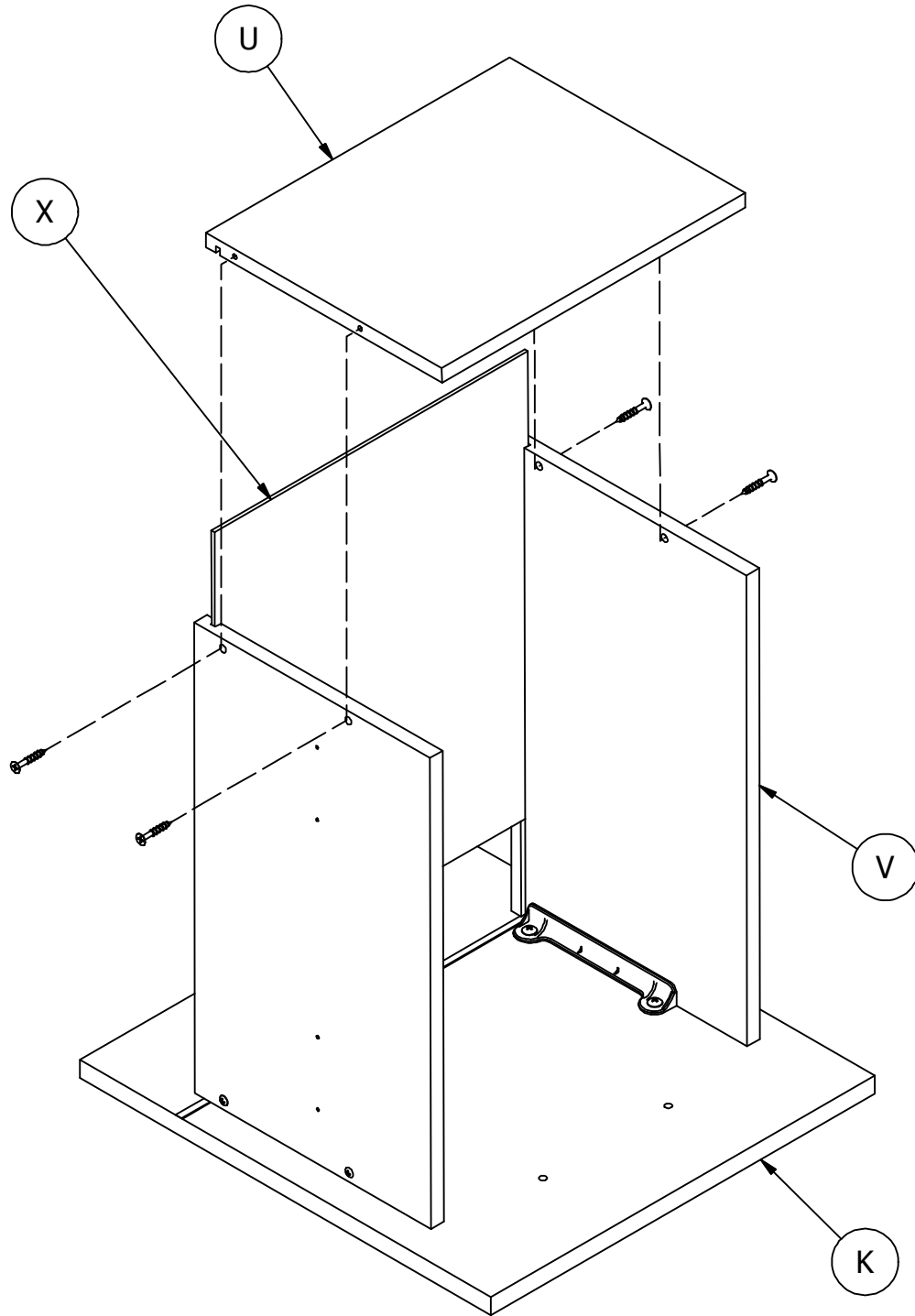
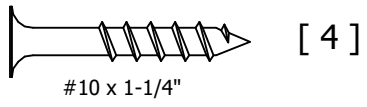
# Build Drawer

 [ 4 ]  
#6 x 1/2"



# STEP 3

# Build Drawer



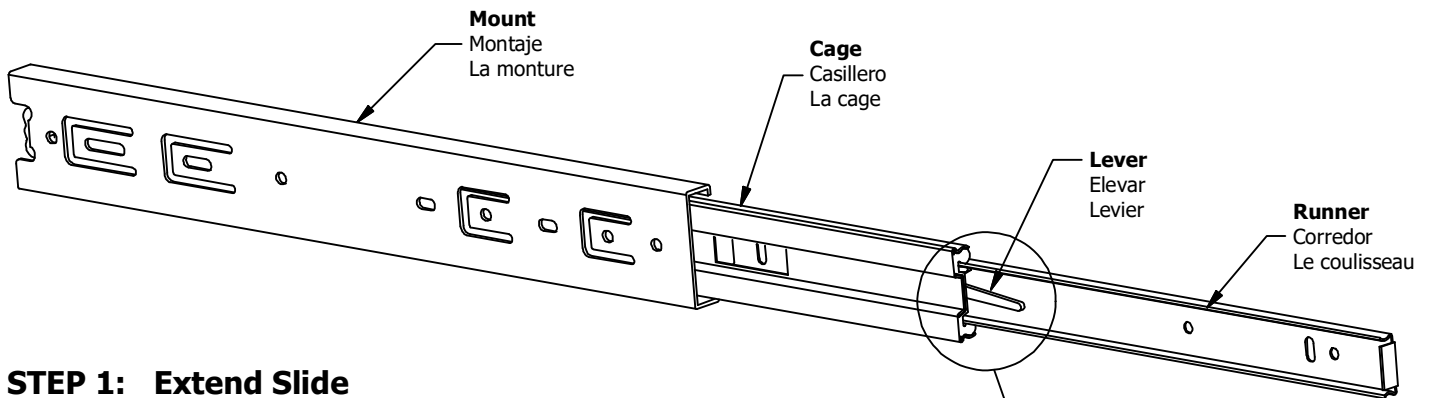
# STEP 4

# Separate Slides

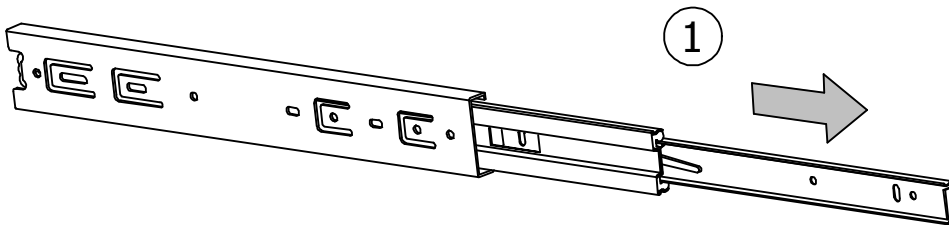
**Slides Must Be Separated Before Assembly.  
After Separated, Set Aside Until Needed for Assembly.**

Las diapositivas deben separarse antes del montaje.  
Después de la separación, déjelo a un lado hasta que sea necesario.

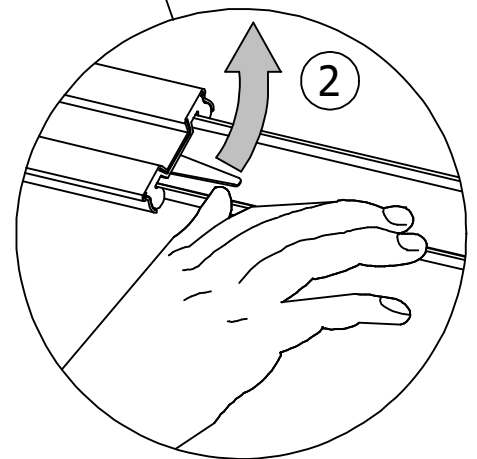
Les glissières doivent être séparées avant l'assemblage.  
Après la séparation, mettez de côté jusqu'au moment de l'assemblage.



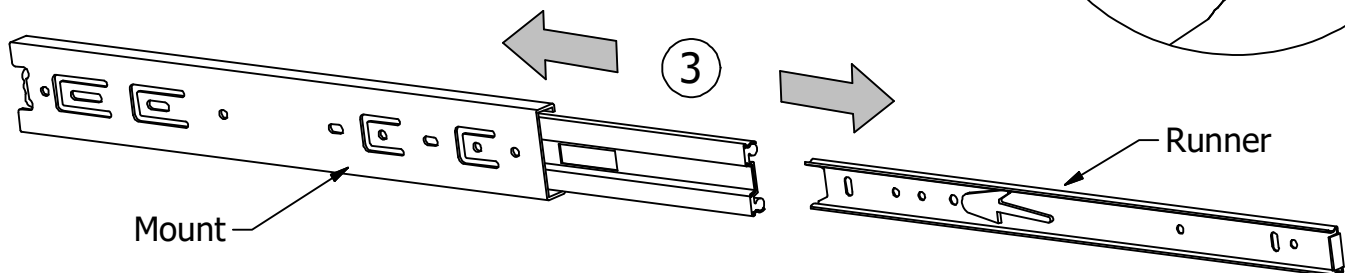
**STEP 1: Extend Slide**  
Extender la diapositiva  
Extendre la diapositive



**STEP 2: Push Lever UP**  
Empujar hacia arriba  
Lever le levier

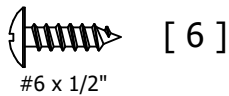
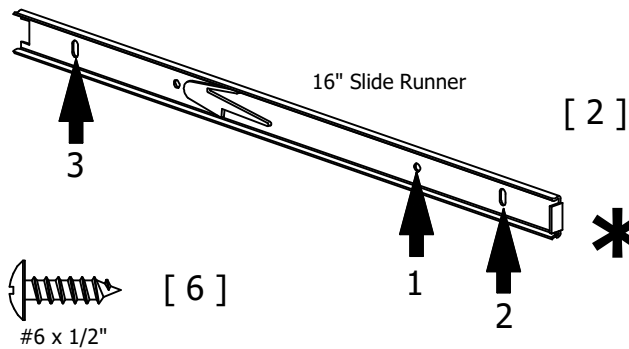


**STEP 3: Remove Runner**  
Quitar el corredor  
Enlever le coureur

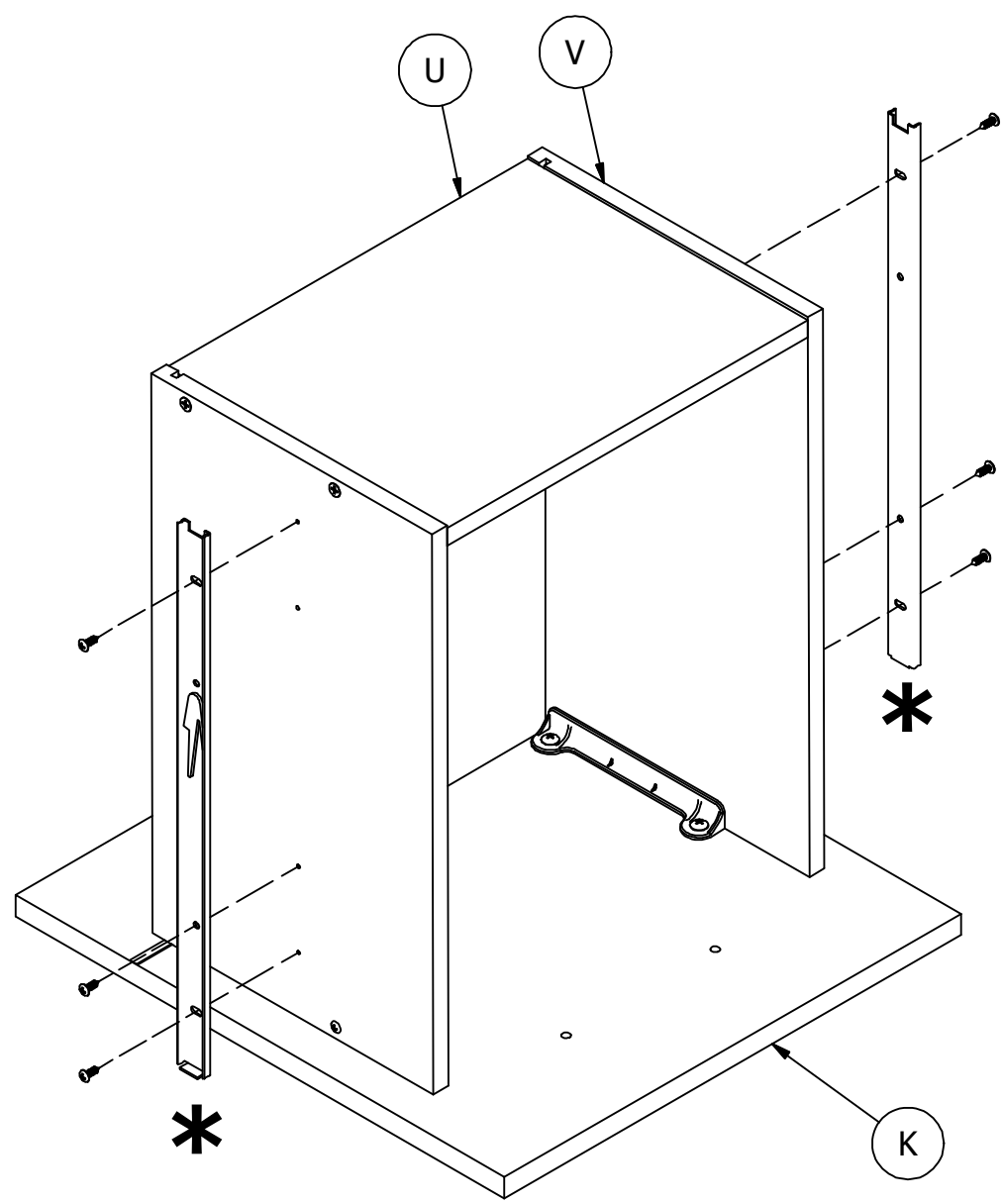


# STEP 5

# Build Drawer



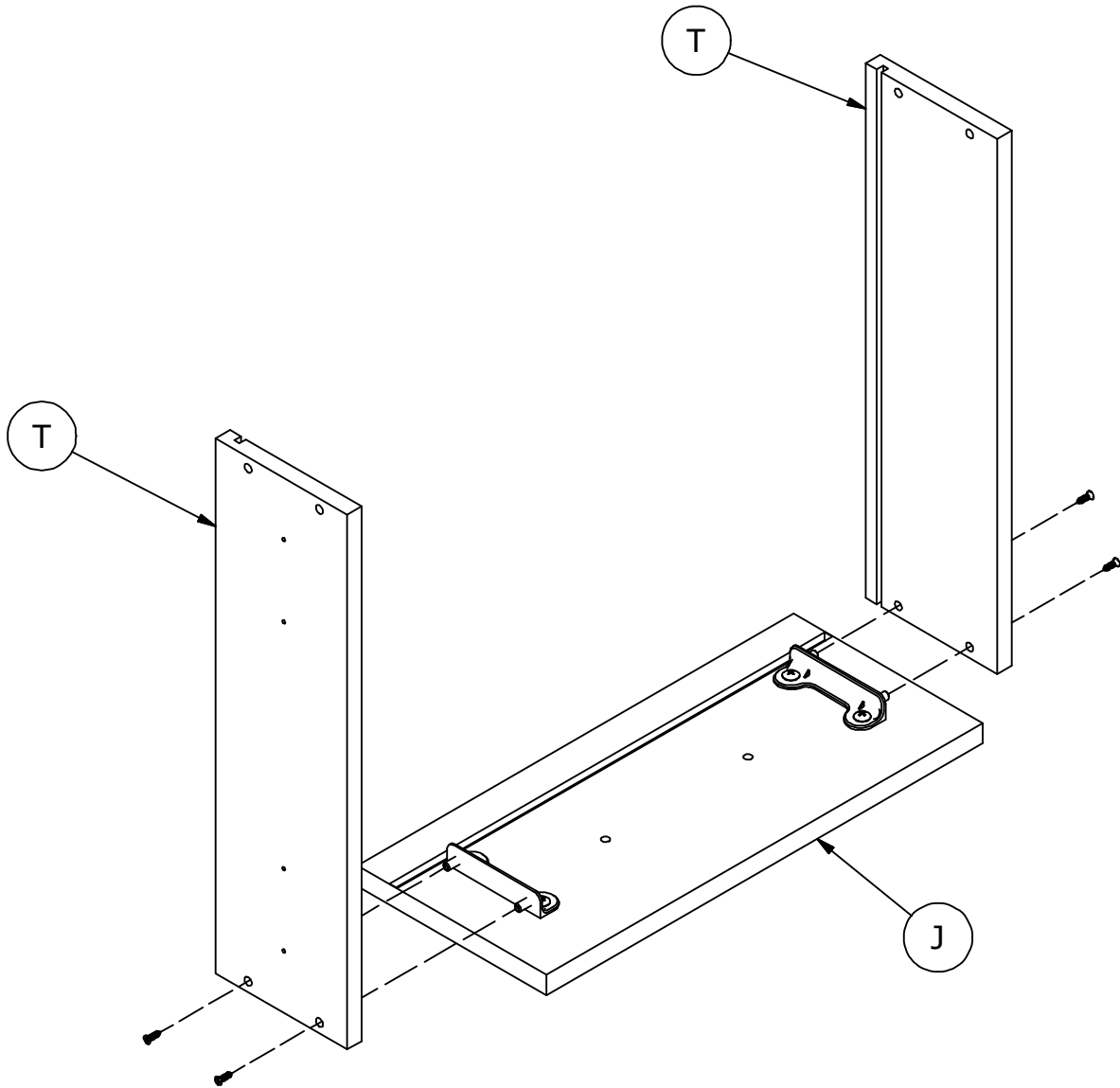
\* Orientation  
Orientación  
L'orientation



# STEP 6

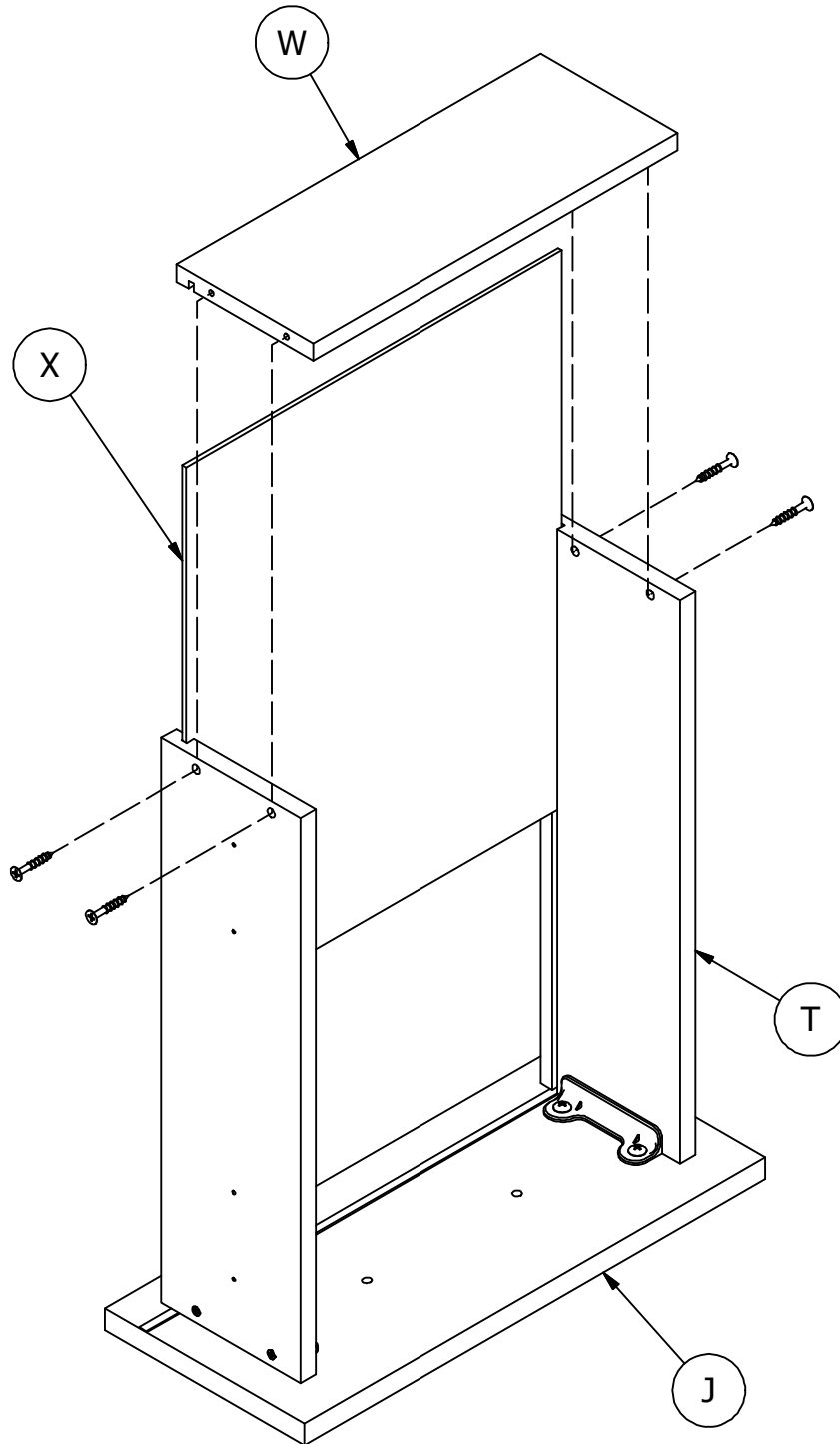
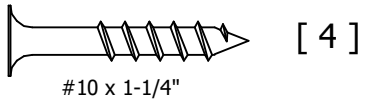
# Build Drawer

 [ 4 ]  
#6 x 1/2" Silver



# STEP 7

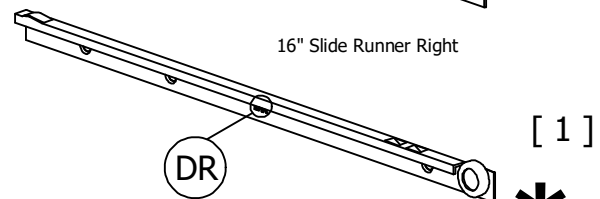
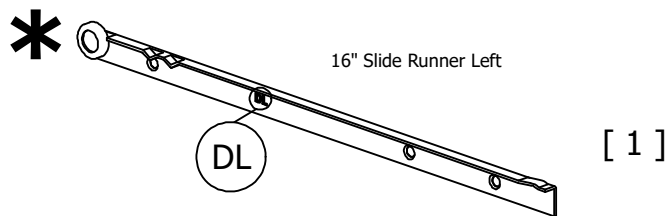
# Build Drawer



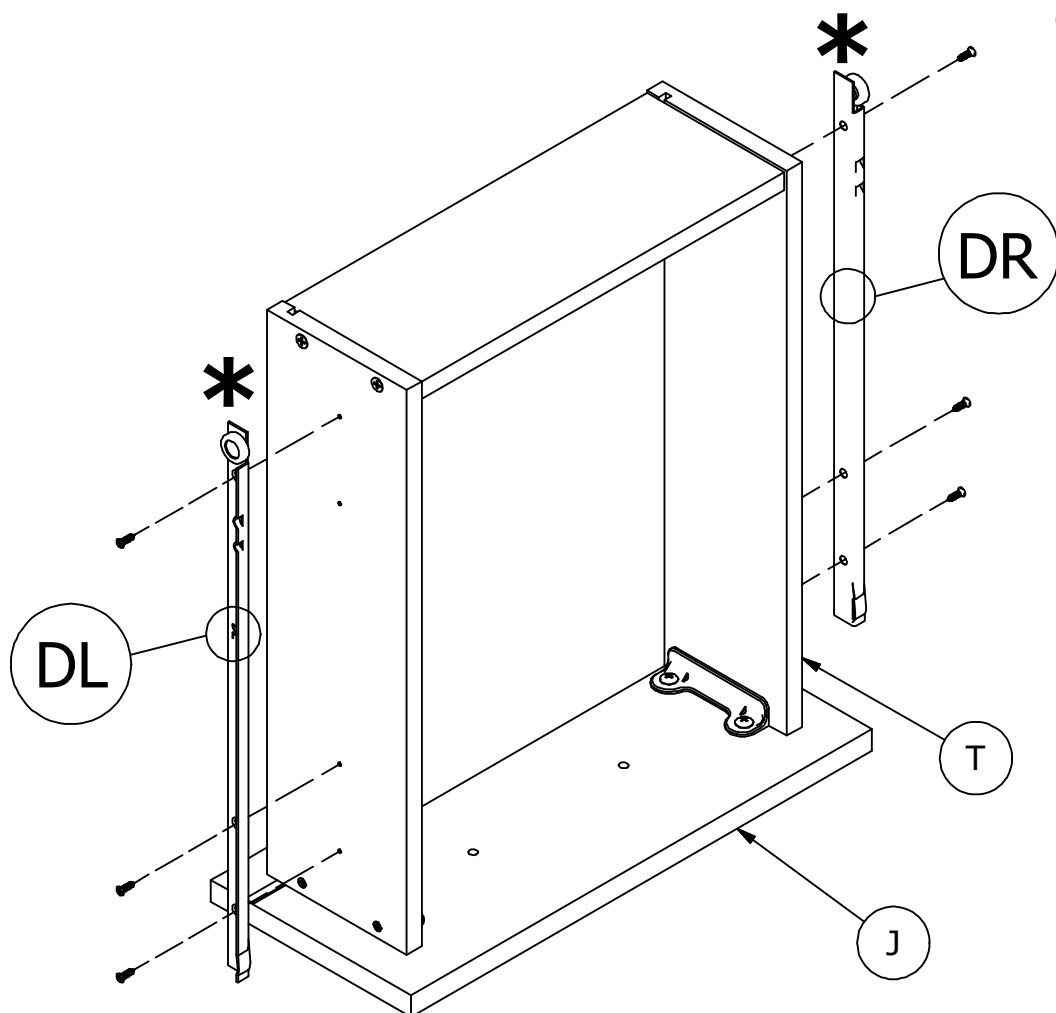
# STEP 8

# Build Drawer

 [ 6 ]  
#6 x 1/2" Silver

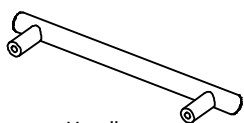


\*  
Orientation  
Orientación  
L'orientation



# STEP 9

# Build Drawers



[ 2 ]

Handle



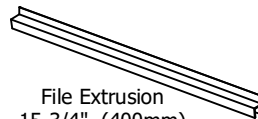
[ 4 ]

Bumper



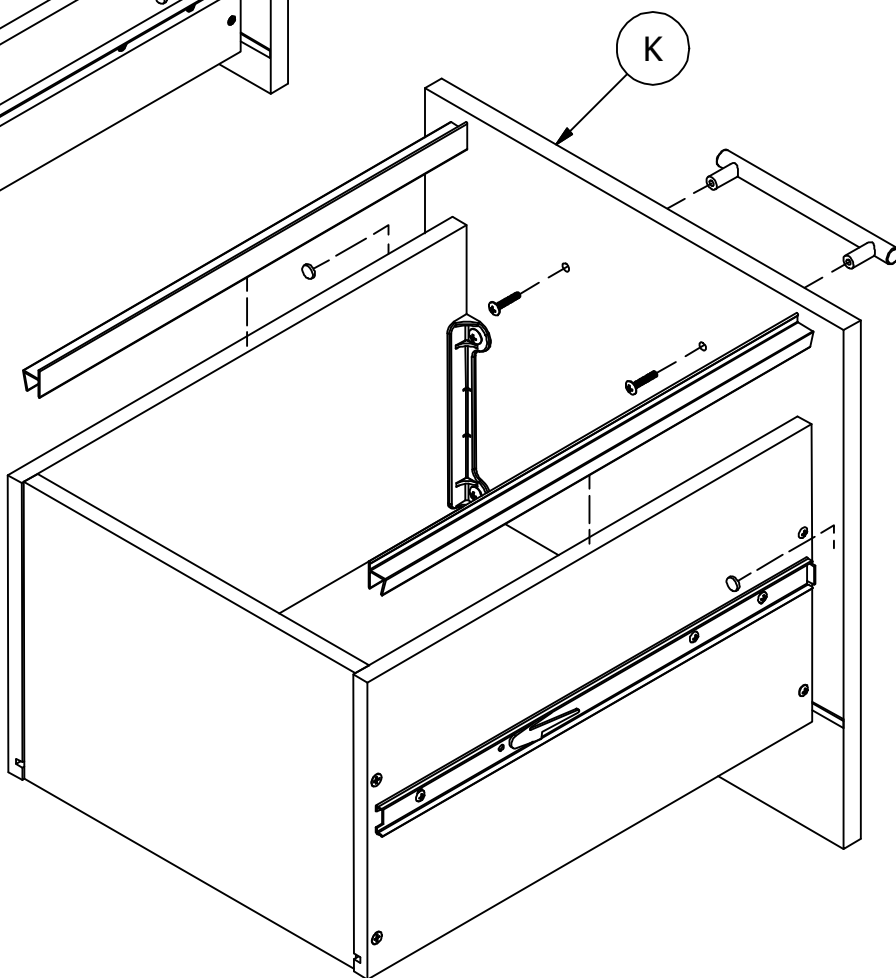
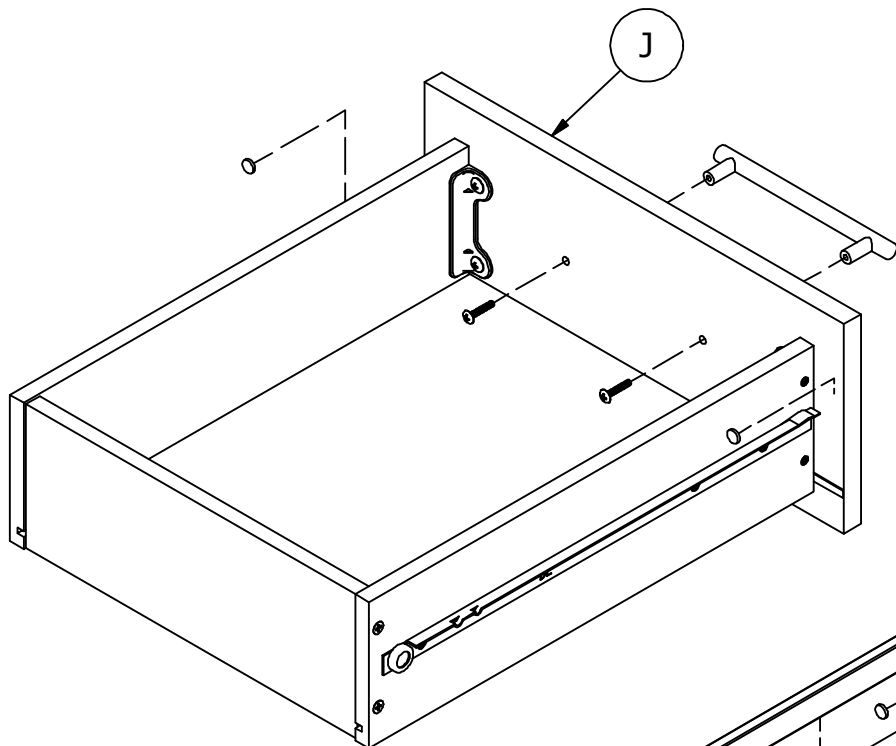
[ 4 ]

#8-32 x 7/8"



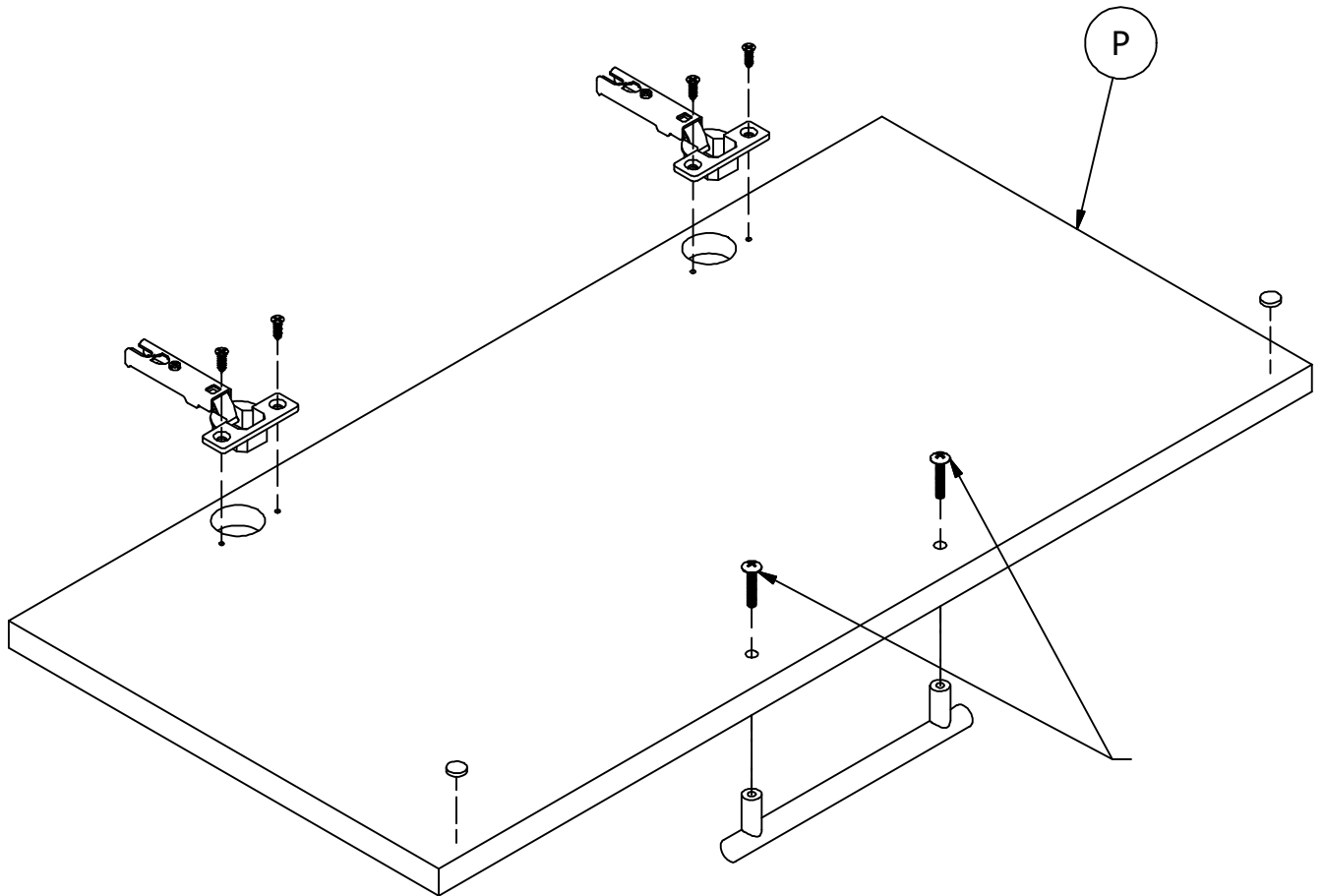
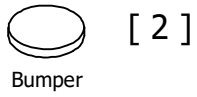
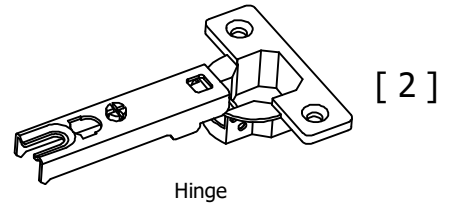
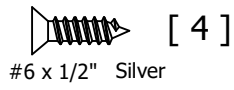
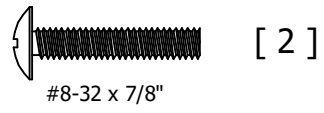
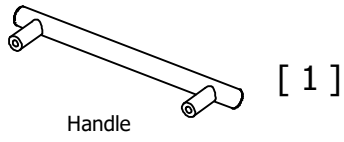
[ 2 ]

File Extrusion  
15-3/4" (400mm)

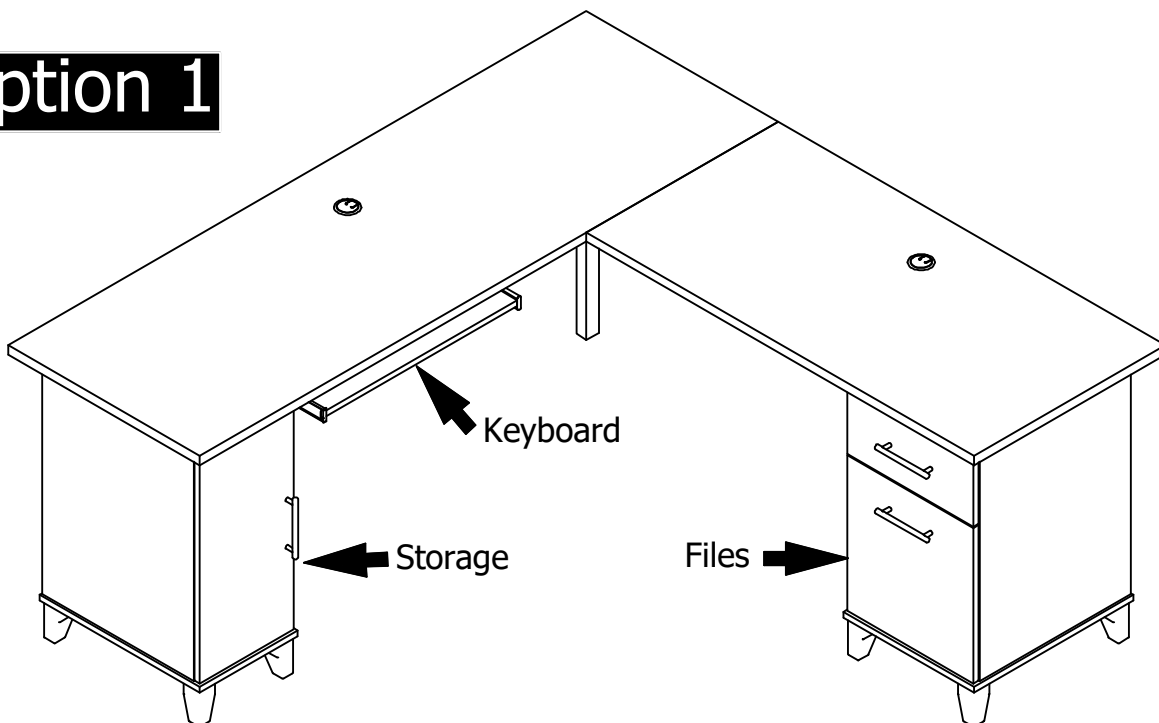


# STEP 10

# Prepare Door

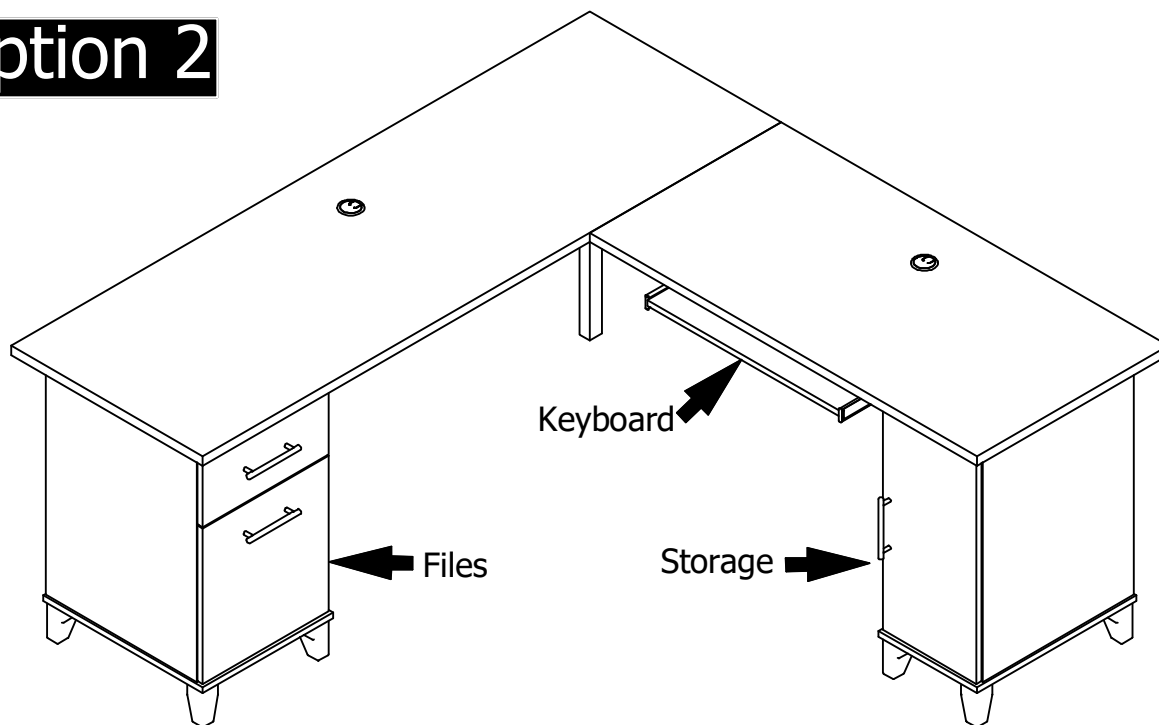


**Option 1**



**GO TO STEP 12**

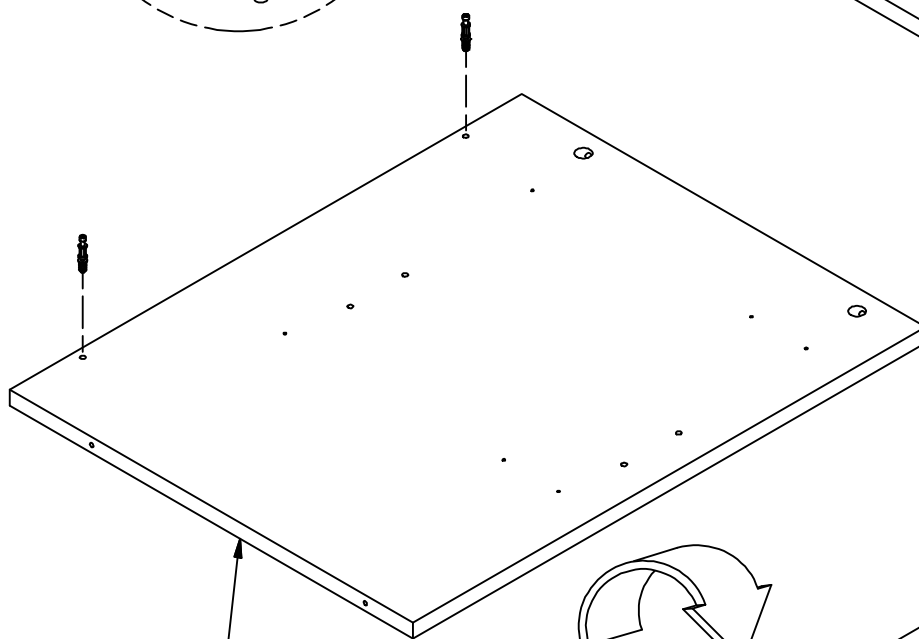
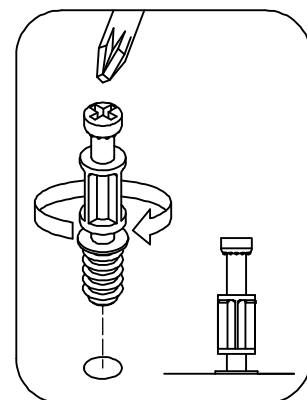
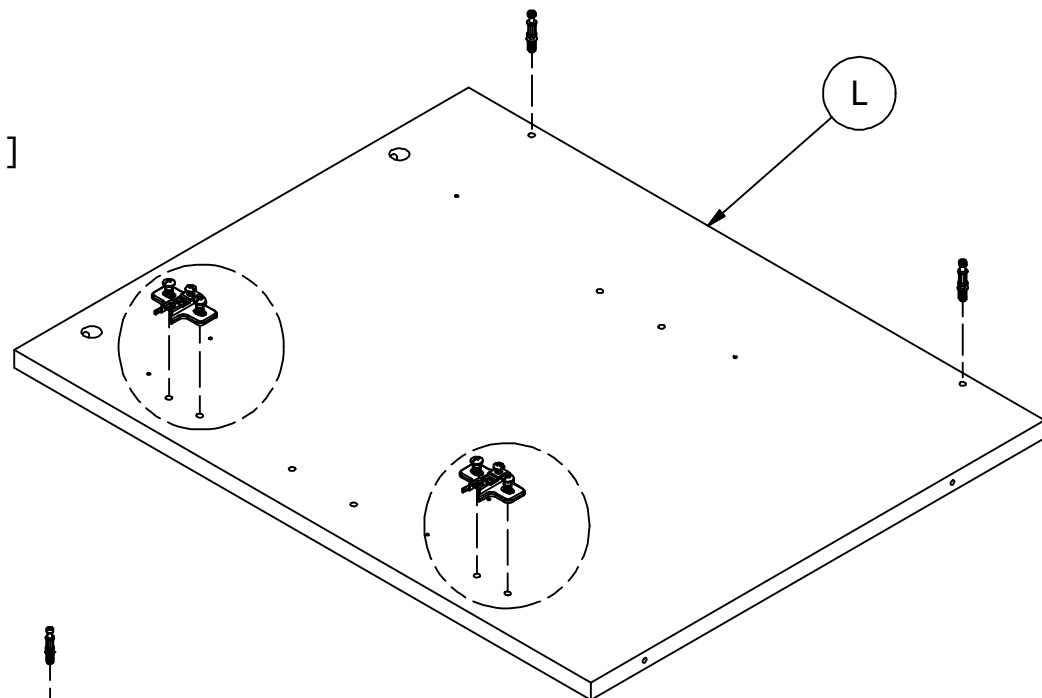
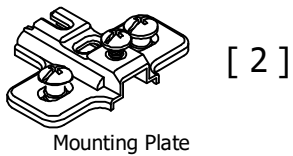
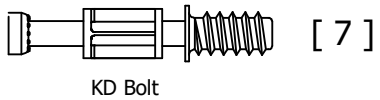
**Option 2**



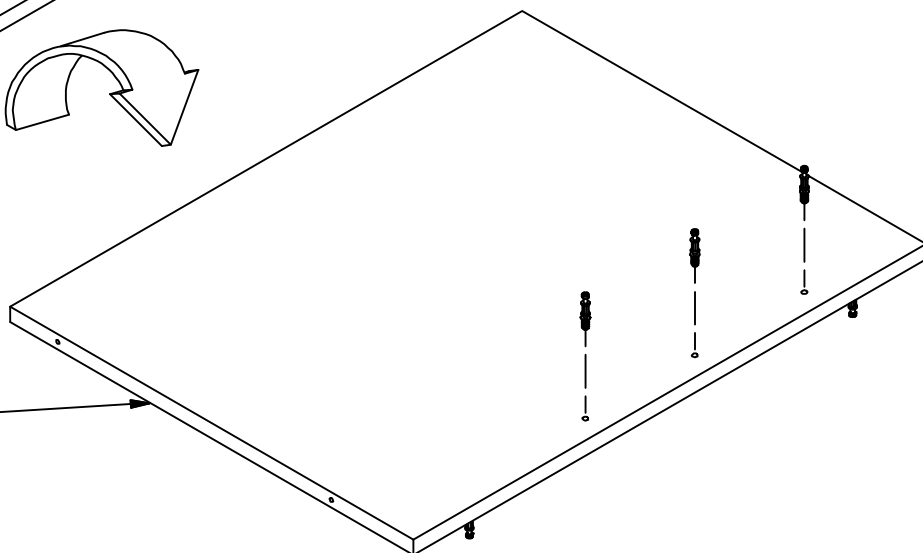
**GO TO STEP 31**

# STEP 12

# Prepare Panels

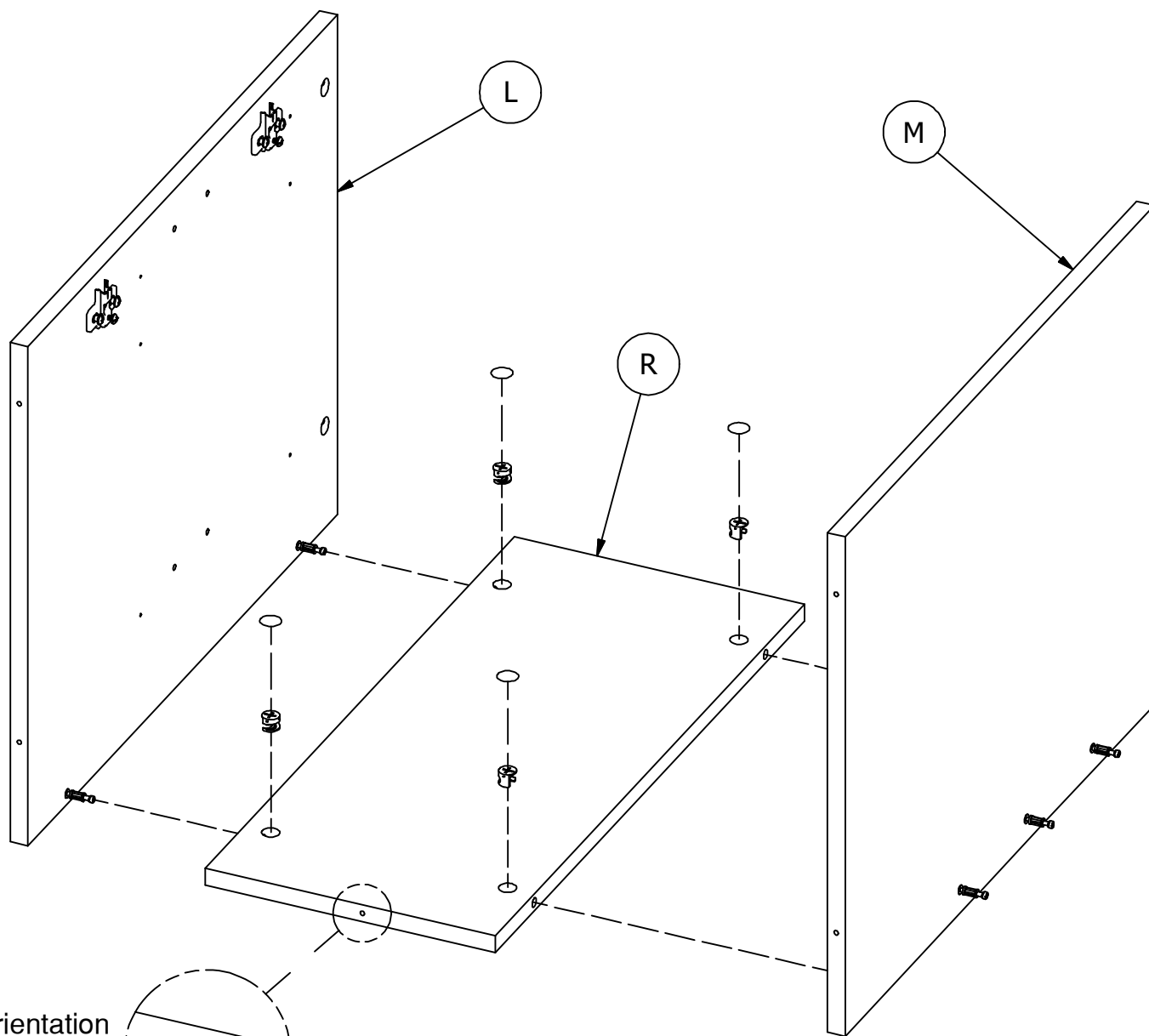
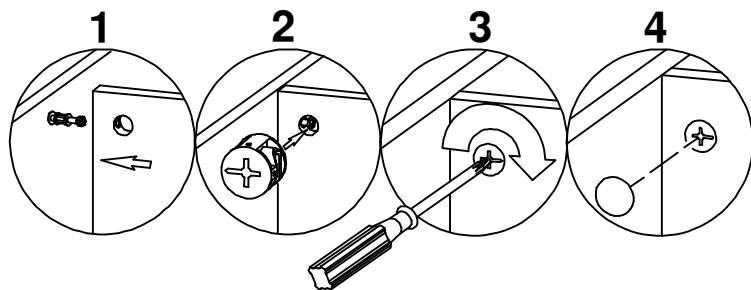
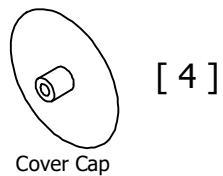
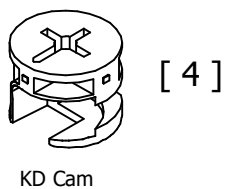


Flip panel over  
Voltear el panel  
Retournez le panneau

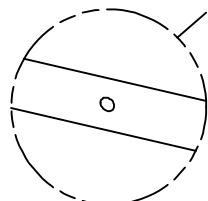


# STEP 13

# Assemble Panels

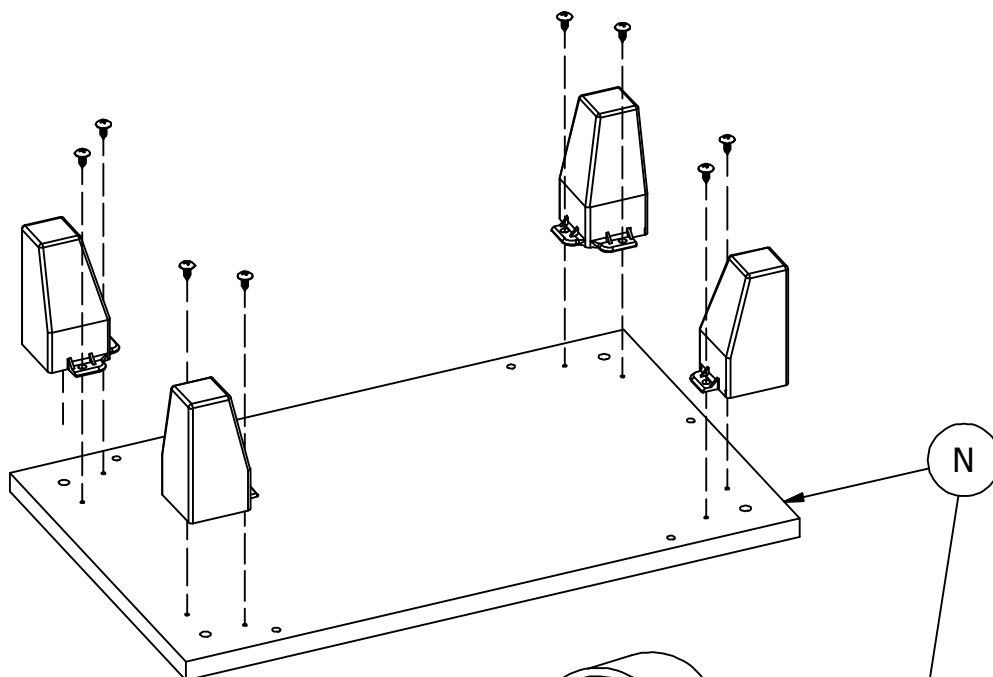
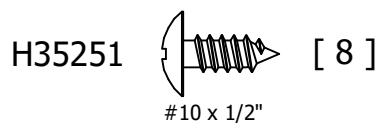
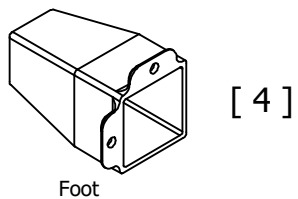
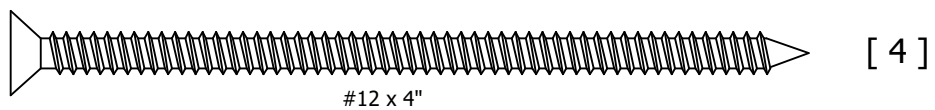


Orientation  
Orientación  
L'orientation

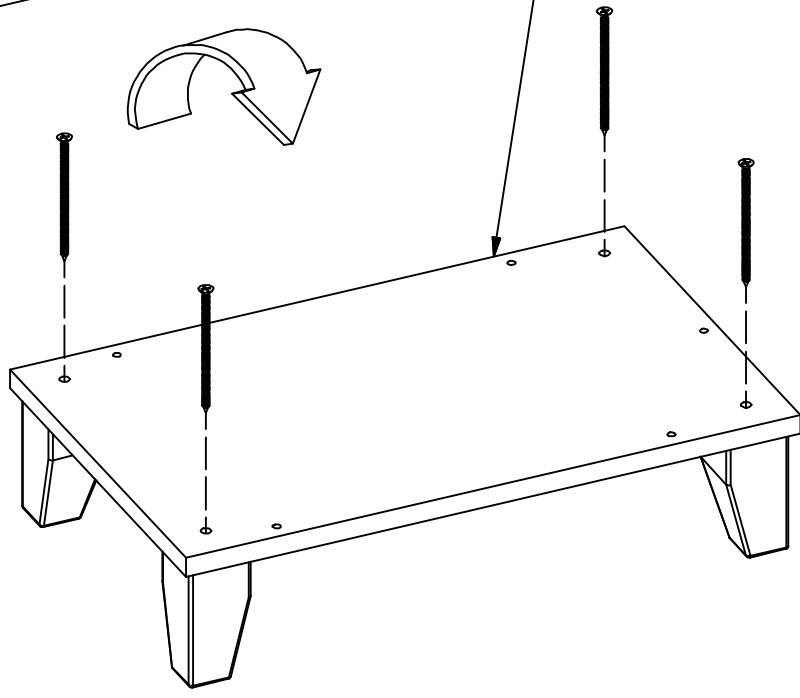


# STEP 14

# Prepare Panel

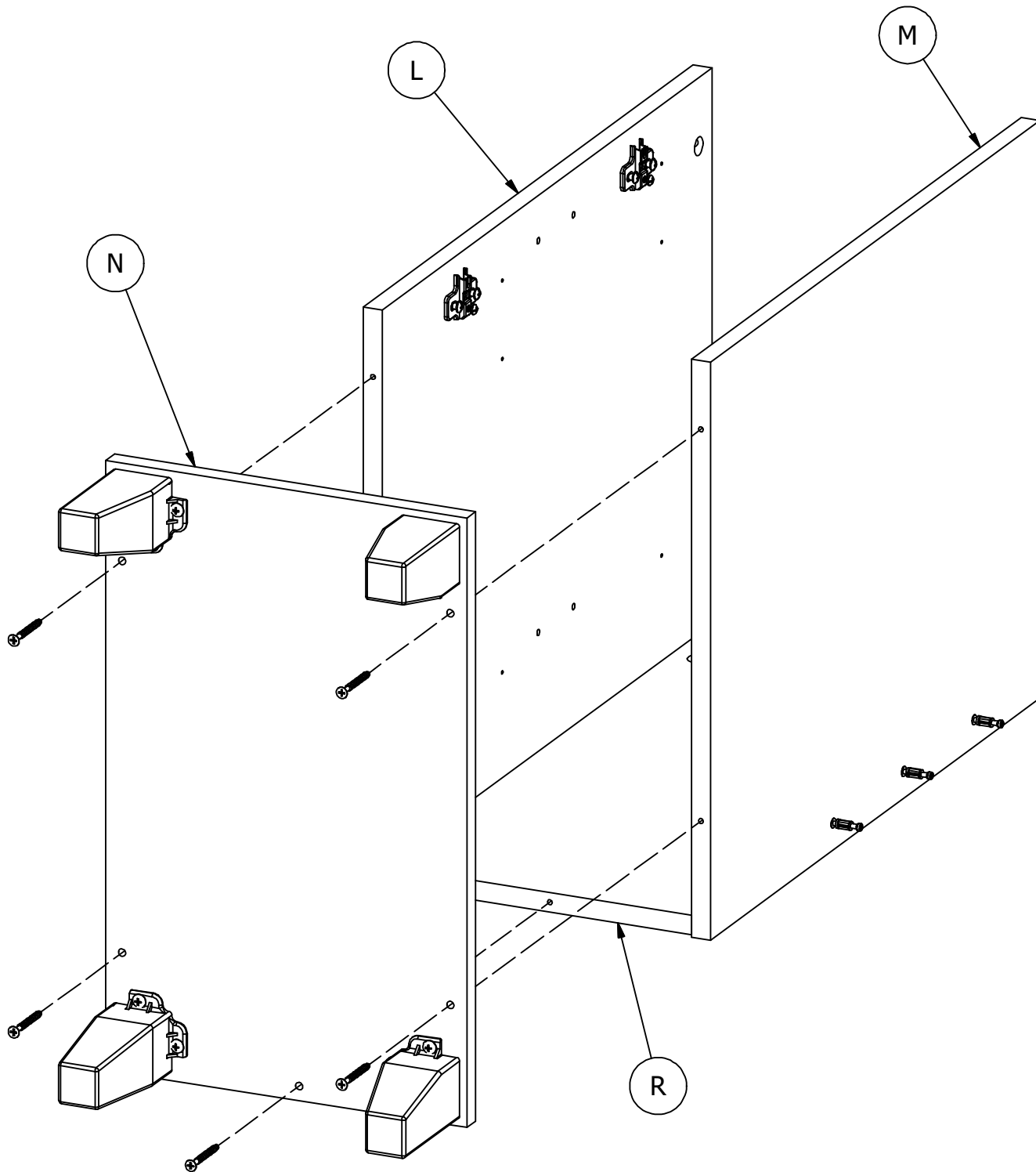
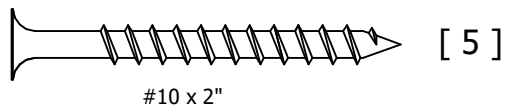


Flip panel over  
Voltear el panel  
Retournez le panneau




# STEP 15

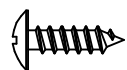
# Assemble Panels

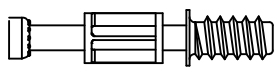


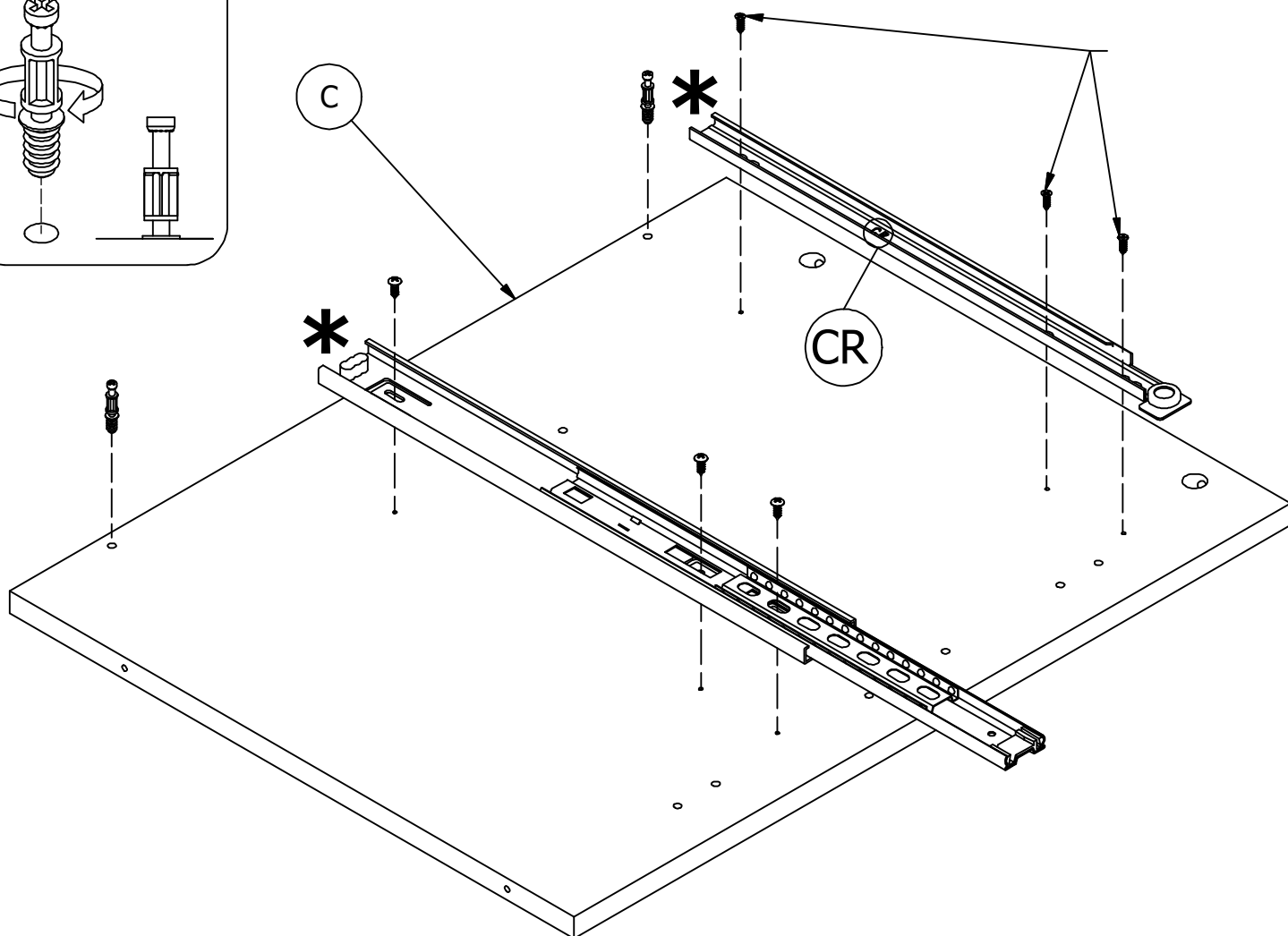
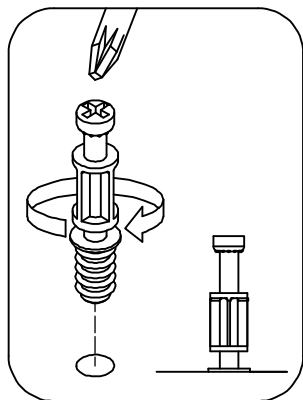
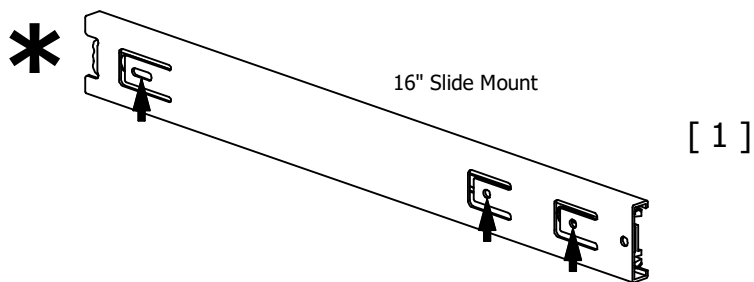
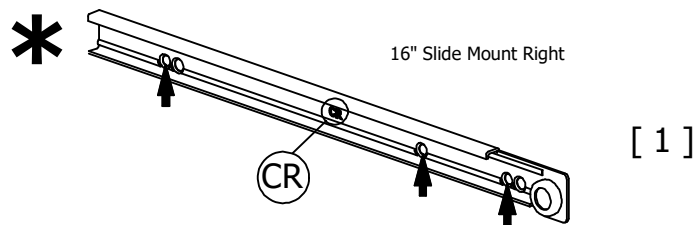
# STEP 16

# Prepare Panel

 [ 3 ]  
#6 x 1/2" Silver


 [ 3 ]  
#6 x 1/2"

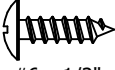
 [ 2 ]  
KD Bolt

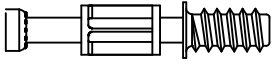


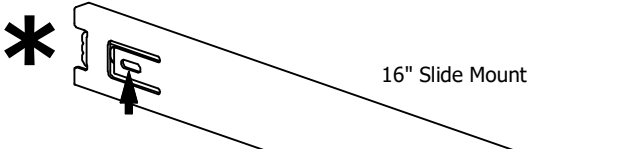
# STEP 17

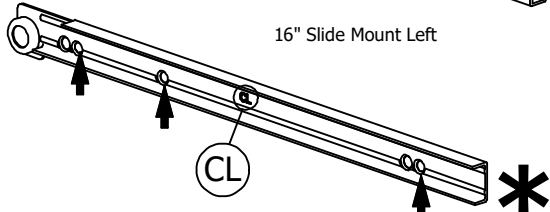
# Prepare Panel

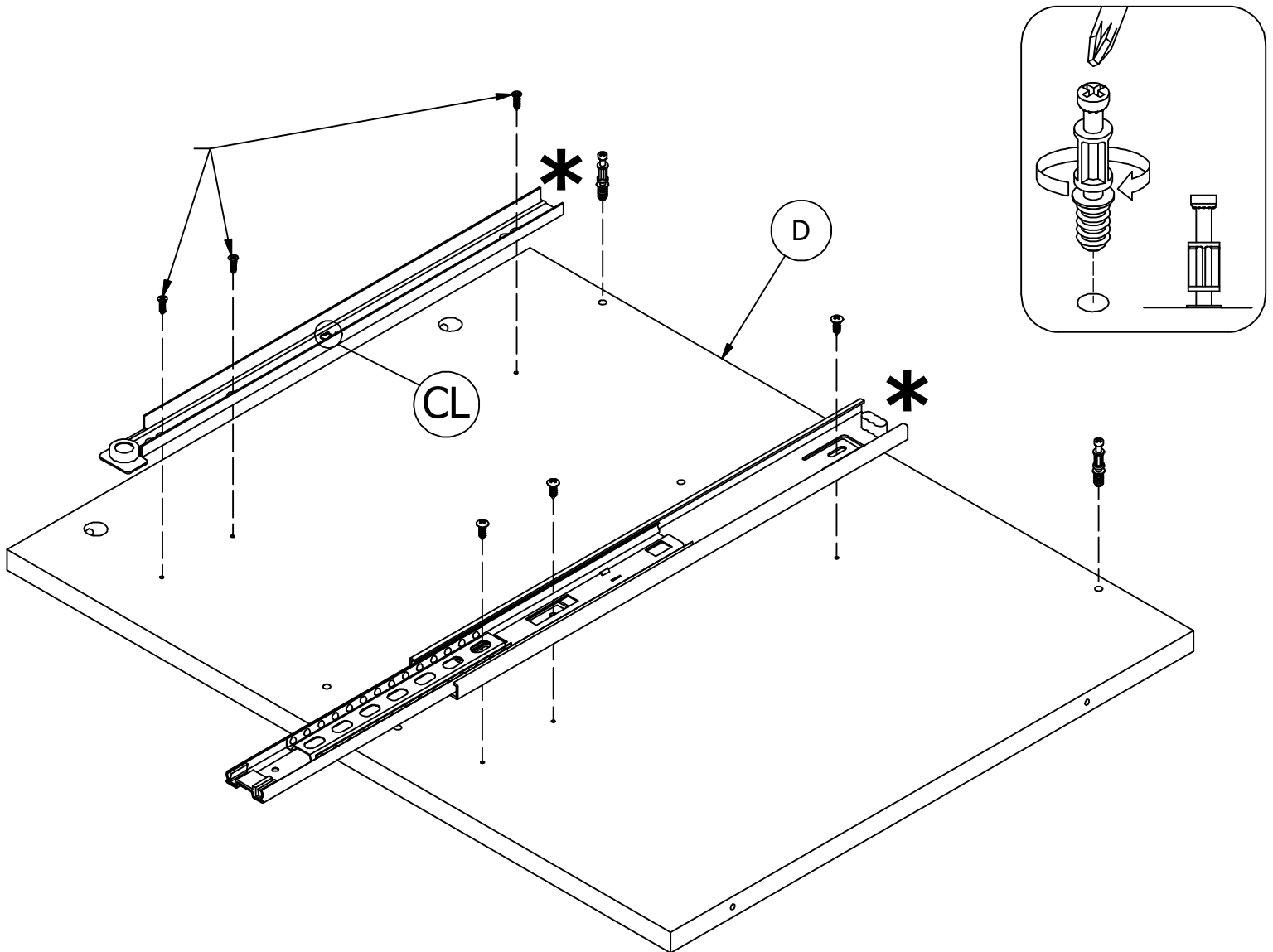
 [ 3 ]  
#6 x 1/2" Silver

 [ 3 ]  
#6 x 1/2"

 [ 2 ]  
KD Bolt

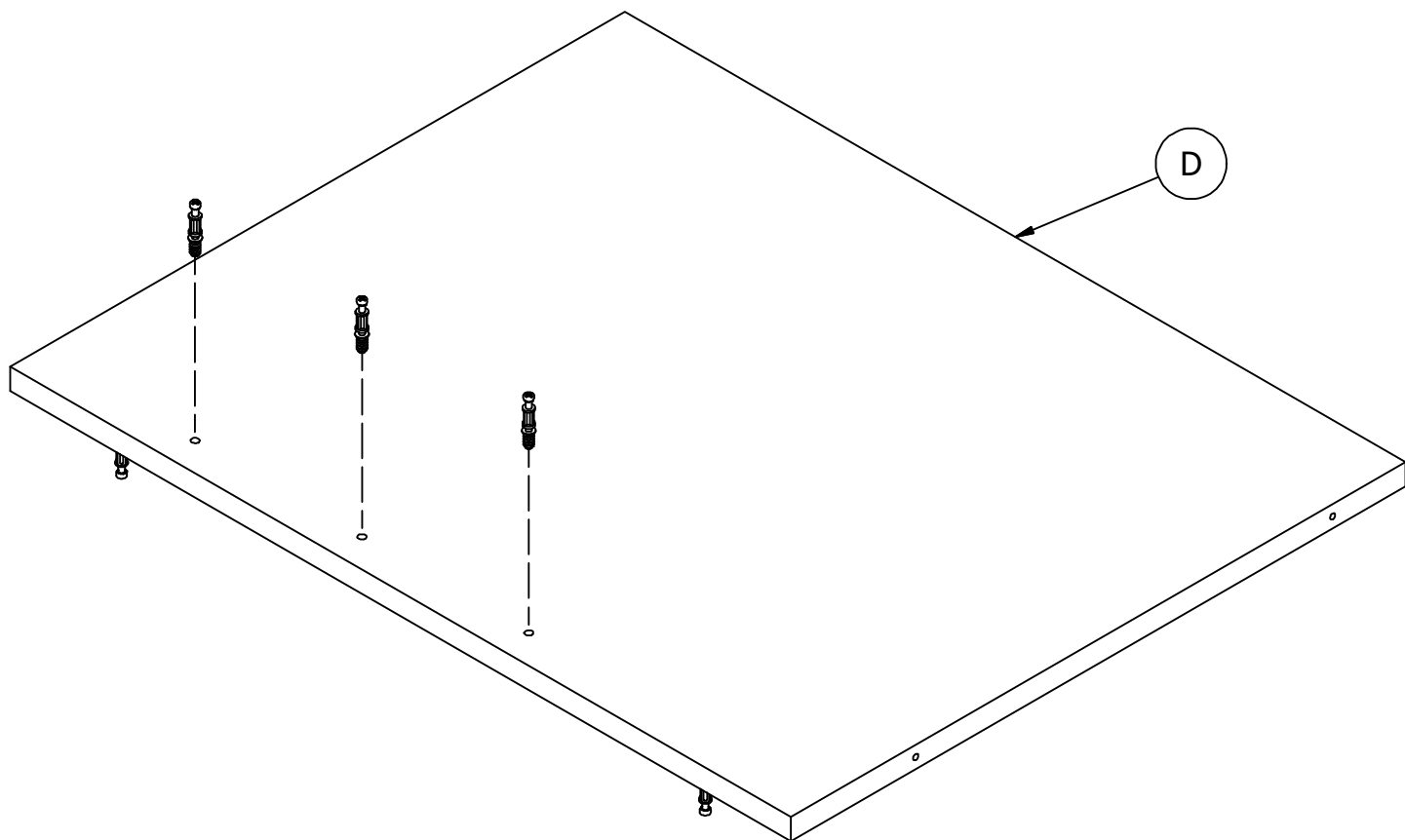
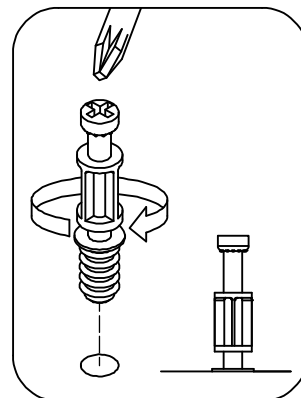
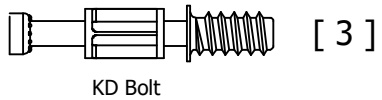
 [ 1 ]  
16" Slide Mount

 [ 1 ]  
16" Slide Mount Left



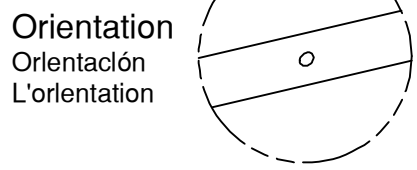
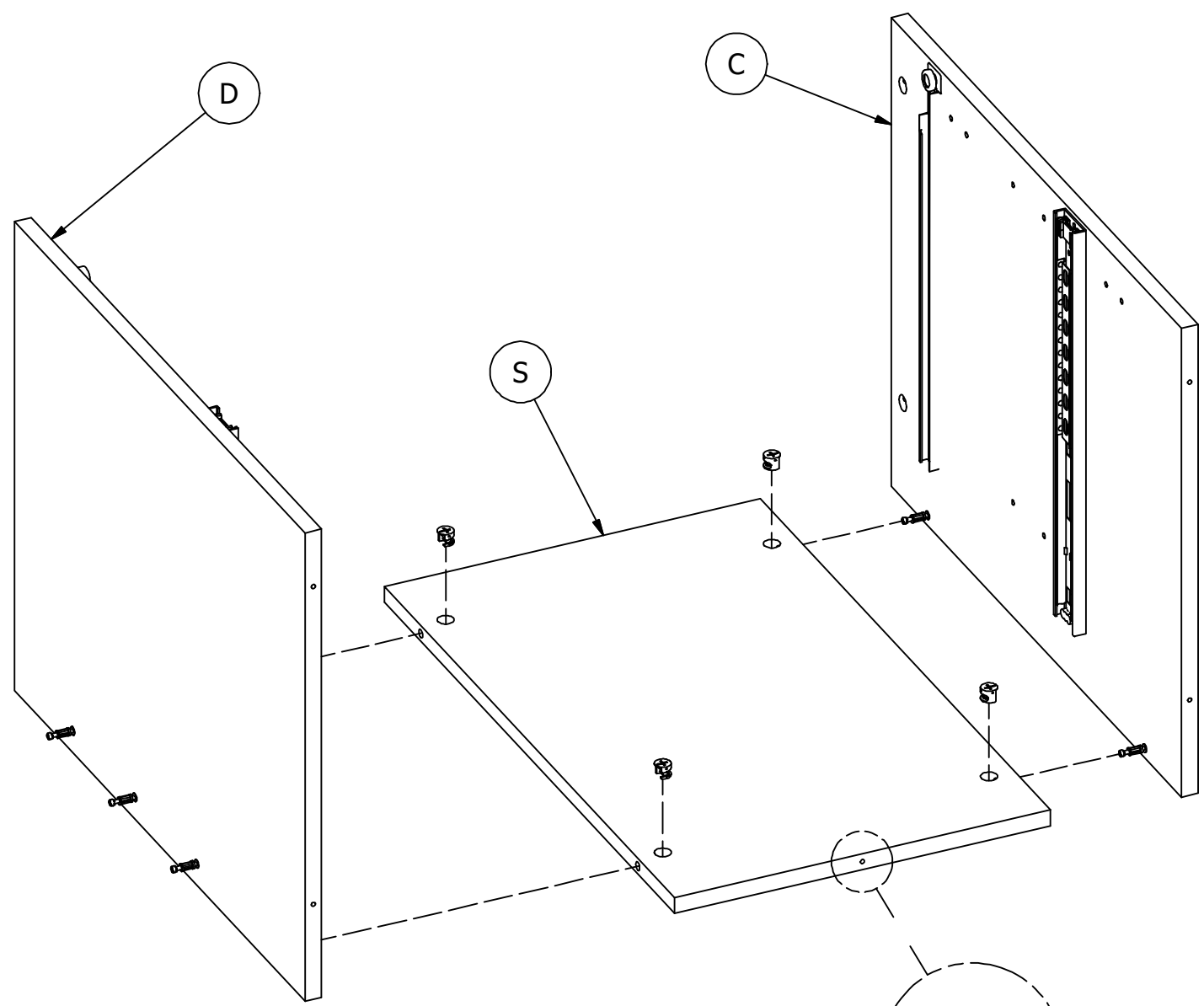
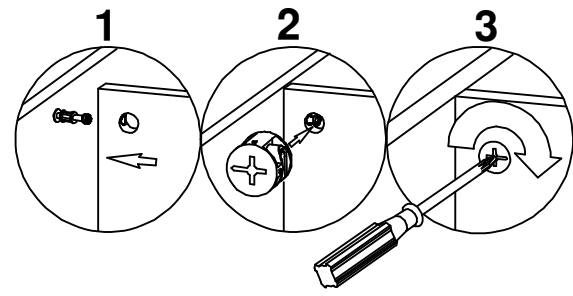
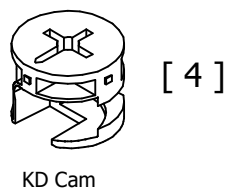
# STEP 18

# Prepare Panel



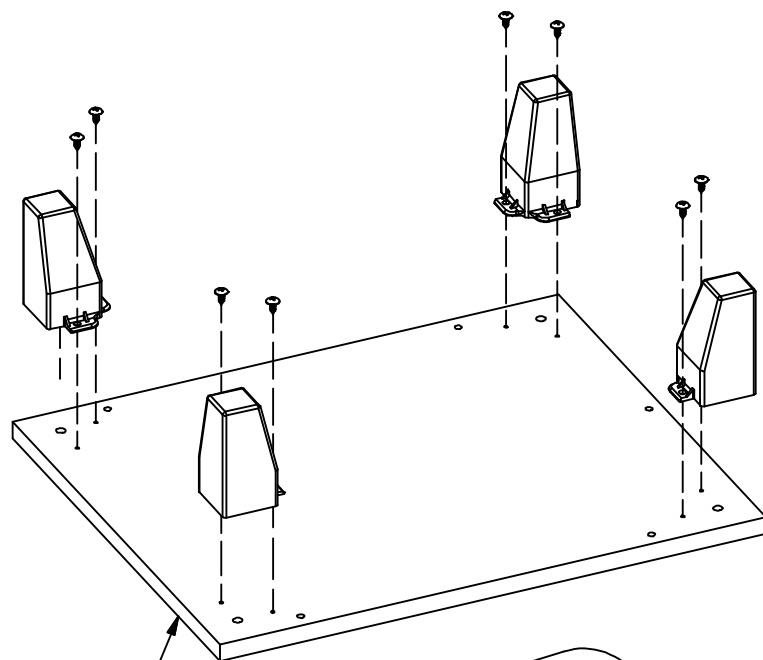
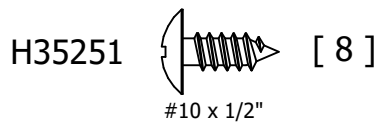
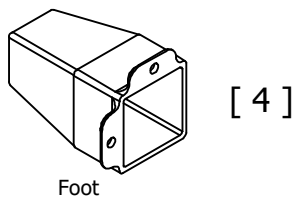
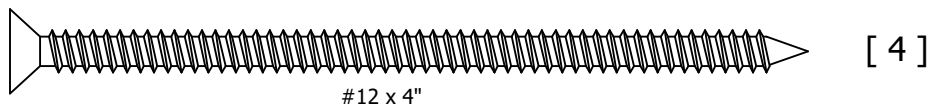
# STEP 19

# Assemble Panels



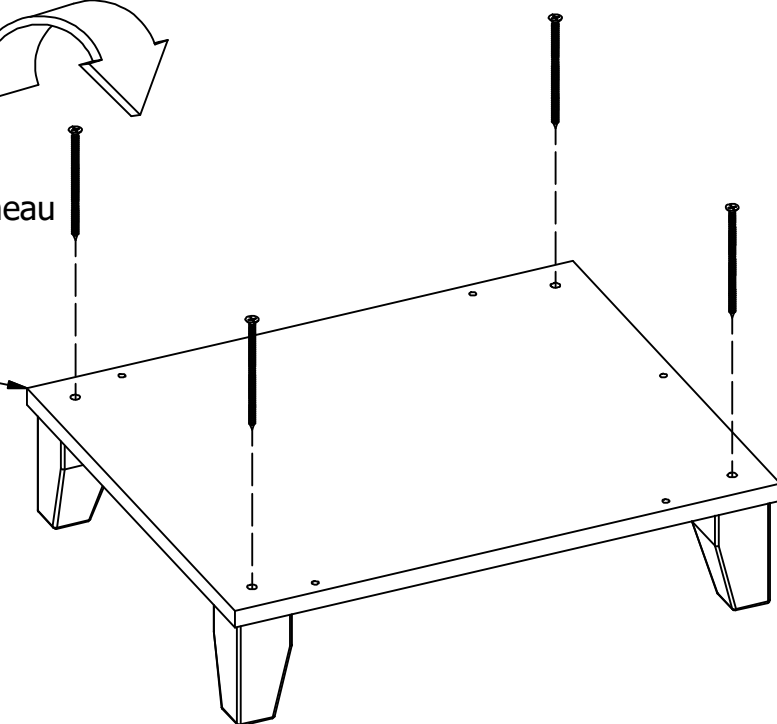
# STEP 20

# Prepare Panel



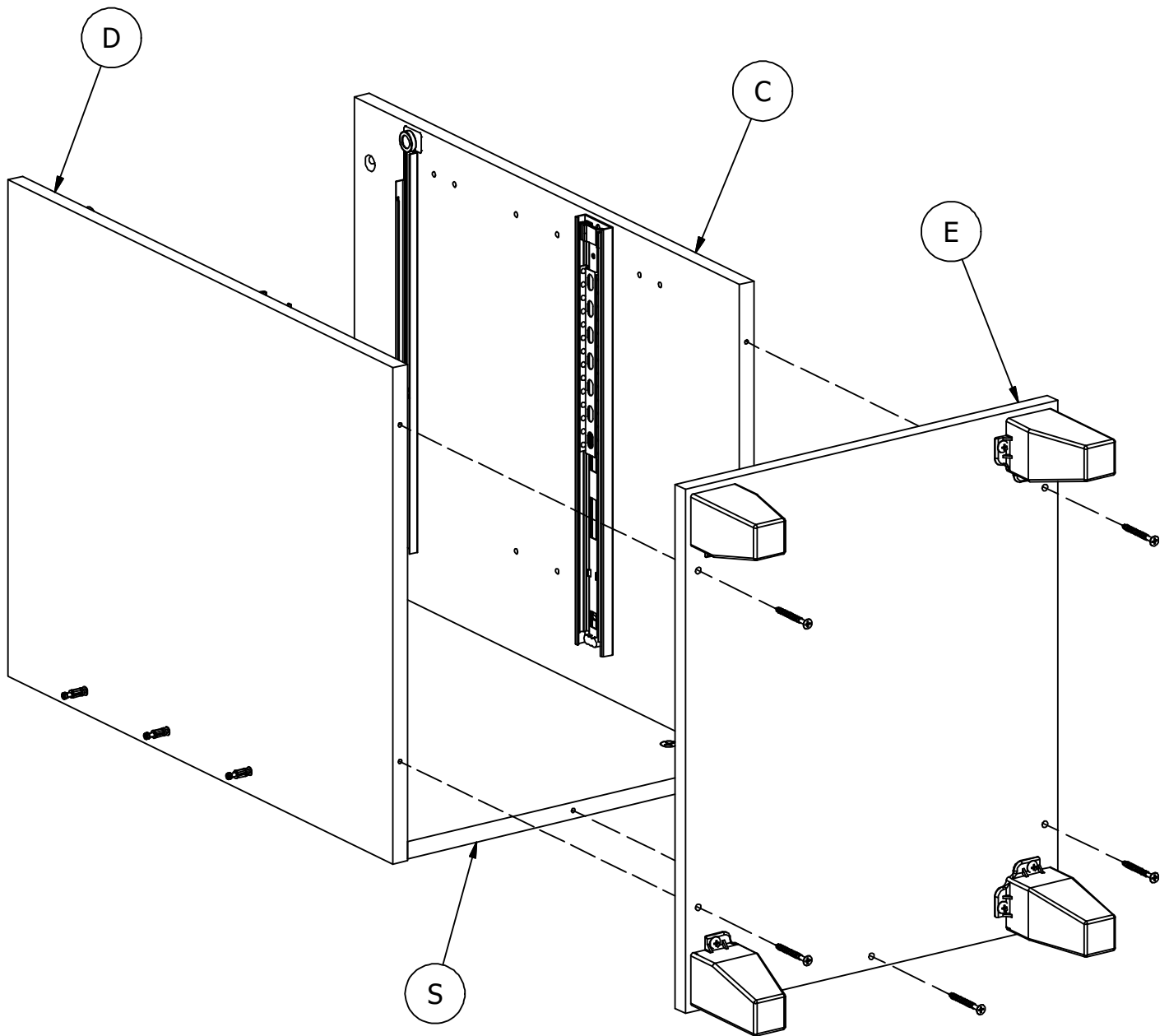
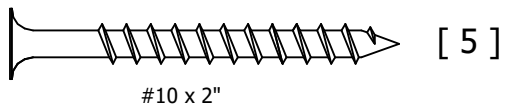
Flip panel over  
Voltear el panel  
Retournez le panneau

E



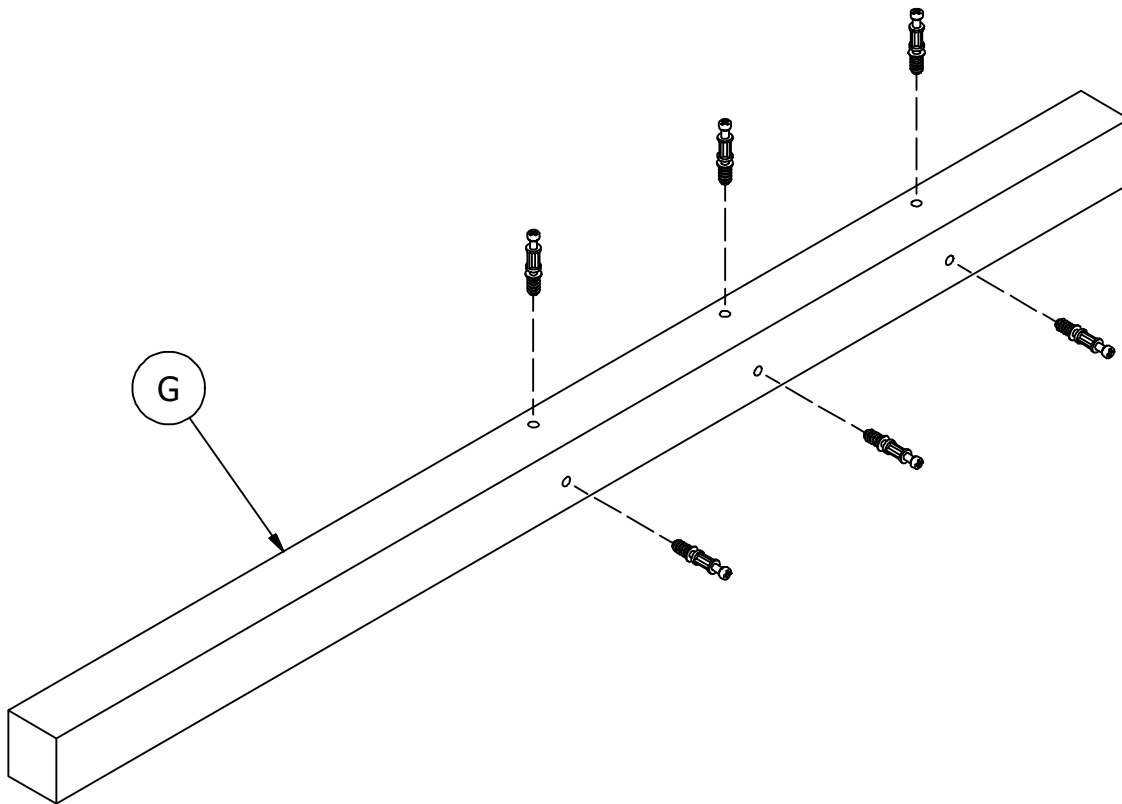
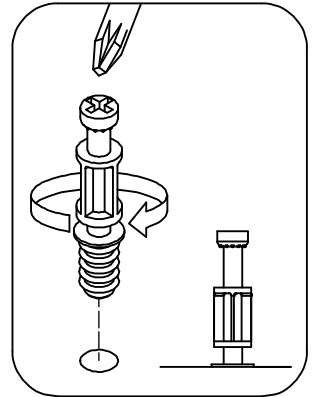
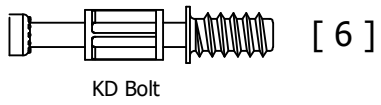
# STEP 21

# Assemble Panels



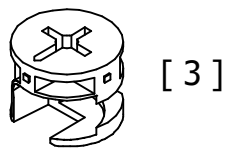
# STEP 22

# Prepare Rear Leg



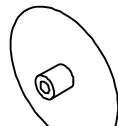
# STEP 23

# Assemble Panels



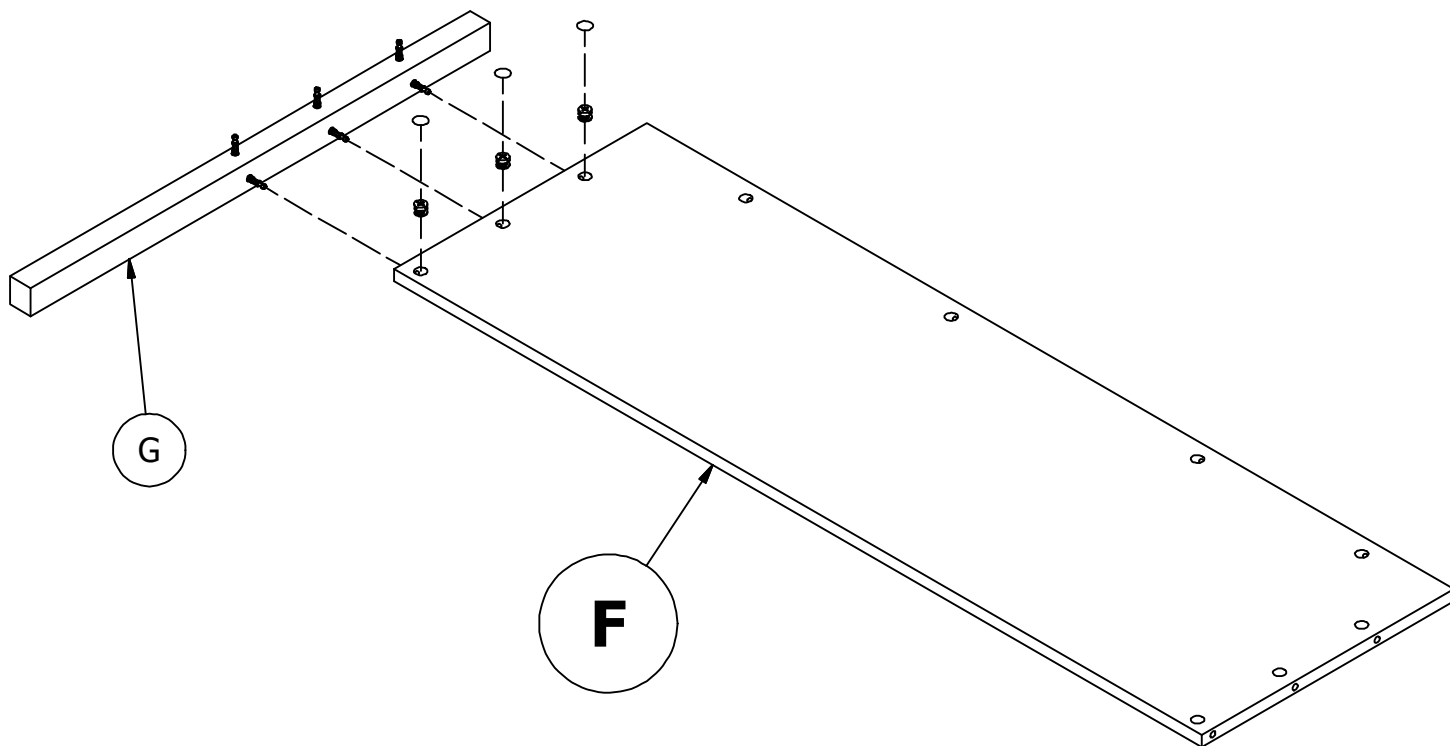
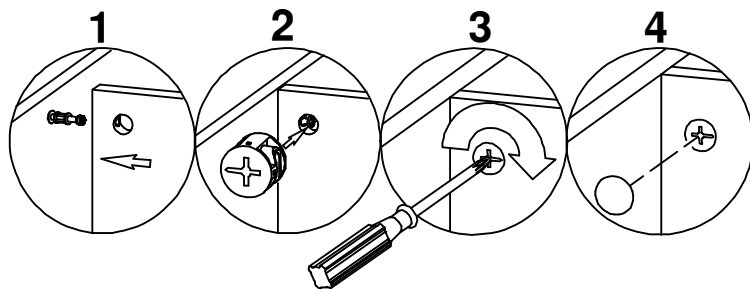
[ 3 ]

KD Cam



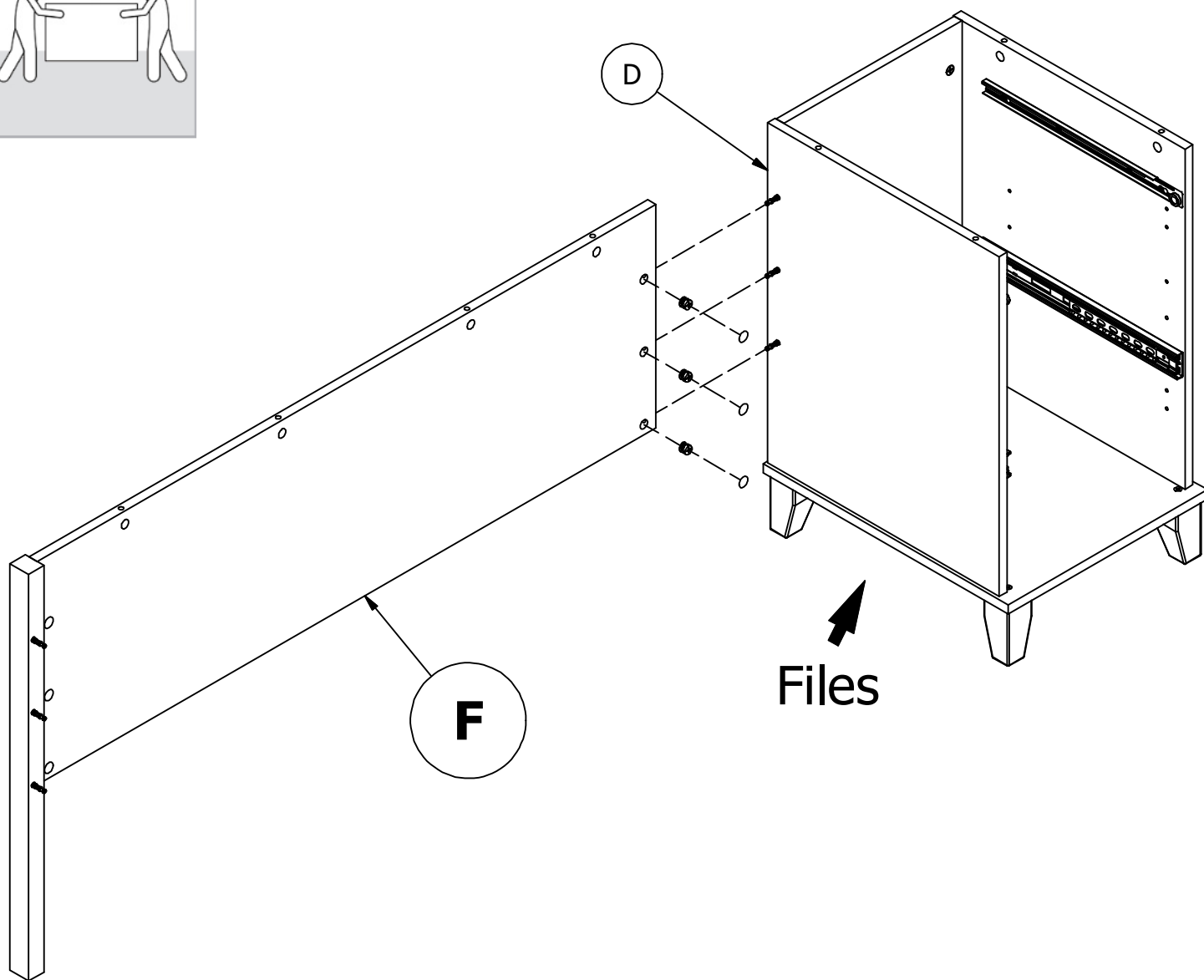
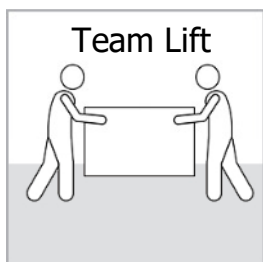
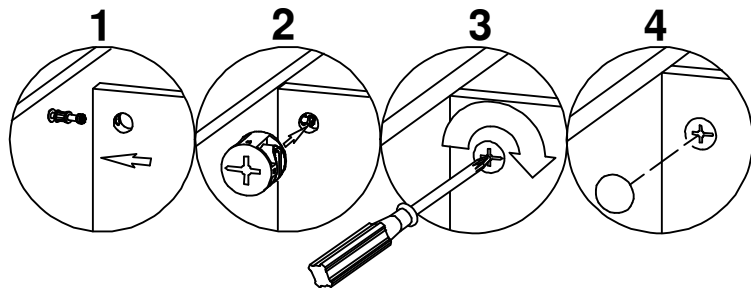
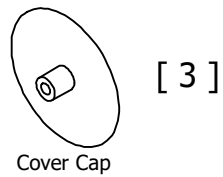
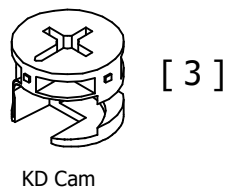
[ 3 ]

Cover Cap



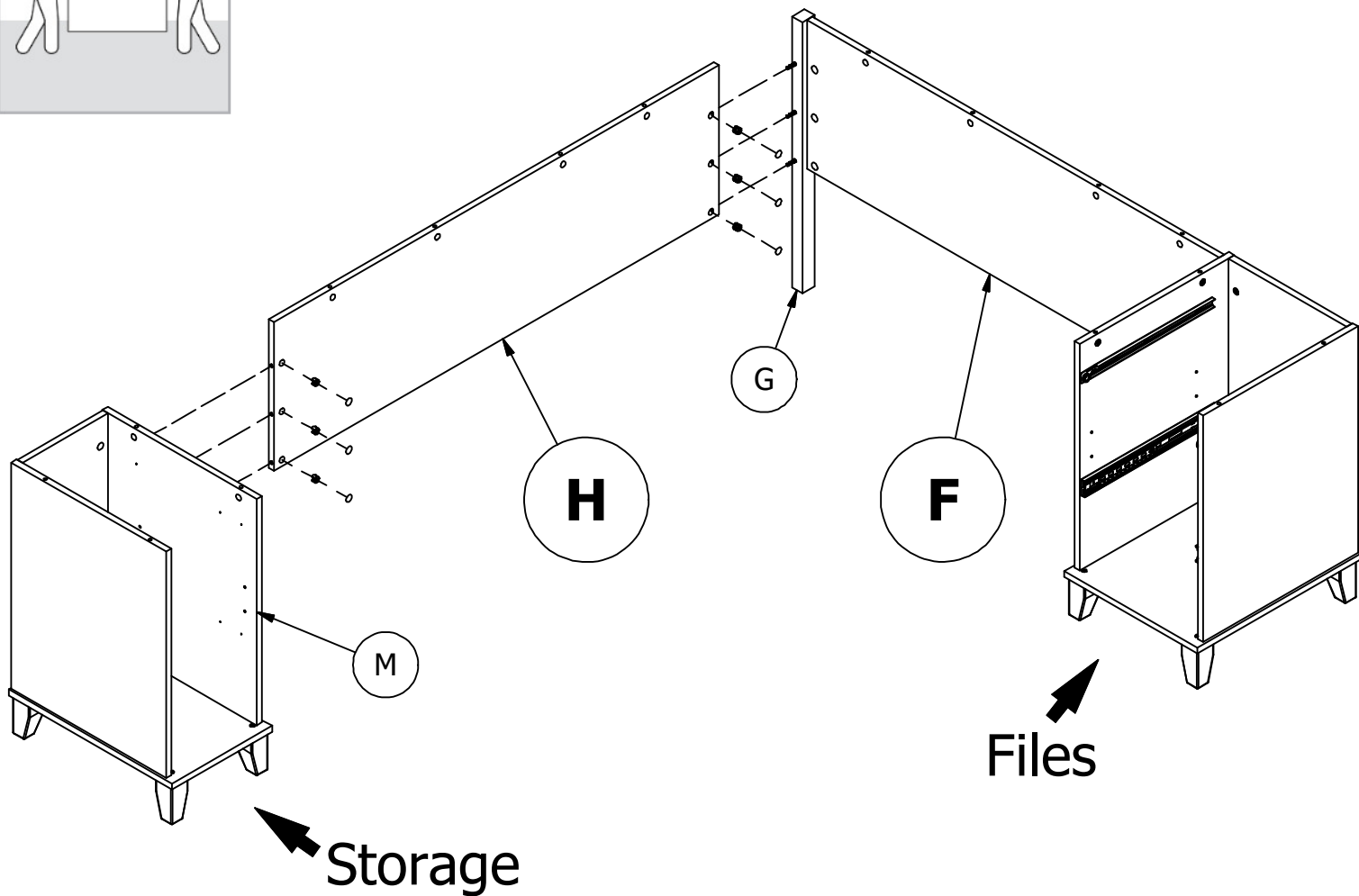
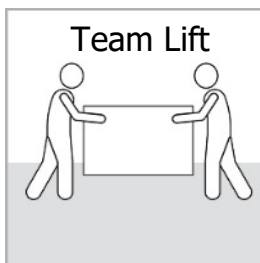
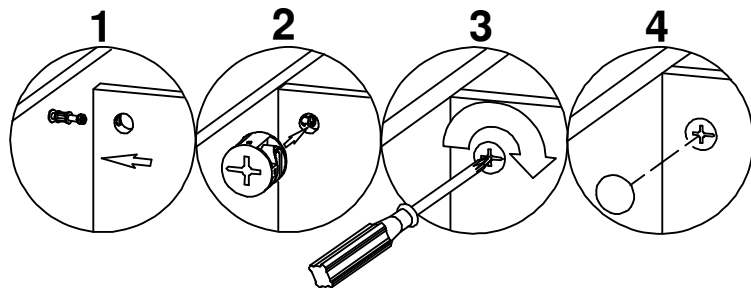
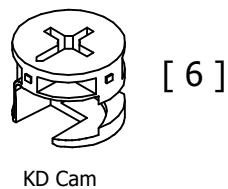
# STEP 24

# Assemble Panel to File Cabinet



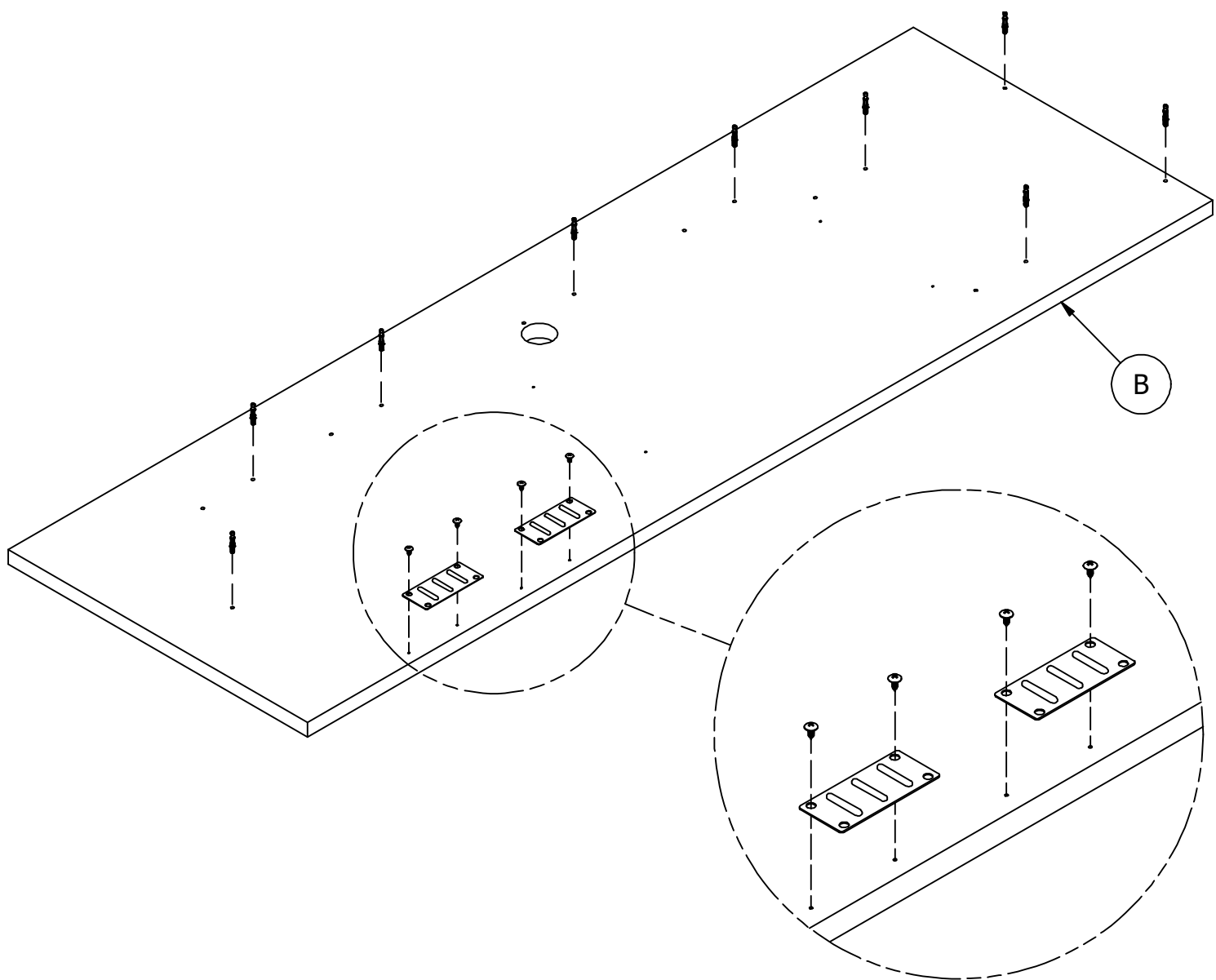
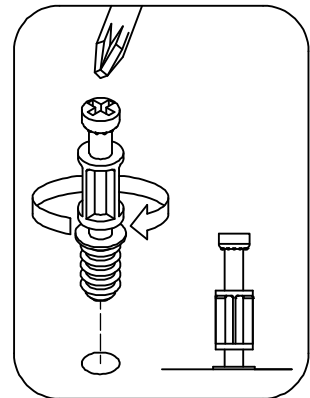
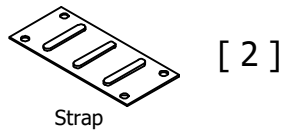
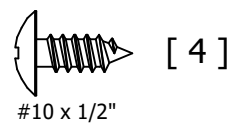
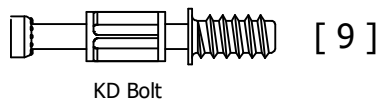
# STEP 25

# Assemble Panel to Storage Cabinet



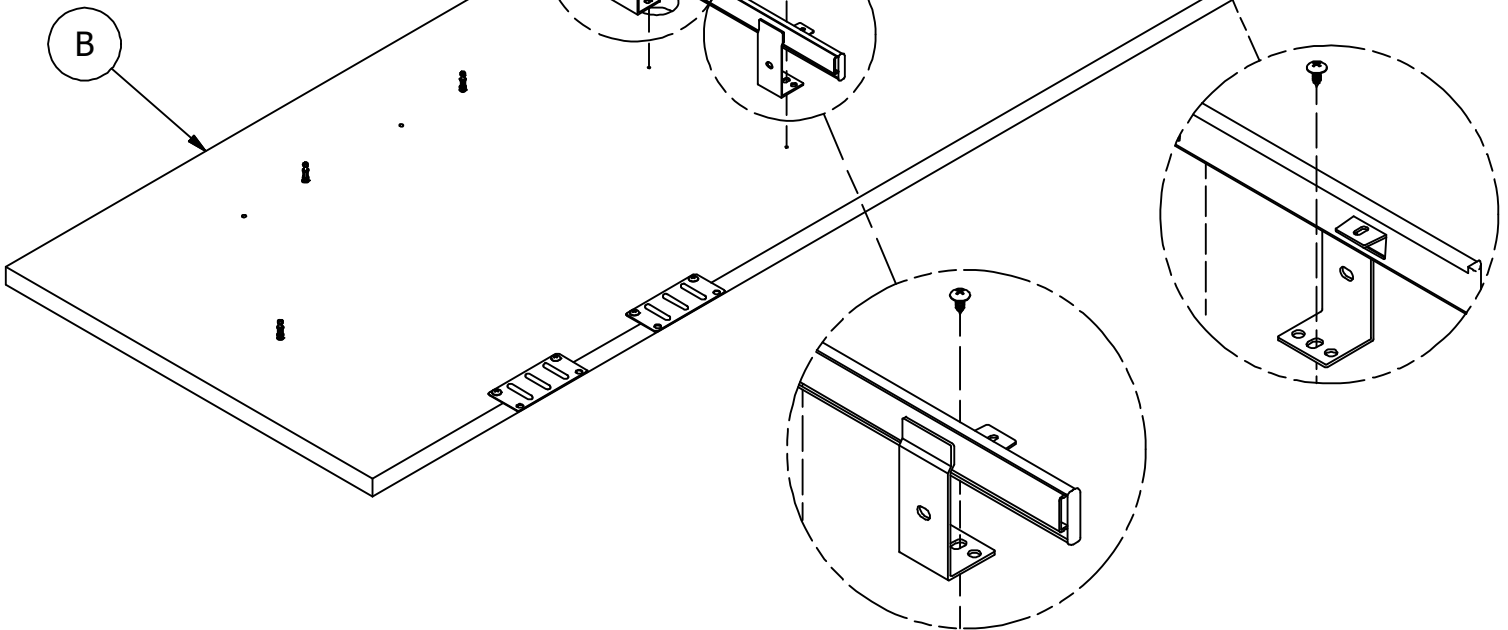
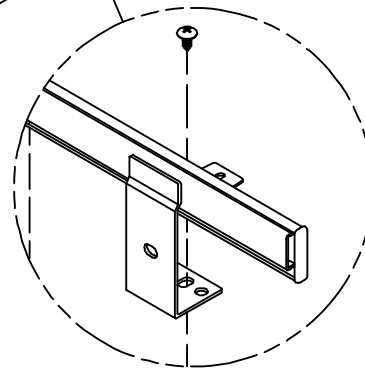
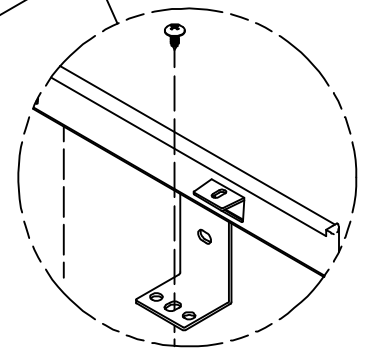
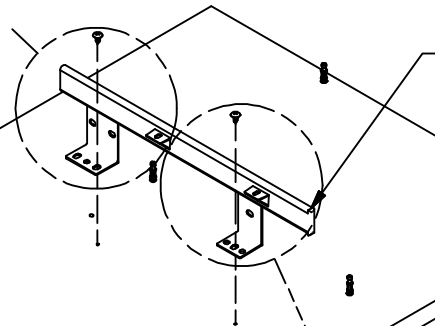
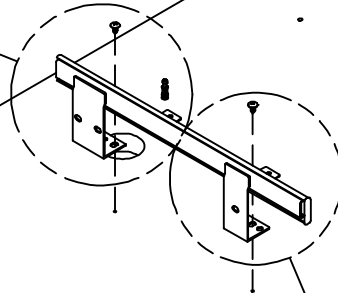
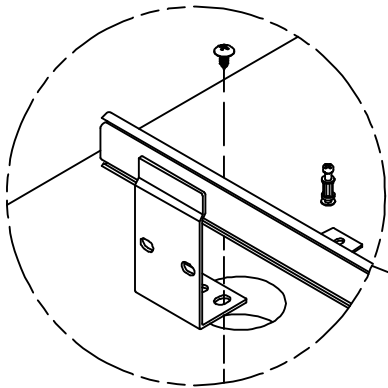
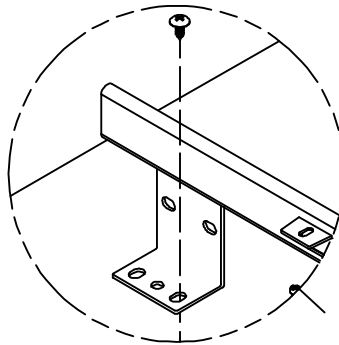
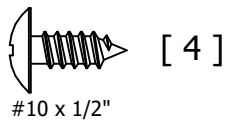
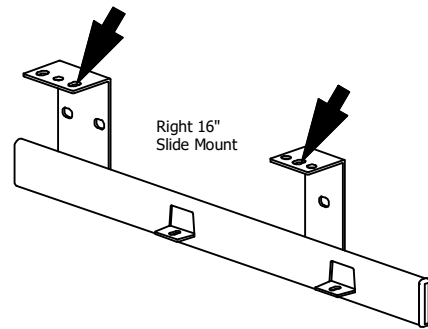
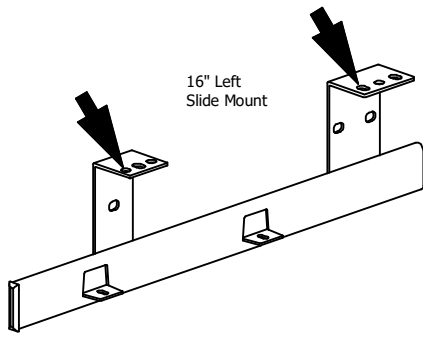
# STEP 26

# Prepare Panel



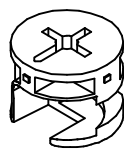
# STEP 27

# Attach Keyboard Hardware



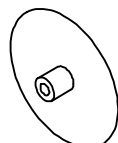
# STEP 28

# Assemble Panels



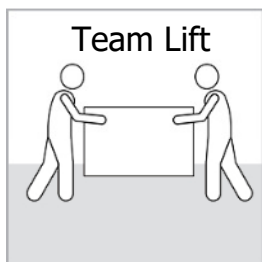
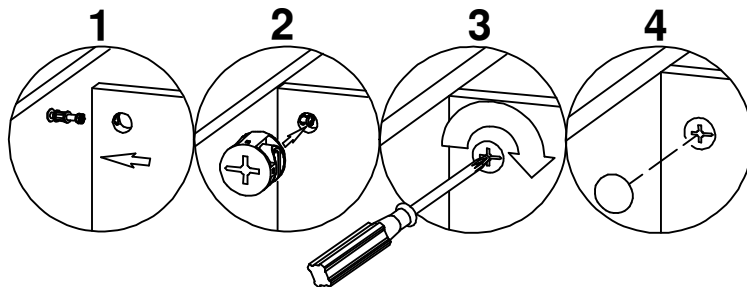
[ 9 ]

KD Cam

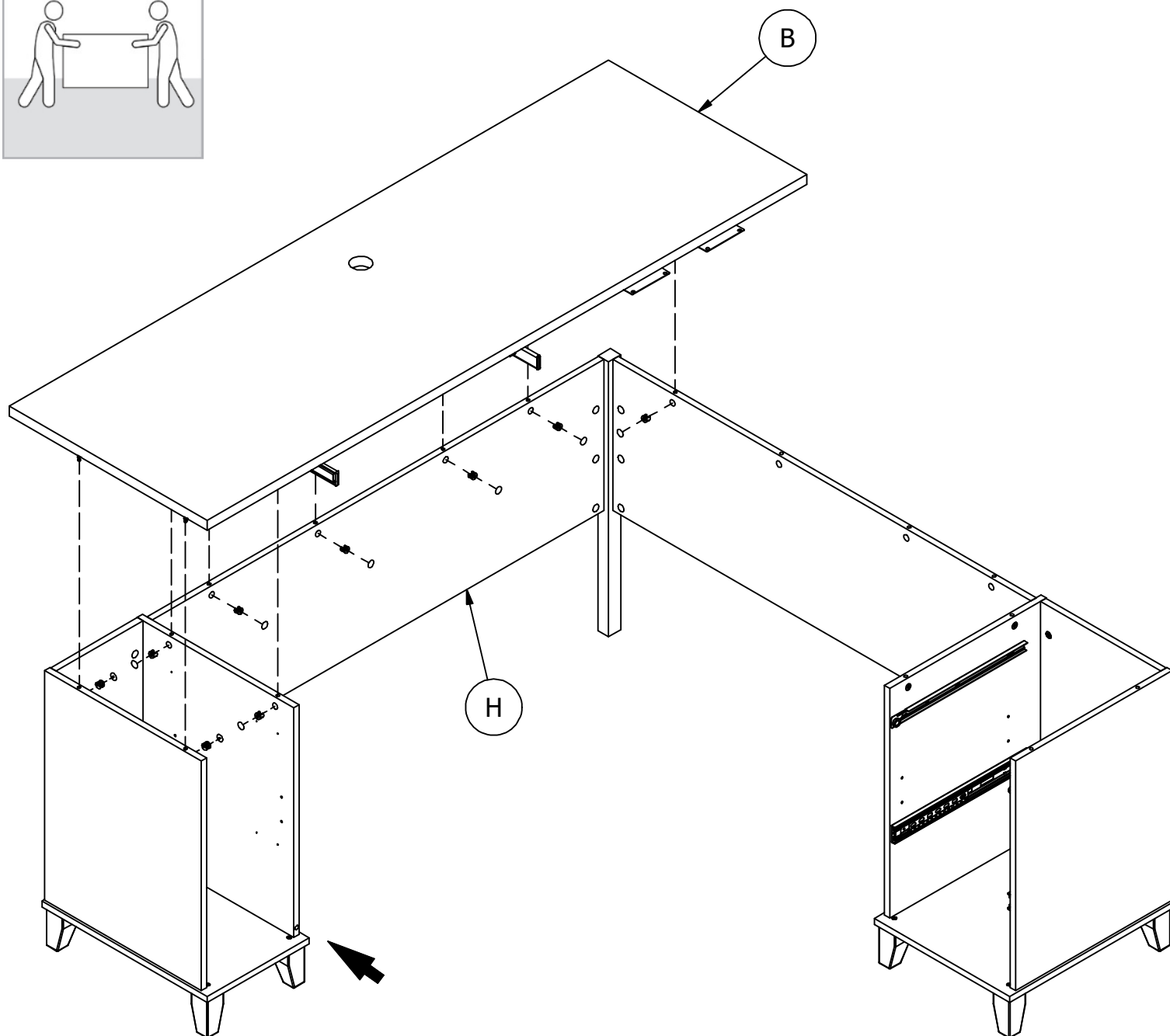


[ 9 ]

Cover Cap

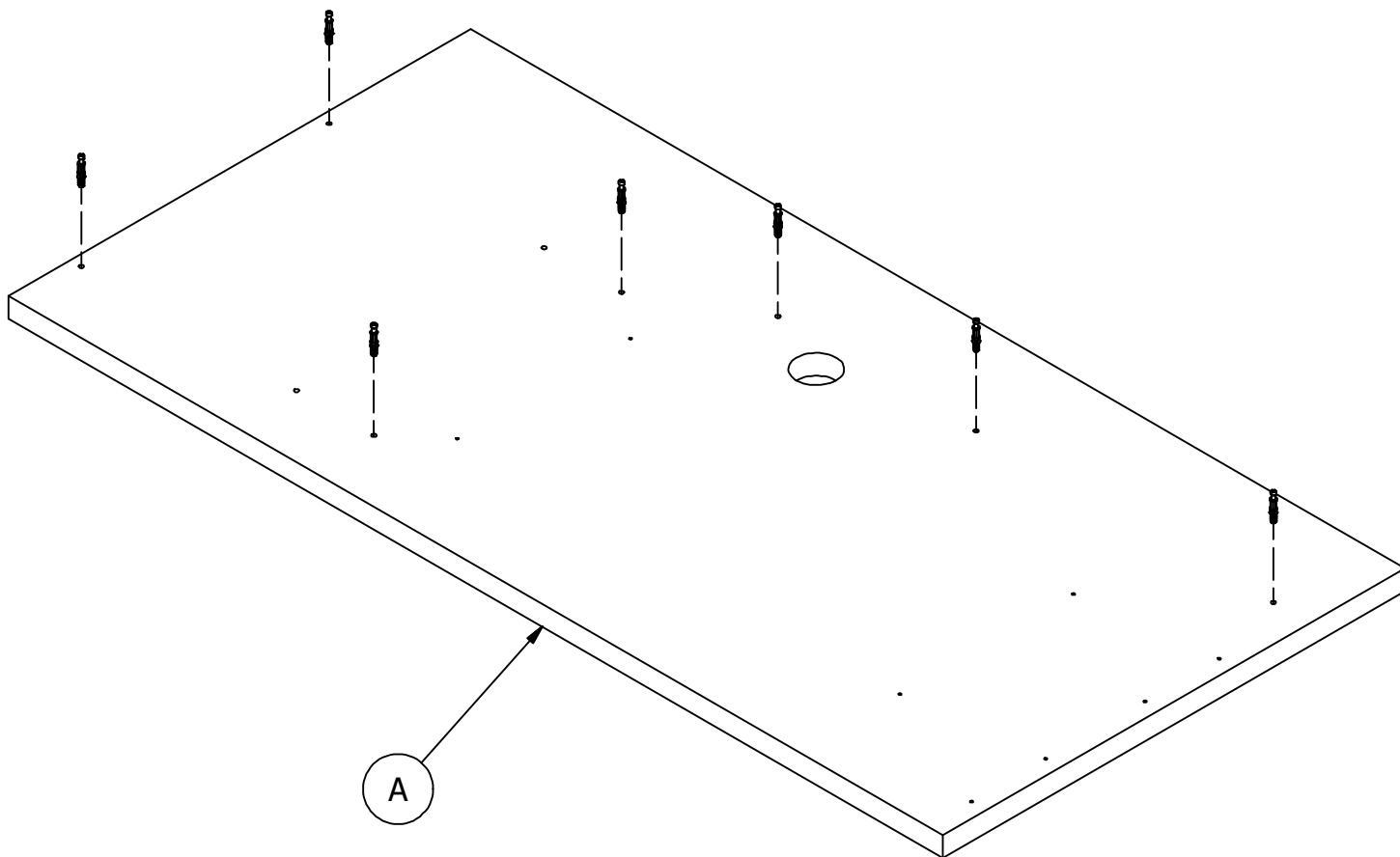
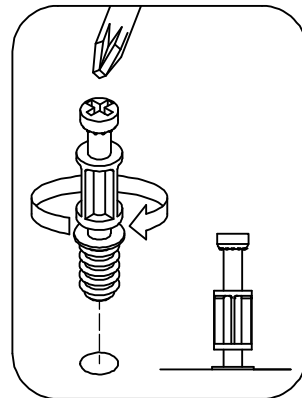
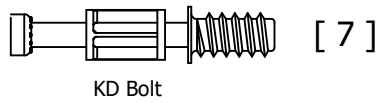


Team Lift



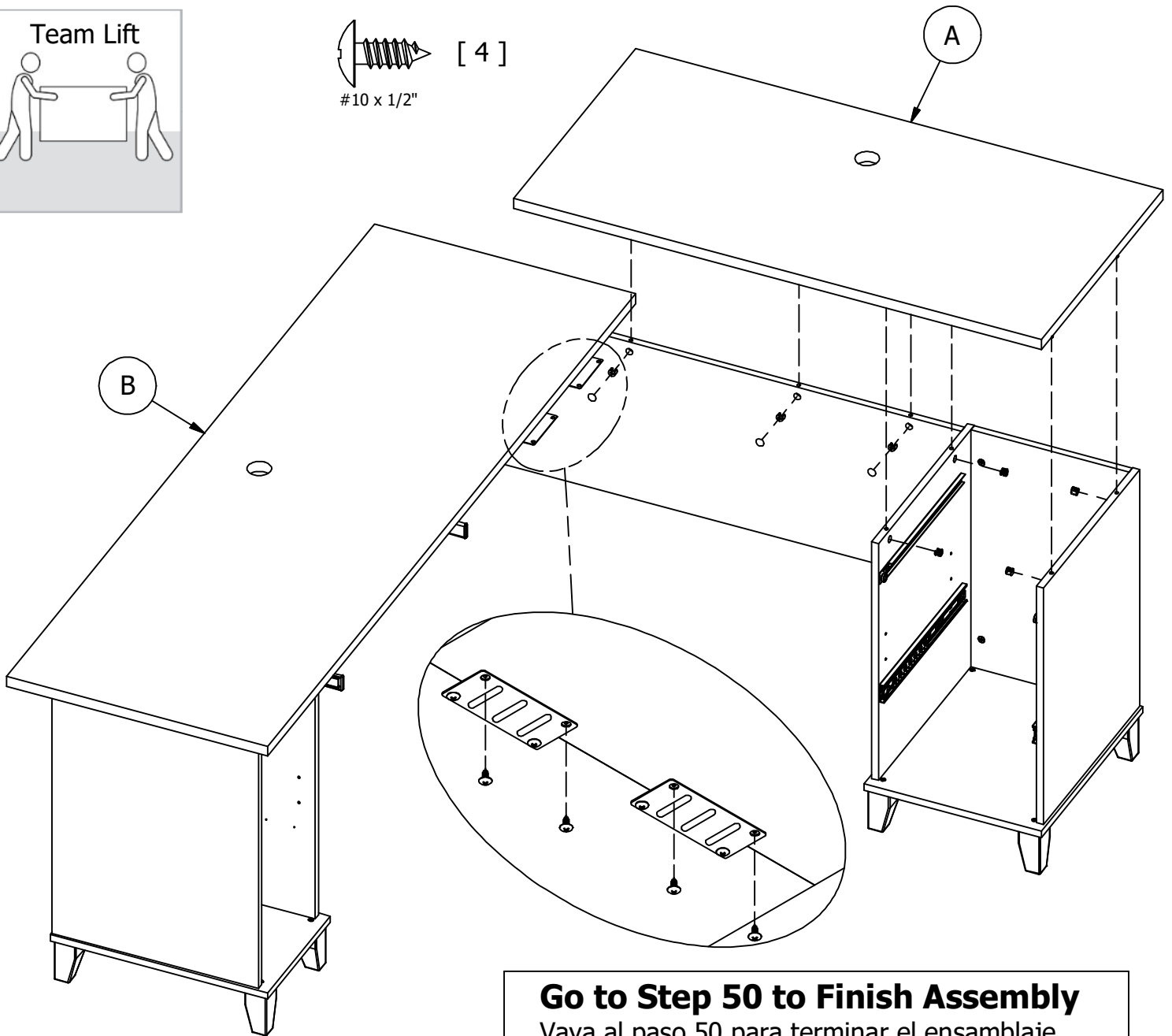
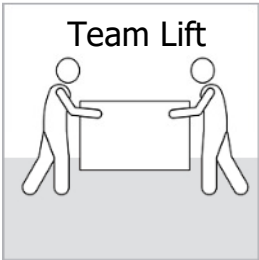
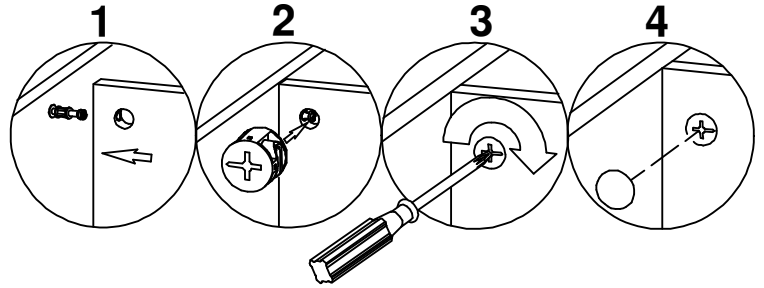
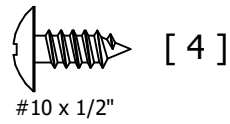
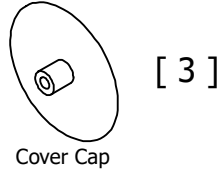
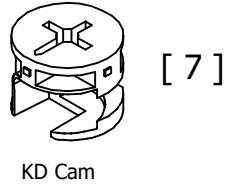
# STEP 29

# Prepare Panel



# STEP 30

# Assemble Panels

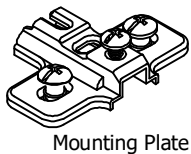


**Go to Step 50 to Finish Assembly**  
Vaya al paso 50 para terminar el ensamblaje  
Passez à l'étape 50 pour terminer l'assemblage

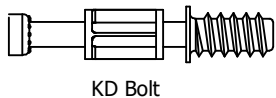
## Begin Option 2 Assembly

Comenzar el ensamblaje de la opción 2

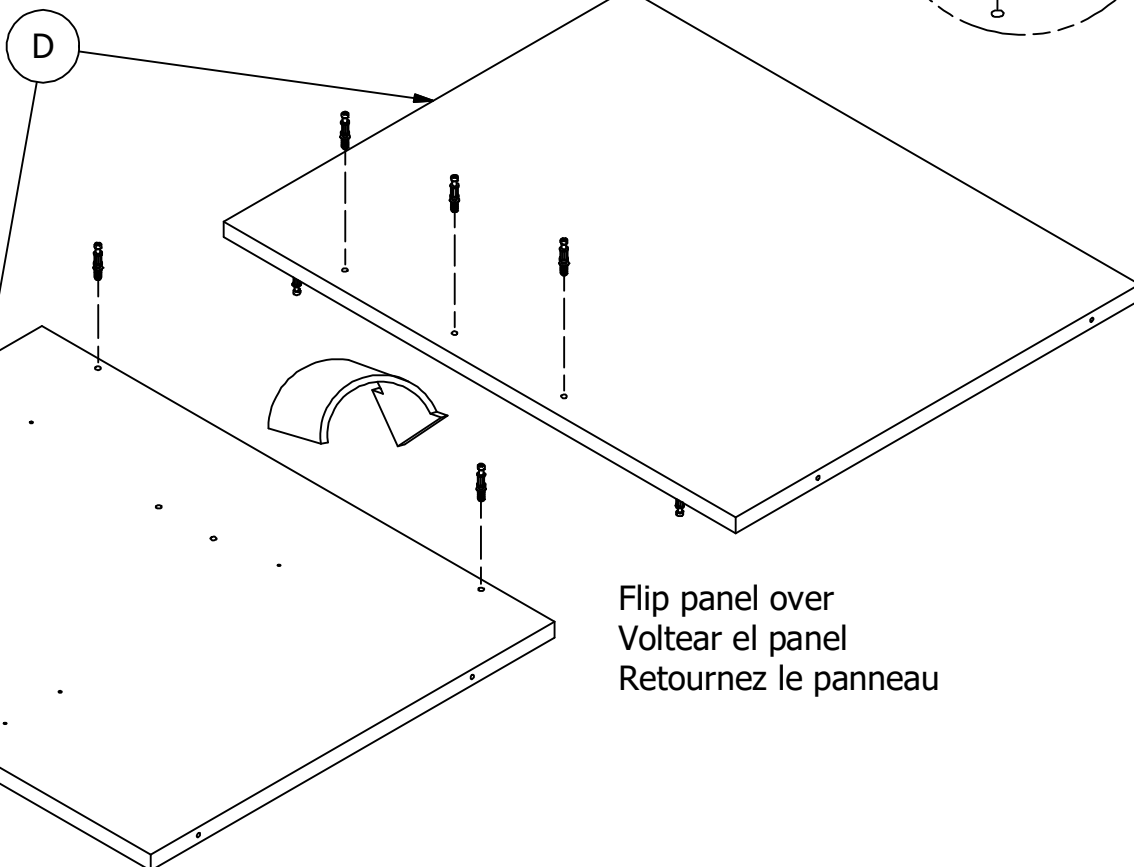
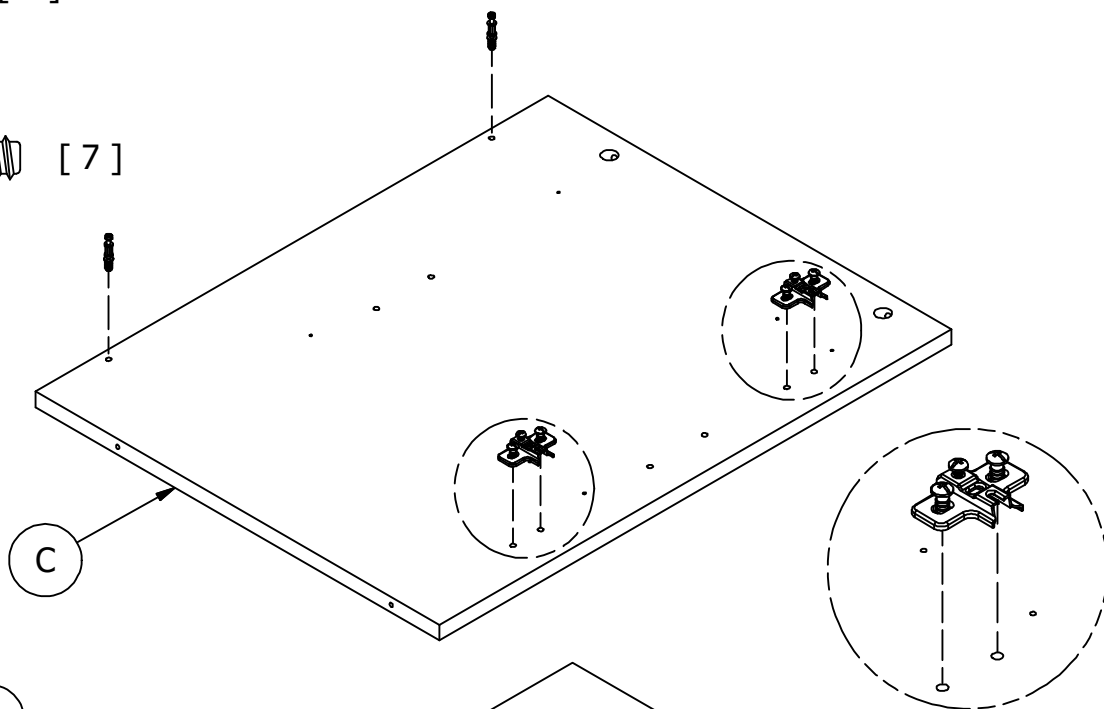
Commencer l'assemblage de l'option 2



[ 2 ]



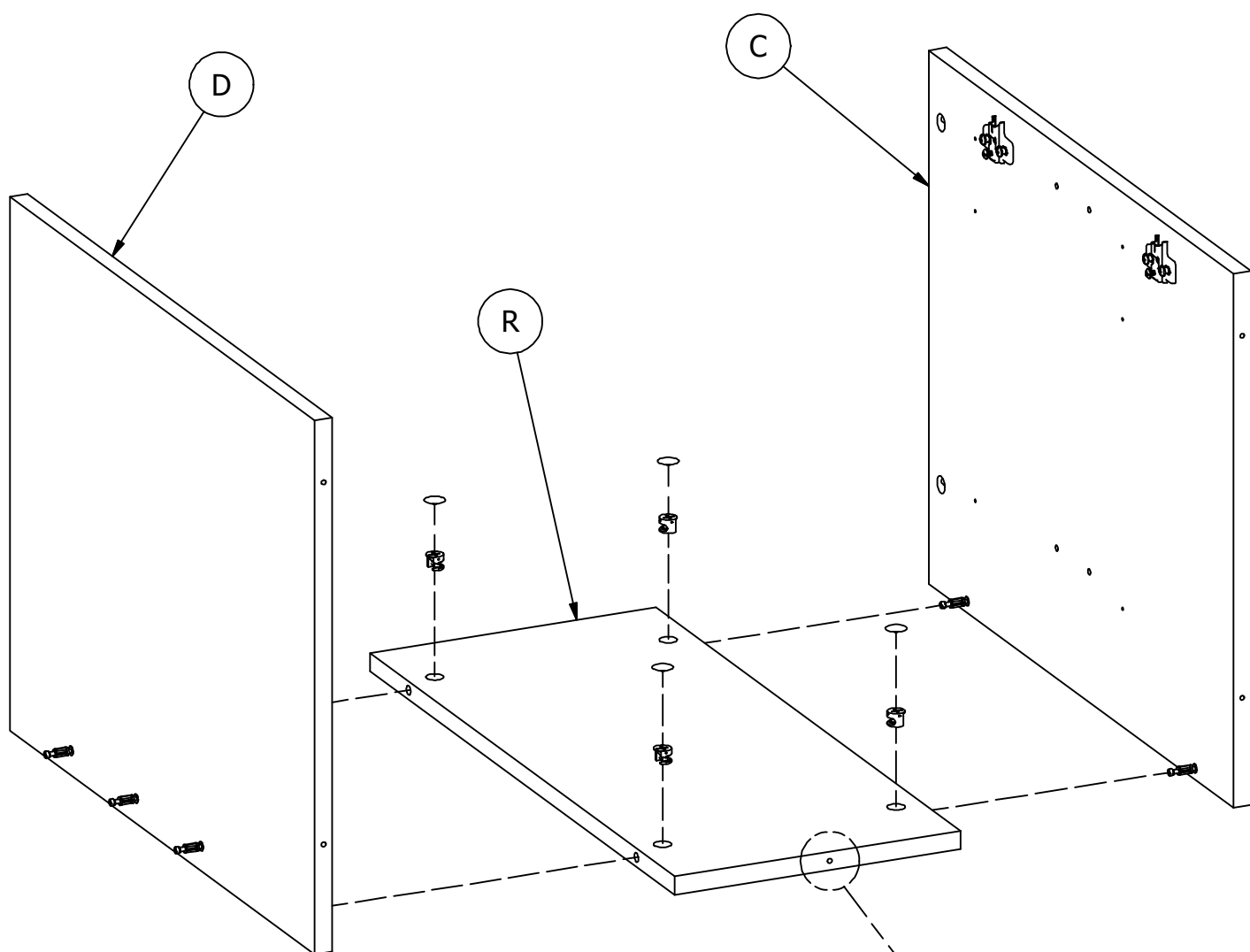
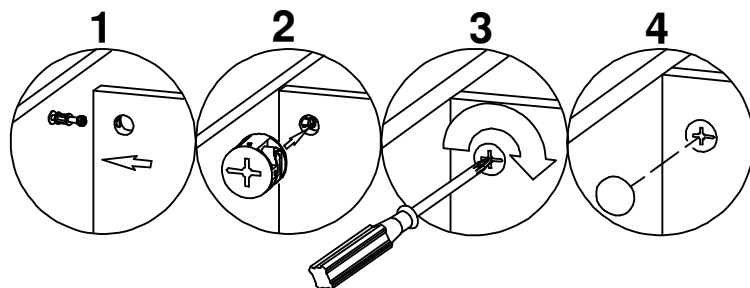
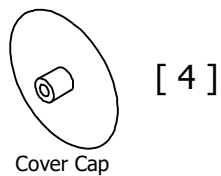
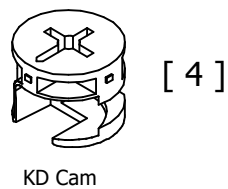
[ 7 ]



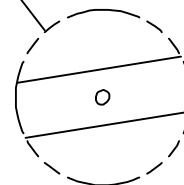
Flip panel over  
Voltrear el panel  
Retournez le panneau

# STEP 31

# Assemble Panels

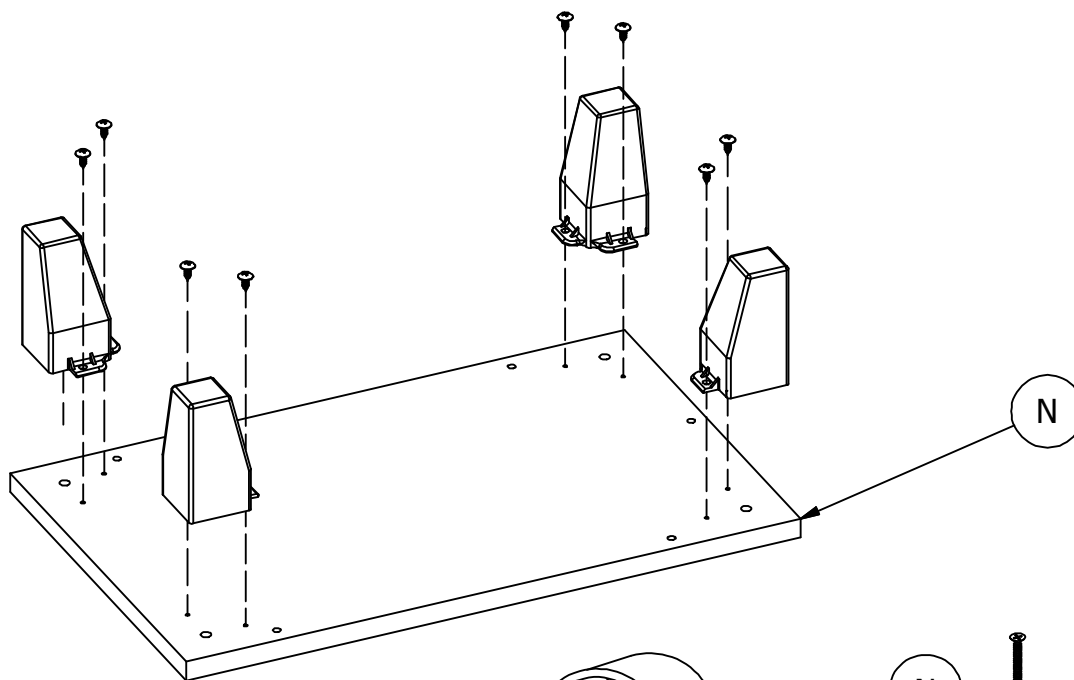
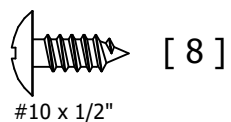
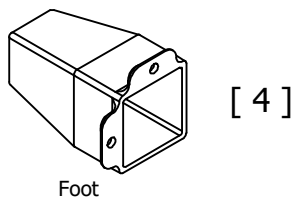
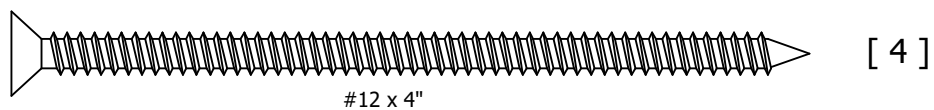


Orientation  
Orientación  
L'orientation

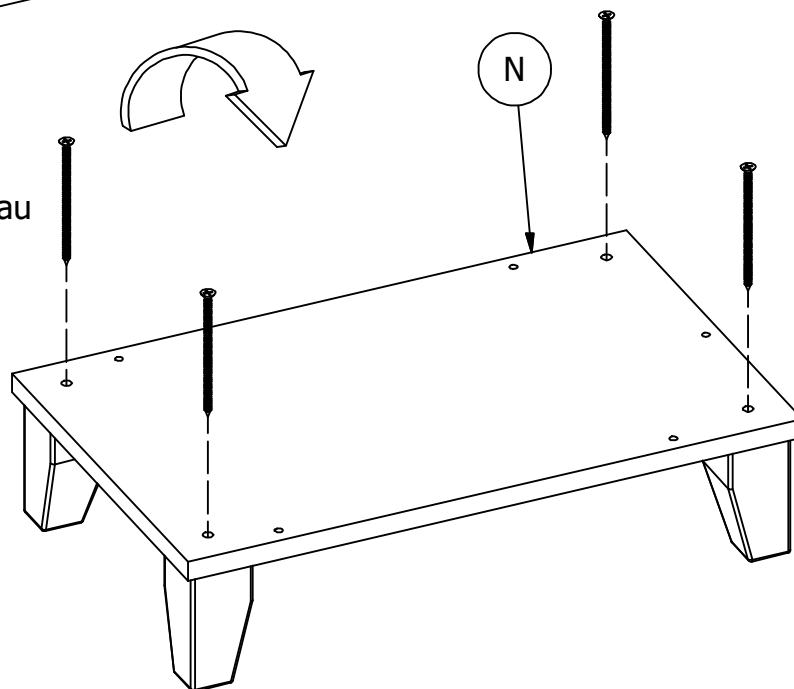


# STEP 33

# Assemble Panels

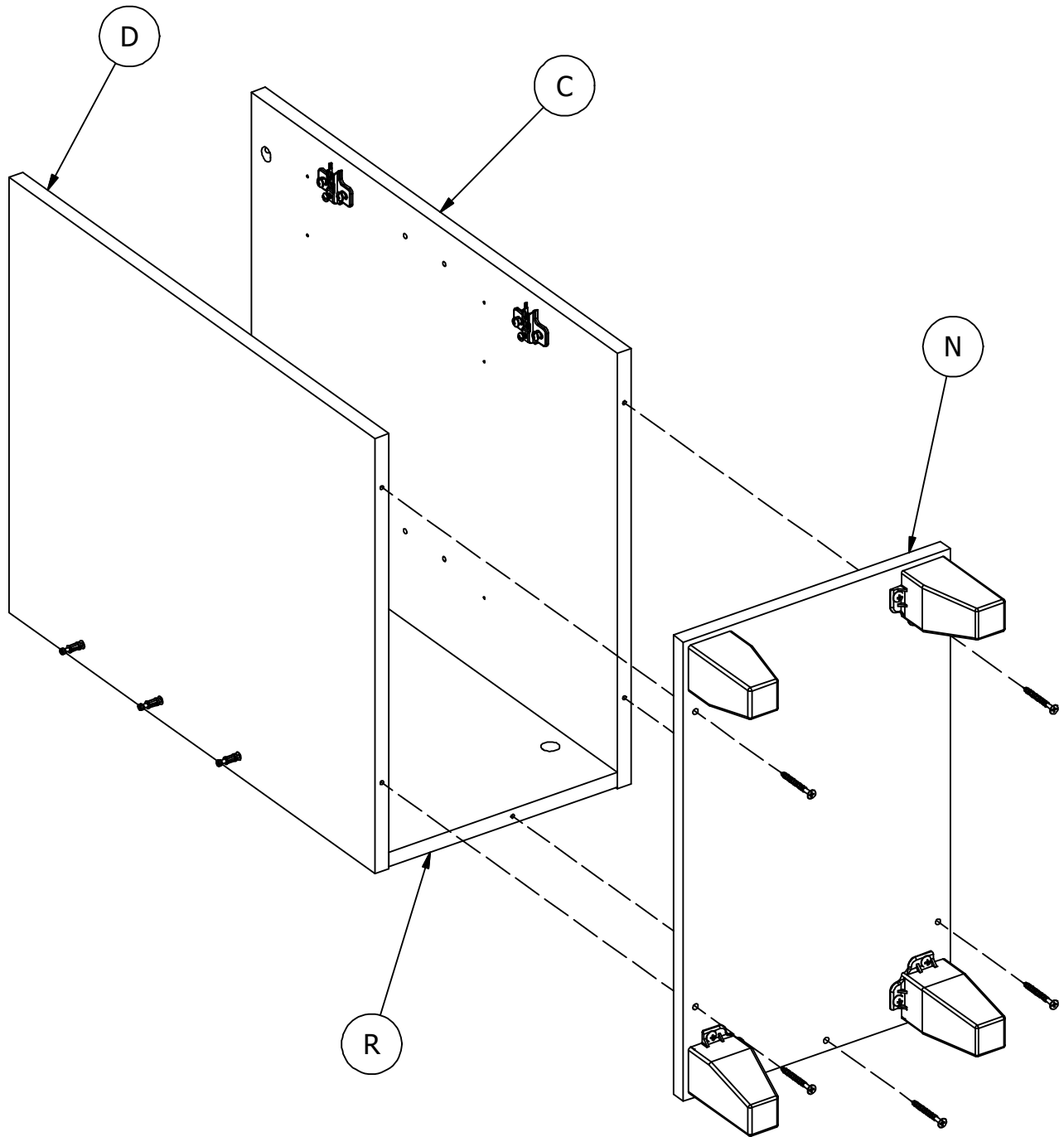
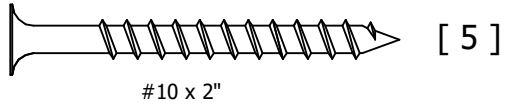


Flip panel over  
Voltear el panel  
Retournez le panneau



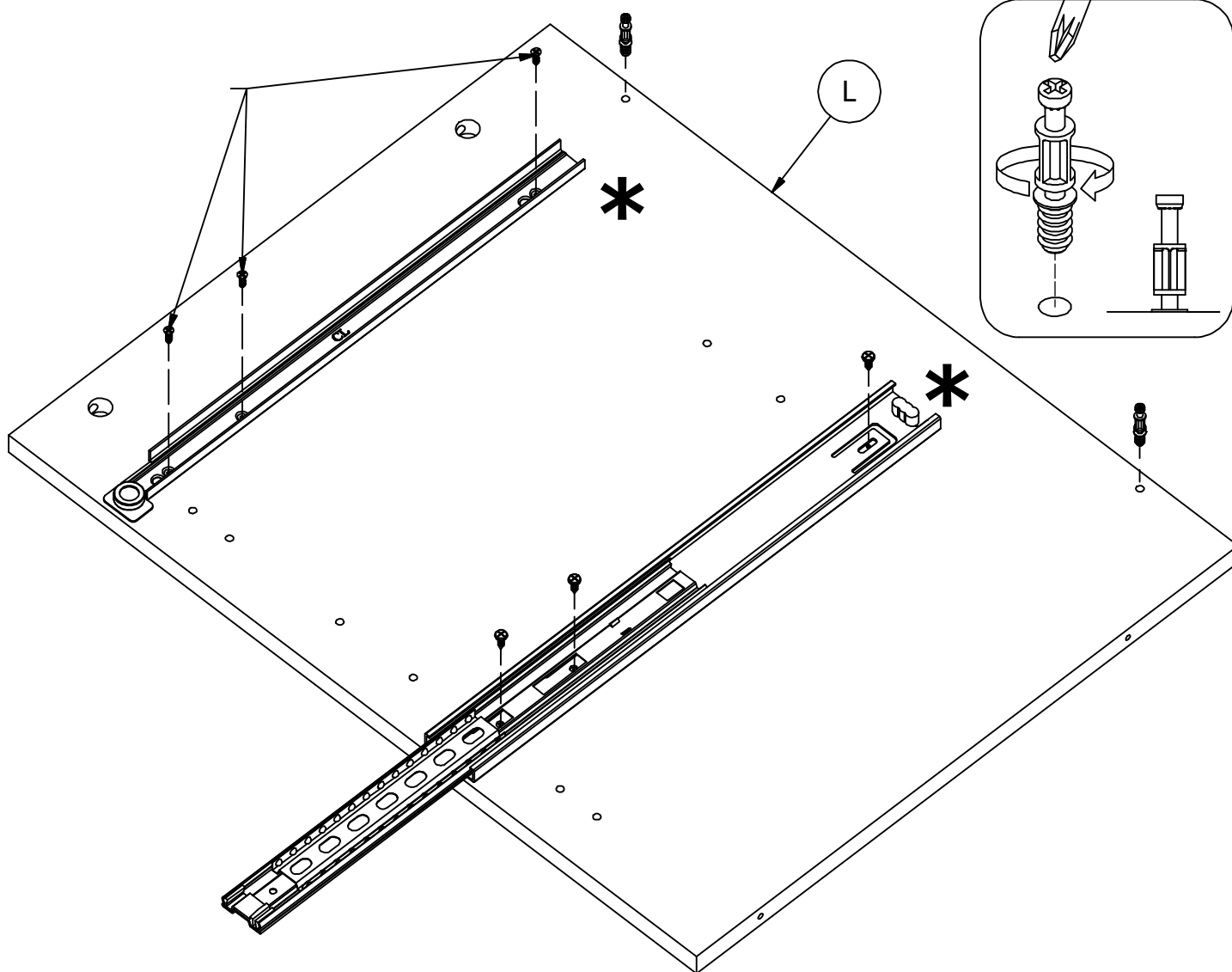
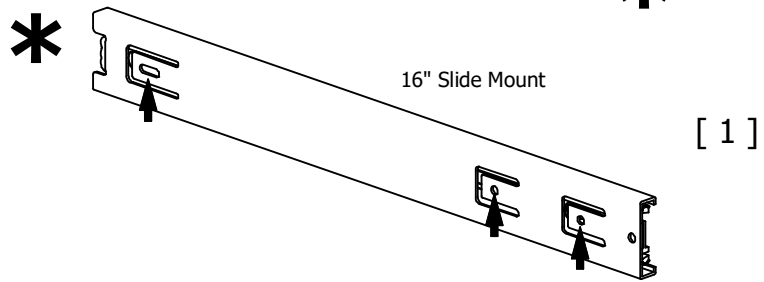
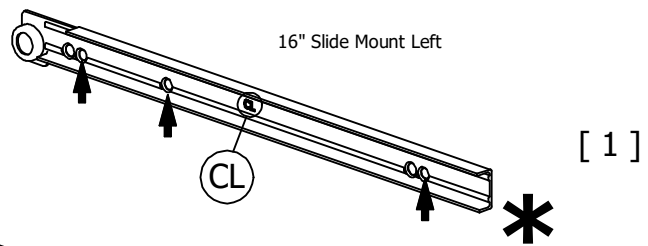
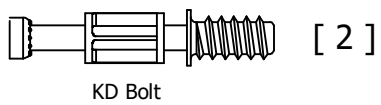
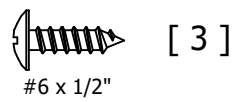
# STEP 34

# Assemble Panels




# STEP 35


# Prepare Panel

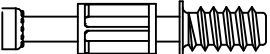


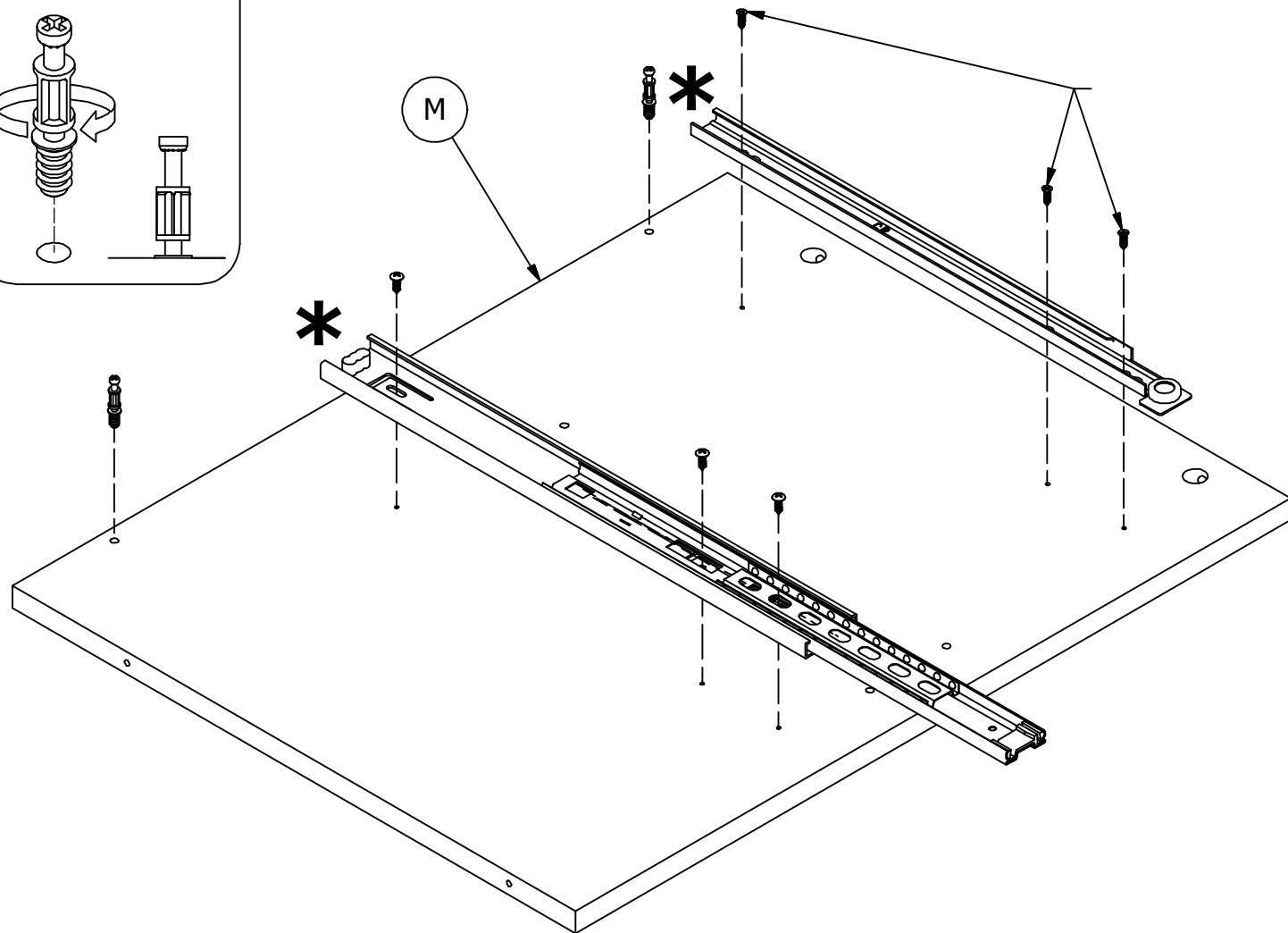
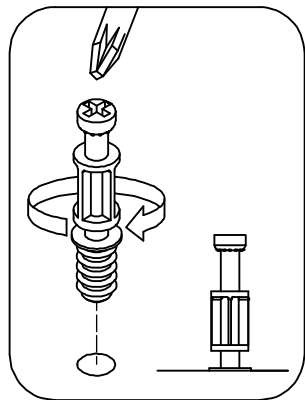
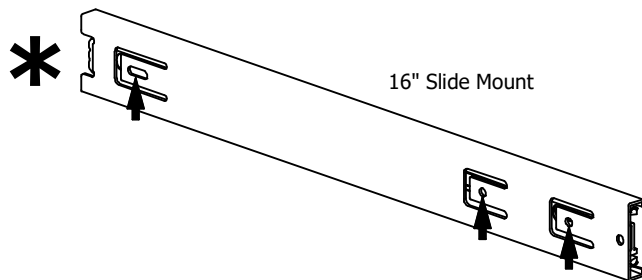
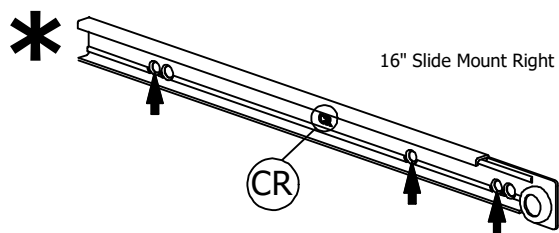
# STEP 36

# Prepare Panel

 [ 3 ]  
#6 x 1/2" Silver

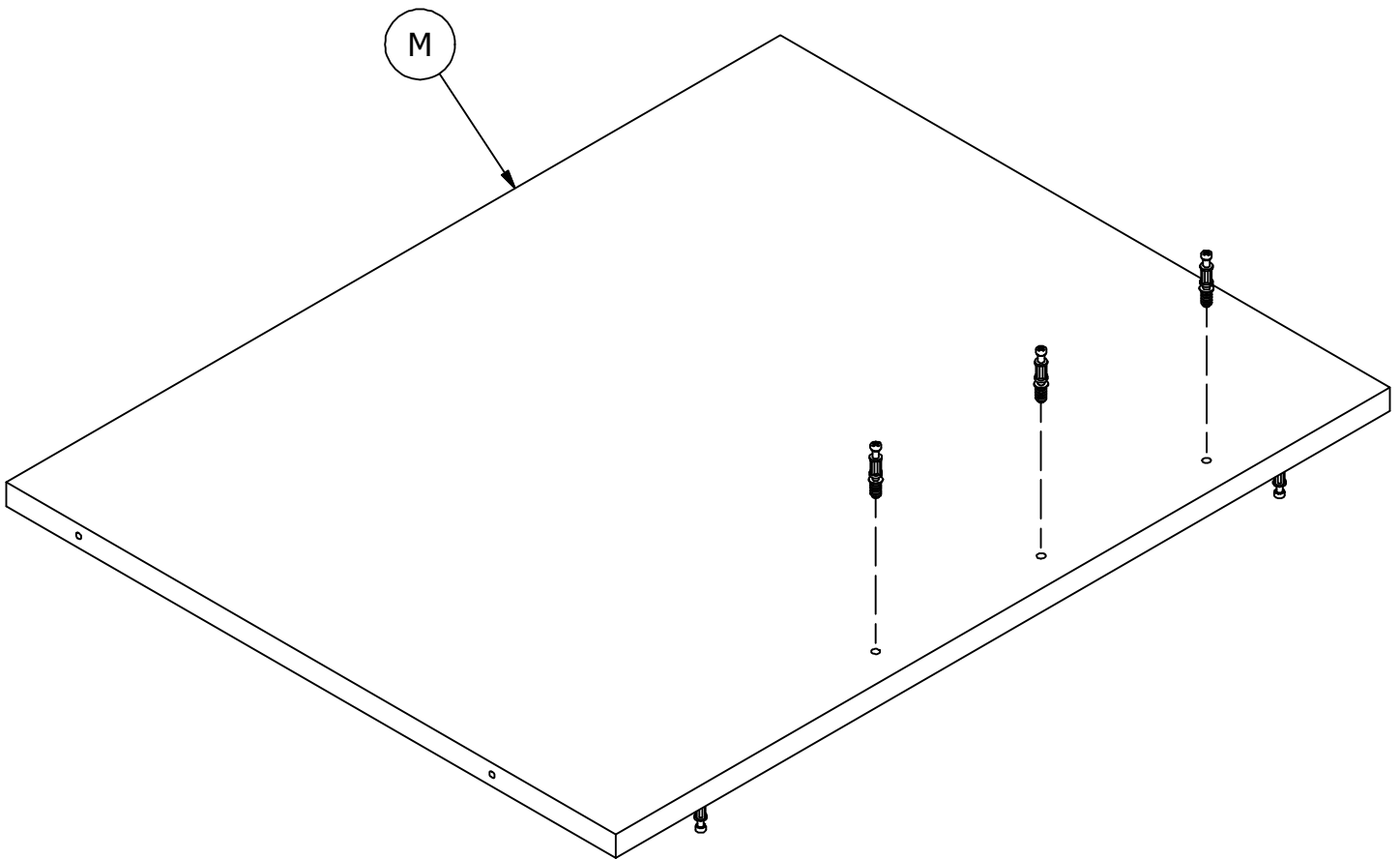
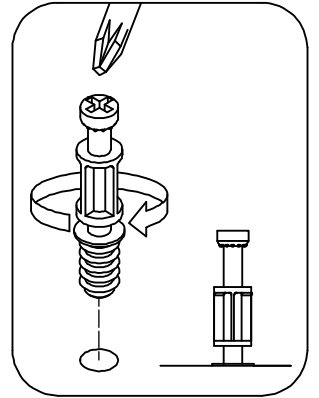
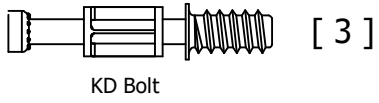
 [ 3 ]  
#6 x 1/2"

 [ 2 ]  
KD Bolt



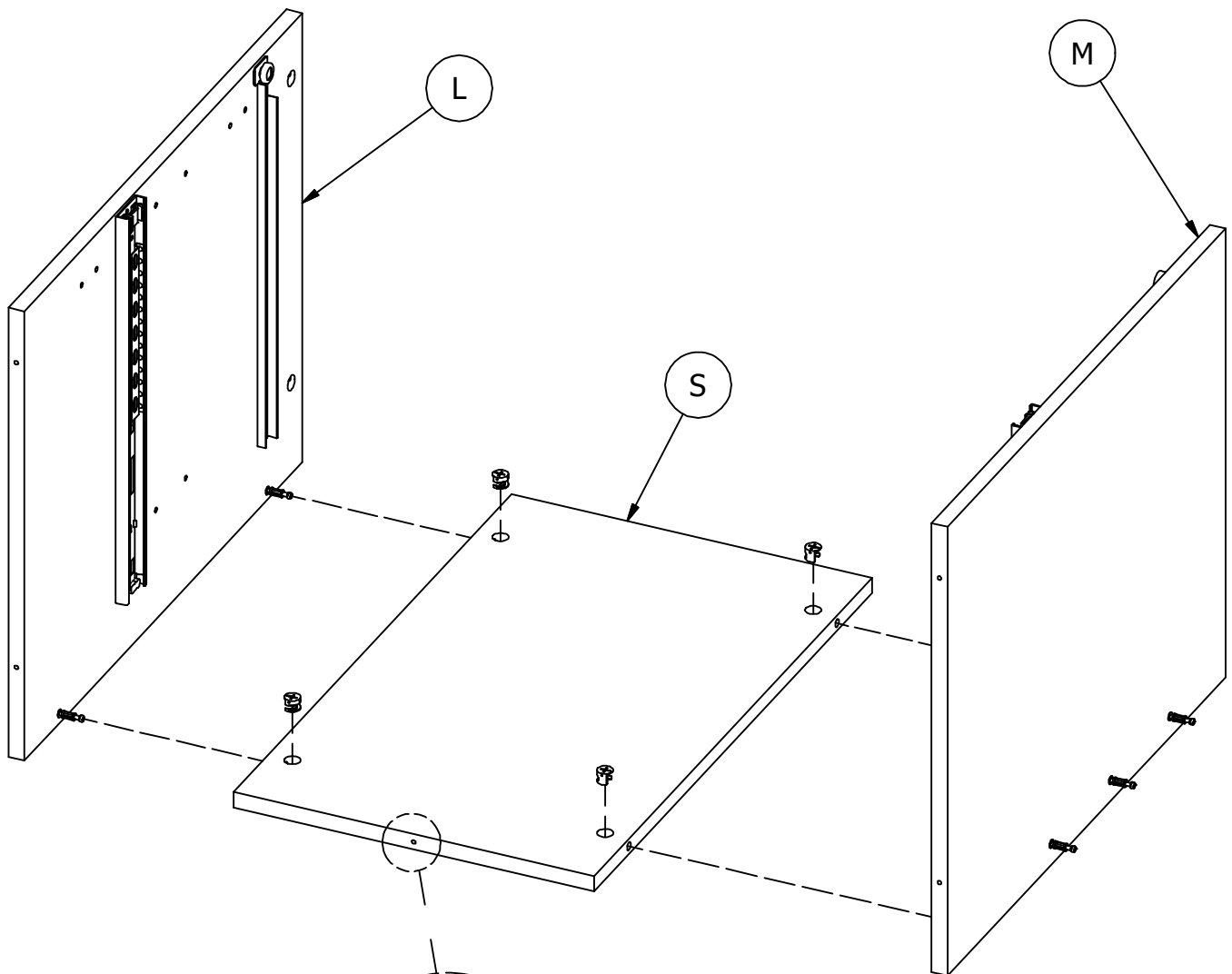
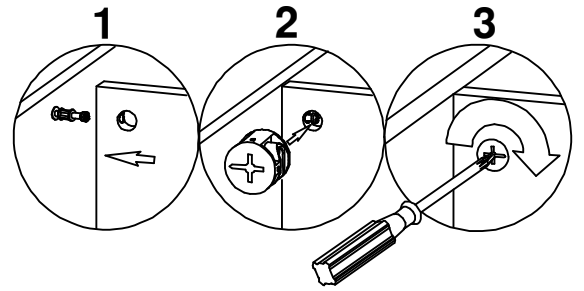
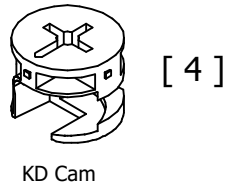
# STEP 37

# Prepare Panel

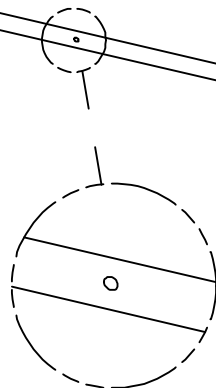


# STEP 38

# Assemble Panels

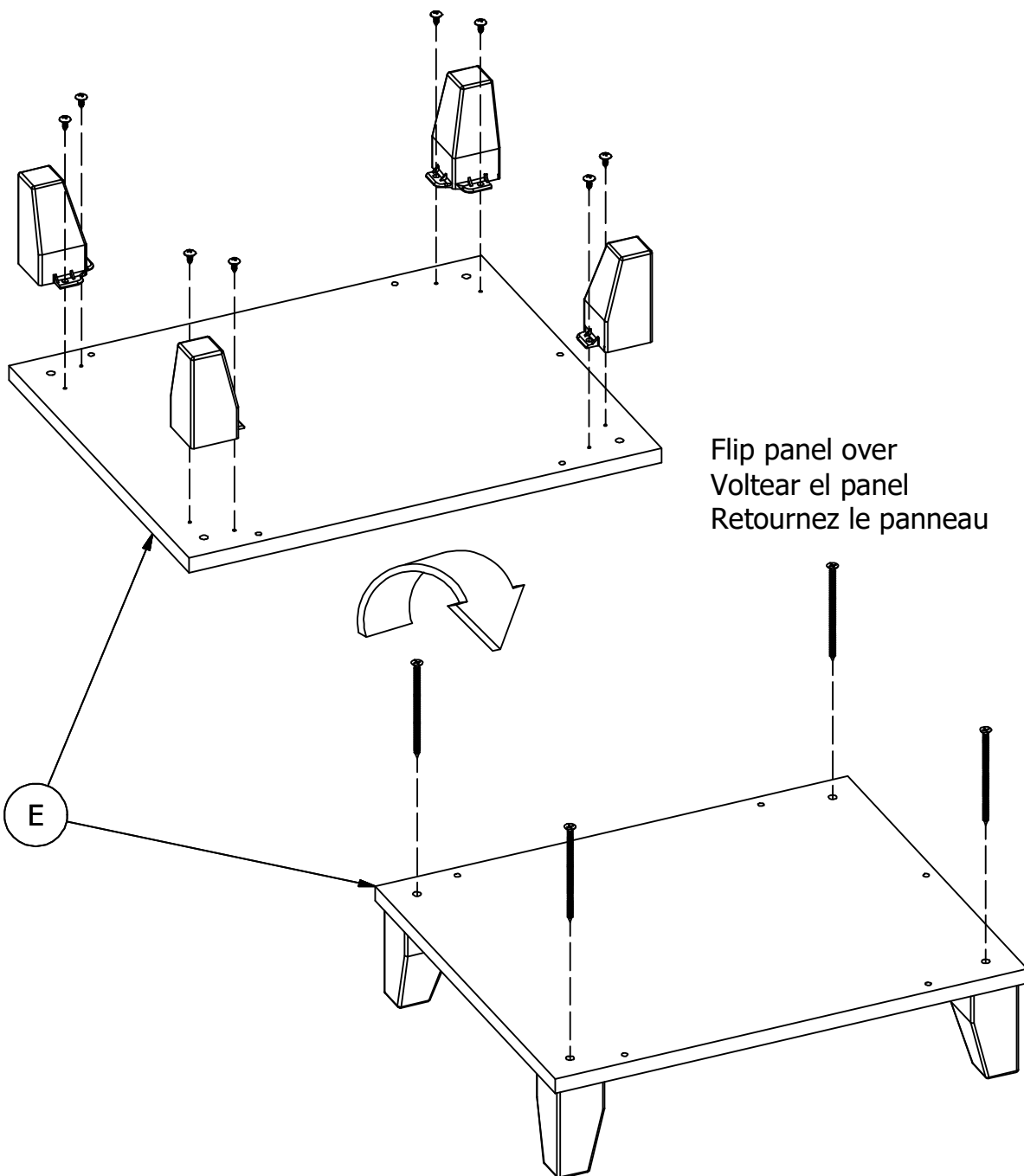
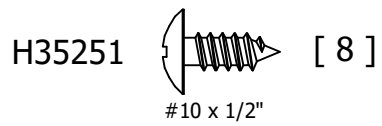
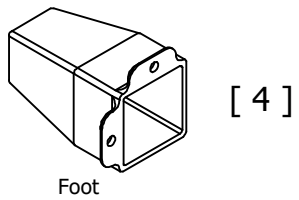
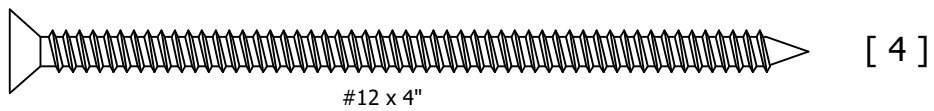


Orientation  
Orientación  
L'orientation



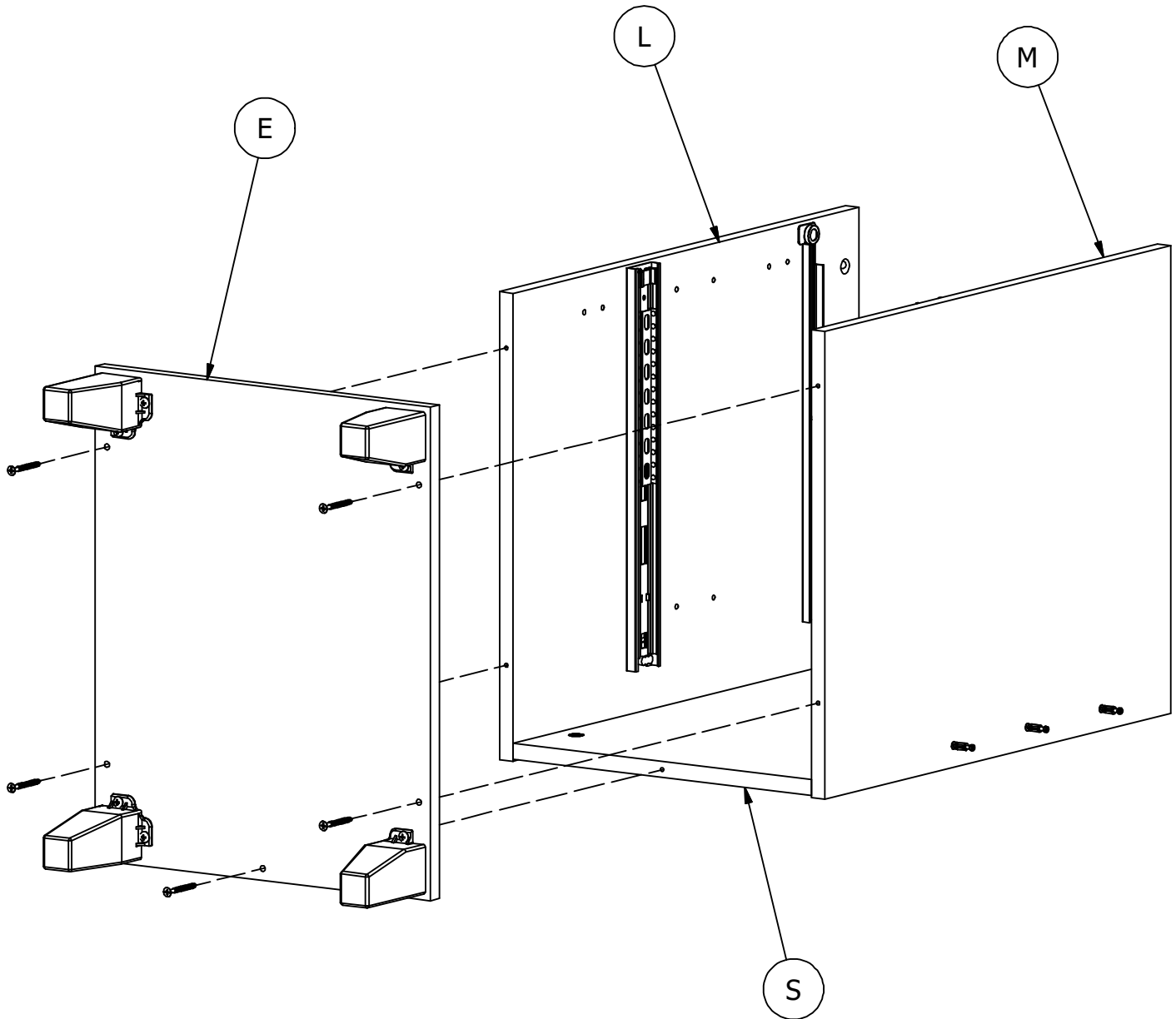
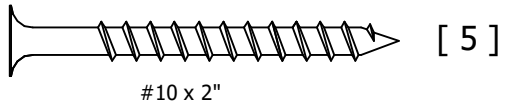
# STEP 39

# Prepare Panel



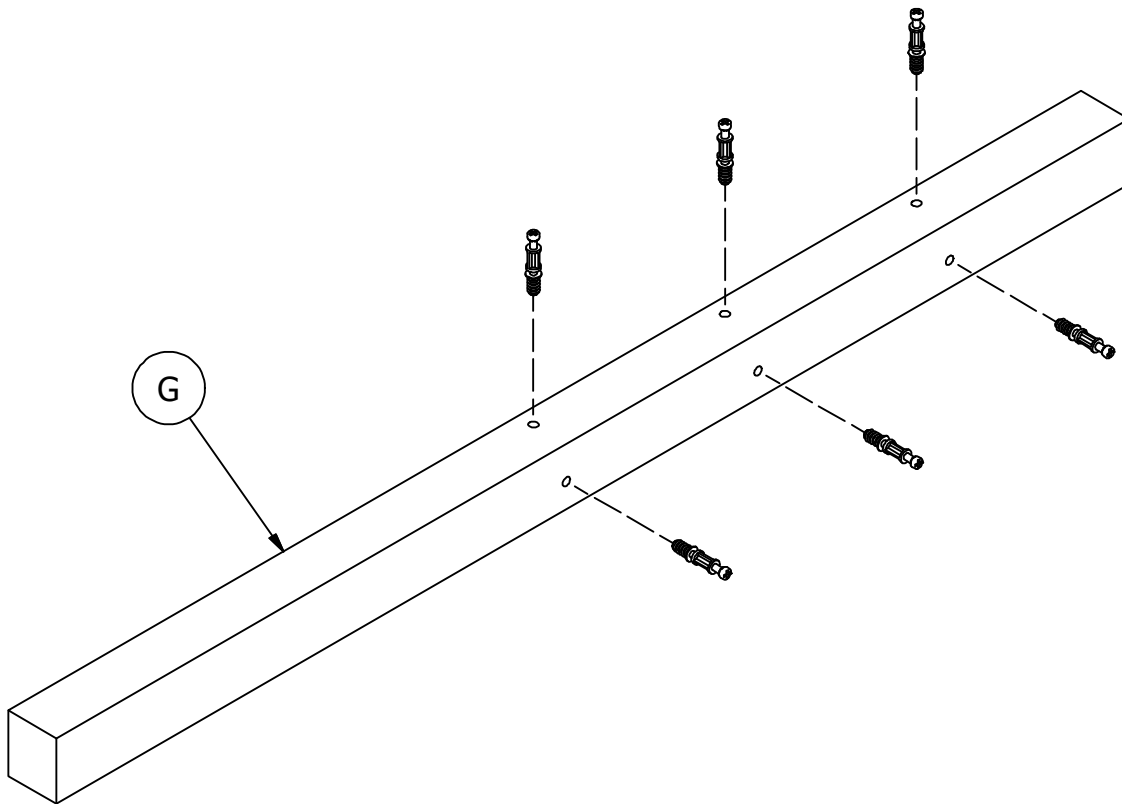
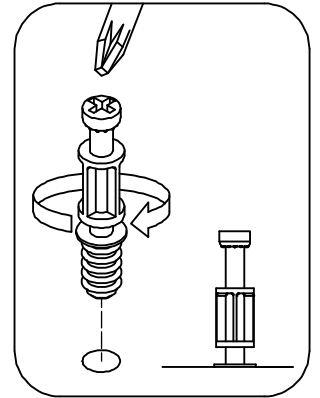
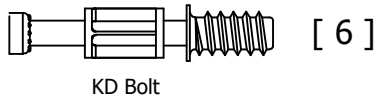
# STEP 40

# Assemble Panels



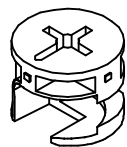
# STEP 41

# Prepare Rear Leg



# STEP 42

# Assemble Panels



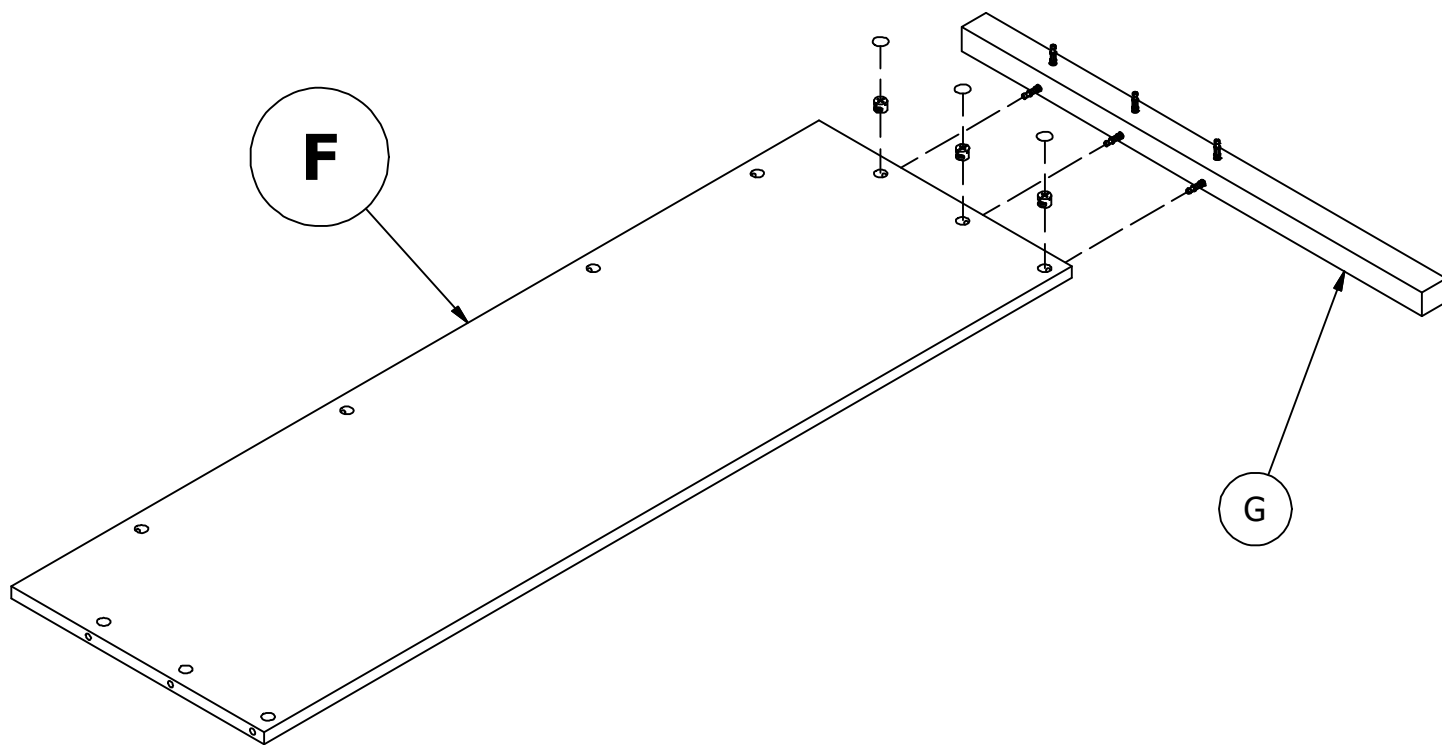
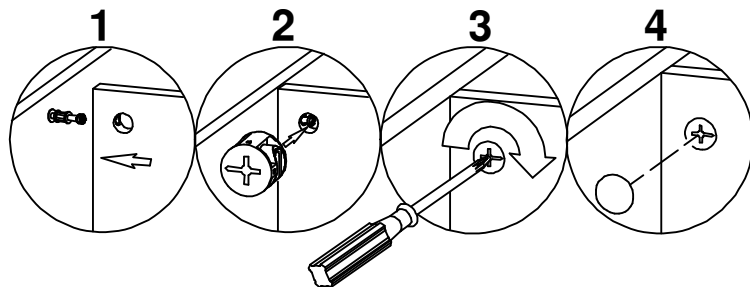
[ 3 ]

KD Cam



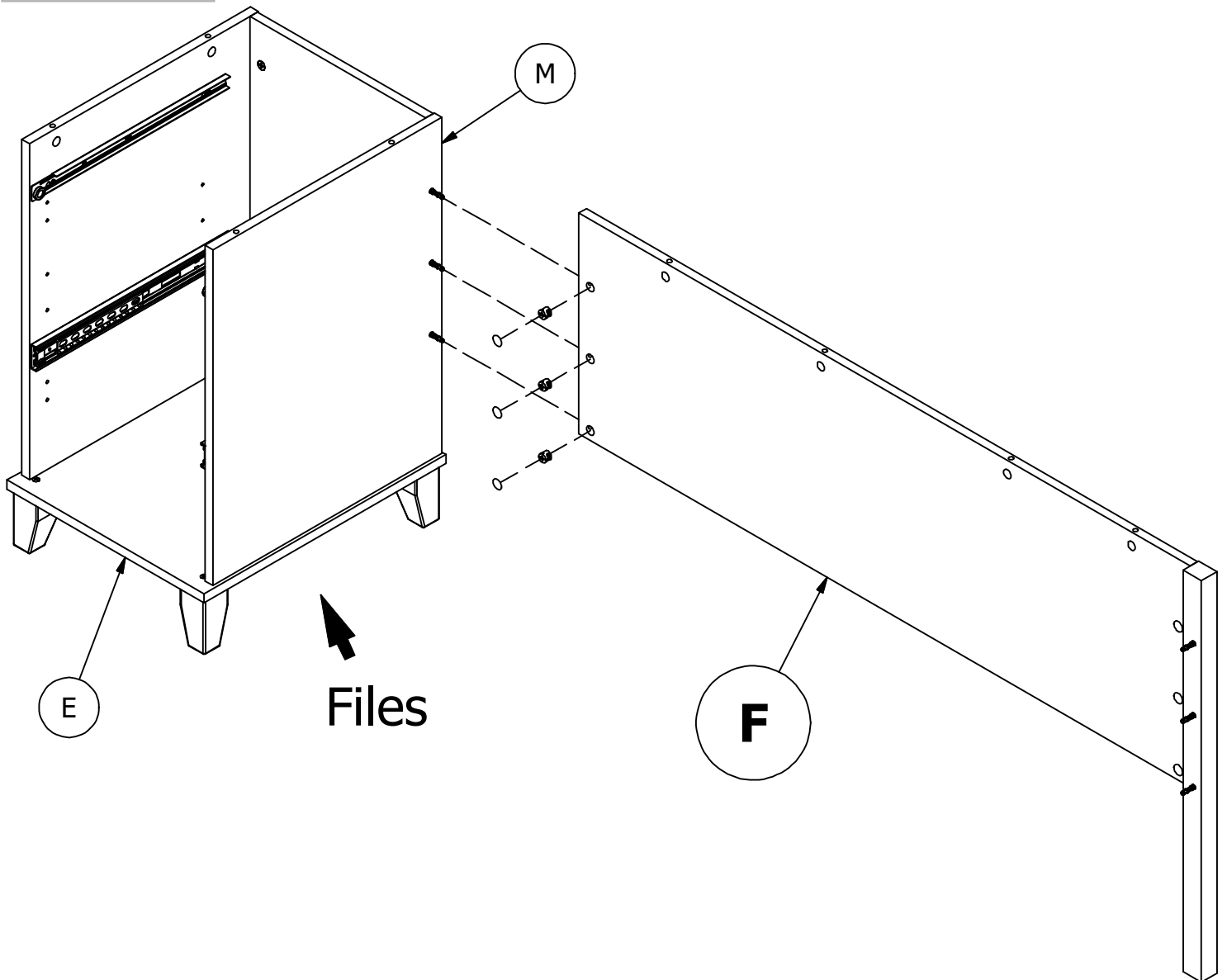
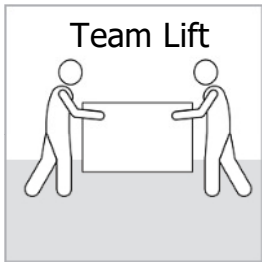
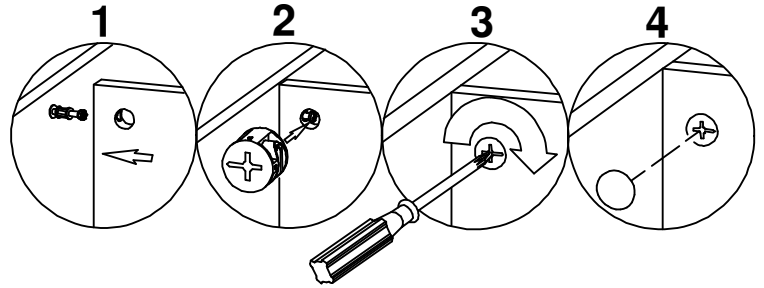
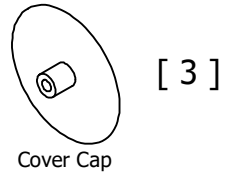
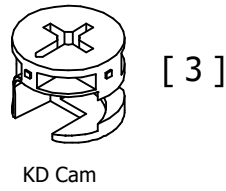
[ 3 ]

Cover Cap



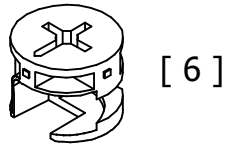
# STEP 43

# Assemble Panel to File Cabinet



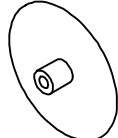
# STEP 44

# Assemble Panel to Storage Cabinet



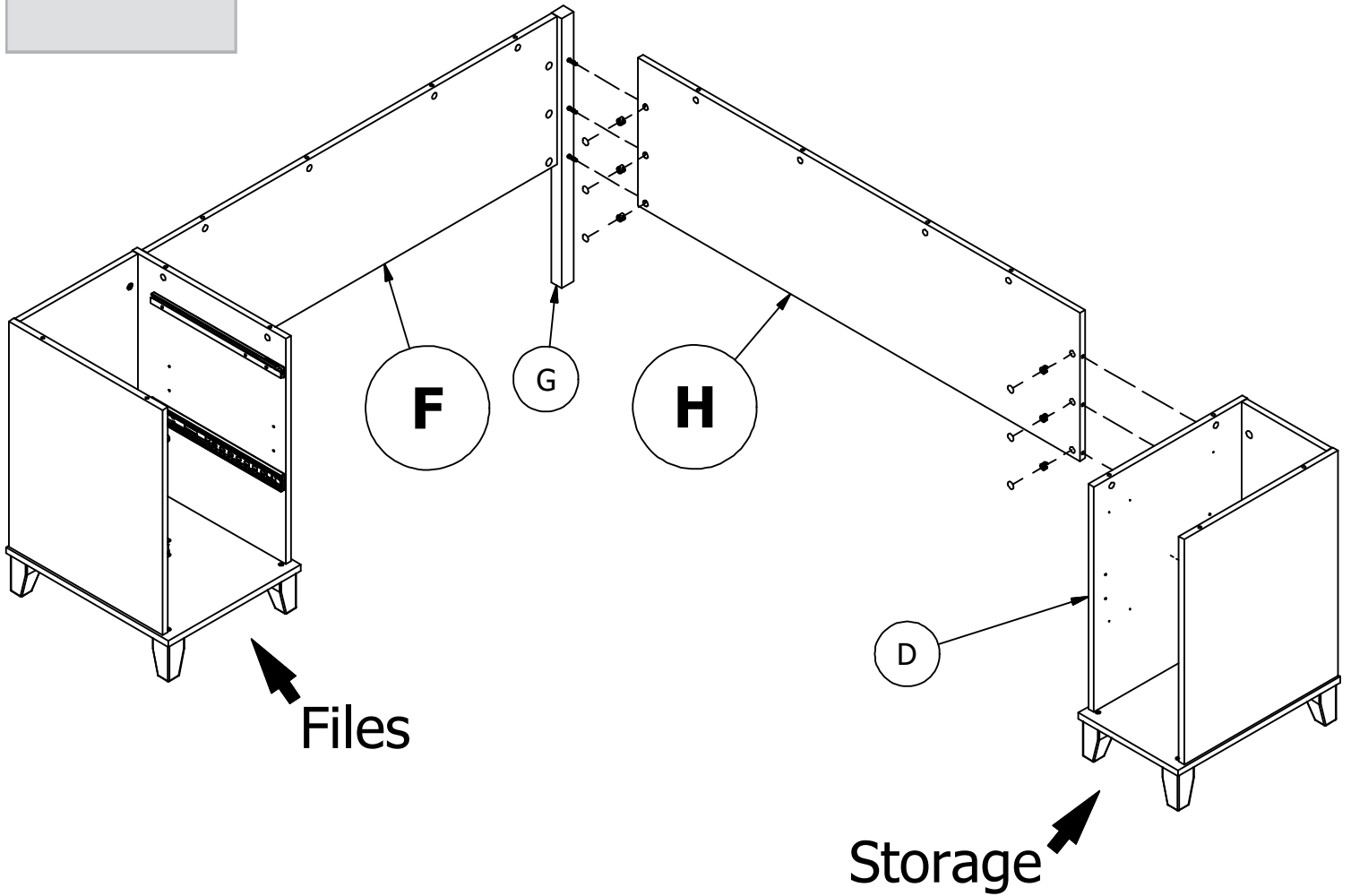
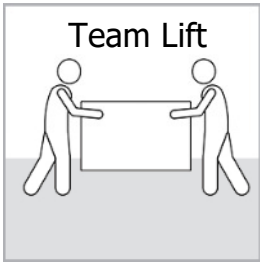
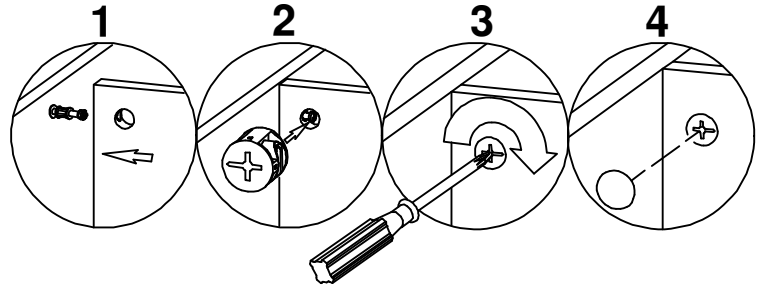
[ 6 ]

KD Cam



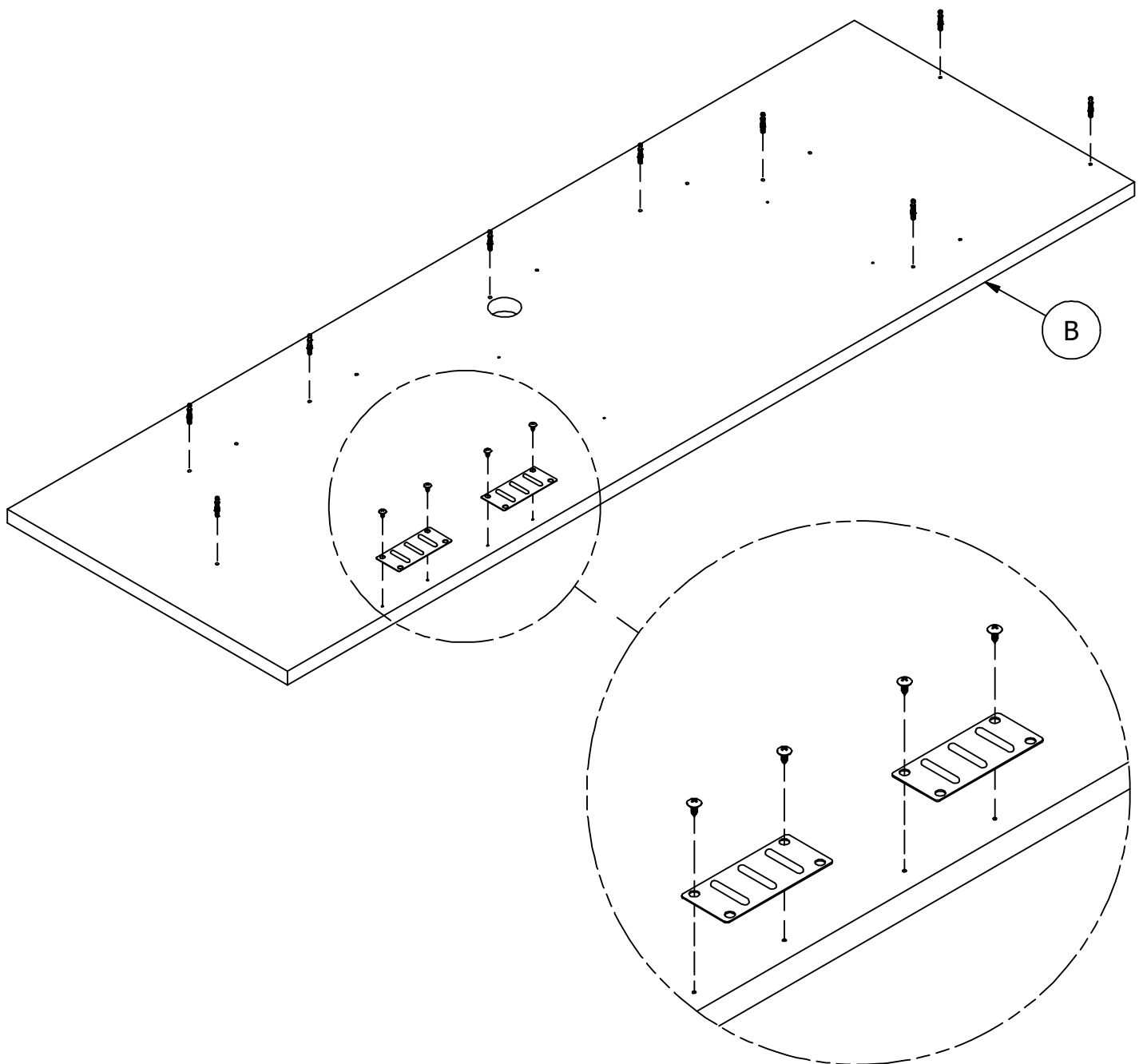
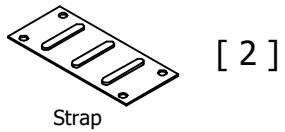
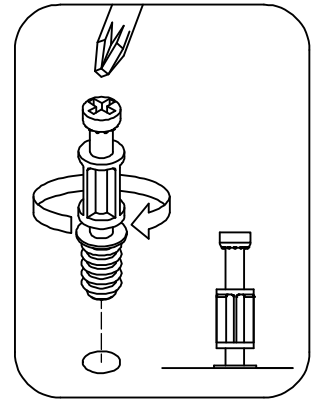
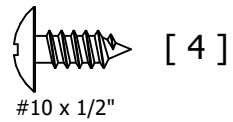
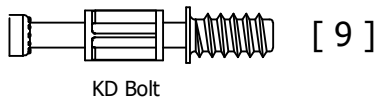
[ 6 ]

Cover Cap



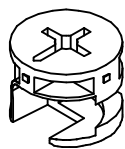
# STEP 45

# Prepare Panel



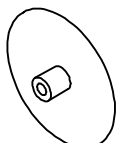
# STEP 46

# Assemble Panels



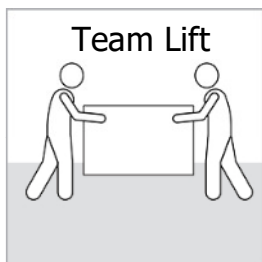
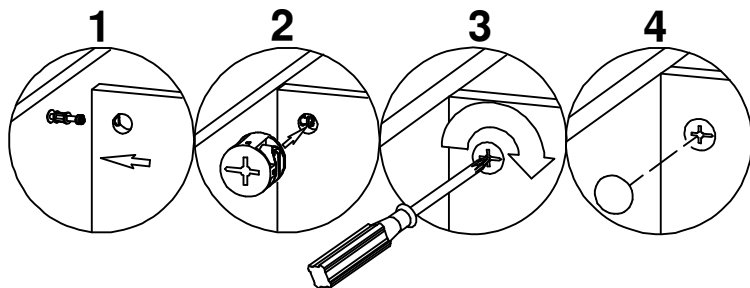
[ 9 ]

KD Cam

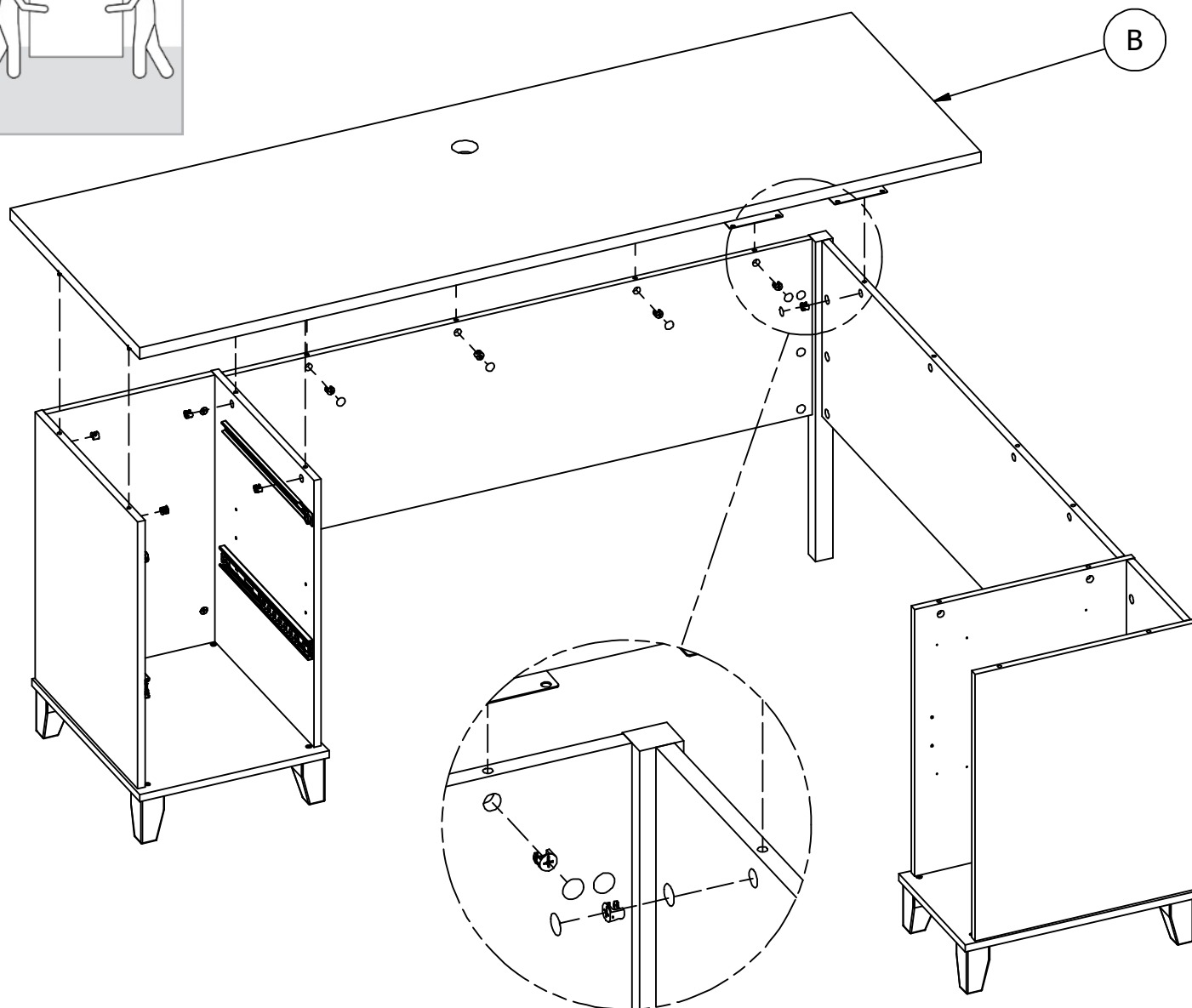


[ 5 ]

Cover Cap

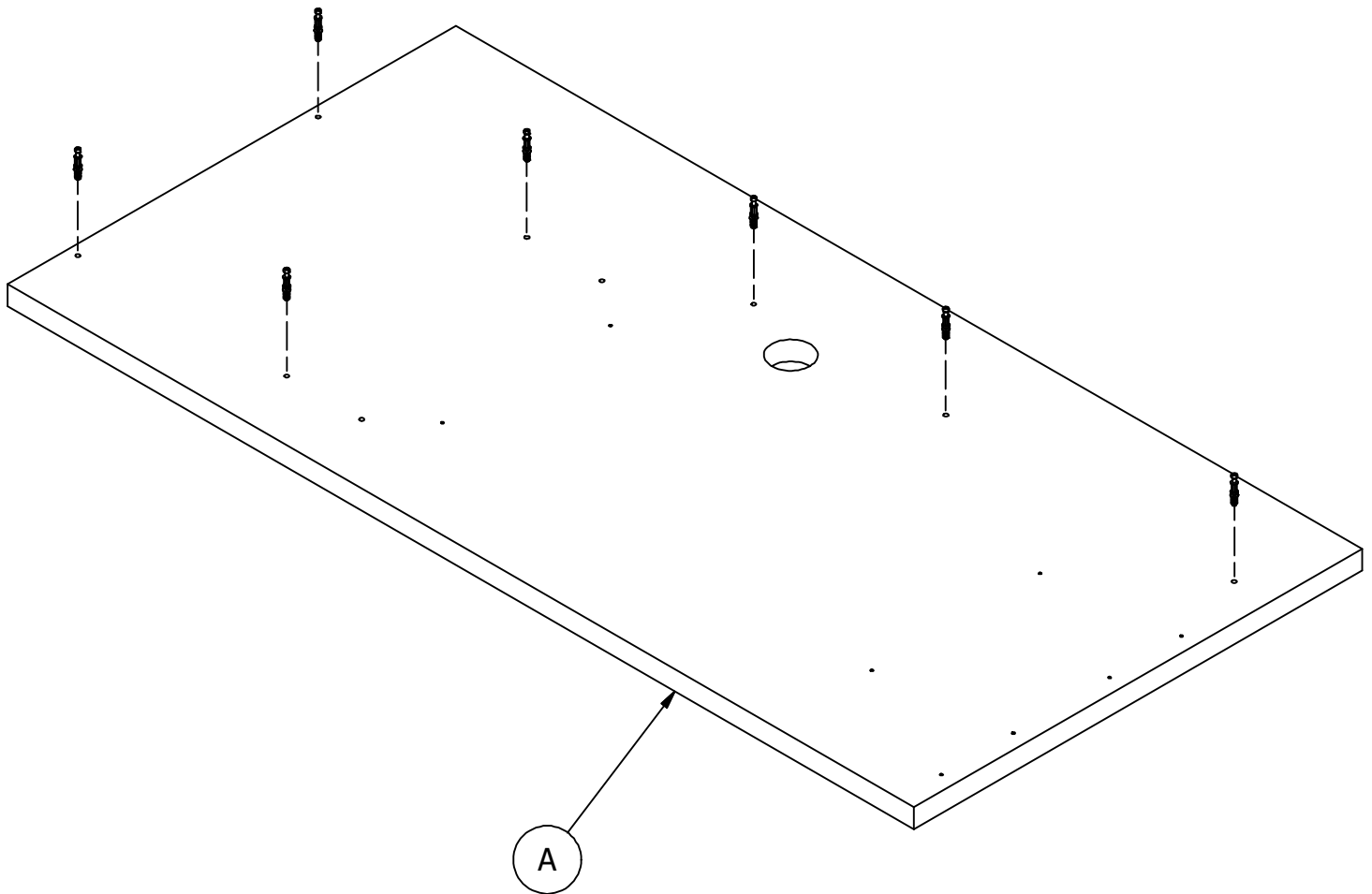
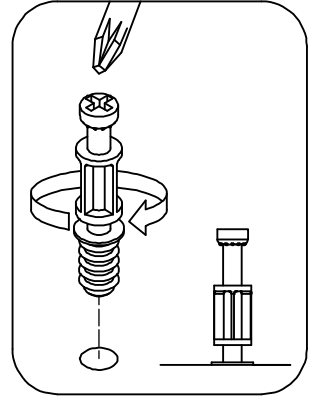
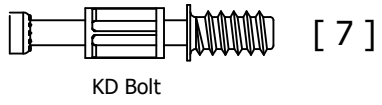


Team Lift



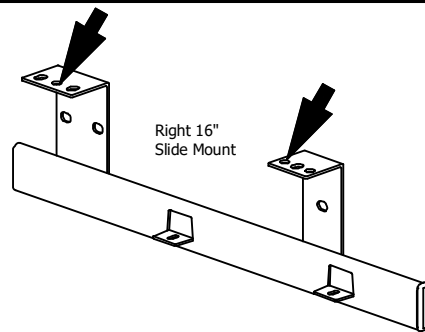
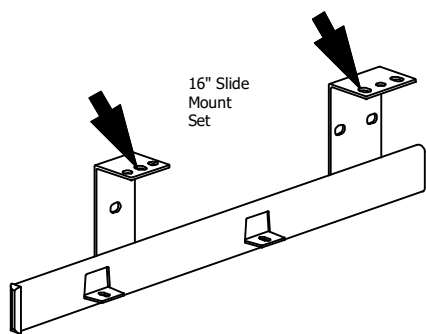
# STEP 47

# Prepare Panel



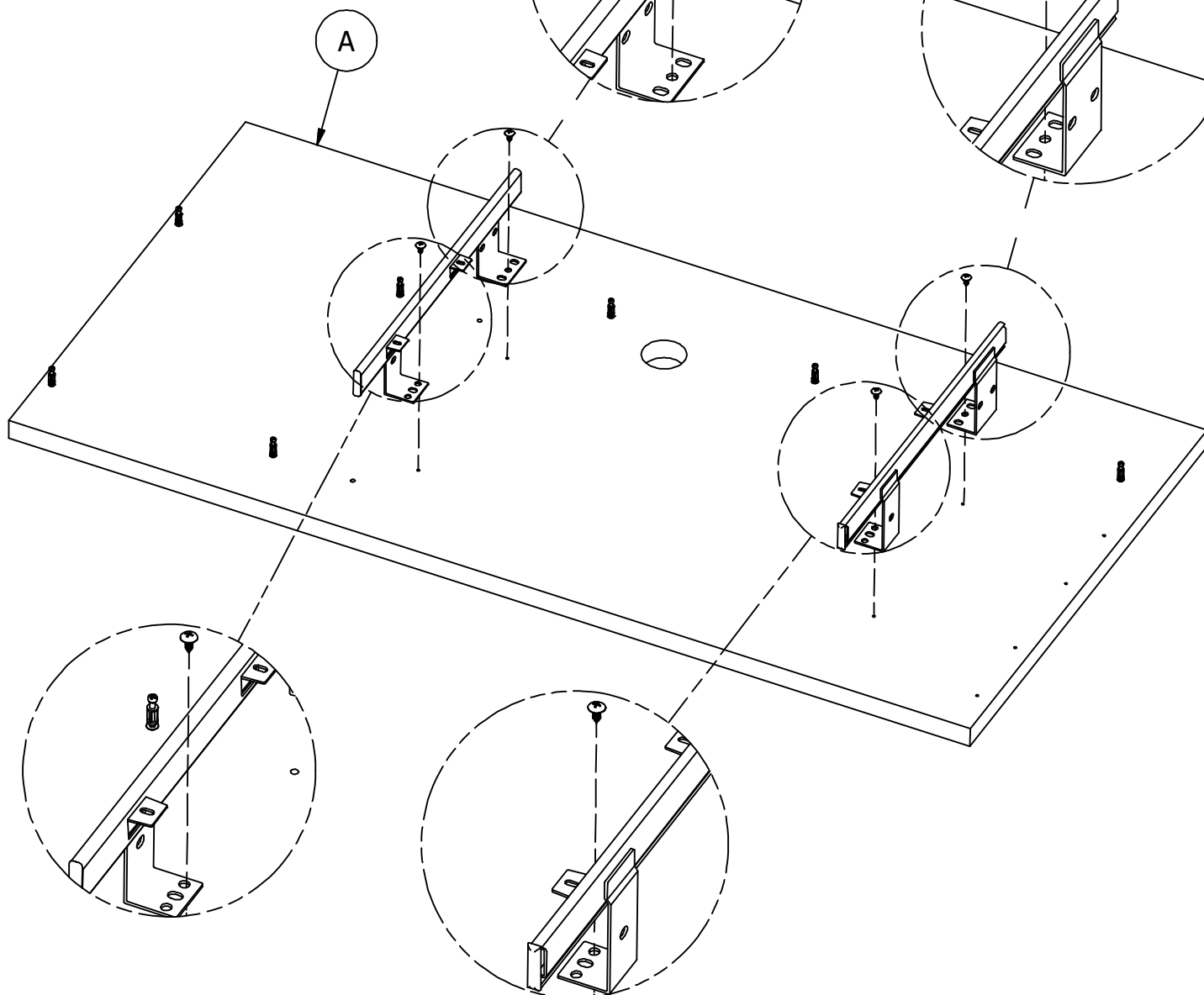
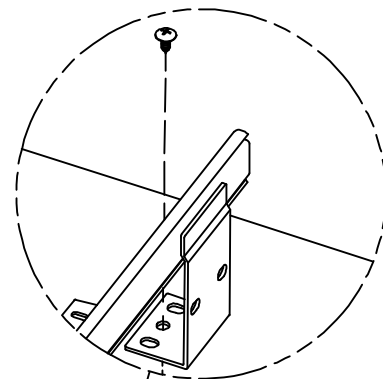
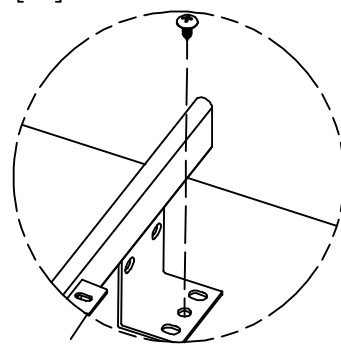
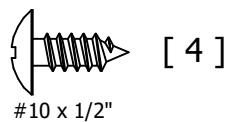
# STEP 48

# Attach Keyboard Hardware



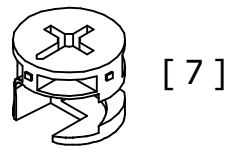
[ 1 ]

[ 1 ]



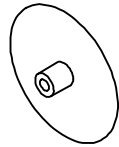
# STEP 49

# Assemble Panels



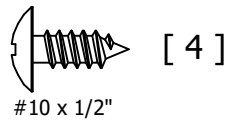
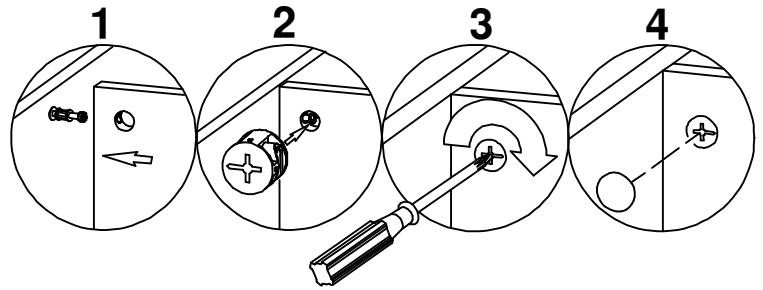
KD Cam

[ 7 ]



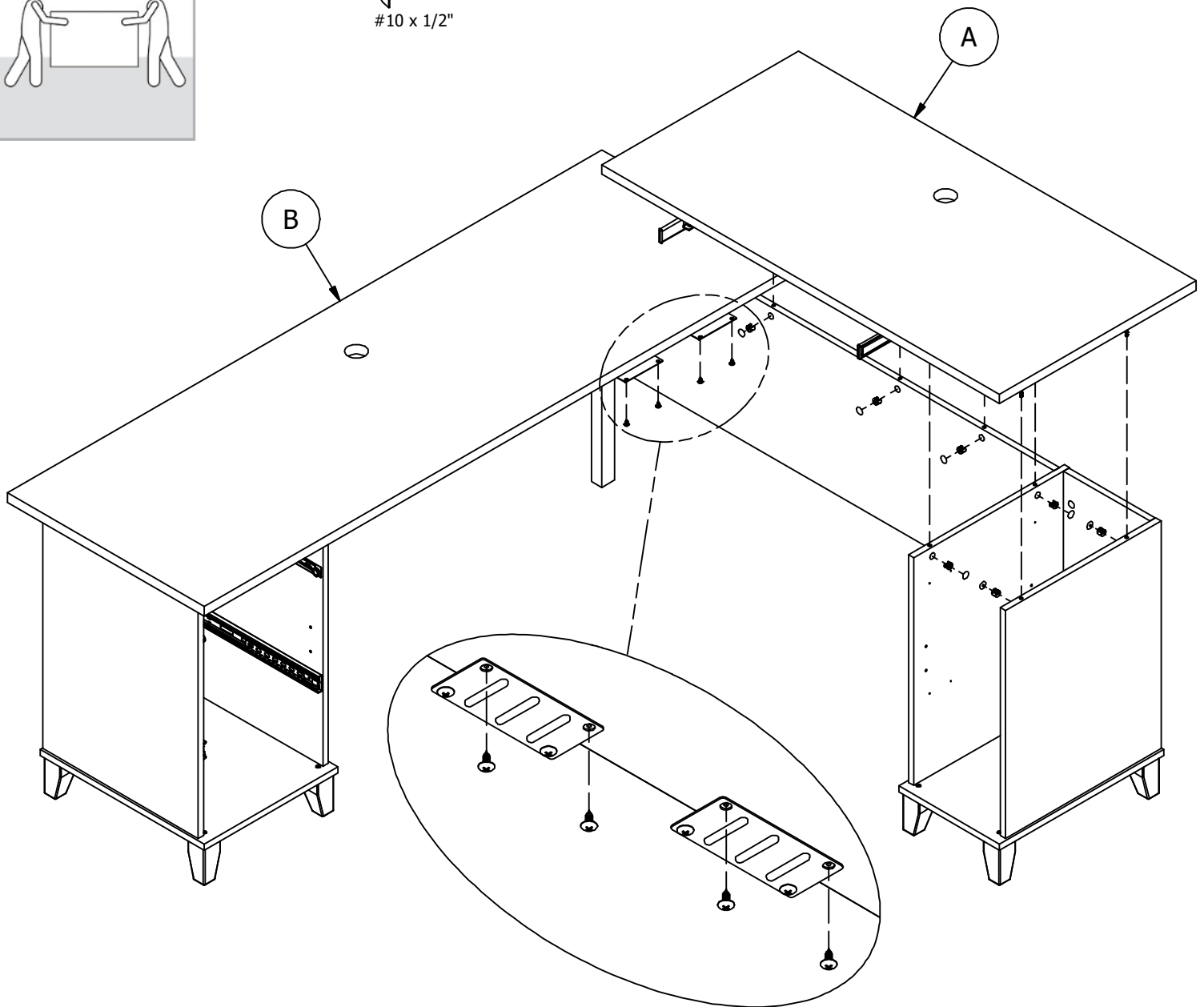
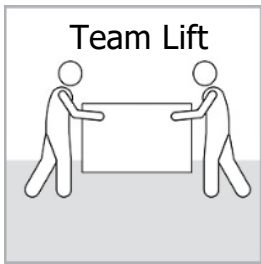
Cover Cap

[ 7 ]



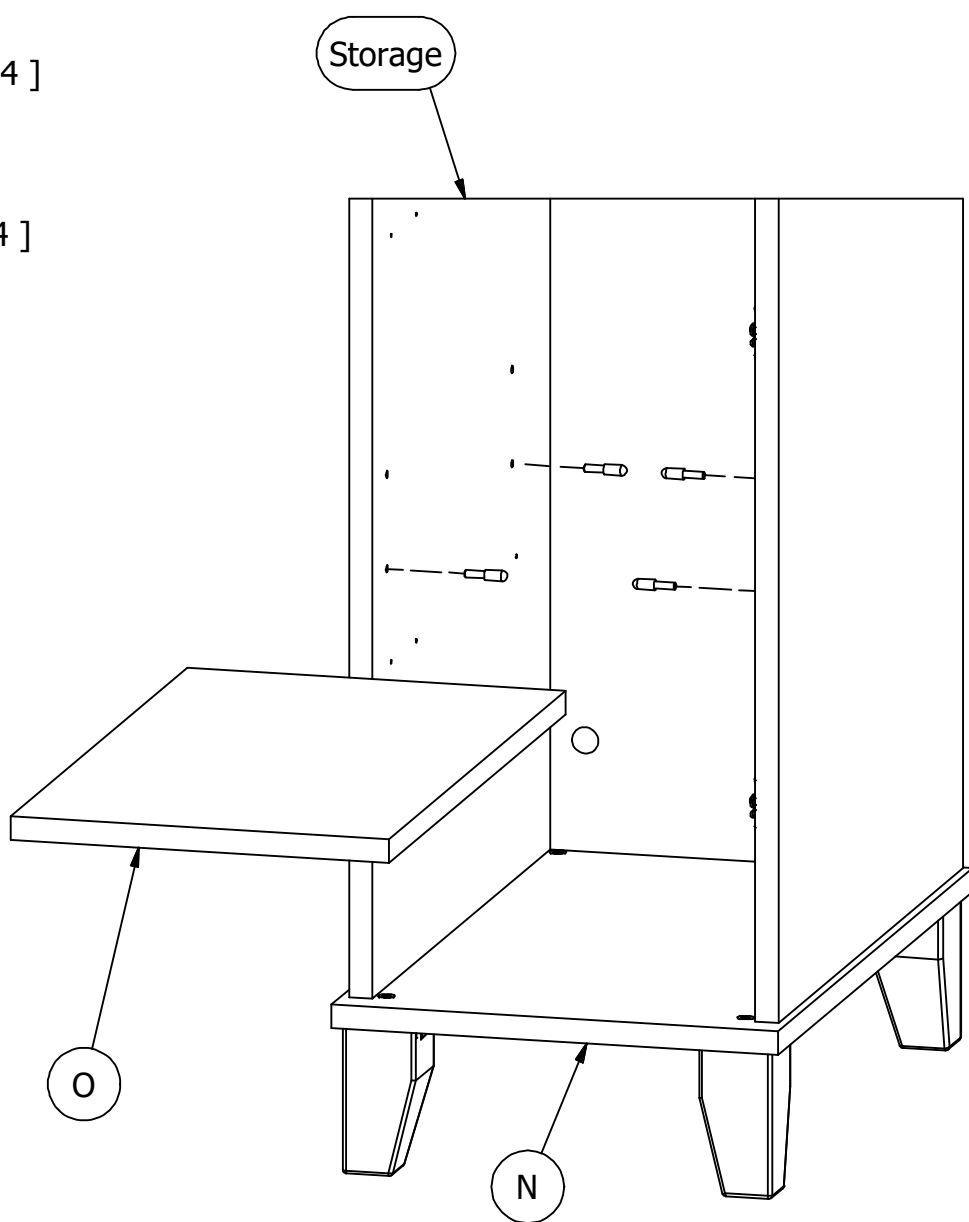
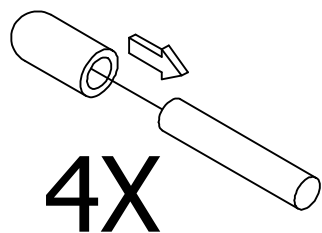
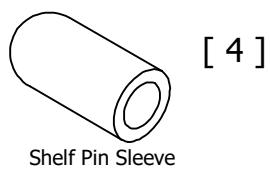
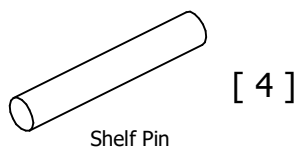
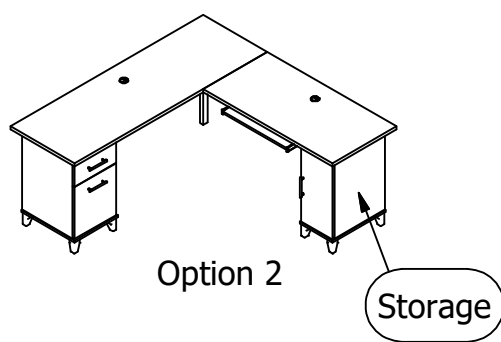
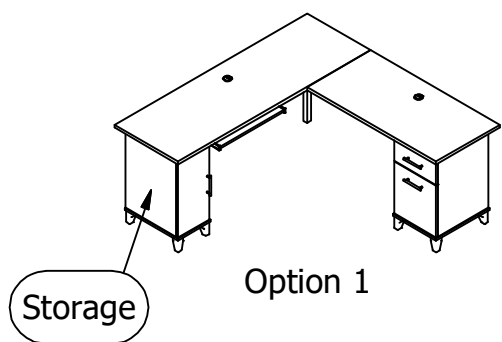
[ 4 ]

#10 x 1/2"



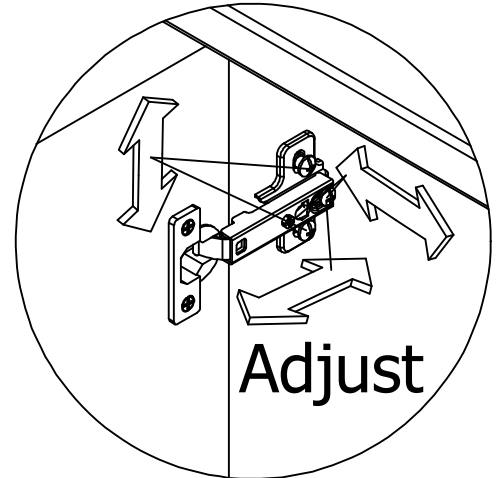
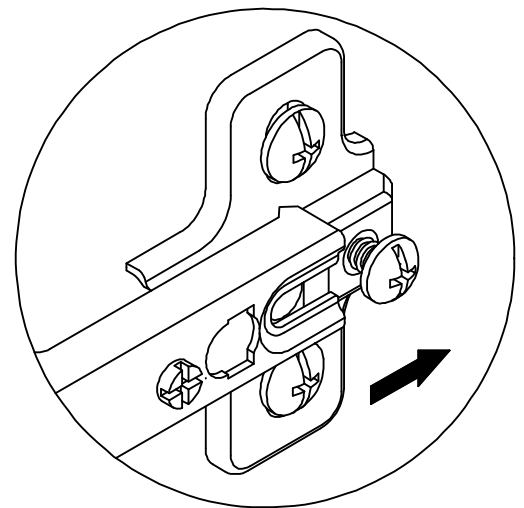
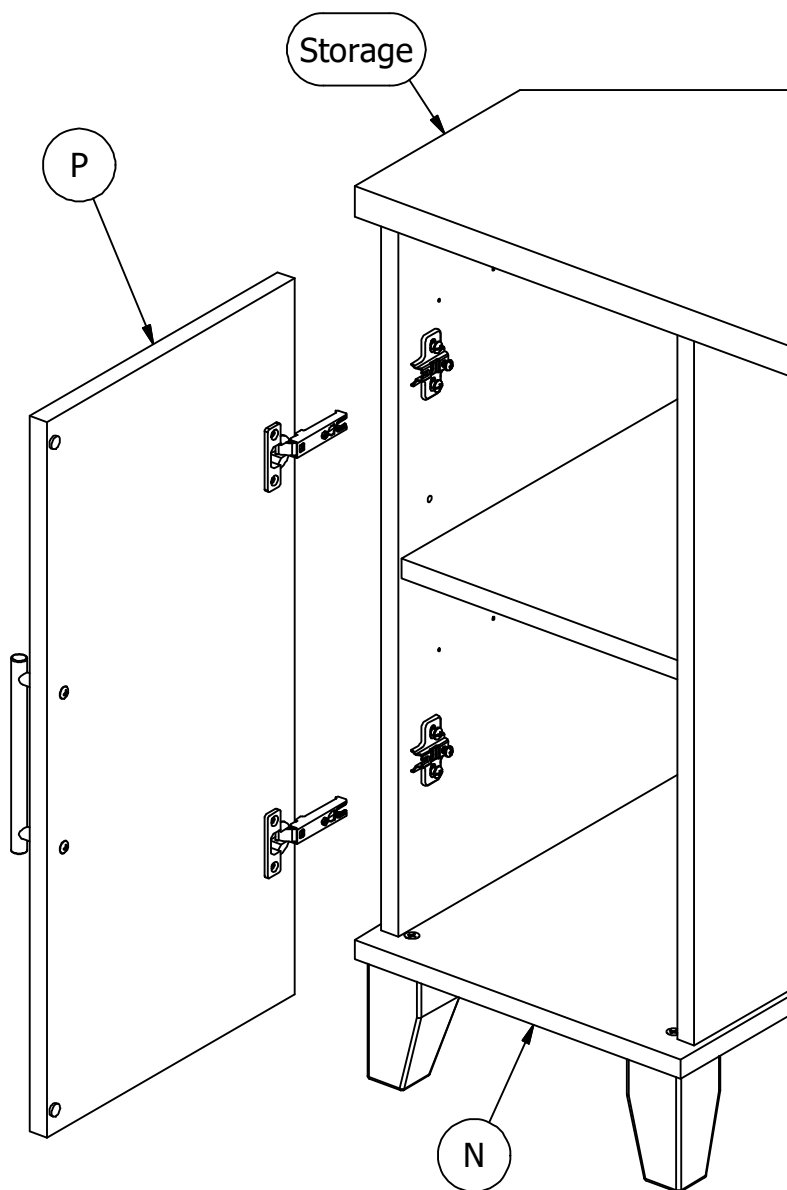
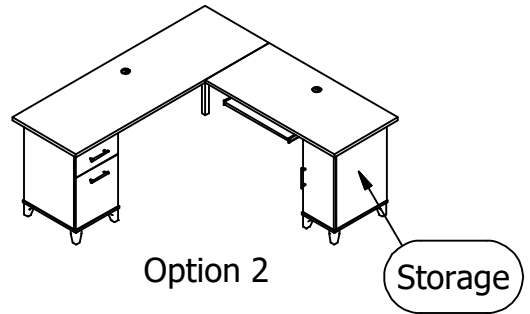
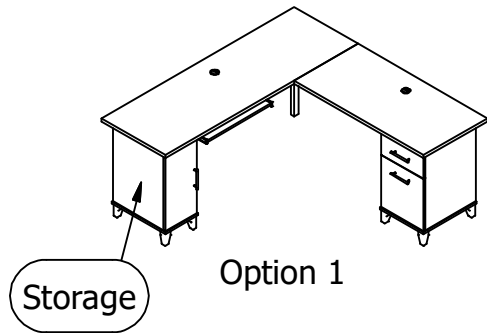
# STEP 50

# Assemble Adjustable Shelf



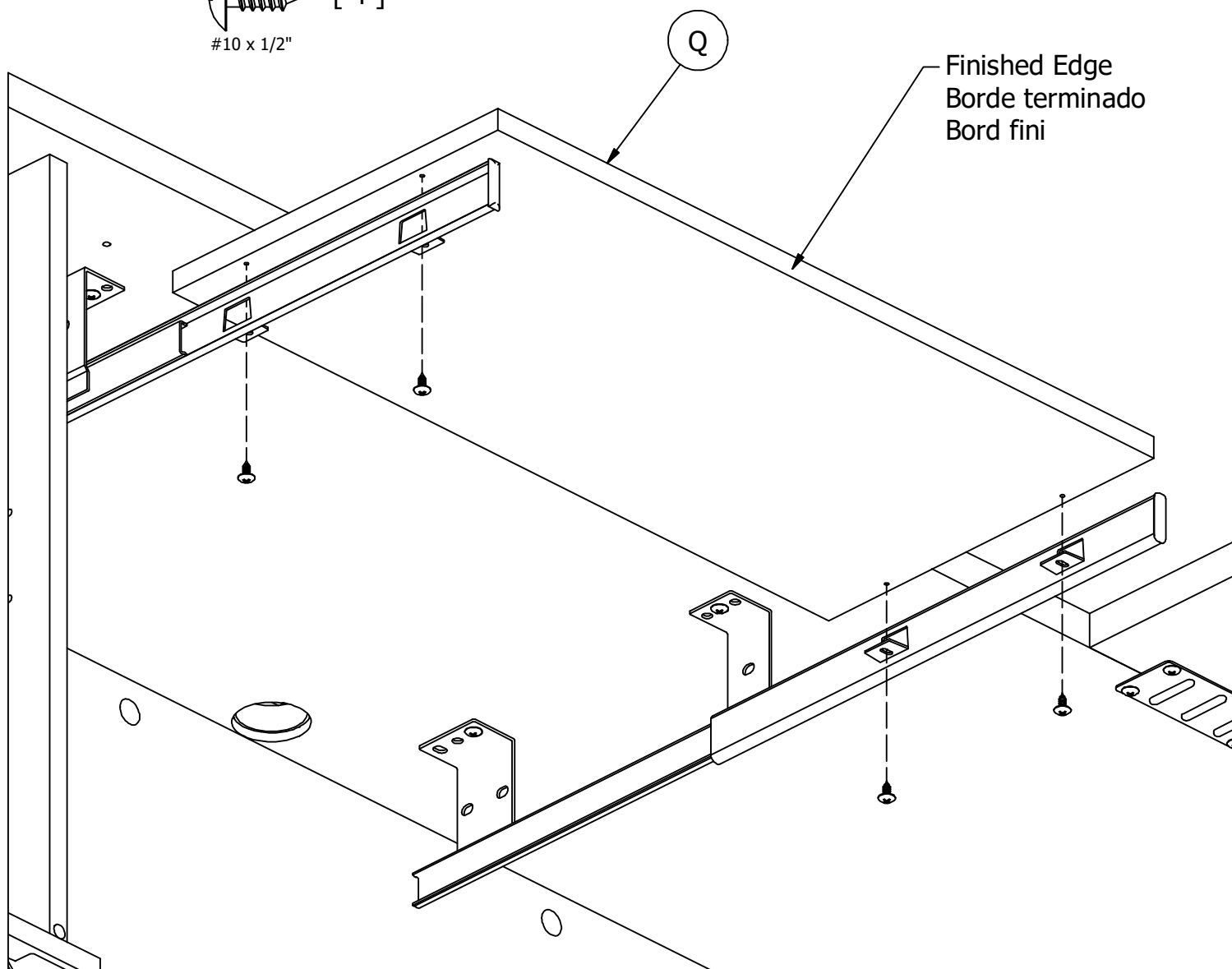
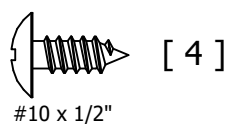
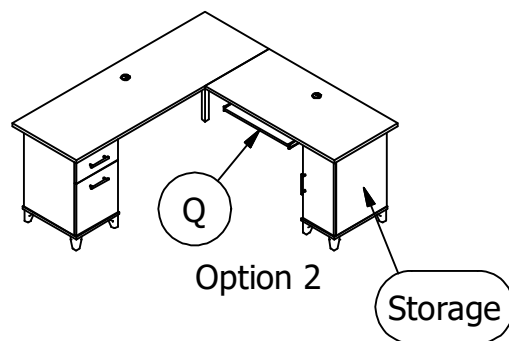
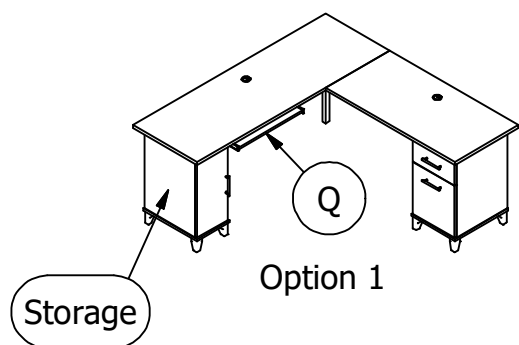
# STEP 51

# Assemble and Adjust Door



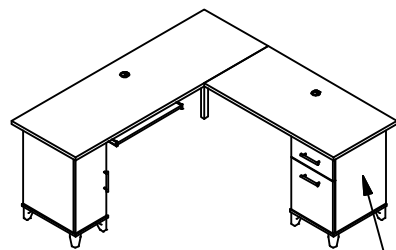
# STEP 52

# Assemble Keyboard Shelf



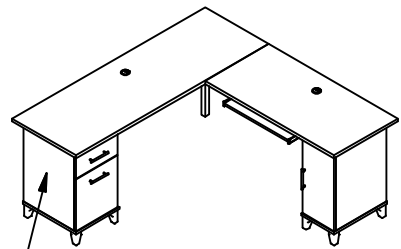
# STEP 53

# Insert Drawers



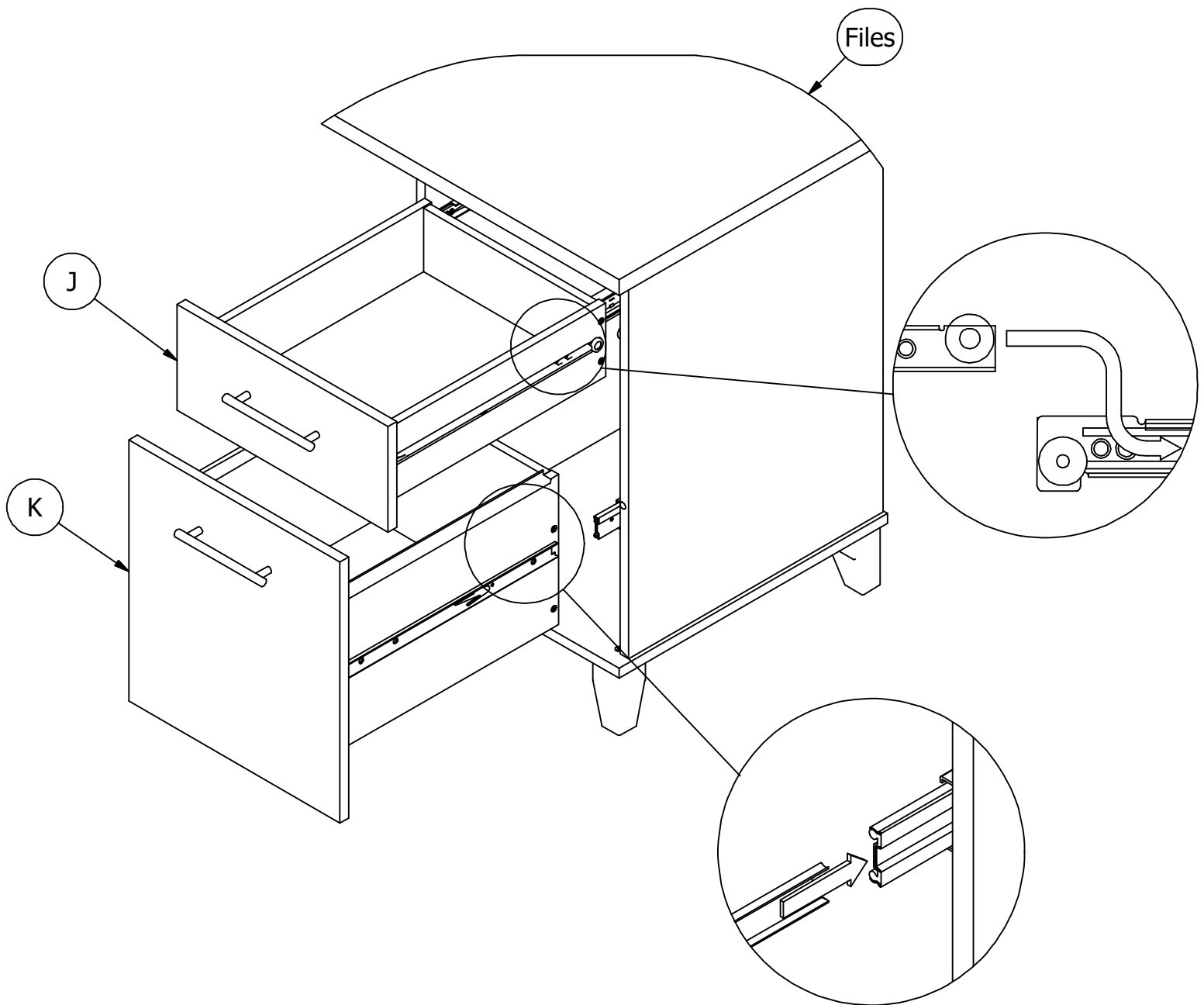
Option 1

Files



Option 2

Files

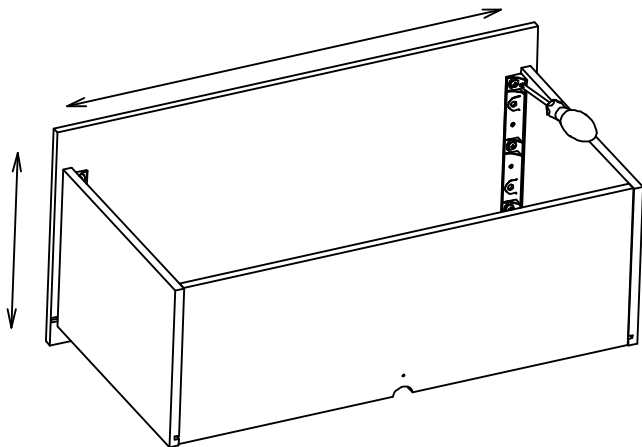
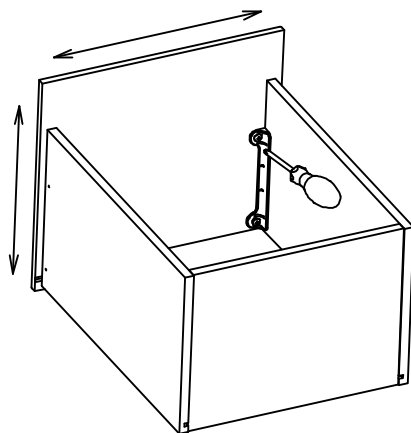
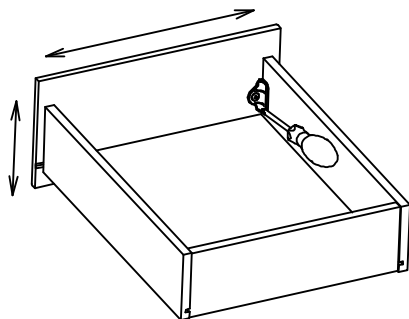
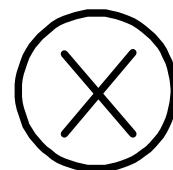
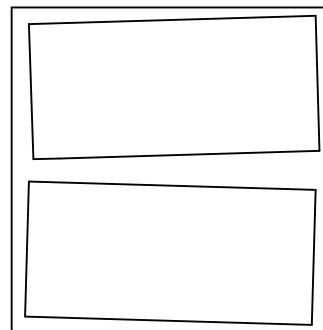
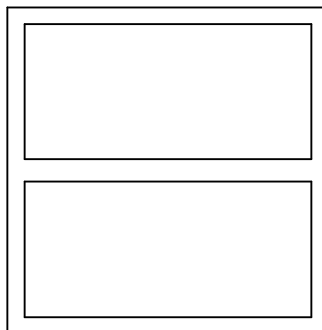


Files

J

K

DRAWER FRONT VIEW



REQUIRED TOOL: PHILLIPS SCREWDRIVER

HERRAMIENTA REQUERIDA: DESTORNILLADOR PHILLIPS  
 OUTIL REQUIS: TOURNEVIS CRUCIFORME



1. LOOSEN SCREWS.
2. ADJUST DRAWER FRONTS.
3. TIGHTEN SCREWS.

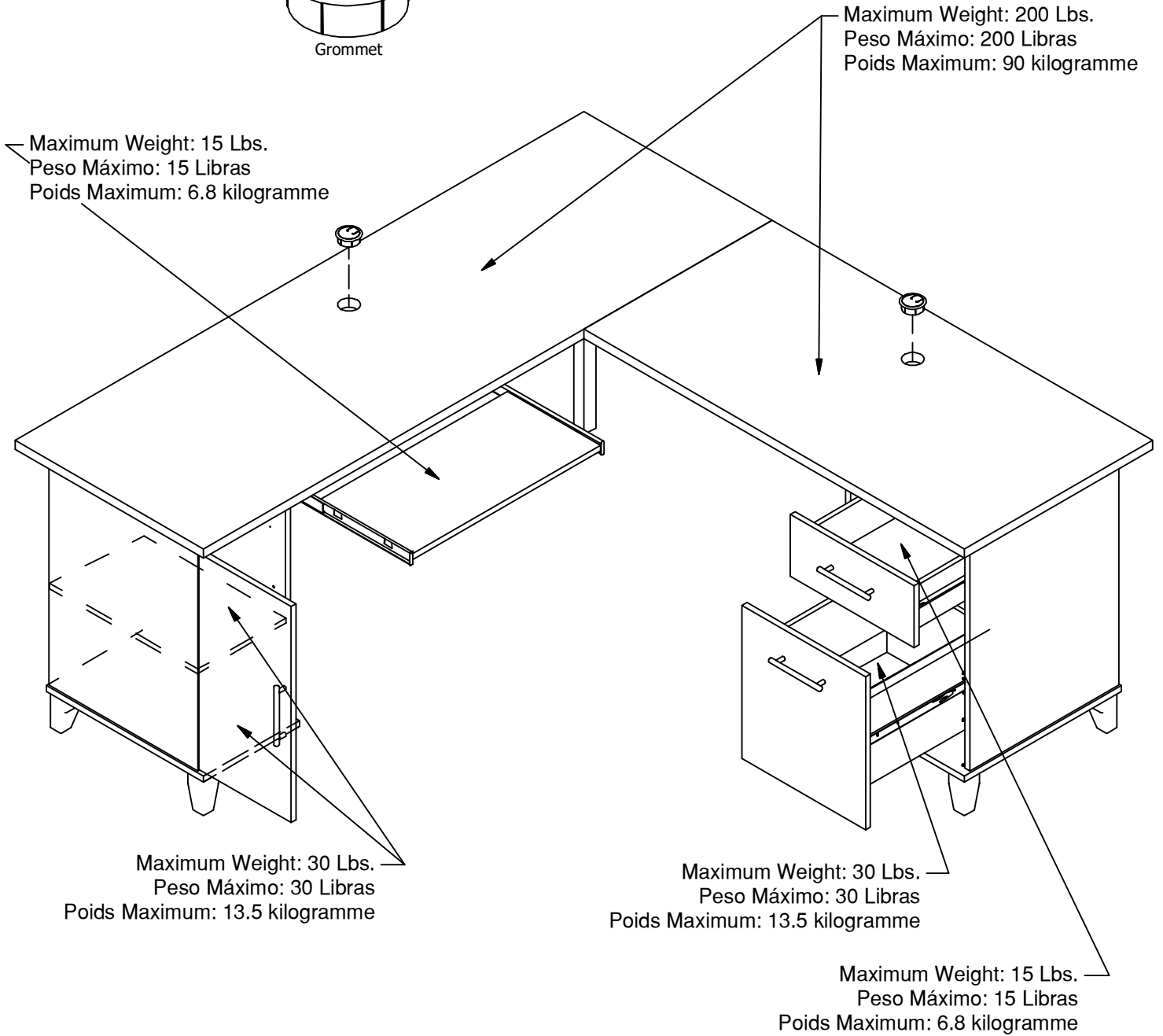
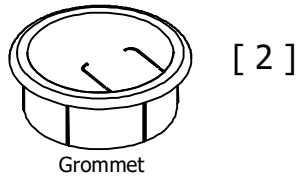
1. Afloje los tornillos
2. Ajustar frentes de cajón
3. Apriete los tornillos

1. Desserrer les vis
2. Ajuster les façades des tiroirs
3. Serrer les vis

# STEP 55

# Grommet Insert and Loading

Gently clean surfaces with a damp sponge eraser.



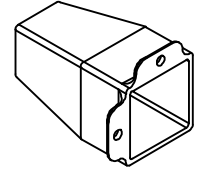
# PARTS LIST

A  
B  
C  
D  
E  
F  
G  
H  
J  
K  
L  
M

[ 1 ]  
[ 1 ]  
[ 1 ]  
[ 1 ]  
[ 1 ]  
[ 1 ]  
[ 1 ]  
[ 1 ]  
[ 1 ]  
[ 1 ]  
[ 1 ]  
[ 1 ]

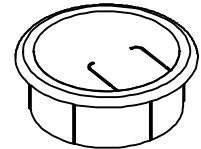
N  
O  
P  
Q  
R  
S  
T  
U  
V  
W  
X

[ 1 ]  
[ 1 ]  
[ 1 ]  
[ 1 ]  
[ 1 ]  
[ 1 ]  
[ 2 ]  
[ 1 ]  
[ 2 ]  
[ 1 ]  
[ 2 ]



Foot

[ 8 ]



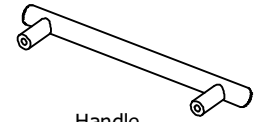
Grommet

[ 2 ]



Cover Cap

[ 28 ]



Handle

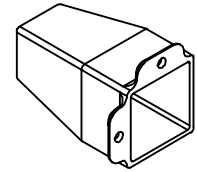
[ 3 ]

A  
B  
C  
D  
E  
F  
G  
H  
J  
K  
L  
M

[ 1 ]  
[ 1 ]  
[ 1 ]  
[ 1 ]  
[ 1 ]  
[ 1 ]  
[ 1 ]  
[ 1 ]  
[ 1 ]  
[ 1 ]  
[ 1 ]  
[ 1 ]  
[ 1 ]

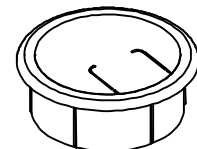
N  
O  
P  
Q  
R  
S  
T  
U  
V  
W  
X

[ 1 ]  
[ 1 ]  
[ 1 ]  
[ 1 ]  
[ 1 ]  
[ 1 ]  
[ 2 ]  
[ 1 ]  
[ 2 ]  
[ 1 ]  
[ 2 ]



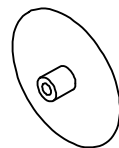
Foot

[ 8 ]



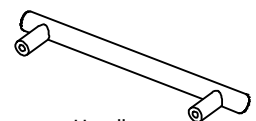
Grommet

[ 2 ]



Cover Cap

[ 28 ]



Handle

[ 3 ]

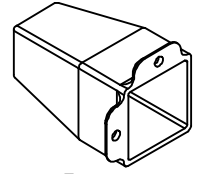
# PARTS LIST

A  
B  
C  
D  
E  
F  
G  
H  
J  
K  
L  
M

[ 1 ]  
[ 1 ]  
[ 1 ]  
[ 1 ]  
[ 1 ]  
[ 1 ]  
[ 1 ]  
[ 1 ]  
[ 1 ]  
[ 1 ]  
[ 1 ]  
[ 1 ]

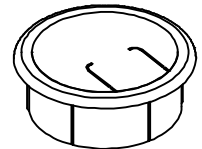
N  
O  
P  
Q  
R  
S  
T  
U  
V  
W  
X

[ 1 ]  
[ 1 ]  
[ 1 ]  
[ 1 ]  
[ 1 ]  
[ 1 ]  
[ 2 ]  
[ 1 ]  
[ 2 ]  
[ 1 ]  
[ 2 ]



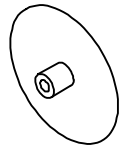
Foot

[ 8 ]



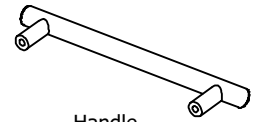
Grommet

[ 2 ]



Cover Cap

[ 28 ]



Handle

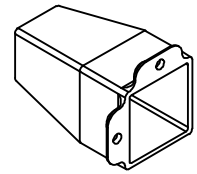
[ 3 ]

A  
B  
C  
D  
E  
F  
G  
H  
J  
K  
L  
M

[ 1 ]  
[ 1 ]  
[ 1 ]  
[ 1 ]  
[ 1 ]  
[ 1 ]  
[ 1 ]  
[ 1 ]  
[ 1 ]  
[ 1 ]  
[ 1 ]  
[ 1 ]

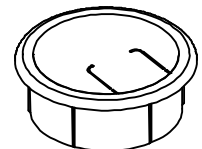
N  
O  
P  
Q  
R  
S  
T  
U  
V  
W  
X

[ 1 ]  
[ 1 ]  
[ 1 ]  
[ 1 ]  
[ 1 ]  
[ 1 ]  
[ 2 ]  
[ 1 ]  
[ 2 ]  
[ 1 ]  
[ 2 ]



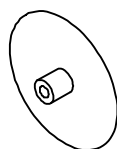
Foot

[ 8 ]



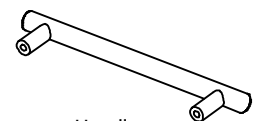
Grommet

[ 2 ]



Cover Cap

[ 28 ]



Handle

[ 3 ]

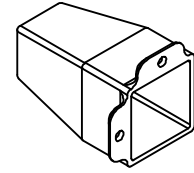
# PARTS LIST

A  
B  
C  
D  
E  
F  
G  
H  
J  
K  
L  
M

[ 1 ]  
[ 1 ]  
[ 1 ]  
[ 1 ]  
[ 1 ]  
[ 1 ]  
[ 1 ]  
[ 1 ]  
[ 1 ]  
[ 1 ]  
[ 1 ]  
[ 1 ]

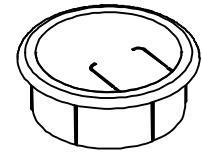
N  
O  
P  
Q  
R  
S  
T  
U  
V  
W  
X

[ 1 ]  
[ 1 ]  
[ 1 ]  
[ 1 ]  
[ 1 ]  
[ 2 ]  
[ 1 ]  
[ 2 ]  
[ 1 ]  
[ 2 ]



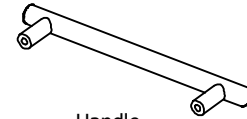
Foot

[ 8 ]



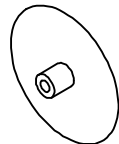
Grommet

[ 2 ]



Handle

[ 3 ]



Cover Cap

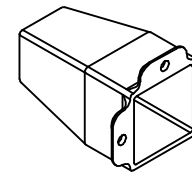
[ 28 ]

A  
B  
C  
D  
E  
F  
G  
H  
J  
K  
L  
M

[ 1 ]  
[ 1 ]  
[ 1 ]  
[ 1 ]  
[ 1 ]  
[ 1 ]  
[ 1 ]  
[ 1 ]  
[ 1 ]  
[ 1 ]  
[ 1 ]  
[ 1 ]

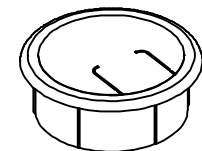
N  
O  
P  
Q  
R  
S  
T  
U  
V  
W  
X

[ 1 ]  
[ 1 ]  
[ 1 ]  
[ 1 ]  
[ 1 ]  
[ 1 ]  
[ 2 ]  
[ 1 ]  
[ 2 ]  
[ 1 ]  
[ 2 ]



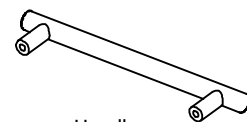
Foot

[ 8 ]



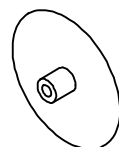
Grommet

[ 2 ]



Handle

[ 3 ]

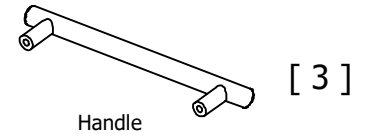
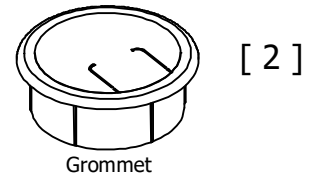
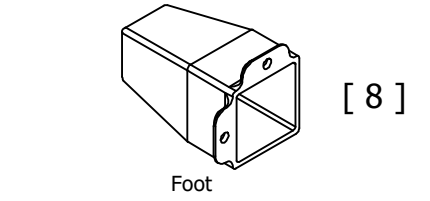
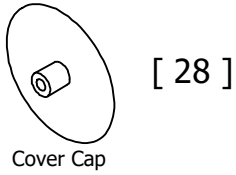


Cover Cap

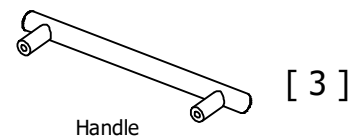
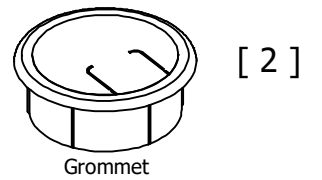
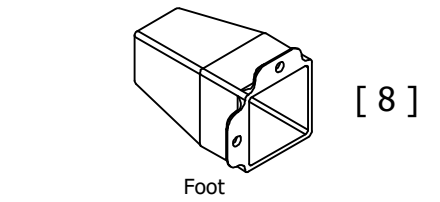
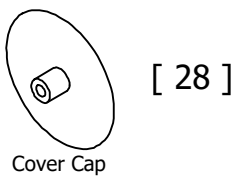
[ 28 ]

# PARTS LIST

A	[ 1 ]	N	[ 1 ]
B	[ 1 ]	O	[ 1 ]
C	[ 1 ]	P	[ 1 ]
D	[ 1 ]	Q	[ 1 ]
E	[ 1 ]	R	[ 1 ]
F	[ 1 ]	S	[ 1 ]
G	[ 1 ]	T	[ 2 ]
H	[ 1 ]	U	[ 1 ]
J	[ 1 ]	V	[ 2 ]
K	[ 1 ]	W	[ 1 ]
L	[ 1 ]	X	[ 2 ]
M	[ 1 ]		



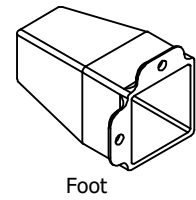
A	[ 1 ]	N	[ 1 ]
B	[ 1 ]	O	[ 1 ]
C	[ 1 ]	P	[ 1 ]
D	[ 1 ]	Q	[ 1 ]
E	[ 1 ]	R	[ 1 ]
F	[ 1 ]	S	[ 1 ]
G	[ 1 ]	T	[ 2 ]
H	[ 1 ]	U	[ 1 ]
J	[ 1 ]	V	[ 2 ]
K	[ 1 ]	W	[ 1 ]
L	[ 1 ]	X	[ 2 ]
M	[ 1 ]		



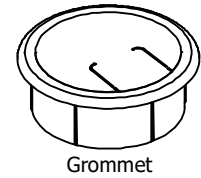
# PARTS LIST

A [1]  
 B [1]  
 C [1]  
 D [1]  
 E [1]  
 F [1]  
 G [1]  
 H [1]  
 J [1]  
 K [1]  
 L [1]  
 M [1]

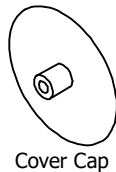
N [1]  
 O [1]  
 P [1]  
 Q [1]  
 R [1]  
 S [1]  
 T [2]  
 U [1]  
 V [2]  
 W [1]  
 X [2]



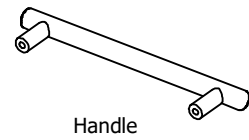
[ 8 ]



[ 2 ]



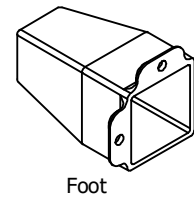
[ 28 ]



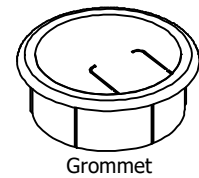
[ 3 ]

A [1]  
 B [1]  
 C [1]  
 D [1]  
 E [1]  
 F [1]  
 G [1]  
 H [1]  
 J [1]  
 K [1]  
 L [1]  
 M [1]

N [1]  
 O [1]  
 P [1]  
 Q [1]  
 R [1]  
 S [1]  
 T [2]  
 U [1]  
 V [2]  
 W [1]  
 X [2]



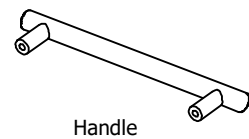
[ 8 ]



[ 2 ]



[ 28 ]



[ 3 ]