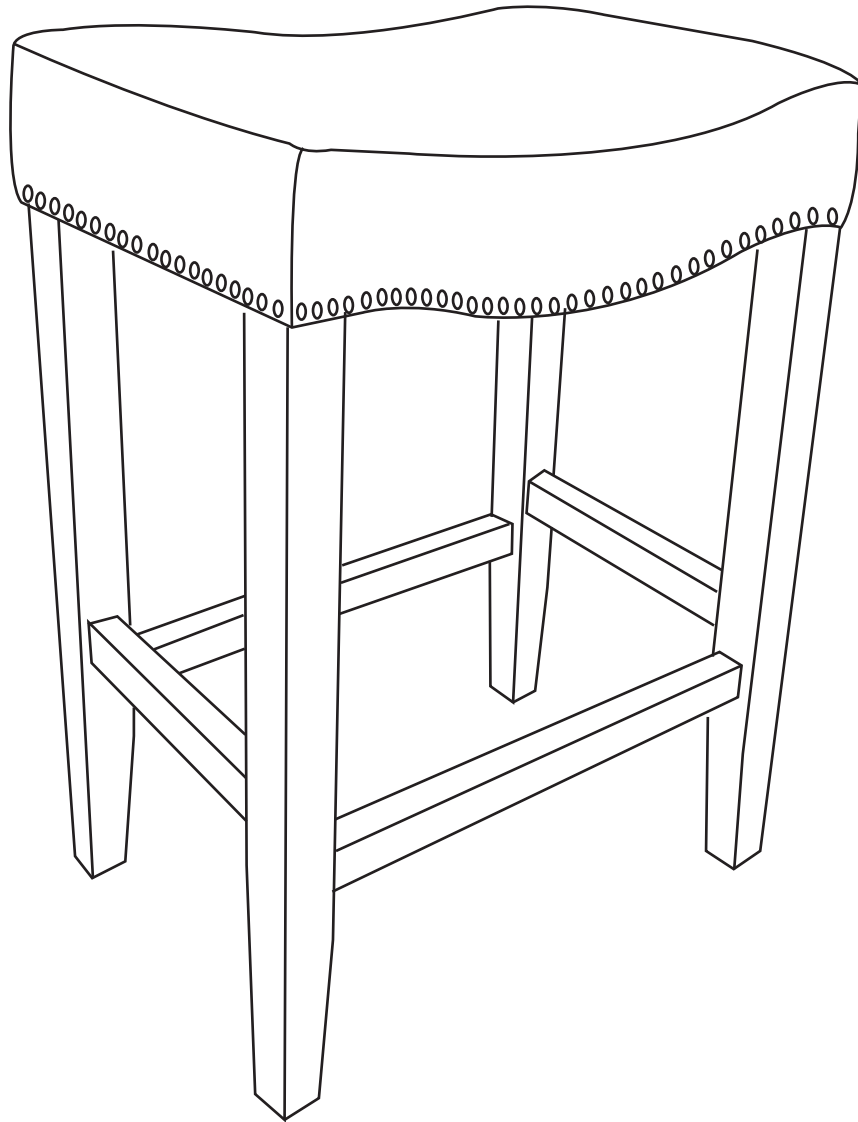


INSTRUCTION MANUAL



29" Upholstered Nail Head Counter Stool

! CARE & MAINTENANCE

- △ Clean the dust with a soft cloth
- △ Do not store in extremely wet environment.

HARDWARE

1 Flat washer



8PCS

2 Lock washer



8PCS

3 Allen Key



1PC

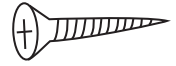
4 Screws



M8x60MM

8PCS

5 Self-tapping screw



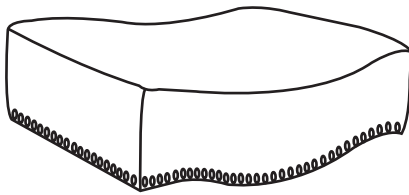
M4.5x45MM

8PCS

PARTS

A

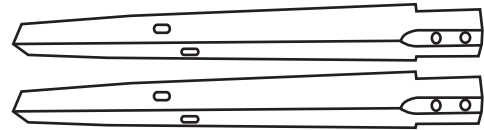
Seat



1PC

B

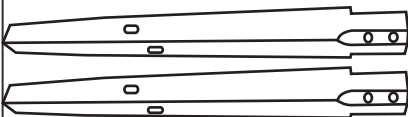
Legs No. 1



2PCS

C

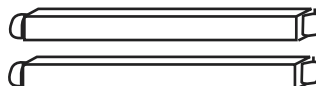
Legs No. 2



2PCS

D

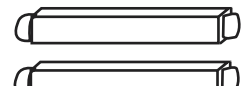
Longer Footrest



2PCS

E

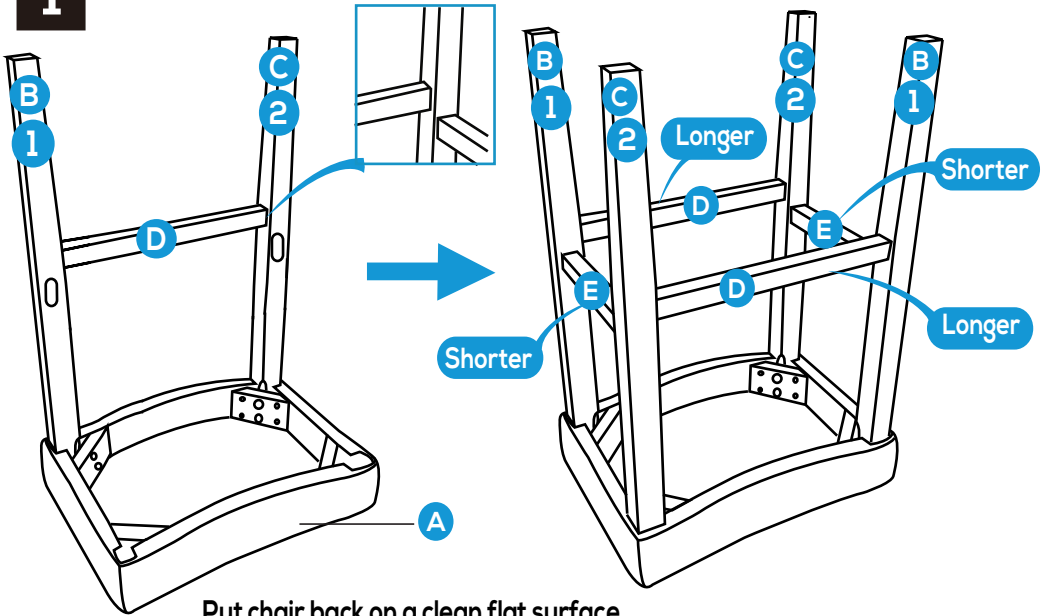
Shorter Footrest



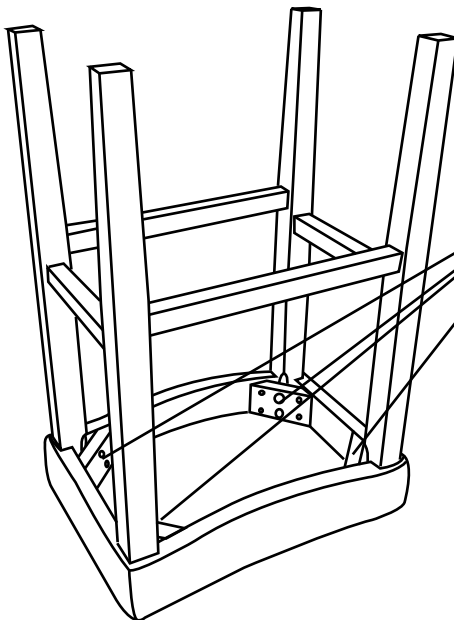
2PCS

PRODUCT ASSEMBLY

1



2



Align front legs in the seat pad as shown in the diagram.

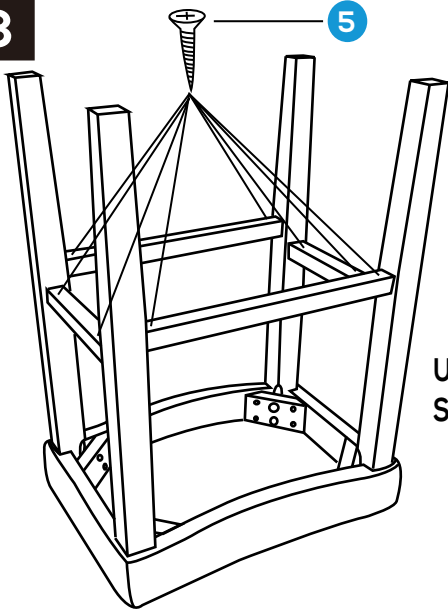
Using SCREW (4) with Washer (#1,2).

DO NOT FULLY TIGHTEN.

First **HAND** tighten then tightened using key (3) up-to 60-80% only at this stage.

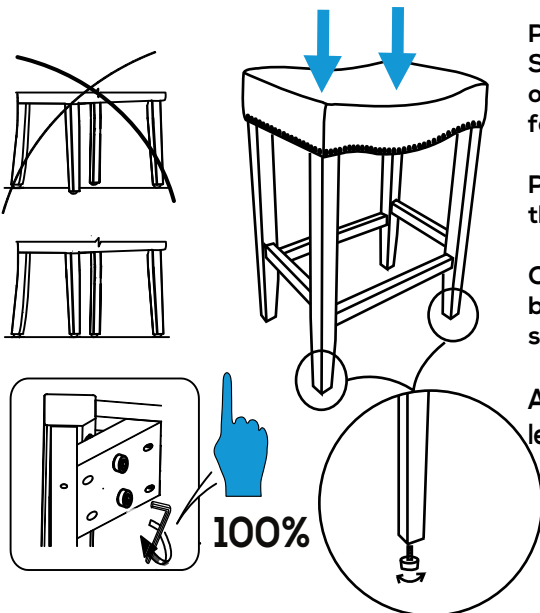
PRODUCT ASSEMBLY

3



Using your own screwdriver 100% lock
Self-tapping Screw (5) as shown in the diagram

4



Put chair in the upright position and
SIT ON THE CHAIR to press downwards
on the seat pad ensuring that all 4
feet touch the ground and chair is leveled.

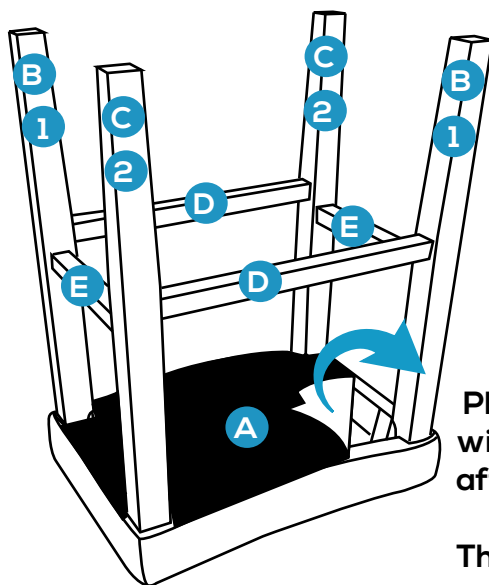
Proceed to tighten all screws making sure
the chair remains level when tightening.

Check that all screws are tight on a regular
basis to ensure chair remains level and
secure.

Also you can using adjustable feet to keep four
legs level.

PRODUCT ASSEMBLY

5



Please recheck all parts with correct position after assemble chair ,

Then close black fabric cover

6

