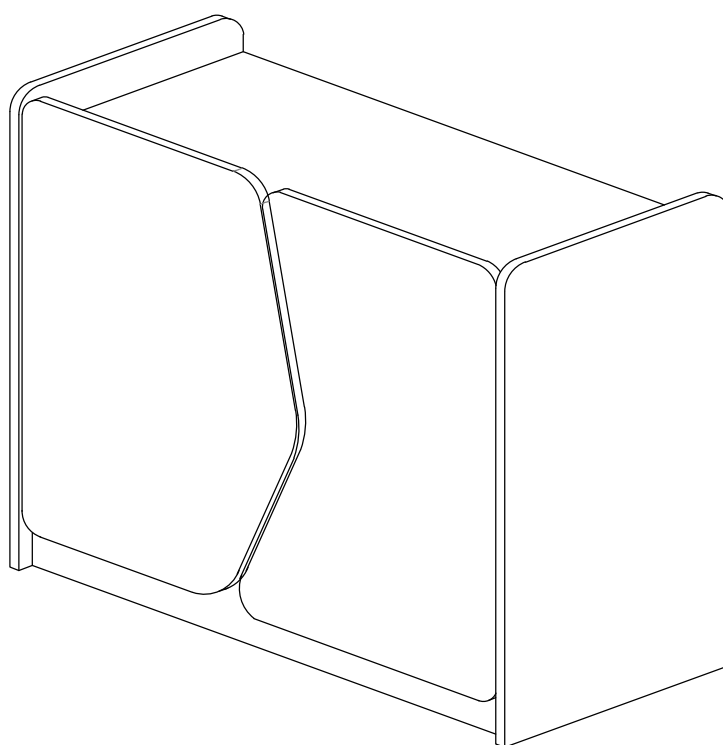


Sideboard Cabinet

SKU WHIF2815



ASSEMBLY INSTRUCTIONS



80 min. assembly

2 person

*The estimated assembly time may vary depending on the individual.

Hey, there

Now is assembly time!

Deeeeep breathe.... and again....
Tools ready,
Easy peasy!

Estimated



80 min. assembly
2 person

Tools Required

- Allen Wrench(included)
- Phillips screwdriver(not included)
- Hammer(not included)

important: *Cautious when you use power tools*

Need Help?

Call us at +1 909 548 6688
Email customerservice@luxenhome.com
Submit a ticket on www.luxenhome.com/help

Thank you for purchasing this LuxenHome product. This product has been manufactured with the highest standards of safety and quality.

PLEASE READ ALL INSTRUCTIONS CAREFULLY BEFORE ASSEMBLY.

Unpack all parts from the packaging inside the carton to ensure there are no missing or damaged parts. Lay out all the parts on a clean, flat, and soft surface to prevent scratches. Refer to the steps provided as assembling guide.

Do not attempt to assemble or use the product if any parts are missing or damaged.

REMINDERS

SAFE USAGE IS KEY

Your well-being is our top priority when you use our product. Please prioritize your safety by diligently following the assembly guidelines and inspecting the product carefully both when it arrives and before each use.

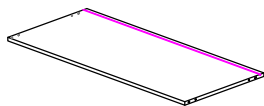
Please be aware that LuxenHome and Winsome House, Inc. cannot be held liable for any injuries or fatalities that occur due to not adhering to the provided instructions or misuse of the product.

DO NOT MODIFY

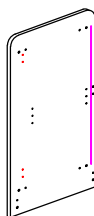
Our products undergo rigorous testing to ensure they meet established safety standards before being released for sale. Altering the product in any way can lead to serious safety concerns, for which LuxenHome cannot assume responsibility.

What's in the box

Parts



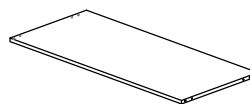
① X 1
Bottom panel



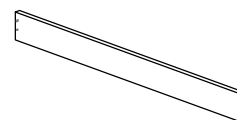
② X 1
Side panel - L



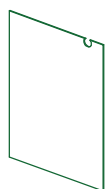
③ X 1
Side panel - R



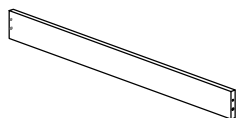
④ X 1
Top panel



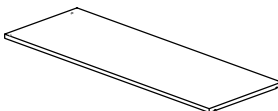
⑤ X 1
Back support



⑥ X 2
Back panel



⑦ X 2
Leg panel



⑧ X 1
Shelf panel



⑨ X 1
Door panel - L



⑩ X 1
Door panel - R

What's in the box

Hardware & Accessory



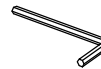
A1 X 14 (+2)
Minifix cam



A2 X 14 (+2)
Minifix bolt



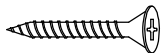
A3 X 14 (+2)
Minifix cap



A5 X 1
Allen key



B X 14 (+2)
Wood dowel
M8 x 25mm



C X 2
Cb screw
M4 x 38mm



D X 36 (+4)
Cb screw
M3.5 x 16mm



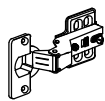
E X 4
PVC nail
with pin 5/8



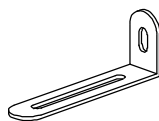
F X 4
Shelf support



G X 4
PVC corner
L bracket



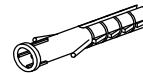
H X 4
Soft close
hinges 7/8



I1 X 2
Metal L bracket
(long hole)



I2 X 2
Washer
- small

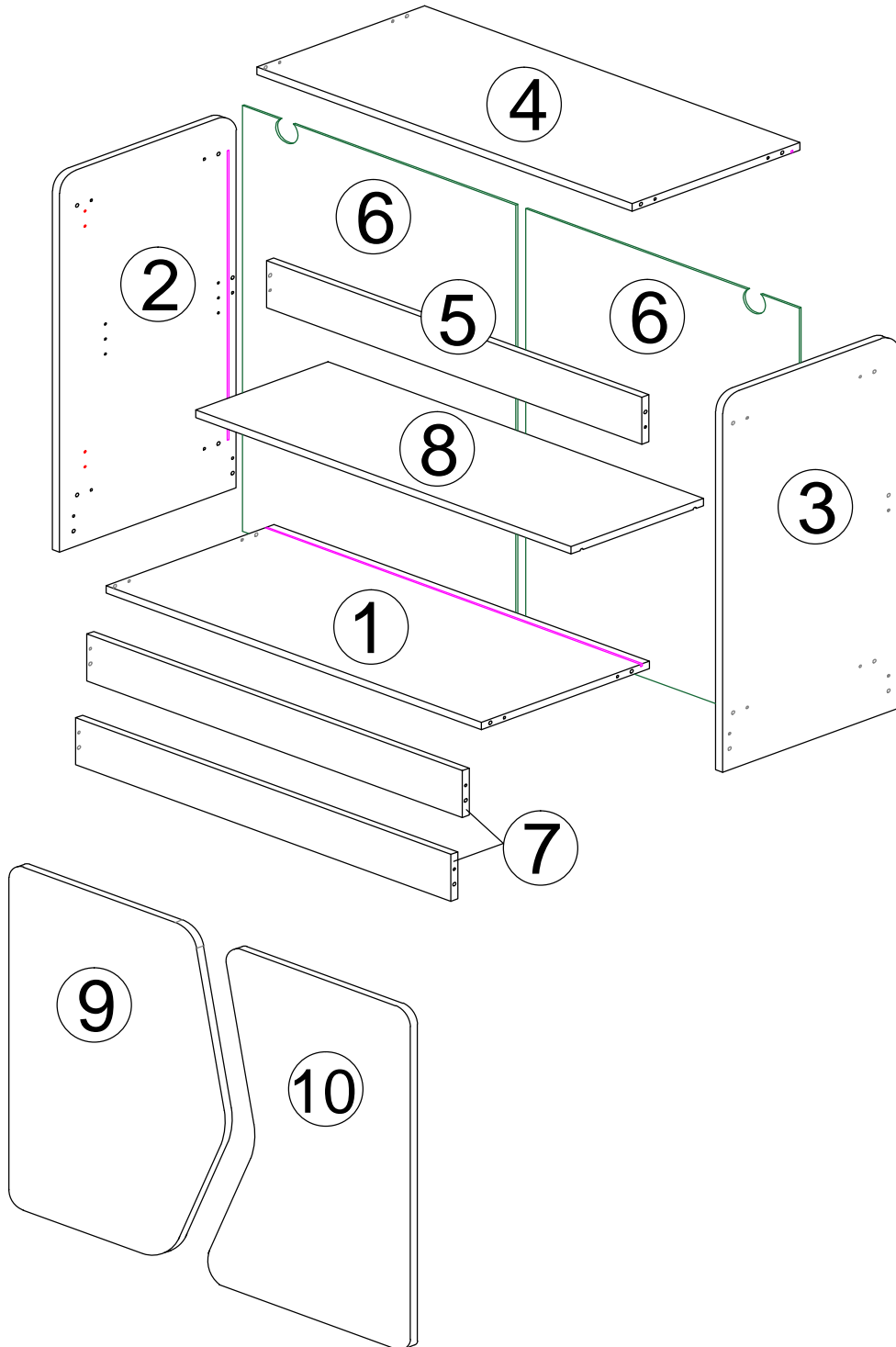


I3 X 2
Plastic wall
anchor



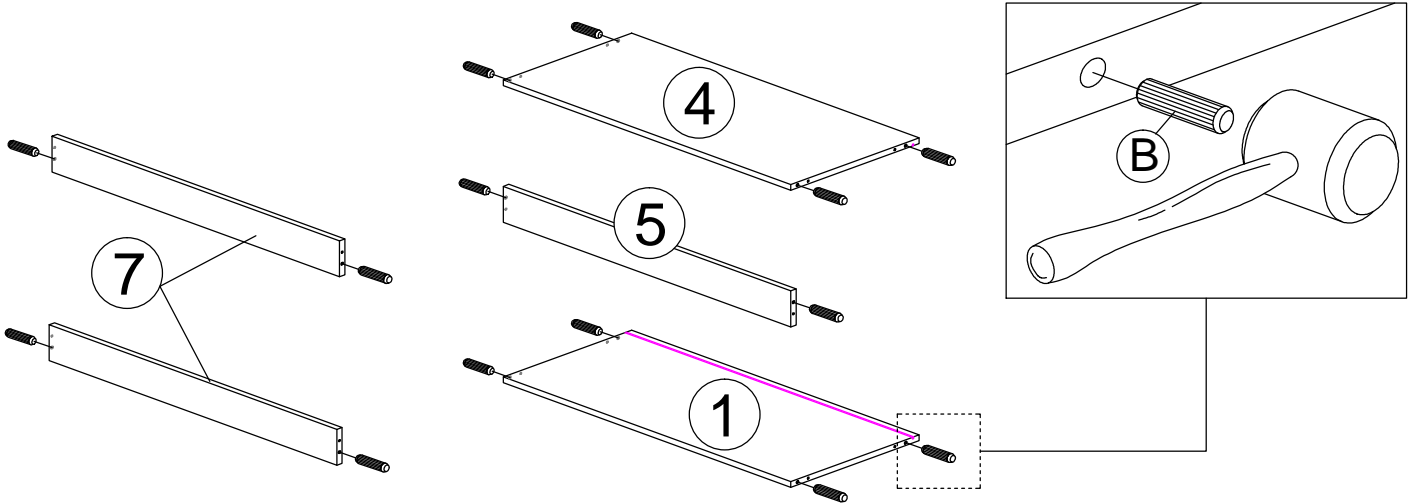
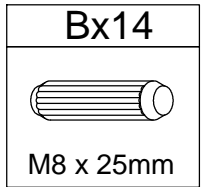
M X 1
3mm PVH
- 617mm

Assembly



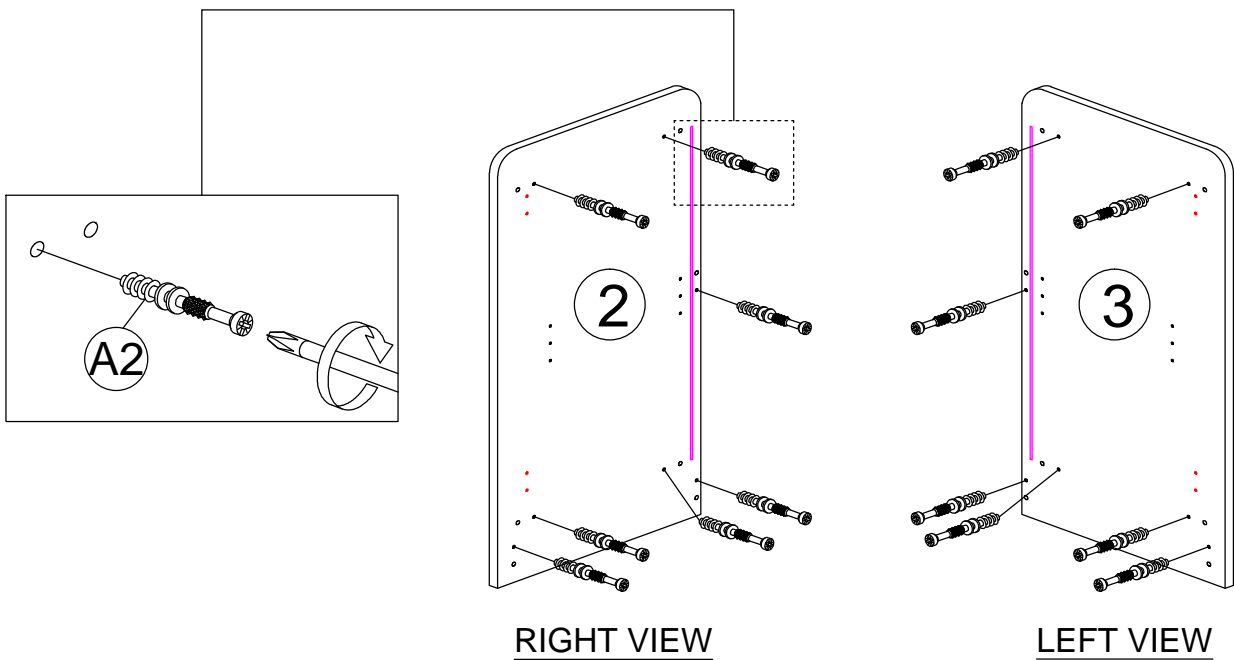
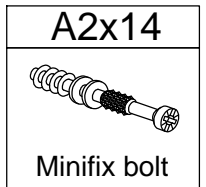
Step 1

Insert hardware (B) into panel (1,4,5 & 7).




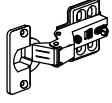
Step 2

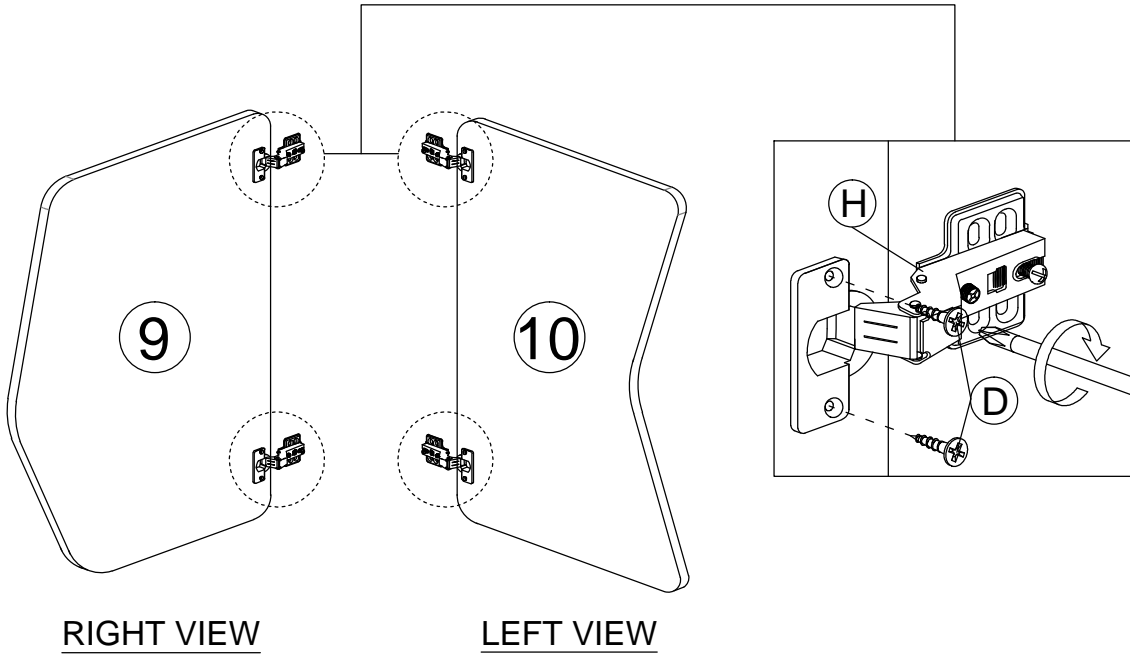
Install and tighten hardware (A2) onto panel (2 & 3).



Step 3


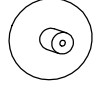
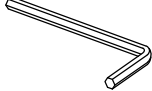
Connect the hardware (H) to panel (9 & 10) by using hardware (D).

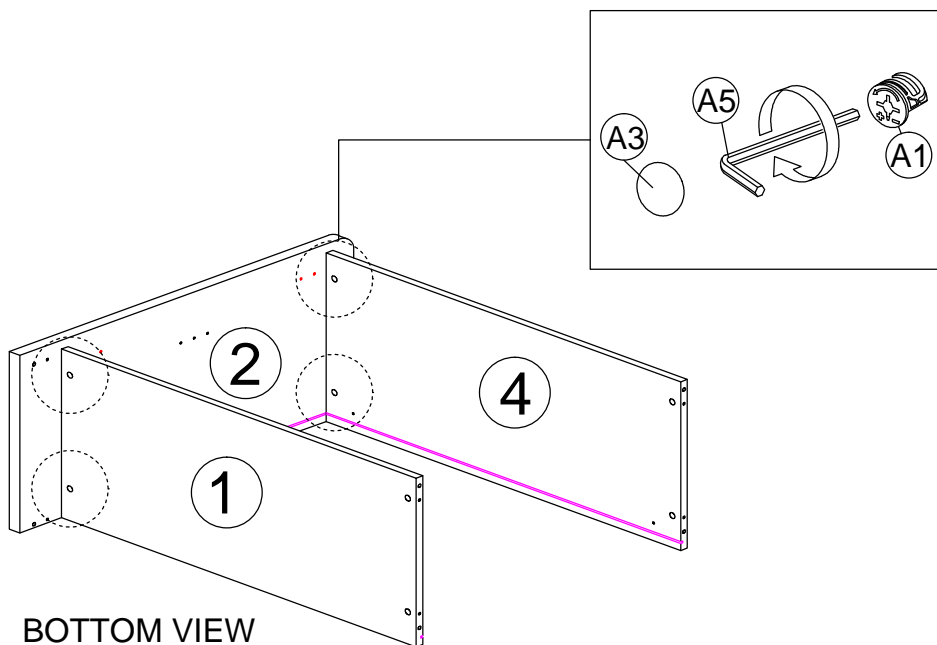
Dx8

M3.5 x 16mm
Hx4




Step 4

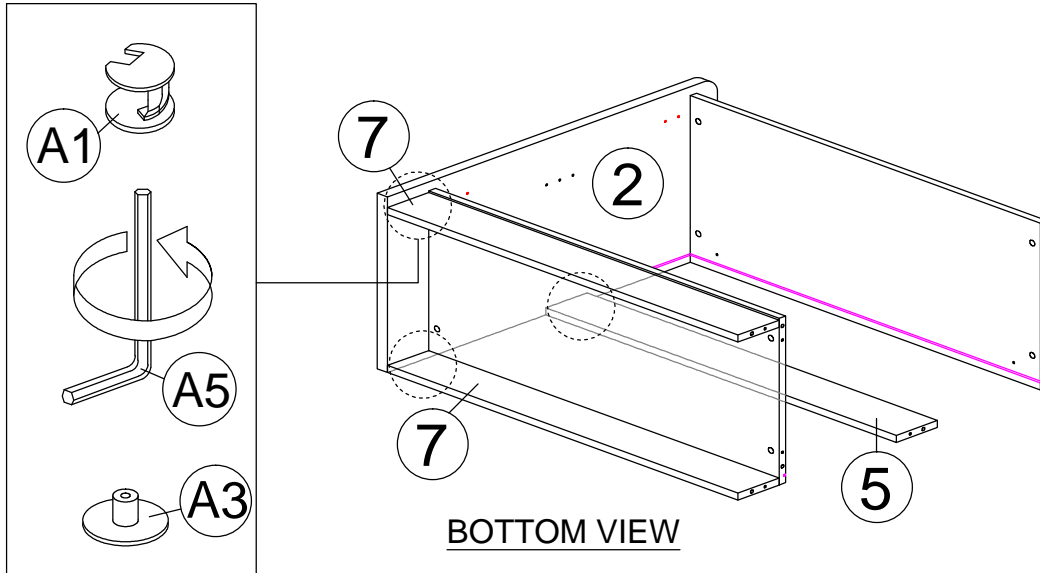
Assembled panel (1 & 4), Connect the panel to panel (2) using hardware (A1 & A5). Then, applied (A3) to all (A1).



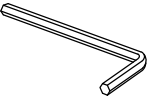
A1x4

A3x4

A5x1




Step 5

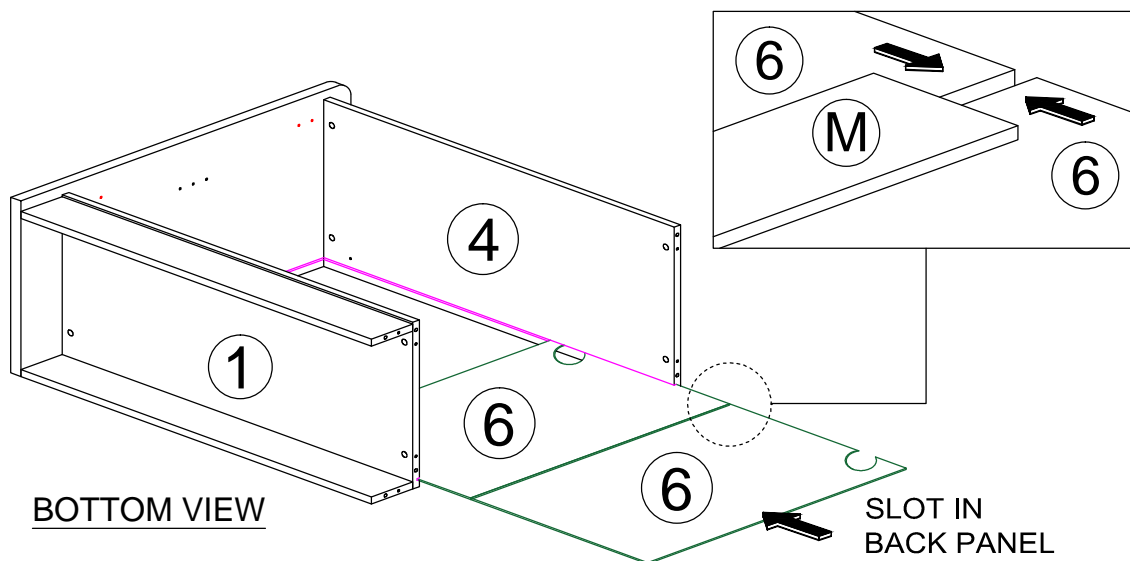
Assembled panel (5 & 7), Connect the panel to panel (2) using hardware (A1 & A5). Then, applied (A3) to all (A1).

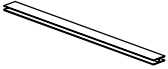


A1x3

A3x3

A5x1


Step 6

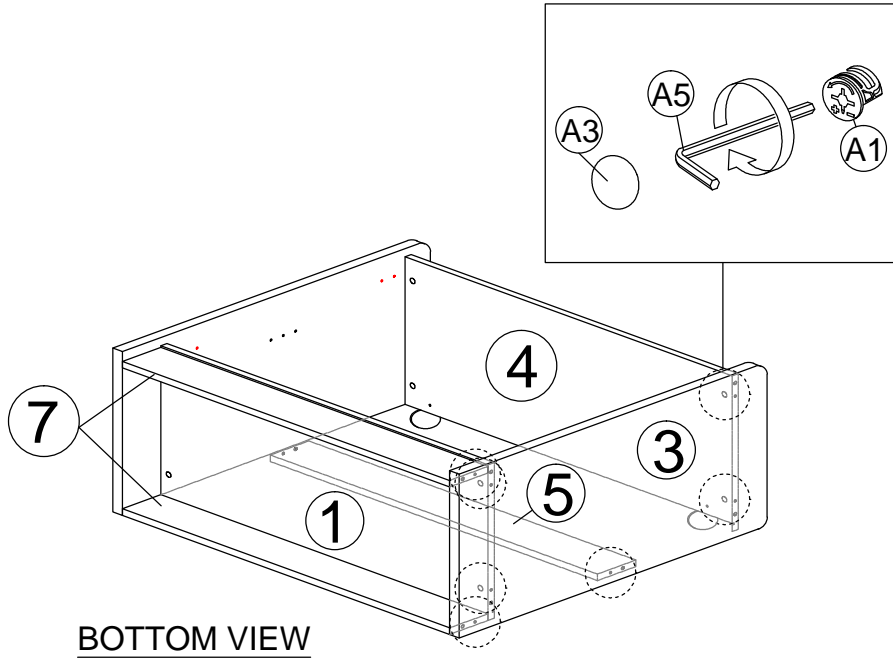
Insert back panel (6) together to hardware PVH (M). Then insert the back panel (6) between the panels (1 & 4).



Mx1


Step 7

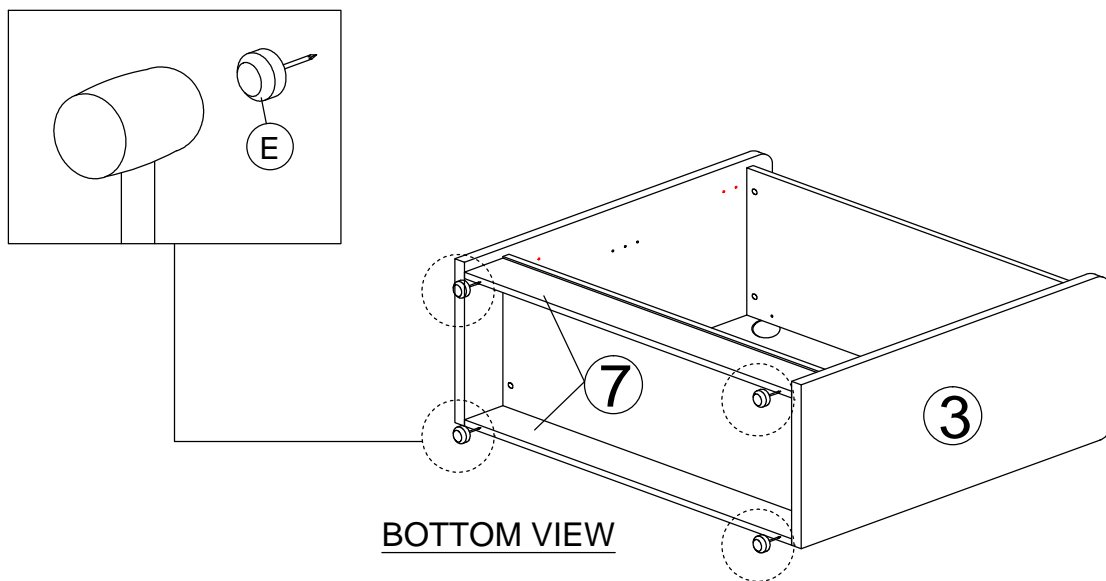
Connect the panel (3) to panel (1,4,5 & 7) using hardware (A1 & A5). Then, applied (A3) to all (A1).



A1x7
A3x7
A5x1

Step 8


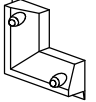
Hit hardware (E) onto bottom side of panel (7).



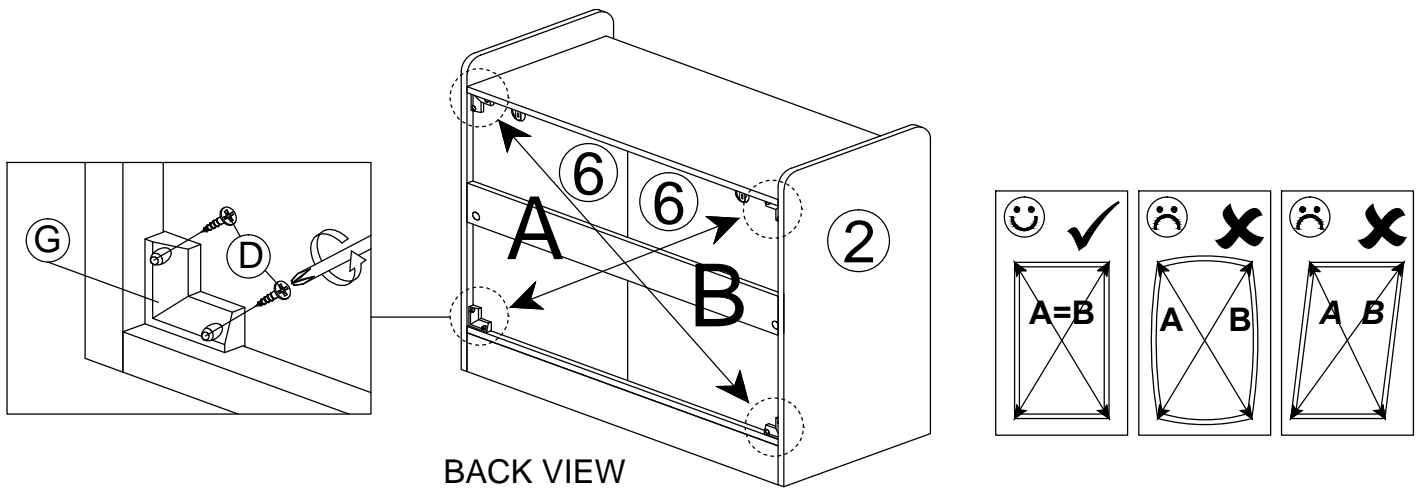
Ex4

Step 9

Please make sure the left and right doors are the same level and the backboard is right Angle before installing hardware (G), **MUST** install hardware (G) to strengthen product stability.

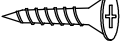
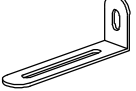
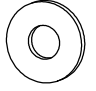
Dx8

M3.5 x 16mm
Gx4


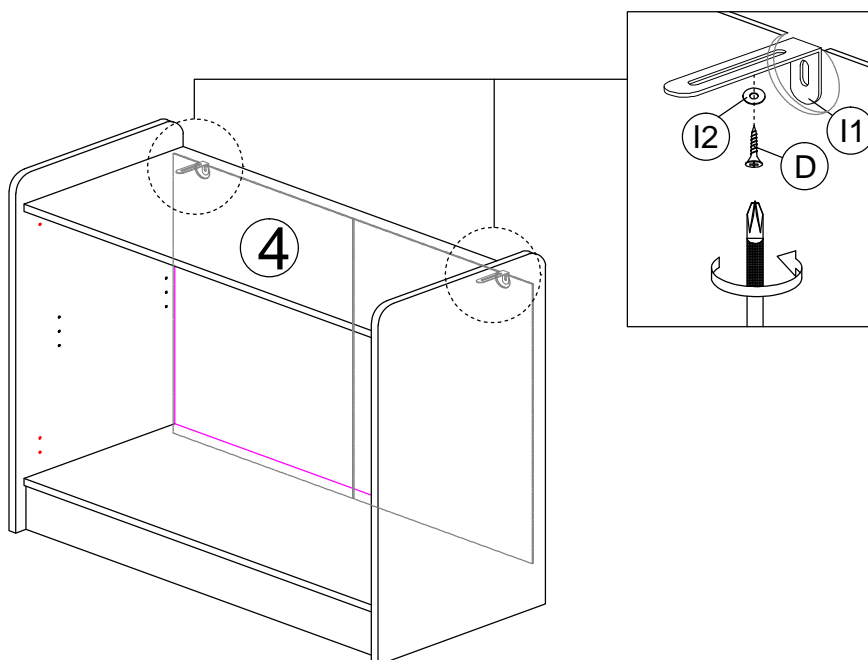
Screw in hardware (G) onto back panel (6) by using hardware (D).



Step 10

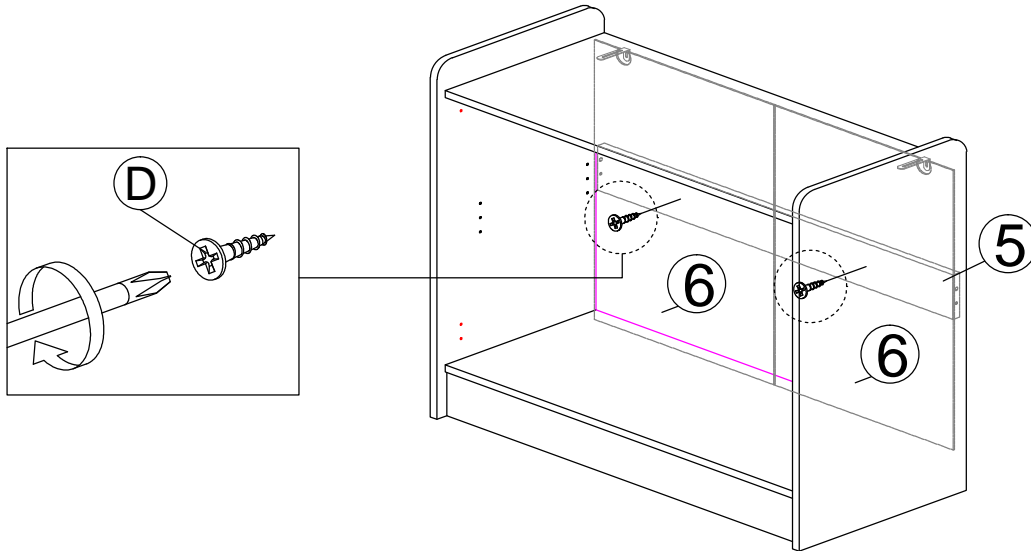
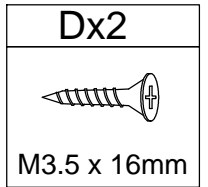
Screw in hardware (I1 & I2) onto bottom side of panel (4) by using hardware (D).

Dx2

M3.5 x 16mm
I1x2

I2x2




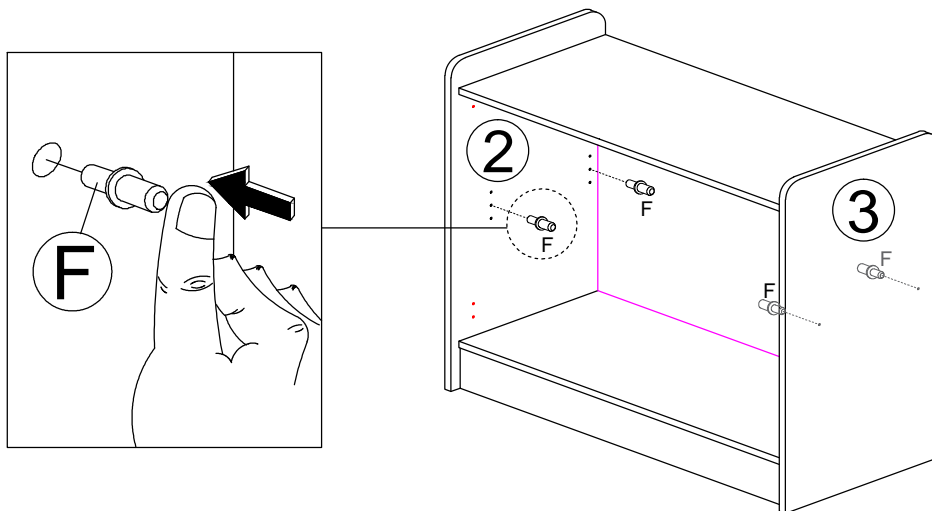
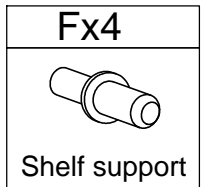
Step 11

Screw in hardware (D) to back panel (6) and tighten it.



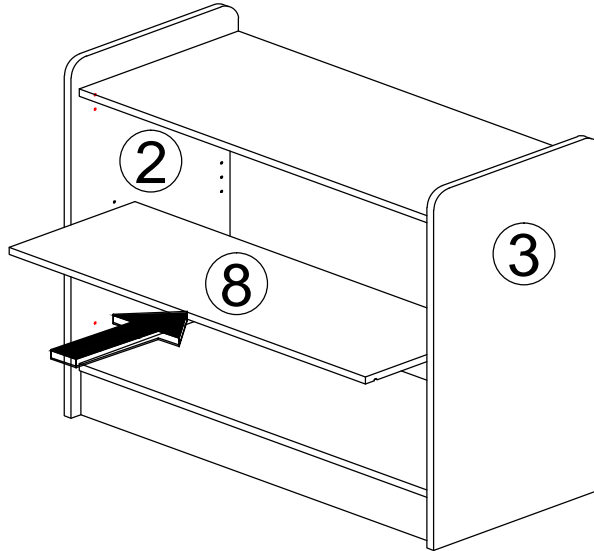
Step 12

Insert hardware (F) onto panel (2 & 3).



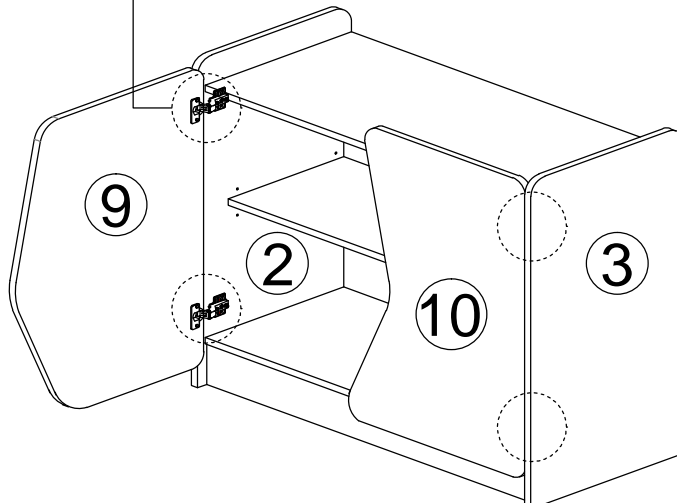
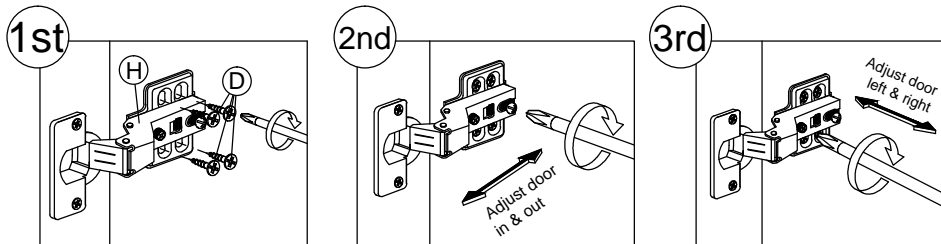
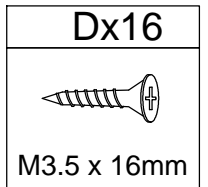
Step 13

Slide in panel (8) into between panel (2 & 3).




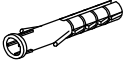
Step 14

Connect panel (9 & 10) to panel (2 & 3) with hardware (H) by using hardware (D).

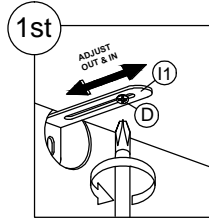


Step 15

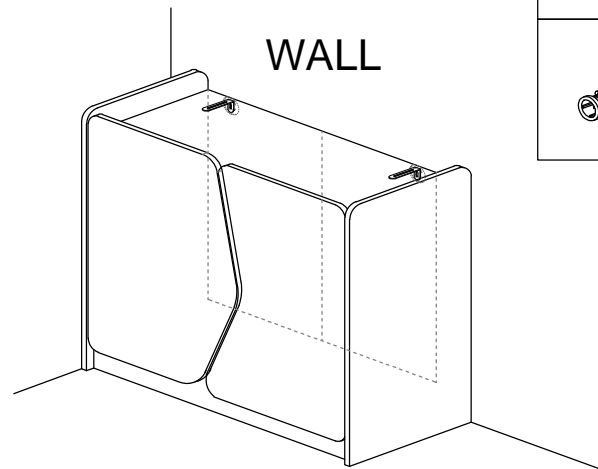
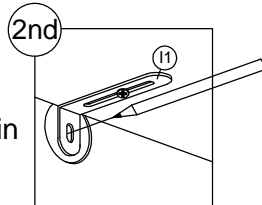
Please install the anti-tip safety following the steps below in order from top to bottom. After assembling the unit place it against the wall where it will be permanently positioned.

Cx2

M4 x 38mm
I3x2


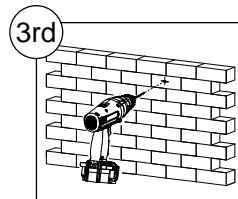
Adjust hardware (I1) to rear wall of the cabinet.



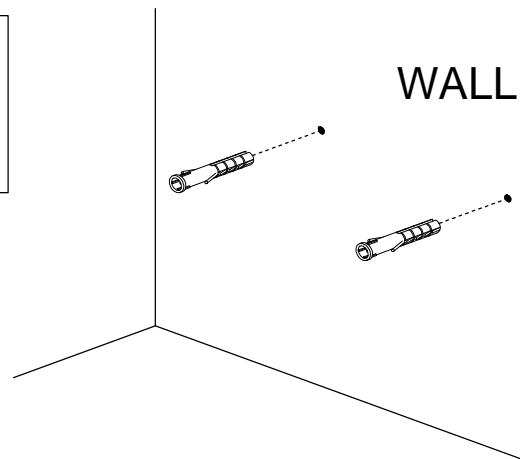
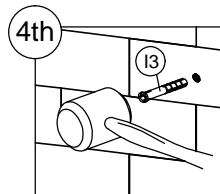
Use a pencil to mark through the screw hole in the hardware (I1).



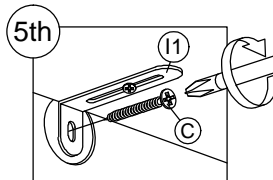
Move the cabinet away from the wall and drill a hole to the wall at the marked position.



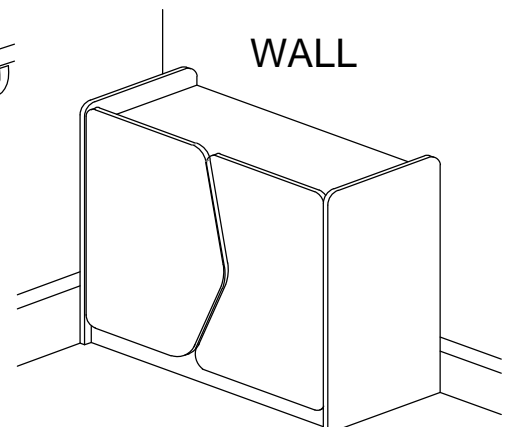
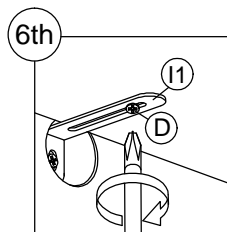
Fit the hardware (I3) into the drilled hole.



Using the hardware (C), secure the horizontal arm of the brackets to the backside of the cabinet onto the wall.

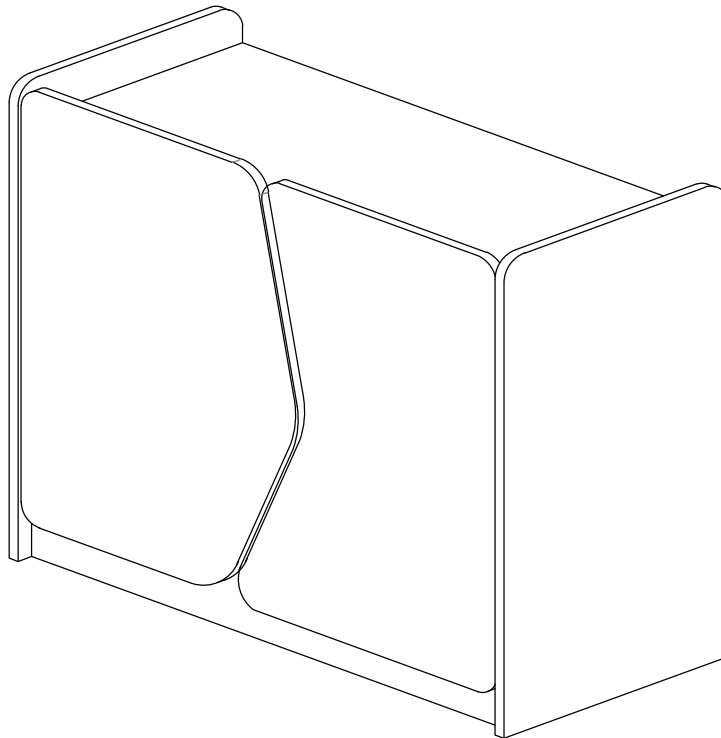


Tighten back the hardware (D) located on the bottom side of the cabinet top panel as shown in diagram.



VOILA!

Now enjoy.



Warning

DO NOT stand or sit on the cabinet this may damage the product and cause serious bodily injury.

Something not right?

We are always here to help.

We make mistakes like every human does.

Though we always strive to provide the best possible products at competitive prices and the best service in the industry, it's not possible to completely eliminate mistakes. If you experience any dissatisfaction, feel free to contact us immediately. Our in-house customer care team will respond ASAP.



customerservice@luxenhome.com
Get response within 24 hrs



909.548.6688
Mon-Fri 9am-5pm PST/PDT



www.luxenhome.com/help
Submit a ticket on our website

Things to do to expedite the process

- Have your order# ready
- Take photos/videos to help us better identify the issues
- DO NOT throw away the packaging

Happy with our product?

Leave us a review

It really help us as a small business

- Find the product you purchased on our website (tip: search by SKU) and leave us a review.
- Alternatively, you can always return to the marketplace where you purchased it and leave a review there.

Share with others

Our customers look for REAL stuff



- Follow us on IG @luxen.home
- Share your #liveluxen moments



**Please save this manual
for future reference.**