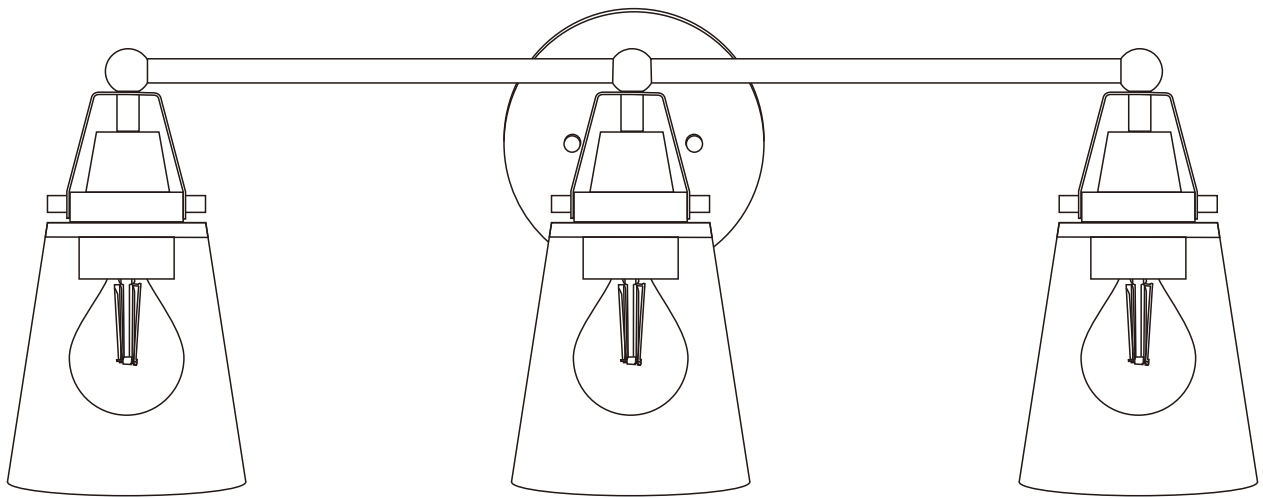


USE AND CARE GUIDE



———— WALL LAMP ————

Pre-Installation

PACKAGE CONTENTS



NOTE: Hardware not shown to actual size.

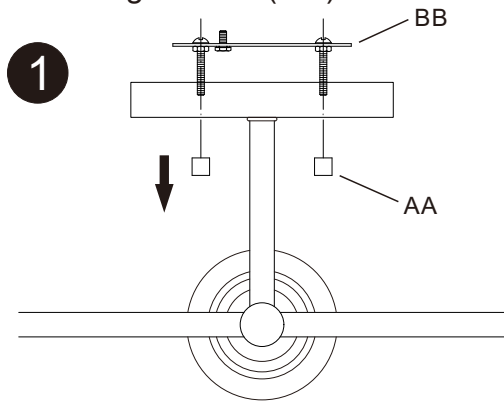
				<p>CC</p> <p>X2</p>	<p>DD</p> <p>X3</p>	
A	Lamp holder	1	B	Lampshade	3	Parts

Installing the Light

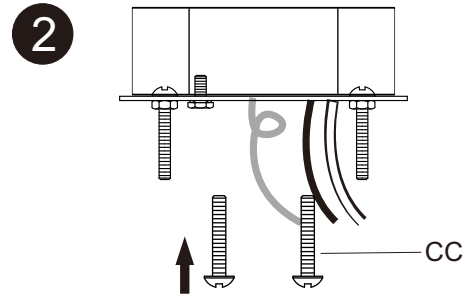


WARNING: To avoid possible electrical shock, turn the electricity off at the main fuse box before wiring. If you feel you do not have enough electrical wiring knowledge or experience, contact a licensed electrician.

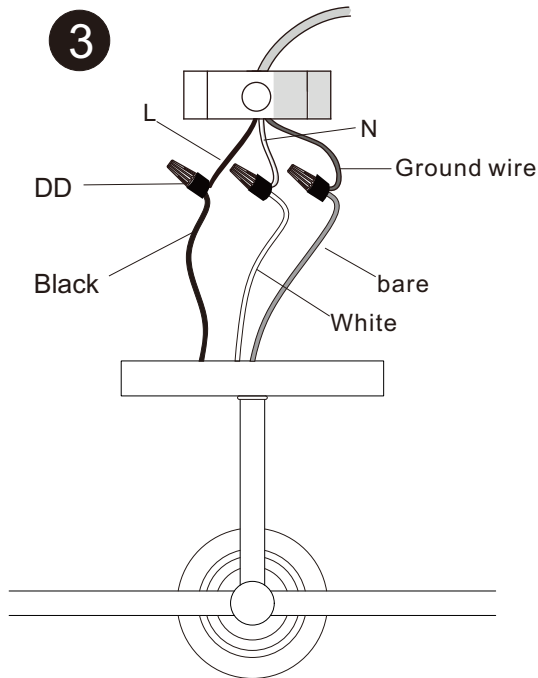
- Remove the hanging plate (BB) by rotating the nut (AA) on the lamp holder.



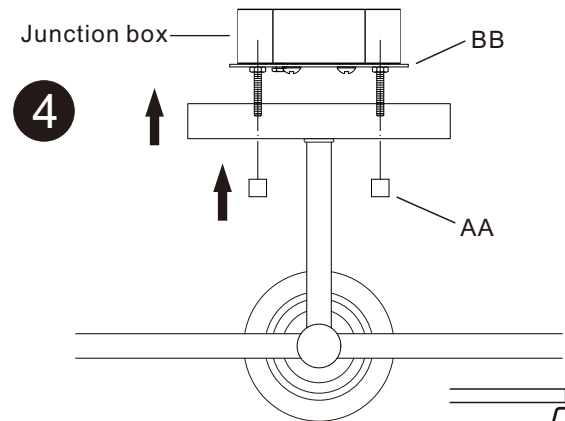
- Use screws (CC) to fix the hanging board to the junction box and extend the wires of the junction box outside the box.



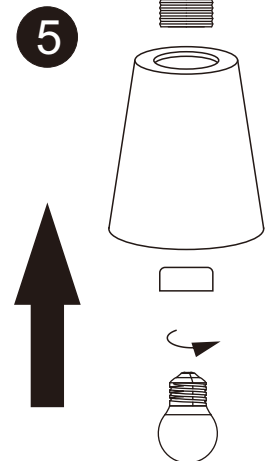
- Connect the wires using wiring nuts (DD) as shown.
- Use electrical tape to secure each wiring nut (DD).



- Install the lamp onto the hanging board (BB) using nuts (AA).



- Install the lampshade and bulb as shown. (Light bulbs need to be purchased by oneself.)



Tips

- For daily cleaning, you can use a damp cloth to wipe the surface without using corrosive chemicals.
- Electrical products must be discarded in an environmentally friendly area.