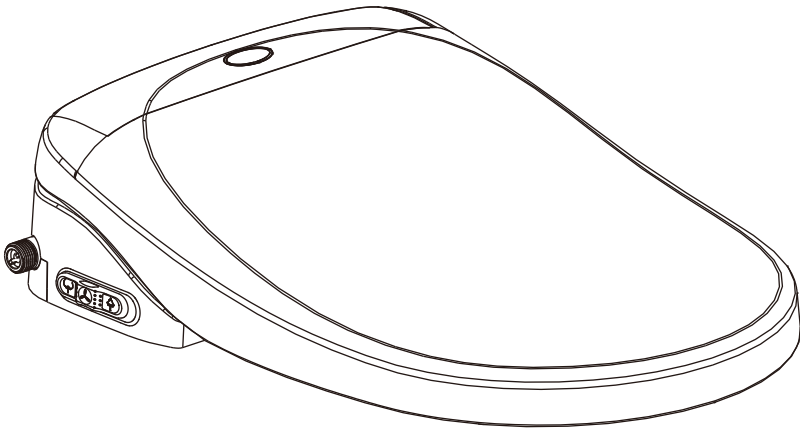

BS05-INSV1

INSTALLATION GUIDE

Electric Bidet Seat With Remote



DELUXE **DL** LIVING

Note: Before installation, please spread a soft mat on the ground to prevent damage to product and flooring.

CONTENTS

WARNING / ATTENTION	1-3
UNIT & PARTS	4-6
SPECIFICATION	7-8
INSTALLATION	9-11
FUNCTIONS & SETTINGS	12-15
MAINTENANCE	16-18
TROUBLESHOOTING	19-20
WARRANTY	21

SAFETY INFORMATION

This unit was manufactured for household use only. Read all operating instructions before installation.

NOTES:

- This product should be installed according to this manual.
- Please read this manual carefully and install properly.
- Please save this manual and place at an easily accessible location.
- Do not attempt to service this appliance yourself. Doing so could void the warranty.

IMPORTANT SAFEGUARDS

- When using electrical products, basic electrical safety precautions should always be followed.

READ ALL INSTRUCTIONS BEFORE USING

- For use with 110V 60Hz: Power supply must be a 15 Amp GFCI outlet.
- The electrical cord must be connected to a GFCI outlet.
- The GFCI outlet should be 1ft. above the floor.
- Install only in well-ventilated areas to avoid excess humidity.
- Do not install in narrow toilet stalls or in shower stalls.
- Install only where direct contact with water is minimized.
- Do not install near any heat source.

 **WARNING**

Important Information WARNING: Risk of electric shock. Connect only to a properly-grounded dedicated circuit protected by a Class A Ground-Fault Circuit-Interrupter (GFCI)*. Do not remove the grounding pin or use a grounding adapter.

WARNING: Risk of electric shock. Do not immerse or flush the product with water.

CAUTION: Risk of product damage. Do not install this product in a location exposed to excessive moisture where condensation might form on the product surface. Provide adequate ventilation when bathing to avoid damage to the electronic components due to high humidity levels.

CAUTION: Risk of product damage. Do not supply electrical power to the unit until the plumbing installation work has been completed, as it may cause the product to malfunction.

CAUTION: Risk of property or product damage. Pushing or pulling on the water connection may cause water leakage.

NOTE: If the supply cord is damaged, it must be replaced by the manufacturer, its service agent, or similarly qualified agent in order to avoid a hazard.

NOTE: This product contains thermal protectors that may trip during storage or transportation in warm conditions, causing the unit not to operate. Allow the unit to cool to room temperature before installation or operation.

Follow all local plumbing and electrical codes.

Grounding Instructions:

This product should be grounded. In the event of an electrical short circuit, grounding reduces the risk of electric shock by providing an escape wire for the electric current. This product is equipped with a cord having a grounding wire with a grounding plug. The plug must be plugged into an electrical outlet that is properly installed and grounded.

DANGER: Risk of electric shock. Improper use of the grounding plug can result in a risk of electric shock.

If repair or replacement of the cord or plug is necessary, do not connect the grounding wire to either flat blade terminal. The wire with insulation having an outer surface that is green with or without yellow stripes is the grounding wire.

Check with a qualified electrician or service personnel if the grounding instructions are not completely understood, or if in doubt whether the product is properly grounded.

This product is factory equipped with a specific electric cord and plug to permit connection to a proper electric circuit. Make sure that the product is connected to an outlet having the same configuration as the plug. No adapter should be used with this product. Do not modify the plug provided — if it will not fit the outlet, have the proper outlet installed by a qualified electrician. If the product must be reconnected for use on a different type of electric circuit, the connection should be made by qualified service personnel.

1 WARNING / ATTENTION

ATTENTION

Do not use the "high" or "medium" range of seat temperature, warm air/wind temperature for a long period of time. Otherwise, there will be the risk of burns if used for a long time.

During use, keep the skin close to the sensing area of the seat, otherwise the product will stop cleaning or warm air drying.

It can be difficult for children to touch the sensing area.

Do not urinate on the nozzle of the washer. Otherwise it creates dirt and causes clogging.

Please use the new hose assembly that comes with this product. The old one cannot be reused if it is equipped with other appliances connected to the water source, please replace them as well.

Otherwise, it is easy to cause water leakage and property loss.

When there is sudden power failure, please unplug the power plug and turn off the Angle valve to prevent leakage. Otherwise, it is easy to cause water leakage and property loss.

Please avoid direct sunlight. Please do not keep heating equipment near this product. Otherwise it may cause discoloration of the product.

In order to avoid the danger caused by the wrong resetting of the thermal circuit breaker, do not supply power through external switching devices, such as timers or circuits connected to regular on-off or off-off by common components.

Be sure to turn off the water supply Angle valve when removing strainer. Tighten the strainer firmly when installing it. Otherwise, it is easy to cause water leakage.

When it is not used for a long time, such as a business trip or travel, please be sure to remove the power plug, turn off the water supply valve, and drain the internal water.

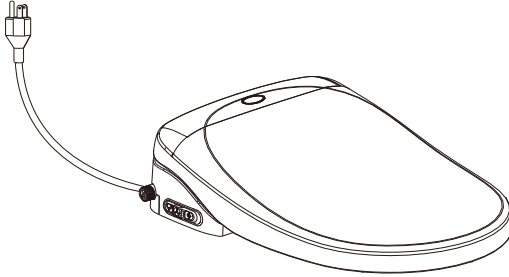
Otherwise, damage caused by frozen internal water can lead to fire and water leakage.

During the cold winter months, when products are transported long distances or stored for a long time, the remaining water in the products may freeze. To prevent damage caused by freezing, please take anti-freezing measures. Otherwise, damage caused by frozen internal water can lead to fire and water leakage.

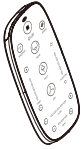
In the same room where this product is installed, a water stop valve shall be installed at a convenient position to cut off the inlet water of this product, without the help of tools, in case of emergency. Otherwise, unexpected failure of the product may lead to water leakage and property loss.

2 UNIT & PARTS

SMART TOILET SEAT



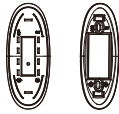
REMOTE CONTROL



REMOTE EXPANSION SCREW GROUP (EACH 2pcs)



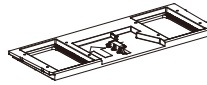
REMOTE CONTROL HOLDER



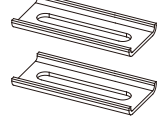
DOUBLE-FACED ADHESIVE TAPE



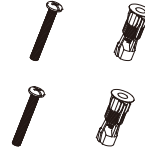
FAST-INSTALL BASEBOARD



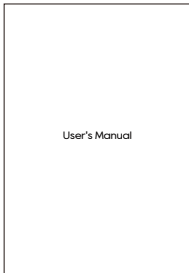
ADJUSTABLE SLIDING VANE (2pcs)



EXPANSION SCREW COMPONENT (EACH 2pcs)



USER'S MANUAL



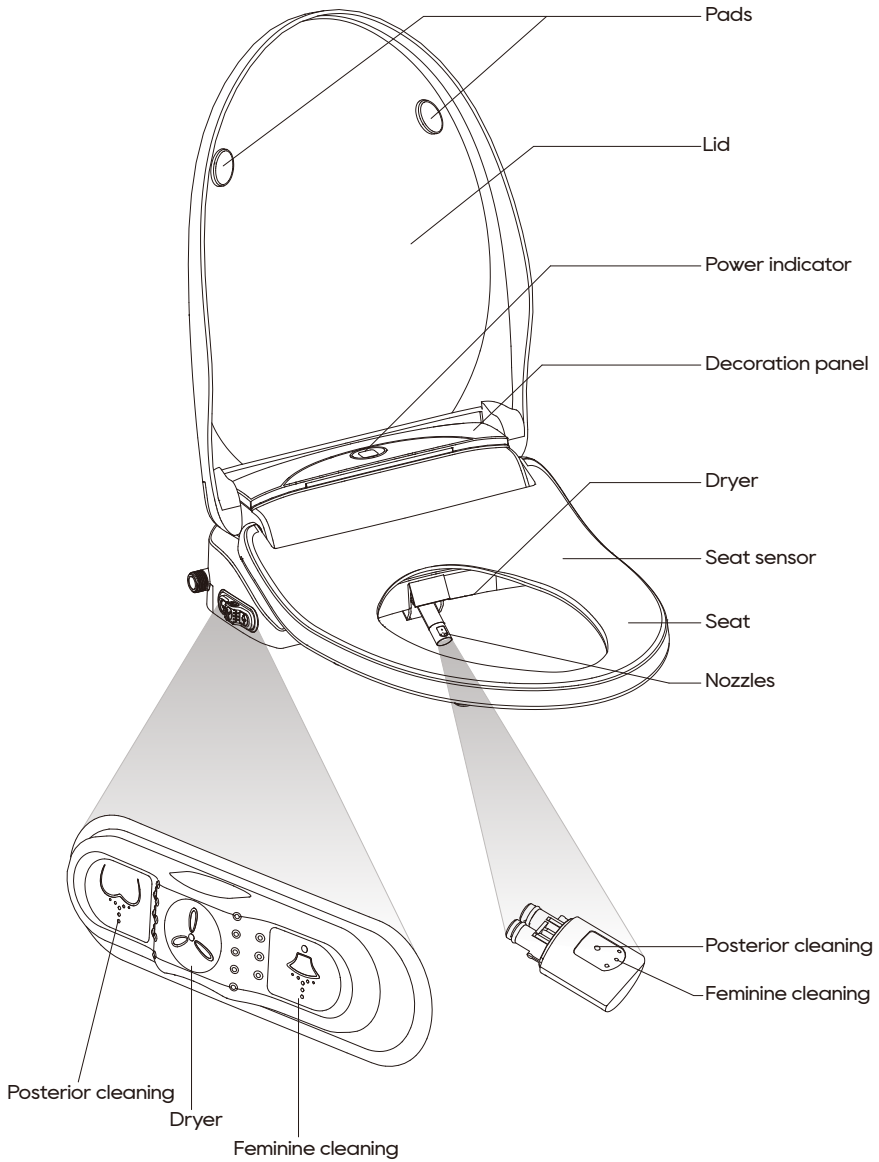
INLET HOSE



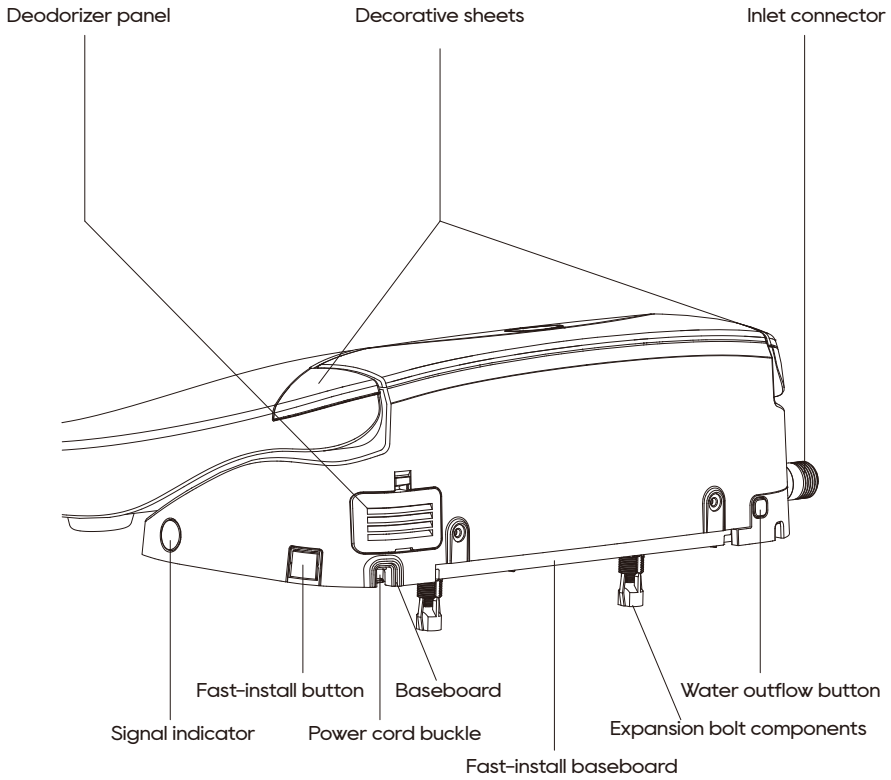
T-JUNCTION COMPONENT



2 UNIT & PARTS



2 UNIT & PARTS



3

SPECIFICATION

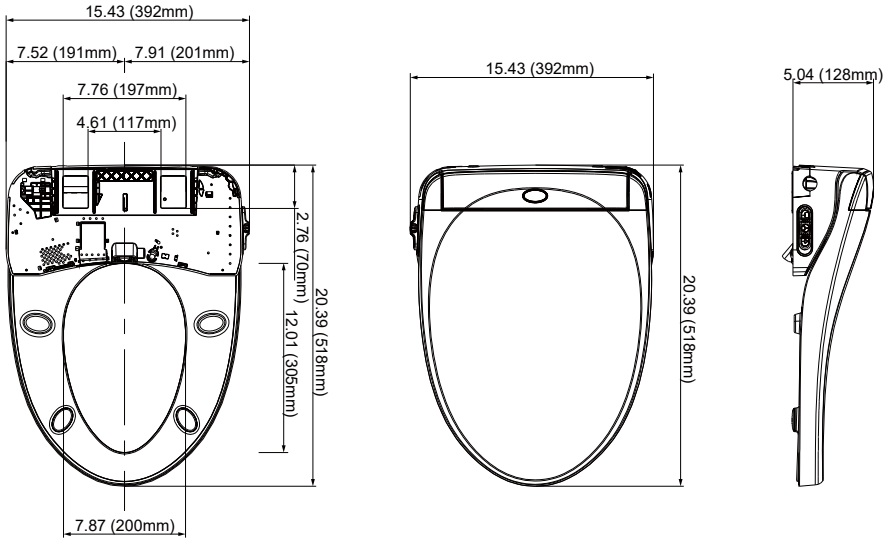
Dimension		15.43" W x 20.39" D x 5.04" H	
Rate Voltage		AC 110V, 60HZ	
Power cord length		59 inches	
Wash	Feed Volume	Wash	about 0.1-0.18 gal/min(hydraulic pressure of 0.2Mpa)
		Bidet	about 0.1-0.18 gal/min(hydraulic pressure of 0.2Mpa)
	Swing cleaning		Swing cleaning back and forth
	Massage cleaning		Interval cleaning/Powerful cleaning
	Pressure control		5 levels
	Temperature control		About 95°F-107.6°F (5 levels)
	The adjustment of nozzle position		5 levels
	Safety device		Prevents the circuit from overheating Temperature control switch & Temperature fuse
Heated Seat	Temperature control		About 86°F - 107.6°F (4 levels)
	Safety device		Temperature sensor & Temperature control switch & Temperature fuse
Dry	Temperature control		About 89.6°F - 134.6°F (4 levels)
	Safety device		Temperature control switch & Temperature fuse
Temperature of water supply		39.2°F - 95°F	
Ambient temperature		37.4°F - 104°F	
Water Heating		Instant	
Waterproof guide		IPX4	
Self-cleaning	Antibacterial seat/nozzle	Made from anti-bacterial material	
	Self-cleaning nozzle		Self-cleaning nozzle
Deodorization	Odor control		Activated carbon deodorant
Rated power	980W	Supply water pressure	0.07MPa (Dynamic) ~0.75MPa (Static)
Maximum power	1600W		

※ 1: Rated power: Water pressure is 0.18MPa + 0.02MPa under an ambient temperature of 23°C±2°C (73.4°F±35.6°F), and the condition of 15°C±0.5°C (59°F±32.9°F) water-inflow temperature. Increase the water quantity, the seat temperature and the water temperature, to start the posterior cleaning on the average setting.

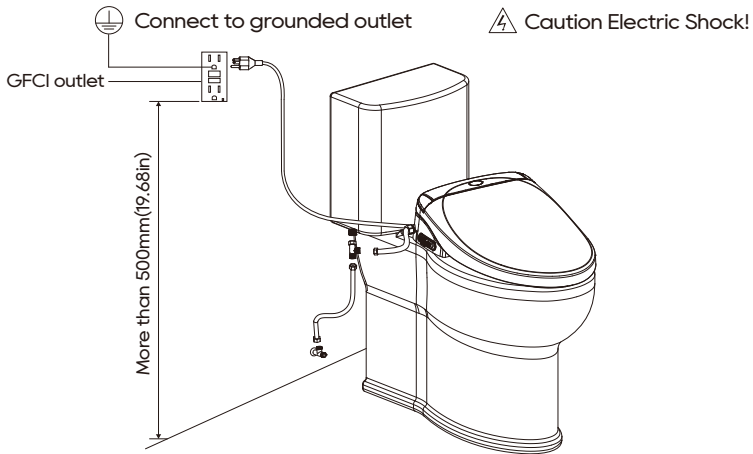
※ 2: Maximum power: Water pressure is 0.18MPa+0.02MPa under an ambient temperature of 23°C±2°C (73.4°F±35.6°F), and the condition of 5°C±1°C (41°F±33.8°F) water-inflow temperature. Increase the water quantity, the seat temperature and the water temperature, to start the feminine cleaning on the average setting.

3 SPECIFICATION

Product diagram

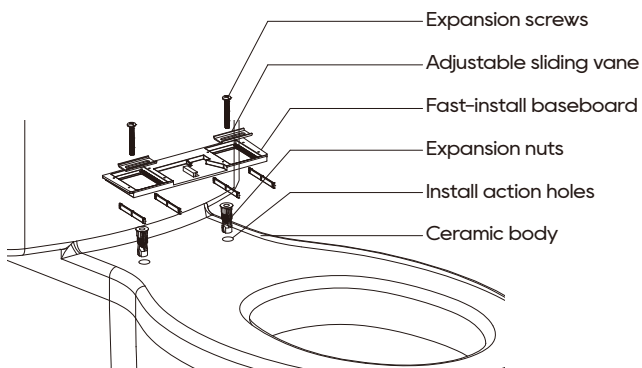


The power outlet and the water inflow connection (Caution)



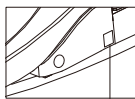
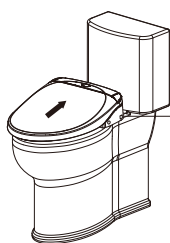
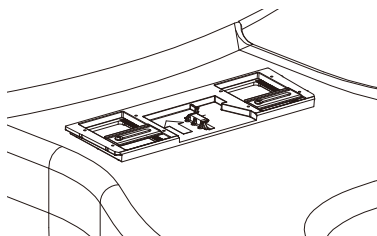
- ※ If the power cord is not long enough, please do not use a extension cord.
- ※ Only for reference. Bathroom sizes and configurations may vary.

4 INSTALLATION



【Tips】

1. Put expansion nuts into installation holes
2. Put fast-install baseboard on installation holes
3. Put adjustable sliding vane on fast-install baseboard
4. Fix adjustable sliding vane and baseboard to ceramic body through expansion screws

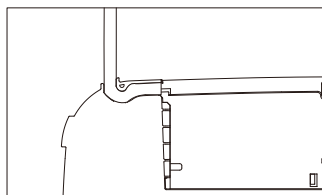
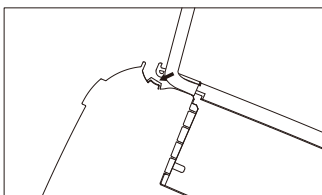


Fast-install button

Put the cover seat in the direction of the fast-install baseboard, and push the cover seat as the arrow shown. The seat is properly installed after a "click" sound.

Tips for installation of fast baseboard

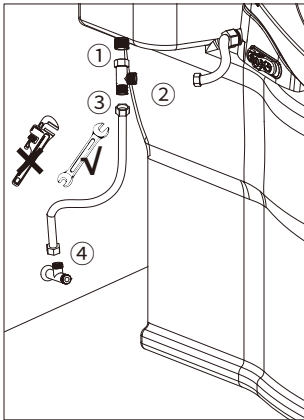
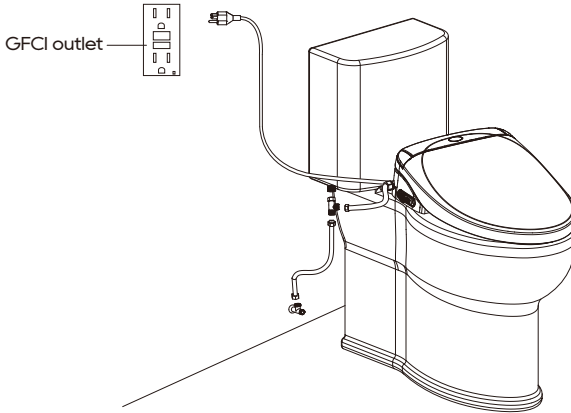
1. Install the baseboard and cover seat slightly loosened so as to adjust the position.
2. Take out the cover seat after pressing the button again.
3. Fix the baseboard, then install the cover seat.



Press the arrow to indicate the fixed power line.

4 INSTALLATION

Water supplied by connecting products



Note: Turn off shut-off valve and drain the water tank before removing valves to prevent water spillage.

- ① Connect the T-connector to the toilet inlet valve.
- ② Connect the included braided hose to the product.
- ③ Connect the original hose to the T-connector.
- ④ Connect the original hose to the inlet valve.

※ **WARM PROMPT**

This product has been tested with water. It is normal if a small amount of water drips out of the product when it is removed from the packaging.

4 INSTALLATION

Remote control installation instructions

Method 1

① Install the remote control fixing panel with a magnet on the remote control fixed seat and lock tightly.
Note: Pay attention to the polarity when installing the magnet. Place the larger side of the magnet hole outside the fixed panel, and enclose the small hole surface inside the fixed panel, as shown in figure 1 below.

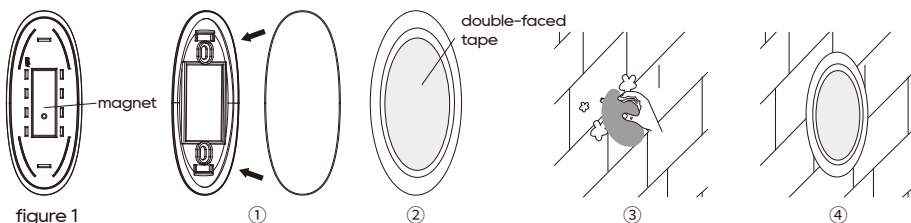
② Put the double-faced tape on the remote control fixed seat.

③ Clean dust, grease, water droplets on the walls and wipe them clean.

④ Press the remote control fixed seat with double-sided tape on it. Press it evenly for 3 to 5 min.

Attach the remote control fixed seat to the wall.

Note: The method is applicable to glazed tiles, glass and smooth walls.

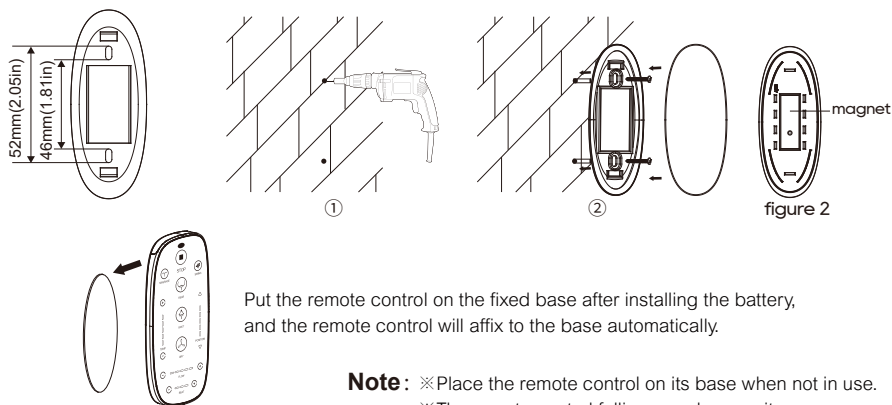


Method 2

① Use the Remote Control Fixing Panel and mark 2 holes in the wall that will be between 46mm - 52mm apart. Check for the holes to be vertically level. Have a user sit on the seat to check the position of the hole in the wall. The user should be able to access the remote control while seated. Use a 6mm drill bit for the diameter of the hole and drill about 22mm into the wall.

② After installing the expansion plug in the wall, align the fixing hole of the remote control at the expansion plug and then lock the bolt. Install the remote control fixing panel with a magnet on the remote control fixed seat and lock tightly.

Note: Pay attention to the polarity when installing the magnet. Place the larger side of the magnet hole outside the fixed panel, and enclose the small hole surface inside the fixed panel, as shown in figure 2 below.



- Note:**
- ※ Place the remote control on its base when not in use.
 - ※ The remote control falling can damage it.
 - ※ Do not spill water on the remote control or drop it in water.

5 FUNCTIONS & SETTINGS

Cleansing functions

Posterior cleaning	Rear cleaning
Feminine cleaning	Front cleaning
Spray position adjusting	Adjust the nozzle position to expand the areas being cleaned
Water flow adjusting	Adjust water flow
Massage cleaning	Variable intensity of the water spray for massaging action
Swing cleaning	Swing back and forth to cleanse most areas

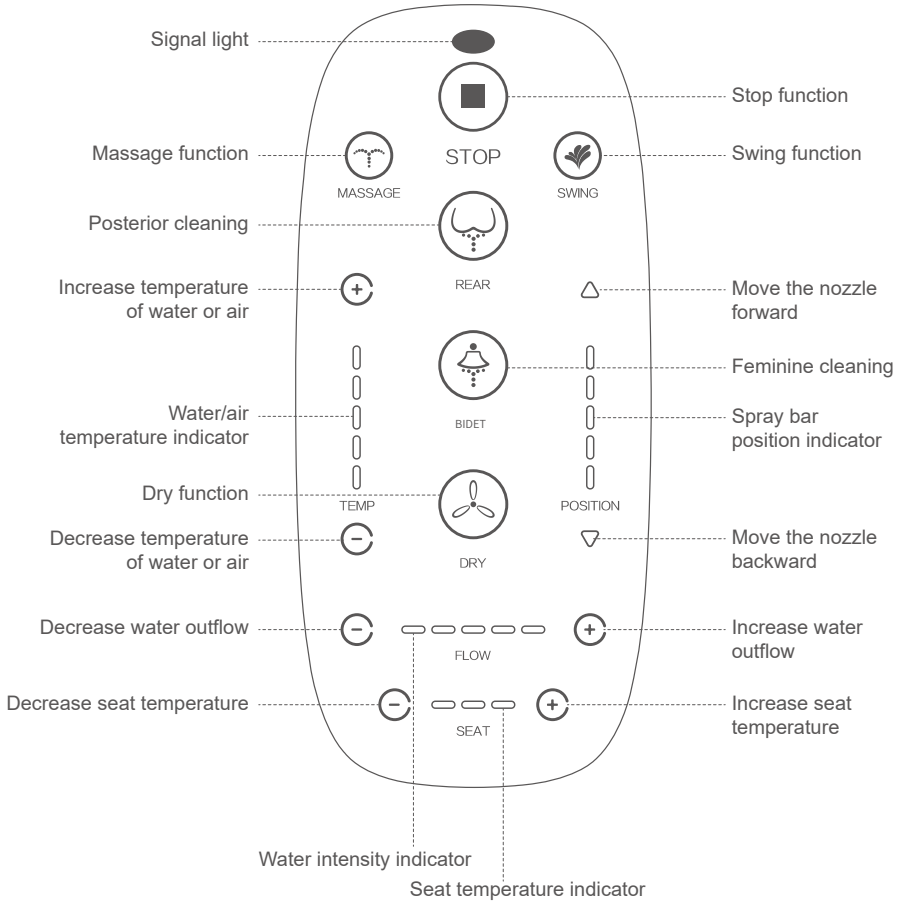
Comfort functions

Seat heated	Heat seat and maintains temperature
Dry	Dry cleaned areas with warm air
Temperature adjusting	Adjust temperature of water, seat and warm air for drying
Deodorization	Auto-deodorizes after user is seated
Seat sensor	Enable cleaning functions after user is seated
Soft close function	Soft-close toilet seat and lid
LED night light	On-and-off sensor adjusts brightness
Prevent low temperature scald	The seat temperature will automatically decrease after the user is seated for 15 min.

Cleaning functions

Antibacterial	The cover and seats are antibacterial
Nozzle cleaning	Nozzle will be cleaned when it is pulled out or retracted
Water emission	Drain the remaining water in the toilet to make the water cleaner

Functions may not be the same for all models.





Stop

- ▶ Press the button; turns all functions off.
- ▶ Atmosphere light will be turned off or on by holding the "stop" button more than 2 sec. (Some models do not have this function).



Posterior cleaning

- ▶ Press the button; posterior cleaning function will start after a beep. The function turns off after 2 min. or by pressing the stop button.
- ▶ Function will stop if user leaves.



Feminine cleaning

- ▶ Press the button; bidet function will start after a beep. The function turns off after 2 min. or by pressing the stop button.
- ▶ Function will stop if user leaves.



Drying

- ▶ Press the button; drying function will start after a beep. The function automatically turns off after 2 min. or by pressing the stop button.
- ▶ Function will stop if user leaves.



Massage

- ▶ During Posterior/Feminine Cleaning Mode, press the "Massage" button. Function will start after a beep.
 1. Interval massage mode: The nozzle sprays with varying pressure.
 2. Powerful massage mode: The nozzle sprays pressurized water.
 Remark: The massage cycle order is interval massage > powerful massage > regular cleaning.



Swing

- ▶ During Posterior/Feminine Cleaning Mode, press the "Swing" button. Function will start after a beep. During swing function, the nozzle will oscillate back and forth. Press the "swing" button again to stop swing function. Pressing the "stop" button will stop all cleaning functions.



Water temperature setting

There are 5 settings. When the rear mode or bidet mode is turned on, the starting position is the third setting. Press the "+" button to increase water temperature. Press the "-" button to decrease water temperature. The indicator light corresponds to the setting.

Dryer temperature setting

There are 5 settings. When the rear mode or bidet mode is turned on, the starting position is the third setting. Press the "+" button to increase dryer temperature. Press the "-" button to decrease dryer temperature. The indicator light corresponds to the setting.



Spray position setting

There are 5 settings. When the rear mode or bidet mode is turned on, the starting position is the third setting. Press the "+" button to move the nozzle forward. Press the "-" button to move the nozzle backwards. The indicator light corresponds to the setting.

5 FUNCTIONS & SETTINGS

Adjust water flow



► There are 5 settings. When the rear mode or bidet mode is turned on, the starting position is the third setting. Press the "+" button to increase water intensity. Press the "-" button to decrease water intensity. The indicator light corresponds to the setting.

Adjust seat temperature



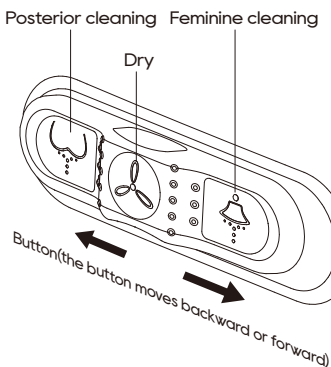
► There are 3 settings. When the rear mode or bidet mode is turned on, the starting position is the second setting. Press the "+" button to increase seat temperature. Press the "-" button to decrease seat temperature. The indicator light corresponds to the setting.

※ Note

Adjust the seat temperature to room temperature or lower temperature.

To prevent scalding, the seat temperature will automatically decrease after 15 min. of use.

Side push button instructions



※ If the beep sounds twice, it means that the cycle is complete.

Posterior & Feminine cleaning function instructions:

Function 1: Press Posterior/Feminine cleaning button to start the rear and front cleaning.

Function 2: When the posterior cleaning or feminine cleaning function is on, press the button again to stop cleaning.

Function 3: Hold the Posterior/Feminine cleaning button for approximately 2 seconds to start function. The cycle will consist of: swing Posterior/Feminine cleaning for 30 sec.; massage function for 60 sec.; drying for 2 min.

Note: For faster access to swing or massage mode, the remote control can be used.

Press the posterior cleaning button more than 5 sec. to turn off/on LED.

Dry function instructions:

Function 1: Press the Dry button to start the drying function.

Function 2: Press the button again to stop drying function.

Push button function instruction:

Function 1: Under posterior/feminine cleaning mode, slide the side button to adjust the position of the nozzle.
(Total of 5 settings. Default is the third gear.)

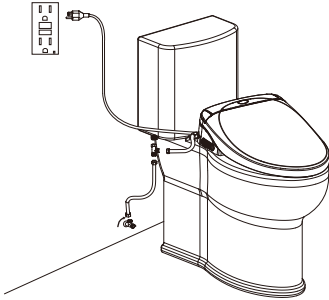
Function 2: Under posterior/feminine cleaning mode, slide the side button to adjust volume of water.
(Total of 5 settings. Default is the third gear.)

Remark: To switch between the above two functions, hold the dry button for approximately 2 seconds. The switch is complete after a beep.

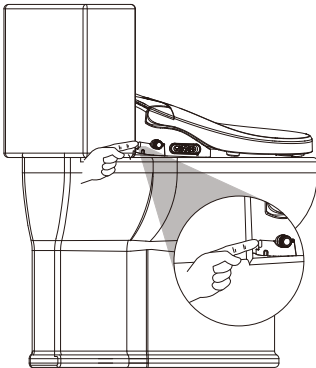
Function 3: Under the dry mode, slide the side button to adjust the temperature (Total of 5 settings. Default is the third setting)

6 MAINTENANCE

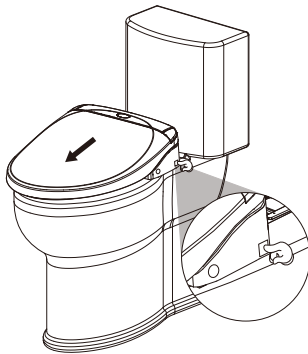
Removal & Maintenance



- ① Unplug the product and turn off the shut-off valve. Remove the inlet hose and drain excess water.



- ② Press the water outflow button to drain water out of toilet.



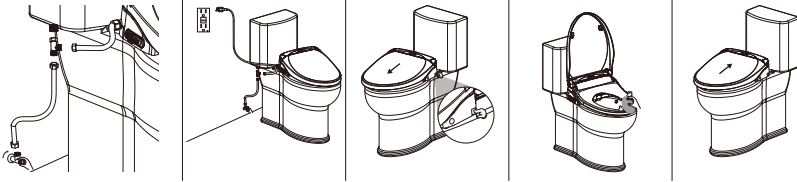
- ③ Press fast-install button. Remove the seat cover from toilet.

※ **WARM PROMPT**

Please check and test before using the product again.

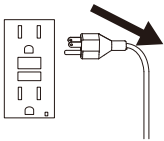
6 MAINTENANCE

Cleaning

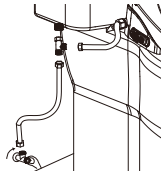


- ① Turn off the water shut-off valve.
- ② Unplug the product and unscrew the inlet hose.
- ③ Press the quick installation button and take off the seat cover.
- ④ Wipe the seat cover with a sponge or a smooth cloth. Only use natural cleaning substances.
- ⑤ Install the seat cover.

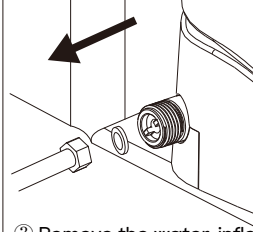
Cleaning the water filter



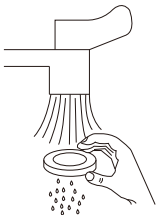
- ① Unplug the product.



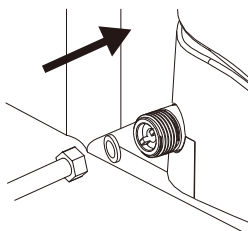
- ② Shut-off water supply.



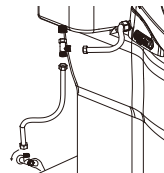
- ③ Remove the water-inflow filter.



- ④ Clean the water-inflow filter screen.

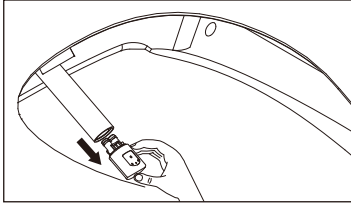


- ⑤ Install the water-inflow filter screen.

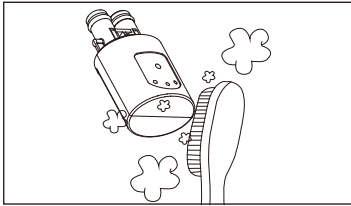


- ⑥ Turn on water supply.

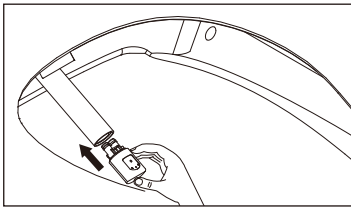
Nozzle cleaning



- ① Press the Posterior and Bidet Button simultaneously for approximately 2 seconds for the nozzle to extend out. Remove the nozzle



- ② Scrub the nozzle and spray rod with a toothbrush, sponge, or smooth cloth with soap or mild detergent.



- ③ After reattaching the nozzle, press the Stop, Posterior, or Bidet Button for approximately 2 seconds. The nozzle will automatically retract into the product.

※ WARM PROMPT

Do not use hydrogen chloride cleaning agents, diluent, pesticides and other non-organic detergents to clean the product, and do not use sandpaper or rough cloth to scrub it.

7 TROUBLESHOOTING

Common Troubleshooting

Problems	Possible Causes	Actions
The product doesn't work	Check to see if the power supply is plugged in or the leakage protector is disconnected	Switch the power supply on
No response when pressing the posterior, bidet, or drying button	No water outflow from nozzle or the water yield is very small	Please press the stop button and wait for the water supply
		Please open the water-inflow valve if it is closed
	Please clean or replace the filter (optional feature) device if it is blocked	
	The seating sensor does not recognize that someone is on the product	Please sit in a manner that covers the sensor
The cleaning stops suddenly	After a mode is selected, the product goes through its selected mode for 2 min. before automatically stopping.	This is the correct operation. To continue cleaning, select a new mode
The nozzle stops suddenly	If the user moves too fast or leaves the seat, the seat sensor cannot detect the motion.	Ensure that the seat sensor is covered and continue
Low water pressure when posterior cleaning or feminine cleaning	Filter (optional feature) may be blocked	Clean the filter screen or replace the filter
	The water-inflow hose may be leaking	Check the hose and tighten it
Deodorizer does not activate	The seating sensor does not recognize that someone is on the product	Please sit in a manner that covers the sensor
	Activated carbon filter blocked (optional feature) or spacer may be blocked	Remove the deodorizing window to clean or replace the carbon filter
Deodorant function continues to work after user leaves	The deodorant function will be continue to work for 20 sec. in order to remove the residual odor after the user leaves	This is the correct operation
The toilet seat can't be heated	The seating sensor does not recognize that someone is on the product	Please sit in a manner that covers the sensor
	The seat temperature is set lower than desired	Adjust the seat temperature with the remote control
Cold water of posterior cleaning and feminine cleaning	The water temperature is set lower than desired	Adjust the water temperature with the remote control
The drying temperature is not high enough	The dryer temperature is set lower than desired	Adjust the drying temperature with remote control

7 TROUBLESHOOTING

Troubleshooting and alarm maintenance

Problems	Possible Causes	Actions
If the power light flashes 1 time as it lights for 2 sec.	The inlet water temperature sensor is faulty or there is a broken circuit.	You should cut off the power supply immediately and stop using the product, then contact the local dealer or call service hotline.
If the power light flashes 2 times as it lights for 2 sec.	The outlet water temperature sensor is faulty or there is a broken circuit.	
If the power light flashes 3 times as it lights for 2 sec.	The drying fan temperature sensor is faulty or there is a broken circuit.	
If the power light flashes 4 times as it lights for 2 sec.	The seat temperature sensor is faulty or there is a broken circuit.	
If the power light flashes 7 times as it lights for 2 sec.	The dryer fan may be faulty.	
When the product is in use, the leakage protection switch on the power supply trips from time to time	Leakage beyond a normal range has been detected.	

※ NOTES

Please read the above troubleshooting and follow the instructions.

ONE-YEAR LIMITED WARRANTY

Our products have been manufactured under the highest standards of quality and workmanship. We warrant the original consumer purchaser, for residential use, that this product will be leak-free and drip-free during normal use and all parts and finishes of these products will be free from defects in material and manufacturing workmanship during normal use, for one (1) year from the date of original consumer purchase.

If this eBidet or eToilet should ever develop a leak or drip during the Warranty Period, we will FREE OF CHARGE provide the parts necessary to put the product back in good working condition and will replace FREE OF CHARGE any part or finish that proves defective in material and manufacturing workmanship, under normal installation, use and service. Proof of purchase (original sales receipt) from the original consumer purchaser must be accompanied by all warranty claims. Defects or damage caused by the use of non-genuine parts is not covered by this warranty.



NOTE: This equipment has been tested and found to comply with the limits for a Class B digital device, pursuant to part 15 of the FCC Rules. These limits are designed to provide reasonable protection against harmful interference in a residential installation.

This equipment generates uses and can radiate radio frequency energy and, if not installed and used in accordance with the instructions, may cause harmful interference to radio communications. However, there is no guarantee that interference will not occur in a particular installation. If this equipment does cause harmful interference to radio or television reception, which can be determined by turning the equipment off and on, the user is encouraged to try to correct the interference by one or more of the following measures:

- Reorient or relocate the receiving antenna.
- Increase the separation between the equipment and receiver.
- Connect the equipment into an outlet on a circuit different from that to which the receiver is connected.
- Consult the dealer or an experienced radio/TV technician for help.

RF Exposure

The device has been evaluated to meet general RF exposure requirement.

Warning: Changes or modifications not expressly approved by the party responsible for compliance could void the user's authority to operate the equipment.

DELUXE LIVING:

If you have any questions or concerns, please stop and contact us immediately.

After Sales Customer Service:

CustomerService@Deluxelivinghome.com

1-866-358-9584 (1-866-DLUX-LVG)

Visit our website for more information: www.deluxelivinghome.com

DELUXE  LIVING