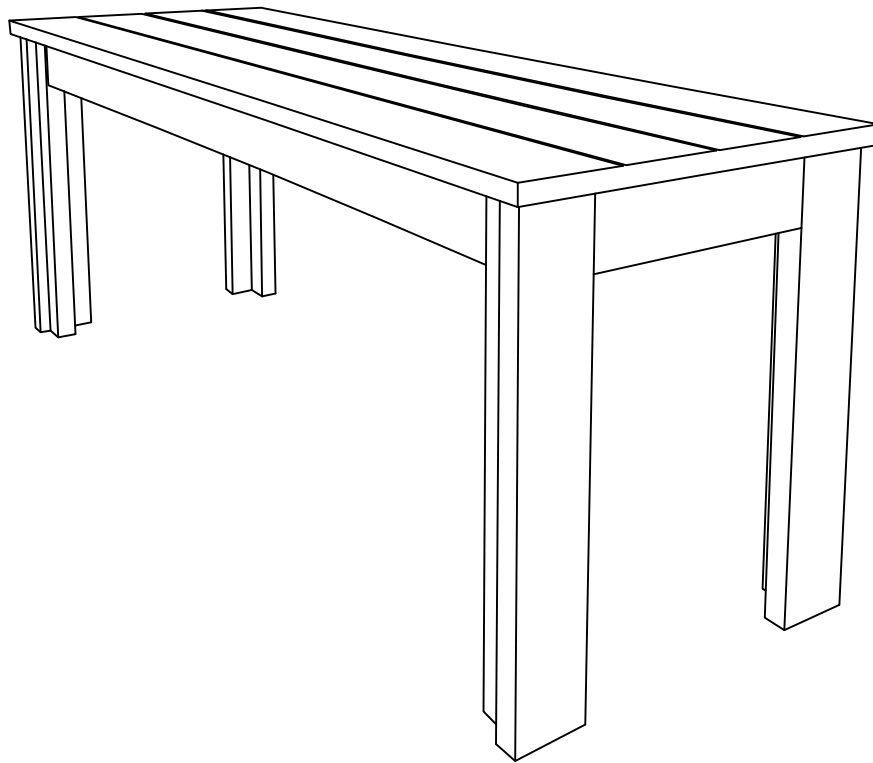


ASSEMBLY INSTRUCTION

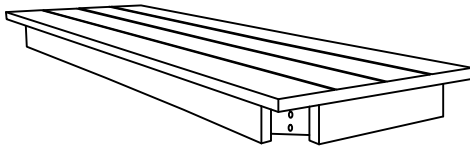
DINING BENCH



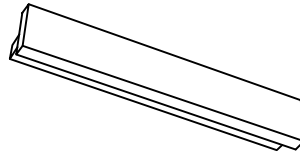
IMPORTANT NOTE:

- PLACE ALL PARTS ON A CLEAN AND SMOOTH SURFACE SUCH AS A RUG OR CARPET TO AVOID THE PARTS FROM BEING SCRATCHED.
- BEFORE YOU BEGIN, KINDLY FOLLOW THE ASSEMBLY INSTRUCTIONS STEP BY STEP.
- DON NOT TIGHTEN ALL SCREWS AND BOLTS UNTIL THE TABLE SET IS FULLY SET-UP.

CARTON CONTENT



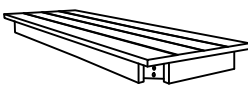



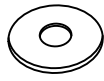

A x 1



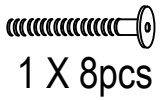
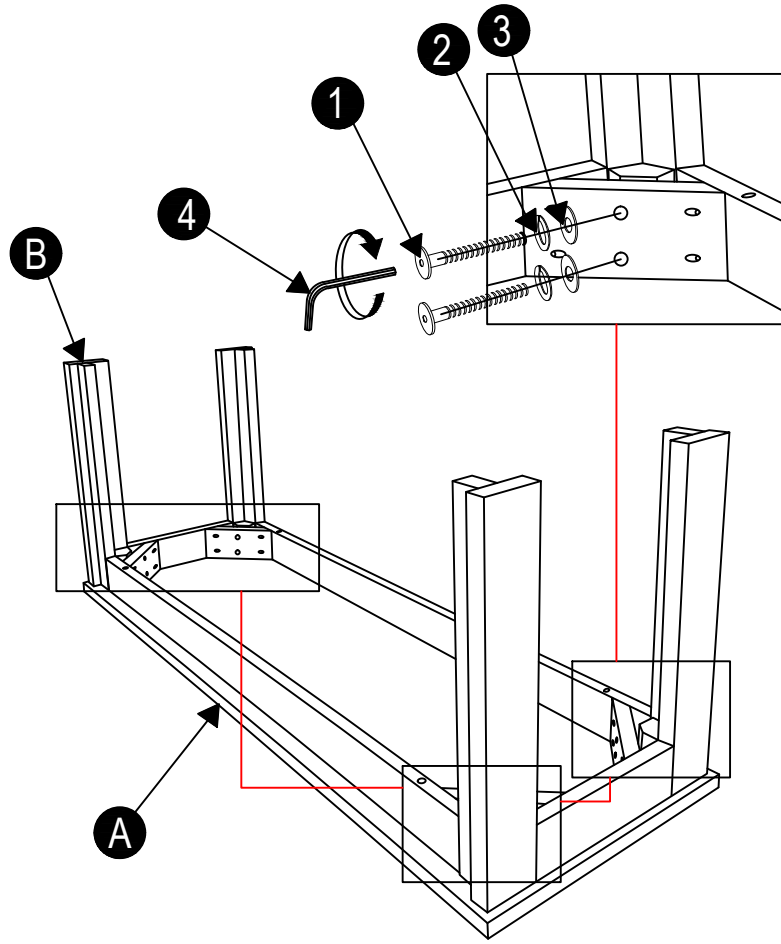
B x 4

CHAIR PART LIST FOR ONE

CHAIR HARDWARE LIST FOR ONE

NO	DESCRIPTION	SKETCH	QTY	NO	DESCRIPTION	SKETCH	QTY
A	CHAIR TOP WITH APRON FRAME		1 PC	1	JCBC SCREW M6 x 50 MM		8 PCS
B	CHAIR LEG		4 PCS	2	SPRING WASHER M6		8 PCS
				3	FLAT WASHER M6 x 19 MM		8 PCS
				4	ALLEN KEY M4		1 PC

STEP 1



ASSEMBLY COMPLETE !

