








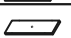




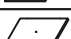
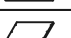




CARE AND MAINTENANCE

Spot clean using a mild water-free solvent. Only a professional cleaner should undertake a complete overall cleaning.
The use of steam or water-based cleaners may cause excessive shrinking or staining.

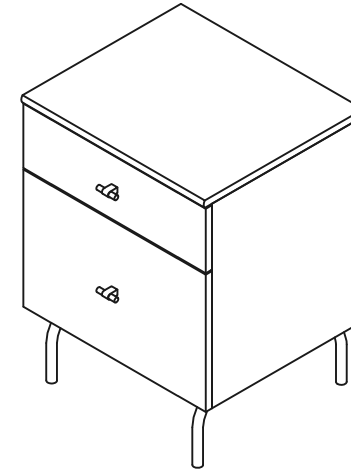
NOTICE









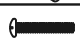



- * Please make sure that you have all parts indicated before you begin assembly of this item.
- * This item should be assembled on a soft surface to prevent scratching the finish during assembly.
- * This item may require periodic tightening.

Part List and Hardware List

PIECE	DESCRIPTION	PICTURE	QUANTITY
A	TOP PANEL		1X
B	LEFT ASSEMBLY		1X
C	RIGHT ASSEMBLY		1X
D	FRONT FRAME		1X
E	LOWER FRONT FRAME		1X
F	LOWER BACK FRAME		1X
G	BACK PANEL		1X
H	SMALL DRAWER FRONT		1X
I	SMALL DRAWER LEFT		1X
J	SMALL DRAWER RIGHT		1X
K	SMALL DRAWER BACK		1X
L	DRAWER BASE		2X
M	LARGE DRAWER FRONT		1X
N	LARGE DRAWER LEFT		1X
O	LARGE DRAWER RIGHT		1X
P	LARGE DRAWER BACK		1X
Q	LEG FRAME		2X
R	LEG STRETCHER		2X

Product Dimensions: 18"W x 15 3/4"D x 24"H



PIECE	DESCRIPTION	PICTURE	QUANTITY
1	40 MM BOLT	M6x40mm 	4X
2	1" ROUND HEAD SCREW	M4x25mm 	6X
3	1 1/4" FLAT HEAD SCREW	M3x32mm 	20X
4	3/4" FLAT HEAD SCREW	M3x19mm 	8X
5	1/2" FLAT HEAD SCREW	M3x13mm 	4X
6	CAMBOLT		18X
7	CAMLOCK		18X
8	HANDLE		2X
9	MACHINE SCREW	M4x22mm 	2X
10	WEDGE		4X
11	WOODEN DOWEL		8X
12	ALLEN KEY		1X

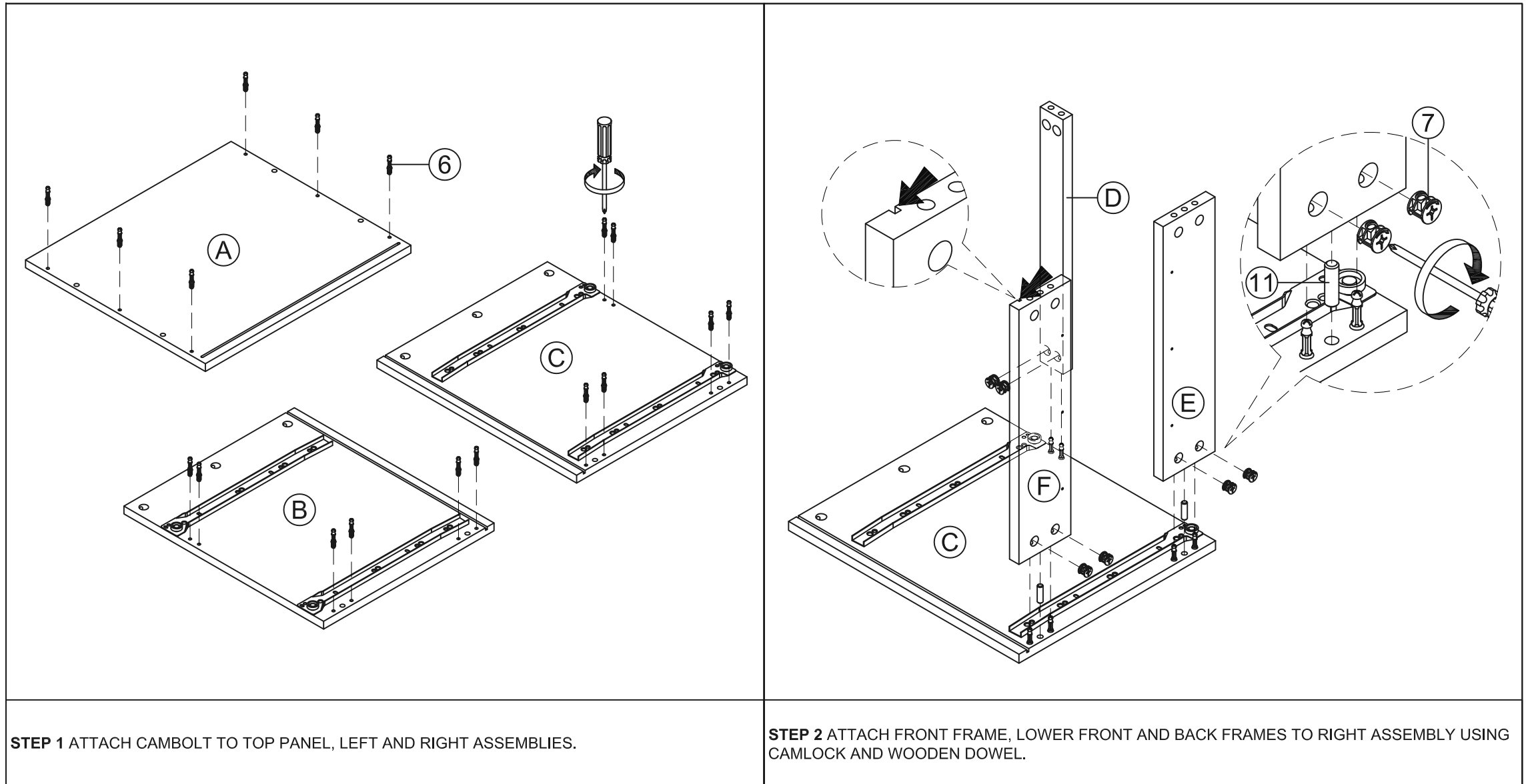
PREPARATION

Before beginning assembly of product, make sure all parts are present. Compare parts with package contents list and hardware contents list.

If any part is missing or damaged, do not attempt to assemble the product.

Estimated Assembly Time: 60 minutes.

Tools Required for Assembly : Phillips Screwdriver



STEP 1 ATTACH CAMBOLT TO TOP PANEL, LEFT AND RIGHT ASSEMBLIES.

STEP 2 ATTACH FRONT FRAME, LOWER FRONT AND BACK FRAMES TO RIGHT ASSEMBLY USING CAMLOCK AND WOODEN DOWEL.

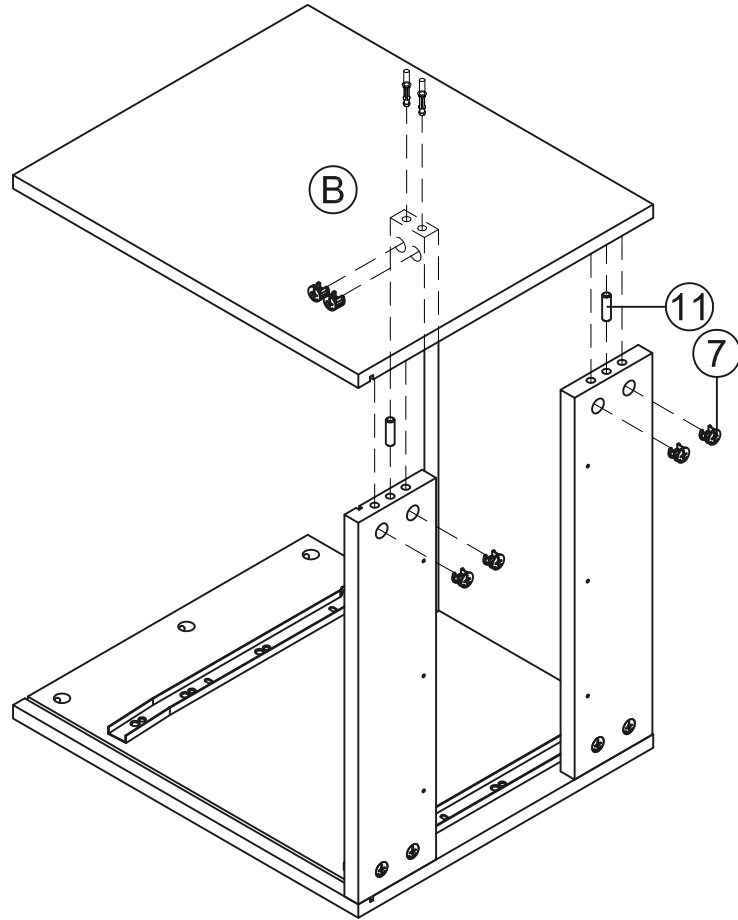
PREPARATION

Before beginning assembly of product, make sure all parts are present. Compare parts with package contents list and hardware contents list.

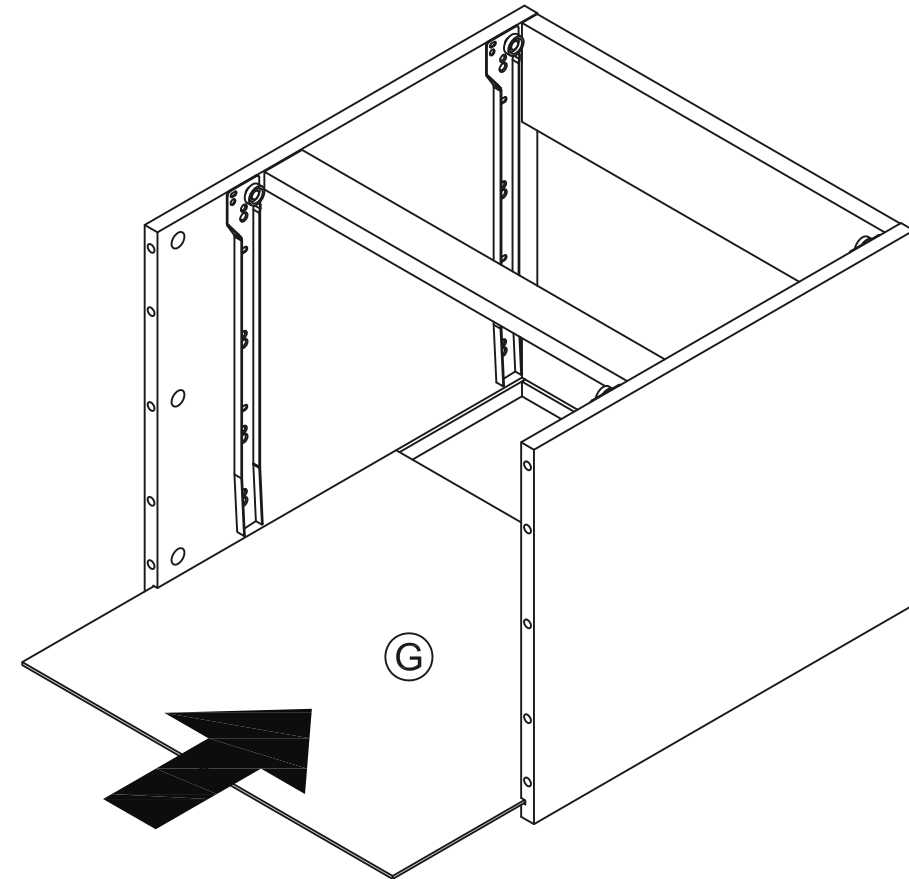
If any part is missing or damaged, do not attempt to assemble the product.

Estimated Assembly Time: 60 minutes.

Tools Required for Assembly : Phillips Screwdriver



STEP 3 ATTACH LEFT ASSEMBLY TO UNIT USING CAMLOCK AND WOODEN DOWEL.



STEP 4 SLIDE BACK PANEL INTO THE GROOVE.

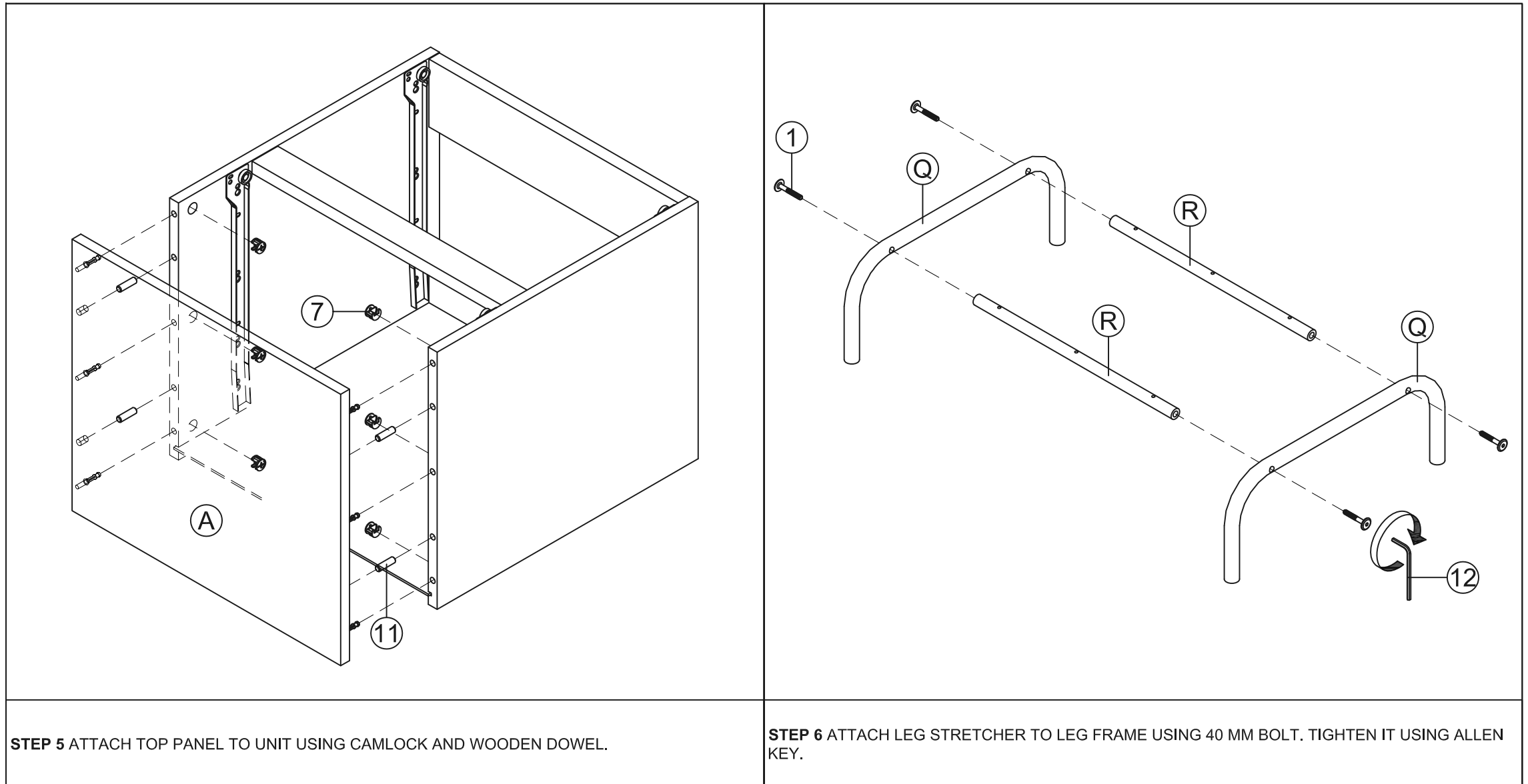
PREPARATION

Before beginning assembly of product, make sure all parts are present. Compare parts with package contents list and hardware contents list.

If any part is missing or damaged, do not attempt to assemble the product.

Estimated Assembly Time: 60 minutes.

Tools Required for Assembly : Phillips Screwdriver



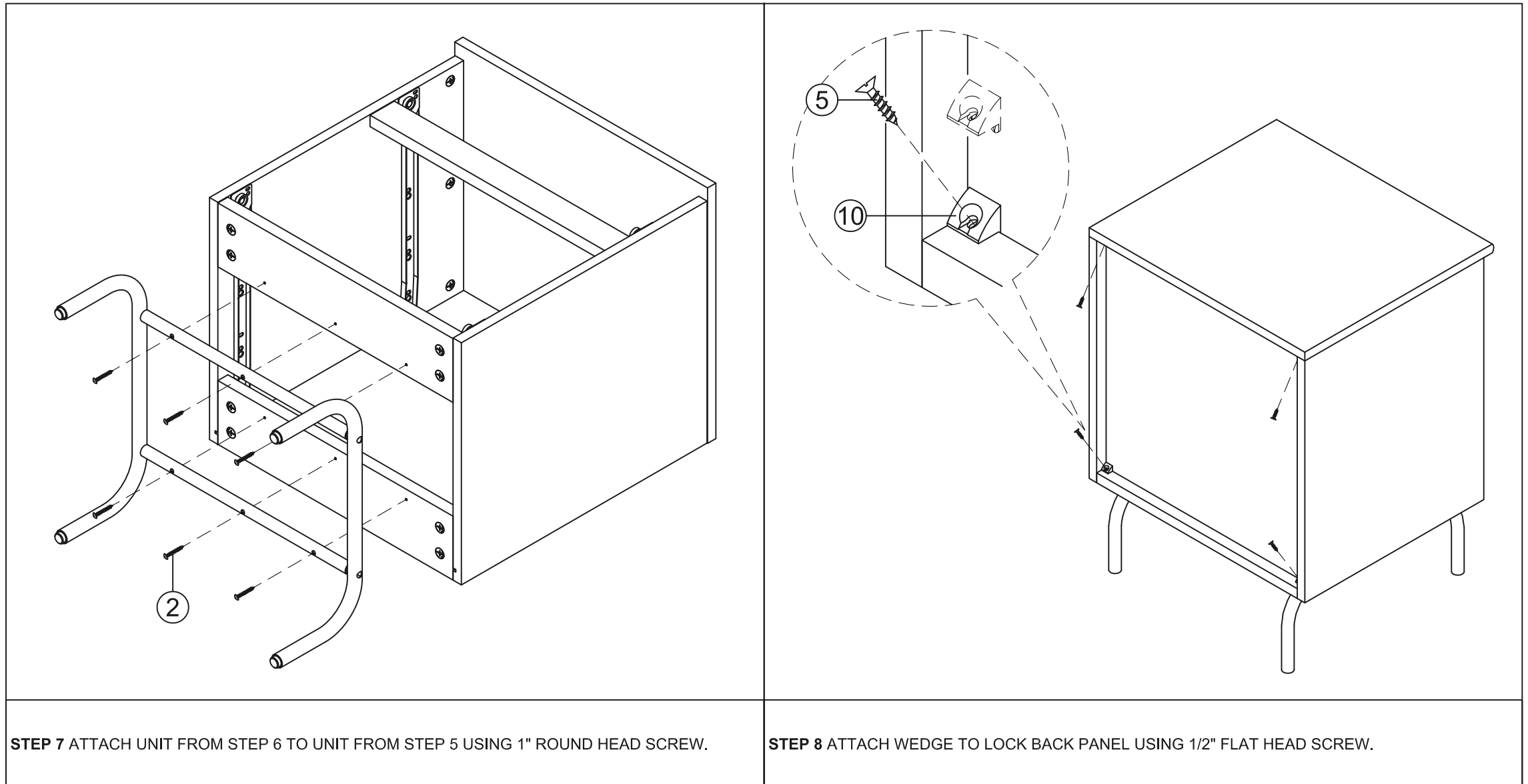
PREPARATION

Before beginning assembly of product, make sure all parts are present. Compare parts with package contents list and hardware contents list.

If any part is missing or damaged, do not attempt to assemble the product.

Estimated Assembly Time: 60 minutes.

Tools Required for Assembly : Phillips Screwdriver



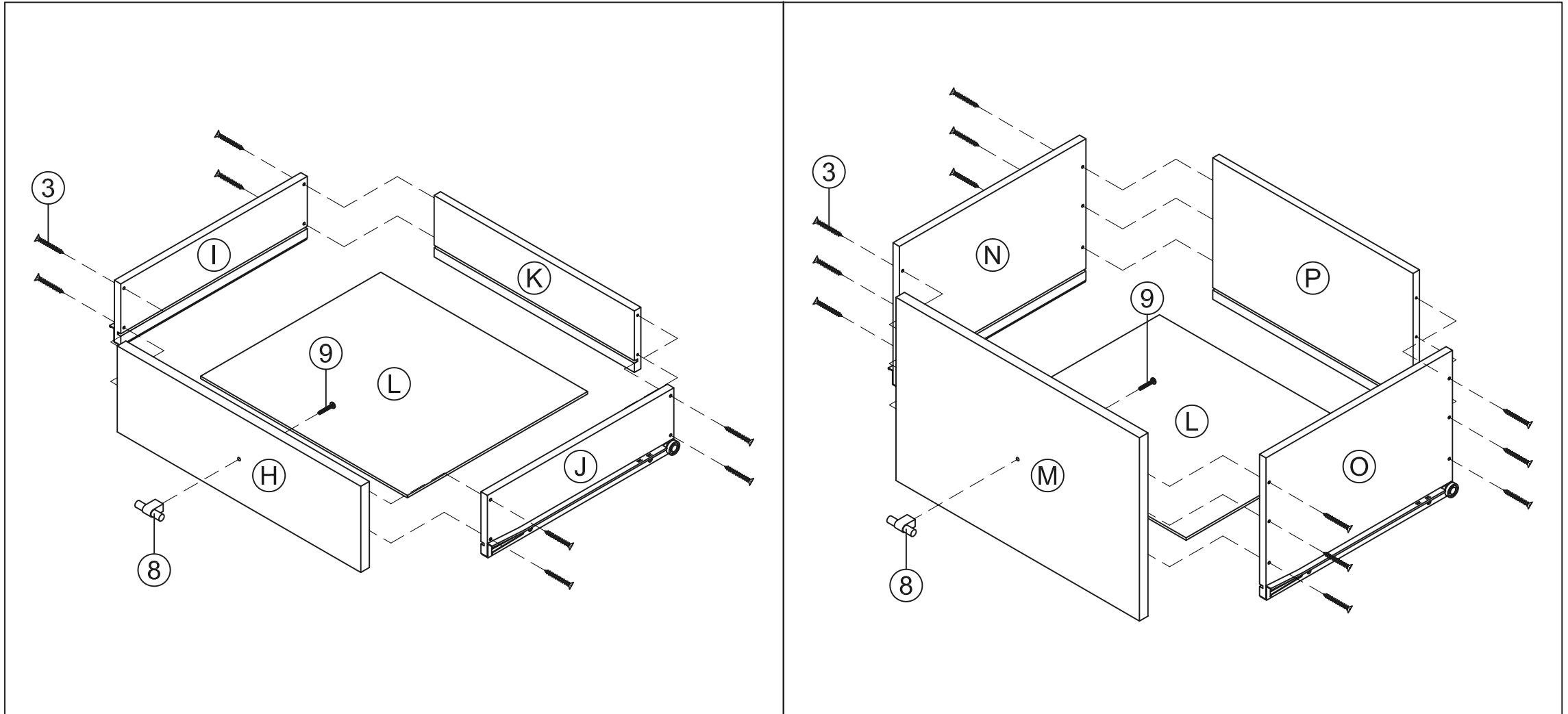
PREPARATION

Before beginning assembly of product, make sure all parts are present. Compare parts with package contents list and hardware contents list.

If any part is missing or damaged, do not attempt to assemble the product.

Estimated Assembly Time: 60 minutes.

Tools Required for Assembly : Phillips Screwdriver



STEP 9 ATTACH HANDLE TO SMALL DRAWER FRONT USING HANDLE BOLT. ATTACH SMALL DRAWER LEFT AND RIGHT TO SMALL DRAWER BACK USING 1 1/4" FLAT HEAD SCREWS. SLIDE DRAWER BASE INTO THE GROOVE. ATTACH SMALL DRAWER FRONT TO SMALL DRAWER LEFT AND RIGHT USING 1 1/4" FLAT HEAD SCREWS.

STEP 10 ATTACH HANDLE TO LARGE DRAWER FRONT USING HANDLE BOLT. ATTACH LARGE DRAWER LEFT AND RIGHT TO LARGE DRAWER BACK USING 1 1/4" FLAT HEAD SCREWS. SLIDE DRAWER BASE INTO THE GROOVE. ATTACH LARGE DRAWER FRONT TO LARGE DRAWER LEFT AND RIGHT USING 1 1/4" FLAT HEAD SCREWS.

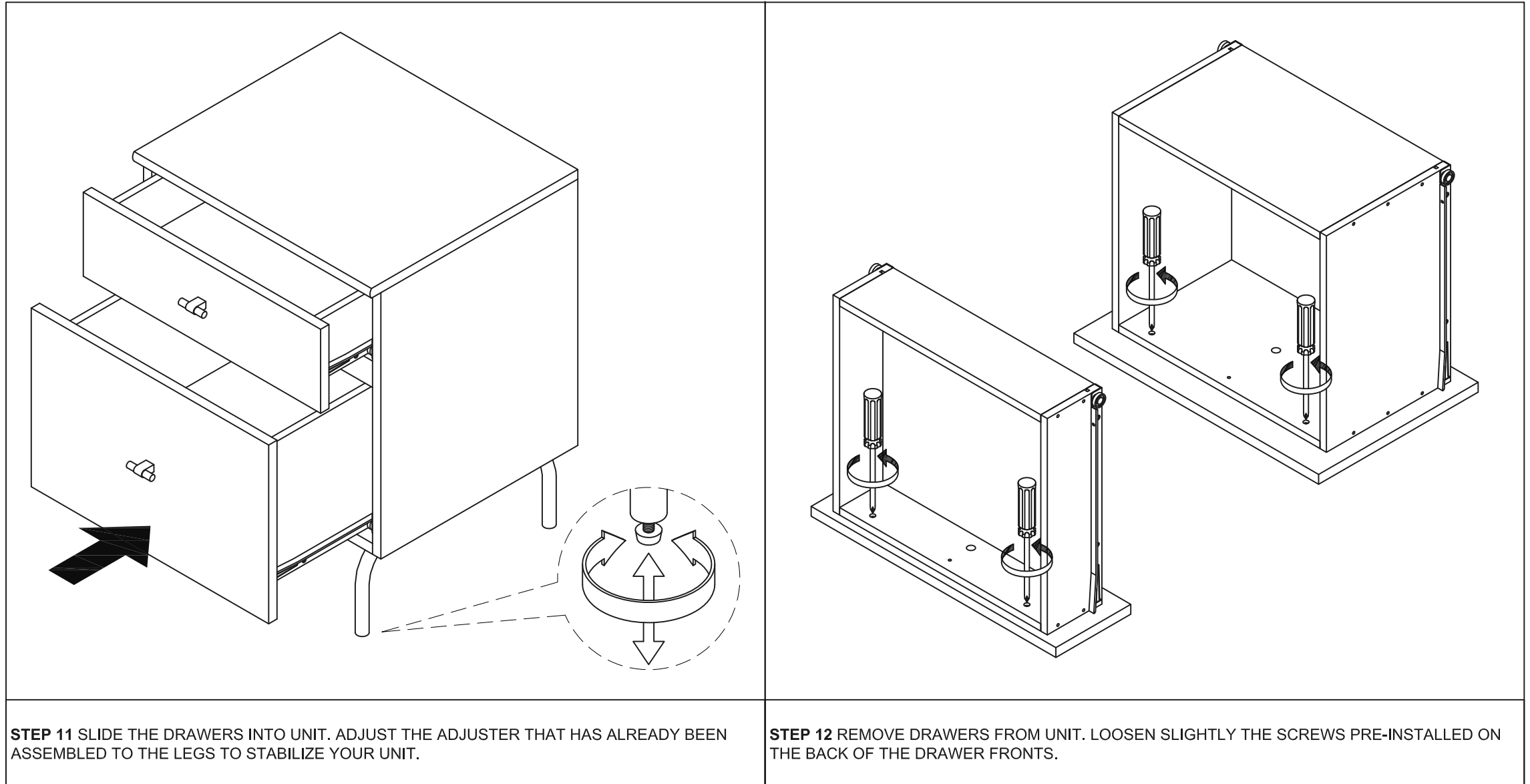
PREPARATION

Before beginning assembly of product, make sure all parts are present. Compare parts with package contents list and hardware contents list.

If any part is missing or damaged, do not attempt to assemble the product.

Estimated Assembly Time: 60 minutes.

Tools Required for Assembly : Phillips Screwdriver



STEP 11 SLIDE THE DRAWERS INTO UNIT. ADJUST THE ADJUSTER THAT HAS ALREADY BEEN ASSEMBLED TO THE LEGS TO STABILIZE YOUR UNIT.

STEP 12 REMOVE DRAWERS FROM UNIT. LOOSEN SLIGHTLY THE SCREWS PRE-INSTALLED ON THE BACK OF THE DRAWER FRONTS.

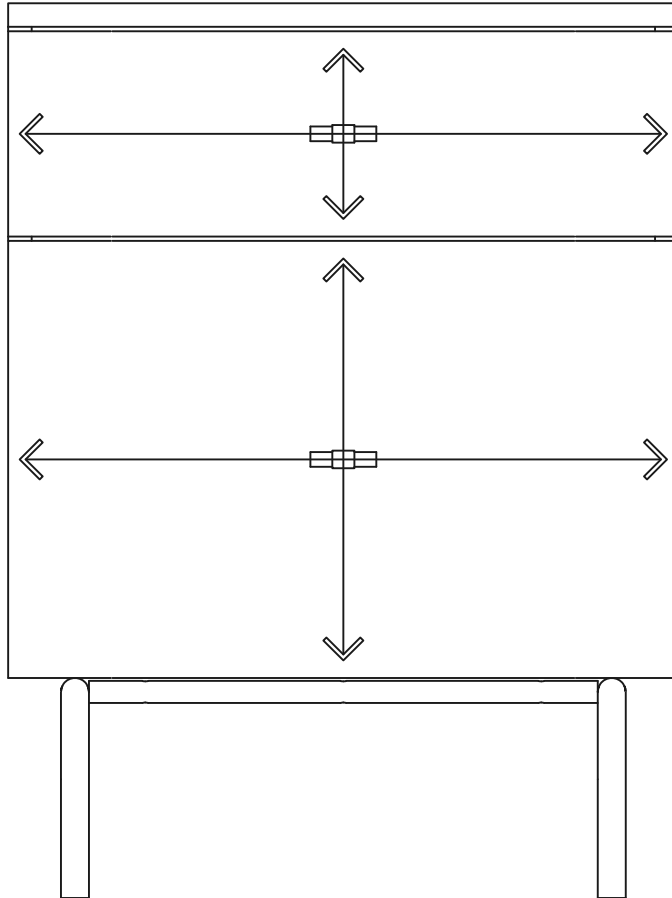
PREPARATION

Before beginning assembly of product, make sure all parts are present. Compare parts with package contents list and hardware contents list.

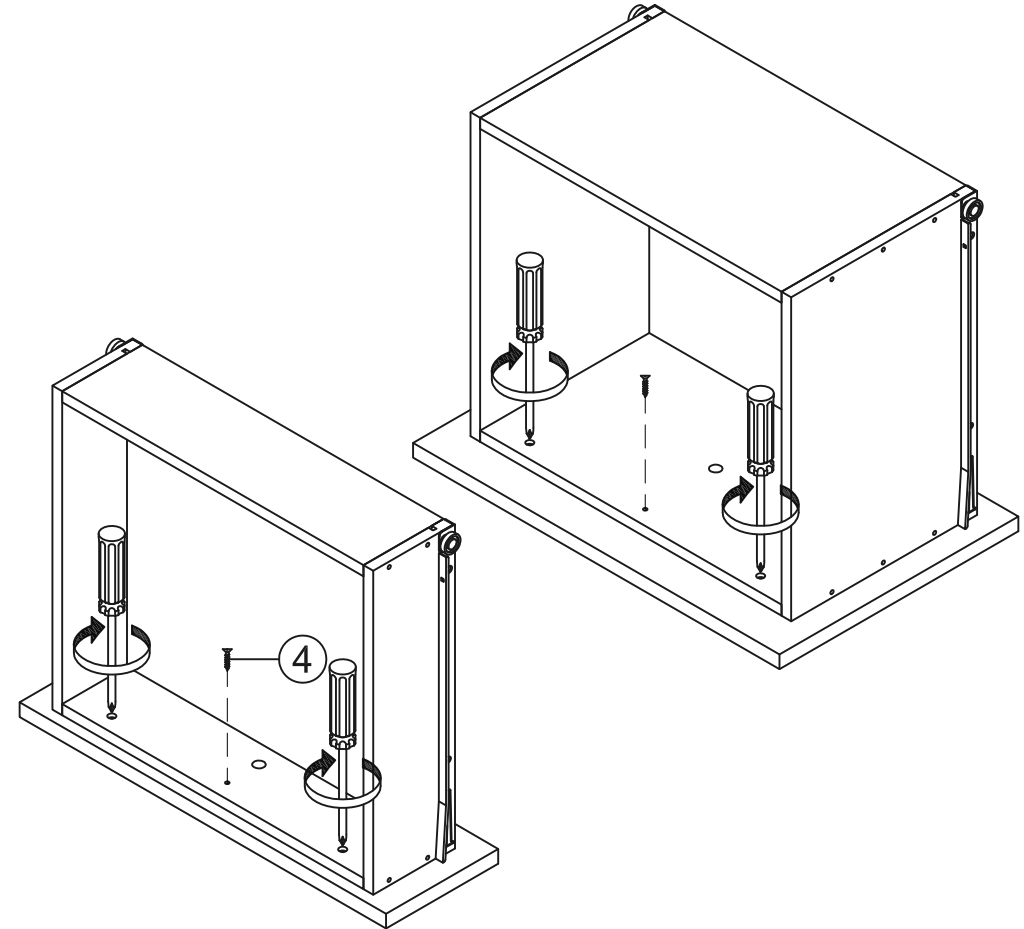
If any part is missing or damaged, do not attempt to assemble the product.

Estimated Assembly Time: 60 minutes.

Tools Required for Assembly : Phillips Screwdriver



STEP 13 INSERT THE DRAWER INTO THE UNIT, THEN ADJUST THE DRAWER FRONT PANEL LEFT OR RIGHT AND UP OR DOWN UNTIL THE DRAWER GAPS LOOK PROPORTIONAL.



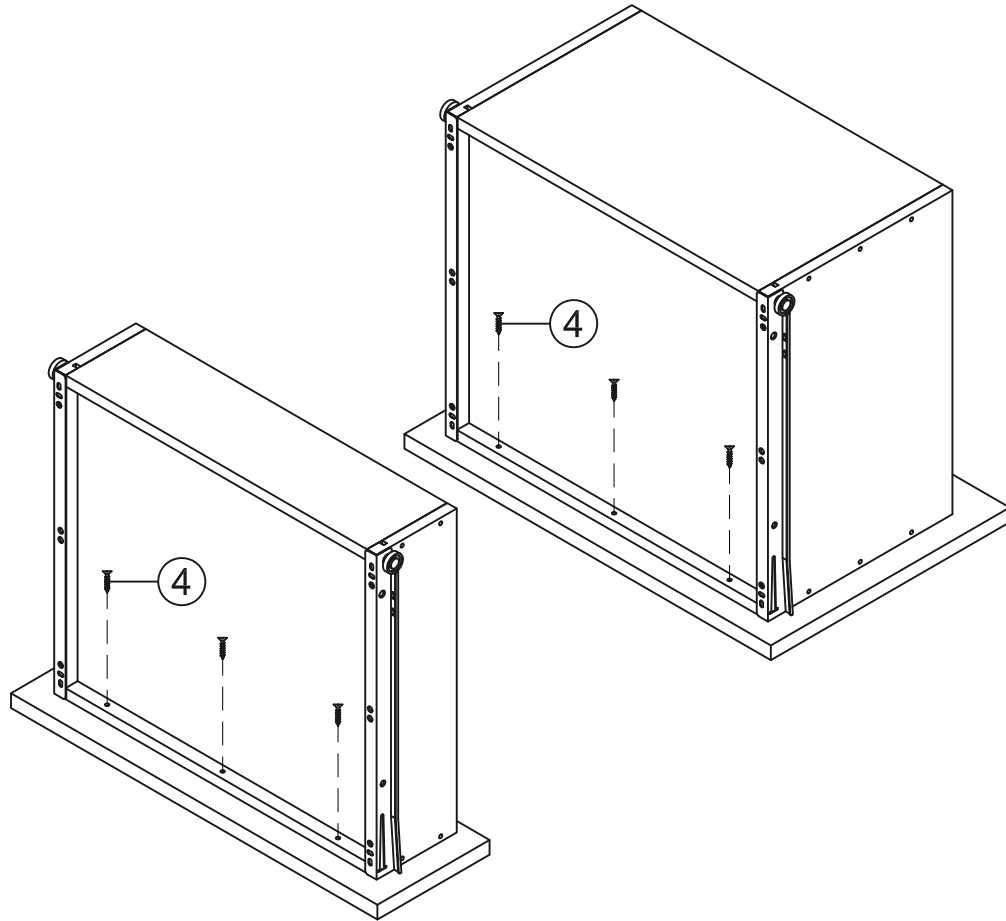
STEP 14 PULL THE DRAWER OPEN SLOWLY AND RE-TIGHTEN THE SCREWS FROM STEP 12.

PREPARATION

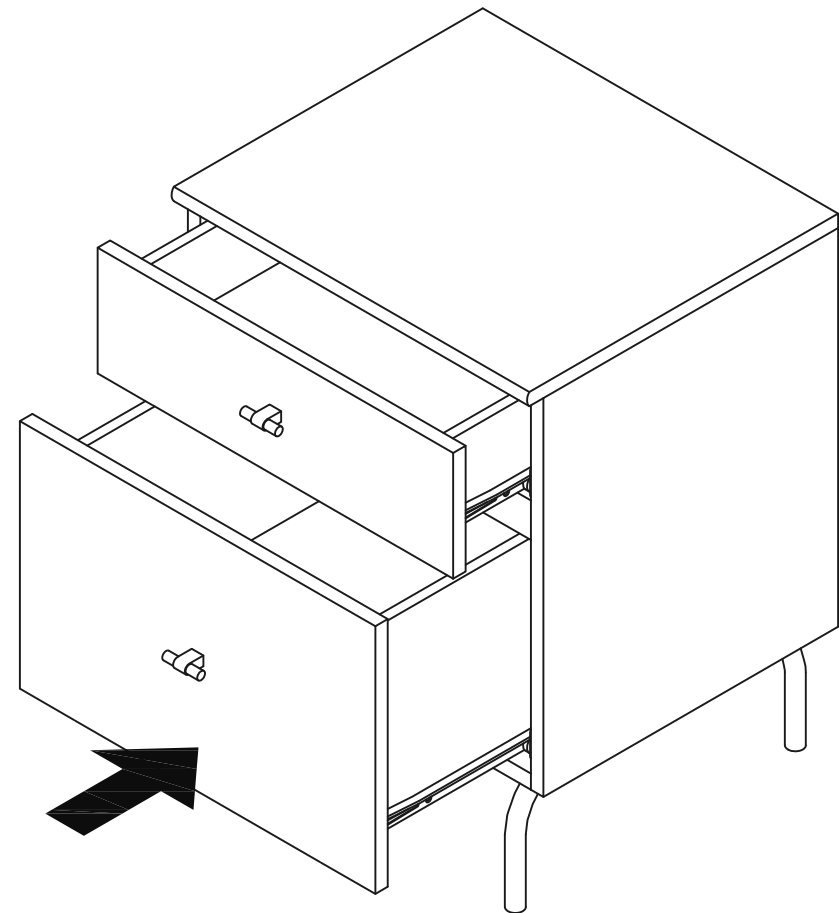
Before beginning assembly of product, make sure all parts are present. Compare parts with package contents list and hardware contents list.
If any part is missing or damaged, do not attempt to assemble the product.

Estimated Assembly Time: 60 minutes.

Tools Required for Assembly : Phillips Screwdriver



STEP 15 MAKE SURE THE FRONT PANEL DOES NOT MOVE AND LOCK THE DRAWER FRONT PANEL INTO POSITION WITH 3/4" FLAT HEAD SCREWS.



STEP 16 SLIDE THE DRAWERS INTO UNIT.