

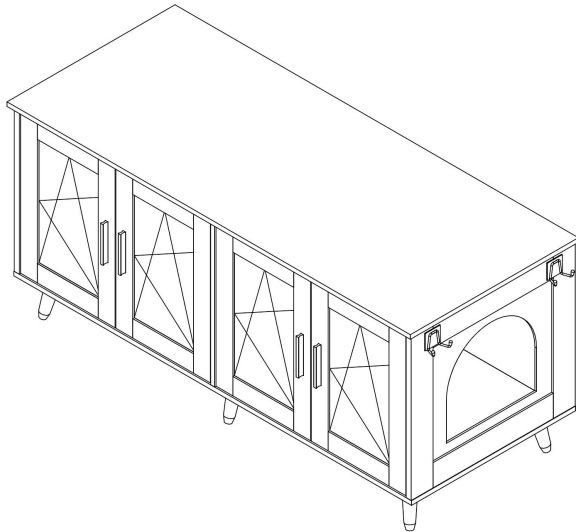
WOOD CAT LITTER BOX ENCLOSURES

USER MANUAL

We continue to be committed to provide you tools with competitive price. "Save Half", "Half Price" or any other similar expressions used by us only represents an estimate of savings you might benefit from buying certain tools with us compared to the major top brands and does not necessarily mean to cover all categories of tools offered by us. You are kindly reminded to verify carefully when you are placing an order with us if you are actually saving half in comparison with the top major brands.

WOOD CAT LITTER BOX ENCLOSURES

TOUGH TOOLS, HALF PRICE



NEED HELP? CONTACT US!

Have product questions? Need technical support? Please feel free to contact us:

This is the original instruction, please read all manual instructions carefully before operating. We reserve a clear interpretation of our user manual. The appearance of the product shall be subject to the product you received. Please forgive us that we won't inform you again if there are any technology or software updates on our product.

NOTICE : Please retain instructions for future needs.

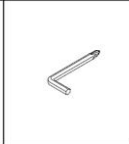
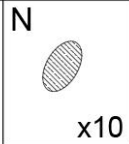
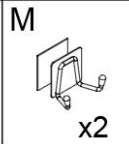
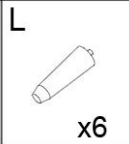
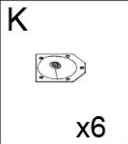
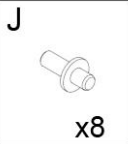
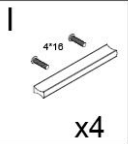
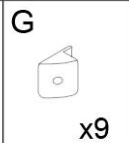
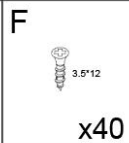
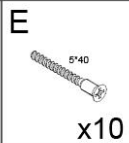
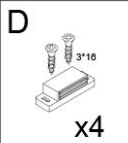
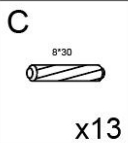
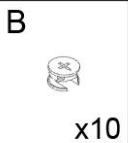
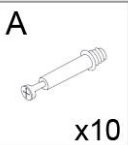
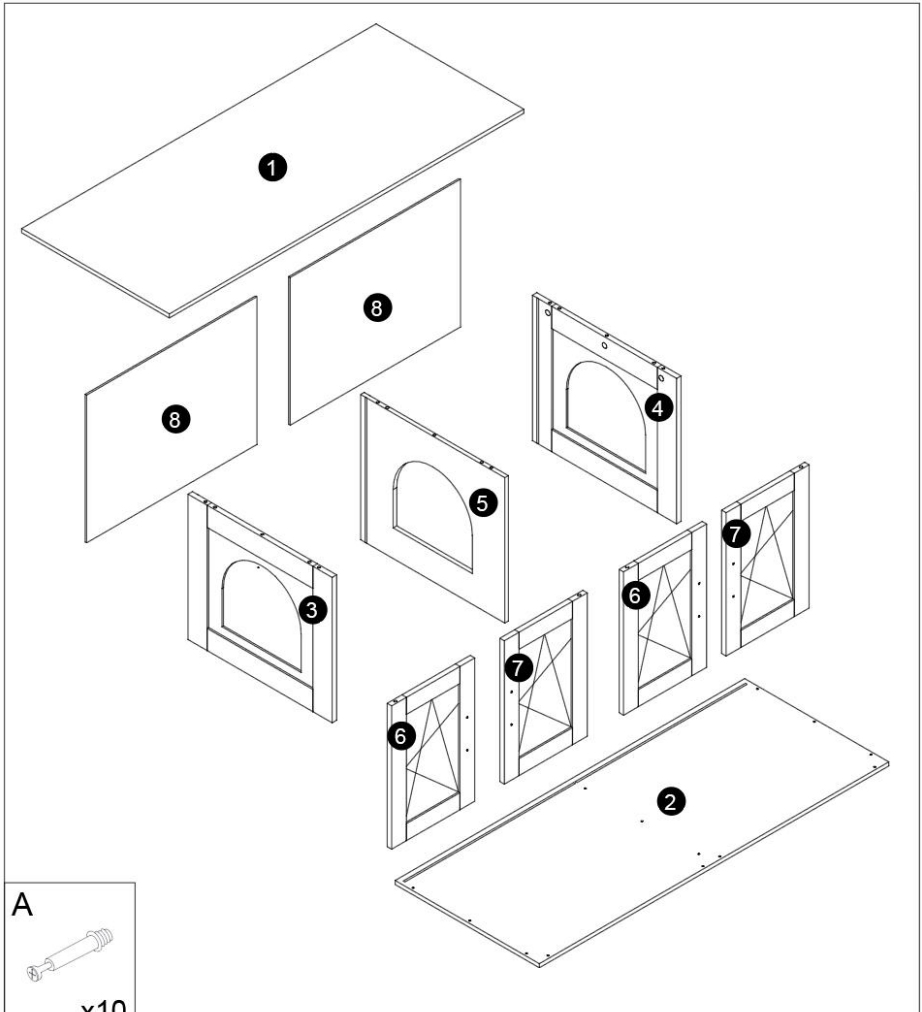
- Do not stand on or use any parts of this item as a step ladder.
- Fasten screws loosely during assembly. Do not firmly tighten the screws until the item is completely assembled.
- Double-check all the bolts, screws, and knobs have been firmly tightened before use.
- To prevent items fall apart, please regularly check if all bolts, screws, and knobs are secure.
- Do not use or store this item in the proximity of open flame or flammable/combustible chemicals.
- Be aware that some parts are heavy and have sharp edges when assembling and using.
- Do not use this item in a way inconsistent with the manufacturer's instructions as this could void the product warranty.
- This item is made of wood and may expand due to moisture.
- When using an electric screwdriver for installation, pay attention to controlling the torque to avoid damaging the screws or the wood board.

SPECIFICATIONS

| | |
|----------------------------|----------------------|
| Product Size(Folded state) | 47.2 x 19.7 x 21.7in |
| Color | Nature |
| TOP Load Capacity | 150lb |
| Bottom Load Capacity | 100lb |

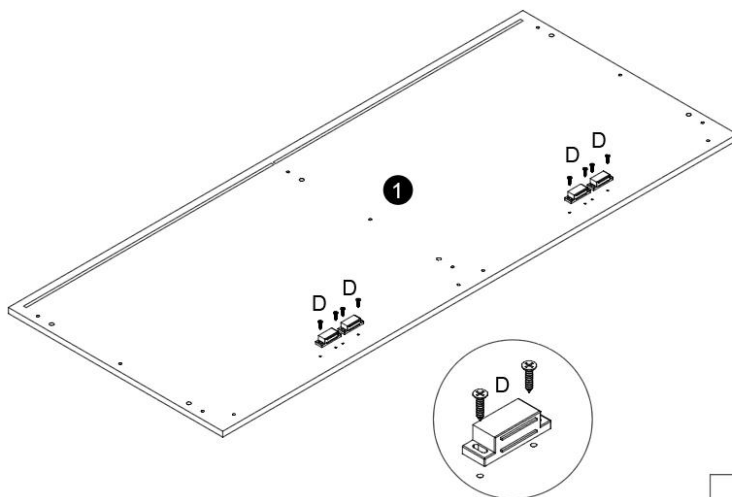
| | |
|----------------------------|----------------------|
| Product Size(Folded state) | 47.2 x 19.7 x 21.7in |
| Color | Black |
| TOP Load Capacity | 150lb |
| Bottom Load Capacity | 100lb |

Components



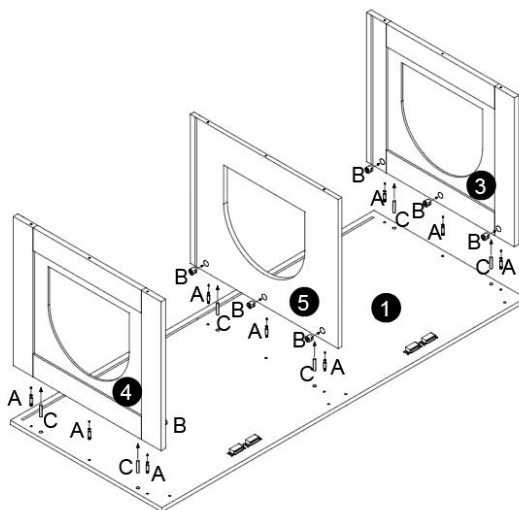
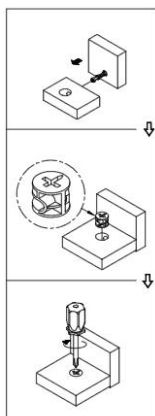
Assembly Instructions:

1



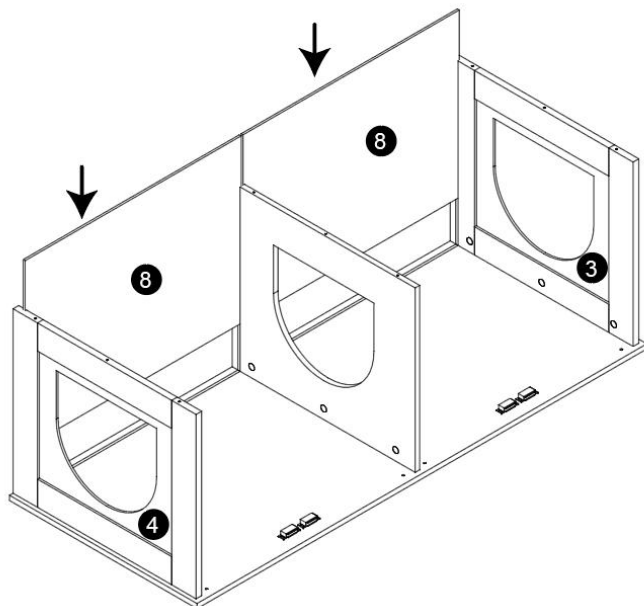
D*4

2

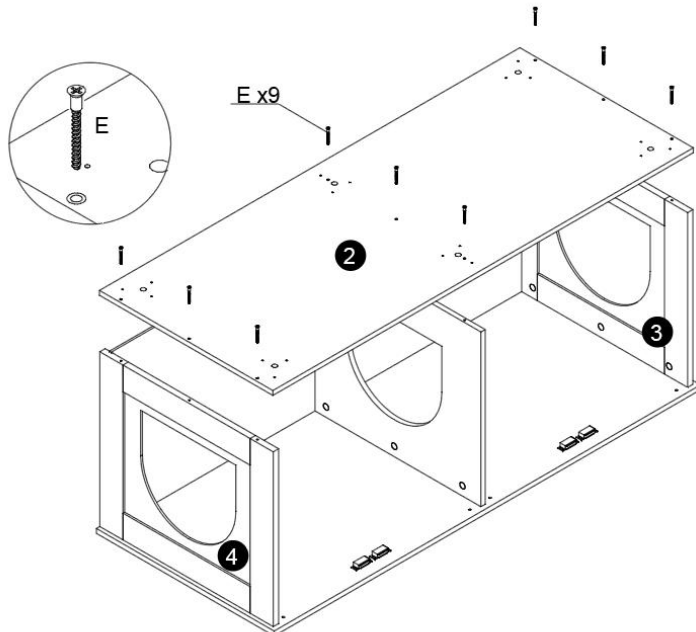


A*9
B*9
C*6

3

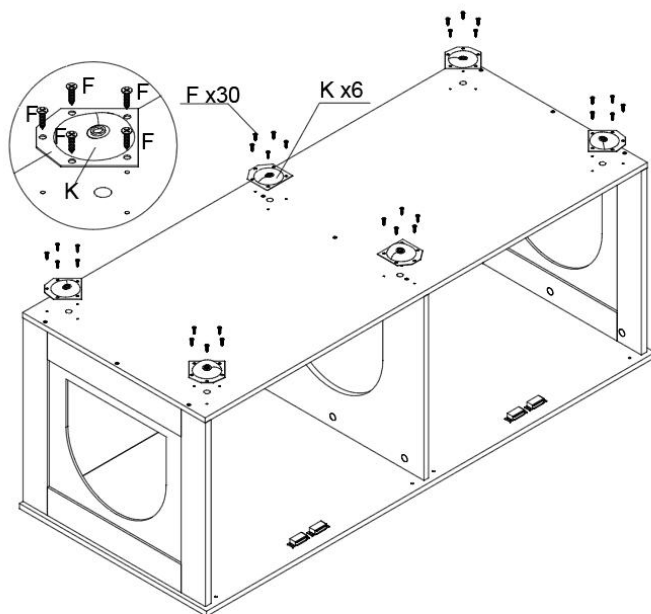


4



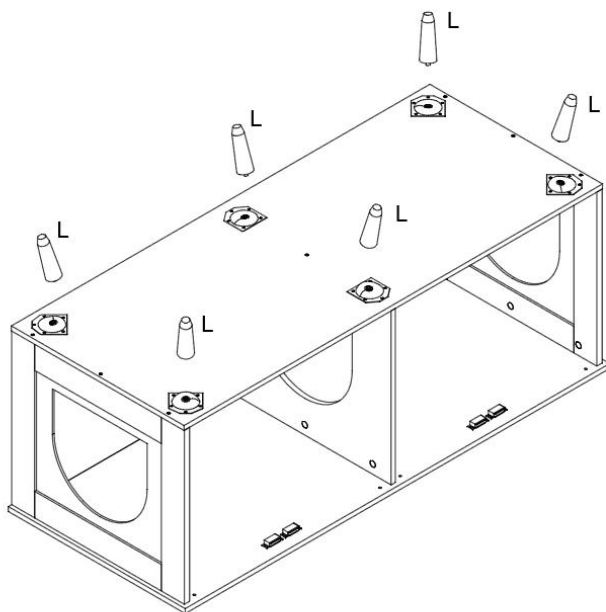
E*9

5



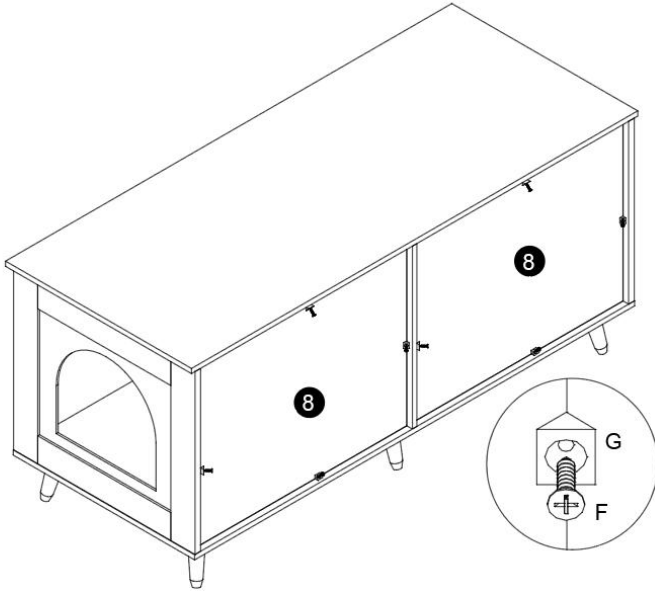
K*6
F*30

6



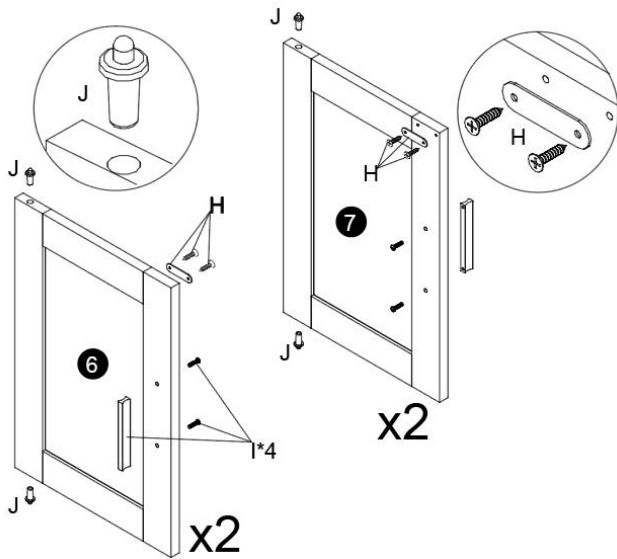
L*6

7



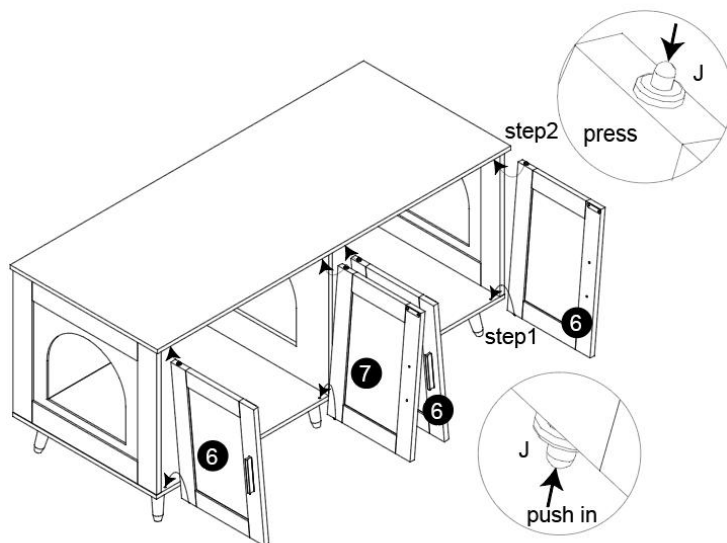
G*8
F*8

8

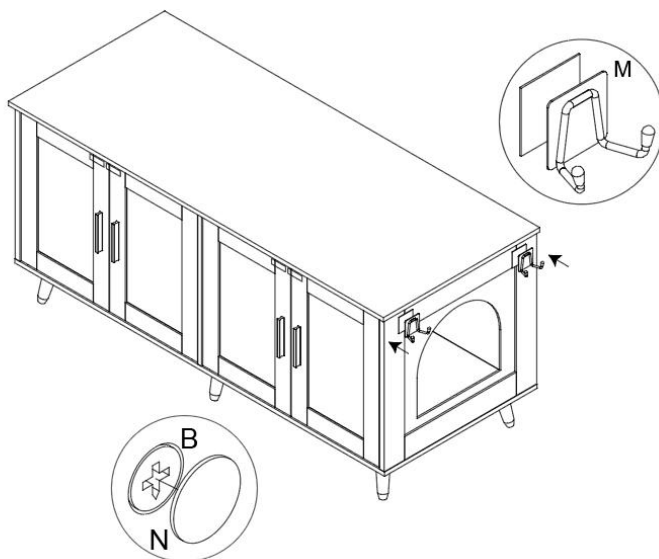


H*4
J*8
I*4

9



10



M*2
N*9

WOOD CAT KATTSKRÄP HÖLJEN

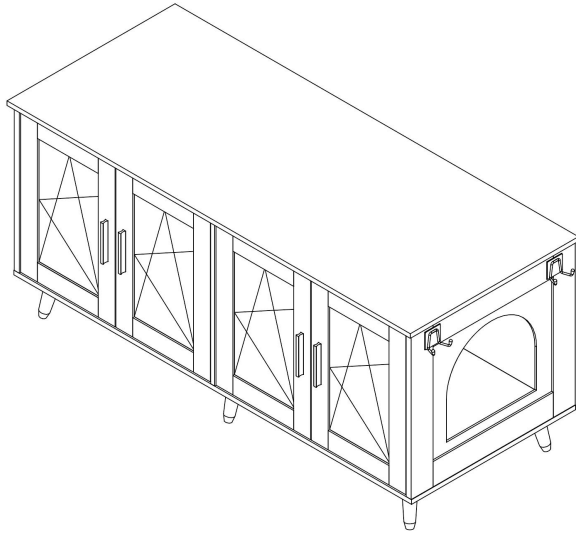
ANVÄNDARMANUAL

We continue to be committed to provide you tools with competitive price.

"Save Half", "Half Price" or any other similar expressions used by us only represents an estimate of savings you might benefit from buying certain tools with us compared to the major top brands and does not necessarily mean to cover all categories of tools offered by us. You are kindly reminded to verify carefully when you are placing an order with us if you are actually saving half in comparison with the top major brands.

WOOD CAT LITTER BOX ENCLOSURES

TOUGH TOOLS, HALF PRICE



NEED HELP? CONTACT US!

Have product questions? Need technical support? Please feel free to contact us

This is the original instruction, please read all manual instructions carefully before operating. We reserve a clear interpretation of our user manual. The appearance of the product shall be subject to the product you received. Please forgive us that we won't inform you again if there are any technology or software updates on our product.

ANMÄRKNING : Spara instruktionerna för framtida behov.

- Stå inte på eller använd inte några delar av detta föremål som en stege.
- Skruva fast skruvarna löst under monteringen. Dra inte åt skruvarna ordentligt förrän föremålet är helt monterat.
- Dubbelkolla att alla bultar, skruvar och knoppar har dragits åt ordentligt före användning.
- För att förhindra att föremål faller sönder, kontrollera regelbundet om alla bultar, skruvar och knoppar sitter fast.
- Använd eller förvara inte detta föremål i närheten av öppen låga eller brandfarliga/brännbara kemikalier.
- Tänk på att vissa delar är tunga och har vassa kanter vid montering och användning.
- Använd inte denna produkt på ett sätt som inte överensstämmer med tillverkarens instruktioner eftersom detta kan göra produktgarantin ogiltig.
- Denna artikel är gjord av trä och kan expandera på grund av fukt.
- När du använder en elektrisk skruvmejsel för installation, var uppmärksam på att kontrollera vridmomentet för att undvika att skada skruvarna eller träskivan.

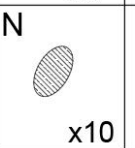
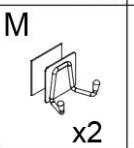
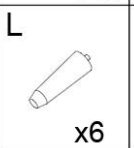
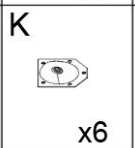
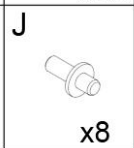
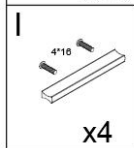
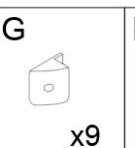
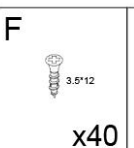
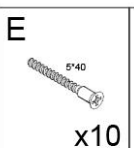
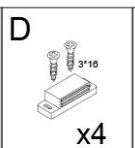
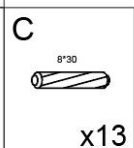
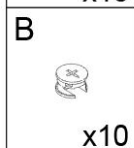
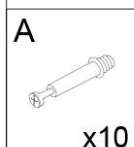
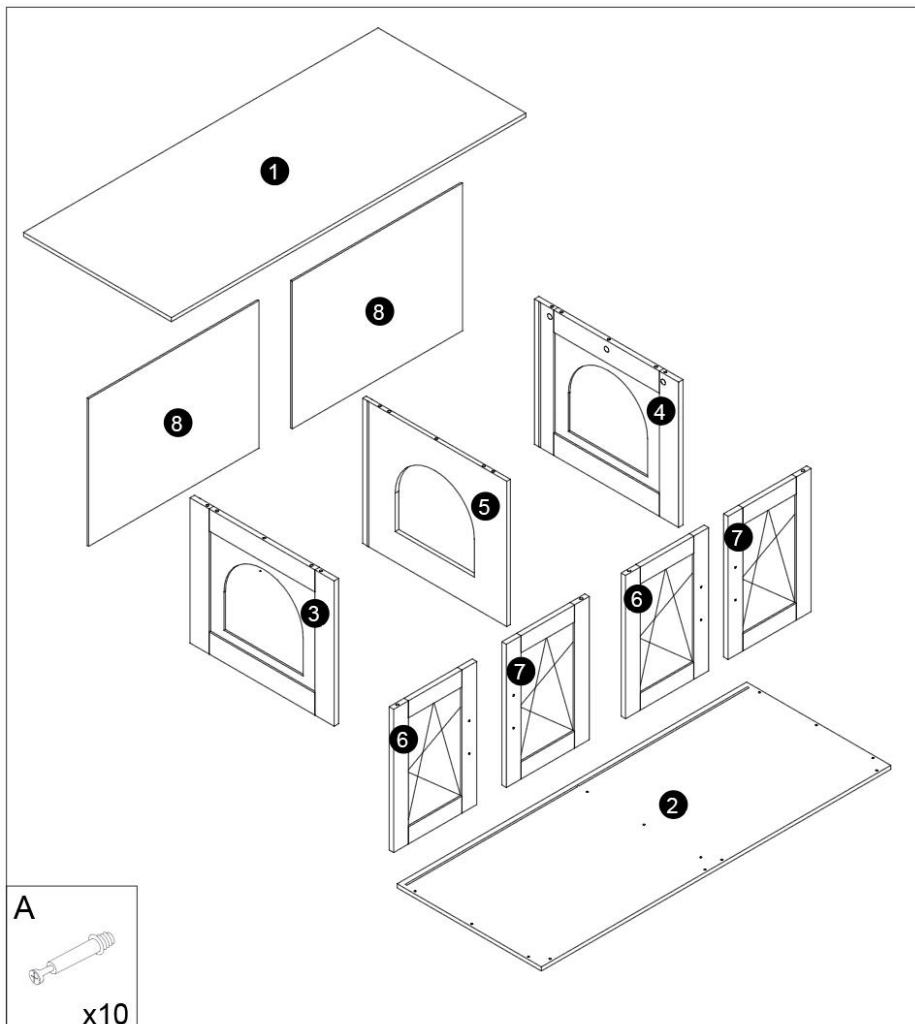
SPECIFIKATIONER

| | |
|---------------------------------------|------------------------|
| Produktstorlek (F gammalt tillstånd) | 47,2 x 19,7 x 21,7 tum |
| Färg | Natur |
| TOP Lastkapacitet | 150 lb |
| Bottenlastkapacitet | 100 lb |

| | |
|---------------------------------------|------------------------|
| Produktstorlek (F gammalt tillstånd) | 47,2 x 19,7 x 21,7 tum |
| Färg | Svart |

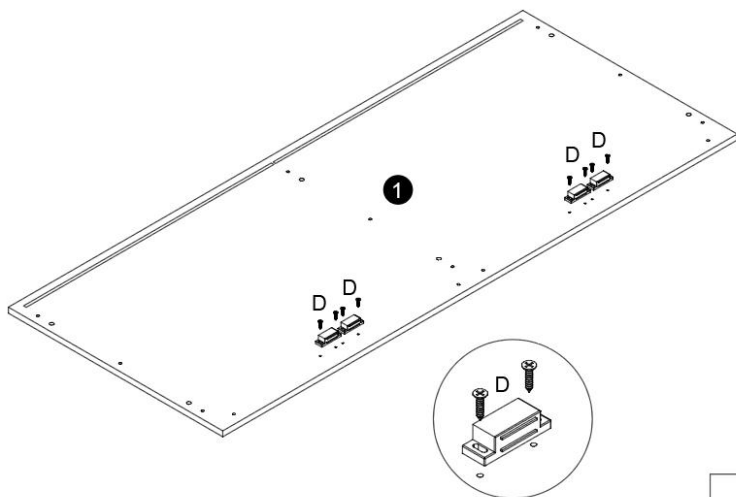
| | |
|---------------------|--------|
| TOP Lastkapacitet | 150 lb |
| Bottenlastkapacitet | 100 lb |

Komponenter



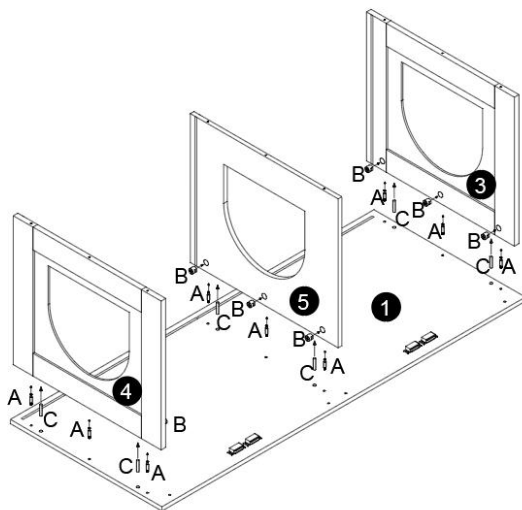
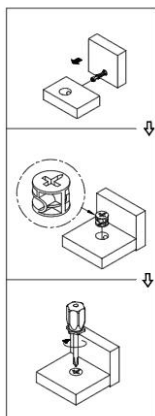
Monteringsanvisningar:

1



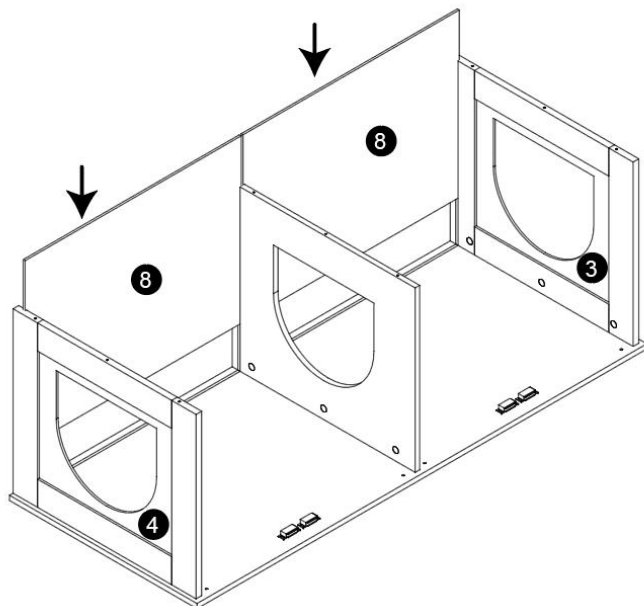
D*4

2

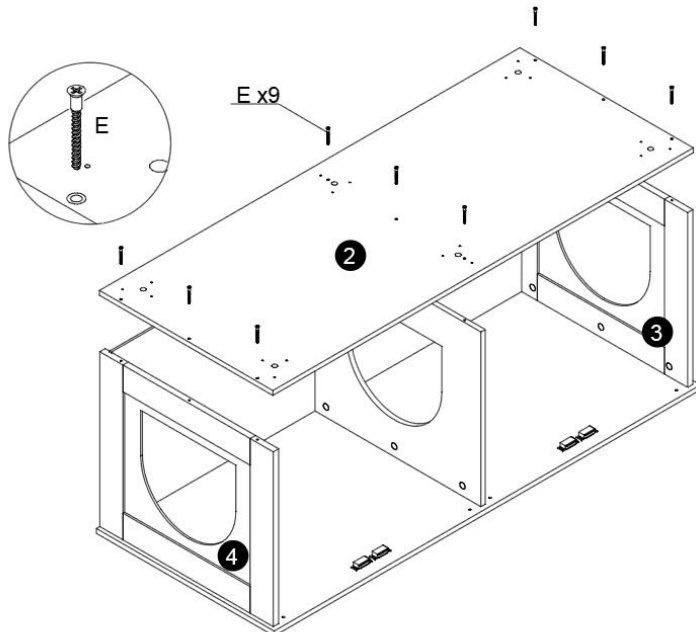


A*9
B*9
C*6

3

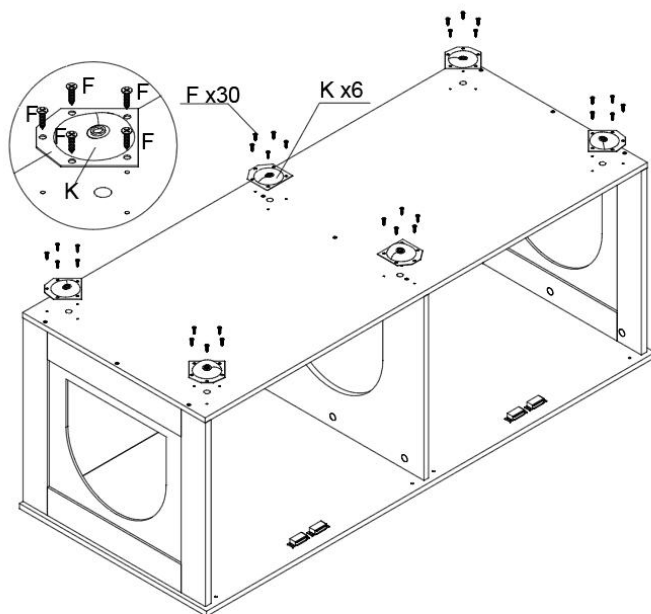


4



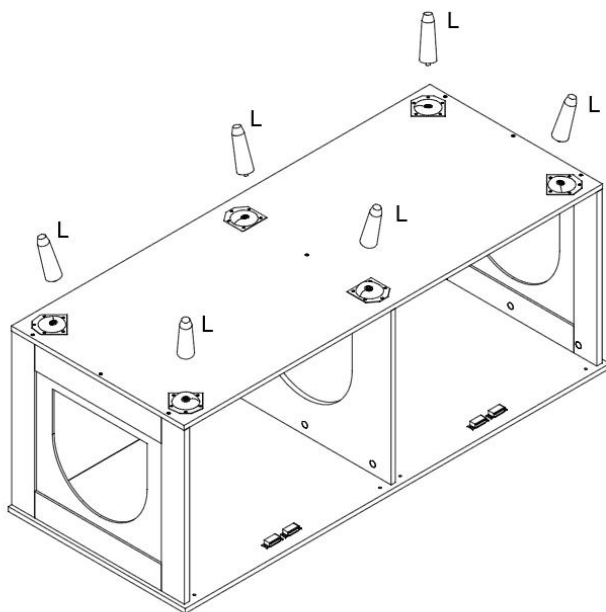
E*9

5



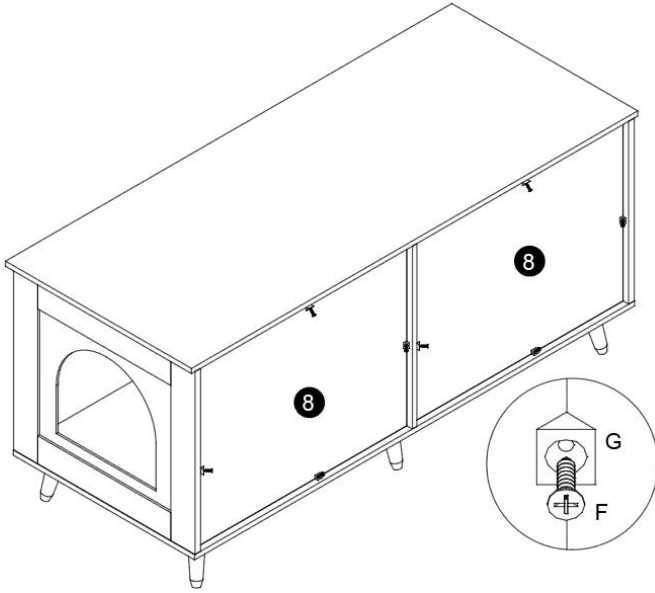
K*6
F*30

6



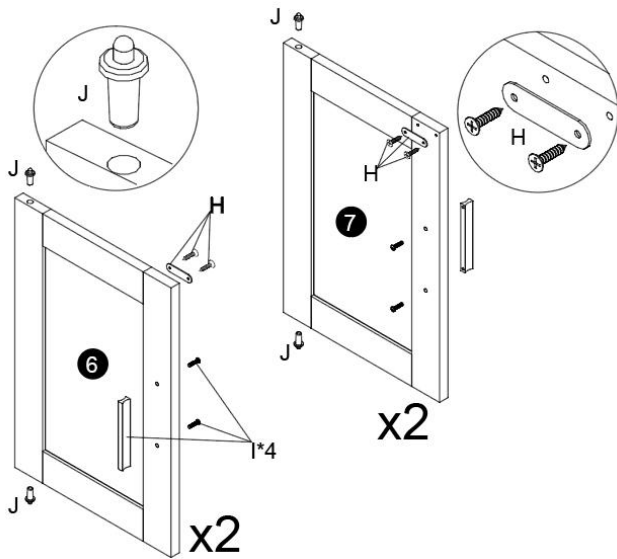
L*6

7



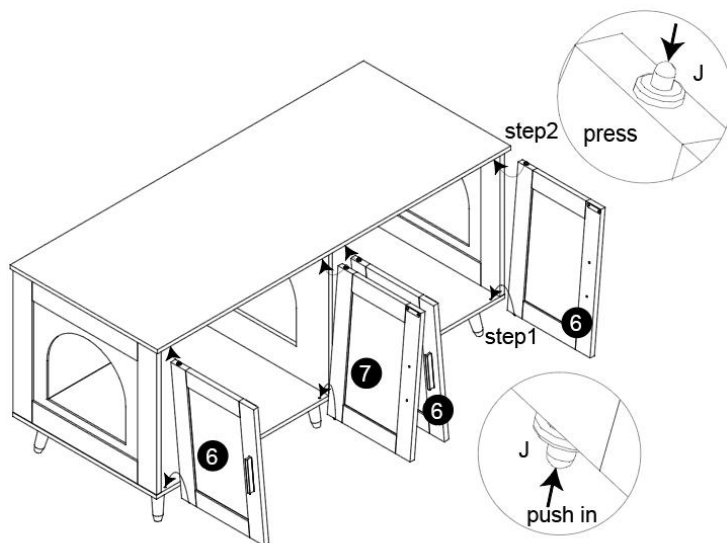
G*8
F*8

8

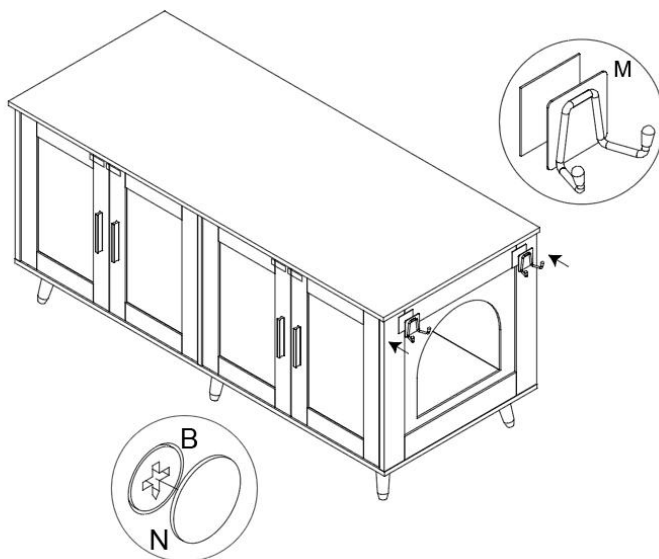


H*4
J*8
I*4

9



10



M*2
N*9

CAJAS DE ARENA PARA GATOS DE MADERA

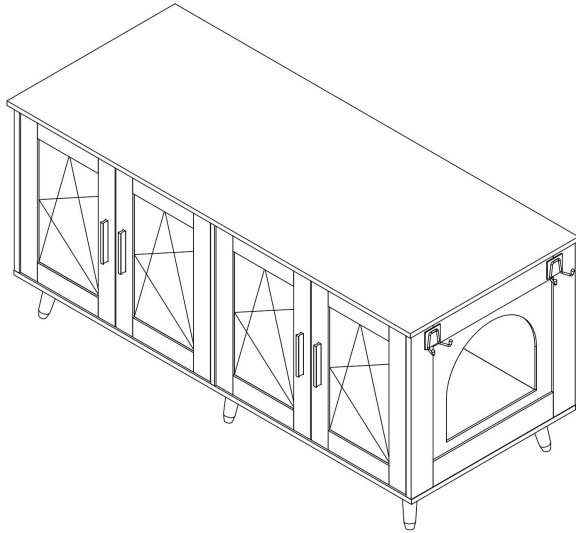
MANUAL DE USUARIO

We continue to be committed to provide you tools with competitive price.

"Save Half", "Half Price" or any other similar expressions used by us only represents an estimate of savings you might benefit from buying certain tools with us compared to the major top brands and does not necessarily mean to cover all categories of tools offered by us. You are kindly reminded to verify carefully when you are placing an order with us if you are actually saving half in comparison with the top major brands.

WOOD CAT LITTER BOX ENCLOSURES

TOUGH TOOLS, HALF PRICE



NEED HELP? CONTACT US!

Have product questions? Need technical support? Please feel free to contact us

This is the original instruction, please read all manual instructions carefully before operating. We reserve a clear interpretation of our user manual. The appearance of the product shall be subject to the product you received. Please forgive us that we won't inform you again if there are any technology or software updates on our product.

AVISO : Conserve las instrucciones para futuras necesidades.

- No se pare ni utilice ninguna parte de este artículo como escalera de mano.
- Apriete los tornillos sin apretar durante el montaje. No apriete firmemente los tornillos hasta que el artículo esté completamente ensamblado.
- Verifique que todos los pernos, tornillos y perillas estén firmemente apretados antes de su uso.
- Para evitar que los artículos se desmoronen, verifique periódicamente si todos los pernos, tornillos y perillas están seguros.
- No utilice ni almacene este artículo cerca de llamas abiertas o productos químicos inflamables/combustibles.
- Tenga en cuenta que algunas piezas son pesadas y tienen bordes afilados durante el montaje y uso.
- No utilice este artículo de forma que no cumpla con las instrucciones del fabricante, ya que esto podría anular la garantía del producto.
- Este artículo está hecho de madera y puede expandirse debido a la humedad.
- Cuando utilice un destornillador eléctrico para la instalación, preste atención a controlar el par para evitar dañar los tornillos o la tabla de madera.

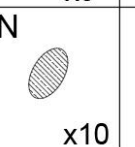
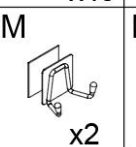
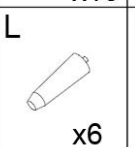
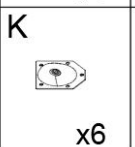
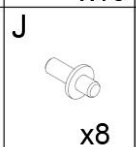
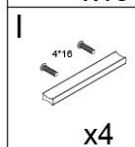
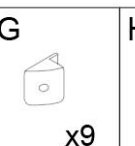
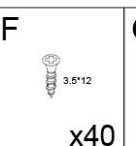
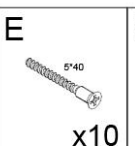
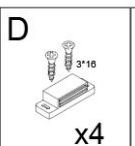
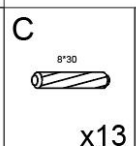
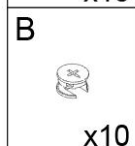
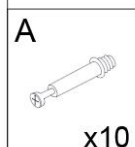
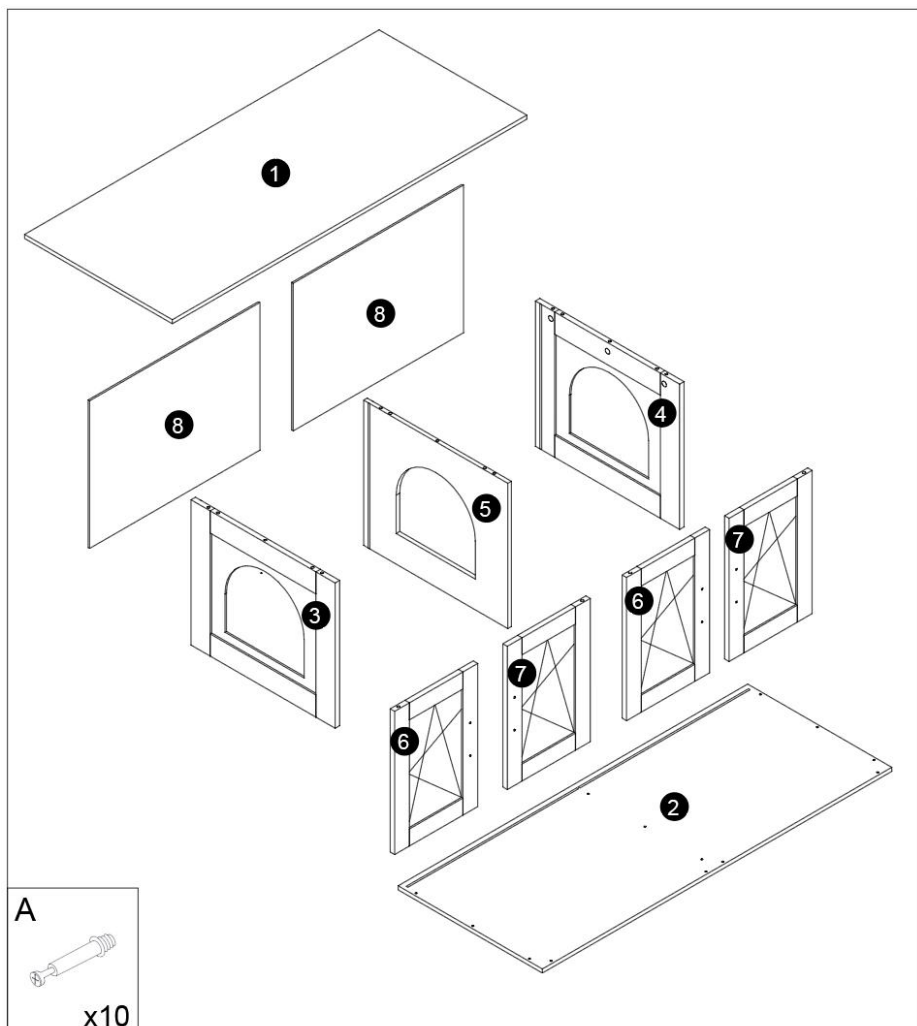
ESPECIFICACIONES

| | |
|--|-----------------------------|
| Tamaño del producto (estado plegado) | 47,2 x 19,7 x 21,7 pulgadas |
| Color | Naturaleza |
| Capacidad de carga SUPERIOR | 150 libras |
| Capacidad de carga inferior | 100 libras |

| | |
|--|-----------------------------|
| Tamaño del producto (estado plegado) | 47,2 x 19,7 x 21,7 pulgadas |
| Color | Negro |

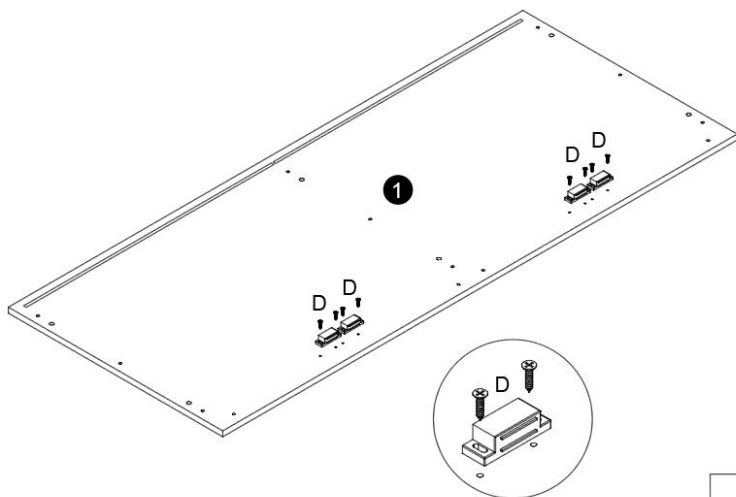
| | |
|-----------------------------|------------|
| Capacidad de carga SUPERIOR | 150 libras |
| Capacidad de carga inferior | 100 libras |

Componentes



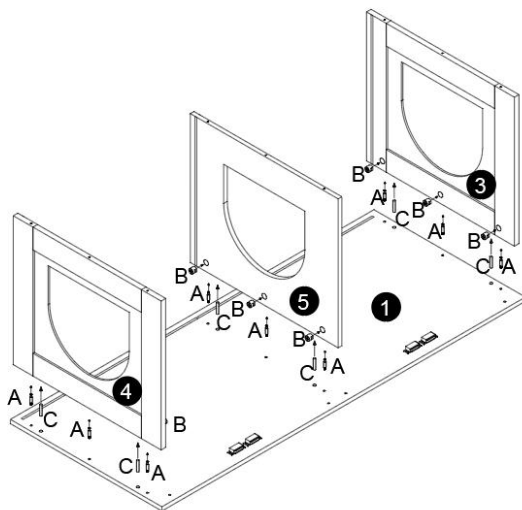
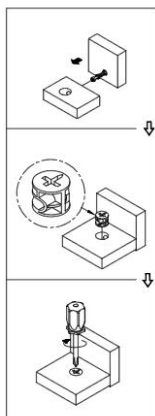
Instrucciones de montaje:

1



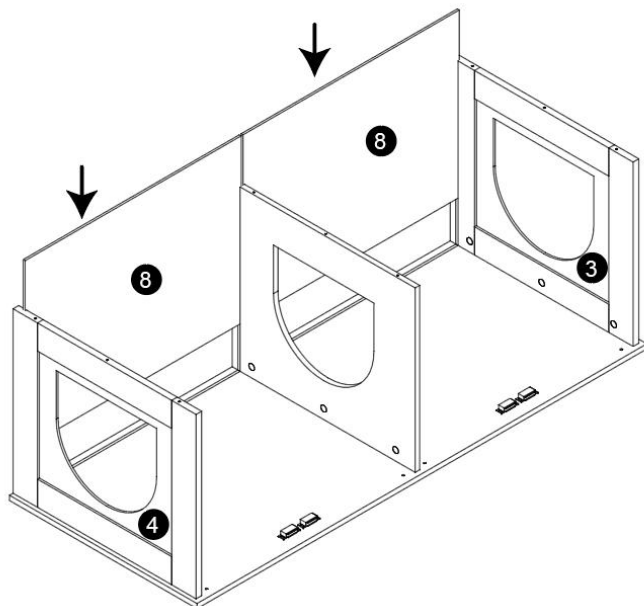
D*4

2

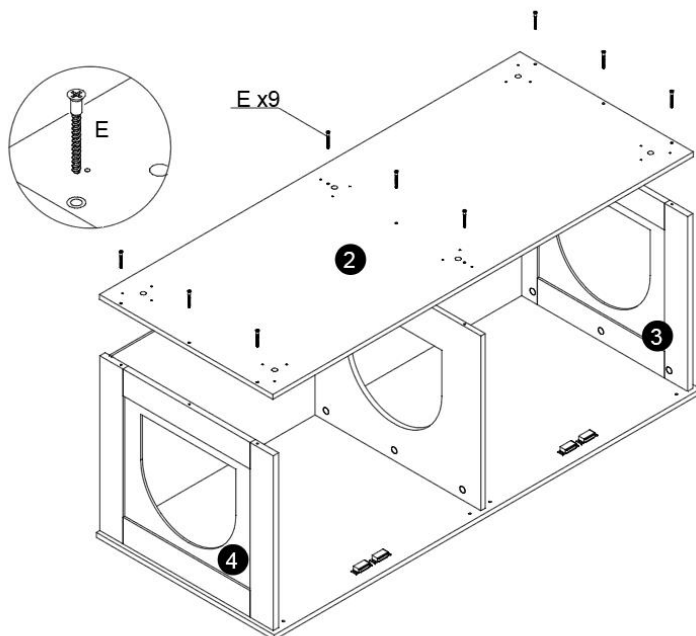


A*9
B*9
C*6

3

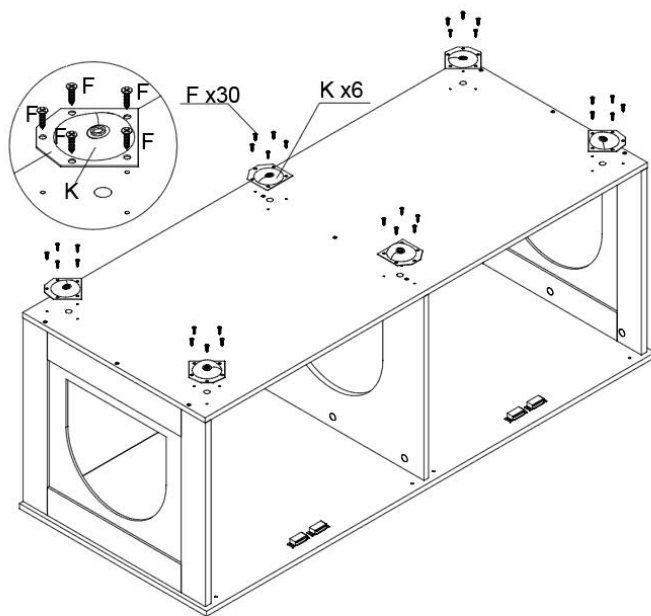


4



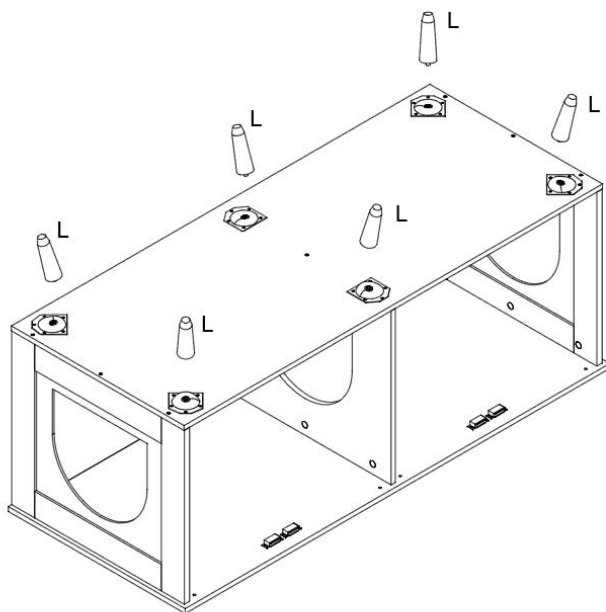
E*9

5



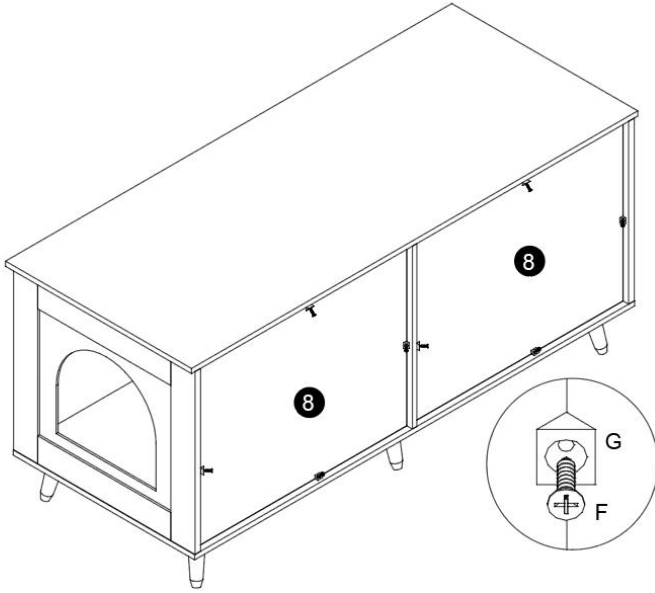
K*6
F*30

6



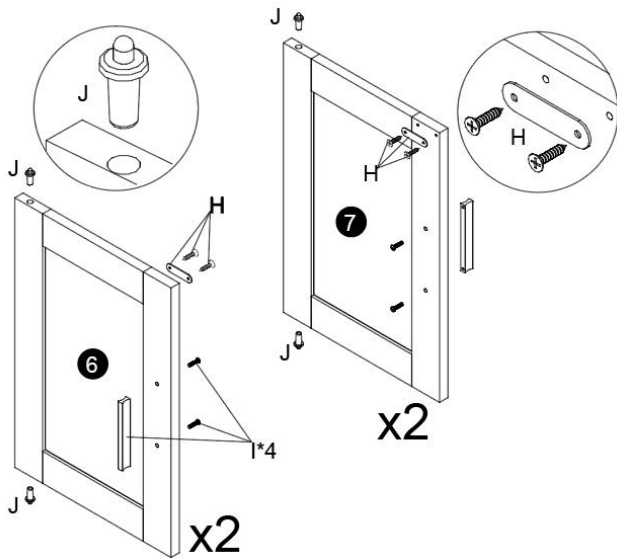
L*6

7



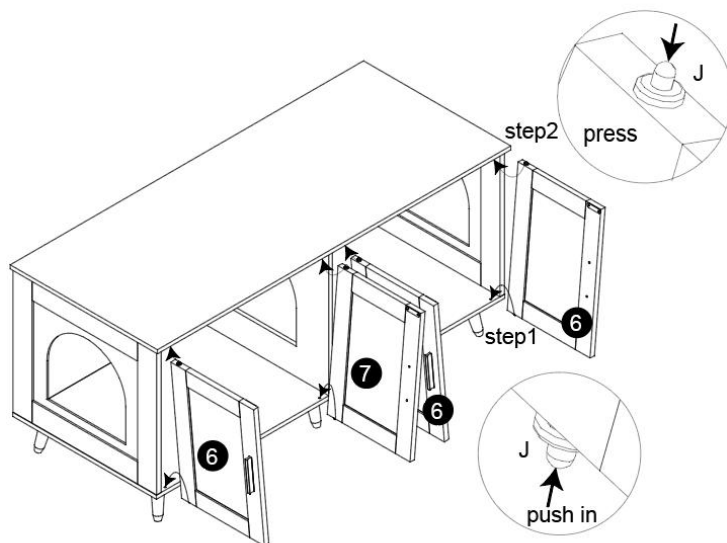
G*8
F*8

8

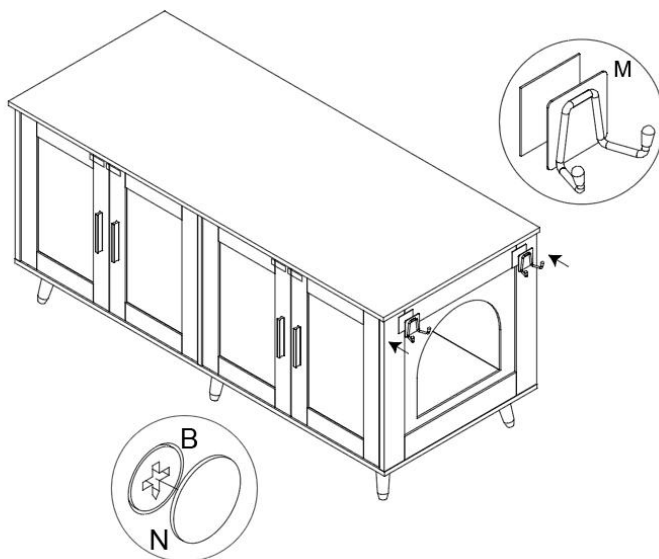


H*4
J*8
I*4

9



10



M*2
N*9

RECINZIONI PER LETTIERA PER GATTI IN LEGNO

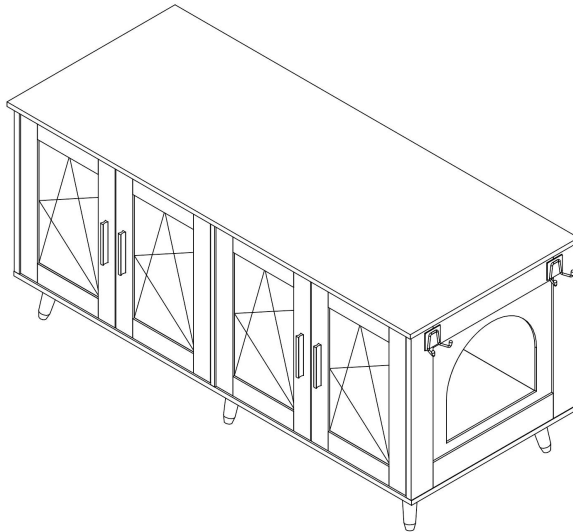
MANUALE D'USO

We continue to be committed to provide you tools with competitive price.

"Save Half", "Half Price" or any other similar expressions used by us only represents an estimate of savings you might benefit from buying certain tools with us compared to the major top brands and does not necessarily mean to cover all categories of tools offered by us. You are kindly reminded to verify carefully when you are placing an order with us if you are actually saving half in comparison with the top major brands.

WOOD CAT LITTER BOX ENCLOSURES

TOUGH TOOLS, HALF PRICE



NEED HELP? CONTACT US!

Have product questions? Need technical support? Please feel free to contact us

This is the original instruction, please read all manual instructions carefully before operating. We reserve a clear interpretation of our user manual. The appearance of the product shall be subject to the product you received. Please forgive us that we won't inform you again if there are any technology or software updates on our product.

AVVISO : conservare le istruzioni per esigenze future.

- Non salire o utilizzare alcuna parte di questo articolo come scala a pioli.
- Fissare le viti senza stringere durante il montaggio. Non serrare saldamente le viti finché l'articolo non è completamente assemblato.
- Ricontrollare che tutti i bulloni, le viti e le manopole siano stati serrati saldamente prima dell'uso.
- Per evitare che gli oggetti si rompano, controlla regolarmente che tutti i bulloni, le viti e le manopole siano fissati.
- Non utilizzare o conservare questo articolo in prossimità di fiamme libere o sostanze chimiche infiammabili/combustibili.
- Tenere presente che alcune parti sono pesanti e presentano spigoli vivi durante il montaggio e l'utilizzo.
- Non utilizzare questo articolo in modo non conforme alle istruzioni del produttore poiché ciò potrebbe invalidare la garanzia del prodotto.
- Questo articolo è realizzato in legno e potrebbe espandersi a causa dell'umidità.
- Quando si utilizza un cacciavite elettrico per l'installazione, prestare attenzione al controllo della coppia per evitare di danneggiare le viti o la tavola di legno.

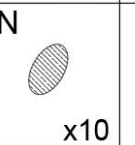
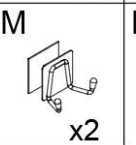
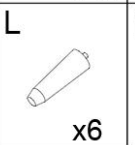
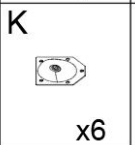
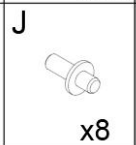
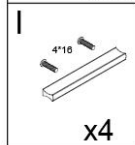
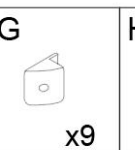
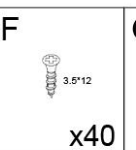
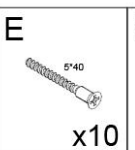
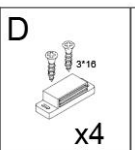
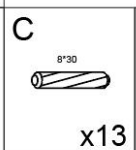
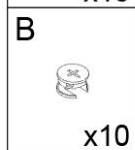
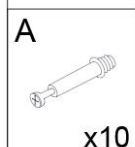
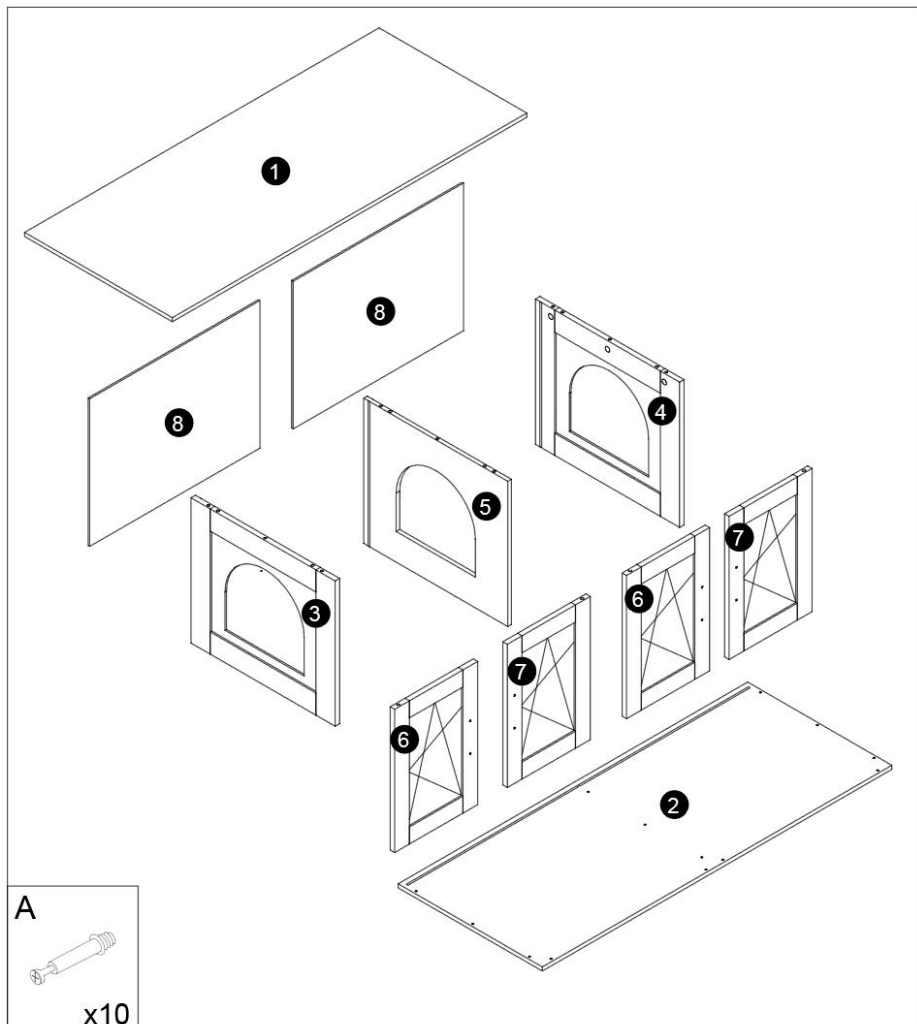
SPECIFICHE

| | |
|---|----------------------------|
| Dimensioni del prodotto (stato piegato) | 47,2 x 19,7 x 21,7 pollici |
| Colore | Natura |
| Capacità di carico SUPERIORE | 150 libbre |
| Capacità di carico inferiore | 100 libbre |

| | |
|---|----------------------------|
| Dimensioni del prodotto (stato piegato) | 47,2 x 19,7 x 21,7 pollici |
| Colore | Nero |

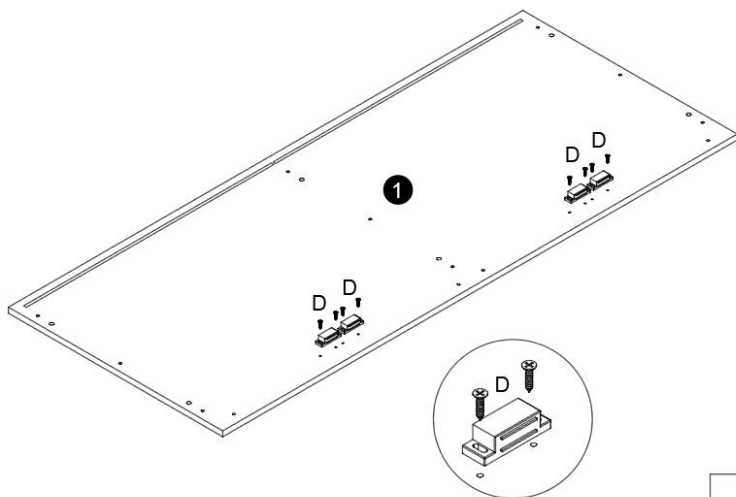
| | |
|------------------------------|------------|
| Capacità di carico SUPERIORE | 150 libbre |
| Capacità di carico inferiore | 100 libbre |

Componenti



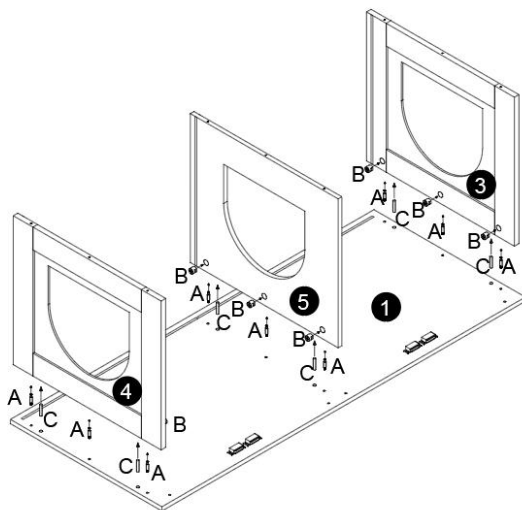
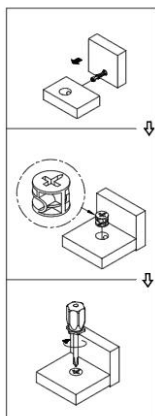
Istruzioni di montaggio:

1



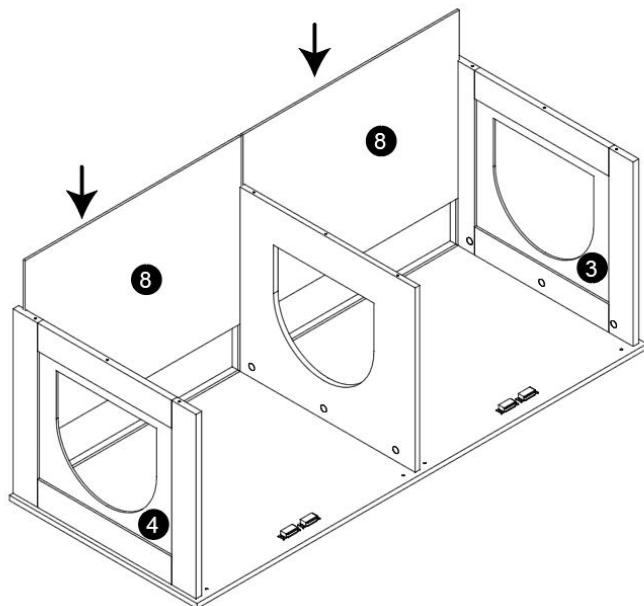
D*4

2

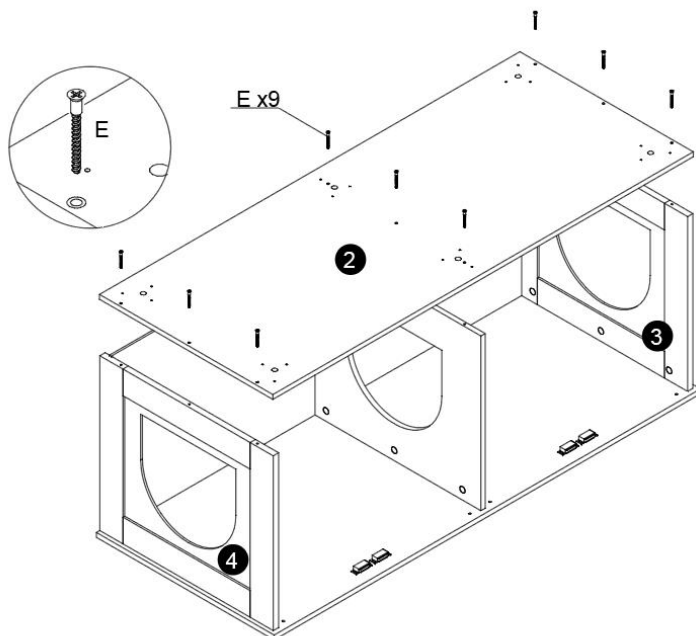


A*9
B*9
C*6

3

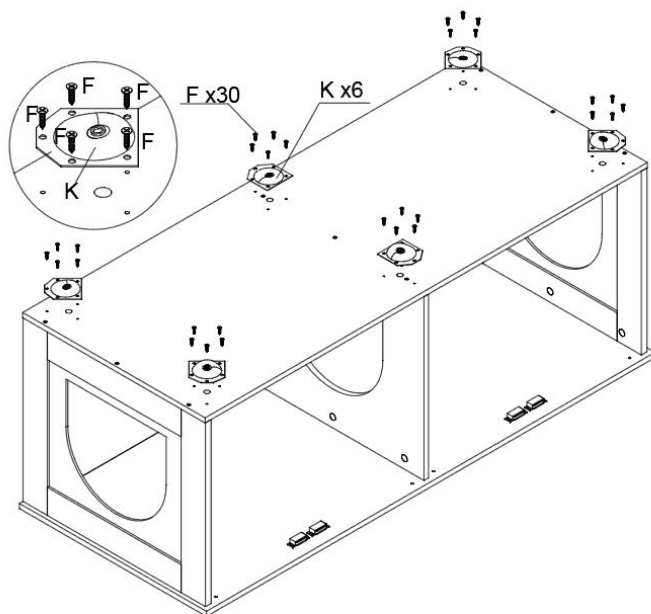


4



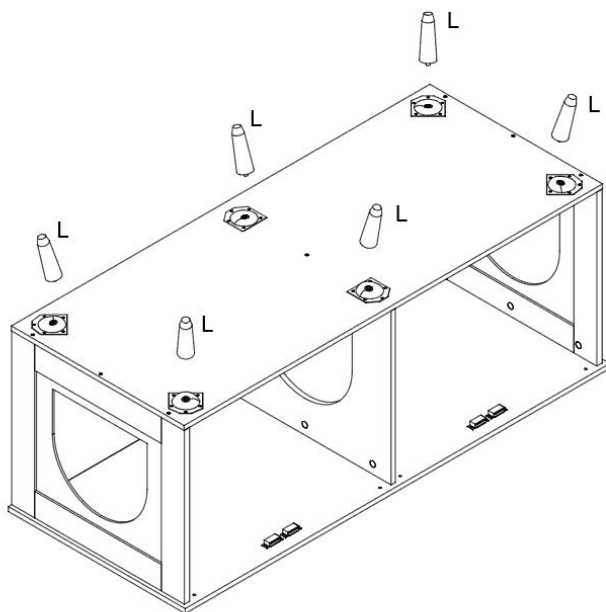
E*9

5



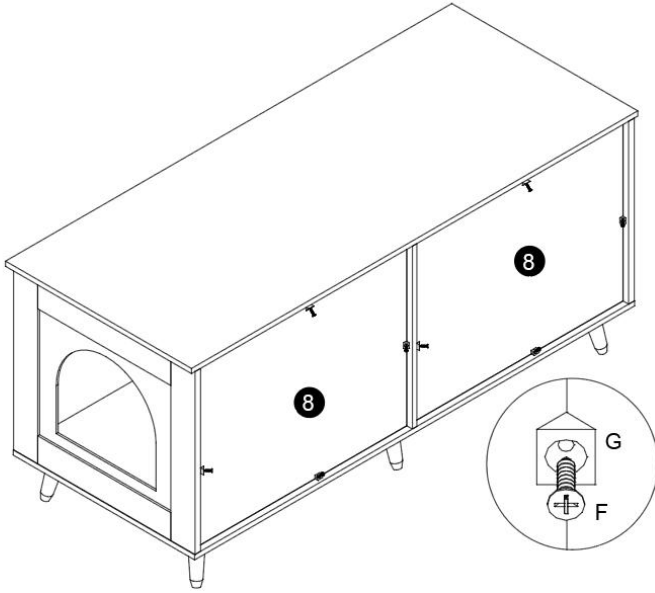
K*6
F*30

6



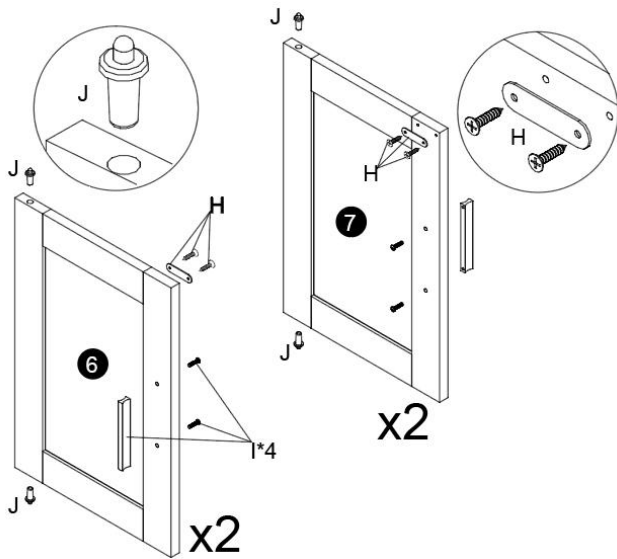
L*6

7



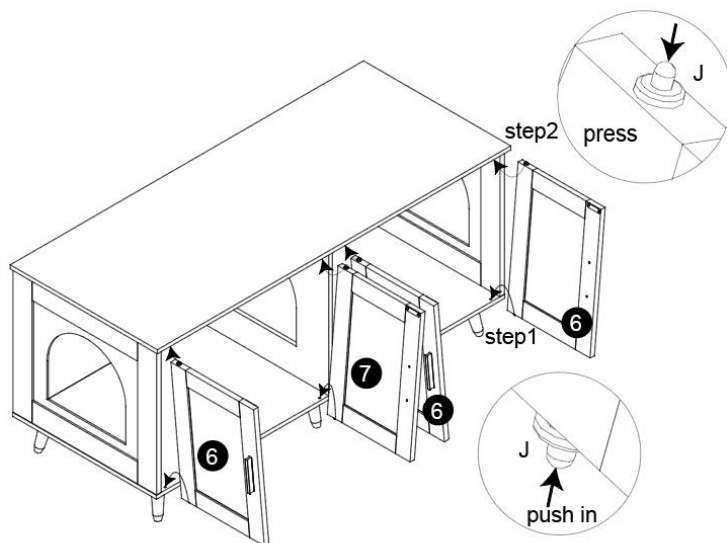
G*8
F*8

8

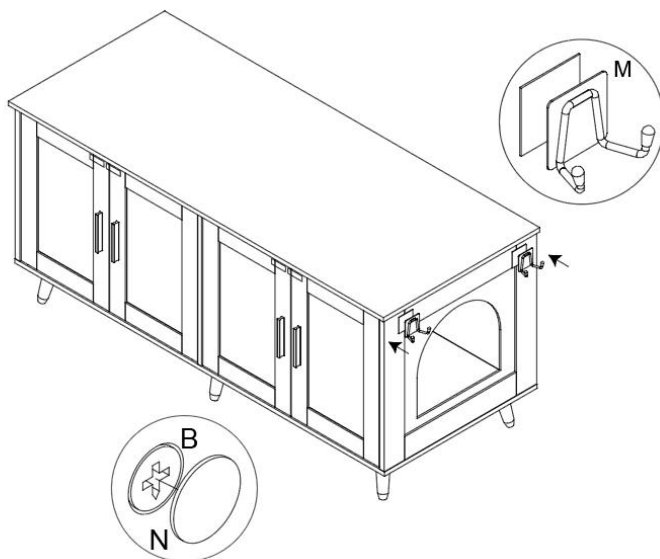


H*4
J*8
I*4

9



10



M*2
N*9

DREWNIANE OBUDOWY NA KUWETĘ DLA KOTA

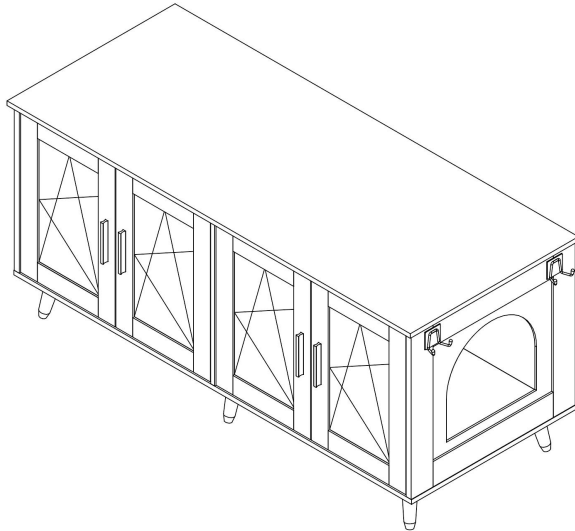
INSTRUKCJA OBSŁUGI

We continue to be committed to provide you tools with competitive price.

"Save Half", "Half Price" or any other similar expressions used by us only represents an estimate of savings you might benefit from buying certain tools with us compared to the major top brands and does not necessarily mean to cover all categories of tools offered by us. You are kindly reminded to verify carefully when you are placing an order with us if you are actually saving half in comparison with the top major brands.

WOOD CAT LITTER BOX ENCLOSURES

TOUGH TOOLS, HALF PRICE



NEED HELP? CONTACT US!

Have product questions? Need technical support? Please feel free to contact us

This is the original instruction, please read all manual instructions carefully before operating. We reserve a clear interpretation of our user manual. The appearance of the product shall be subject to the product you received. Please forgive us that we won't inform you again if there are any technology or software updates on our product.

UWAGA : Zachowaj instrukcję na przyszłość.

- Nie stawaj na żadnej części tego przedmiotu ani nie używaj go jako drabiny.
- Podczas montażu należy luźno dokręcić śruby. Nie dokręcaj mocno śrub, dopóki element nie zostanie całkowicie zmontowany.
- Przed użyciem dokładnie sprawdź, czy wszystkie śruby, wkręty i pokrętła zostały mocno dokręcone.
- Aby zapobiec rozpadaniu się przedmiotów, regularnie sprawdzaj, czy wszystkie śruby, wkręty i pokrętła są dobrze dokręcone.
- Nie używaj ani nie przechowuj tego przedmiotu w pobliżu otwartego ognia lub łatwopalnych/palnych substancji chemicznych.
- Należy pamiętać, że niektóre części są ciężkie i mają ostre krawędzie podczas montażu i użytkowania.
- Nie używaj tego przedmiotu w sposób niezgodny z instrukcjami producenta, ponieważ może to spowodować utratę gwarancji na produkt.
- Ten przedmiot jest wykonany z drewna i może rozszerzać się pod wpływem wilgoci.
- Używając do montażu wkrętaka elektrycznego, należy zwrócić uwagę na kontrolowanie momentu obrotowego, aby uniknąć uszkodzenia wkrętów lub drewnianej deski.

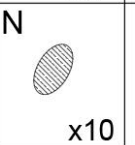
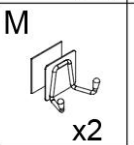
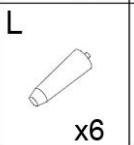
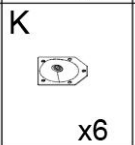
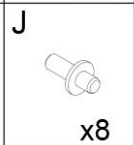
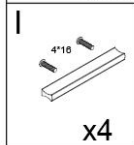
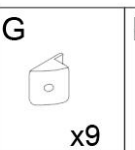
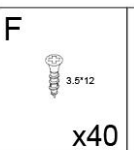
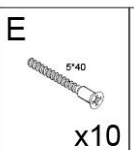
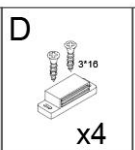
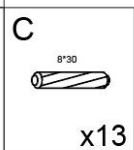
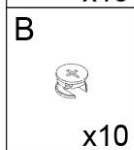
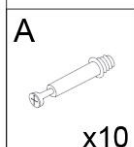
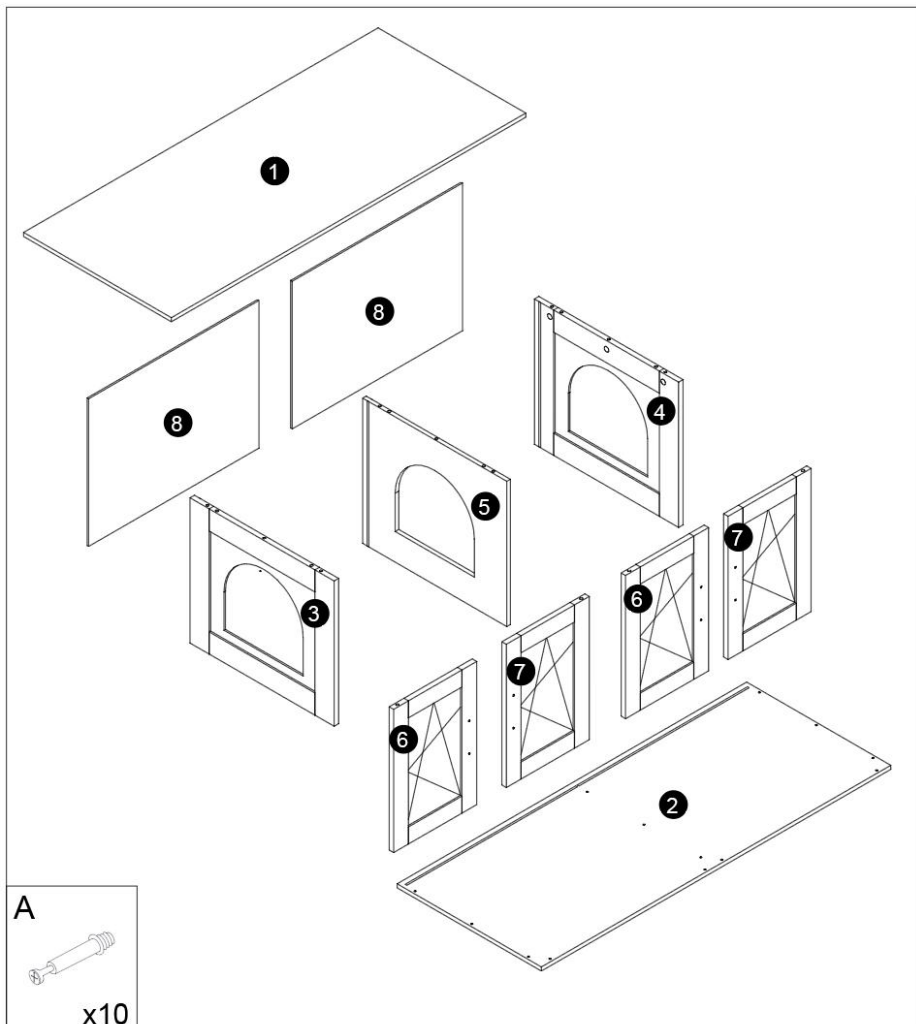
SPECYFIKACJE

| | |
|-----------------------------------|-------------------------|
| Rozmiar produktu (stan złożony) | 47,2 x 19,7 x 21,7 cala |
| Kolor | Natura |
| GÓRNA ładowność | 150 funtów |
| Nośność od dołu | 100 funtów |

| | |
|-----------------------------------|-------------------------|
| Rozmiar produktu (stan złożony) | 47,2 x 19,7 x 21,7 cala |
| Kolor | Czarny |
| GÓRNA ładowność | 150 funtów |

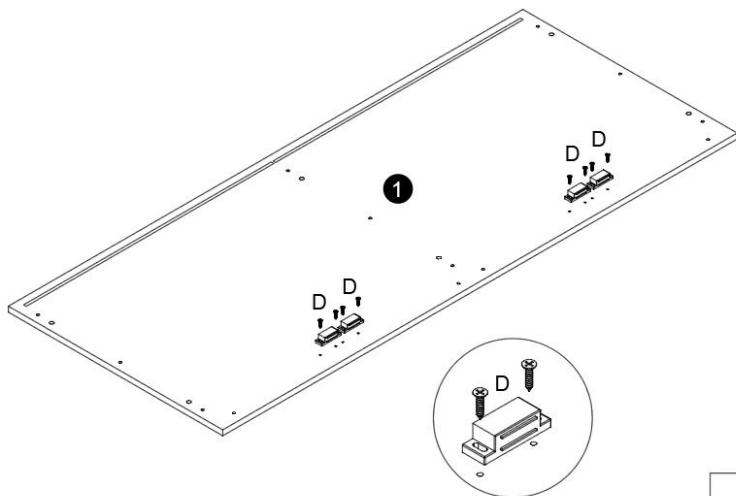
| | |
|-----------------|------------|
| Nośność od dołu | 100 funtów |
|-----------------|------------|

składniki



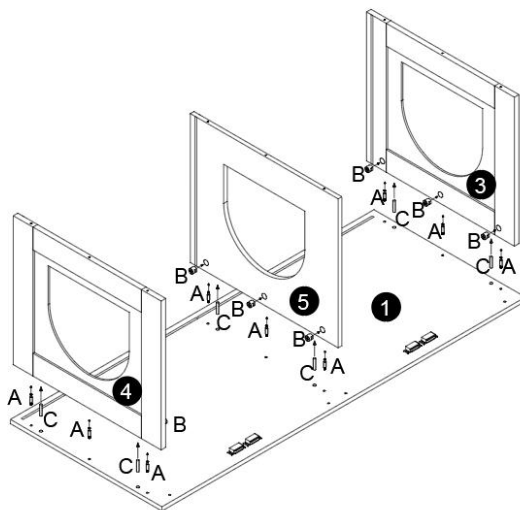
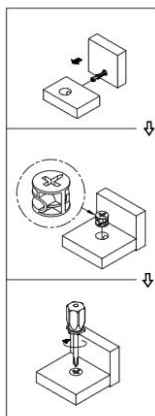
Instrukcje składania:

1



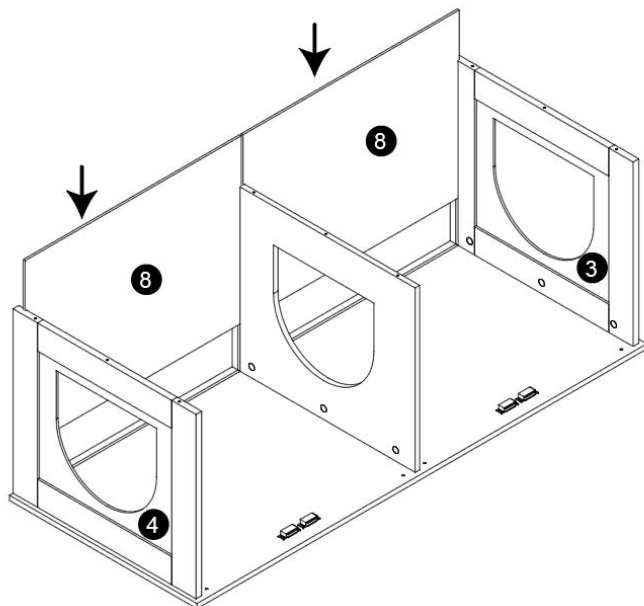
D*4

2

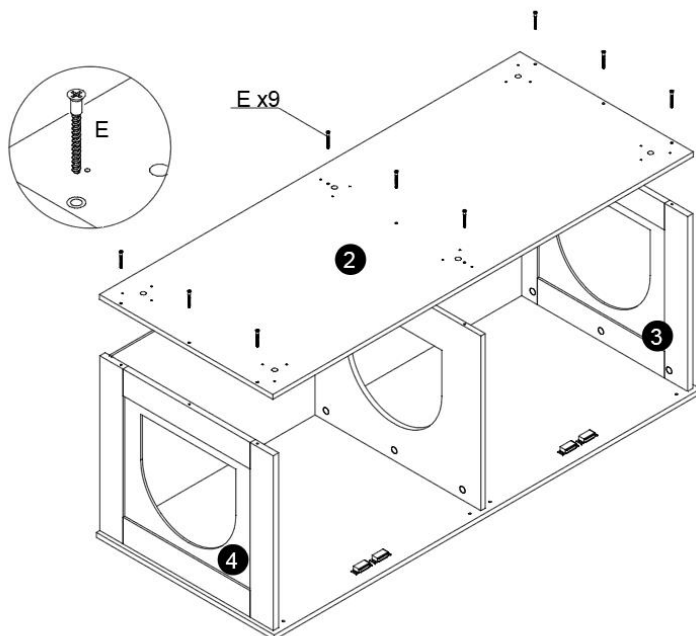


A*9
B*9
C*6

3

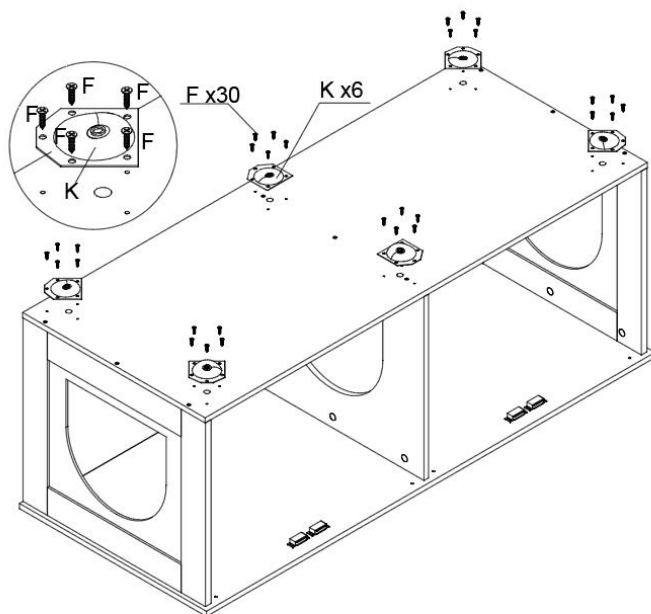


4



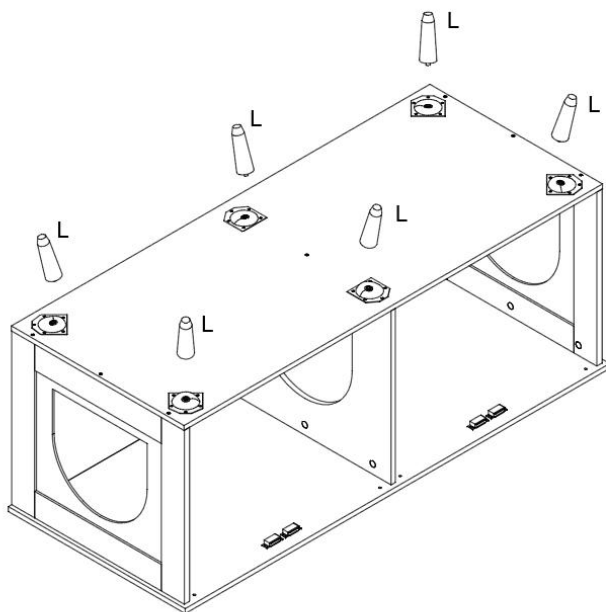
E*9

5



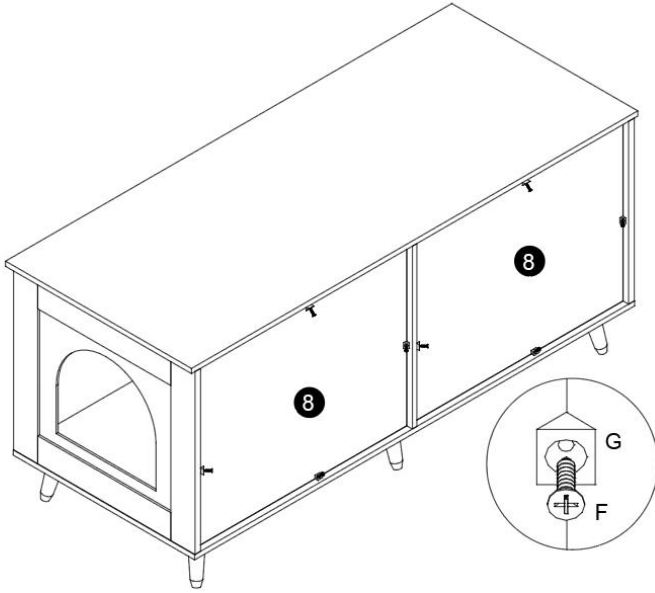
K*6
F*30

6



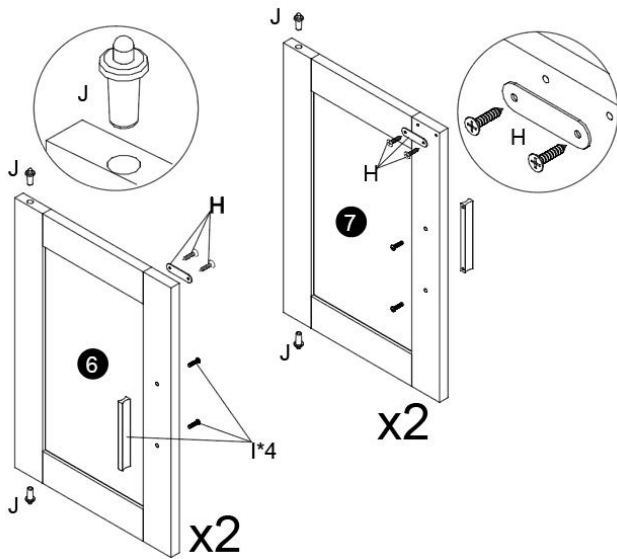
L*6

7



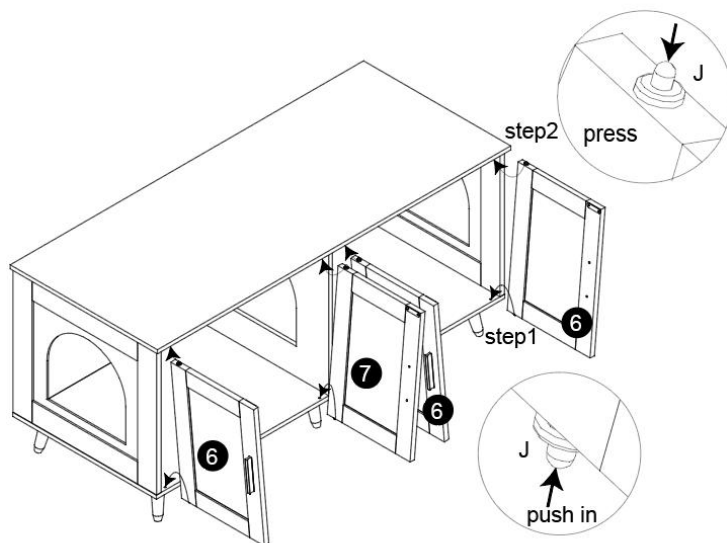
G*8
F*8

8

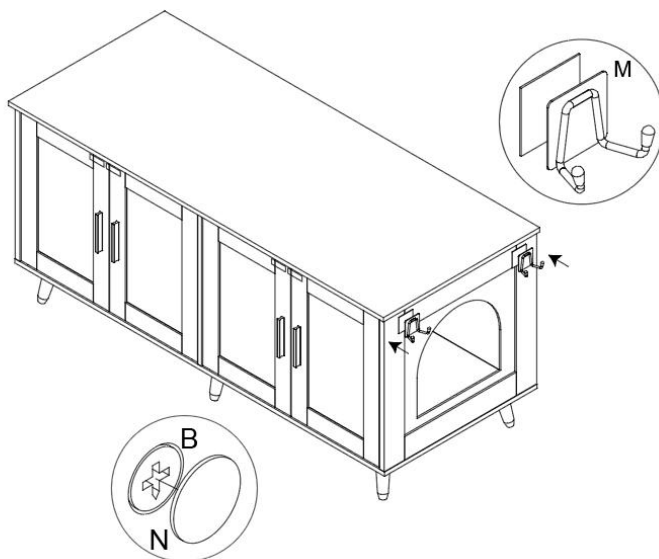


H*4
J*8
I*4

9



10



M*2
N*9

KATZENTOILETTENGEHÄUSE AUS HOLZ

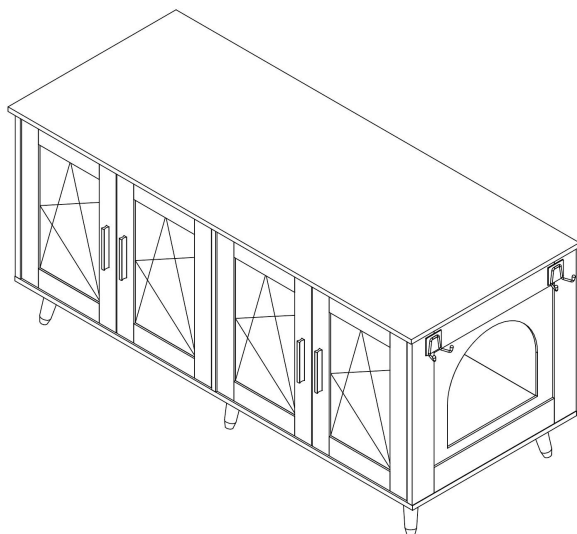
BENUTZERHANDBUCH

We continue to be committed to provide you tools with competitive price.

"Save Half", "Half Price" or any other similar expressions used by us only represents an estimate of savings you might benefit from buying certain tools with us compared to the major top brands and does not necessarily mean to cover all categories of tools offered by us. You are kindly reminded to verify carefully when you are placing an order with us if you are actually saving half in comparison with the top major brands.

WOOD CAT LITTER BOX ENCLOSURES

TOUGH TOOLS, HALF PRICE



NEED HELP? CONTACT US!

Have product questions? Need technical support? Please feel free to contact us

This is the original instruction, please read all manual instructions carefully before operating. We reserve a clear interpretation of our user manual. The appearance of the product shall be subject to the product you received. Please forgive us that we won't inform you again if there are any technology or software updates on our product.

HINWEIS : Bitte bewahren Sie die Anleitung für späteren Gebrauch auf.

- Stellen Sie sich nicht auf diesen Artikel und verwenden Sie ihn nicht als Trittleiter.
- Ziehen Sie die Schrauben beim Zusammenbau nur locker an. Ziehen Sie die Schrauben erst fest, wenn der Artikel vollständig zusammengebaut ist.
- Überprüfen Sie vor der Verwendung noch einmal, ob alle Bolzen, Schrauben und Knöpfe fest angezogen sind.
- Um ein Auseinanderfallen der Artikel zu verhindern, überprüfen Sie bitte regelmäßig, ob alle Bolzen, Schrauben und Knöpfe fest sitzen.
- Verwenden oder lagern Sie diesen Artikel nicht in der Nähe von offenem Feuer oder entzündlichen/brennbaren Chemikalien.
- Beachten Sie beim Zusammenbau und Gebrauch, dass einige Teile schwer sind und scharfe Kanten aufweisen.
- Verwenden Sie diesen Artikel nicht entgegen den Anweisungen des Herstellers, da dies zum Erlöschen der Produktgarantie führen kann.
- Dieser Artikel ist aus Holz gefertigt und kann sich aufgrund von Feuchtigkeit ausdehnen.
- Wenn Sie zur Montage einen Akkuschauber verwenden, achten Sie auf die Kontrolle des Drehmoments, um eine Beschädigung der Schrauben oder der Holzplatte zu vermeiden.

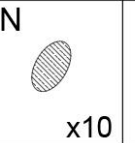
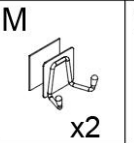
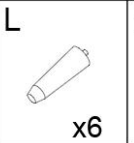
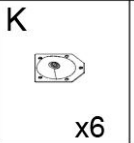
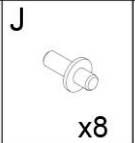
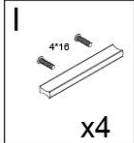
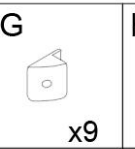
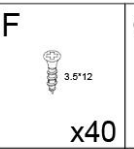
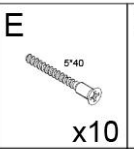
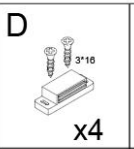
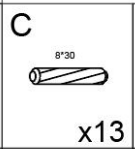
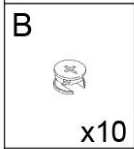
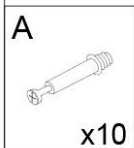
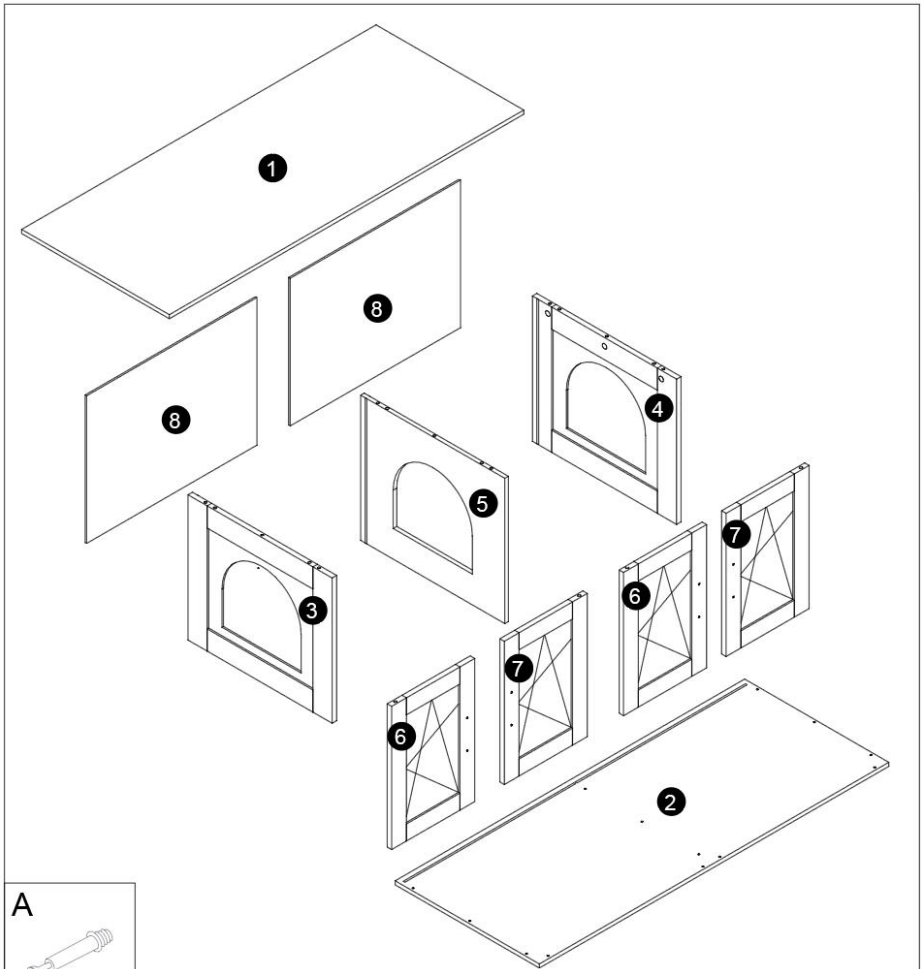
SPEZIFIKATIONEN

| | |
|-------------------------------------|-------------------------|
| Produktgröße (gefalteter Zustand) | 47,2 x 19,7 x 21,7 Zoll |
| Farbe | Natur |
| TOP-Tragfähigkeit | 150 Pfund |
| Untere Tragfähigkeit | 100 Pfund |

| | |
|-------------------------------------|-------------------------|
| Produktgröße (gefalteter Zustand) | 47,2 x 19,7 x 21,7 Zoll |
|-------------------------------------|-------------------------|

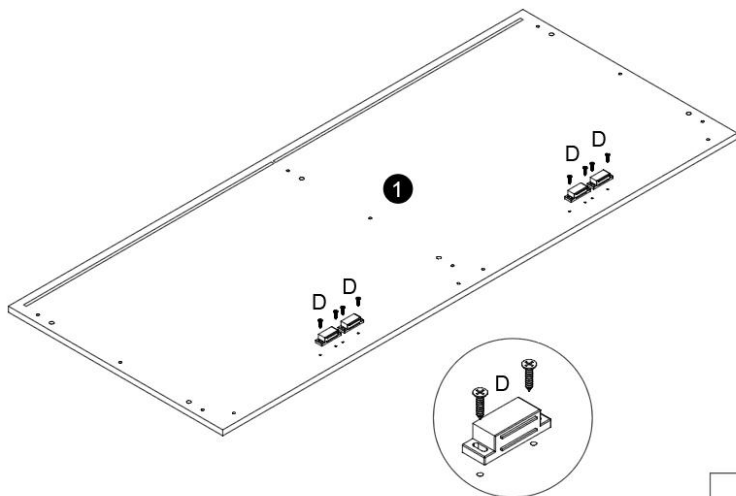
| | |
|----------------------|-----------|
| Farbe | Schwarz |
| TOP-Tragfähigkeit | 150 Pfund |
| Untere Tragfähigkeit | 100 Pfund |

Komponenten



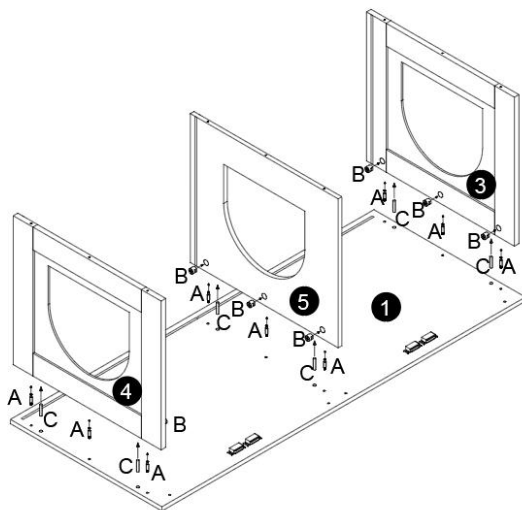
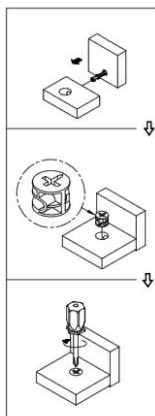
Montageanleitungen:

1



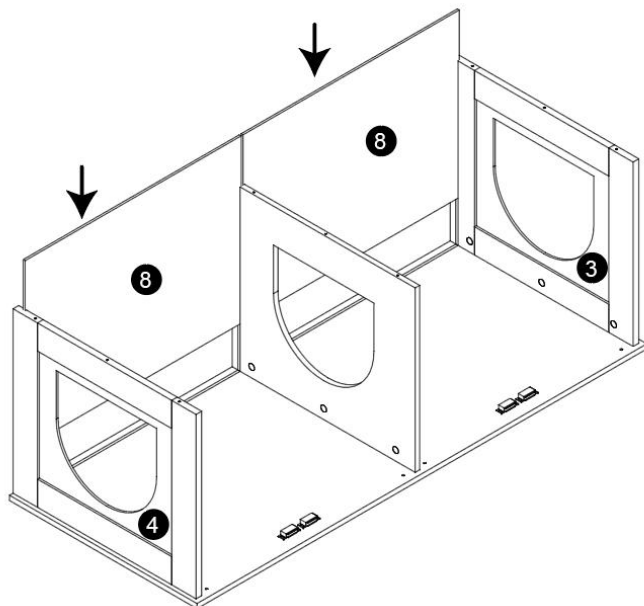
D*4

2

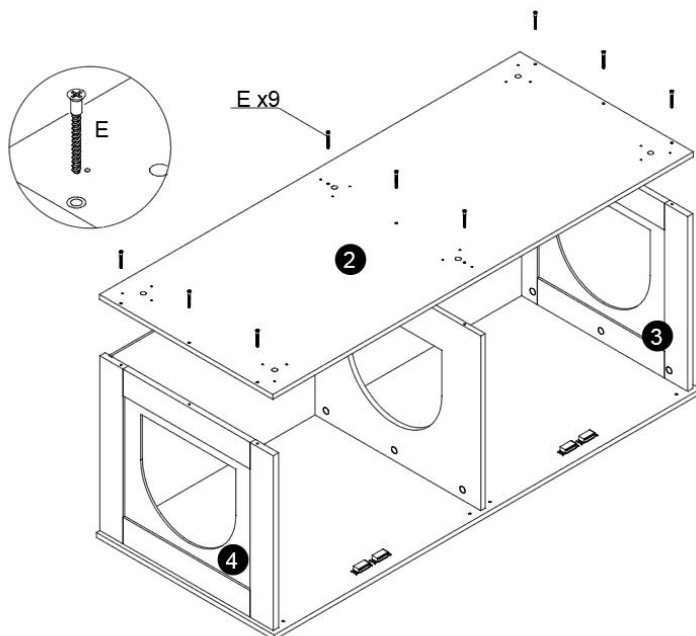


A*9
B*9
C*6

3

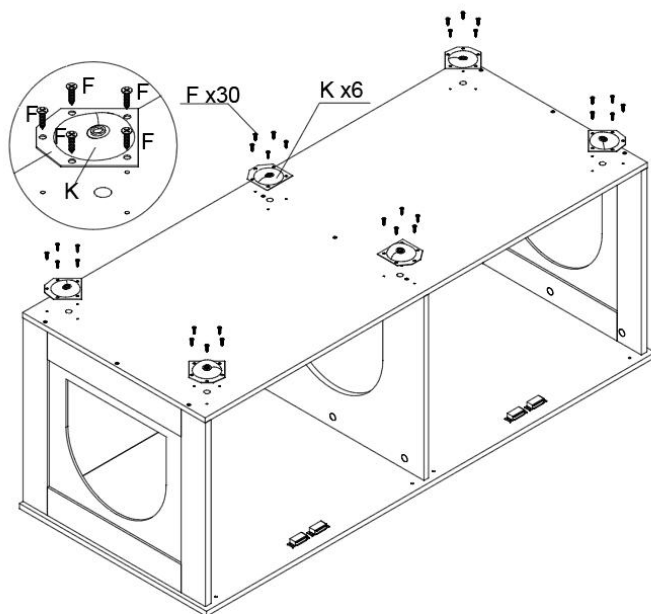


4



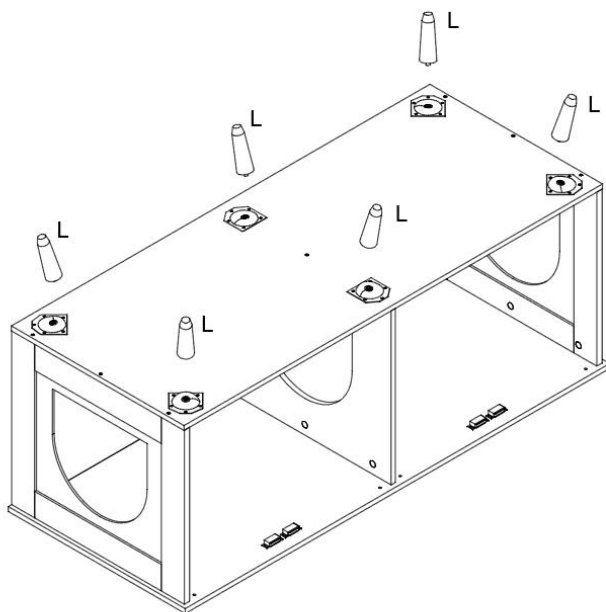
E*9

5



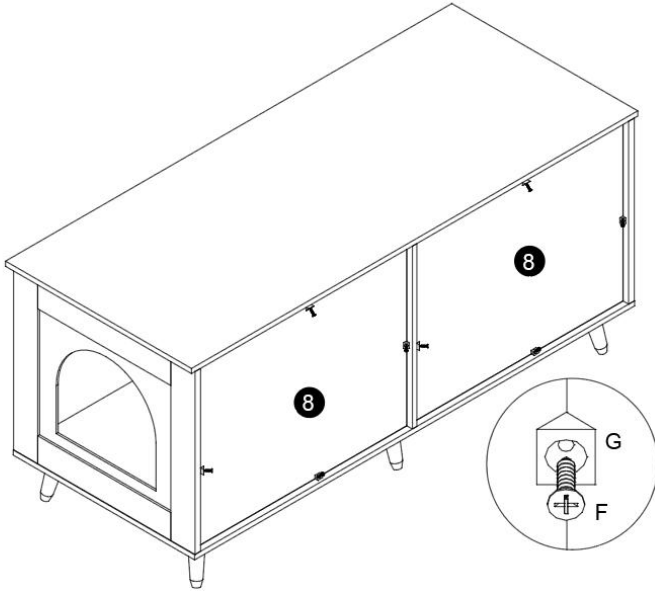
K*6
F*30

6



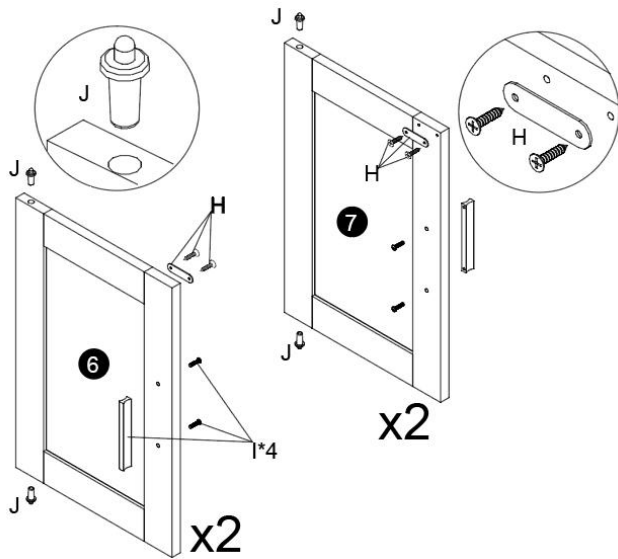
L*6

7



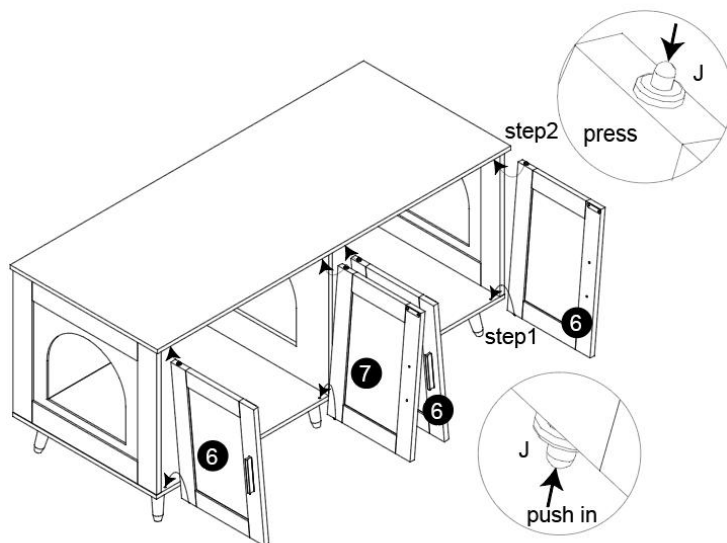
G*8
F*8

8

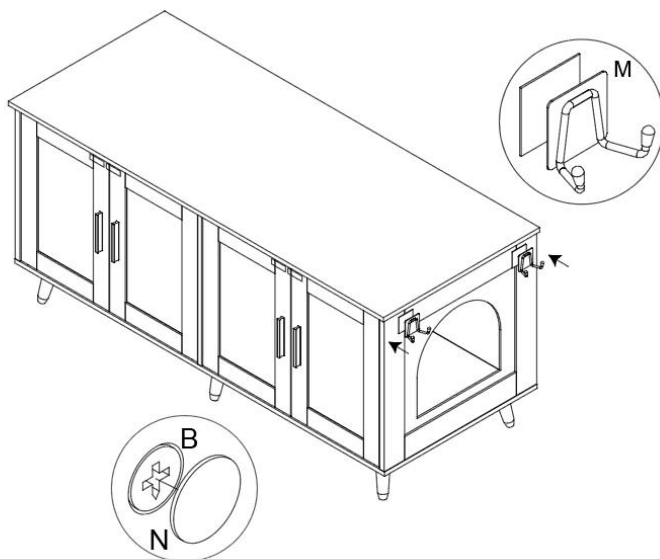


H*4
J*8
I*4

9



10



M*2
N*9

ENCLOS DE BAC À LITIÈRE POUR CHAT EN BOIS

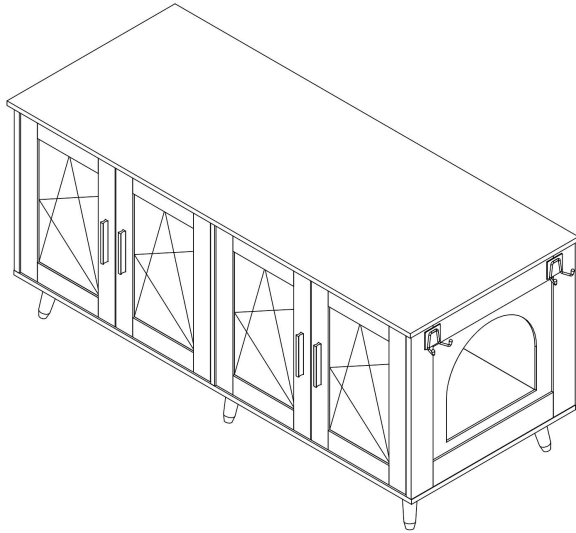
MANUEL DE L'UTILISATEUR

We continue to be committed to provide you tools with competitive price.

"Save Half", "Half Price" or any other similar expressions used by us only represents an estimate of savings you might benefit from buying certain tools with us compared to the major top brands and does not necessarily mean to cover all categories of tools offered by us. You are kindly reminded to verify carefully when you are placing an order with us if you are actually saving half in comparison with the top major brands.

WOOD CAT LITTER BOX ENCLOSURES

TOUGH TOOLS, HALF PRICE



NEED HELP? CONTACT US!

Have product questions? Need technical support? Please feel free to contact us

This is the original instruction, please read all manual instructions carefully before operating. We reserve a clear interpretation of our user manual. The appearance of the product shall be subject to the product you received. Please forgive us that we won't inform you again if there are any technology or software updates on our product.

AVIS : Veuillez conserver les instructions pour vos besoins futurs.

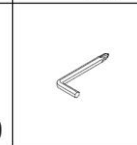
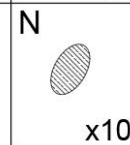
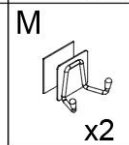
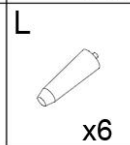
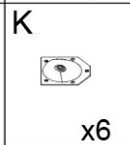
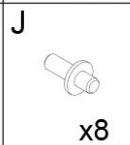
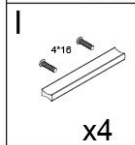
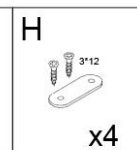
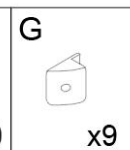
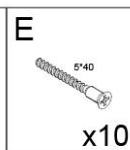
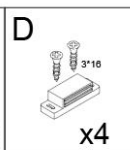
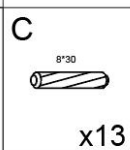
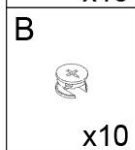
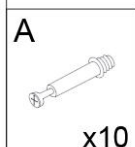
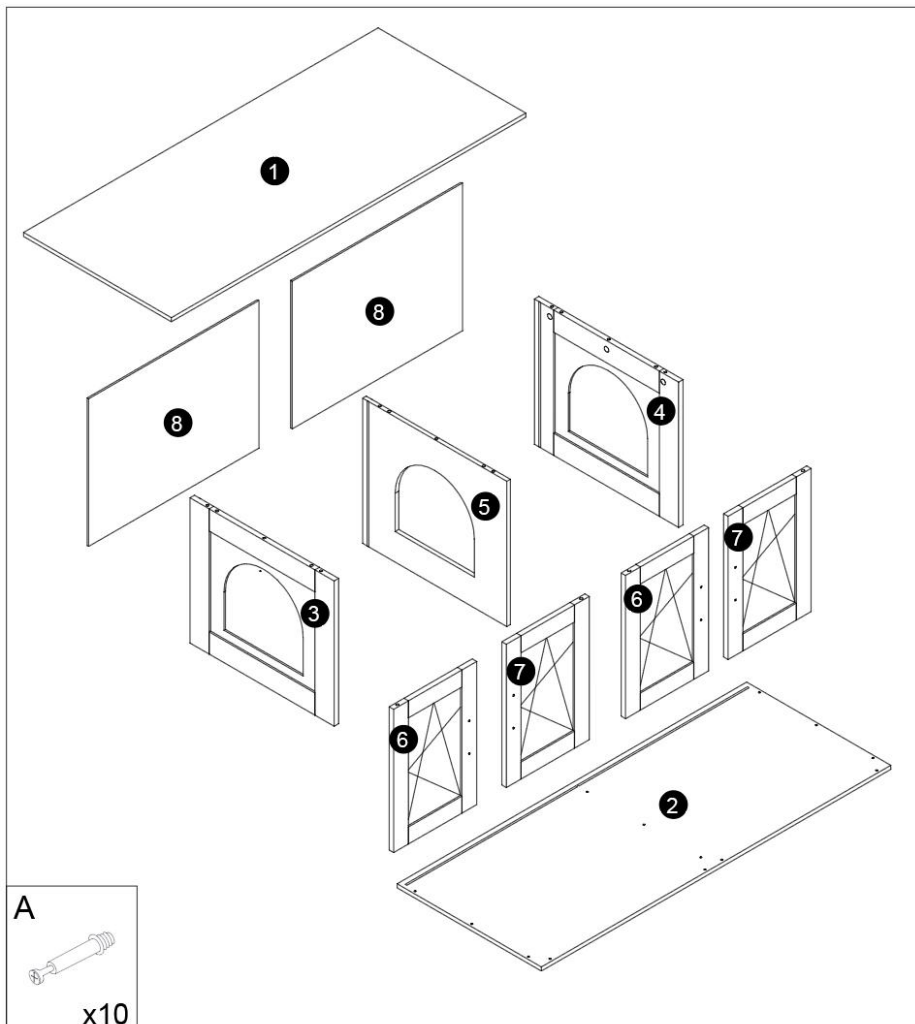
- Ne vous tenez pas debout et n'utilisez aucune partie de cet article comme escabeau.
- Serrez les vis sans serrer pendant l'assemblage. Ne serrez pas fermement les vis tant que l'article n'est pas complètement assemblé.
- Vérifiez à nouveau que tous les boulons, vis et boutons ont été fermement serrés avant utilisation.
- Pour éviter que les articles ne s'effondrent, veuillez vérifier régulièrement si tous les boulons, vis et boutons sont bien fixés.
- N'utilisez pas et ne stockez pas cet article à proximité d'une flamme nue ou de produits chimiques inflammables/combustibles.
- Sachez que certaines pièces sont lourdes et présentent des arêtes vives lors de l'assemblage et de l'utilisation.
- N'utilisez pas cet article d'une manière incompatible avec les instructions du fabricant car cela pourrait annuler la garantie du produit.
- Cet article est fabriqué en bois et peut se dilater en raison de l'humidité.
- Lorsque vous utilisez un tournevis électrique pour l'installation, veuillez à contrôler le couple pour éviter d'endommager les vis ou la planche de bois.

CARACTÉRISTIQUES

| | |
|-----------------------------------|---------------------------|
| Taille du produit (état ancien) | 47,2 x 19,7 x 21,7 pouces |
| Couleur | Nature |
| Capacité de charge supérieure | 150 livres |
| Capacité de charge inférieure | 100 lb |

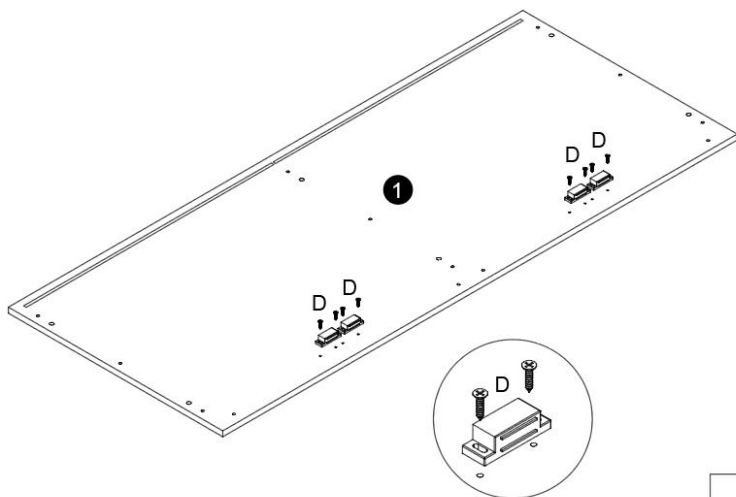
| | |
|-----------------------------------|---------------------------|
| Taille du produit (état ancien) | 47,2 x 19,7 x 21,7 pouces |
| Couleur | Noir |
| Capacité de charge supérieure | 150 livres |
| Capacité de charge inférieure | 100 lb |

Composants



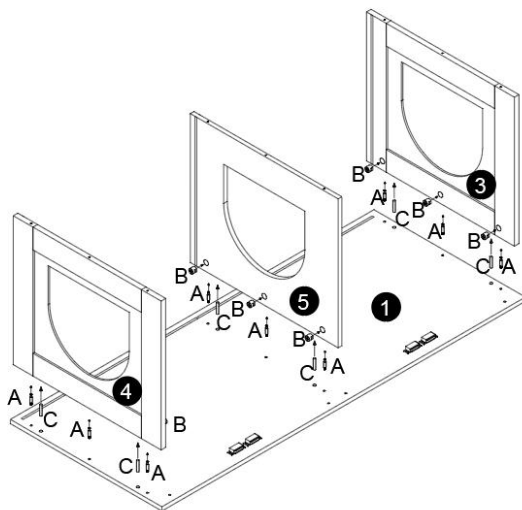
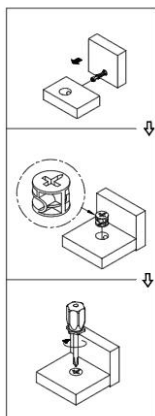
Instructions de montage:

1



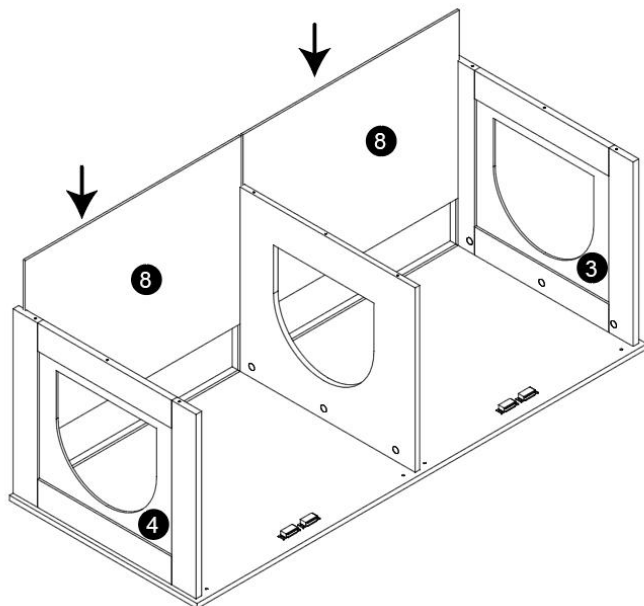
D*4

2

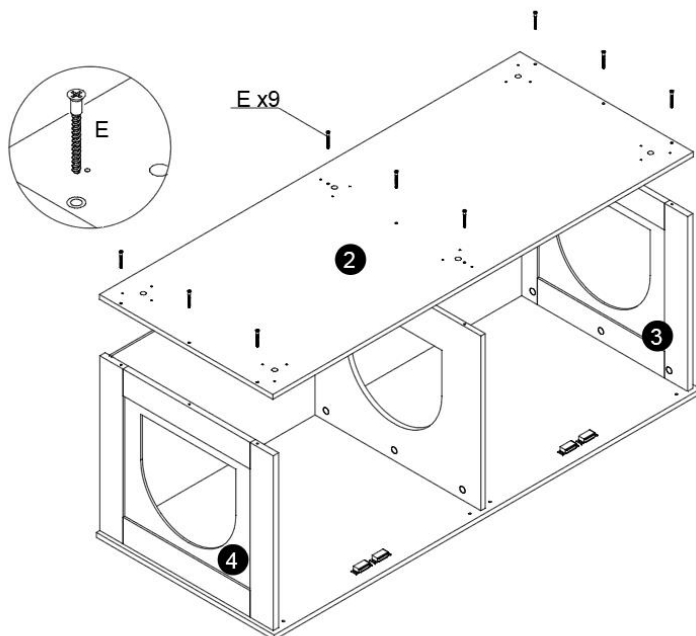


A*9
B*9
C*6

3

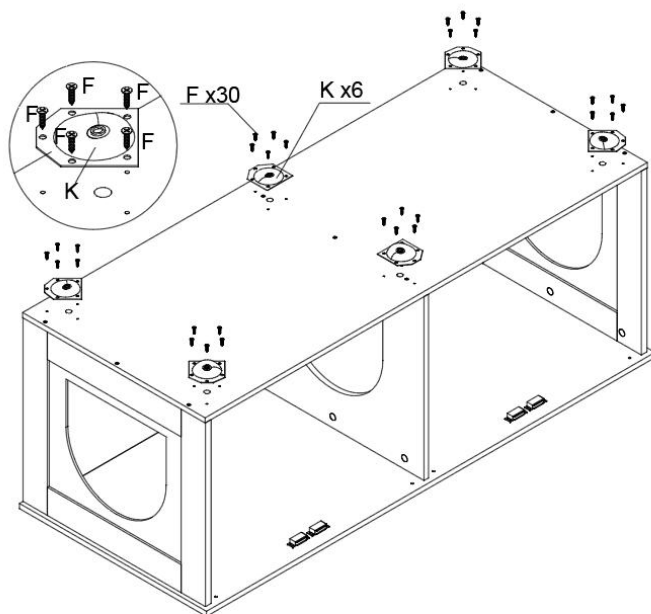


4



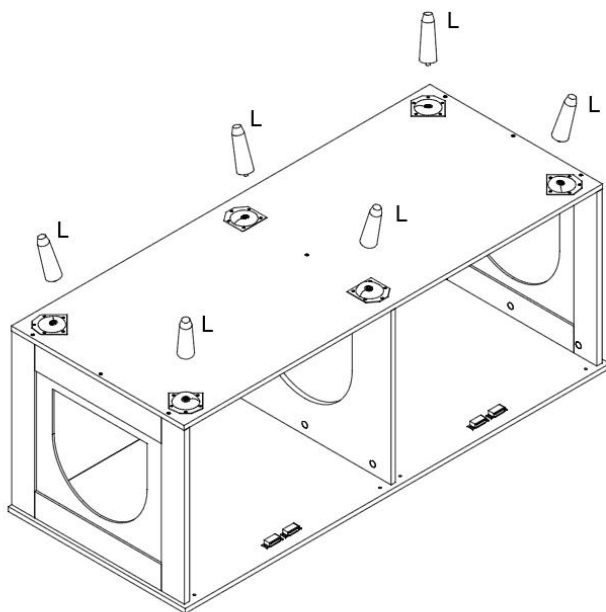
E*9

5



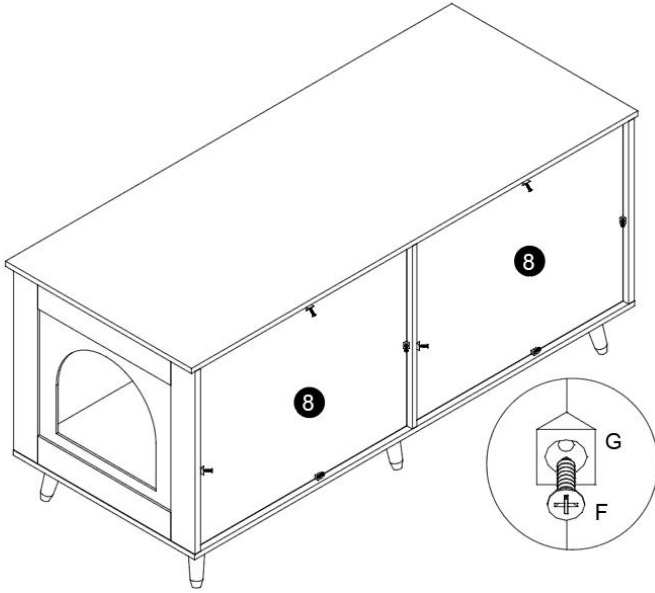
K*6
F*30

6



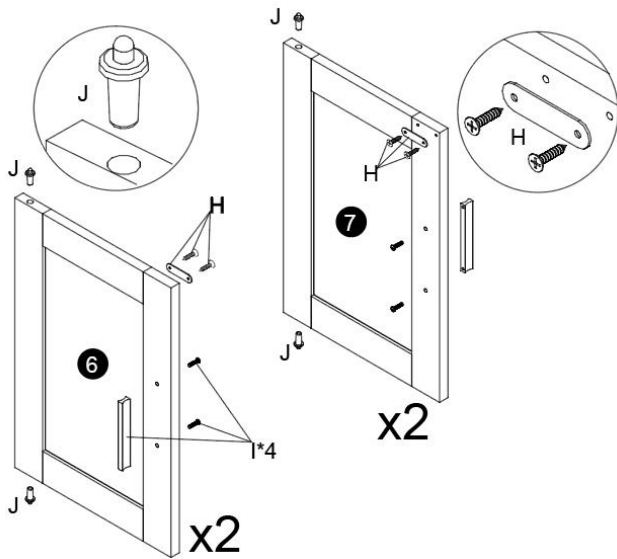
L*6

7



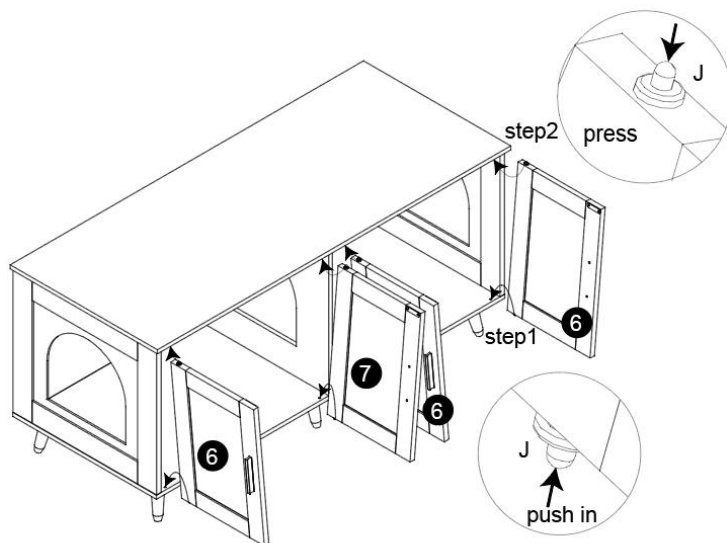
G*8
F*8

8

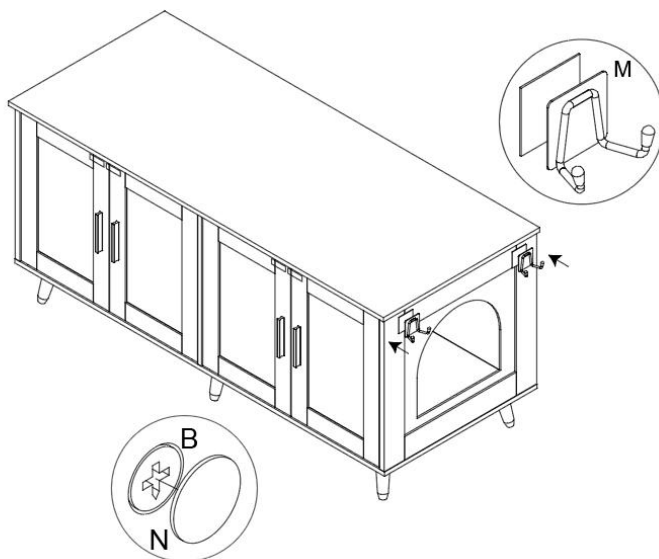


H*4
J*8
I*4

9



10



M*2
N*9

HOUTEN KATTENBAKBEHUIZINGEN

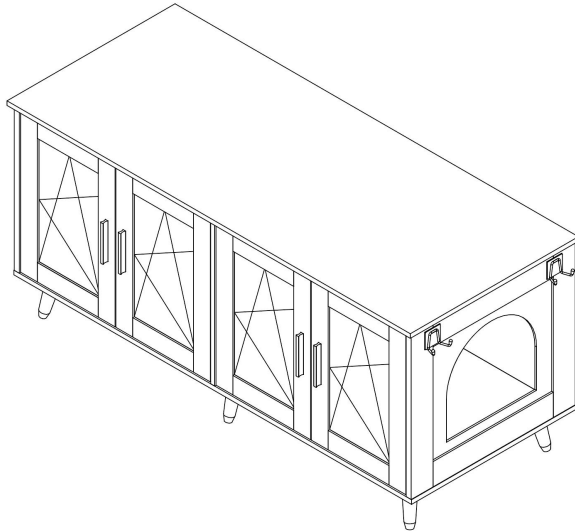
HANDLEIDING

We continue to be committed to provide you tools with competitive price.

"Save Half", "Half Price" or any other similar expressions used by us only represents an estimate of savings you might benefit from buying certain tools with us compared to the major top brands and does not necessarily mean to cover all categories of tools offered by us. You are kindly reminded to verify carefully when you are placing an order with us if you are actually saving half in comparison with the top major brands.

WOOD CAT LITTER BOX ENCLOSURES

TOUGH TOOLS, HALF PRICE



NEED HELP? CONTACT US!

Have product questions? Need technical support? Please feel free to contact us

This is the original instruction, please read all manual instructions carefully before operating. We reserve a clear interpretation of our user manual. The appearance of the product shall be subject to the product you received. Please forgive us that we won't inform you again if there are any technology or software updates on our product.

LET OP : Bewaar de instructies voor toekomstige behoeften.

- Ga niet op dit artikel staan en gebruik geen onderdelen ervan als ladder.
- Draai de schroeven tijdens de montage losjes vast. Draai de schroeven pas stevig vast als het item volledig is gemonteerd.
- Controleer voor gebruik nogmaals of alle bouten, schroeven en knoppen stevig zijn vastgedraaid.
- Om te voorkomen dat items uit elkaar vallen, controleert u regelmatig of alle bouten, schroeven en knoppen goed vastzitten.
- Gebruik of bewaar dit artikel niet in de buurt van open vuur of ontvlambare/brandbare chemicaliën.
- Houd er rekening mee dat sommige onderdelen zwaar zijn en scherpe randen hebben bij montage en gebruik.
- Gebruik dit artikel niet op een manier die niet in overeenstemming is met de instructies van de fabrikant, aangezien hierdoor de productgarantie kan komen te vervallen.
- Dit artikel is gemaakt van hout en kan door vocht uitzetten.
- Wanneer u voor de installatie een elektrische schroevendraaier gebruikt, let dan op het controleren van het koppel om beschadiging van de schroeven of de houten plaat te voorkomen.

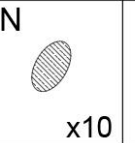
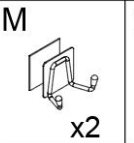
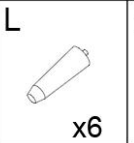
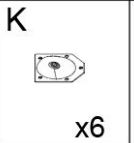
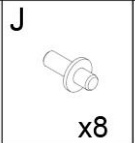
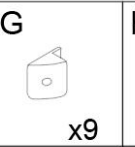
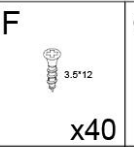
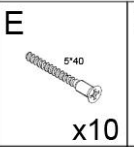
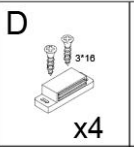
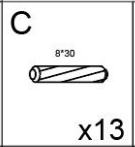
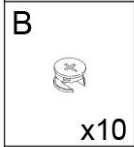
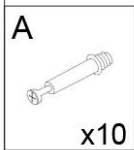
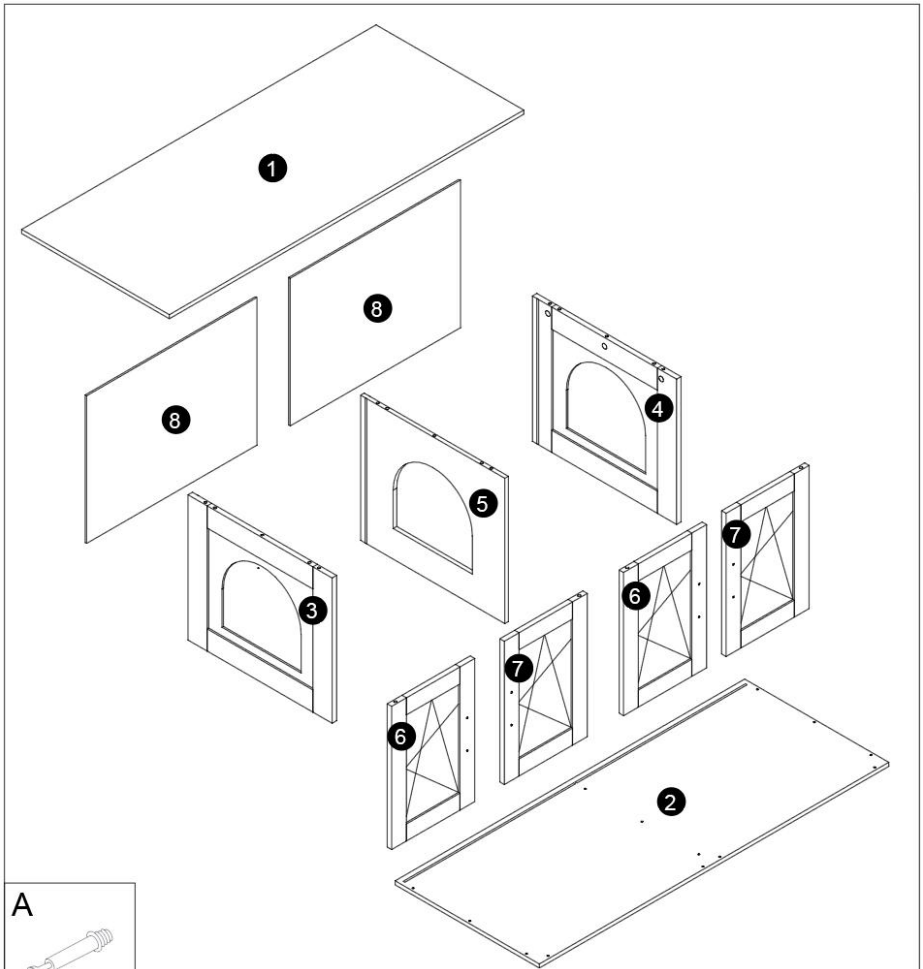
SPECIFICATIES

| | |
|-----------------------------------|-------------------------|
| Productgrootte (gevouwen staat) | 47,2 x 19,7 x 21,7 inch |
| Kleur | Natuur |
| TOP-laadcapaciteit | 150 pond |
| Laadvermogen onderaan | 100 pond |

| | |
|-----------------------------------|-------------------------|
| Productgrootte (gevouwen staat) | 47,2 x 19,7 x 21,7 inch |
| Kleur | Zwart |
| TOP-laadcapaciteit | 150 pond |

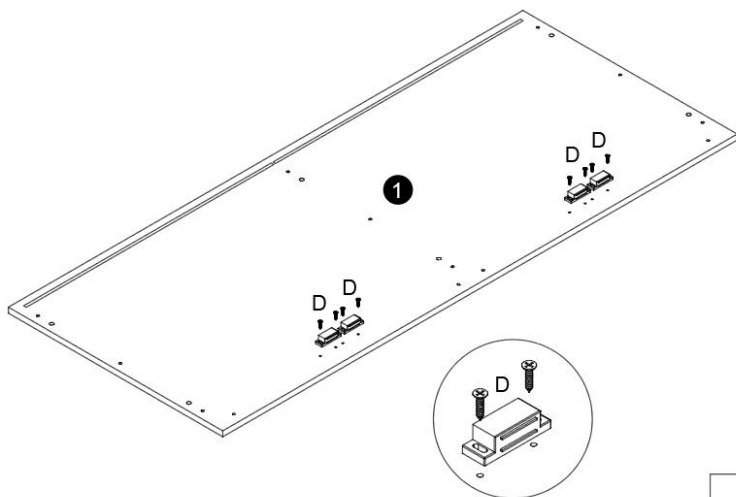
| | |
|-----------------------|----------|
| Laadvermogen onderaan | 100 pond |
|-----------------------|----------|

Componenten



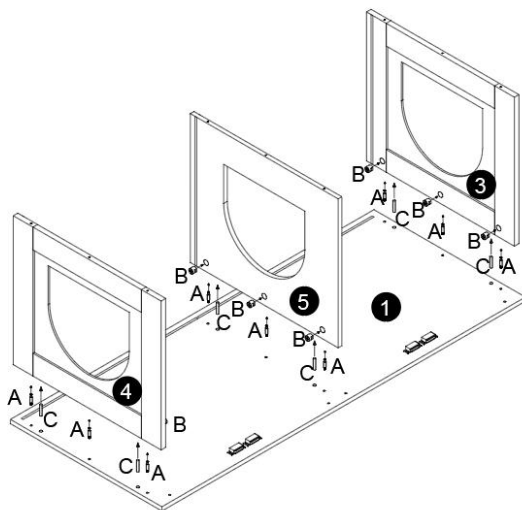
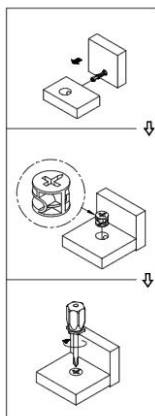
Montage-instructies:

1



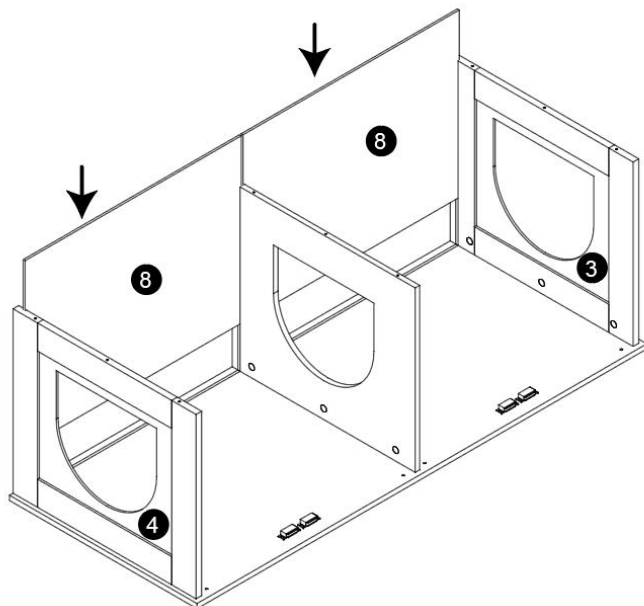
D*4

2

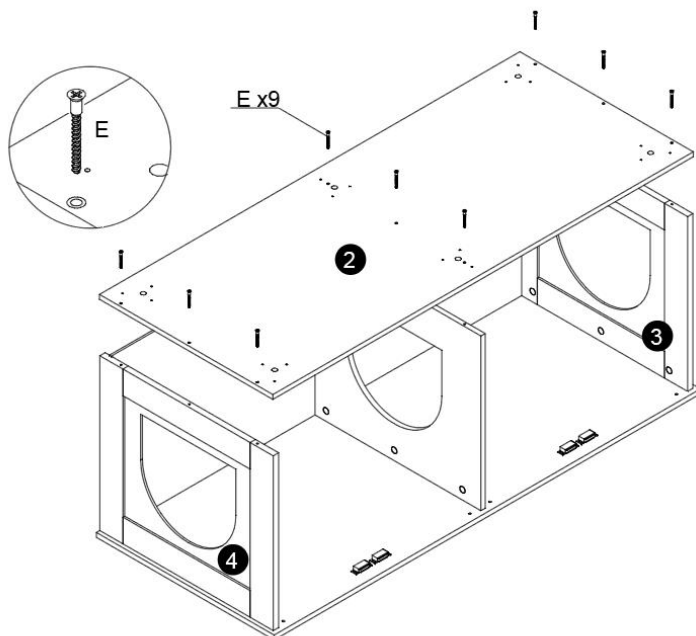


A*9
B*9
C*6

3

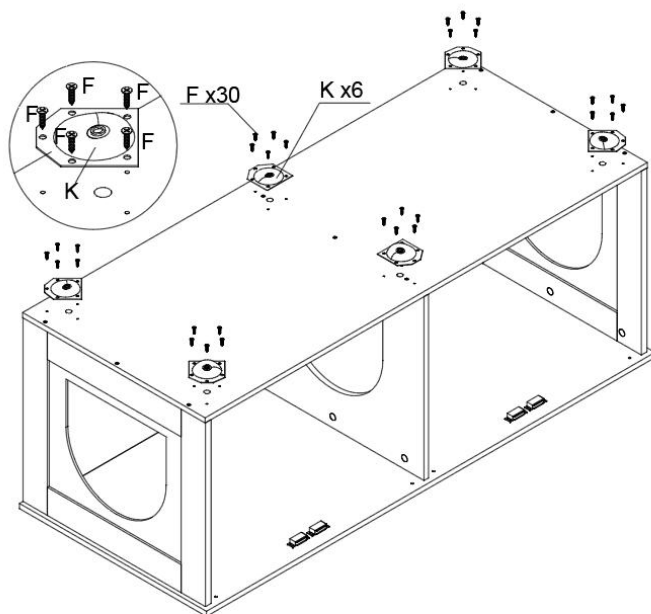


4



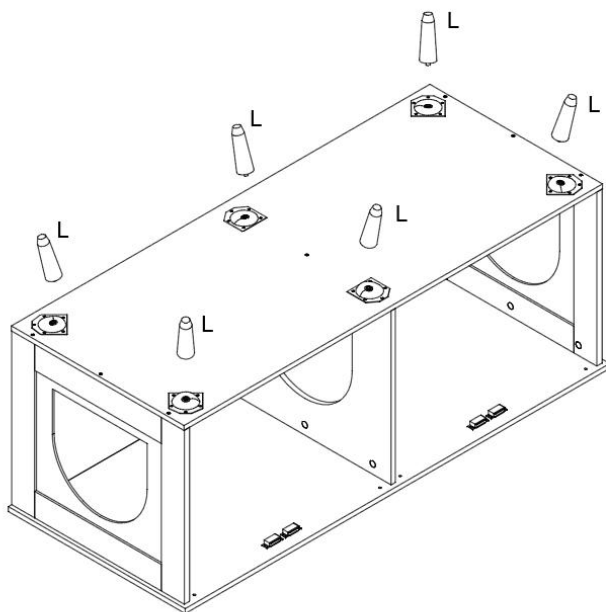
E*9

5



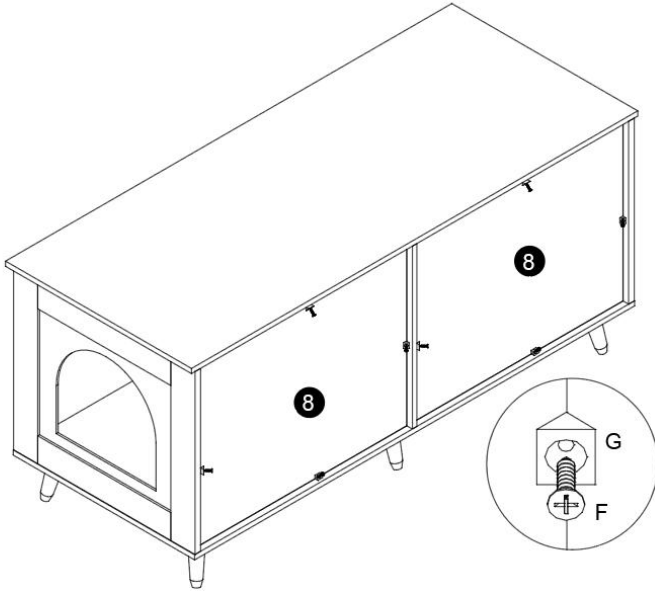
K*6
F*30

6



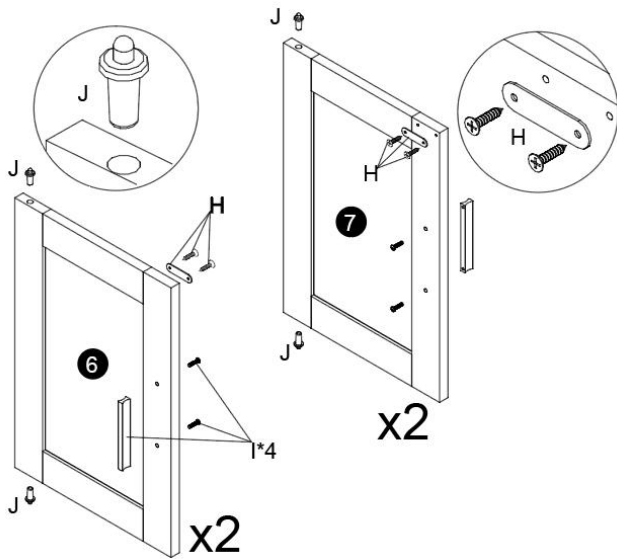
L*6

7



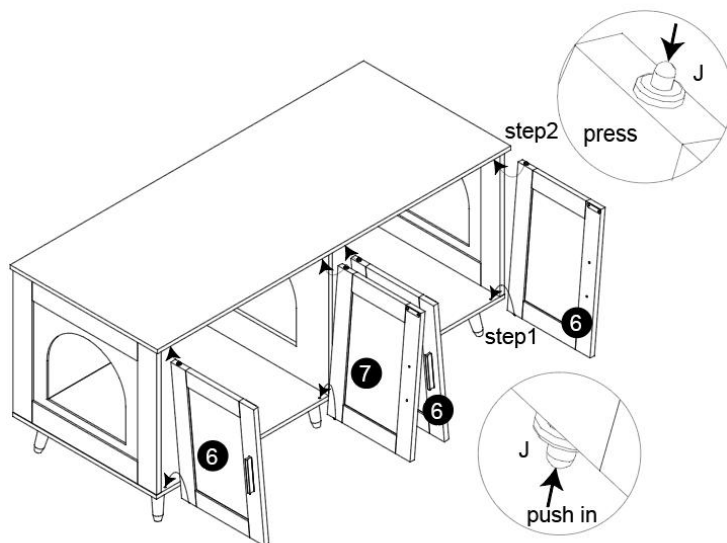
G*8
F*8

8

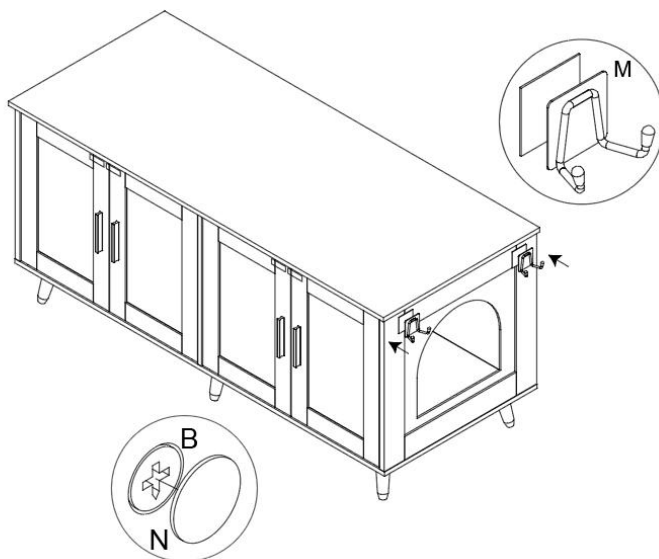


H*4
J*8
I*4

9



10



M*2
N*9