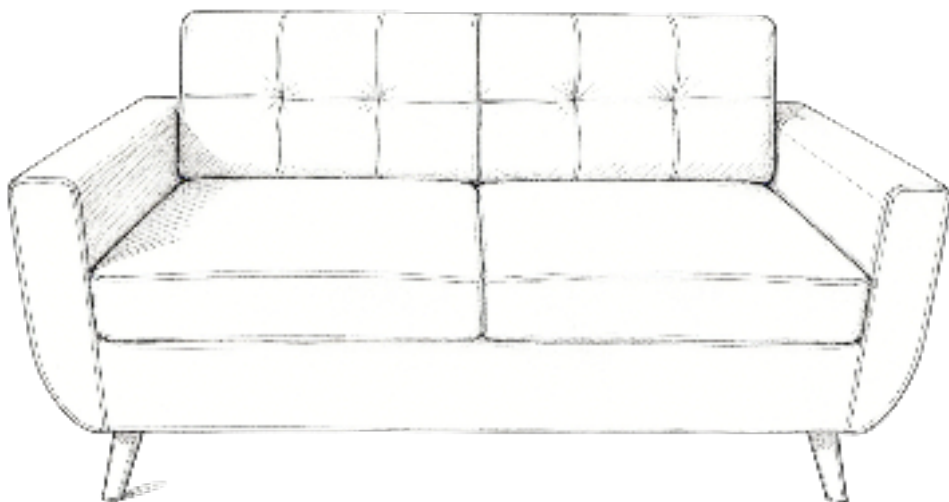


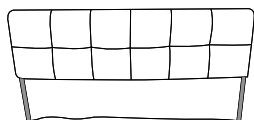
Assembly Guide

Loveseat Sofa

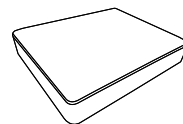


Components

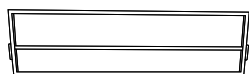
A x1



B x2



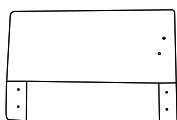
C x1



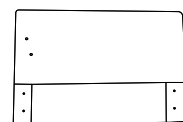
D x1



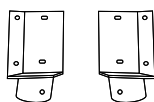
E x1



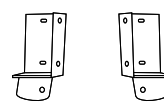
F x1



G x2



H x2



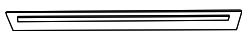
I x4



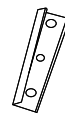
J x1



K x1



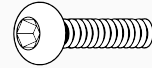
L x2



Components

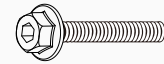
M x4

M6X16



N x4

M6X40



O x16

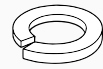
M6X16



Ⓟ x20



Ⓠ x20



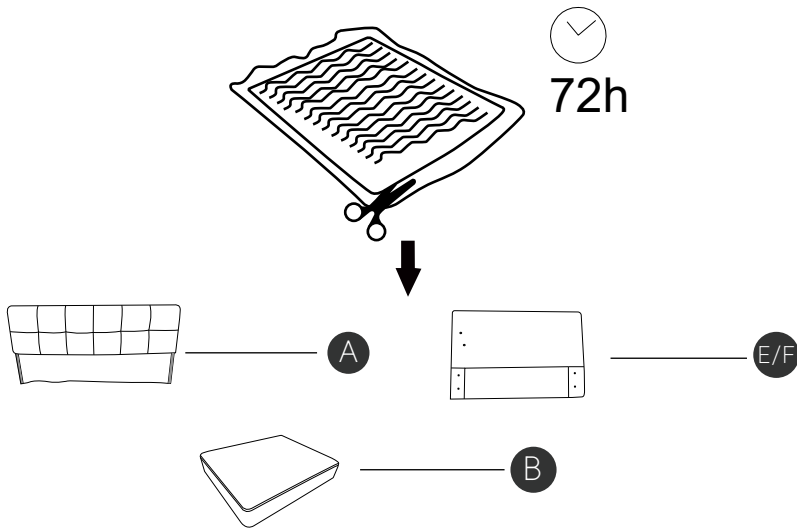
Ⓡ X1



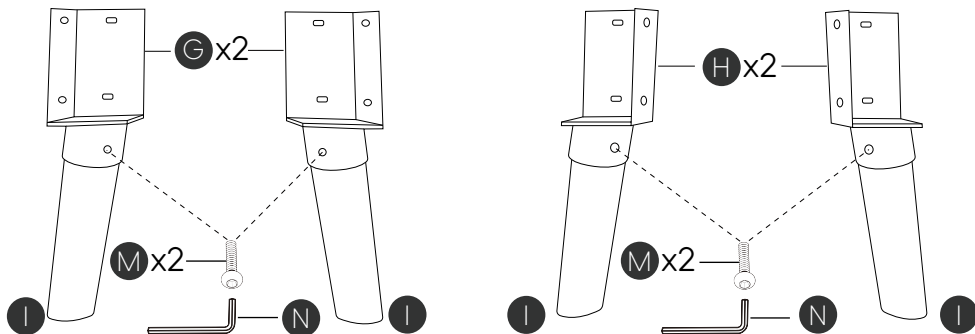
Installation

The installation steps are as follows:

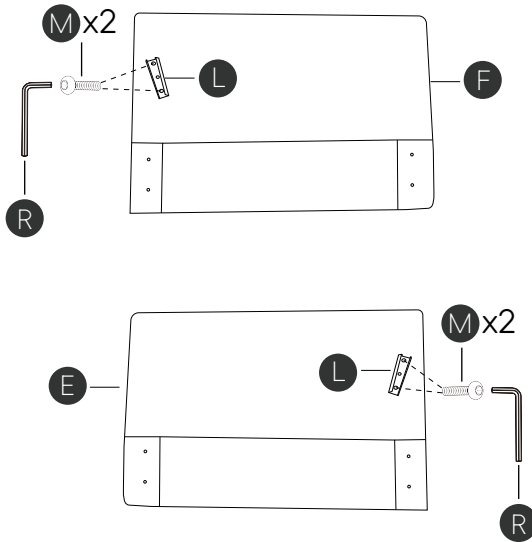
Step 1 Open the compressed packaging bag and let the cushions and backrests rest for 48 to 72 hours.



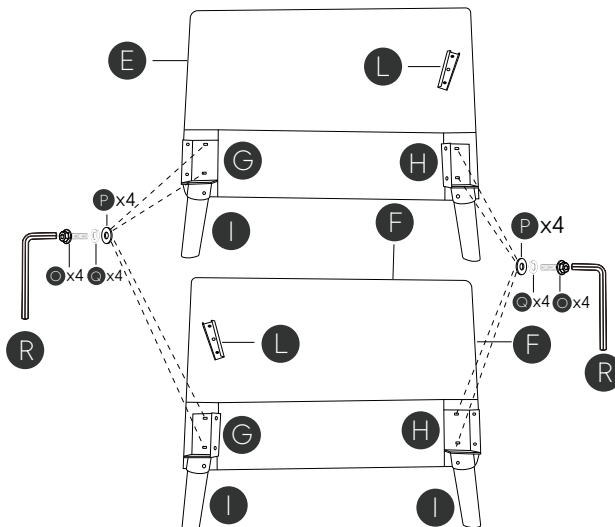
Step 2 Attach legs I to the bottom of components G and H using screws.



Step 3 Secure component L to both side arms with screws.



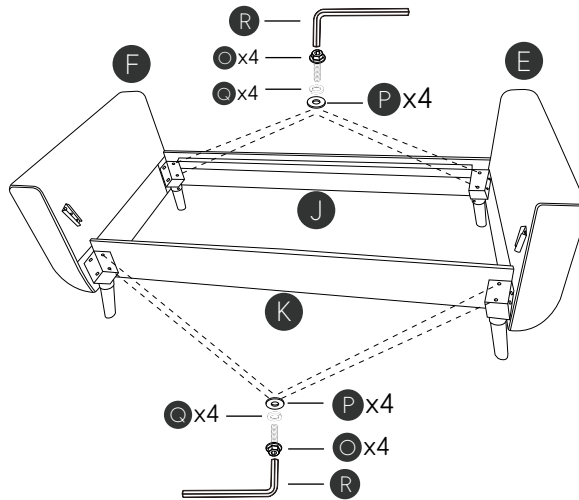
Step 4 Fasten the pre-assembled arms and legs together using screws.



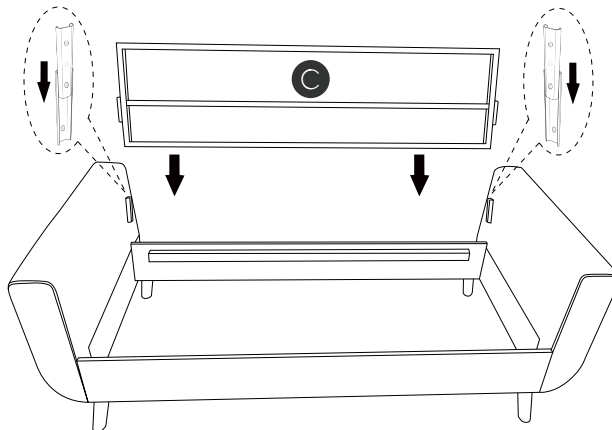
Installation

The installation steps are as follows:

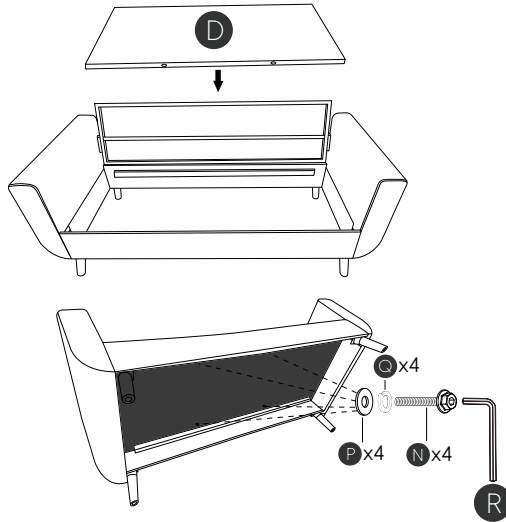
Step 5 Secure components J and K to the top of components G and H using screws.



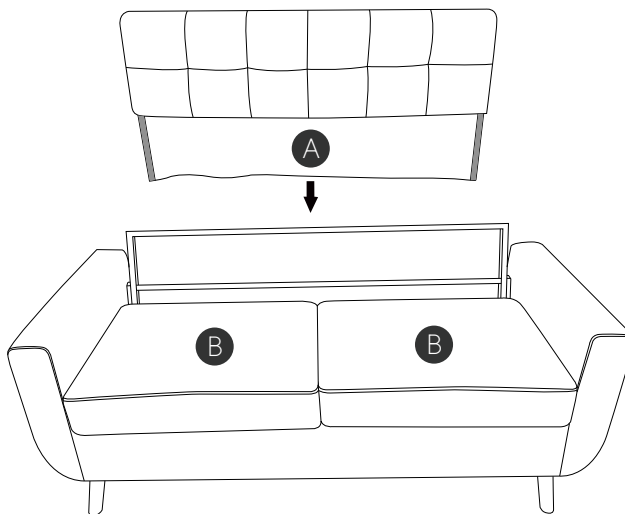
Step 6 Insert backrest frame C into component L on both side arms.



Step 7 Place component D onto the sofa base frame and secure with screws.



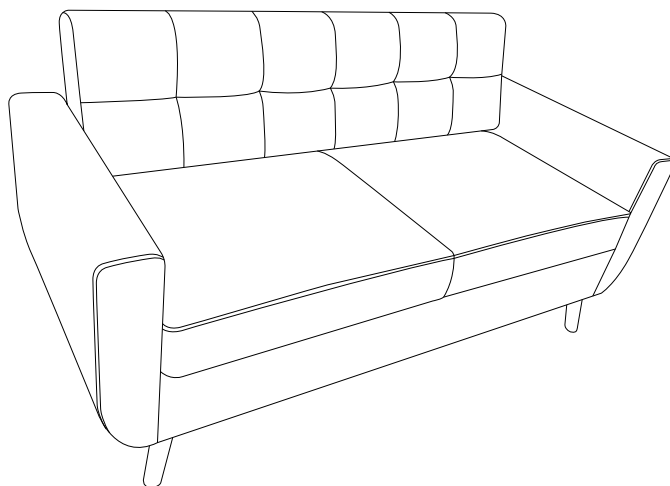
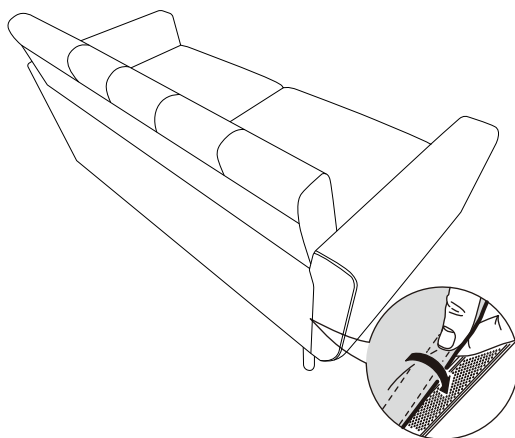
Step 8 First place cushion B onto the base, then insert part A into the backrest frame.



Installation

The installation steps are as follows:

Step 9 Press the hook-and-loop tape firmly.



Sofa Care

To keep your sofa looking great and extend its lifespan:

- Vacuum regularly with a soft brush attachment to remove dust and debris.
- Clean spills immediately with a clean cloth—do not rub forcefully.
- Wipe clean with a damp cloth. Use only mild fabric-safe cleaners. Test first on a hidden area.
- Avoid direct sunlight to prevent fading.
- Realign modules regularly to prevent shifting or gaps.
- Fluff and rotate cushions to maintain shape and comfort.
- Keep sharp objects away from the surface of the sofa.