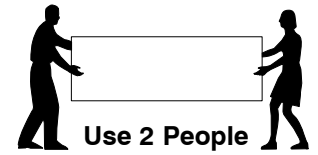
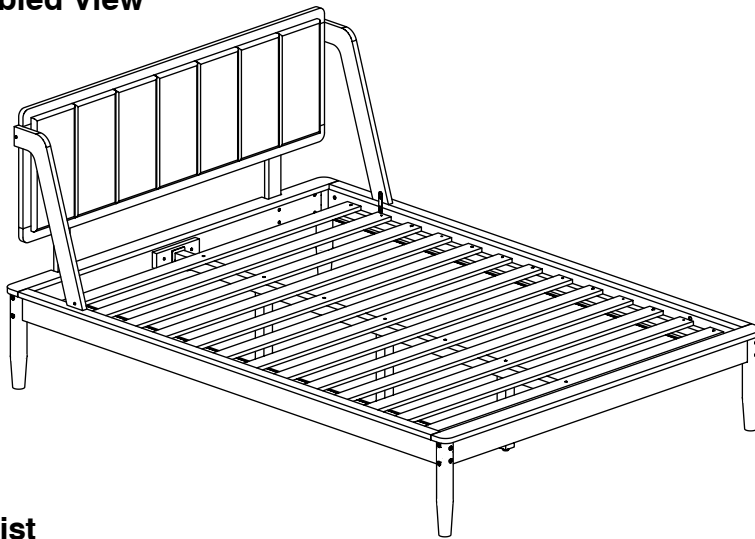


# Full Bed

Assembly Instructions

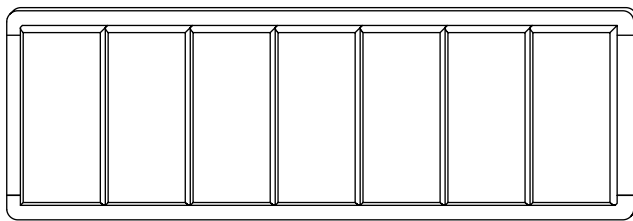
## 1 Assembled View



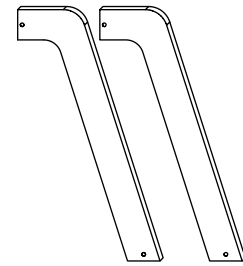
**Note:** Do not assemble using power tools. This can cause the bolts to be overtightened

## 2 Parts List

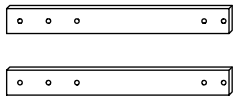
### Parts in Box A:



**A** Headboard x 1



**B** Headboard Support Rail x 2

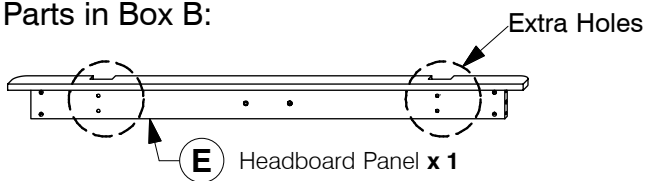


**C** Support Bar x 2

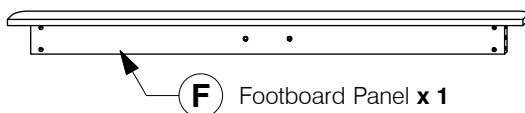


**D** Head / Footboard Support x 2

### Parts in Box B:



**E** Headboard Panel x 1



**F** Footboard Panel x 1



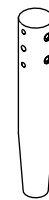
**G** Side Rail x 2



**H** Long Support x 1



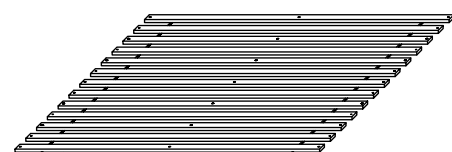
**J** Post (Left Hand) x 2



**K** Post (Right Hand) x 2



**L** Support Leg x 3


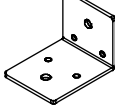
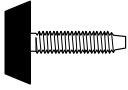
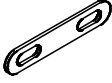


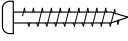

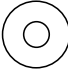

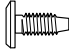








**M** Set of Bed Slats x 1

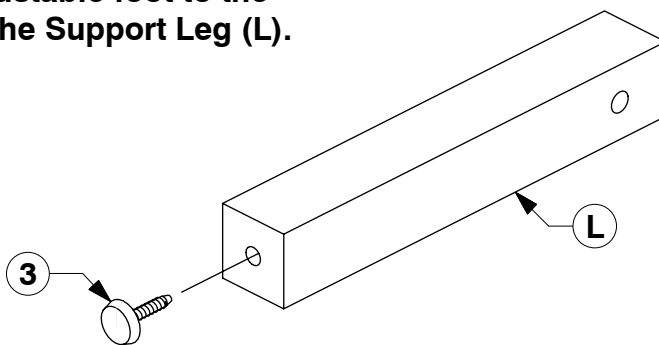
# Full Bed

## Assembly Instructions

### 3 Hardware List

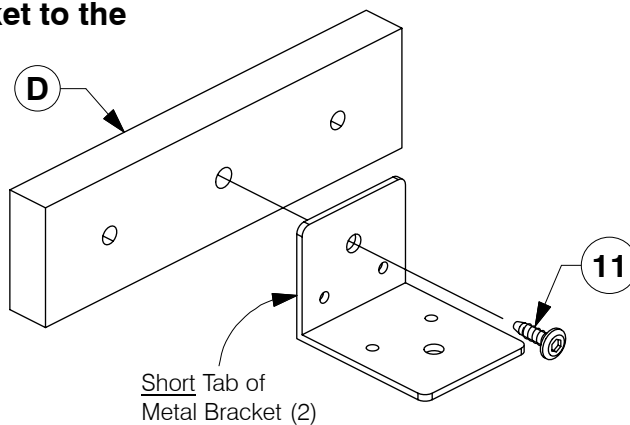
- |  |  |   |   |
|--|--|---|---|
| <br><b>1</b> M4 Allen Key<br>x 1            | <br><b>2</b> Center Rail<br>Bracket x 2 | <br><b>3</b> Adjustable<br>Foot x 3         | <br><b>4</b> Bracket (2003)<br>x 2 |
| <br><b>5</b> Wood Dowel<br>(M10 x 40mm) x 8 | <br><b>6</b> Barrel<br>Nut x 21         | <br><b>7</b> Wood Screw<br>(M4 x 32mm) x 12 | <br><b>8</b> Spring<br>Washer x 10 |
| <br><b>9</b> Flat Washer<br>x 10            | <br><b>10</b> M6 JCN Nut<br>x 2         | <br><b>11</b> M6 x 15mm JCB<br>x 8          | <br><b>12</b> M6 x 30mm JCB<br>x 4 |
| <br><b>13</b> M6 x 35mm JCB<br>x 6          | <br><b>14</b> M6 x 40mm JCB<br>x 22     | <br><b>15</b> M6 x 60mm JCB<br>x 2         |   |
| <br><b>16</b> M6 x 90mm JCB<br>x 16       | <br><b>17</b> M6 x 100mm JCB<br>x 3  |   |   |

### 4 Fix the Adjustable foot to the bottom of the Support Leg (L).



x3

### 5 Fit the Center Rail Bracket to the Head / Footboard Support (D).

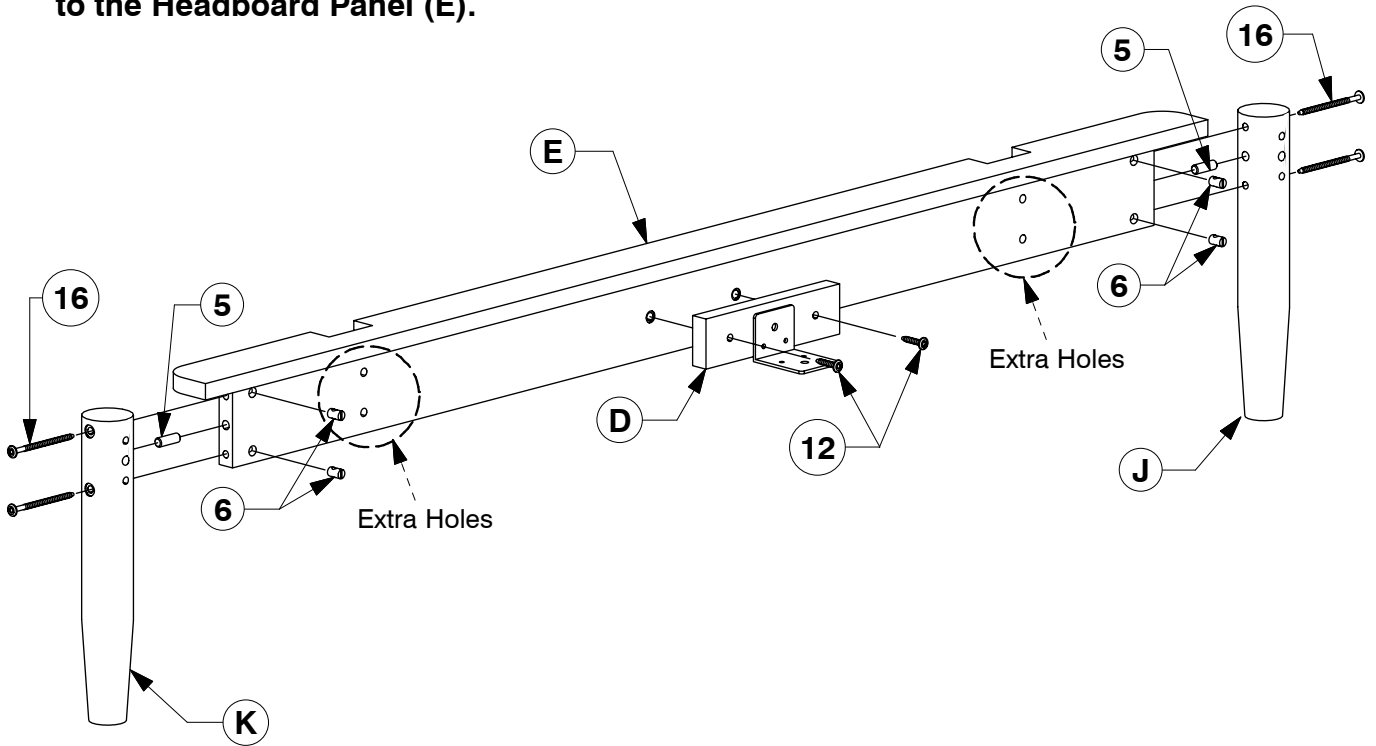


x2

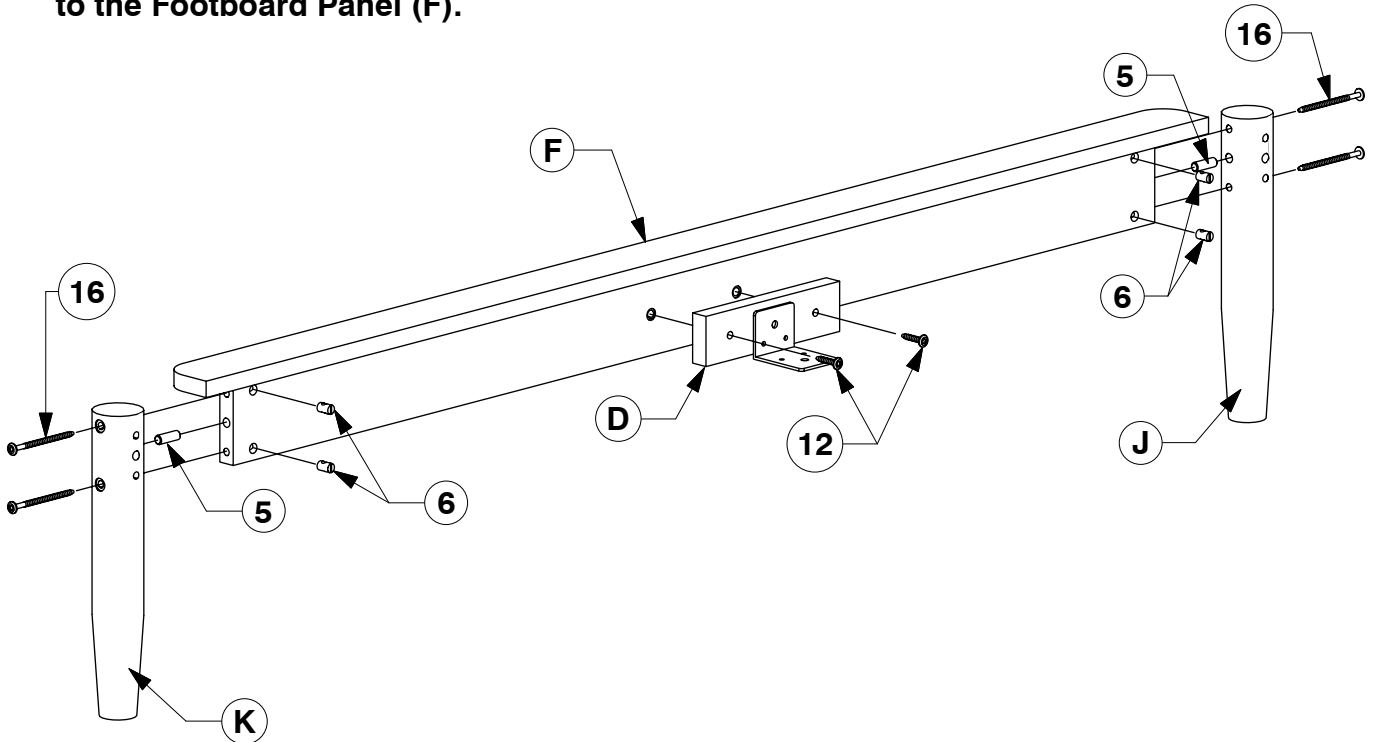
# Full Bed

## Assembly Instructions

- 6 Assemble the Post (J & K) and Head / Footboard Support (D) to the Headboard Panel (E).**



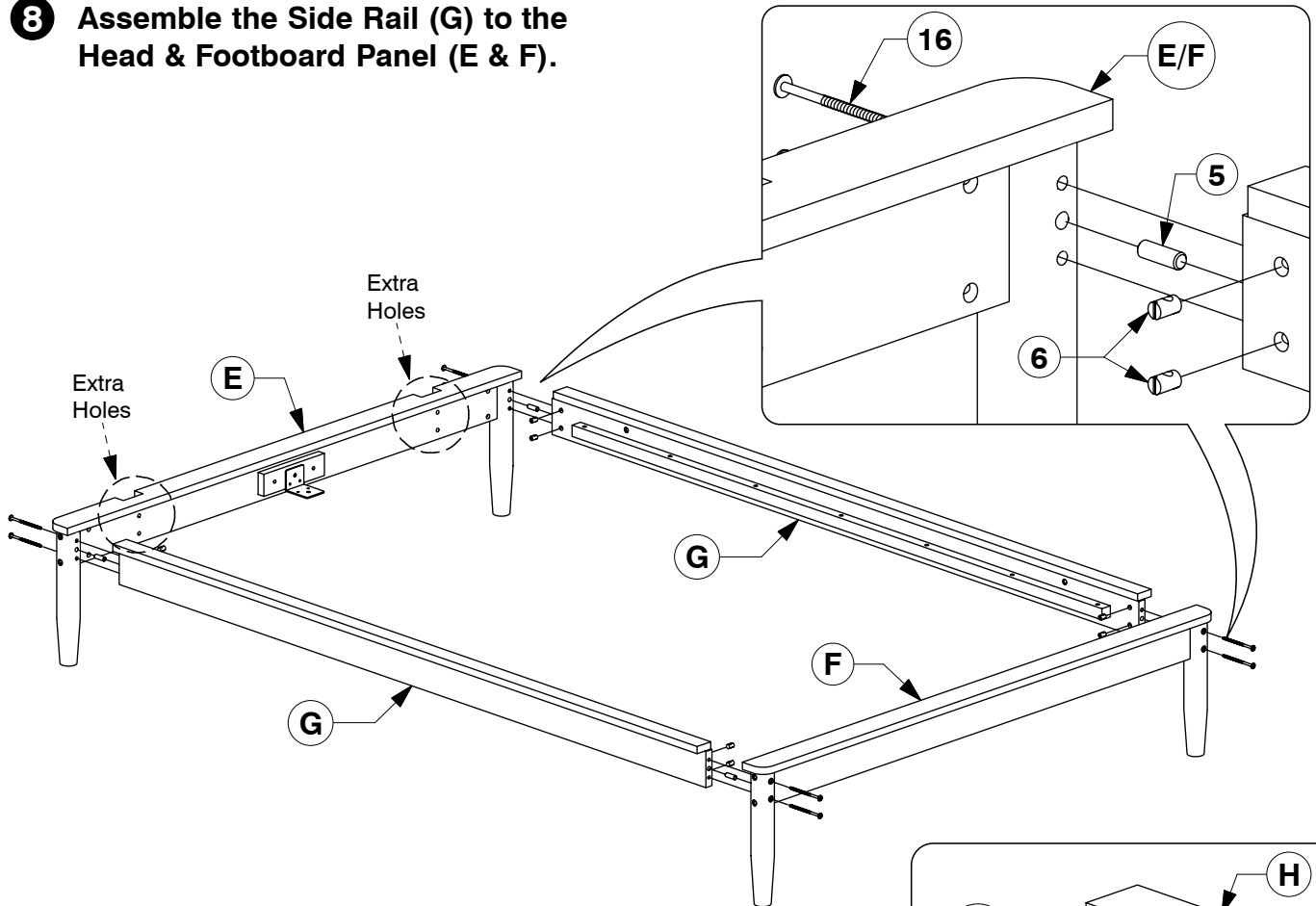
- 7 Assemble the Post (J & K) and Head / Footboard Support (D) to the Footboard Panel (F).**



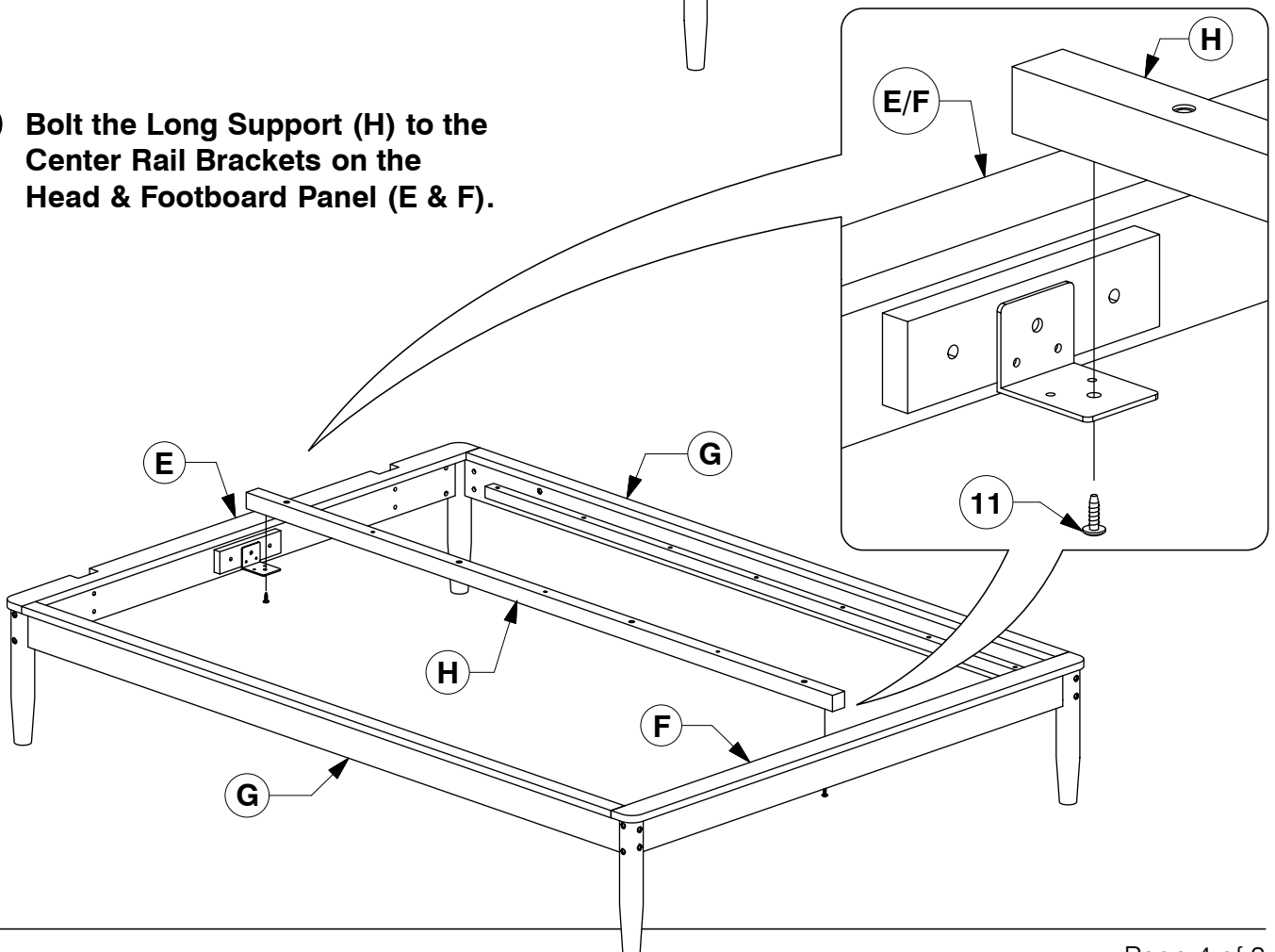
# Full Bed

## Assembly Instructions

- 8** Assemble the Side Rail (G) to the Head & Footboard Panel (E & F).



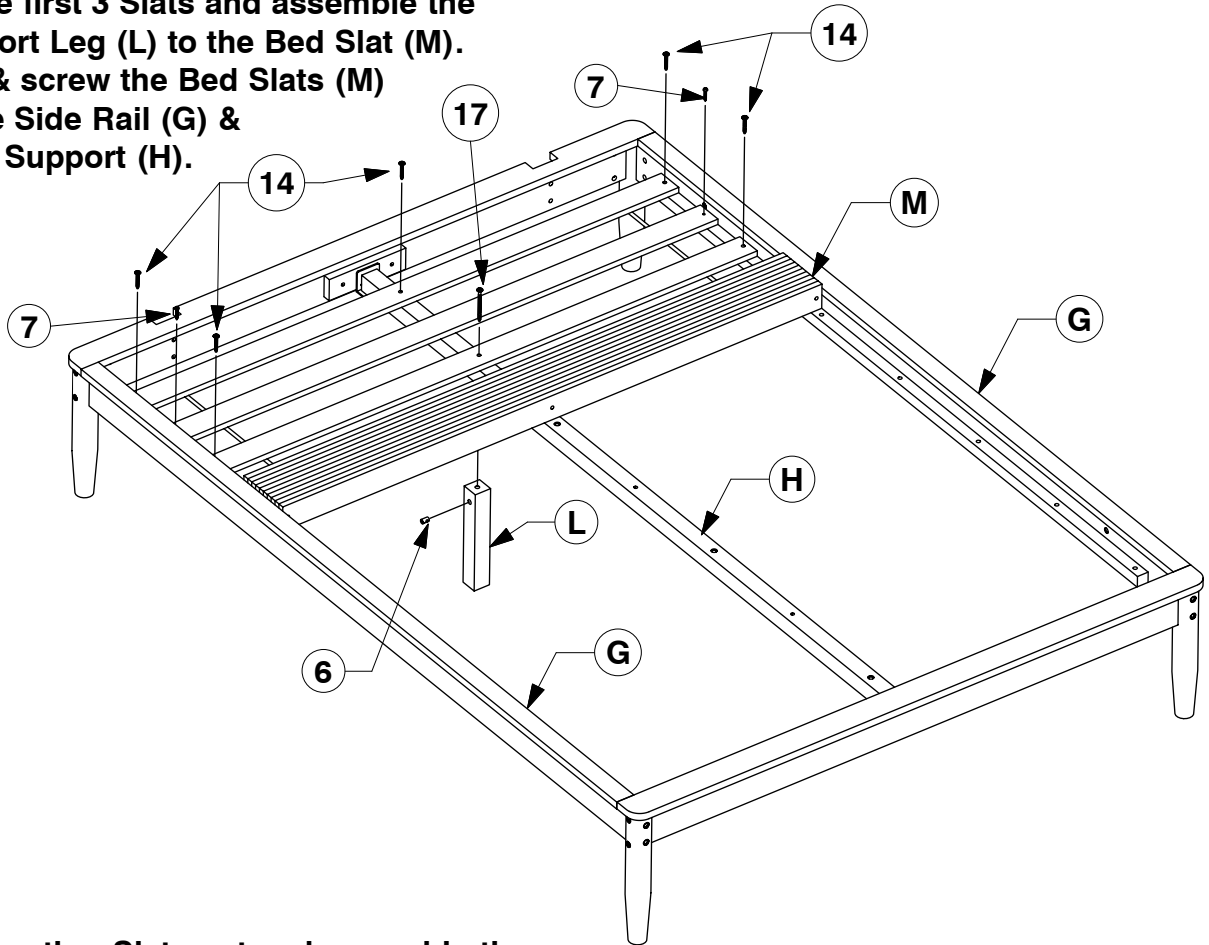
- 9** Bolt the Long Support (H) to the Center Rail Brackets on the Head & Footboard Panel (E & F).



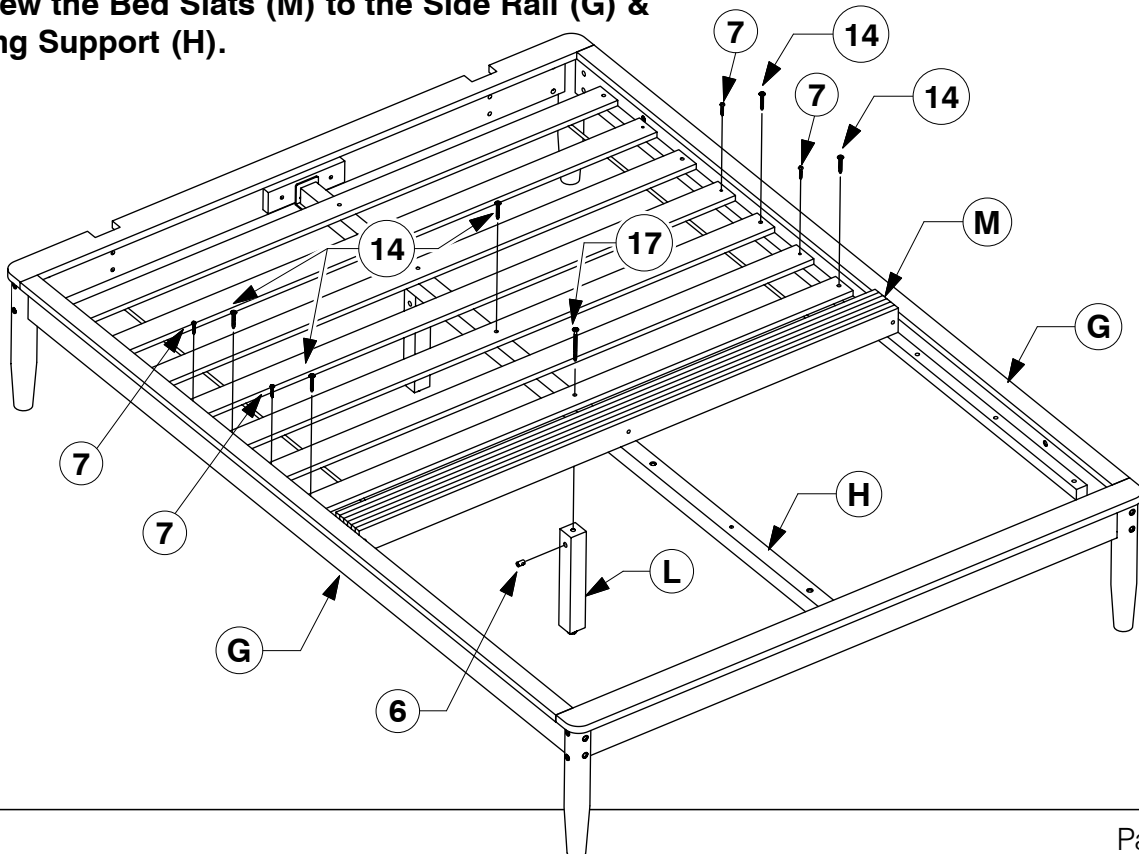
# Full Bed

## Assembly Instructions

- 10** Fit the first 3 Slats and assemble the Support Leg (L) to the Bed Slat (M). Bolt & screw the Bed Slats (M) to the Side Rail (G) & Long Support (H).



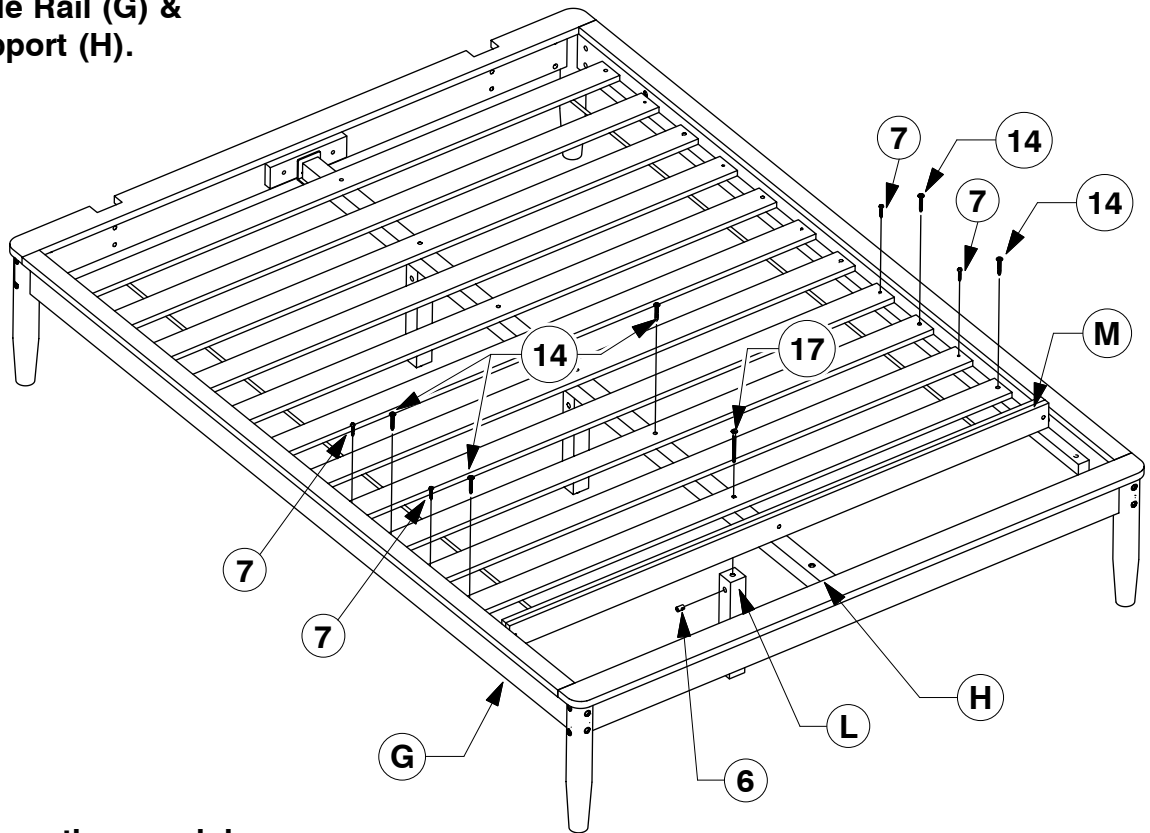
- 11** Fit the other Slats out and assemble the Support Leg (L) to the Bed Slat (M). Bolt & screw the Bed Slats (M) to the Side Rail (G) & Long Support (H).



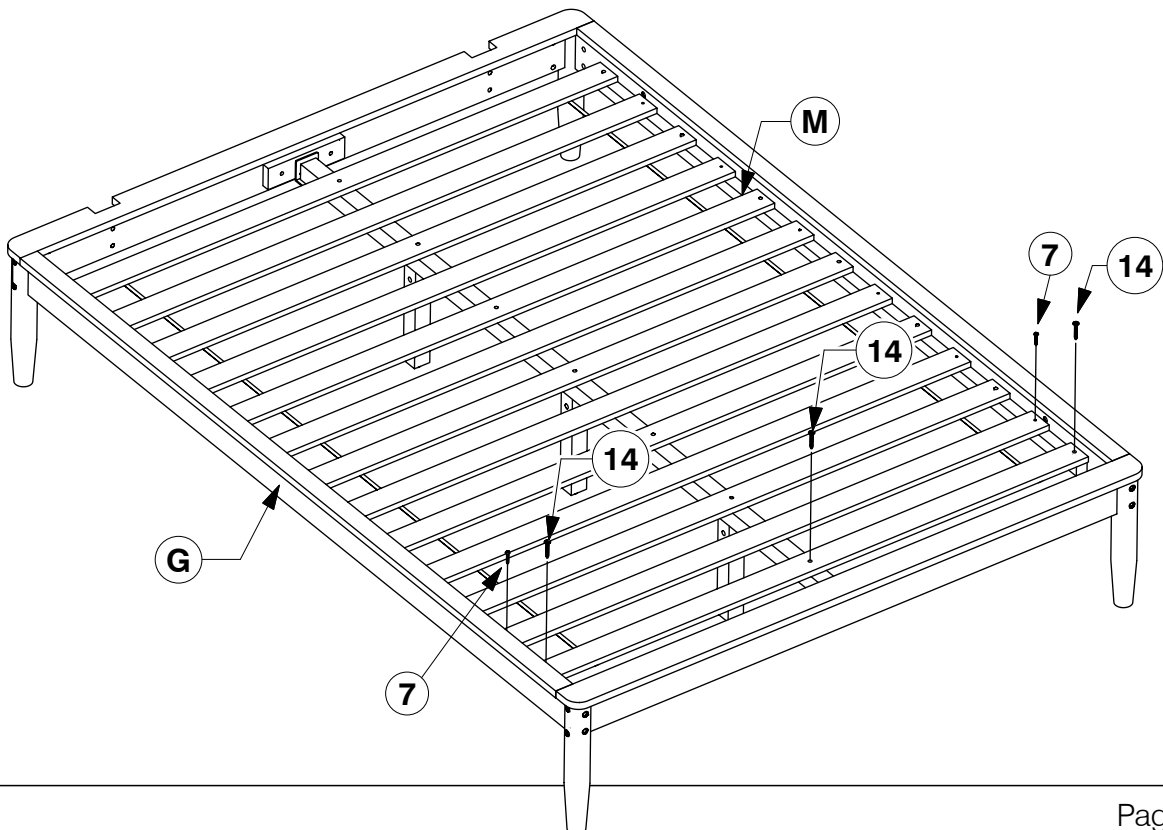
# Full Bed

## Assembly Instructions

- 12** Fit the other Slats out and assemble the Support Leg (L) to the Bed Slat (M). Bolt & screw the Bed Slats (M) to the Side Rail (G) & Long Support (H).



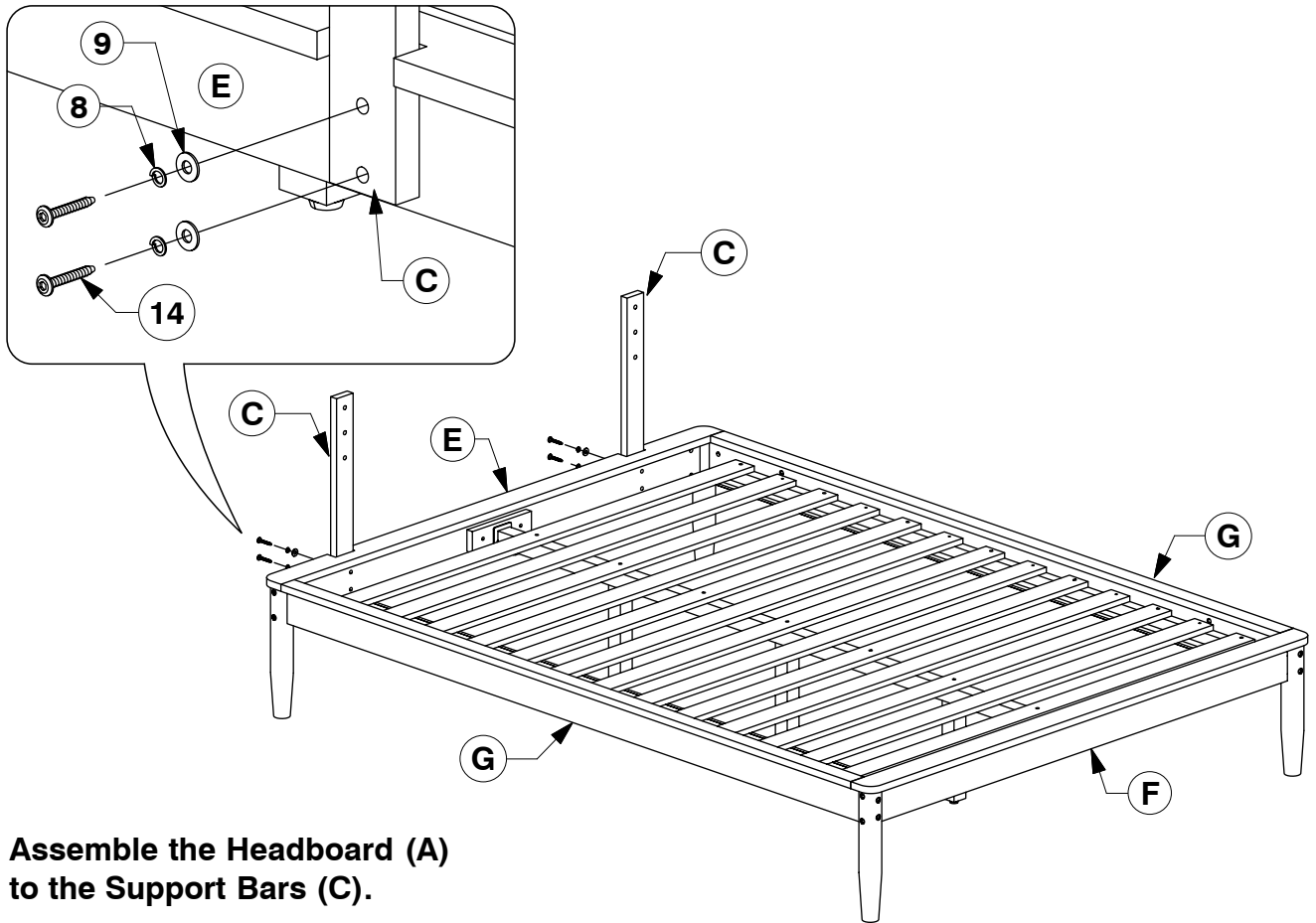
- 13** Bolt & screw the remaining Bed Slats (M) to the Side Rail (G).



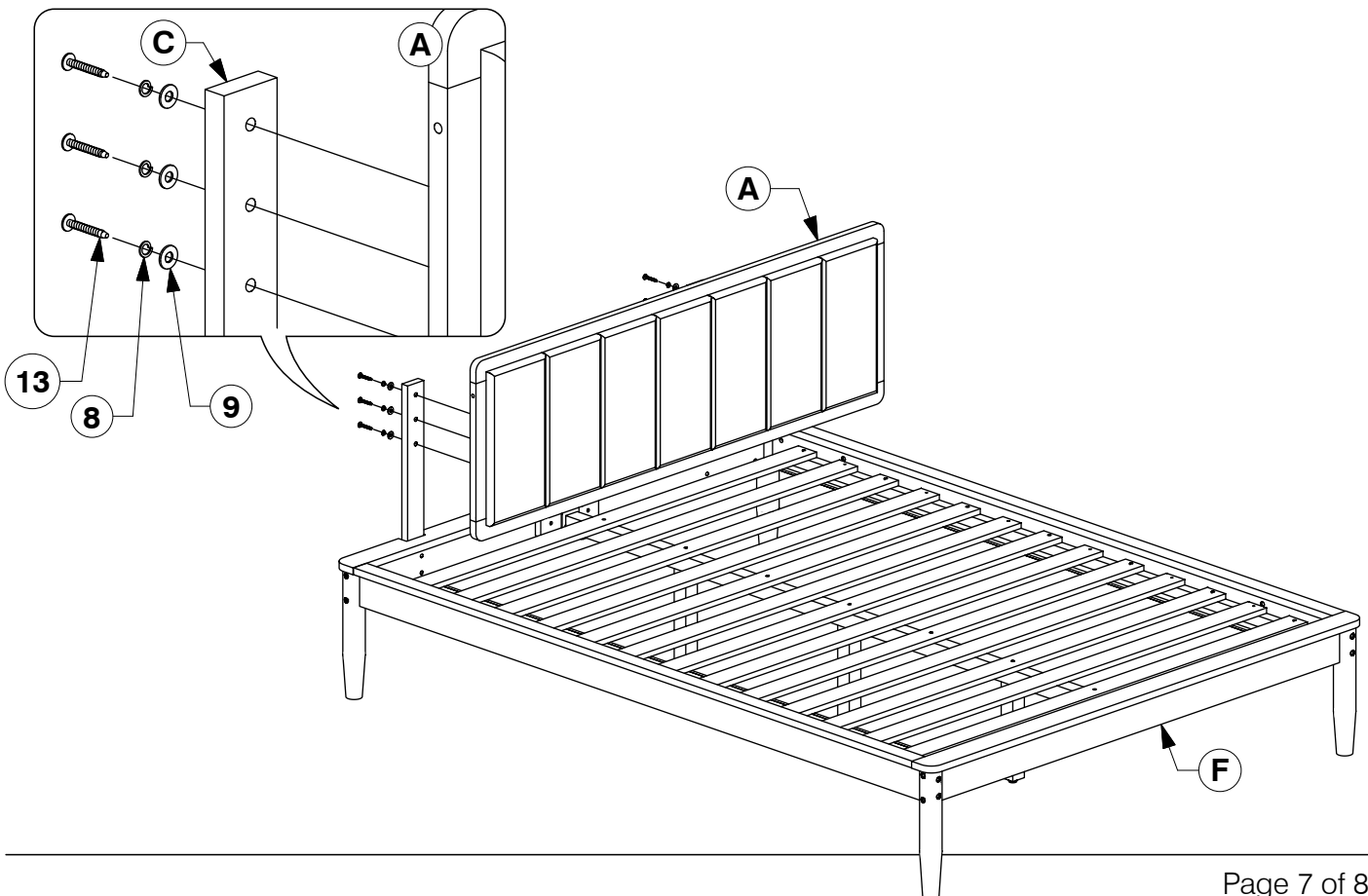
# Full Bed

## Assembly Instructions

- 14** Assemble the Support Bars (C) to the Headboard Panel (E).



- 15** Assemble the Headboard (A) to the Support Bars (C).



# Full Bed

## Assembly Instructions

- 16** Fit the Headboard Support Rails (B) to the Headboard Panel (A) & Side Rail (G).

