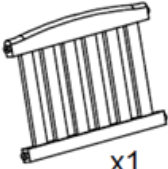

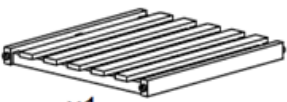
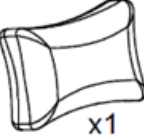


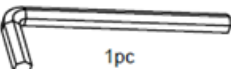


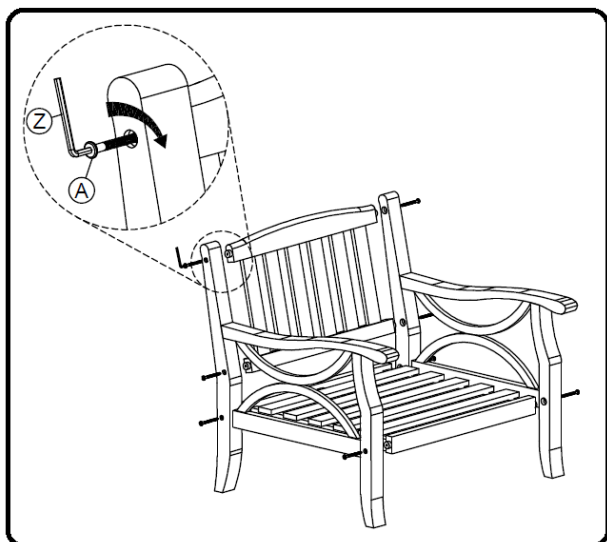
Armchair

Customer Service:

- Please ensure that you check all the contents of your delivery packaging against the contents list on the enclosed Instruction Manual before assembling the item.
- Keep all the packaging including internal fittings until you have successfully put together and installed your purchase.
- This product is made from natural wood colour variation may occur.
- Please ensure that all components are fitted correctly before using either the chair.
- Under no circumstances should you abruptly sit or jump on the chair.
- Do not stand or kneel on the chair.
- Please check all the assembly work before you sit on the chair.
- Make sure all the screws and bolts are tightened properly.
- Periodically check all fixings to ensure they remain secure.
- Prolonged exposure to the elements will inevitably lead to weathering – store away indoors throughout winter to preserve appearance.
- Clean using a mild detergent –do not use abrasive cleaners
- When sitting in the chairs do not lean back and put excessive pressure on the back rest.
- Keep all four chair legs on the floor when using the chair.

Component list:

 <p>Back rest x1</p>	 <p>Right and left arm piece x1</p>
 <p>Seat Pad x1</p>	
 <p>Back rest, seat cushion x1</p>	 <p>A 8pcs</p>
 <p>Seat cushion x1</p>	 <p>Z 1pc</p>

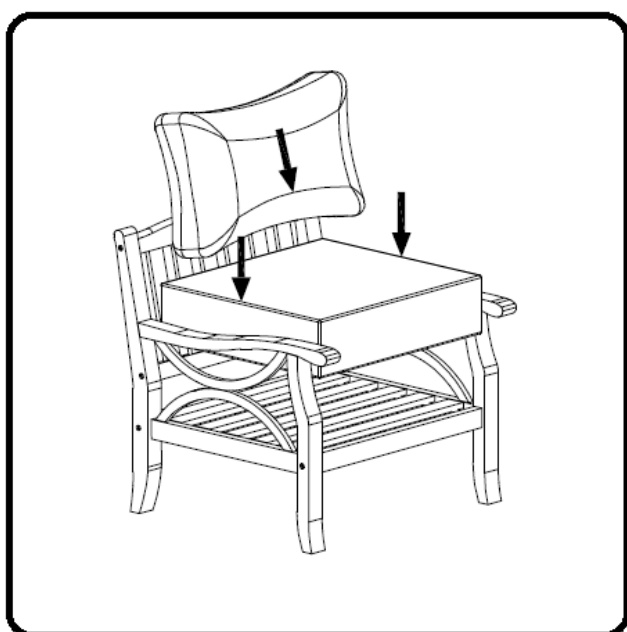


In the Recess in one arm piece line up the back rest and the seat pad.

Then loosely thread and tighten together with Part A.

Repeat with the second arm.

Tighten all the screws.



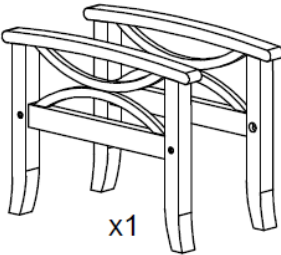
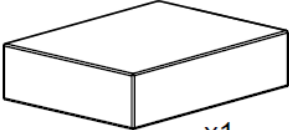

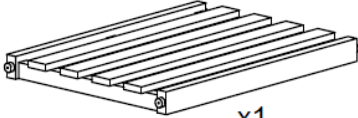
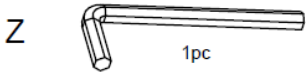
Add the cushions and enjoy the product.

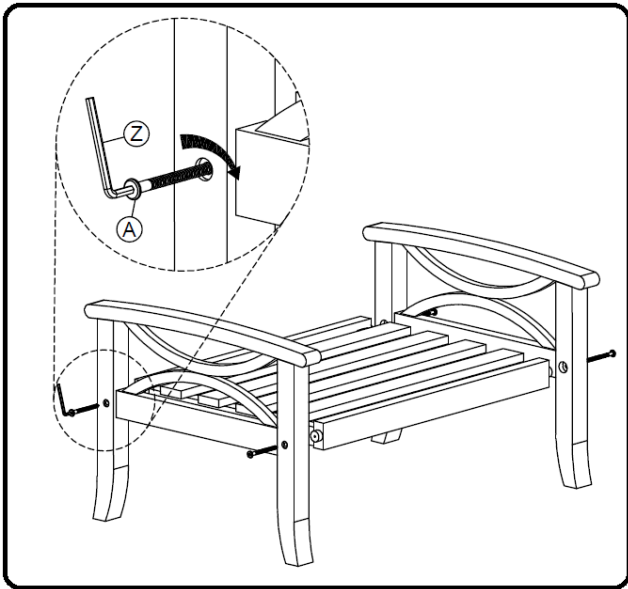
Footstool

Customer Service:

- Please ensure that you check all the contents of your delivery packaging against the contents list on the enclosed Instruction Manual before assembling the item.
- Keep all the packaging including internal fittings until you have successfully put together and installed your purchase.
- This product is made from natural wood colour variation may occur.
- Please ensure that all components are fitted correctly before using the footstool
- Under no circumstances should you abruptly sit or jump on the footstool.
- Do not stand or kneel on the footstool.
- Please check all the assembly work before you sit on the footstool.
- Make sure all the screws and bolts are tightened properly.
- Periodically check all fixings to ensure they remain secure.
- Prolonged exposure to the elements will inevitably lead to weathering – store away indoors throughout winter to preserve appearance.
- Clean using a mild detergent –do not use abrasive cleaners
- This footstool can be used as an impromptu chair when required, please beware this product has no back rest and therefore take care if leaning back not to fall backwards.
- Keep all four footstool legs on the floor when using the footstool.

Component list:

 <p>x1</p> <p>Left and Right Arm</p>	 <p>x1</p> <p>Cushion</p>	 <p>A</p> <p>4pcs</p> <p>Fixing Screw</p>
	 <p>x1</p> <p>Seat Pad</p>	 <p>Z</p> <p>1pc</p> <p>Hexagonal Wrench</p>

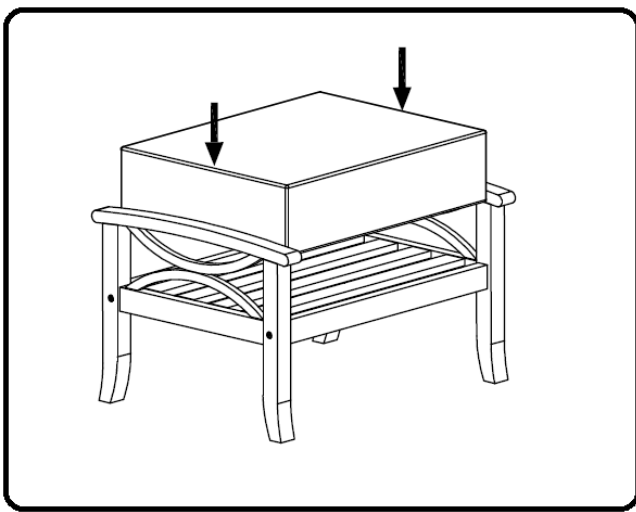


In the Recess in one arm piece line up the back rest and the seat pad.

Then loosely thread and tighten together with Part A.

Repeat with the second arm.

Tighten all the screws.



Add the cushions and enjoy the product.