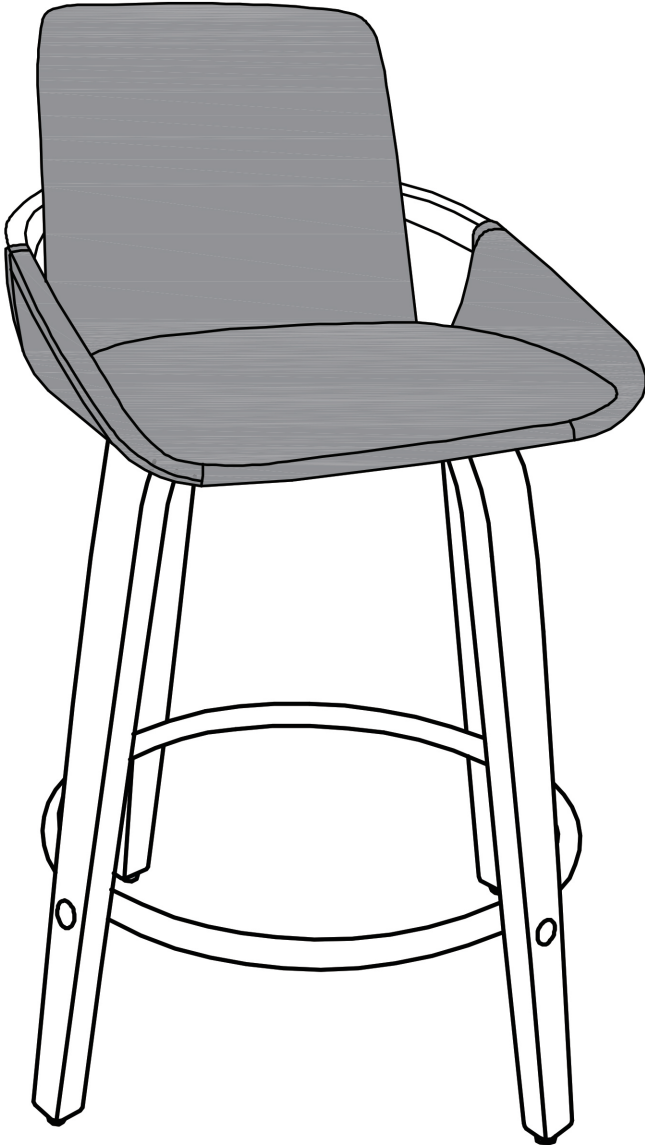
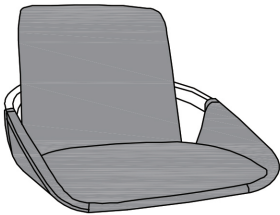
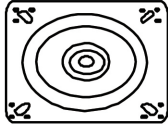
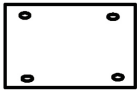
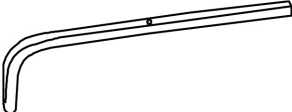
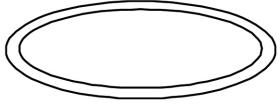


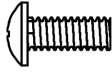




Assembly Instructions

Barstool

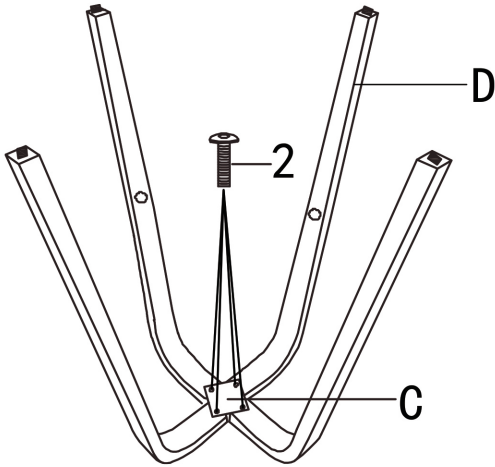


Parts List

A  1pc	B  1pc	C  1pc
D  4pcs	E  1pc	1  M6*25MM 4pcs
2  M6*20MM 8pcs	3  M6*18MM 4pcs	4  M6 Allen Key 1pc
5  4pcs		

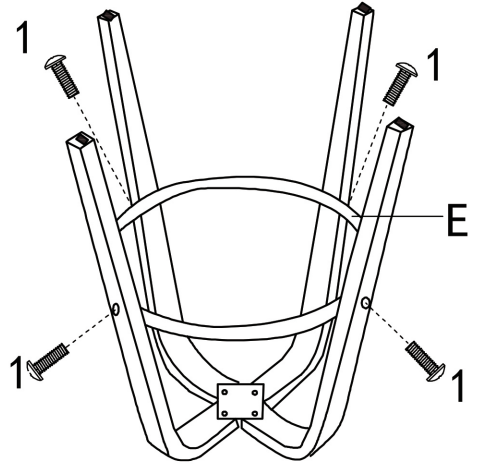
Step 1

For the convenience of the next installation, please tighten the screws to only **50%**.



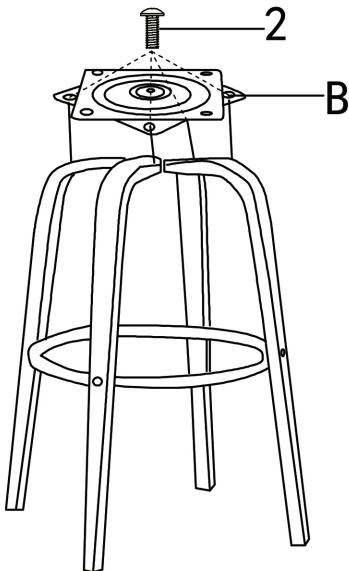
Step 2

For the convenience of the next installation, please tighten the screws to only **50%**.



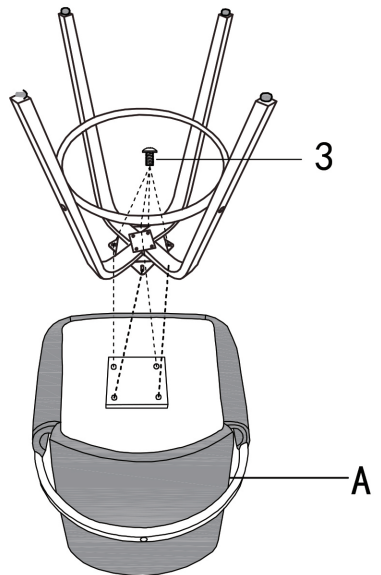
Step 3

Fasten All screws indicate on Step 1& Step2.

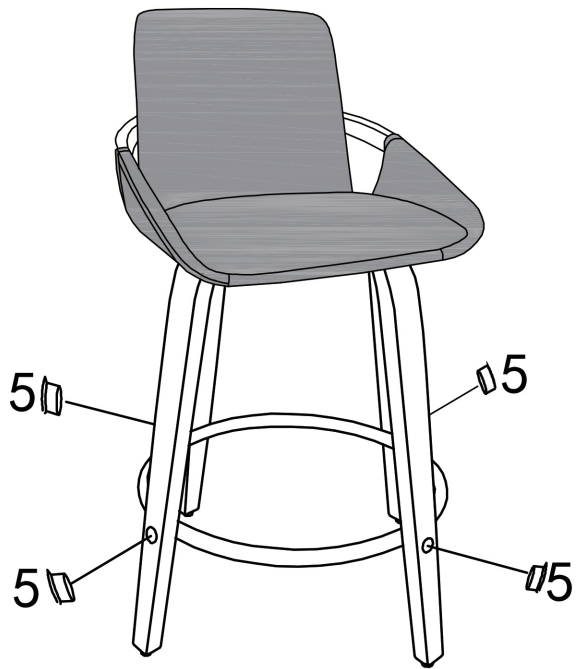


Step 4

Tighten the screws to **100%**.



Step 5



Step 6



Step 5

