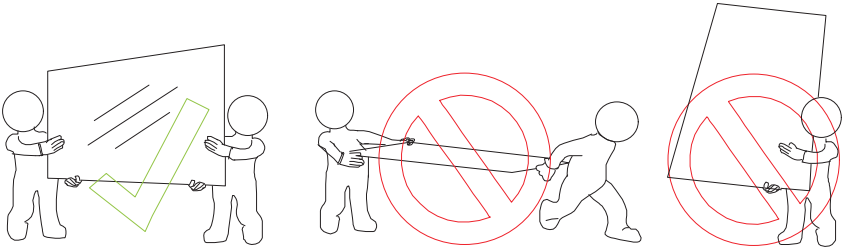
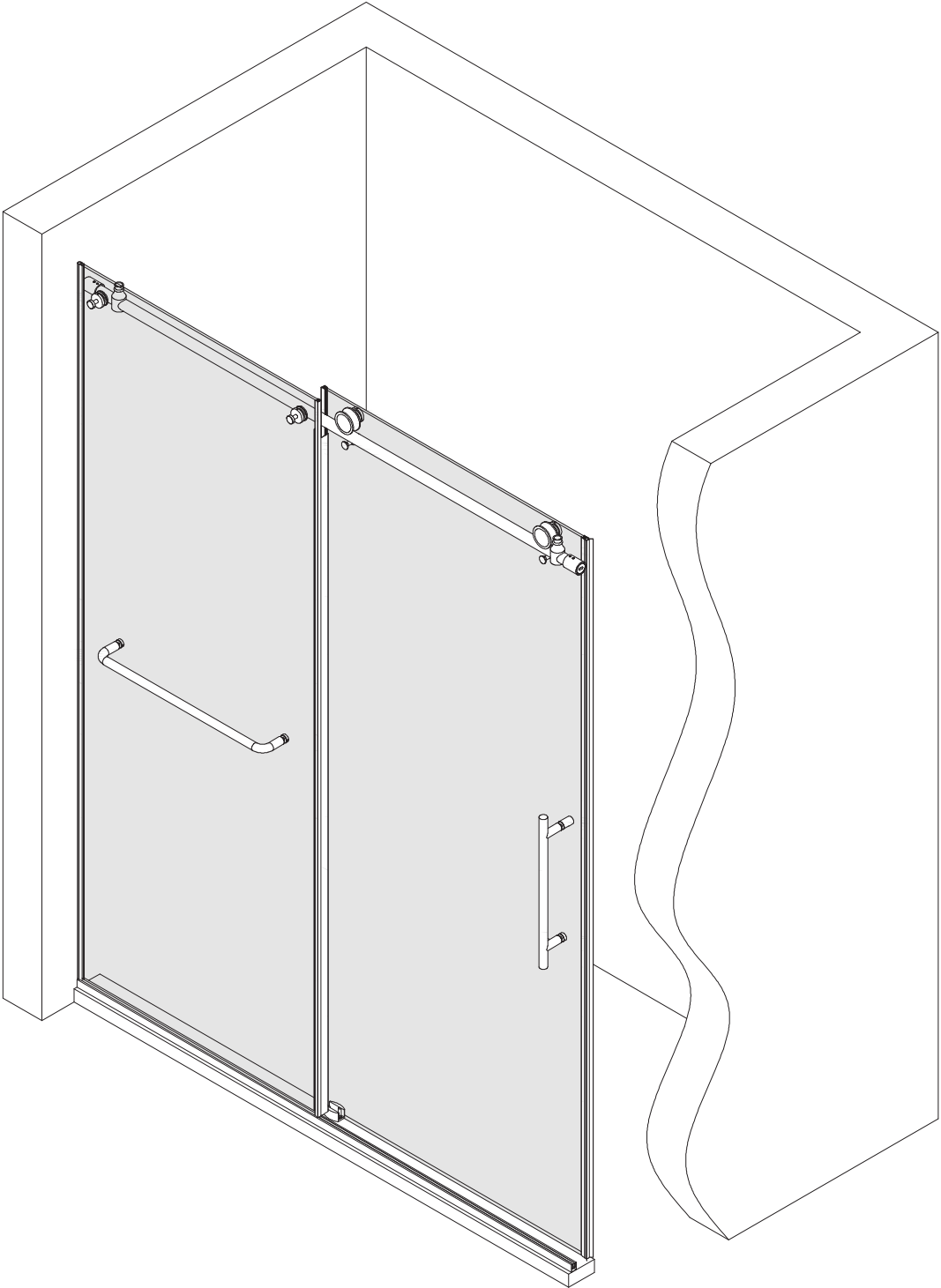
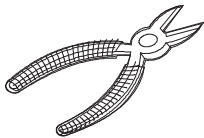
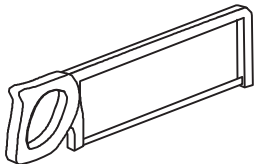
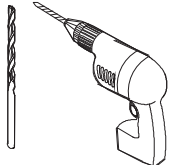
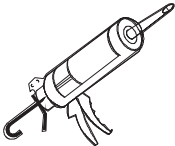
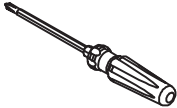
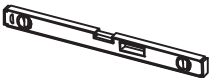
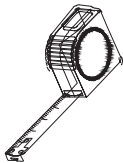

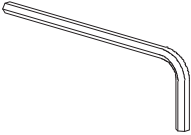



INSTALLATION MANUAL



NOTE: Installation Requires 2 People

Tools and Materials

		 ∅ 6mm 30 / 127" ∅ 8mm 20 / 127"		
Cutting Plier	Hack Saw	Drill	Caulk Gun	Screwdriver
				
Level	Tape Measure	Pencil	Allen Key	Mallet

Before You Begin

- ⚠ **CAUTION:** Risk of injury. Always wear safety glasses when cutting or drilling.
- ⚠ **CAUTION:** Risk of injury or product damage. Tempered glass cannot be cut.
- Before starting the installation, lay out and identify the parts. Inspect them for damage.
- The bath/shower or receptor should be installed/prepared at this time, including finished wall materials.

Installation on Tiled Surfaces

If your shower door will be installed over tiles, ensure the tiles are fully laid beneath the door frame.

Shower Door Care

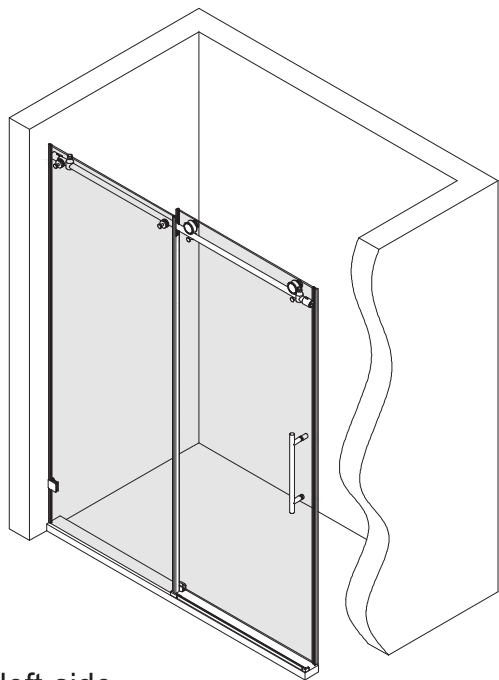
Do not use abrasive pads or sharp tools on any metal parts or glass surfaces.

To maintain a clean and like-new appearance, wipe with diluted mild soap and water.

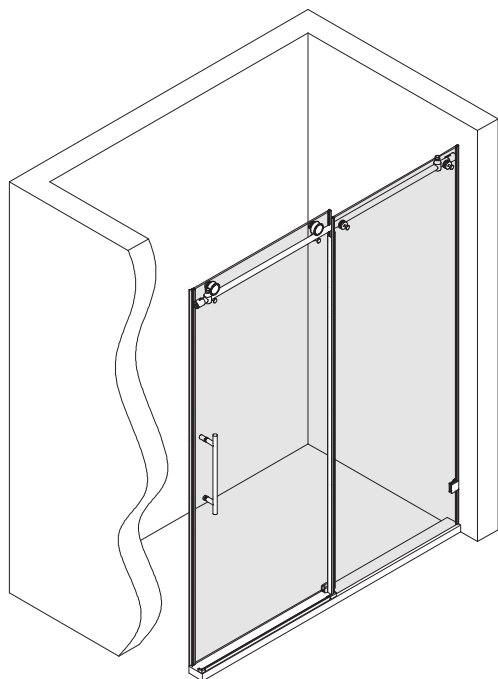
We recommend using a squeegee to dry the glass panels after each use.

Overall Installation displaying

The product can be installed in reverse.
The manual shows the left-sliding direction;
for right-sliding, install as a mirror image.

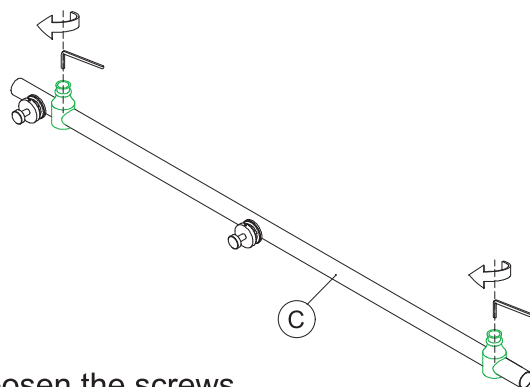


left-side
(Right in and out)

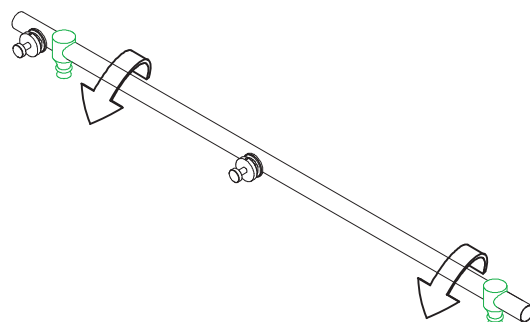


right-side
(Left in and out)

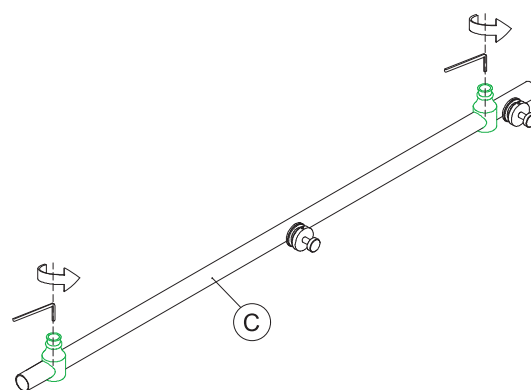
The top rail comes pre-assembled from the factory.
The orientation of the wine bottle bumper can be changed by adjustment.



Loosen the screws.

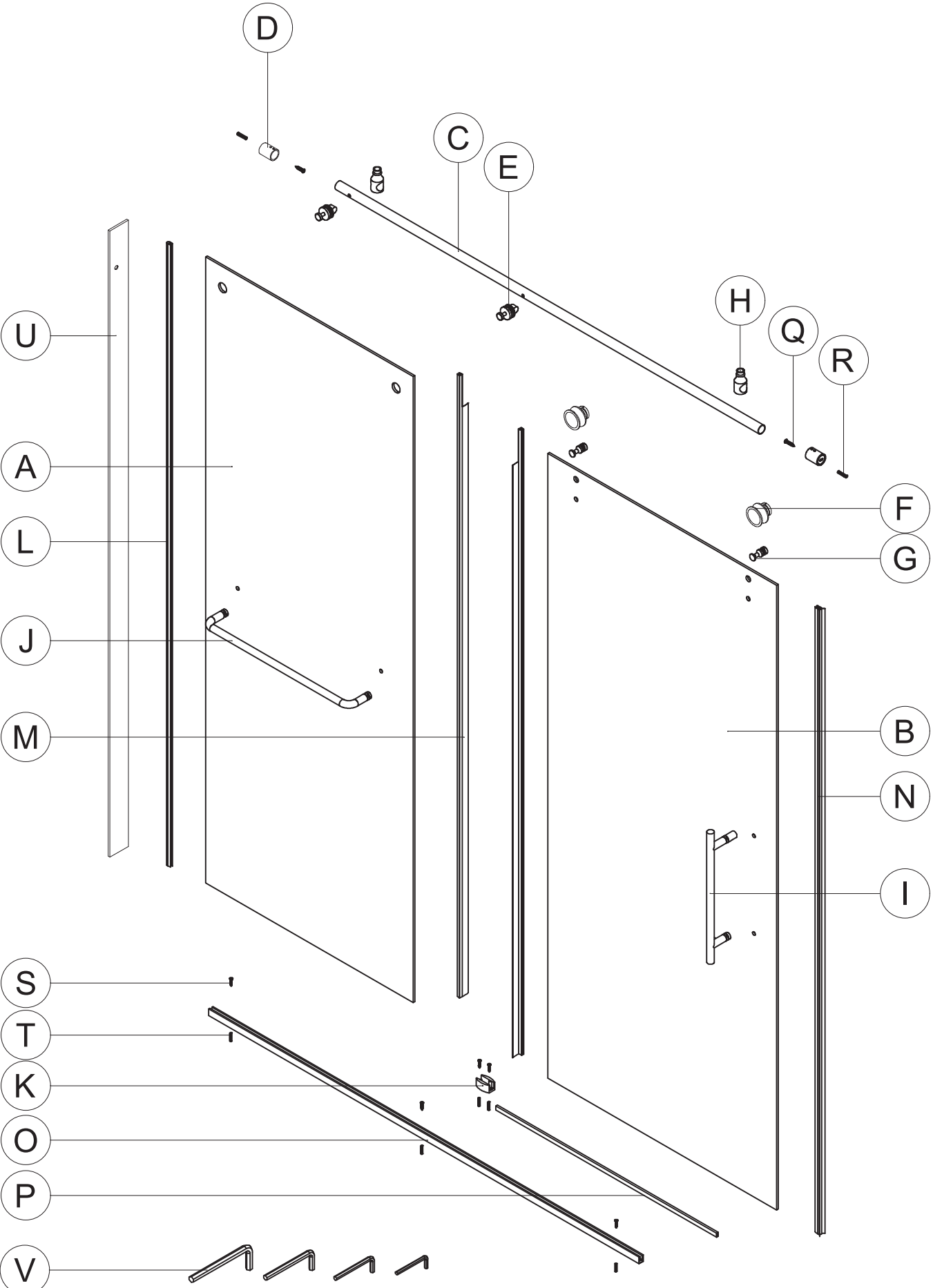


Rotate the wine bottle bumper.


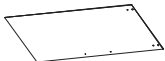











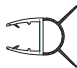










Tighten the screws securely.

Detailed Diagram of Shower Door Components



Parts And Hardware Listing

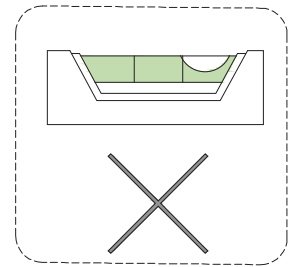
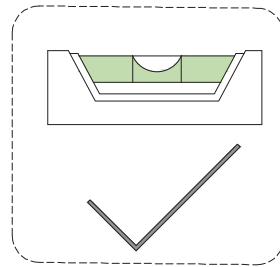
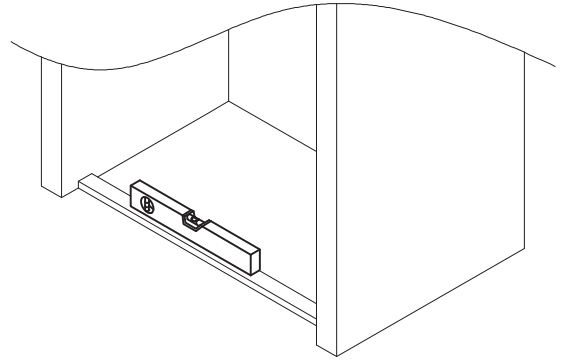
ITEM	NAME	QTY	PICTURE
(A)	Fixed Glass	1	
(B)	Movable Glass	1	
(C)	Top Track	1	
(D)	25mm Round Tube Wall Bracket	2	
(E)	Tube Clip with Hook	2	
(F)	Pulley	2	
(G)	Anti-jump Pin	2	
(H)	Wine Bottle Anti-collision Pad	2	
(I)	Handle	1	
(J)	Towel Bar	1	
(K)	Slider	1	
(L)	Bubble Seal Strip	1	
(M)	Side Water Stop Seal Strip	2	
(N)	Door Glass Seal Strip	1	
(O)	Stainless Steel Bottom Water Stop	1	
(P)	Stainless Steel Bottom Water Stop Decorative Strip	1	
(Q)	Fixing screws 5mm x 40mm	2	
(R)	Hollow wall plugs 8mm x 40mm	2	
(S)	Fixing screws 4mm x 25mm	5	
(T)	Hollow wall plugs 6mm x 30mm	5	
(U)	Installation Template	1	
(V)	Allen key (2.5mm&3mm&4mm&5mm)	4	

STEP 1.1

Measure the on-site installation conditions and adjust

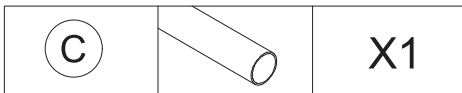


The installation shown is based on plumb finished walls and a levelled Base. If these conditions are not met, please adjust accordingly.



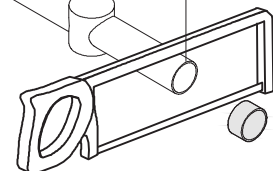
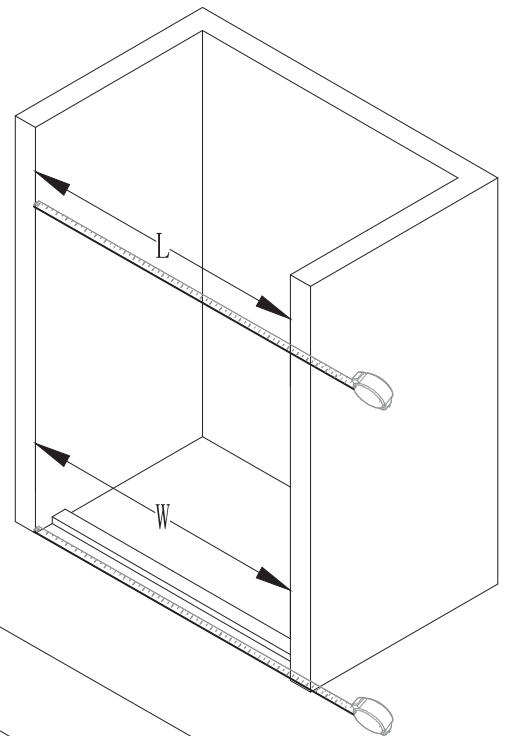
STEP 1.2

Measure and cut the top track







$$L1 = L - 20\text{mm} \left(\frac{13}{16}'' \right)$$

Top track length = Opening width - 20mm ($\frac{13}{16}''$)



STEP 2

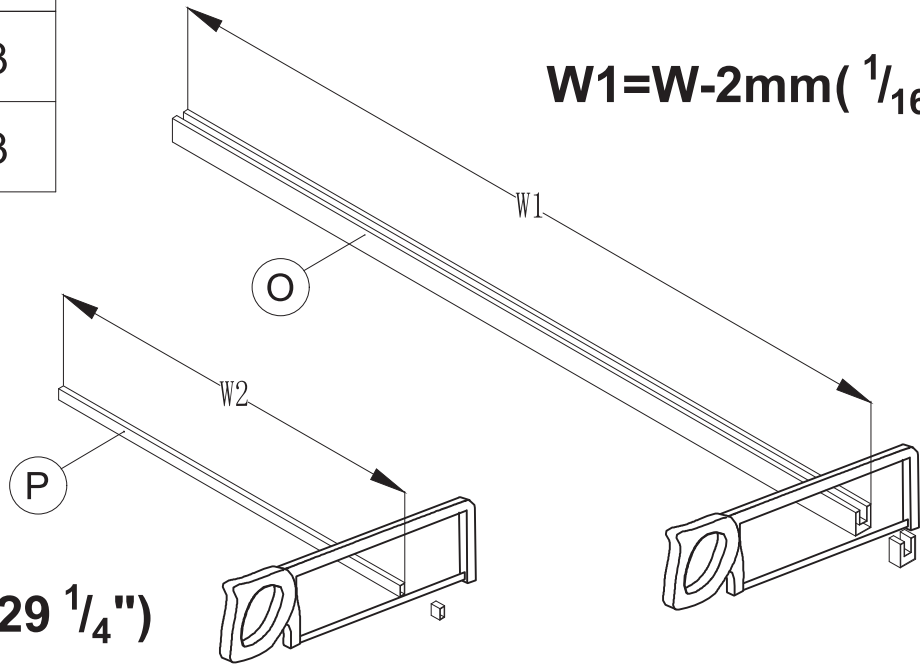
Measure and cut the bottom track

O		X1
P		X1
S		X3
T		X3

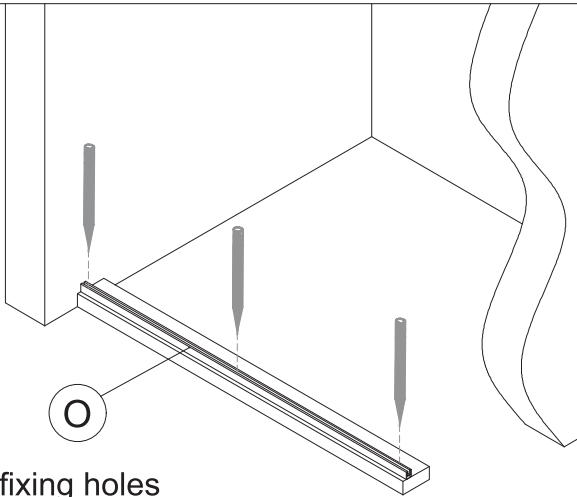
Bottom track length = Opening width - 2mm ($\frac{1}{16}$ ")

$$W1 = W - 2\text{mm} (\frac{1}{16} \text{''})$$

$$W2 = W - 743\text{mm} \quad (29 \frac{1}{4} \text{''})$$



2-1

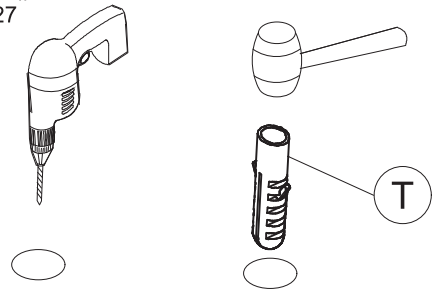


Mark the fixing holes

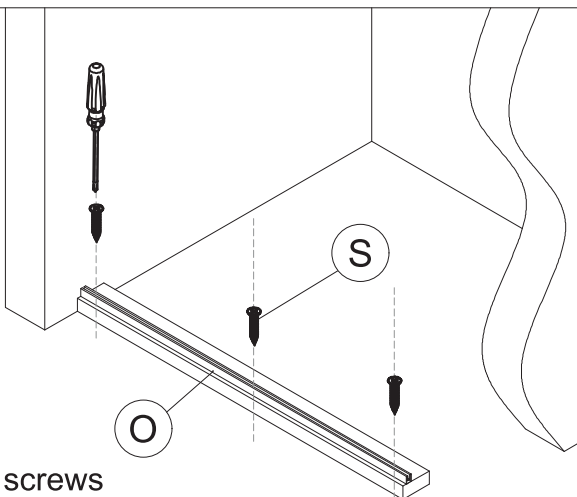
2-2

Drill holes at the marked positions and insert hollow wall plugs

$\varnothing 6\text{mm}$ $\frac{30}{127}$ "

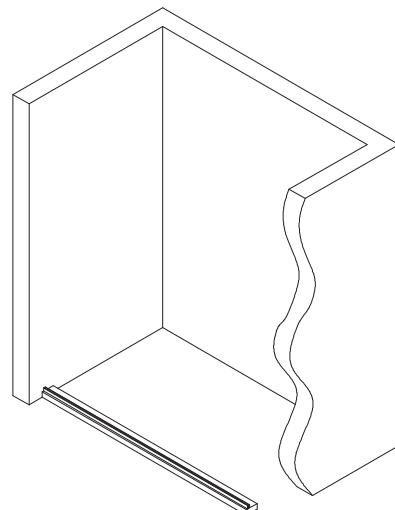


2-3



Fix with screws

2-4


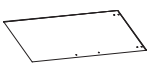




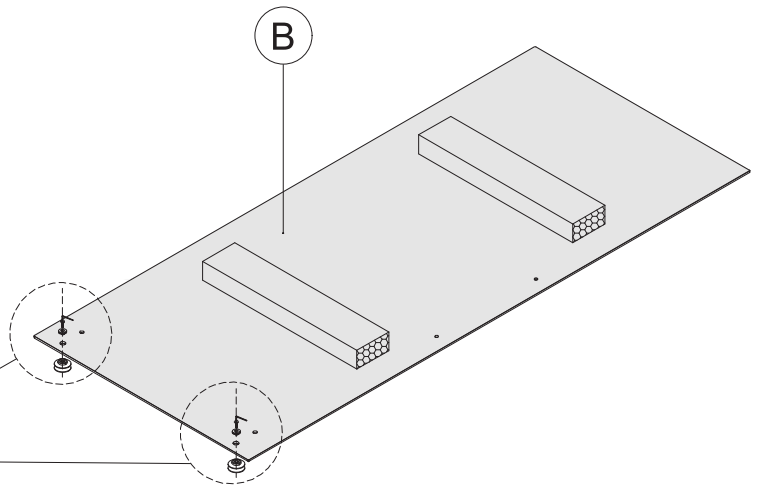
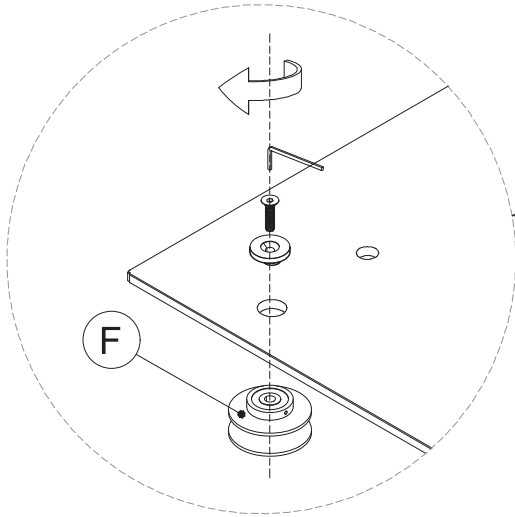
OK



STEP 3.1

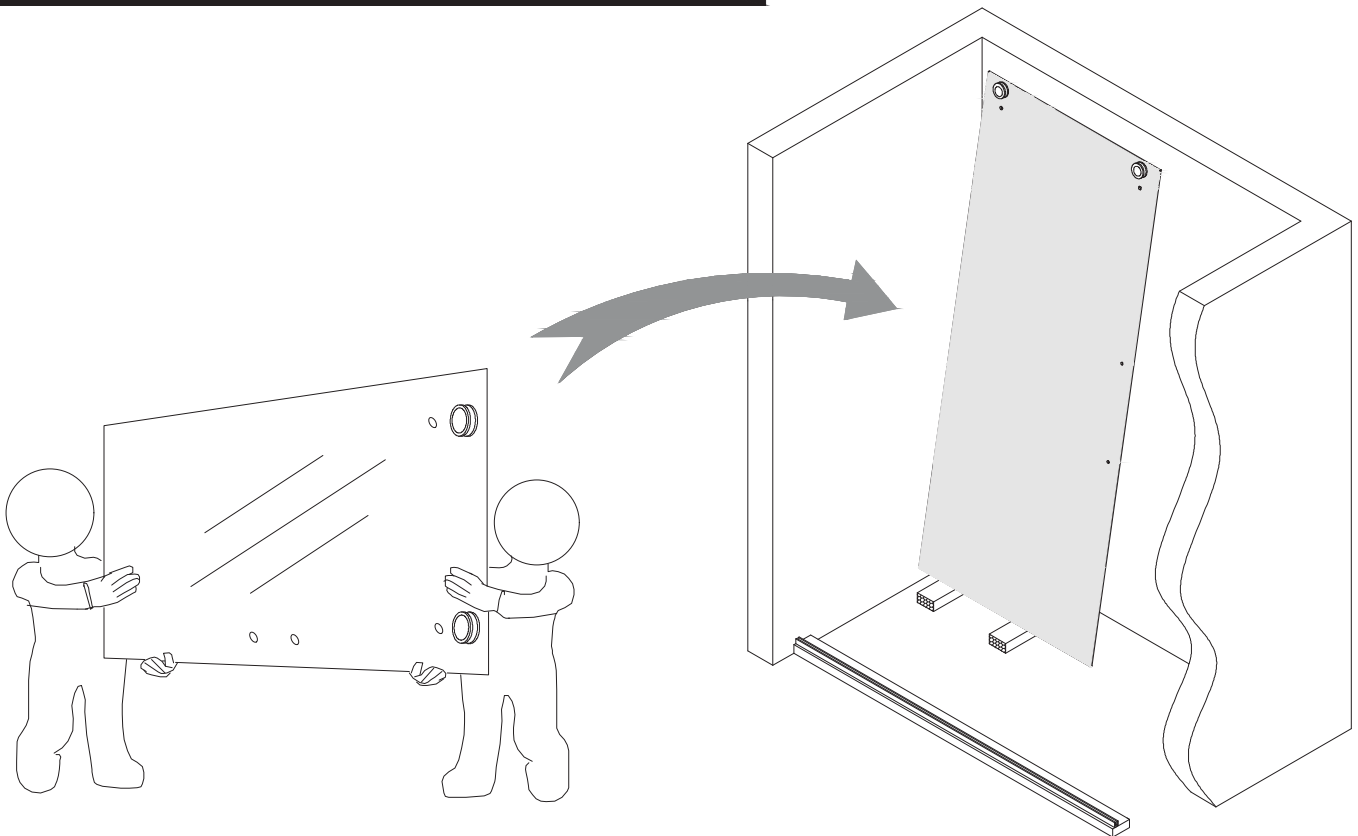
Install the pulleys on the movable glass

		X1
		X2



STEP 3.2

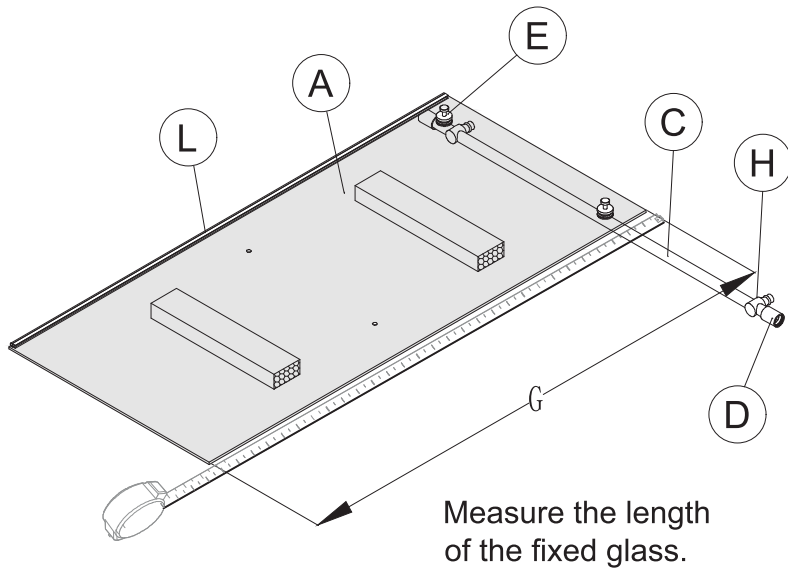
Move the movable glass into the shower enclosure



STEP 4

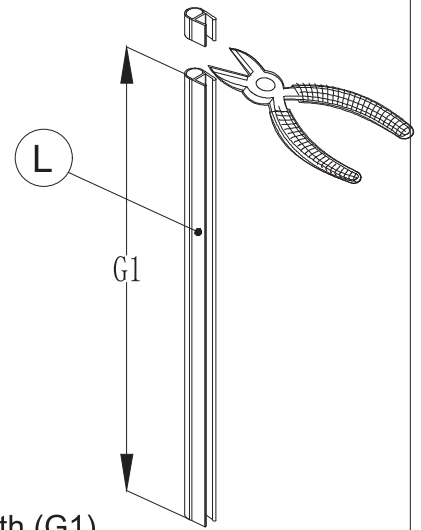
Assemble accessories on the fixed glass

(A)		X1
(C)		X1
(E)		X2
(L)		X1
(D)		X2
(H)		X2



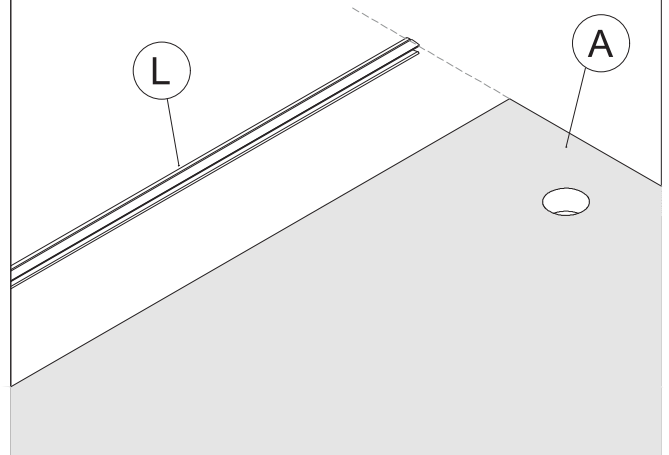
4-1

$$G1 = G - 12\text{mm} (\frac{1}{2} \text{ "})$$



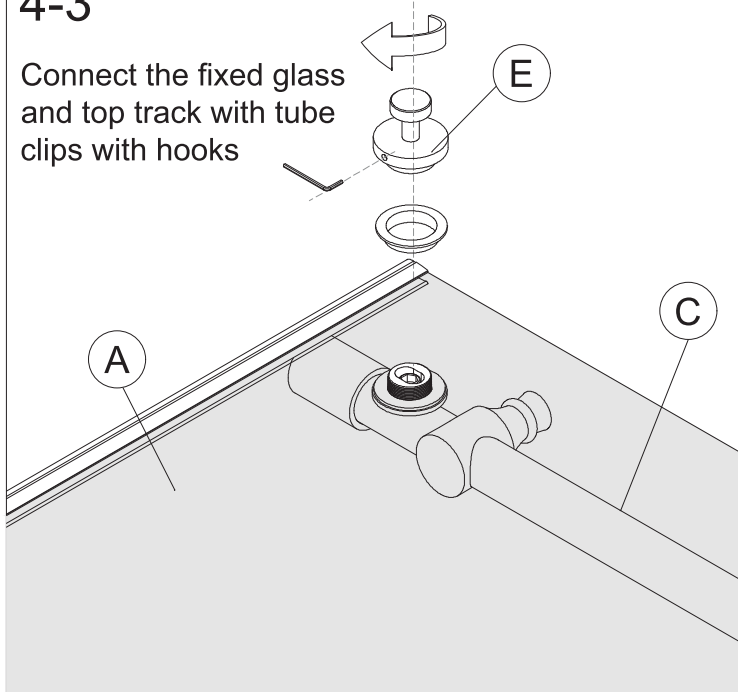
4-2

Install the bubble seal strip (flush with the top of the glass)



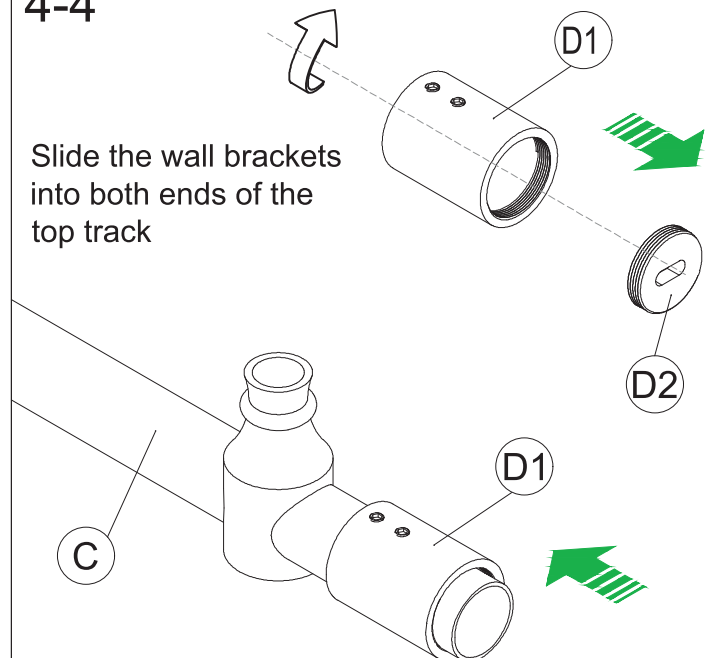
4-3

Connect the fixed glass and top track with tube clips with hooks



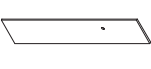


4-4

Slide the wall brackets into both ends of the top track

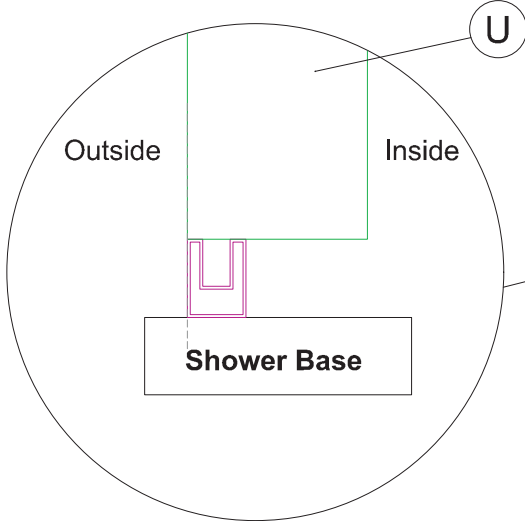
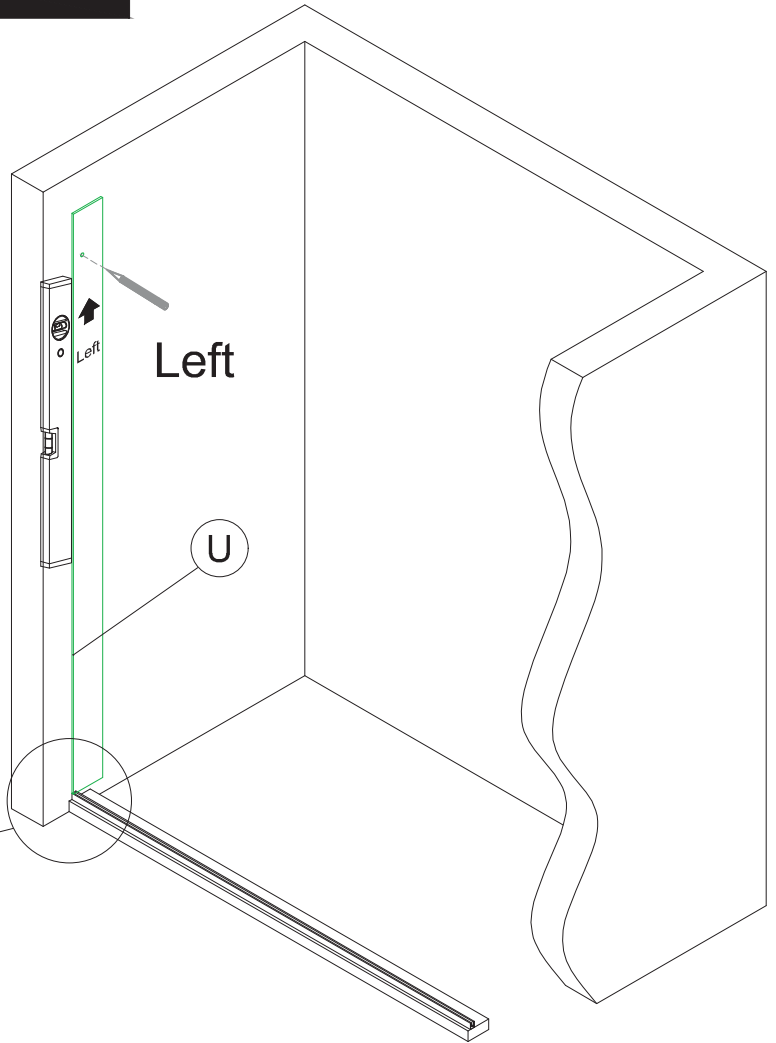


STEP 5

Install left wall bracket fixing parts

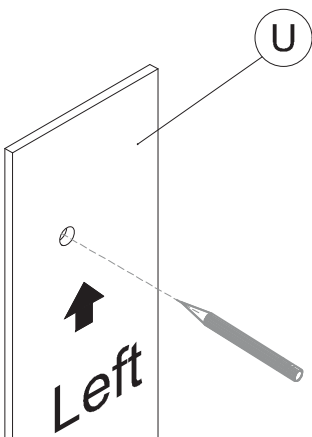
U		X1
Q		X1
R		X1

Place the installation template on the left wall, flush with the stainless steel bottom water stop and keep level



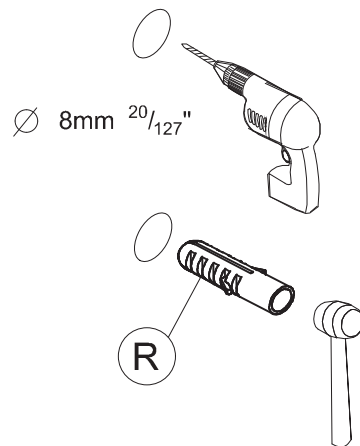
5-1

Mark the fixing hole positions on the template



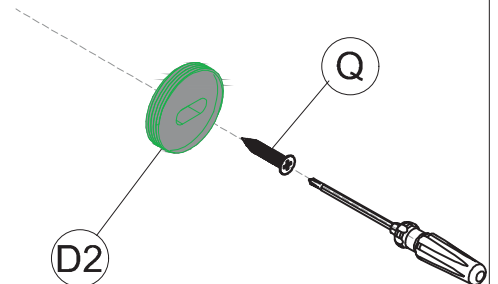
5-2

Drill holes and insert hollow wall plugs



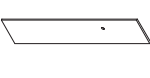


5-3

Install the wall bracket fixing parts

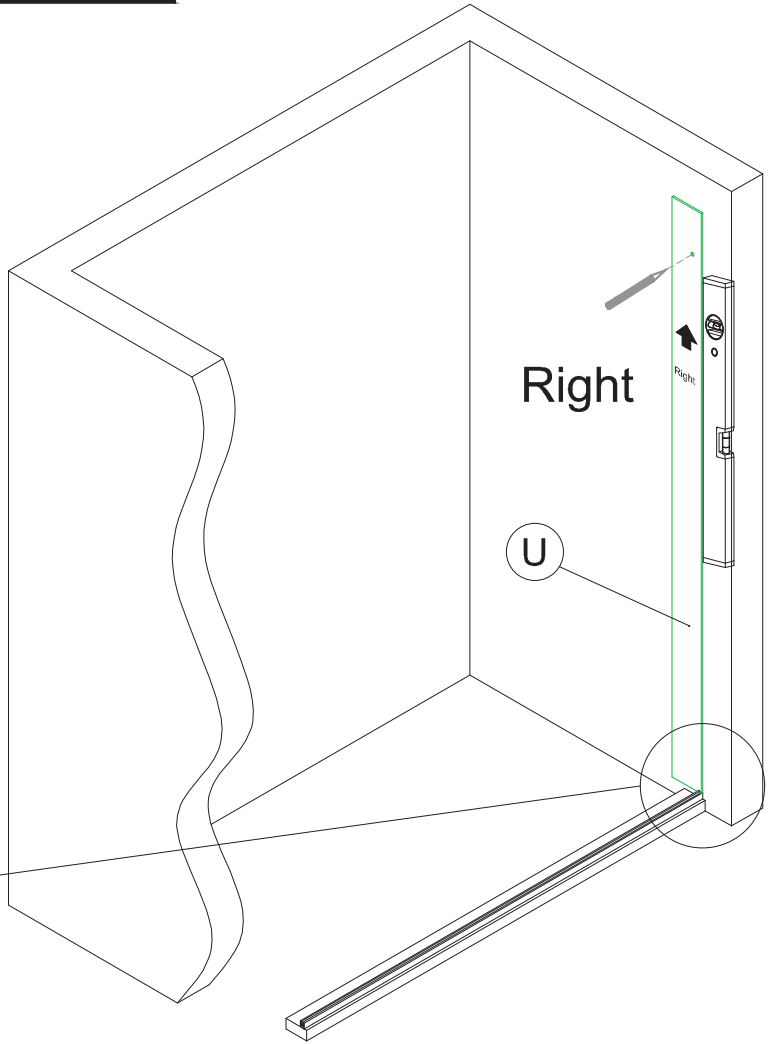
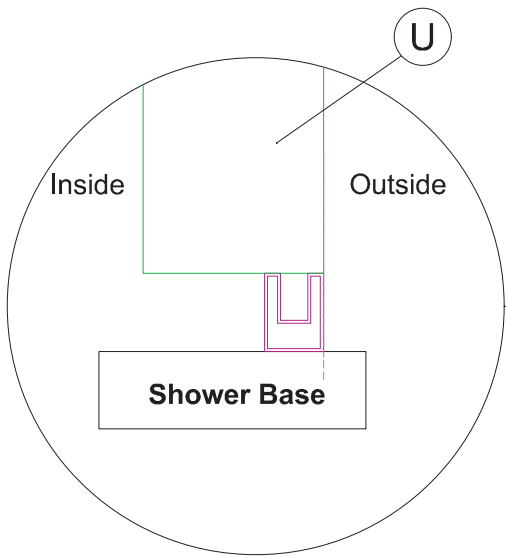


STEP 6

Install right wall bracket fixing parts

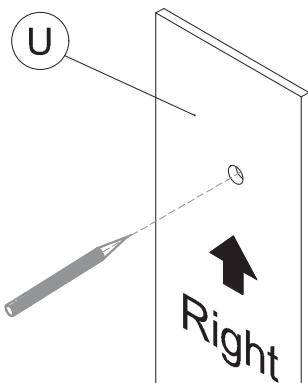
U		X1
Q		X1
R		X1

Place the installation template as a mirror image on the right wall, flush with the stainless steel bottom water stop and keep level



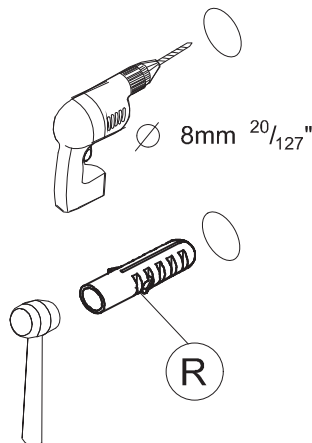
6-1

Mark the fixing hole positions on the template



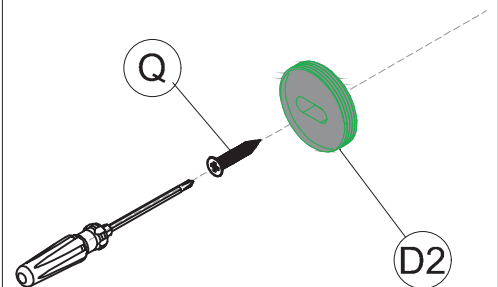
6-2

Drill holes and insert hollow wall plugs



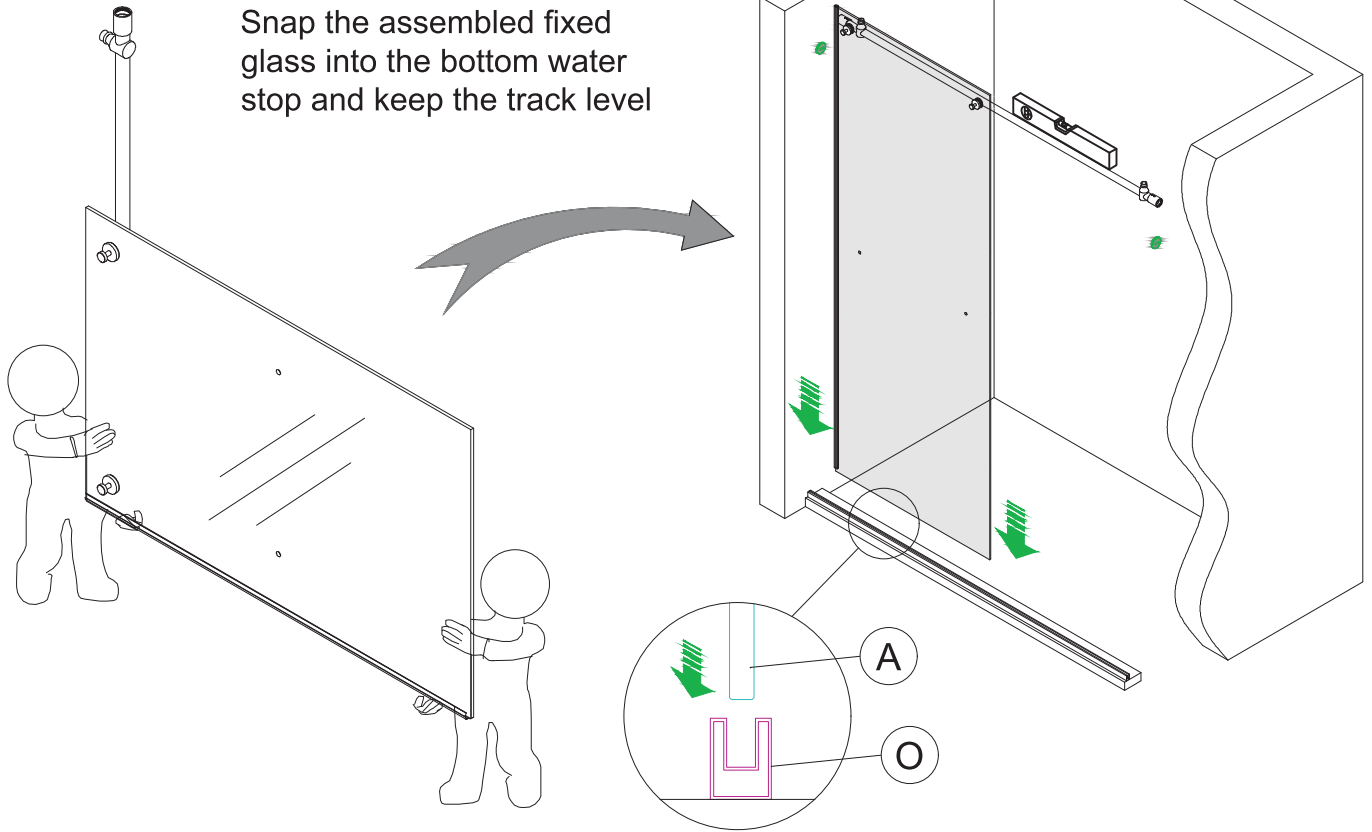
6-3

Install the wall bracket fixing parts

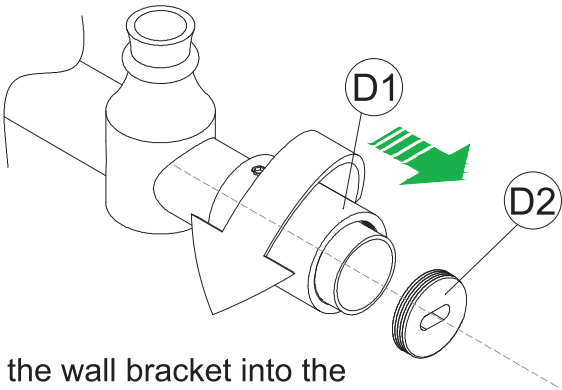


STEP 7

Install the fixed glass bottom water stop

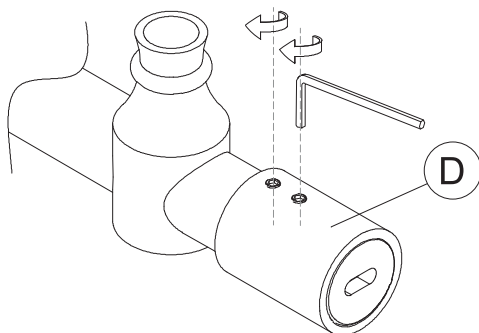


7-1



Slide the wall bracket into the fixing part and tighten

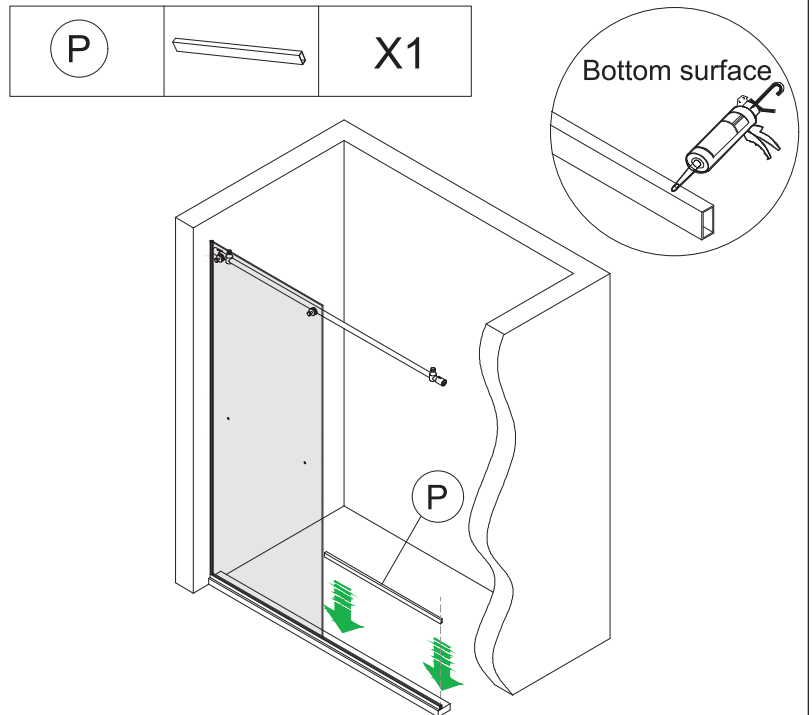
7-2



Tighten the set screw on the top of the wall bracket

STEP 8

Install the decorative water stop strip



Apply silicone sealant to the bottom of the stainless steel bottom water stop decorative strip, then snap it into the groove of the bottom water stop

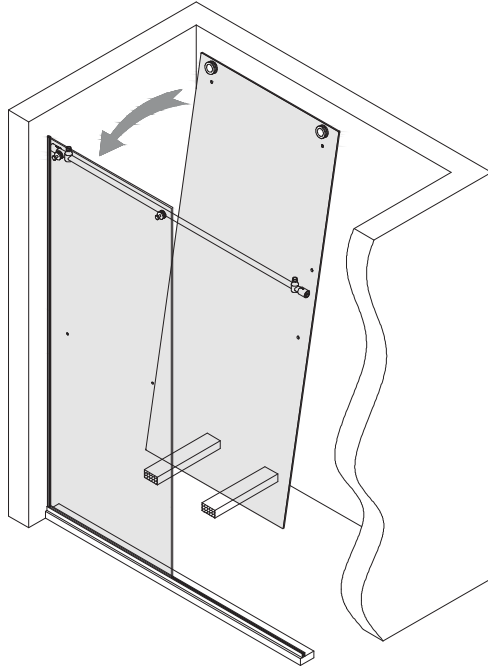
STEP 9

Mark the slider position

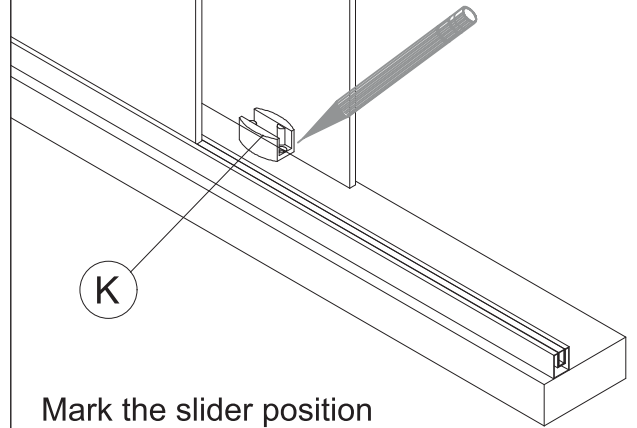
K



X1

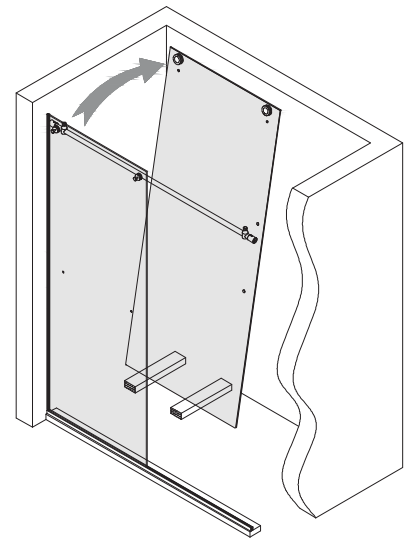


9-2



Mark the slider position

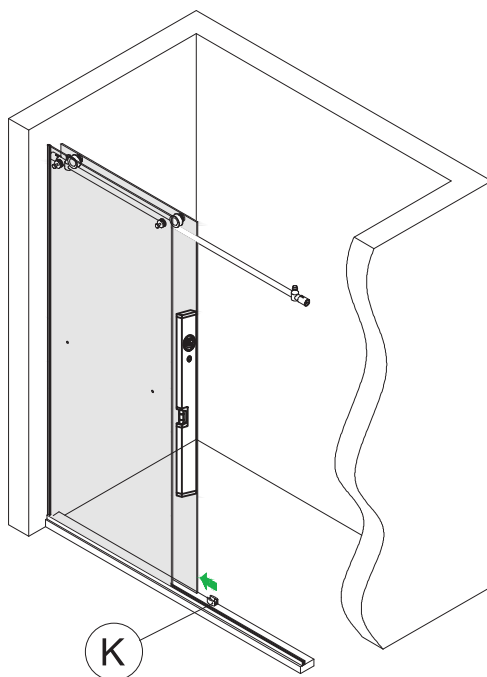
9-3



Remove the movable glass

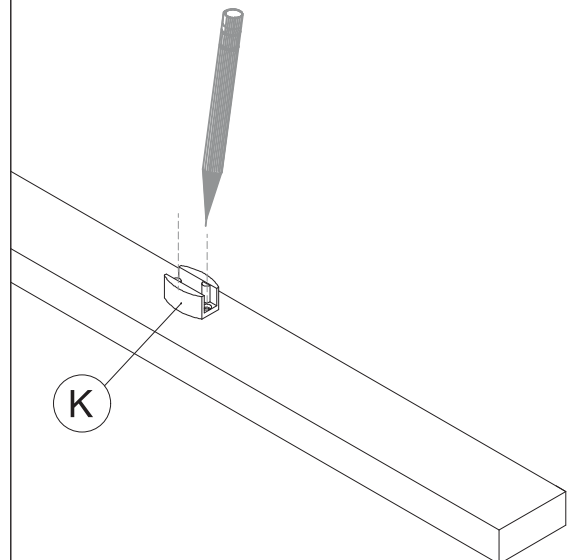
9-1

Keep the movable glass level and perpendicular to the ground, insert the slider



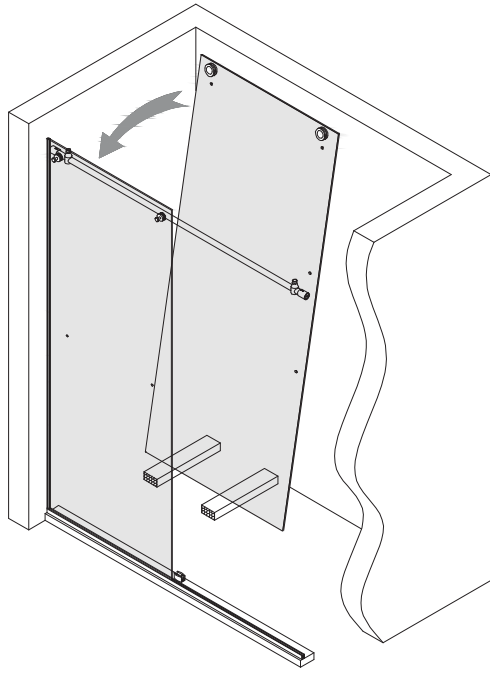
9-4

Place the slider at the marked position and mark the fixing holes

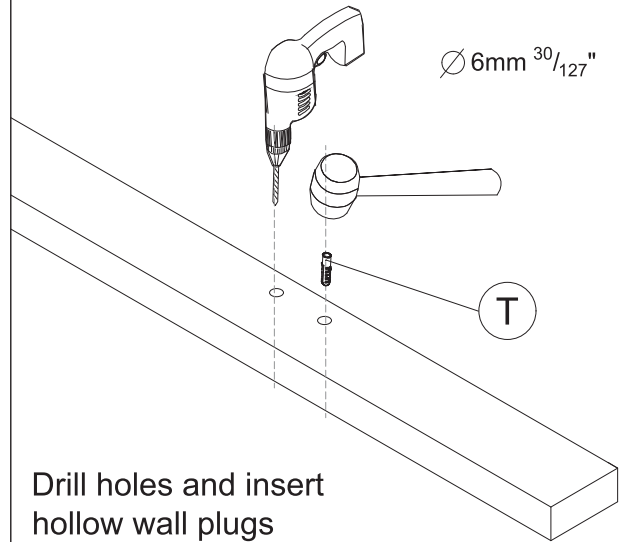


STEP 10

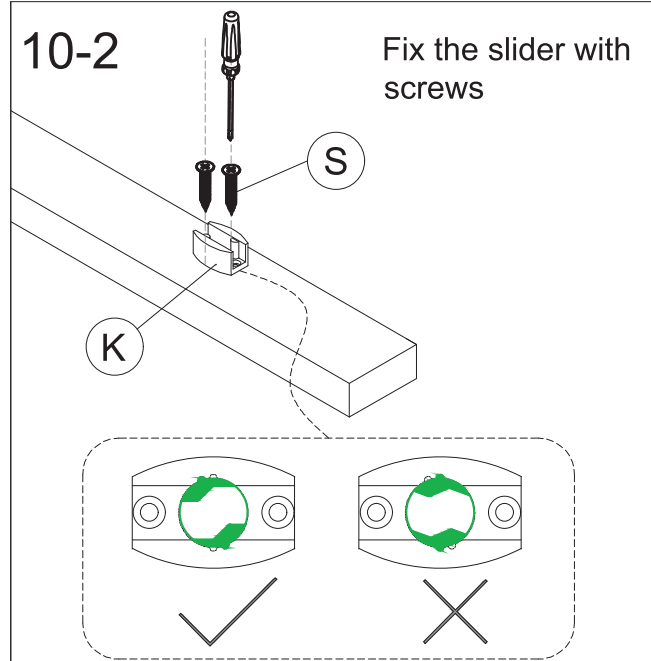
Install the slider and movable glass



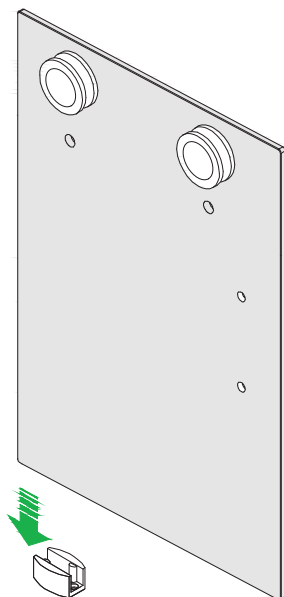
10-1



10-2



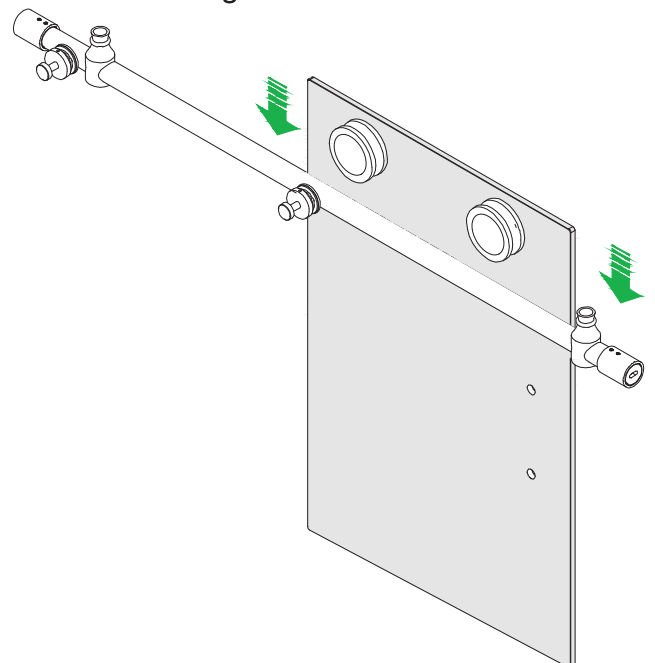
10-3



Snap the bottom of the movable glass into the slider



10-4

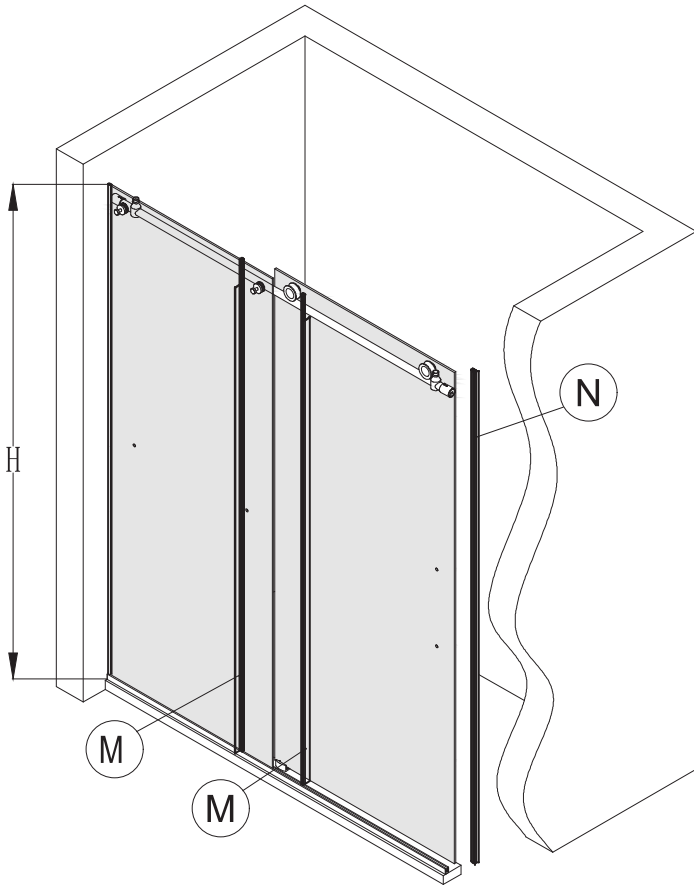
Snap the pulleys of the movable glass into the track



STEP 11

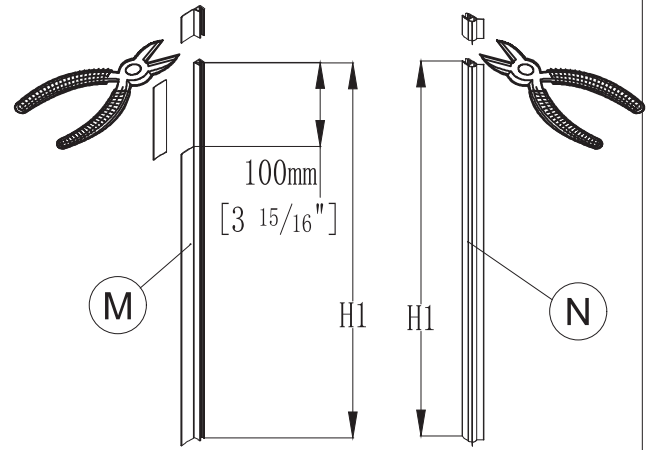
Install the seal strips

M		X2
N		X1



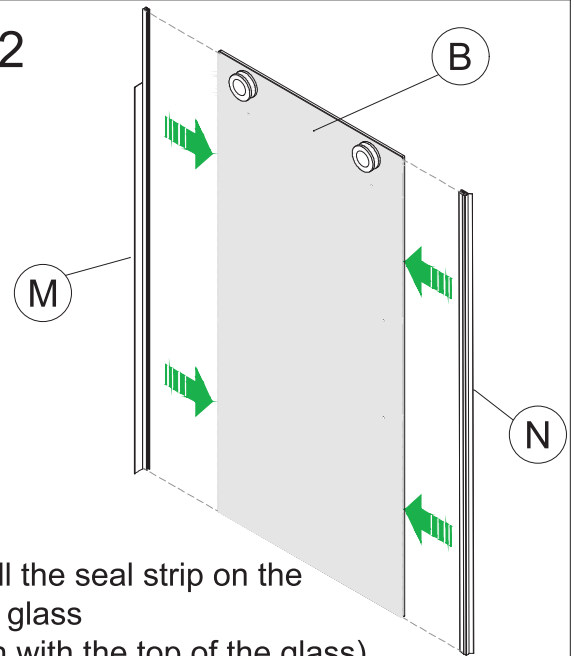
Measure the height of the shower enclosure

11-1 $H1 = H - 12\text{mm} (\frac{1}{2} \text{ "})$



Cut the side water stop seal strips
(Length = Shower enclosure height - 12mm)

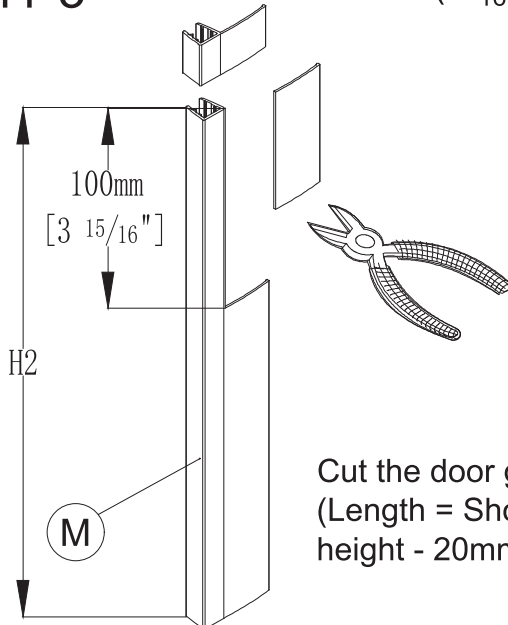
11-2



Install the seal strip on the
fixed glass
(flush with the top of the glass)

11-3

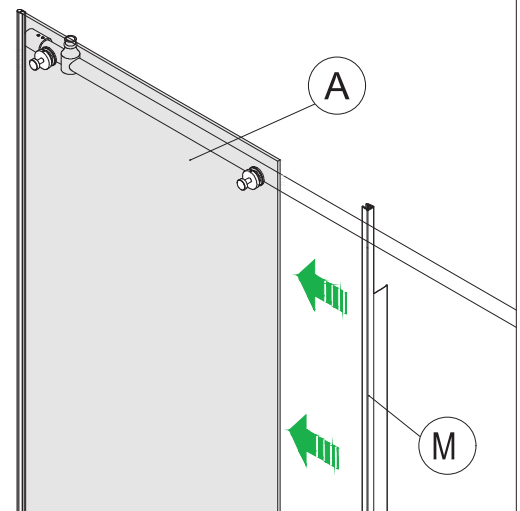
$H2 = H - 20\text{mm} (\frac{13}{16} \text{ "})$



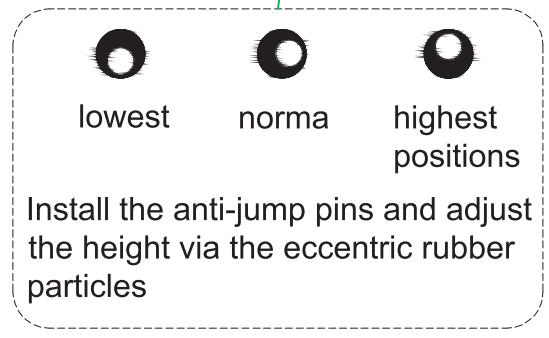
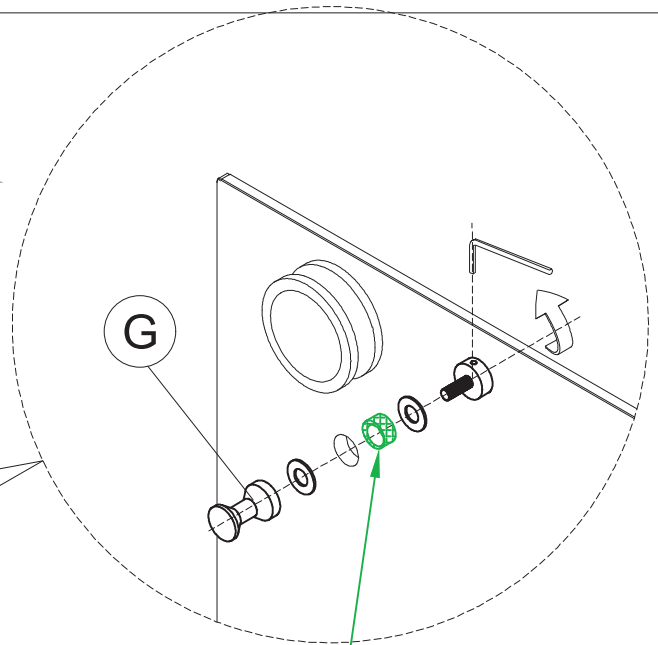
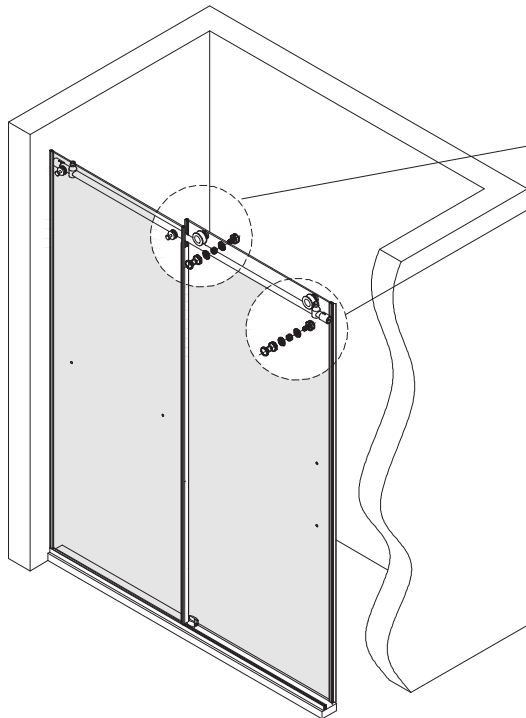
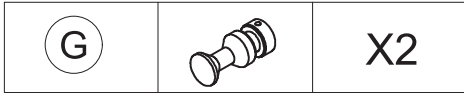
Cut the door glass seal strip
(Length = Shower enclosure
height - 20mm)

11-4

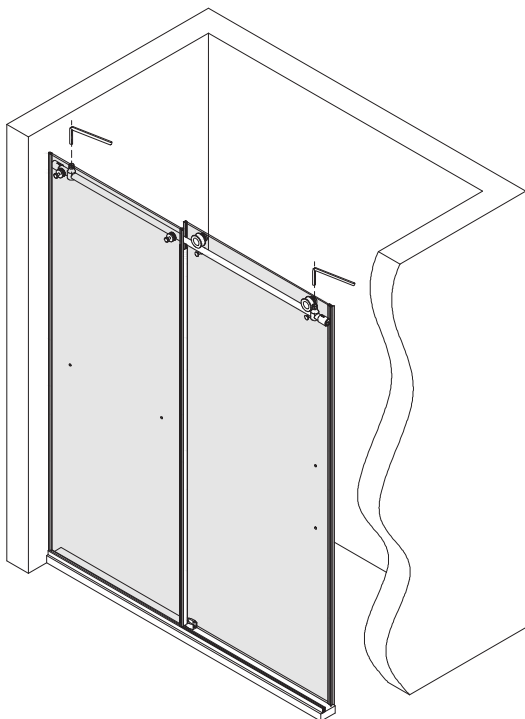
Install the seal strip on the
movable glass
(flush with the bottom of the glass)



STEP 12
Install the anti-jump pins

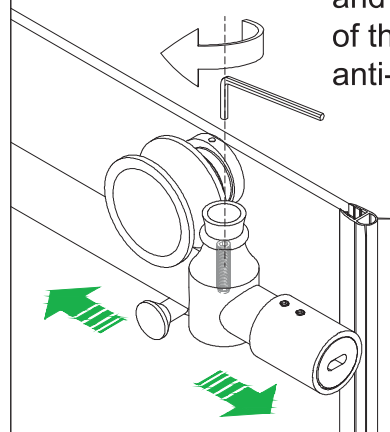


STEP 13
Adjust the wine bottle anti-collision pad



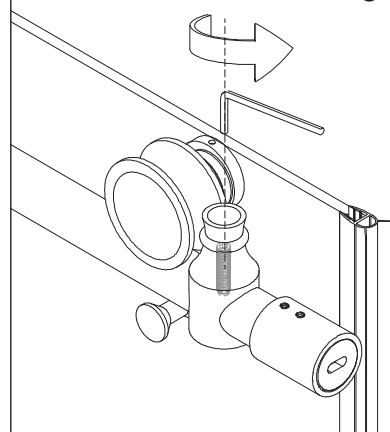
13-1

Loosen the set screw and adjust the position of the wine bottle anti-collision pad





13-2

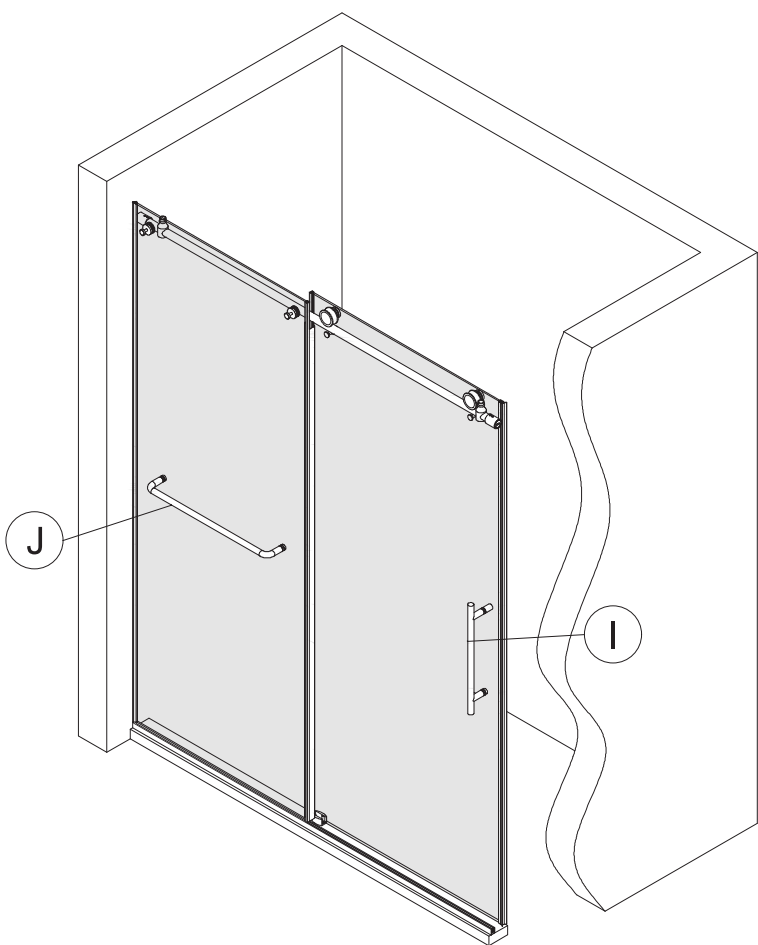
Tighten the set screw



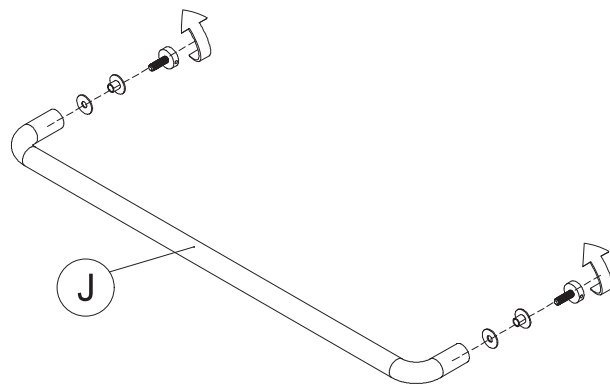
STEP 14

Install the handle and towel bar

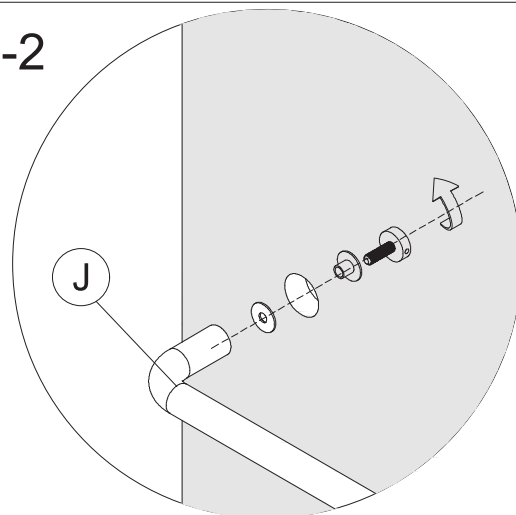
I		X1
J		X1



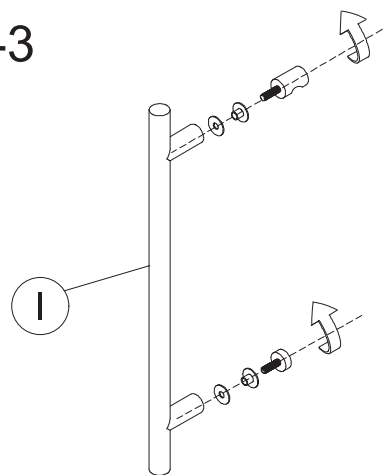
14-1



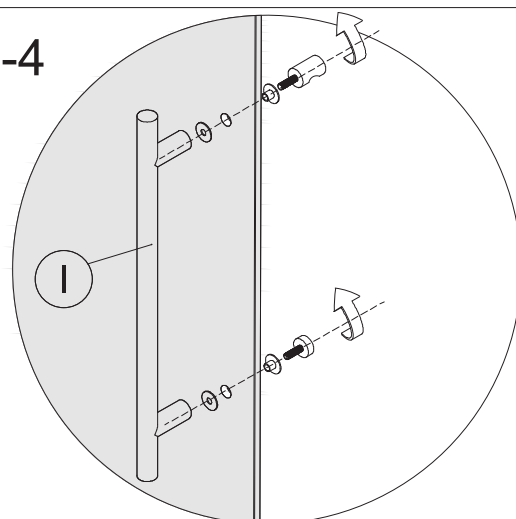
14-2



14-3

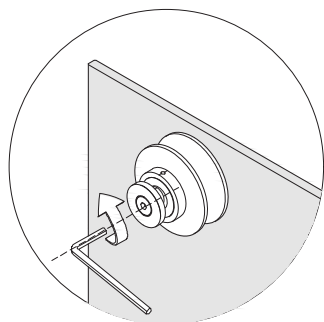


14-4

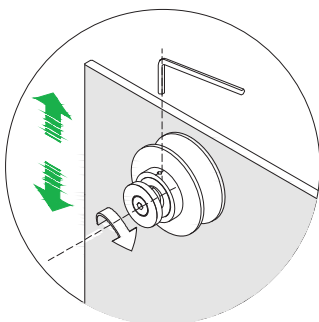


STEP 15

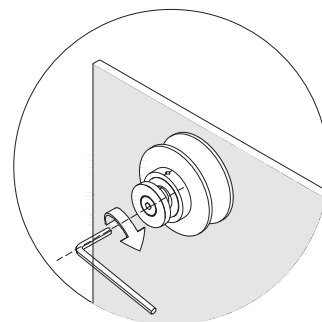
Adjust the movable glass to be level and vertical



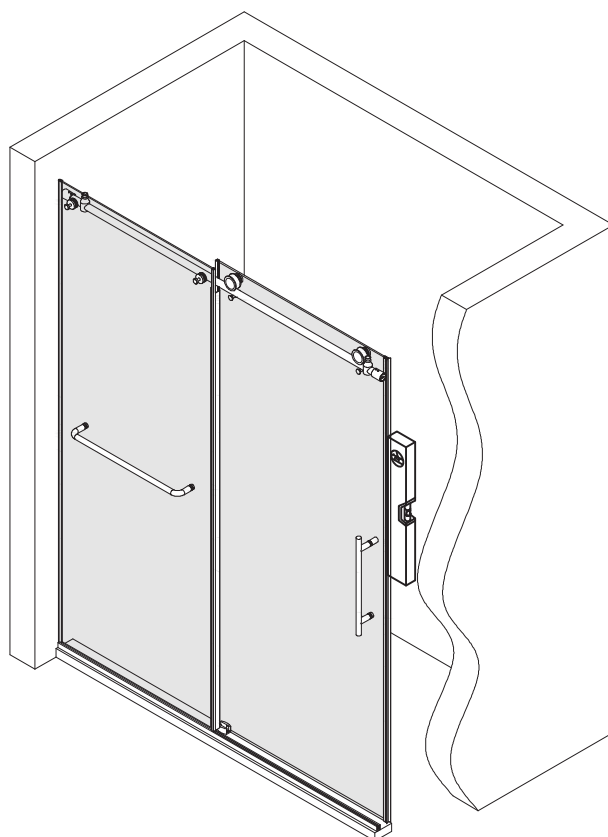
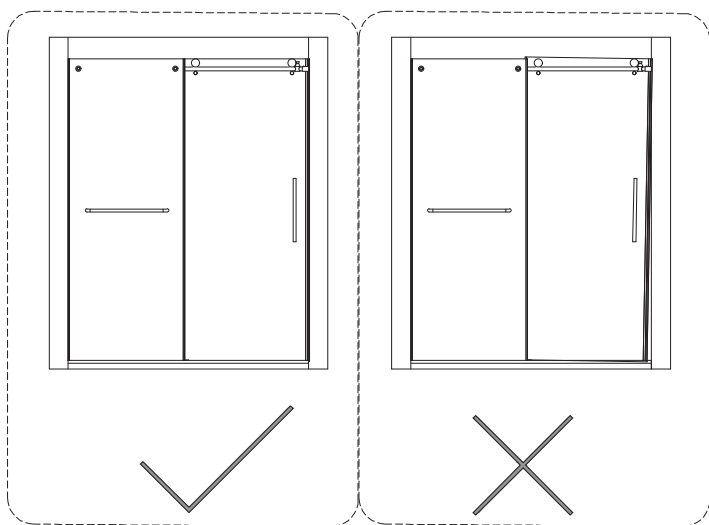
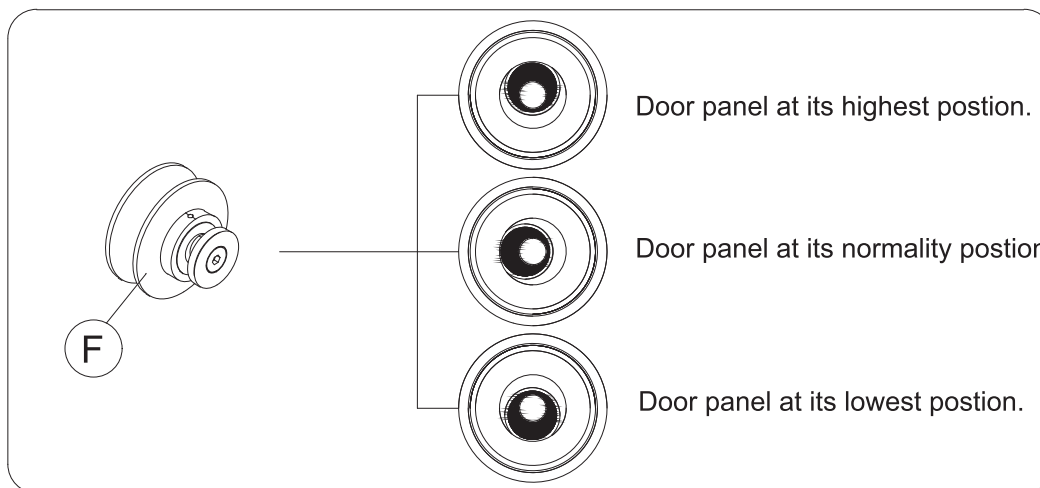
Loosen the screws



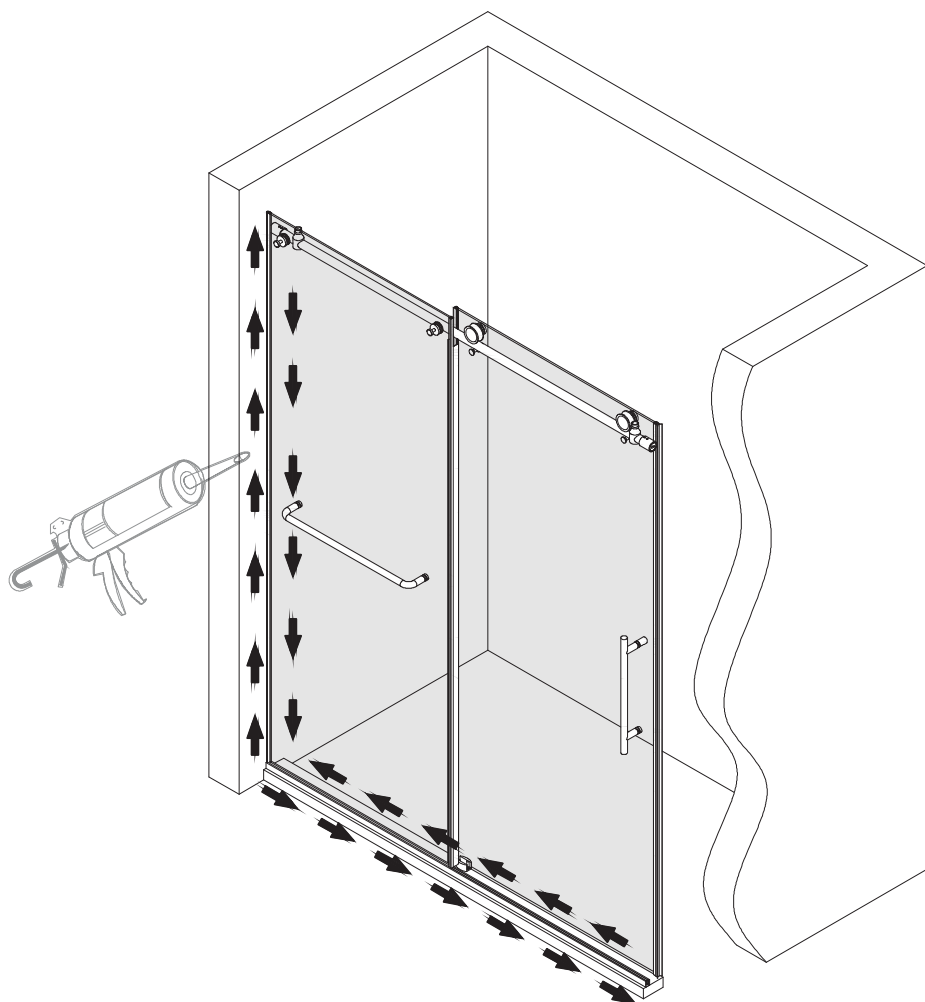
adjust the eccentric wheel to make the movable glass flush with the wall



tighten the screws



STEP 16 Sealing



NOTE

Ensure the surface is clean and free of debris before applying silicone

NOTE

Make sure the shower door closes tightly and opens smoothly

Apply silicone sealant along the entire length of the wall jambs and bottom track



24



Allow 24 hours for the silicone to cure before using the shower