

Wood Desk with Double Drawers

Assembly Instructions



Save these instructions.



A buddy is helpful for assembly.



40 minutes



Phillips Screwdriver needed. Not Included.



Questions?
www.TeamCustomerService.com

Thank You for your Purchase

- This user manual contains important and useful information to accompany your purchase. This product is intended for indoor, household use only. Failure to follow the instructions outlined may result in personal injury or damage to the product which the manufacturer or vendor cannot be held responsible.
- Please ensure you keep the instruction manual in a safe place so you can refer to the instructions at any time in the future. Adult assembly required. During assembly, children should always be kept away due to possible risk of injury. Please use caution and care when lifting the product to avoid personal injury and/or damage. Please ensure that you have enough space and people to assemble your product safely. Do not stand on the product or use as a stepladder.
- For ease and speed of assembly, we recommend that you identify all parts required for that step before begin. All items are to be assembled near the area which they will be placed in use to avoid moving the product unnecessary once assembled.
- For the protection of your furniture, we recommend that the product be assembled on a protected surface to prevent any damage. During assembly please take care not to over-tighten any fittings, as this may damage the product. Always place the product on a flat and stable surface.

Safety Precautions



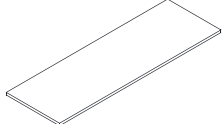
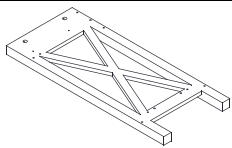
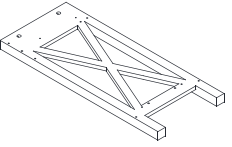
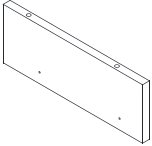
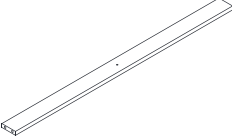
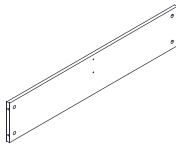
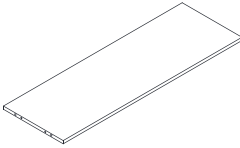
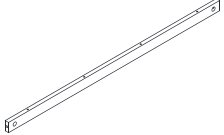
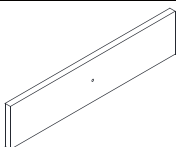
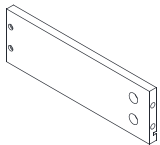
- **READ ALL INSTRUCTIONS BEFORE ASSEMBLING PRODUCT FOR INDOOR, RESIDENTIAL USE ONLY ADULT ASSEMBLY REQUIRED**
- **DO NOT** throw away packaging material before you finish assembling to ensure that parts are not thrown out by mistake
- **DO NOT** use accessories or attachments that are not provided or recommended by manufacturer.
- **NEVER** force any parts or hardware into place when assembling.
- **KEEP CHILDREN** well away from plastic bags and packing materials this item was shipped in.
- **SAVE** these instructions for future reference.
- **DO** anchor product on the wall with at least 1 anchor in contact with stud
- **DO** not place items, such as toys and remote controls on top of dressers, TVs and other large furniture. Also, make sure that all cords are out of the reach of children.

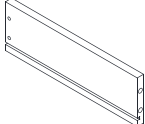
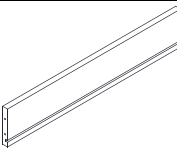
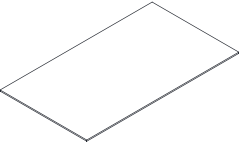


Save these instructions.

Parts


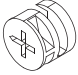




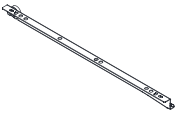
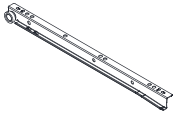



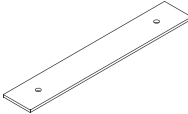
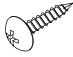

Removing your Desk from the carton is best accomplished with help from a friend. Gently lay the carton on its side, preferably on a carpeted floor. Remove all packaging material and set aside. Make sure all parts and hardware are present before assembly . 2 person assembly is recommended.

PART	NAME	Q'TY	PART IMAGE
1	Desk top	1	
2	Left Panel	1	
3	Right Panel	1	
4	Desk top center support	1	
5	Drawers support bar	1	
6	Back cross panel	1	
7	Bottom shelf	1	
8	Bottom shelf edge	2	
9	Front drawer panel	2	
10	Left drawer side	2	

PART	NAME	Q'TY	PART IMAGE
11	Right drawer side	2	
12	Back drawer panel	2	
13	Drawer bottom	2	


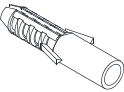

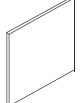


Hardware

PACKAGE	NAME	Q'TY	IMAGE
A	Cam bolt	30	
B	Cam lock	30	
C	Wood dowel	6	 M6x30mm
D	Screw	8	 M4x30mm
E	Left cabinet slide	2	
F	Right cabinet slide	2	
G	Right drawer slide	2	
H	Left drawer slide	2	
I	Screw	16	 M3.5x12mm
J	Knob	2	
K	Screw	2	 M4x18mm
L	Anti-tip strap	2	
M	Screw	2	 M4x12mm
N	Screw	13	 M4x40mm


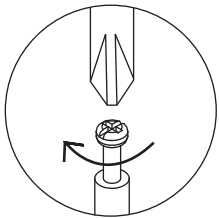
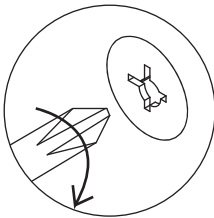
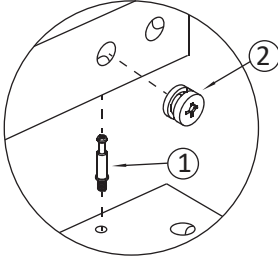


Hardware

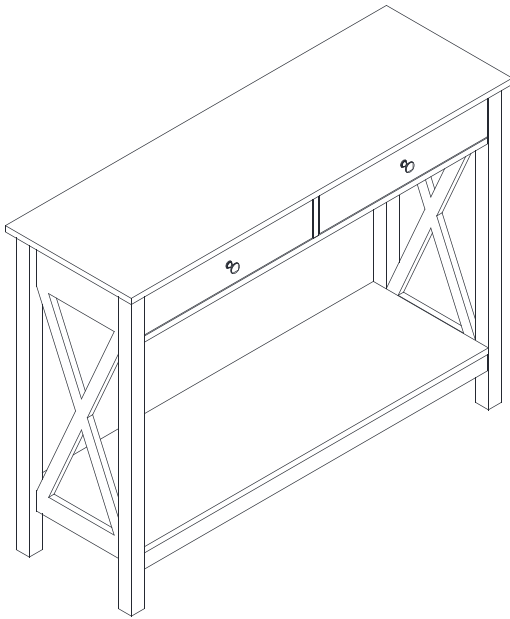
PACKAGE	NAME	Q'TY	IMAGE
O	Washer	4	
P	Wall Anchor	2	
Q	Screw hole cover	12	
R	Feet Pad	4	

We have included 2 extra piece of Part type of screws

Safety Precautions

	Step 1	Step 2	Step 3
 <p>Risk of damage or injury. Cam Lock and Bolt system is a multisteps process. Please follow these directions closely. Hidden Cams must be completely tightened. Hidden Cams that are not completely tightened may loosen and parts may separate.</p>			
	<p>Gently screw Cam Bolt into the threaded anchor at the specified location. Tighten with a Phillips screwdriver until threads are not visible</p>	<p>Gently insert Cam Lock in the pre-drill holes at the specified location with arrow pointing toward the receiving hole or toward the closest edge. Use a Phillips screwdriver to turn as needed. Make sure Cam Lock is flushed with the board</p>	<p>Insert Cam Bolt into the predrilled hole on the side of the Cam Lock board. Turn Cam Lock to engage the</p>

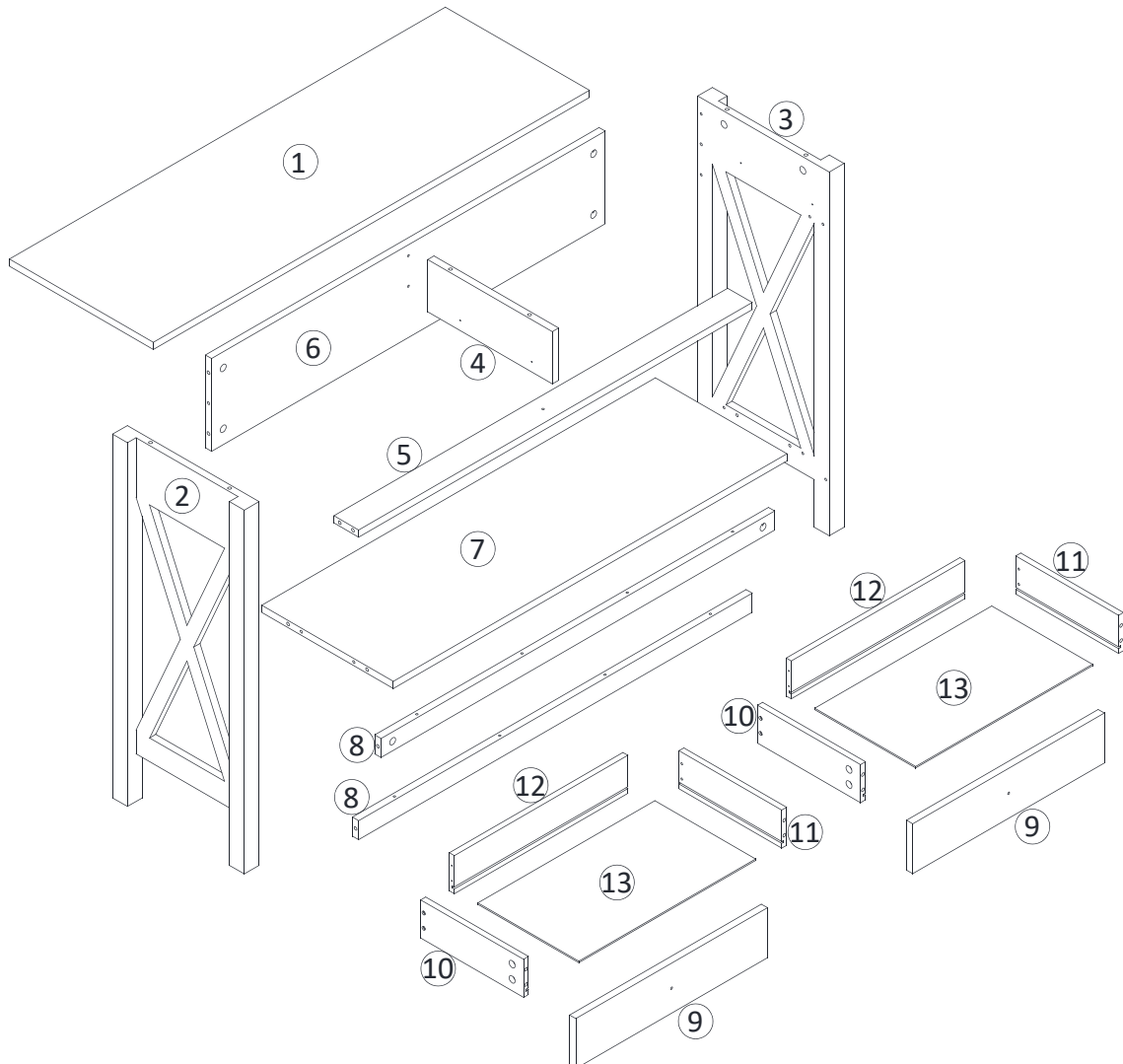
Specifications



Maximum load capacity as follows:

PART	NAME	Maximum Weight Capacity
1	Desk top	80 lbs
13	Drawer bottom	11 lbs
7	Bottom Shelf	30 lbs

Parts



Save these instructions.

Assembly Instructions

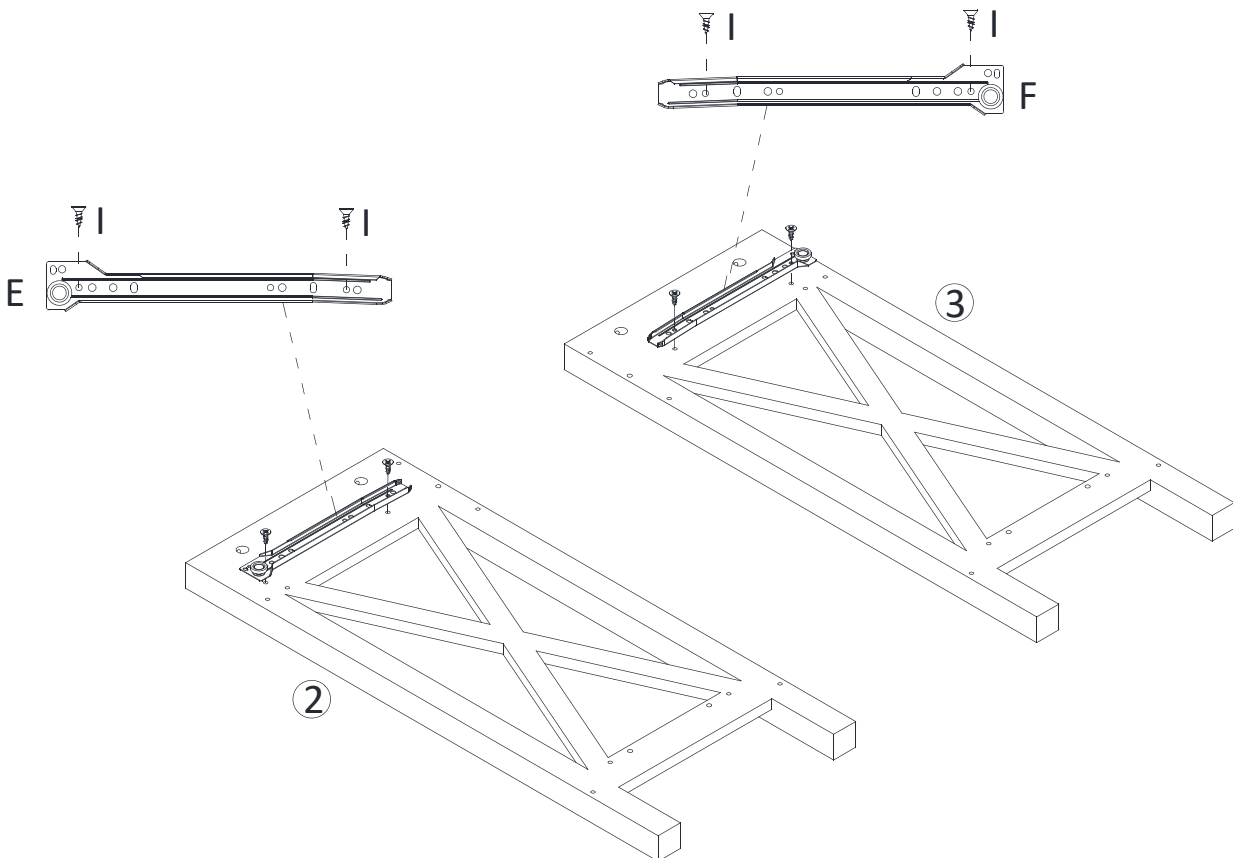
ASSEMBLY TIPS:

1. Remove hardware from box and make sure all your parts are there, prior to assembly.
2. To avoid damage to parts and components, layout and assembly should be done on a flat surface.
3. Please check and distinguish each part before assembly.
4. This product is intended for home use only and not intended for commercial establishments.
5. **DO NOT** attempt to repair or modify parts that are broken or defective.




Step 1

Attach Cabinet Slide

Fasten Left cabinet slide (E) to Left panel ② and Right cabinet slide (F) to right panel ③ with 4x Screws (I) and tighten with Phillips screwdriver. Following below diagram.



Phillips Screwdriver
needed. Not Included.

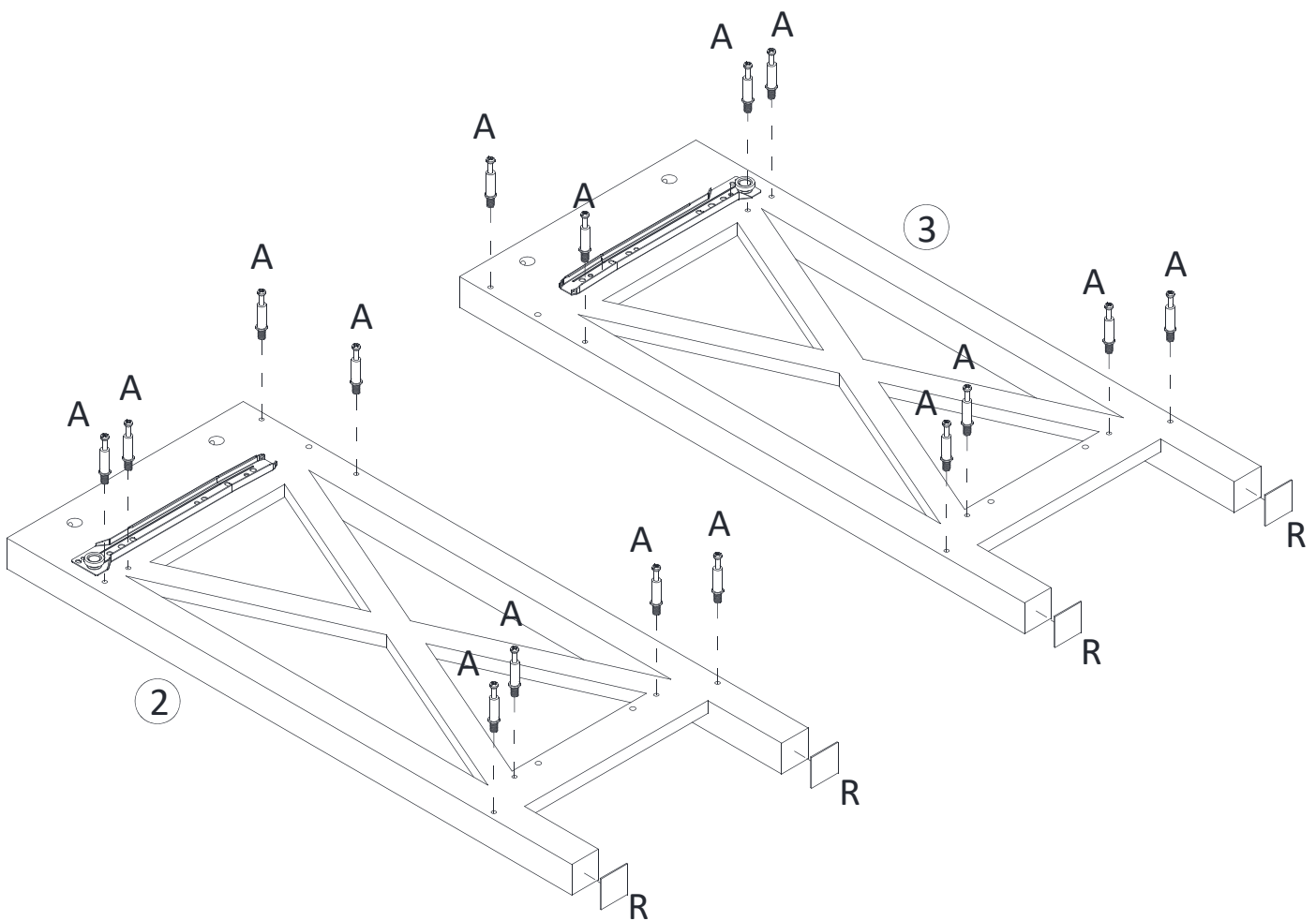
E	x1	F	x1	I	x4
					



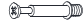

Save these
instructions.

Step 2 Build Cam Bolts And Stick Feet Pads

- Lay the Left Panel (2), Right Panel (3) flat on the floor. Note the hole locations following the below diagram.
- Tighten 16x Cam Bolts (A) to Left Panel (2), Right Panel (3) at the specified locations using a Phillips screwdriver.
- Stick 4x Feet Pads (R) on the feet of left Panel (2) and Right Panel (3).



Phillips Screwdriver
needed. Not Included.

A	x16	R	x4
			

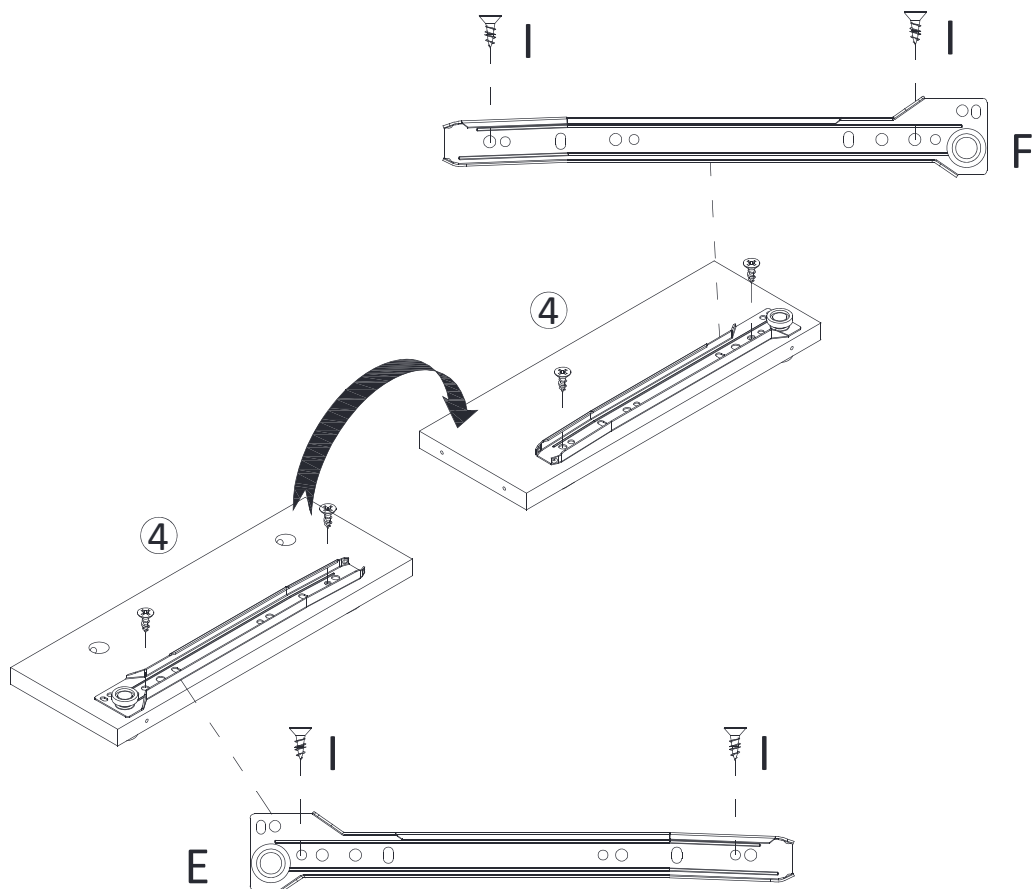


Save these
instructions.




Step 3

Attach Cabinet Slide

- . Carefully Identify left side and right side (with 2 Cam lock holes) of Desk top center support (4), following below diagram.
- . Fasten Left cabinet slide (E) to right side of Desk top center support (4) with 2x Screws (I) and tighten with Phillips screwdriver.
- . Turn Desk top center support (4) over, fasten Right cabinet slide (F) to left side of Desk top center support (4) with 2x Screws (I) and tighten with Phillips screwdriver.



Phillips Screwdriver
needed. Not Included.

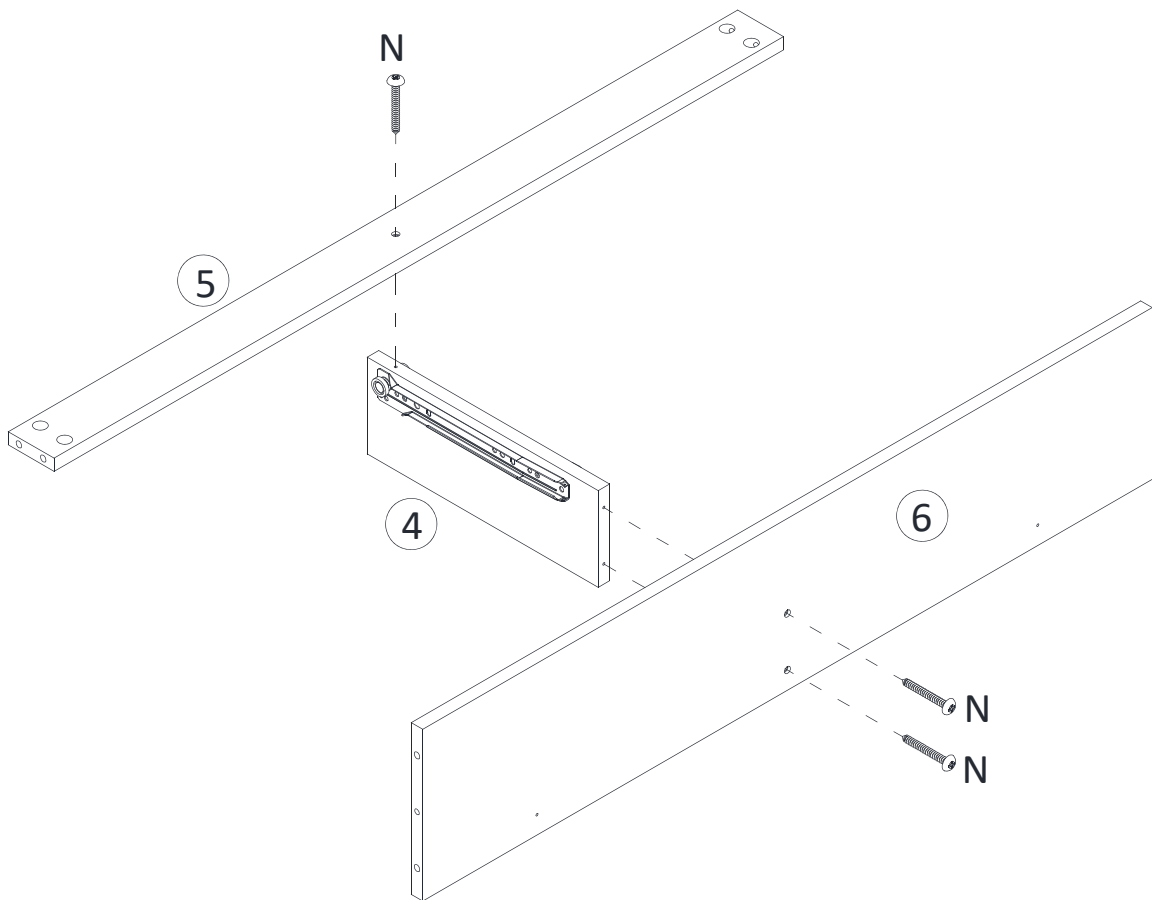
E	x1	F	x1	I	x4
					



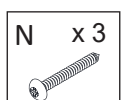
Save these
instructions.

Step 4 Build Back Cross Panel and Drawer Support Bar

Fasten Drawer support bar (5) and Back Cross panel (6) to Desk top center support (4) with 3x Screws (N) and tighten with Phillips screwdriver.



Phillips Screwdriver
needed. Not Included.

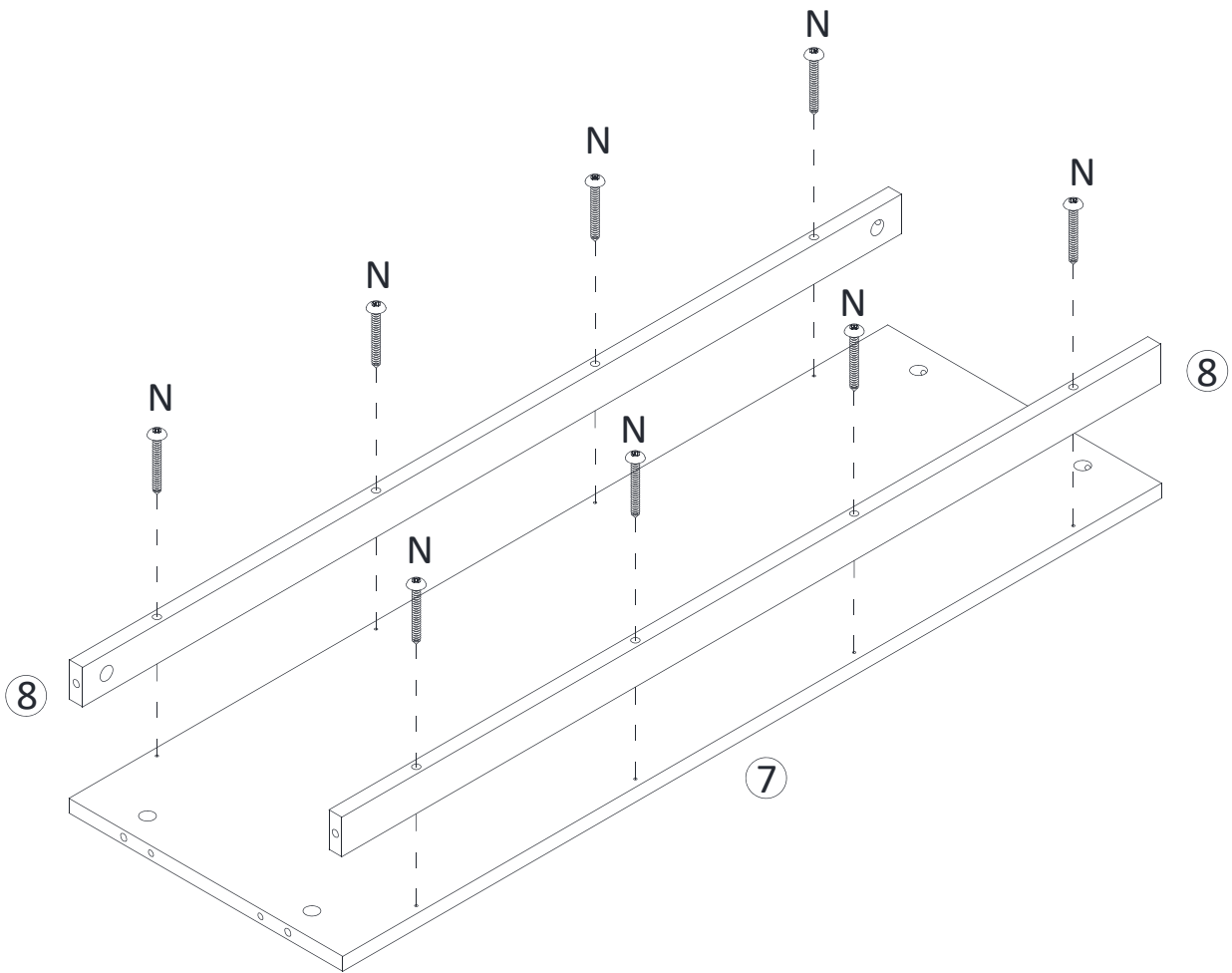


Save these
instructions.

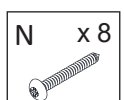
Step 5

Attach Bottom Shelf Edge

Fasten 2x Bottom shelf edge ⑧ to Bottom Shelf ⑦ with 8x Screws (N) and tighten with Phillips screwdriver.



Phillips Screwdriver
needed. Not Included.

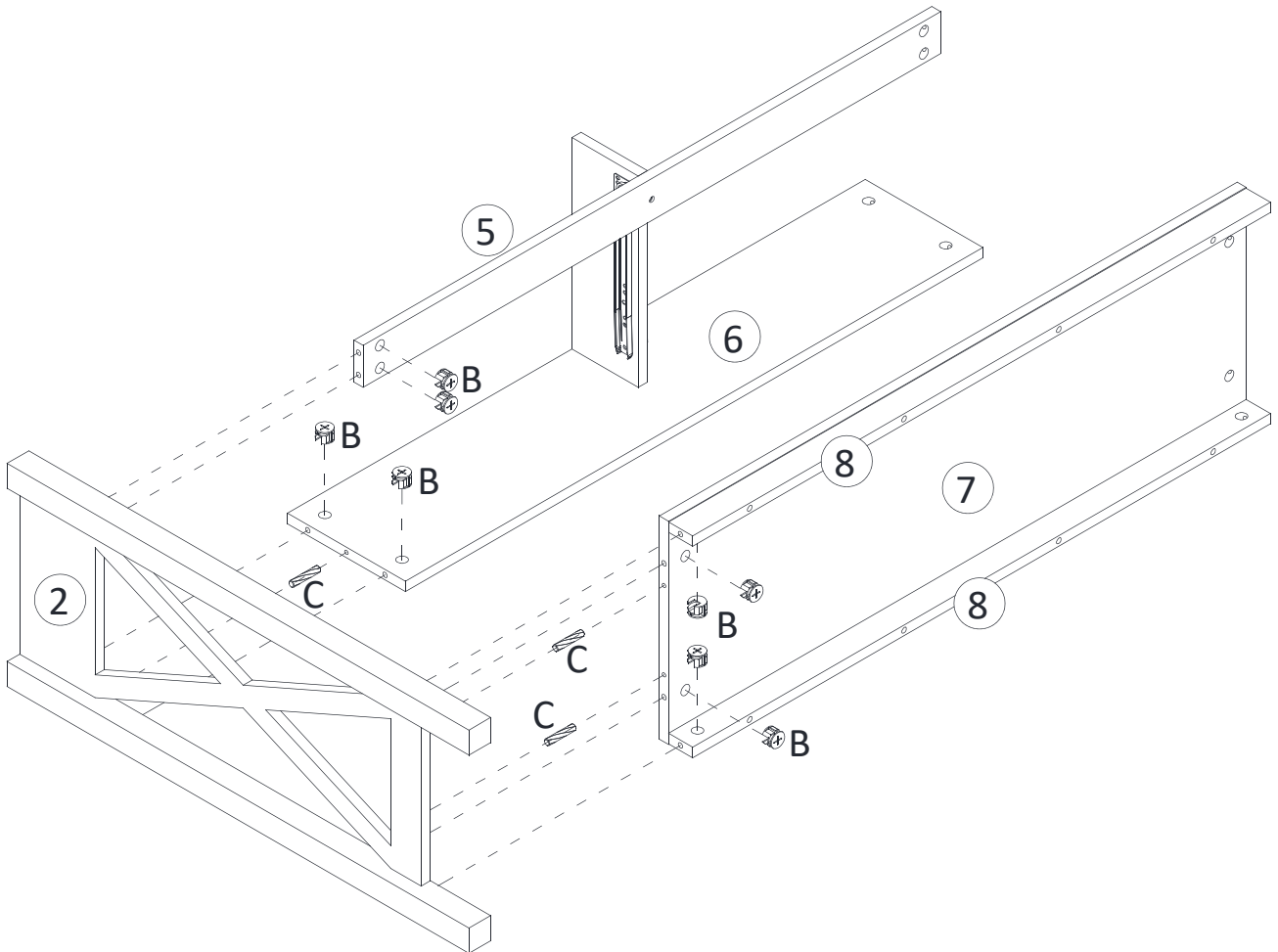


Save these
instructions.

Step 6

Build Left Panel

- Insert 3x Wood Dowels (C) to Bottom Shelf (7) and Back Cross Panel (6) at the specified locations.
- Insert 8x Cam Locks (B) to Drawer Support bar (5), Back Cross Panel (6), Bottom Shelf (7) and 2x Bottom Shelf Edges (8) at the specified locations.
- Carefully align wooden dowels (C) to pre-drilled holes, Cam Bolts (A) to Cam Lock (B).
- Connect Drawer Support Bar (5), Back Cross Panel (6), Bottom Shelf (7) and 2x Bottom Shelf Edges (8) to Left Panel (2) by turning all 8x Cam Lock (B) to engage. Following Cam Lock safety precautions.



Phillips Screwdriver
needed. Not Included.



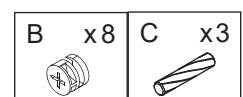
Follow the Cam Lock
safety precautions



A buddy is helpful
for assembly.



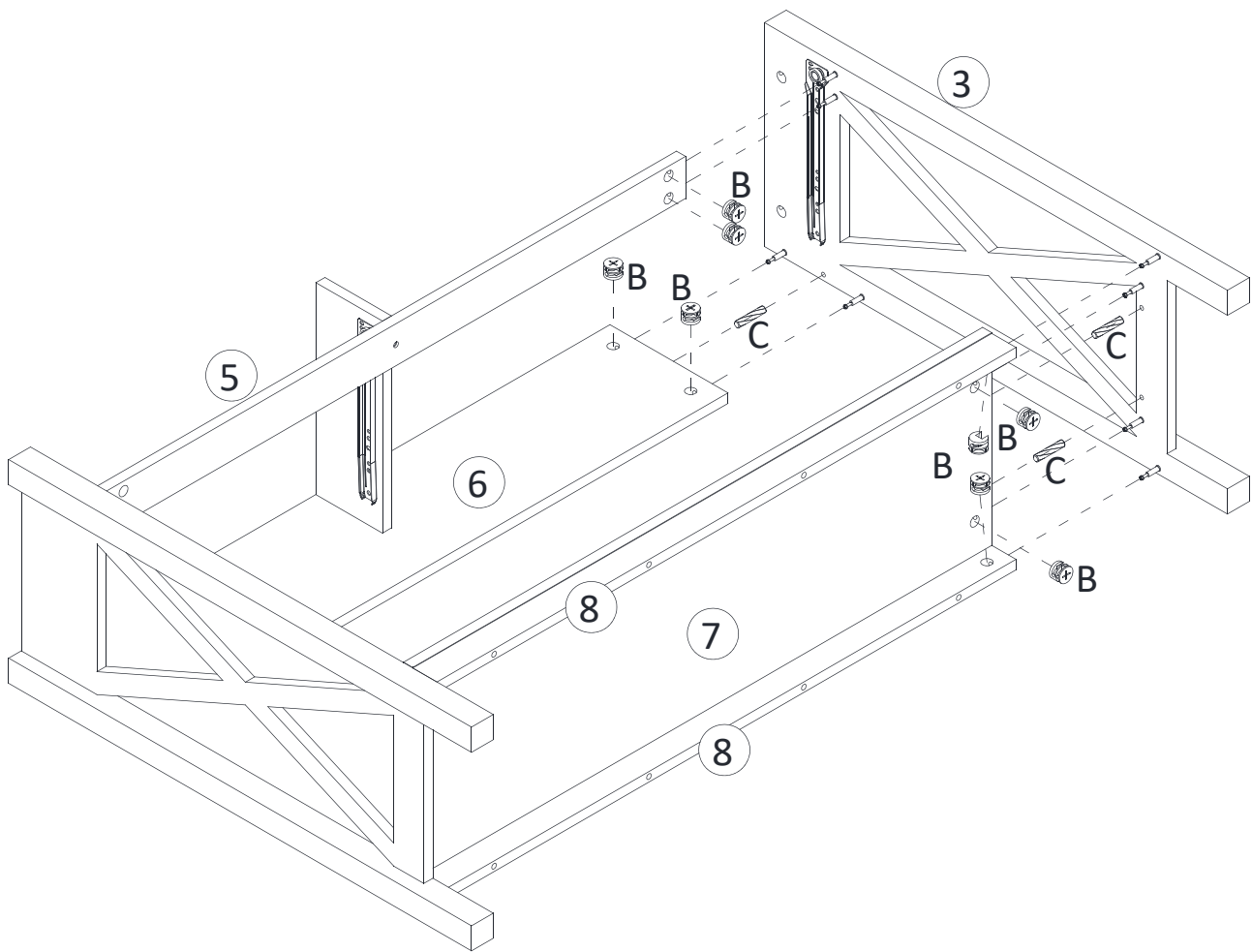
Save these
instructions.



Step 7

Attach Right Panel to Assembled Unit

- Insert 3x Wood Dowels (C) to Right Panel (3) at the specified locations.
- Insert 8x Cam Locks (B) to Drawer Support bar (5), Back Cross Panel (6), Bottom Shelf (7) and 2x Bottom Shelf Edges (8) at the specified locations.
- Carefully align wooden dowels (C) to pre-drilled holes, Cam Bolts (A) to Cam Lock (B).
- Connect assembled unit to Right Panel (3) by turning all 8x Cam Lock (B) to engage. Following Cam Lock safety precautions.



Phillips Screwdriver
needed. Not Included.



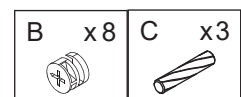
Follow the Cam Lock
safety precautions



A buddy is helpful
for assembly.



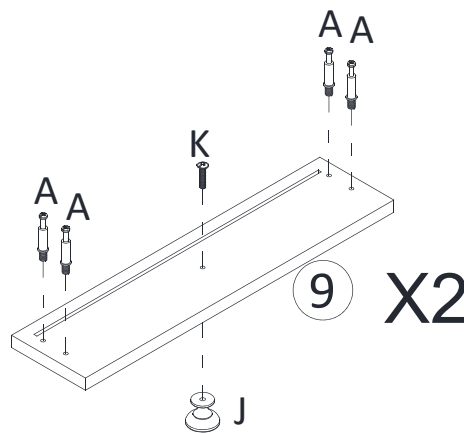
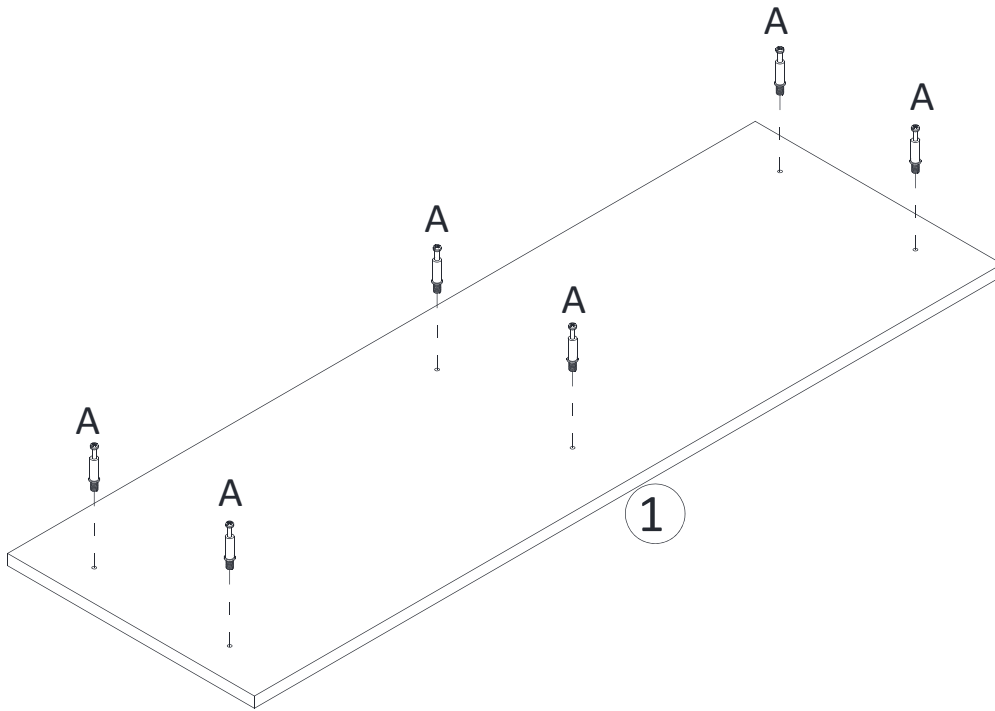
Save these
instructions.





Step 8

Build Cam Bolts and Knob

- Tighten 6x Cam Bolts (A) to Desk top ① at the specified locations using a Phillips screwdriver.
- Tighten 8x Cam Bolts (A) to 2x Front drawer panel ⑨ at the specified locations using a Phillips screwdriver.
- Fasten 2x Knob (J) to 2x Front drawer panel ⑨ with 2x Screws (K) and tighten with Phillips screwdriver.



Phillips Screwdriver
needed. Not Included.

A	x14	J	x2	K	x2
					

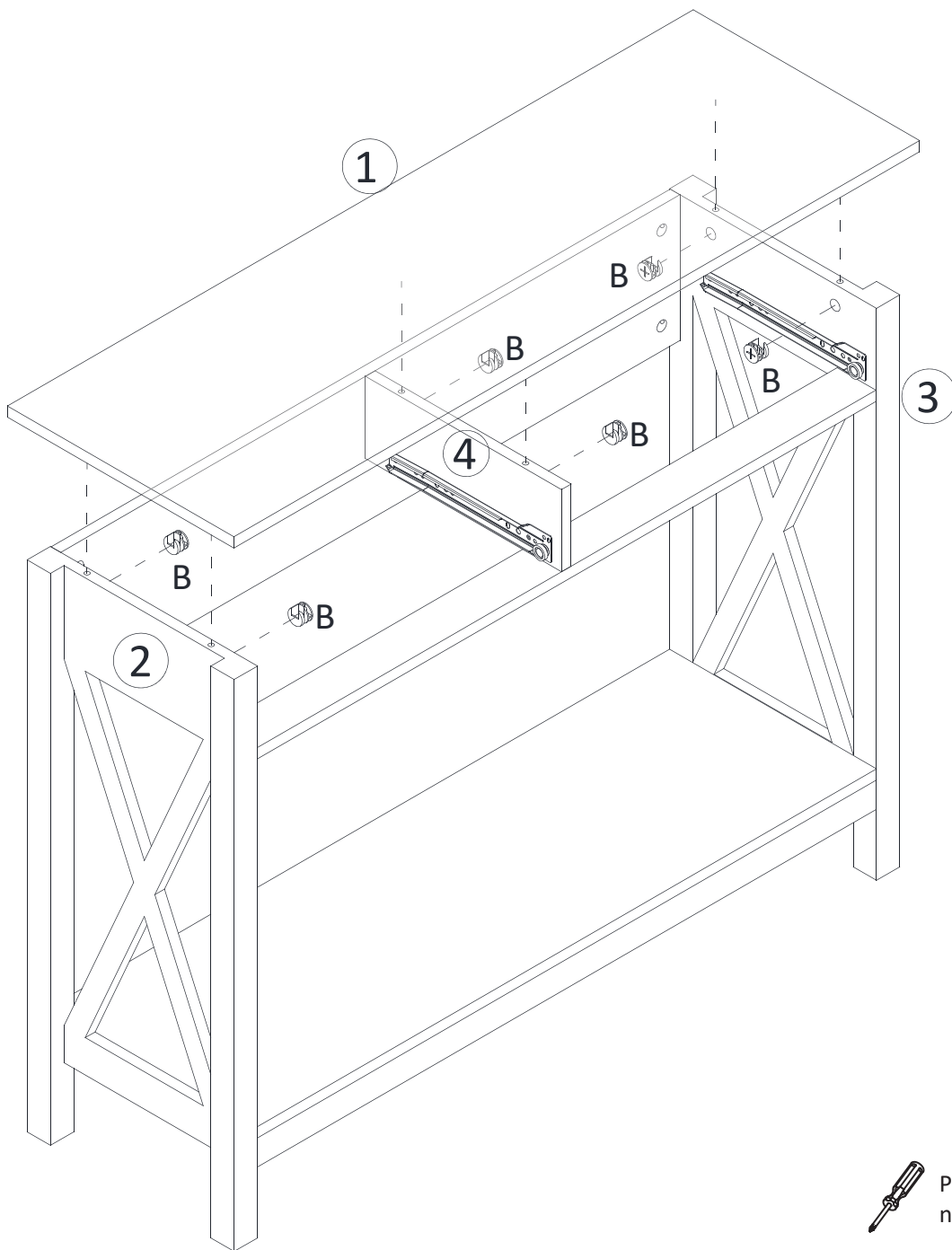


Save these
instructions.

Step 9

Connect Desk Top

- Insert 6x Cam Locks (B) to Left Panel (2), Right Panel (3), Desk top center support (4) at the specified locations.
- Connect Desk top (1) to Left Panel (2), Right Panel (3), Desk top center support (4) by turning all 6x Cam Lock (B) to engage. Following Cam Lock safety precautions.



Phillips Screwdriver
needed. Not Included.



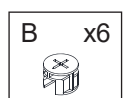
Follow the Cam Lock
safety precautions



A buddy is helpful
for assembly.



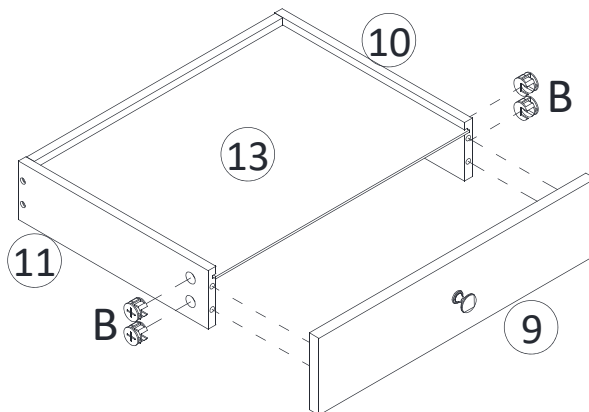
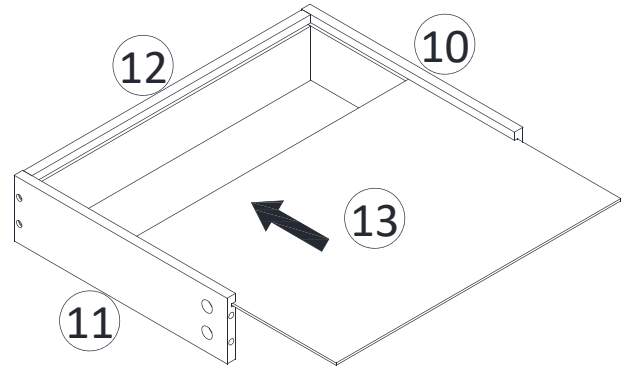
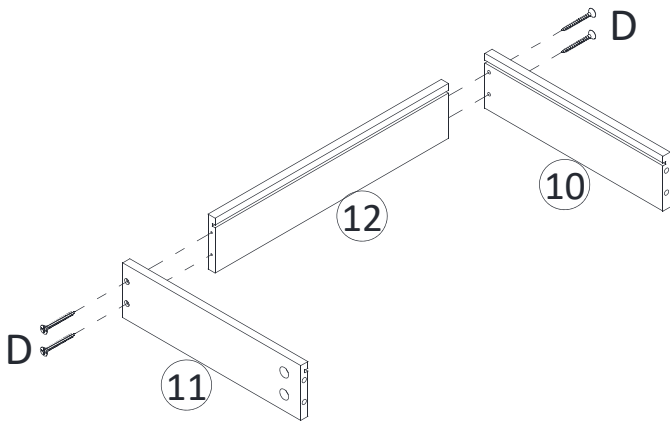
Save these
instructions.



Step 10

Build Drawers

- Fasten Back drawer panel (12) to Left drawer side (10), Right drawer side (11) with 4x Screws (D) and tighten with a screwdriver.
- Insert drawer Bottom (13) into grooves at Back drawer panel (12) to Left drawer side (10), Right drawer side (11).
- Insert 4x Cam Locks (B) to Left drawer side (10), Right drawer side (11) at the specified locations.
- Connect Front drawer panel (9) to Left drawer side (10), Right drawer side (11) by turning all 4x Cam Lock (B) to engage. Following Cam Lock safety precautions.
- Repeat above steps to assemble another drawer.



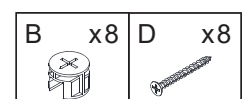
X2



Phillips Screwdriver needed. Not Included.



Follow the Cam Lock safety precautions

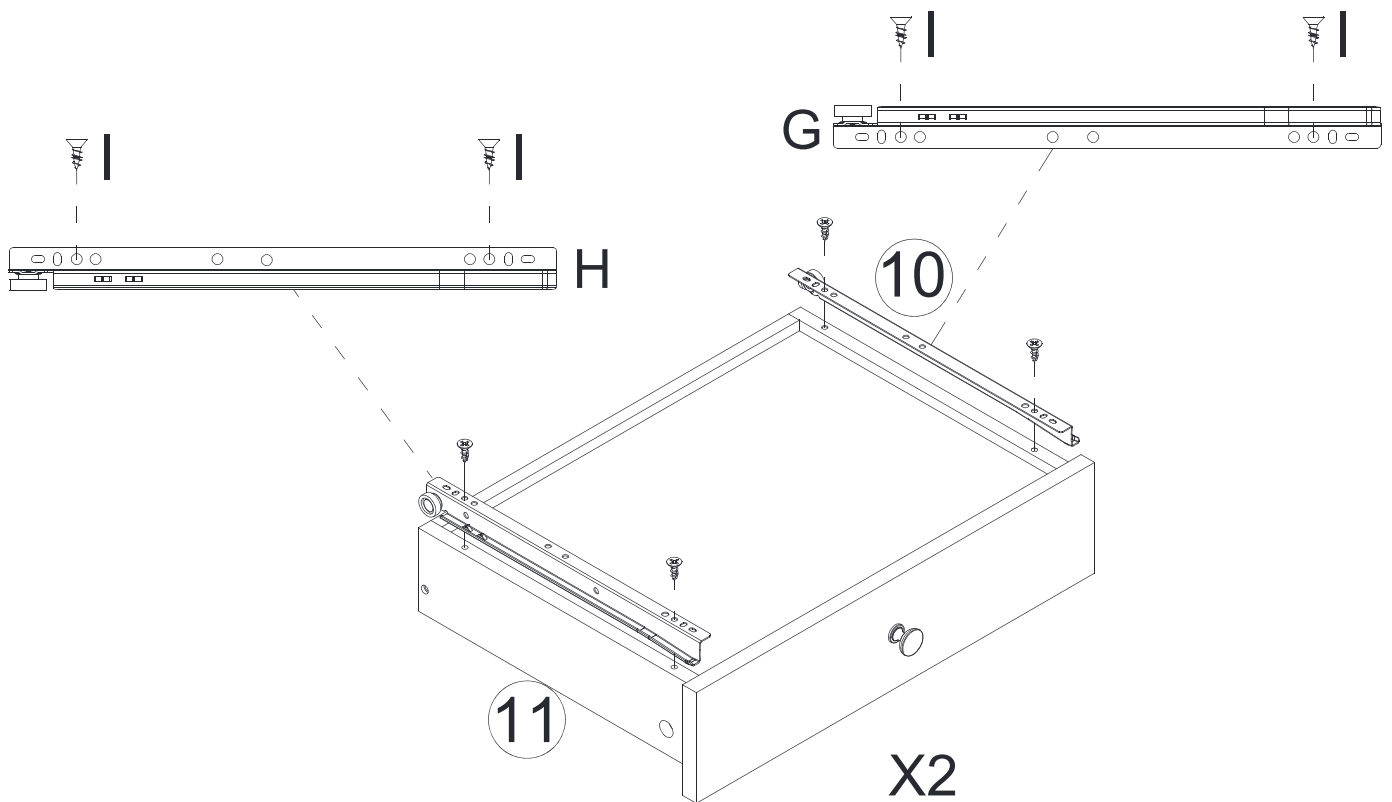


Save these instructions.

Step 11

Attach Drawer Slide

- Fasten Right drawer slide (G) to Left drawer side ⑩ and Left drawer slide (H) to Right drawer side ⑪ with 4x Screws (I) and tighten with a Phillips screwdriver. Following below diagram.
- Repeat the above steps to assemble drawer slide to the another drawer.



Phillips Screwdriver
needed. Not Included.

G	x2	H	x2	I	x8

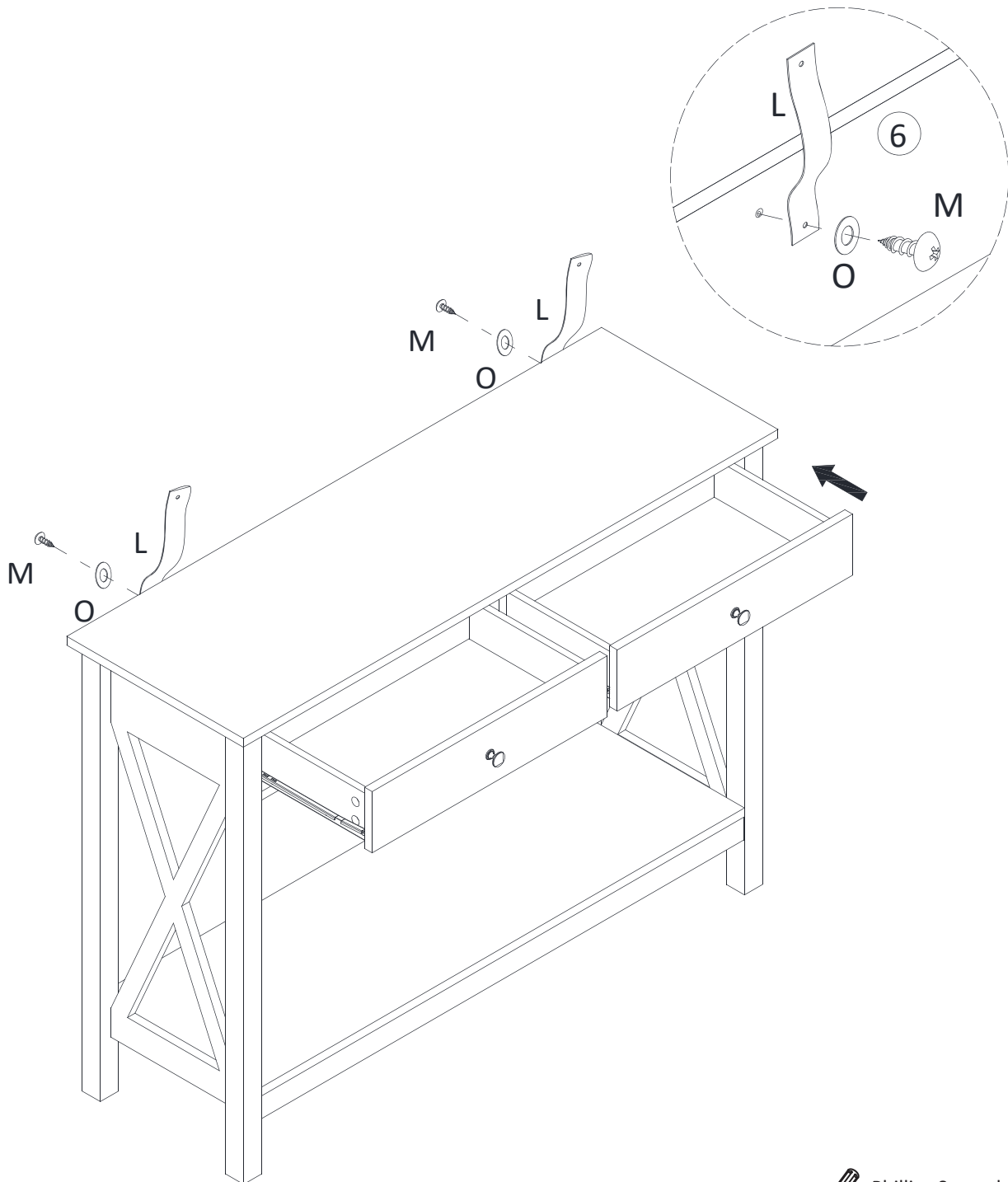


Save these
instructions.

Step 12

Assemble Anti-tip Straps and Slide in Drawers

- Insert the drawer into your unit, lift the front of the drawer up and slide it into the unit.
- Fasten Anti-tip strap (L) to back cross panel (6) with 2x Screws (M), Washer(O) and tighten with Phillips screwdriver.



Phillips Screwdriver
needed. Not Included.



A buddy is helpful
for assembly.



Save these
instructions.

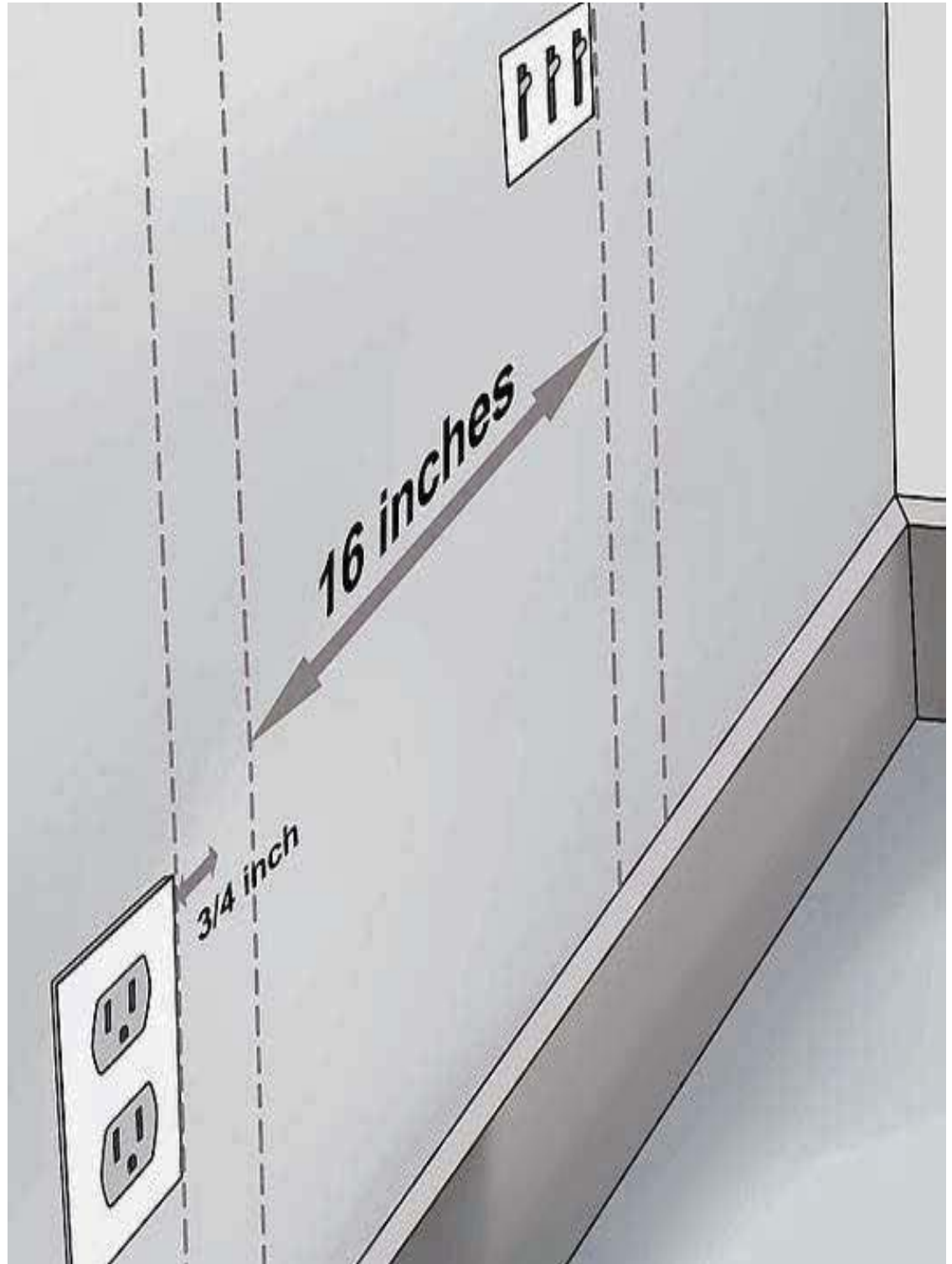
L	x2	M	x2	O	2



Anchor Instructions

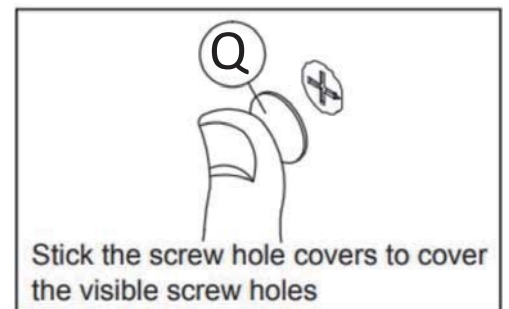
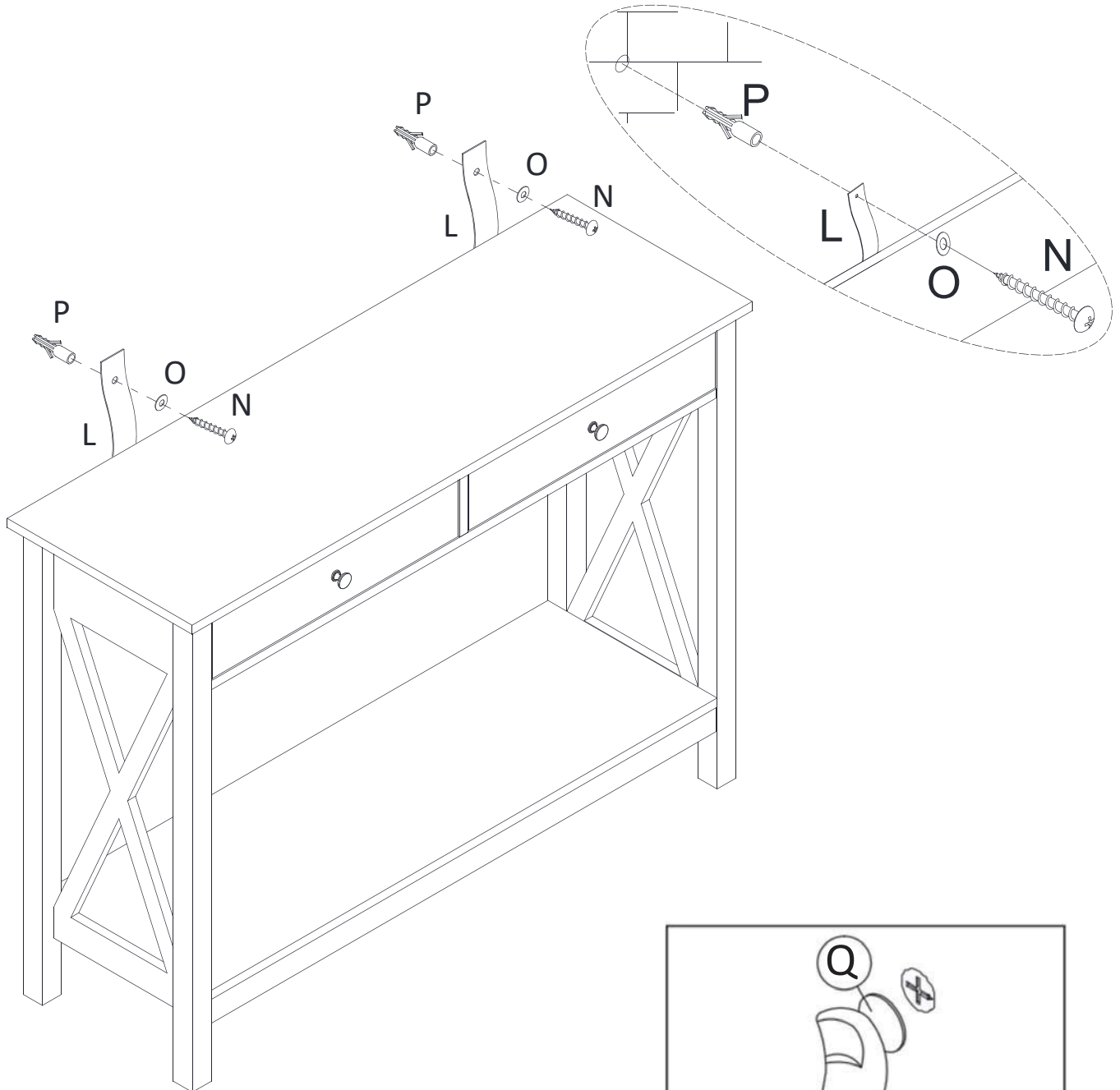
- Locate solid wood studs to mount the anchor to. It is important that the screws are firmly embedded into the wood stud. In cases of thick drywall or wall plaster, you may have to purchase longer screws.

Screwing only into the drywall is not enough and could result in personal or property injury, damage or harm



Step 13 Build Anti-tip Straps to The Wall and Stick Screw Holes Cover

- Locate the wall studs and plug in, 2x Wall Anchor (P) into the wall studs.
- Insert 2x Screws (N) through Washer (O) and Anti-tip strap (L) then tighten to Wall Anchor (P).
- Stick the screw hole covers (Q) to cover the visible screw holes.



Phillips Screwdriver needed. Not Included.



A buddy is helpful for assembly.



Save these instructions.

N	x2	O	x2	P	x2	Q	x12