

ASSEMBLY TIPS:



1. Remove hardware from box and sort by size
2. Please check to see that all hardware and parts are present prior start of assembly.
3. Please follow attached instruction in the same sequence as numbered to assure fast & easy assembly.



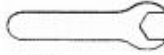



Warning!

1. Don't attempt to repair or modify parts that are broken or defective. Please contact the store immediately.
2. This product is for home use only and not intended for commercial establishment

PARTS IDENTIFICATION

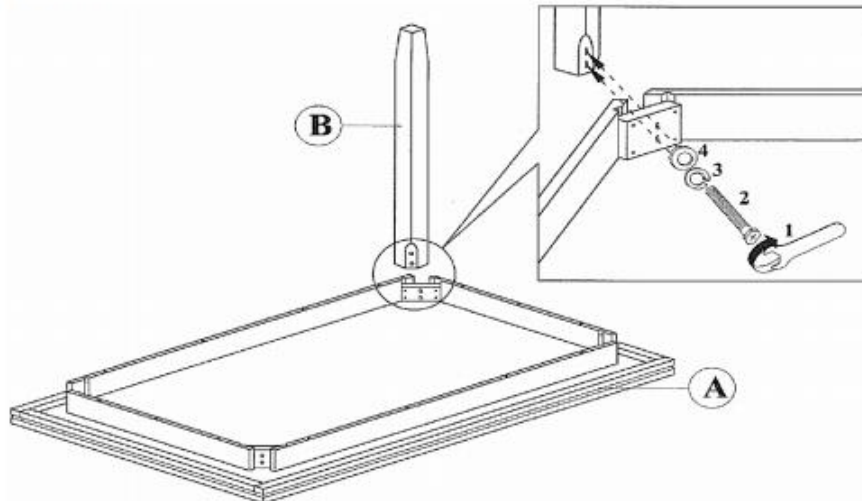
A		TABLE TOP	1PC
B		TABLE LEG	4PCS

HARDWARE IDENTIFICATION

1		WRENCH	1PC
2		HEX BOLT	8PCS
3		LOCK WASHER	8PCS
4		FLAT WASHER	8PCS

STEP 1

Place table top upside down on soft surface, then align and fasten all legs to table top using bolt, lock washer and flat washer and tighten with wrench.



ASSEMBLY TIPS :

1. Remove hardware from box and sort by size.
2. Please check to see that all hardware and parts are present prior to start of assembly.
3. Please follow attached instruction in the same sequence as numbered to assure fast & easy assembly.



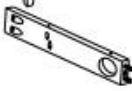



**Warning !**

1. Don't attempt to repair or modify parts that are broken or defective. Please contact the store immediately.
2. This product is for home use only and not intended for commercial establishment.





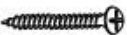
**PARTS IDENTIFICATION:**

ASSEMBLY TIME	20 MINUTES
----------------------	-------------------

PARTS IDENTIFICATION:

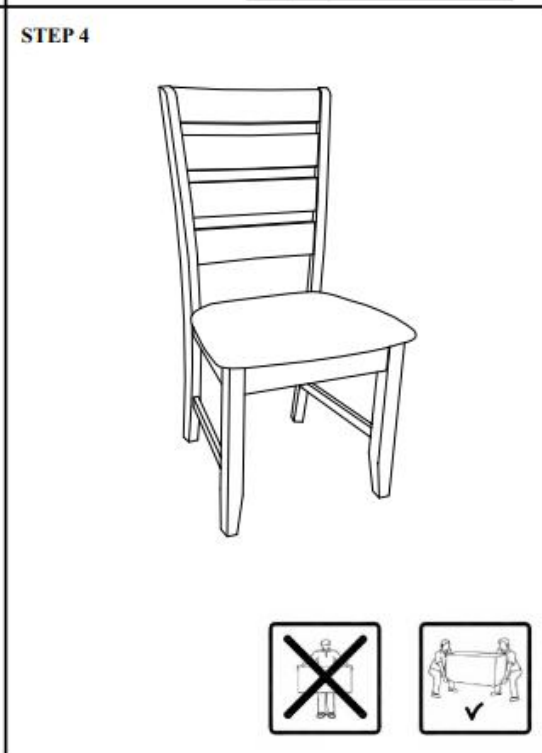
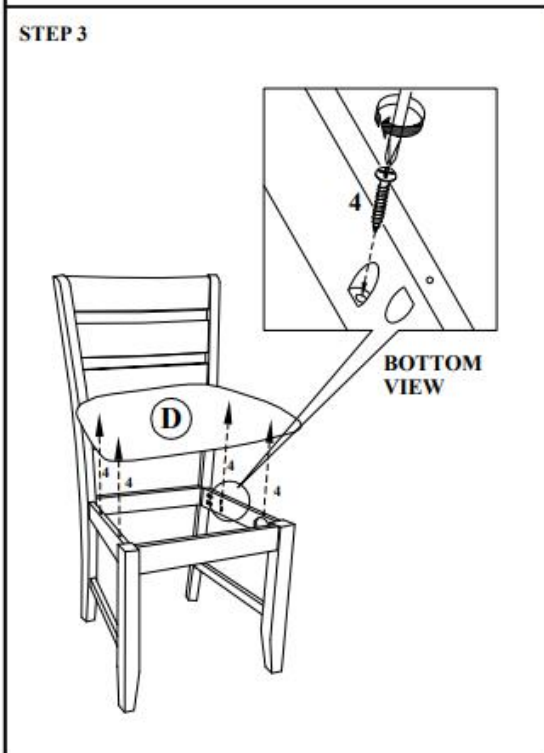
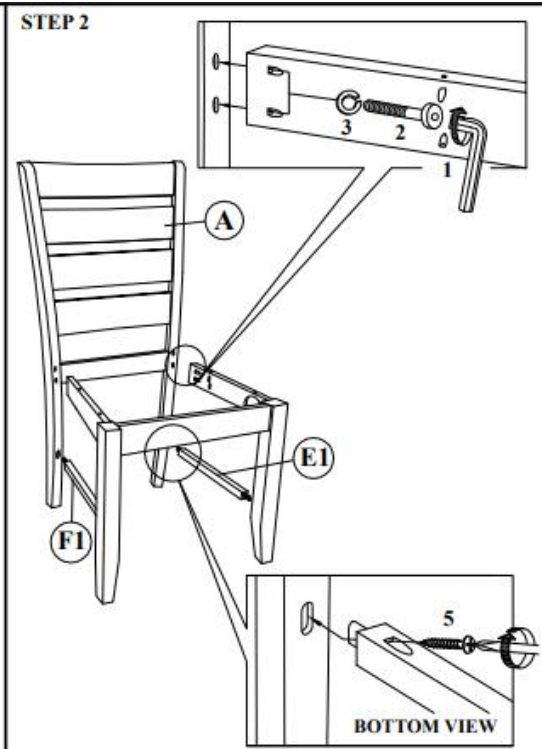
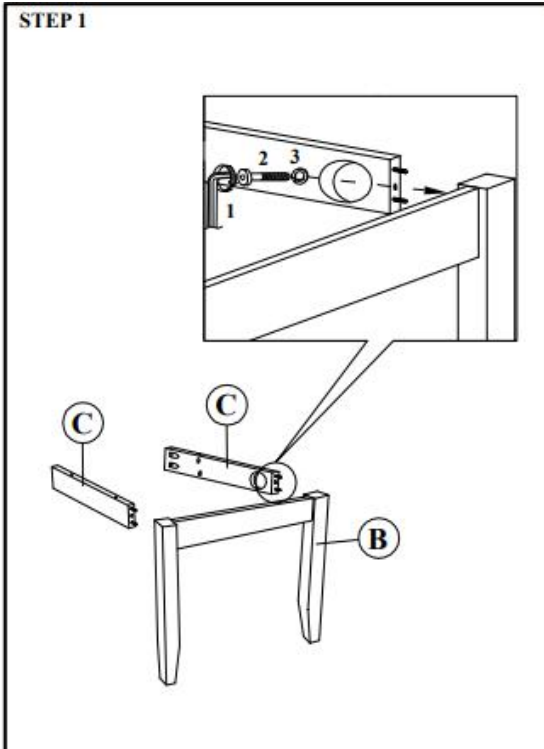
A		CHAIR BACK	1PC
B		FRONT LEG FRAME	1PC
C		SIDE RAIL	2PCS
D		CUSHION SEAT	1PC
E1		RIGHT STRETCHER	1PC
F1		LEFT STRETCHER	1PC

HARDWARE IDENTIFICATION:

1		ALLEN WRENCH	1PC
2		BOLT	6PCS
3		LOCK WASHER	6PCS
4		SHORT PAN HEAD SCREW	4PCS
5		LONG PAN HEAD SCREW	4PCS

NOTE : QUANTITIES SHOWN ARE FOR ONE CHAIR.

NOTE : PHILLIPS HEAD SCREW DRIVER IS REQUIRED IN THE ASSEMBLY PROCESS. HOWEVER, MANUFACTURER DOES NOT PROVIDE THIS ITEM.



ASSEMBLY TIPS:

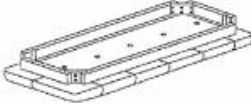
1. Remove hardware from box and sort by size
2. Please check to see that all hardware and parts are present prior start of assembly.
3. Please follow attached instruction in the same sequence as numbered to assure fast & easy assembly.



Warning!


1. Don't attempt to repair or modify parts that are broken or defective. Please contact the store immediately.
2. This product is for home use only and not intended for commercial establishment

PARTS IDENTIFICATION


A  SEAT FRAME WITH CUSHION SEAT 1PC


B  LEG 4PCS

HARDWARE IDENTIFICATION

1  WRENCH 1PC

2  HEX BOLT 8PCS

3  LOCK WASHER 8PCS

4  FLAT WASHER 8PCS

STEP 1

Place seat frame with cushion seat upside down on soft surface, then align and fasten all legs to seat frame using bolt, lock washer and flat washer and tighten with wrench.

