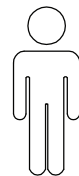
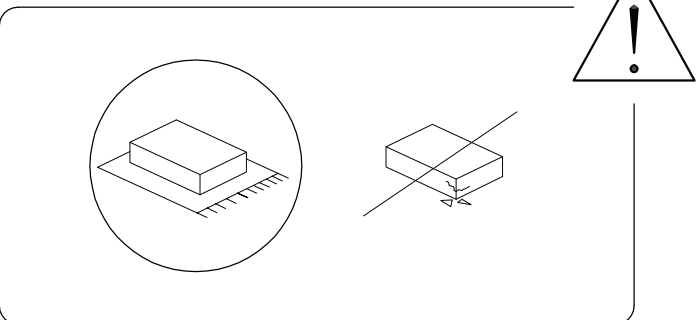
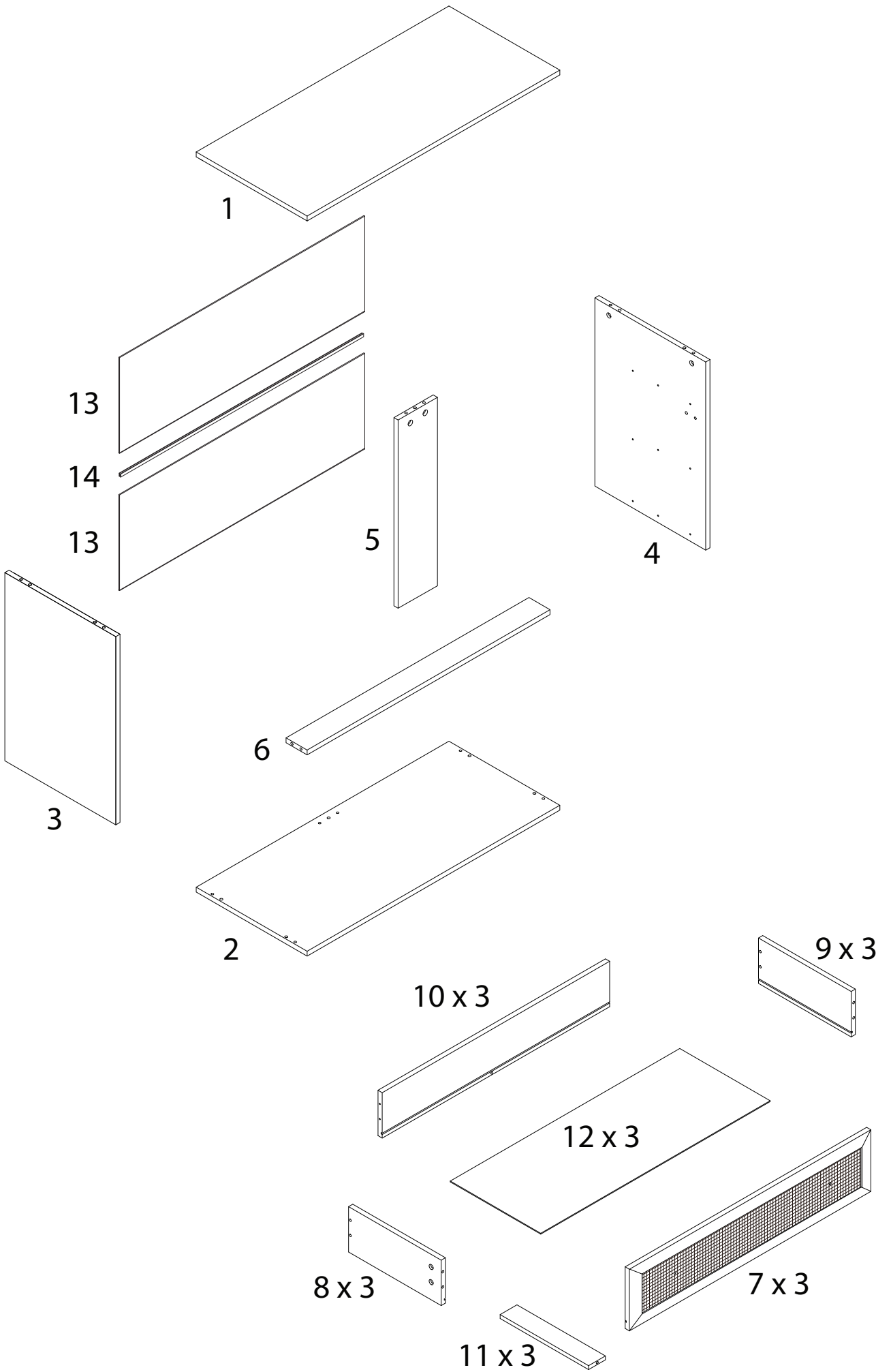
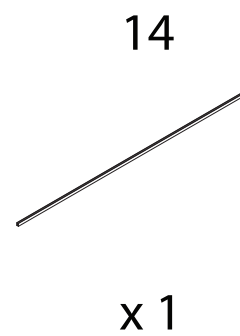
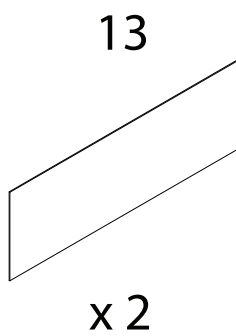
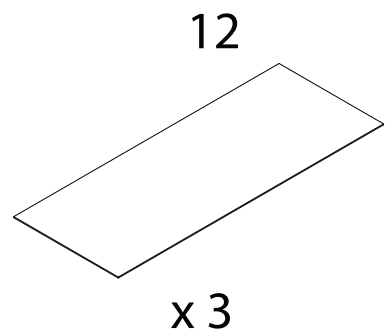
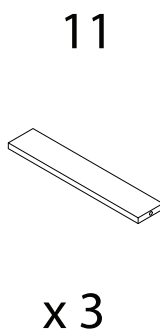
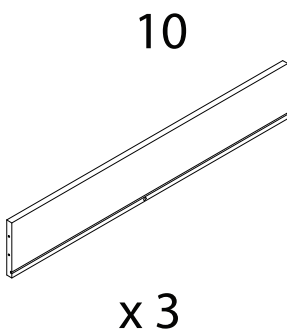
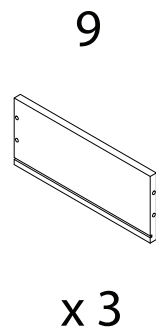
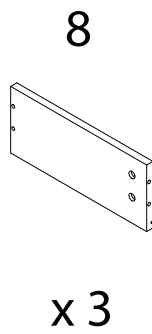
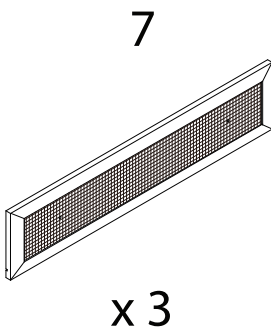
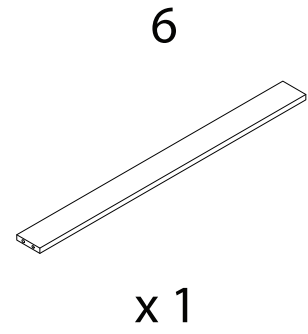
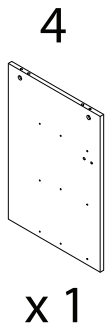
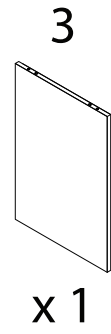
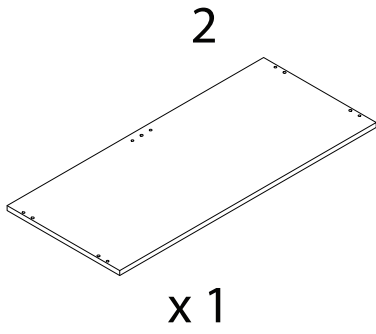
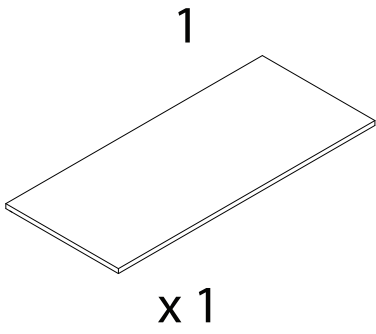


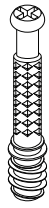
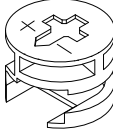

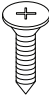
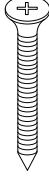
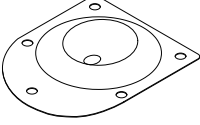

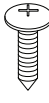
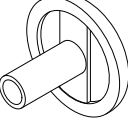
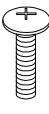

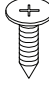
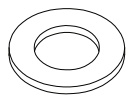
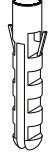
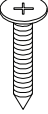
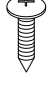
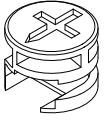
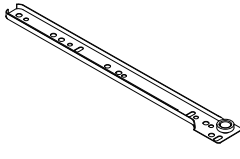
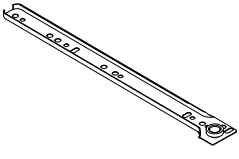
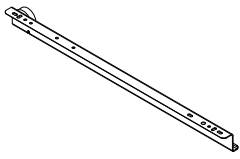
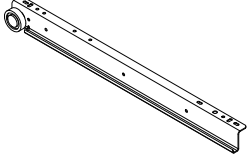
60'



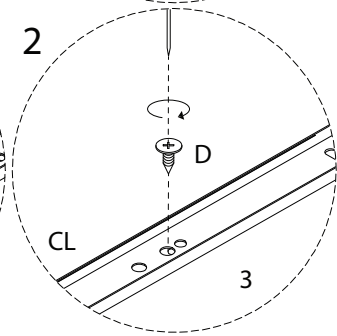
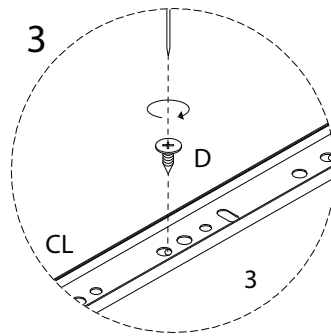
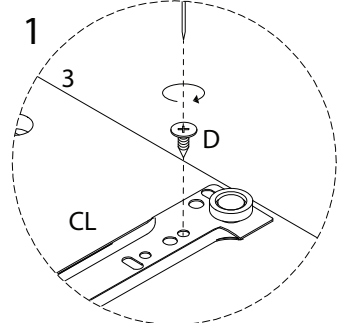
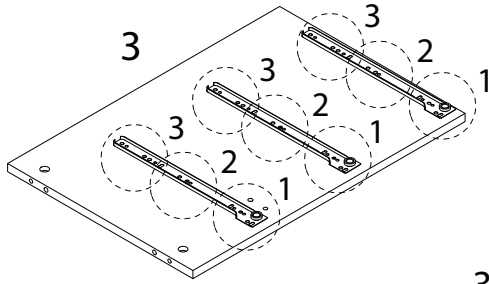
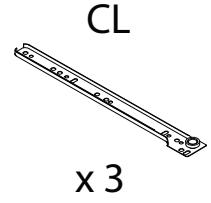
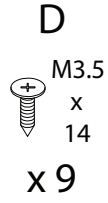
2



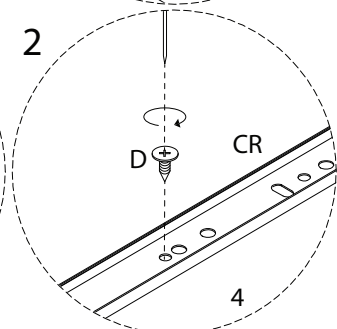
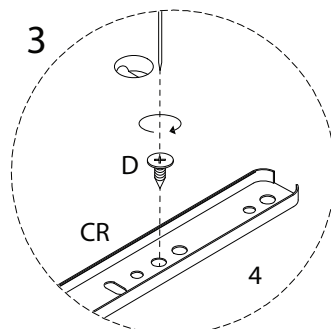
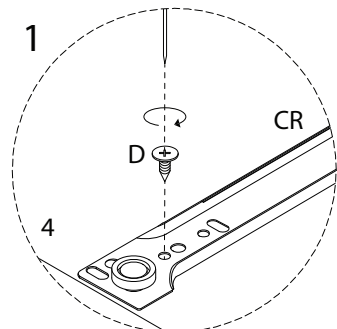
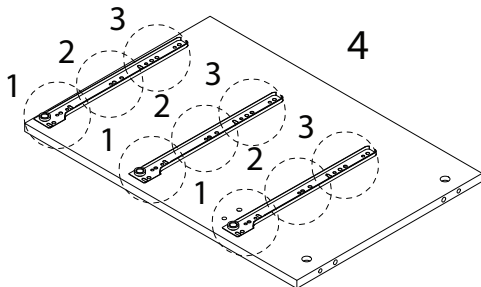
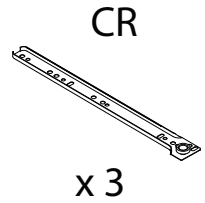
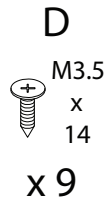
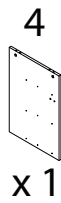


| | | | | |
|-------------------------------------------------------------------------------------------------------------------------------|---------------------------------------------------------------------------------------------------------------------------------|---------------------------------------------------------------------------------------------------------------------------------|-----------------------------------------------------------------------------------------------------------------------------------|------------------------------------------------------------------------------------------------------------|
| <p>A</p>  <p>x 23</p> | <p>B</p>  <p>x 20</p> | <p>C</p>  <p>x 12</p> | <p>D</p>  <p>M3.5 x 14</p> <p>x 36</p> | |
| <p>E</p>  <p>M5 x 40</p> <p>x 21</p> | <p>F</p>  <p>x 4</p> | <p>G</p>  <p>x 4</p> | <p>H</p>  <p>M4 x 14</p> <p>x 20</p> | |
| <p>I1</p>  <p>x 6</p> | <p>I2</p>  <p>M4 x 10</p> <p>x 6</p> | <p>J1</p>  <p>x 2</p> | <p>J2</p>  <p>M3 x 16</p> <p>x 2</p> | |
| <p>J3</p>  <p>x 4</p> | <p>J4</p>  <p>x 2</p> | <p>J5</p>  <p>M4 x 30</p> <p>x 2</p> | <p>K</p>  <p>M3 x 16</p> <p>x 18</p> | |
| <p>L</p>  <p>x 3</p> | <p>CL</p>  <p>x 3</p> | <p>CR</p>  <p>x 3</p> | <p>DL</p>  <p>x 3</p> | <p>DR</p>  <p>x 3</p> |

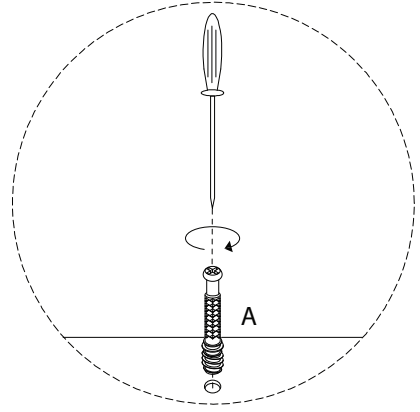
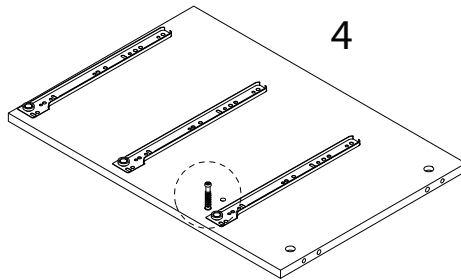
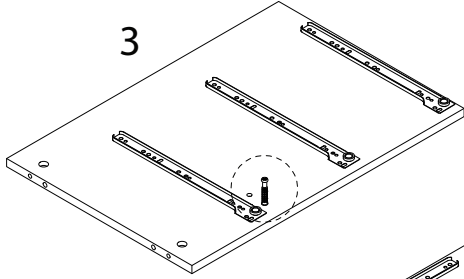
1



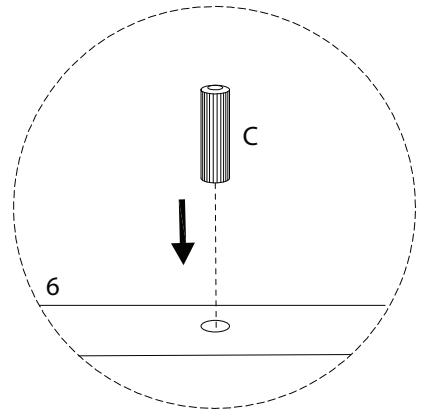
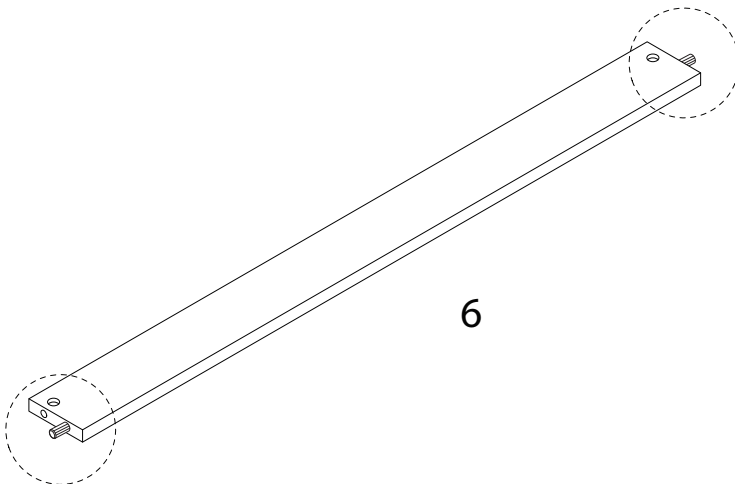
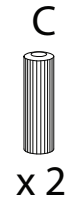
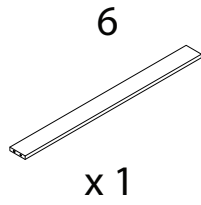
2



3



4

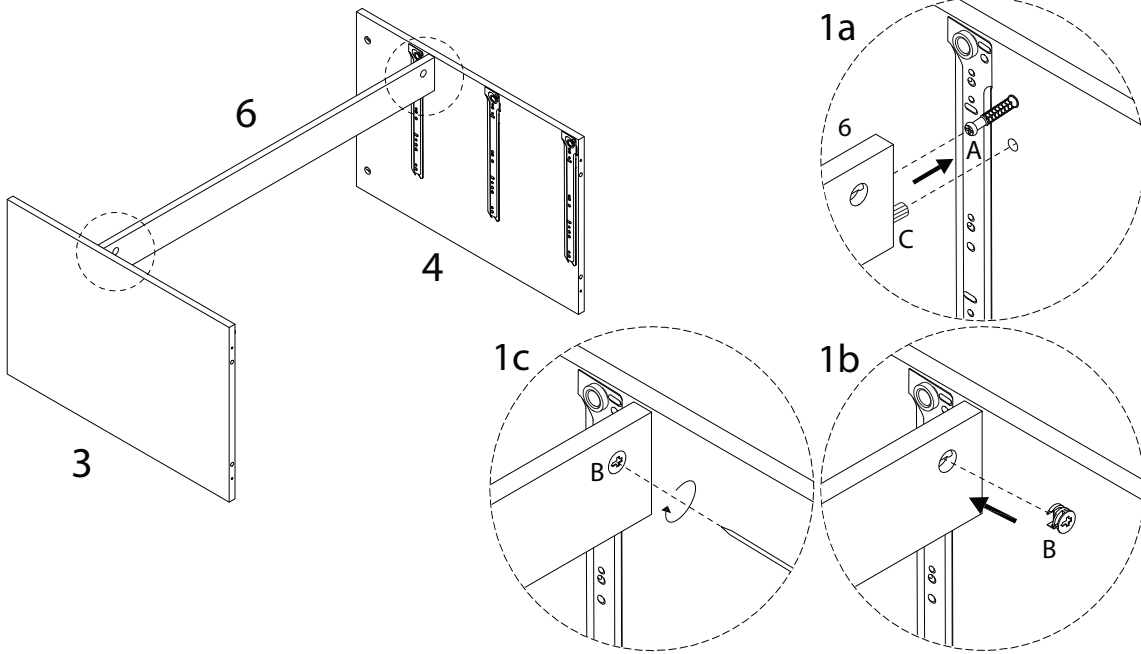


5

B

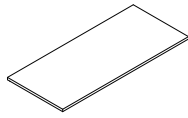


x2



6

1

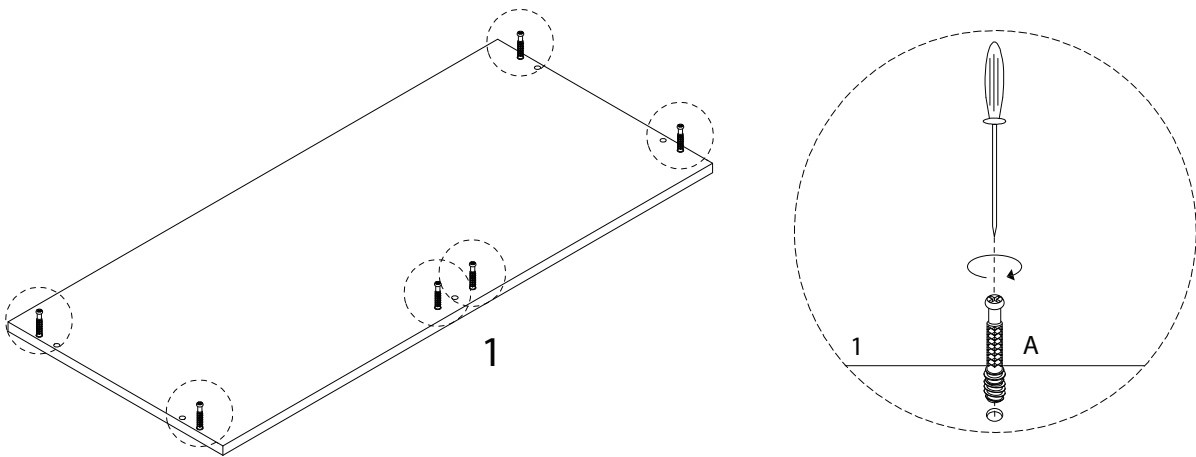


x1

A

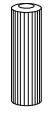


x6

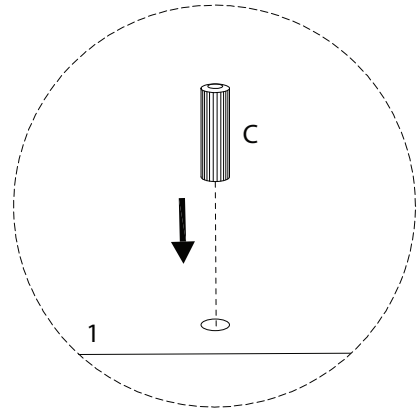
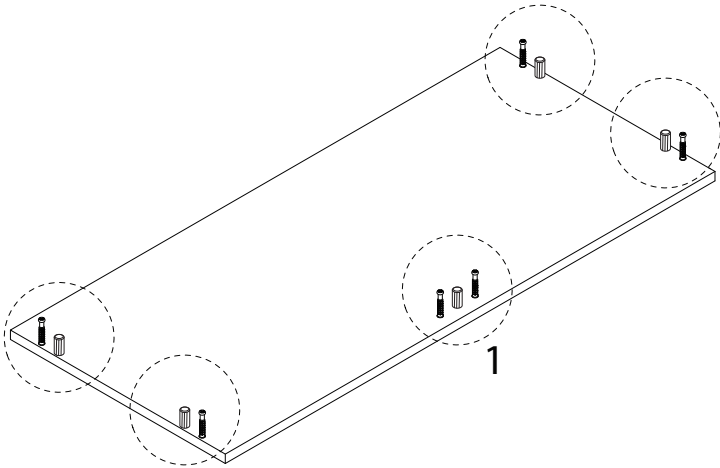


7

C



x 5

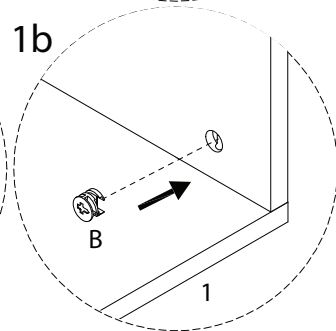
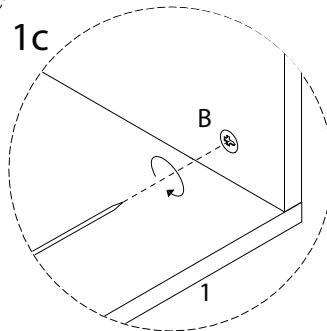
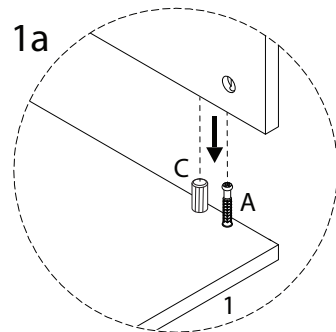
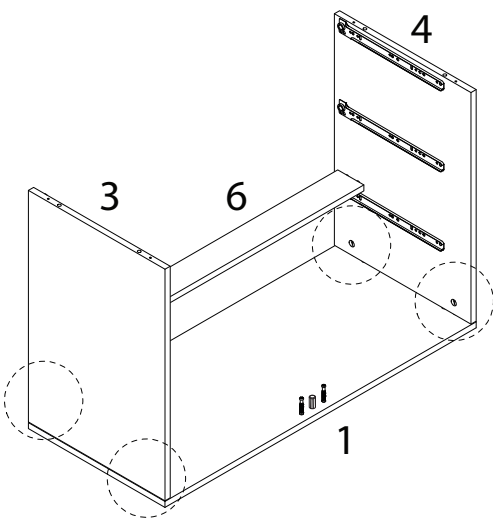


8

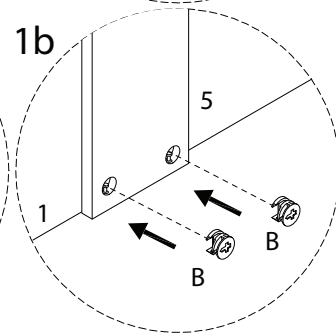
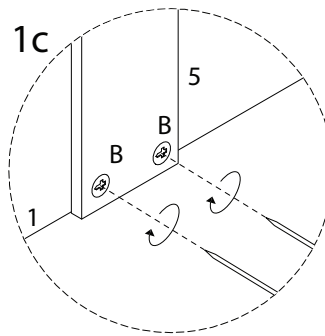
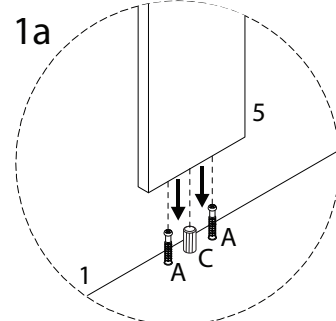
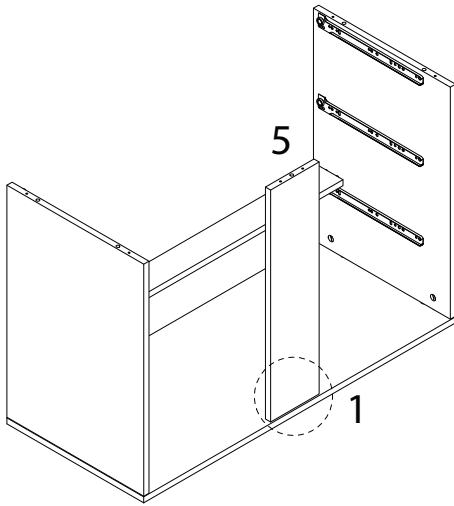
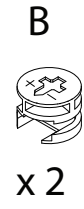
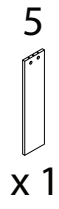
B



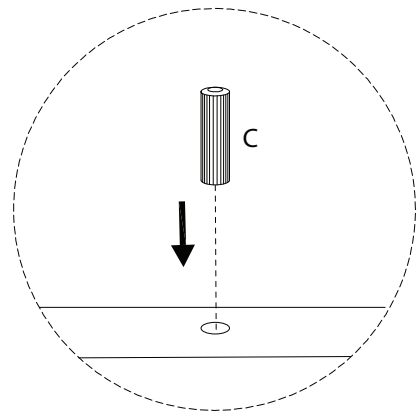
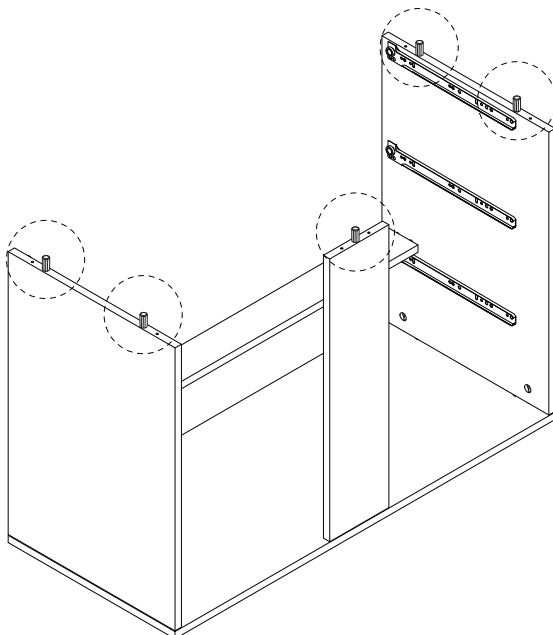
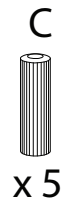
x 4



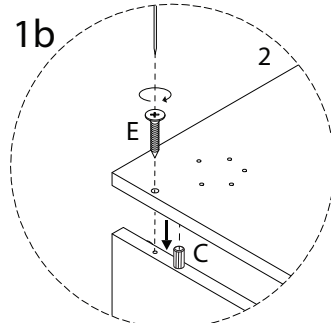
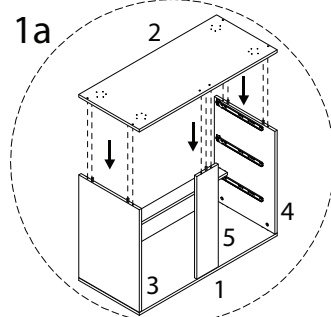
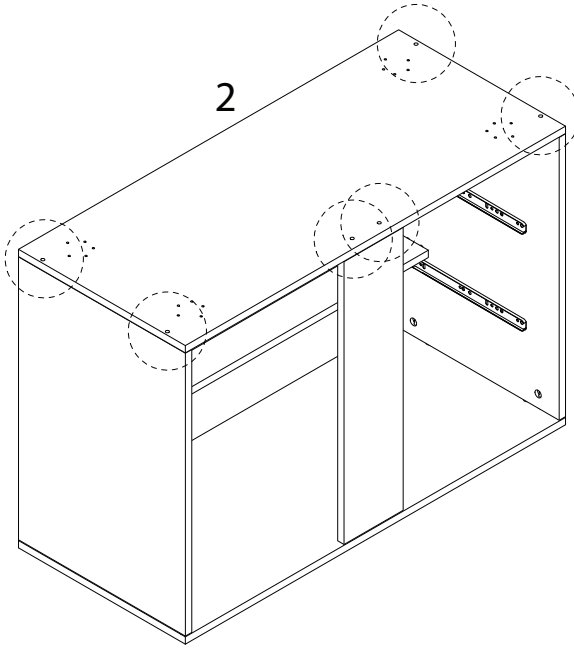
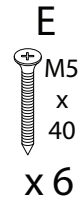
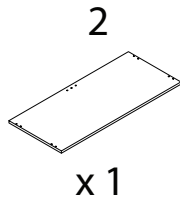
9



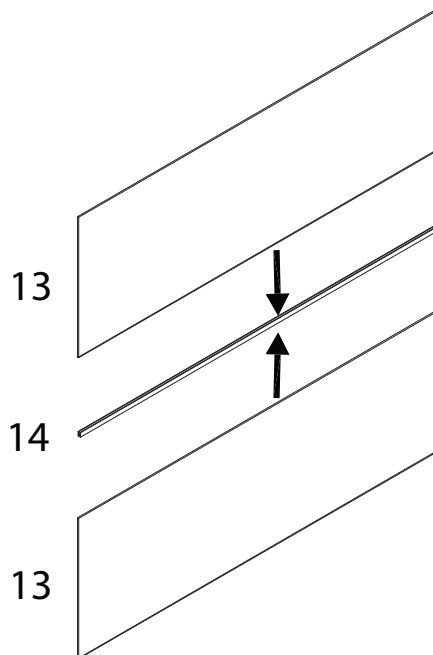
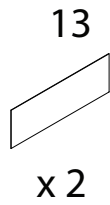
10



11



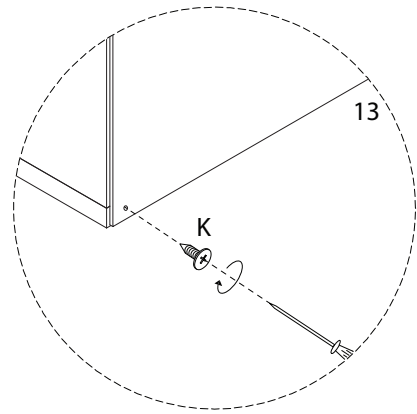
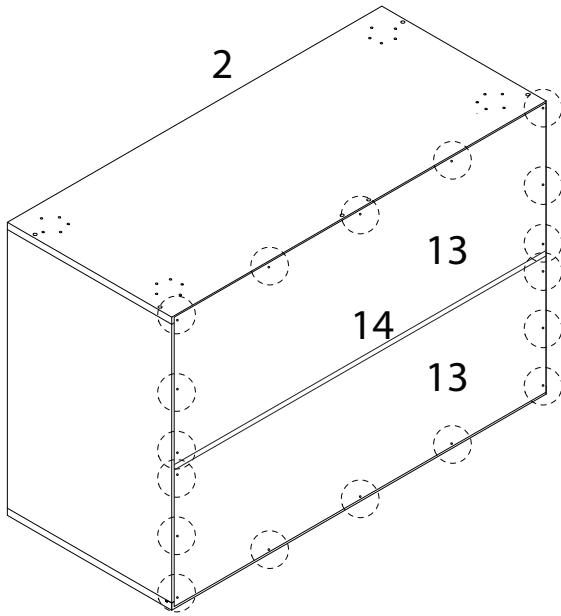
12



13

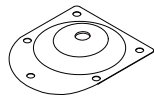
K

M3
x
16
x 18



14

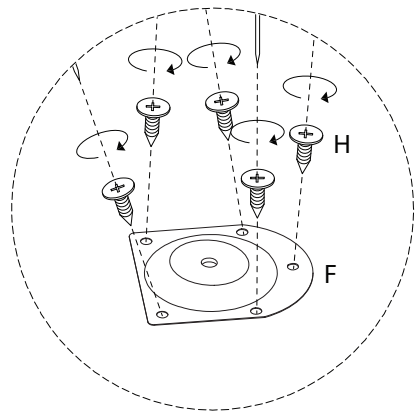
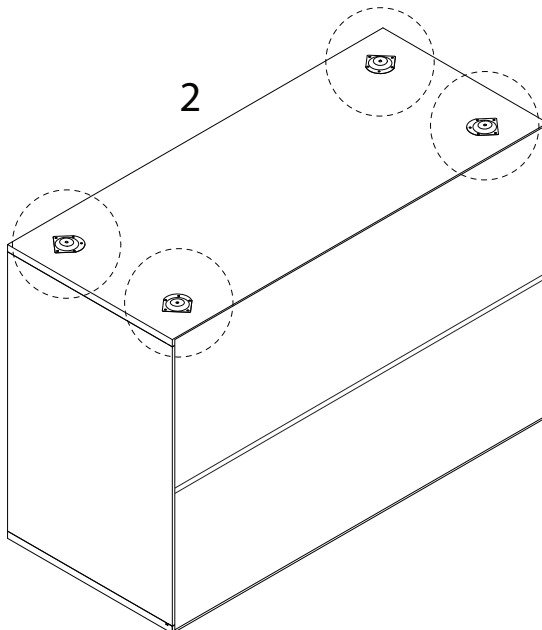
F



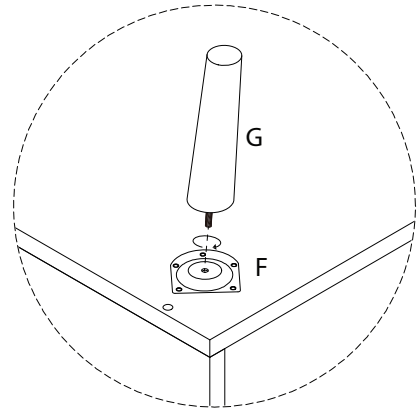
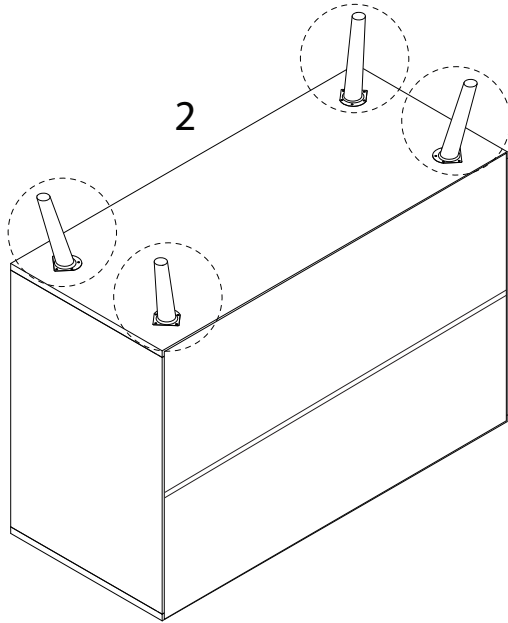
x 4

H

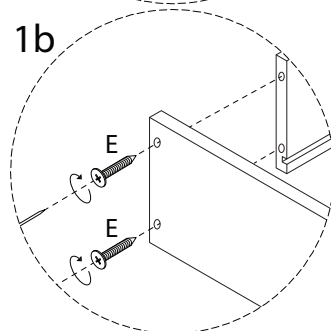
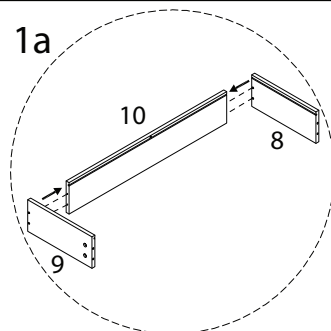
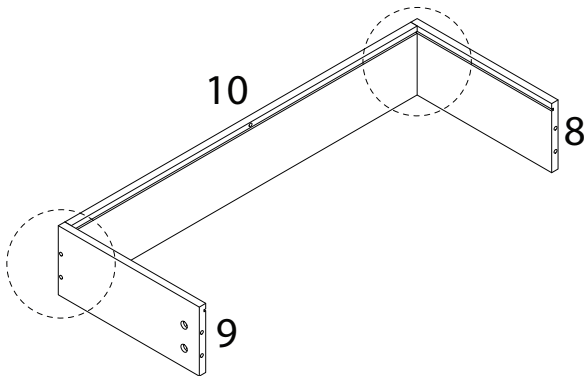
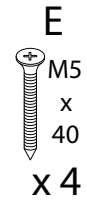
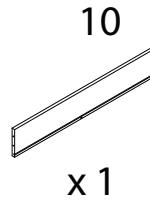
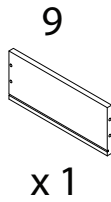
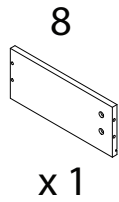
M4
x
14
x 20



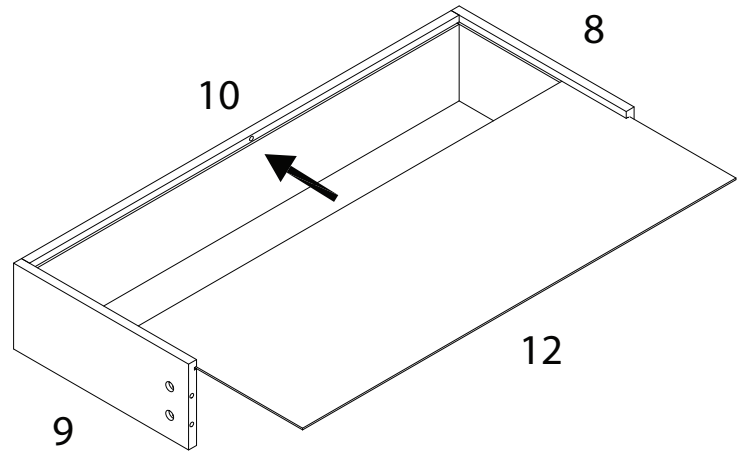
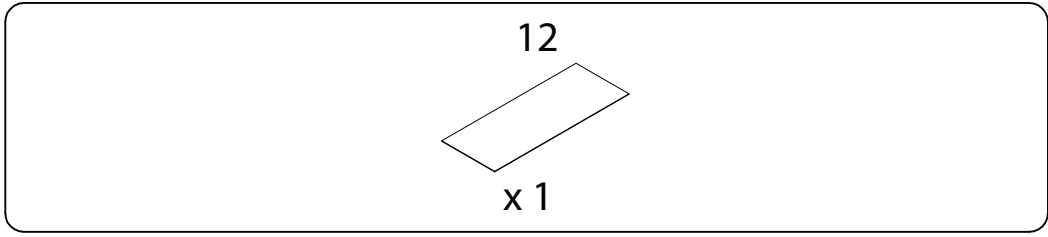
15



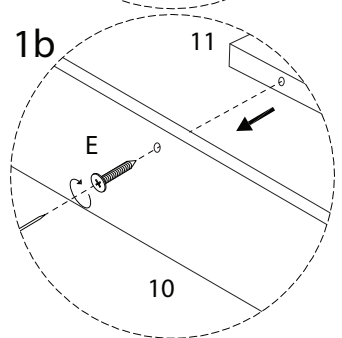
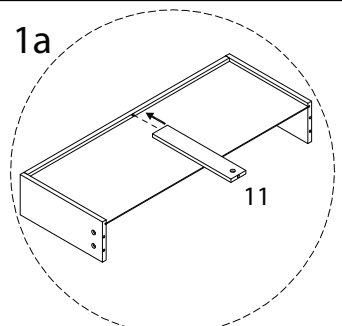
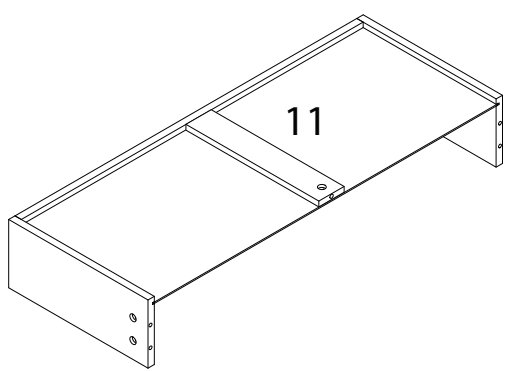
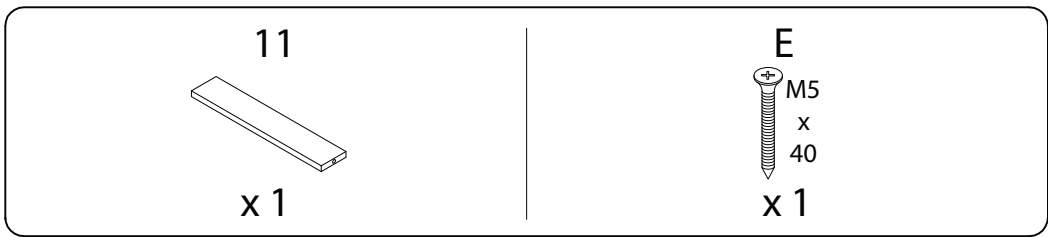
16 x 3



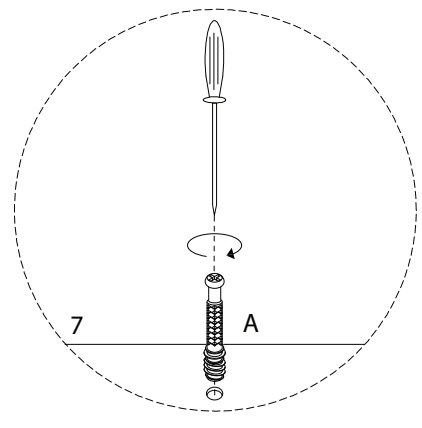
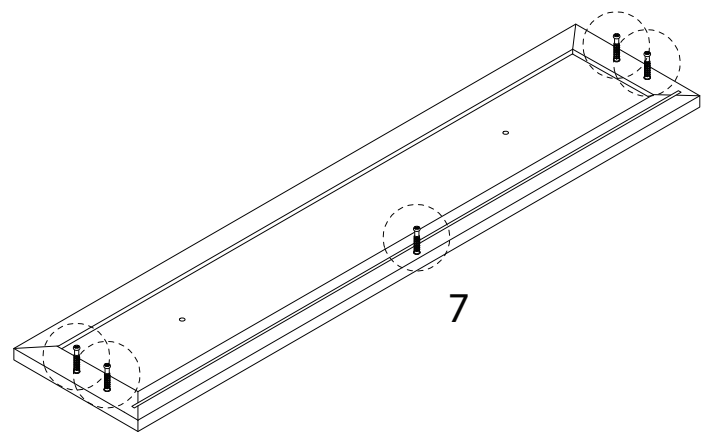
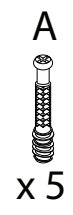
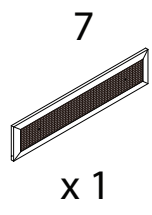
17 x 3



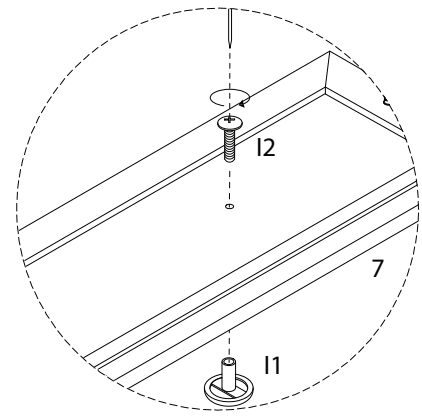
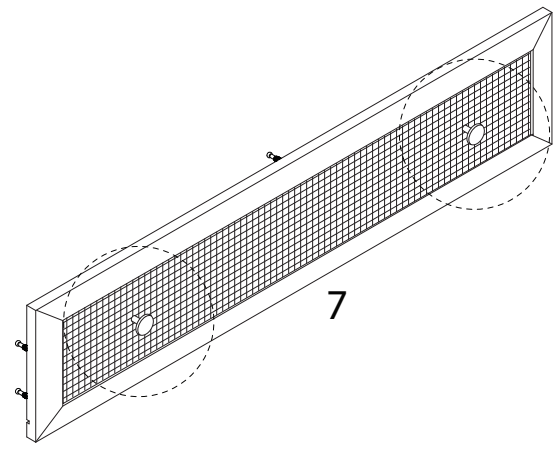
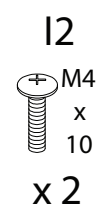
18 x 3



19 x 3



20 x 3

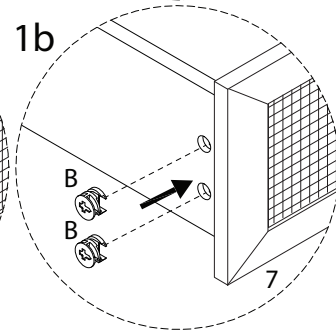
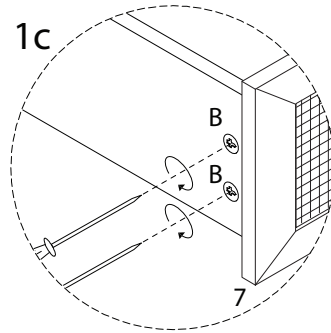
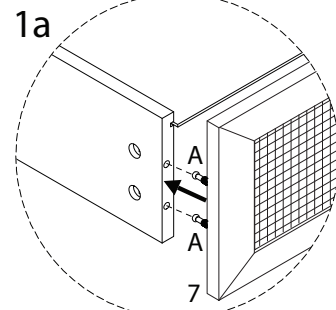
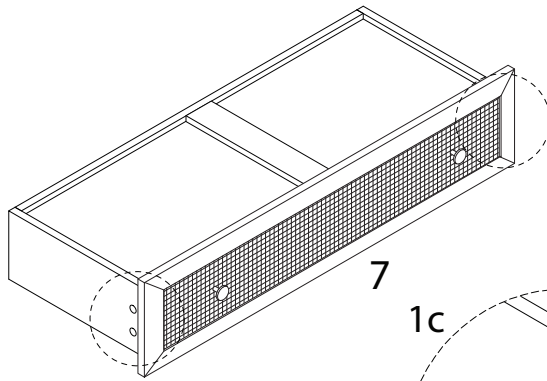


21 x 3

B



x 4

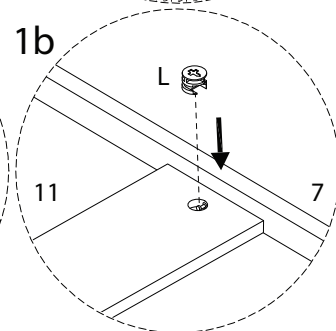
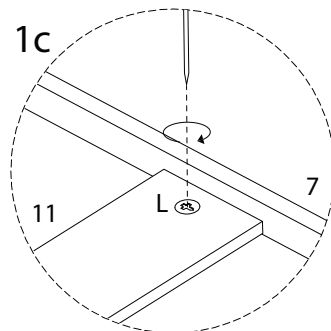
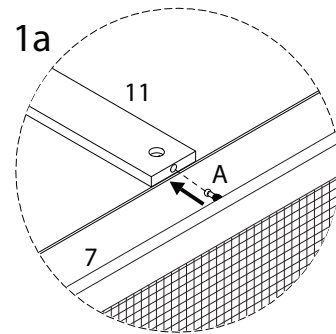
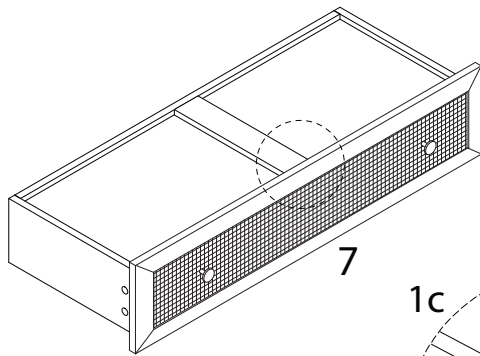


22 x 3

L

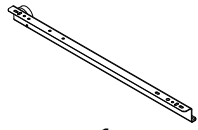


x 1



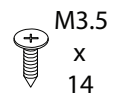
23 x 3

DL

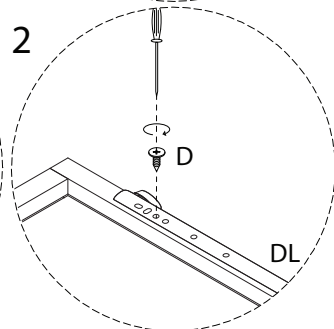
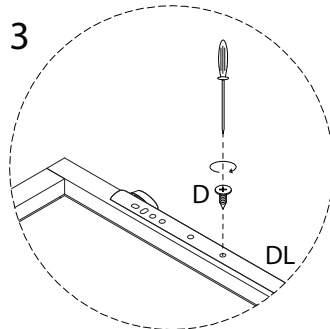
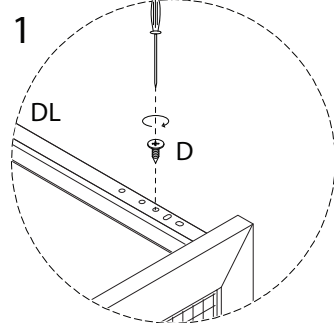
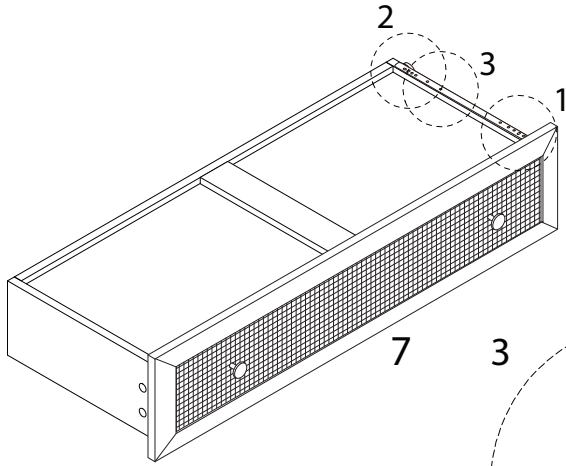


x 1

D

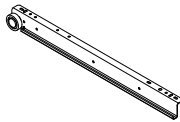


x 3



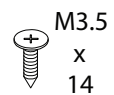
24 x 3

DR

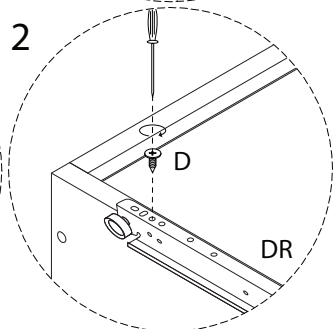
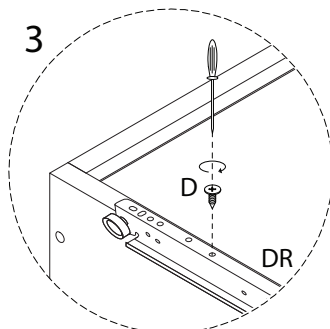
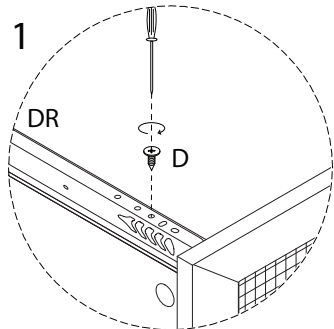
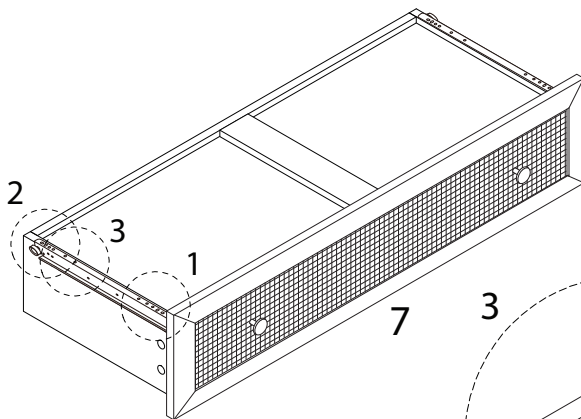


x 1

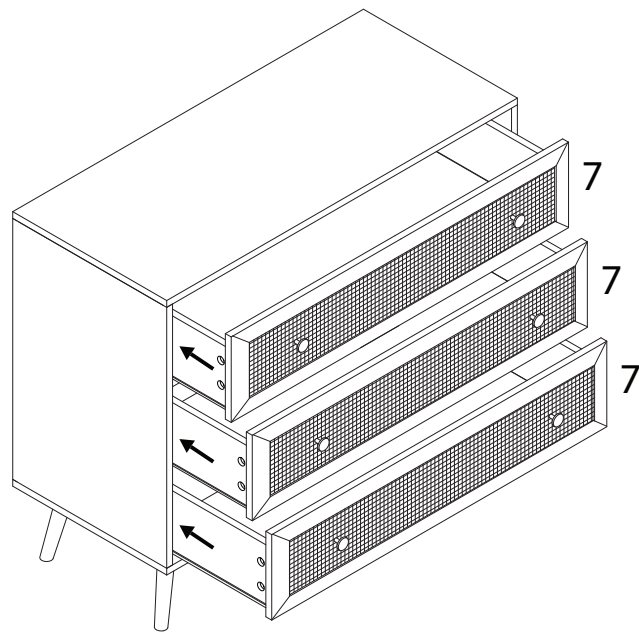
D





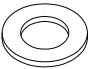

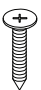
x 3



25



26

| | | | | |
|------------------------------------------------------------------------------------------------|-----------------------------------------------------------------------------------------------------------------|------------------------------------------------------------------------------------------------|--------------------------------------------------------------------------------------------------|-------------------------------------------------------------------------------------------------------------------|
| J1  x 2 | J2  M3 x 16 x 2 | J3  x 4 | J4  x 2 | J5  M4 x 30 x 2 |
|------------------------------------------------------------------------------------------------|-----------------------------------------------------------------------------------------------------------------|------------------------------------------------------------------------------------------------|--------------------------------------------------------------------------------------------------|-------------------------------------------------------------------------------------------------------------------|

