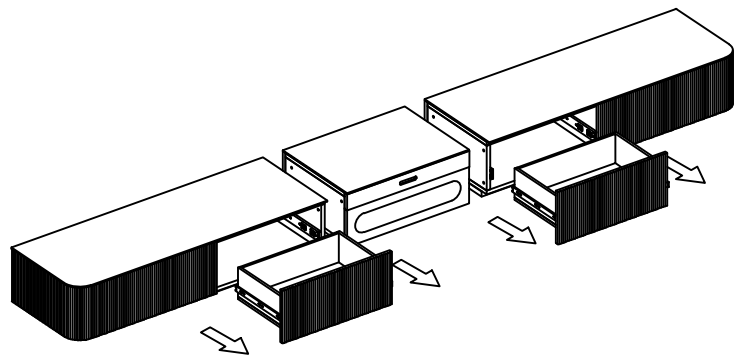
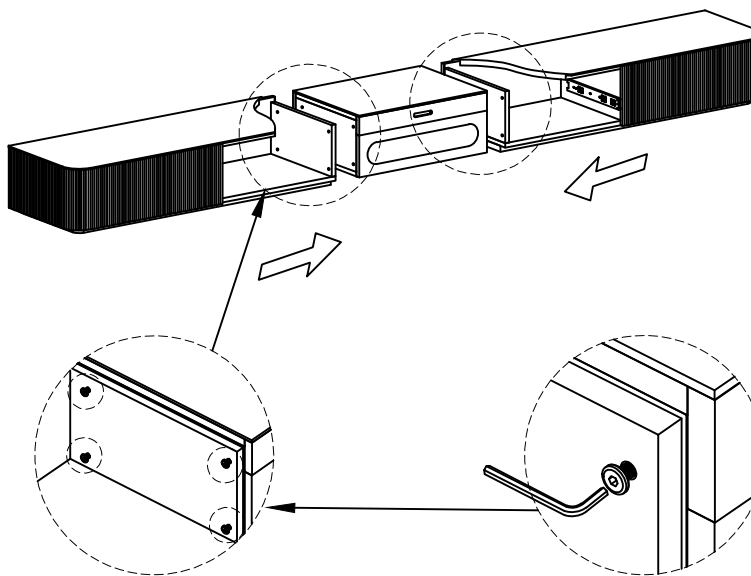


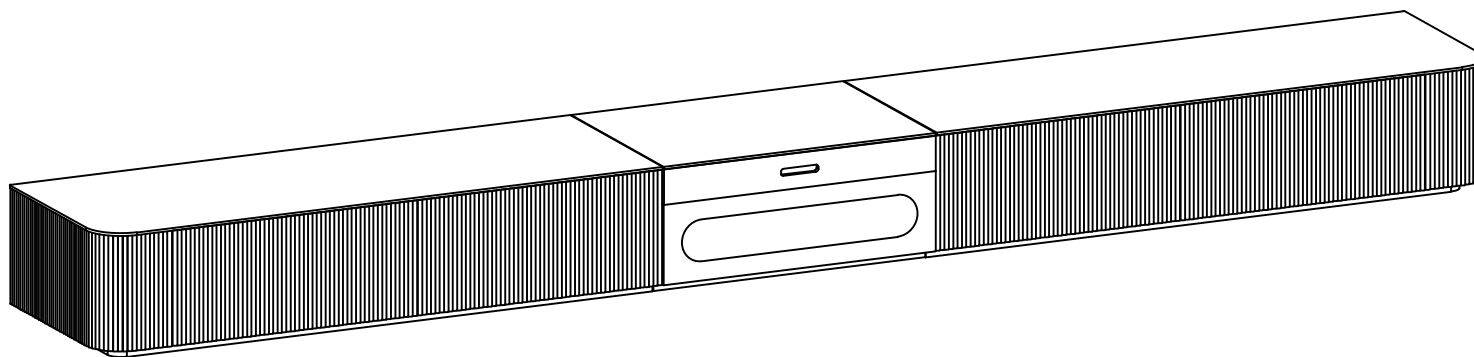
1. Take out the drawers on the cabinets.



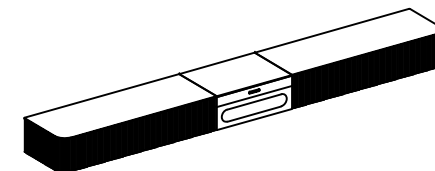
2. Find the holes in the inner panels of the cabinets on both sides, put in the hexagonal wire, and connect with the middle cabinet. After combining the three cabinets, just put the drawer back.



3. The installation is complete.



Installation instruction




Installation

The number of people needed for installation: 2

- ① Please read the manual carefully before installing this product. And strictly follow the installation process
- ② Please take good care of this manual for your next installation

Parts list

Serial number	Shape	Name	Quantity
A		Hexagonal wire (M8*30mm)	8