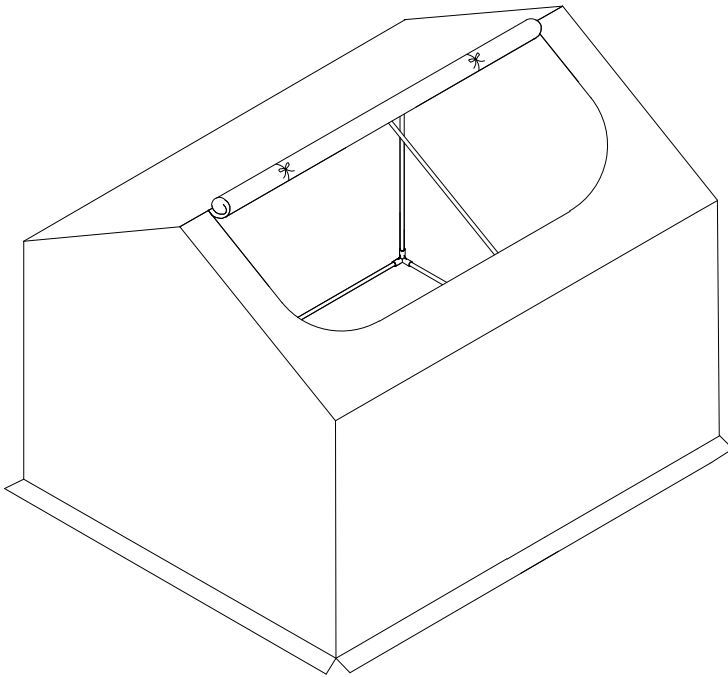


Assembly & Instruction Manual

SKU:A012/A013/014/015/016

Raised Garden bed Installation Guide






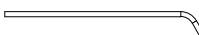
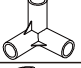
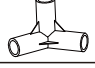

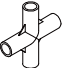
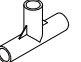

Version: 20241031

Approximate assembly time: **15 Minutes**

People for assembly:

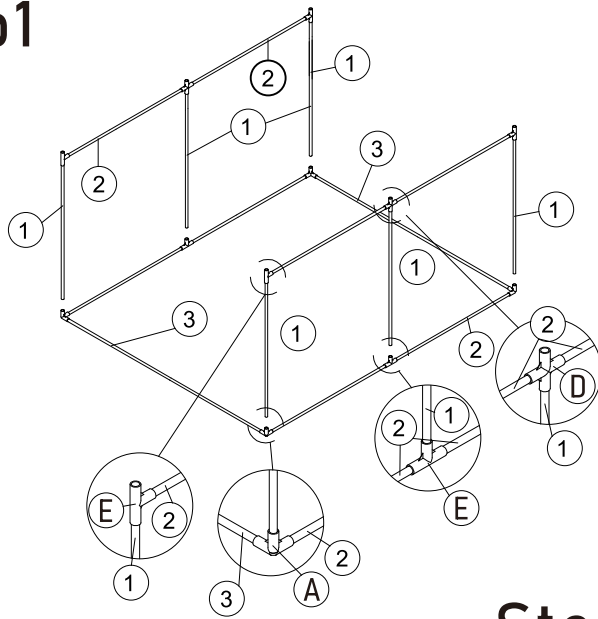


Parts Identification

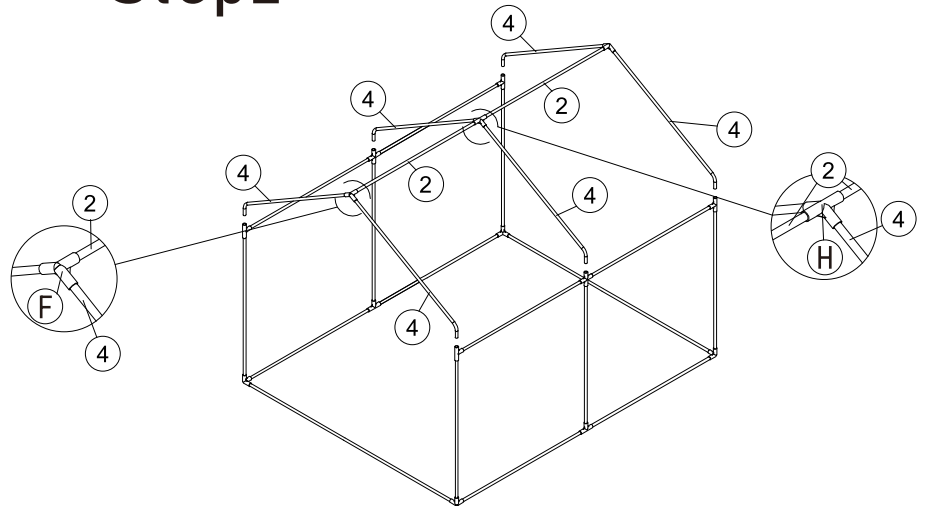
Parts	Component	QTY	Parts	Component	QTY
①		6	②		10
③		2	④		6
Ⓐ		4	Ⓕ		2
Ⓗ		1	Ⓖ		2
Ⓔ		6	⑤		1

Save this manual for future reference

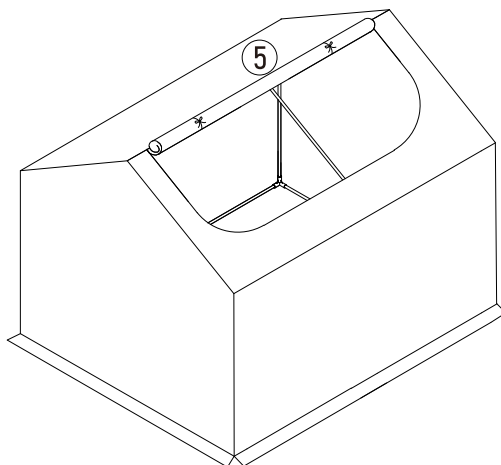
Step1



Step2



Step3



Please don't hesitate to contact us for any further questions,
your satisfaction is guaranteed.
support@aodorshop.com
<https://aodorshop.com/>