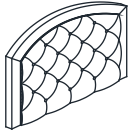


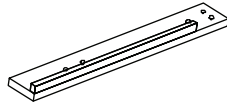
ASSEMBLY INSTRUCTION

1. HEADBOARD
CUSHION



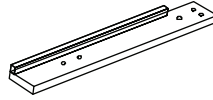
x 1PC

2. HEADBOARD
LEG (LEFT)



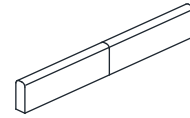
x 1PC

3. HEADBOARD
LEG (RIGHT)



x 1PC

4. FOOTBOARD
CUSHION



x 1PC

5. FOOTBOARD
LEG



x 2PCS

6. SIDE RAIL



x 2PCS

7. SIDE RAIL



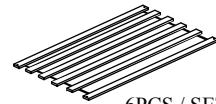
x 2PCS

8. SIDE RAIL
SUPPORT LEG



x 2PCS

9. ROLL SLAT



6PCS / SET

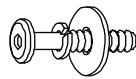
x 2 SET

A. JCBB SCREW
M8 x 20mm



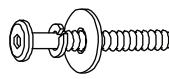
x 8PCS

B. JCBB SCREW
M6 x 25mm
(with washer)



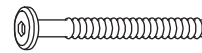
x 8PCS

C. JCBB SCREW
M6 x 35mm
(with washer)



x 6PCS

D. JCBB SCREW
M6 x 70mm



x 2PCS

E. WOOD DOWEL
M8 x 30mm



x 2PCS

F. SCREW
M4 x 32mm



x 8PCS

G. L-KEY
M5 x 65mm



x 1PC

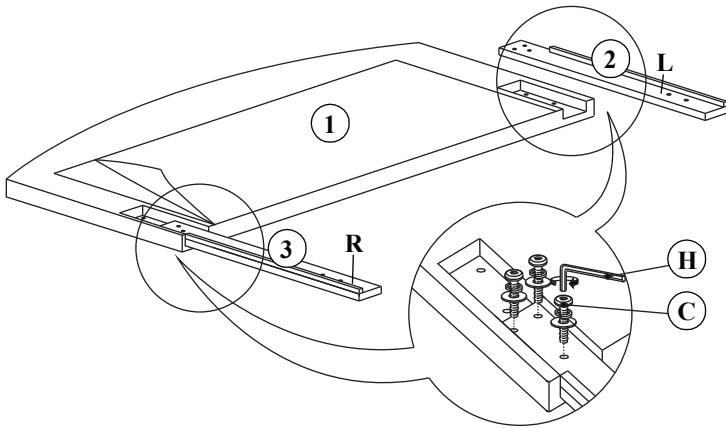
H. L-KEY
M4 x 100mm



x 1PC

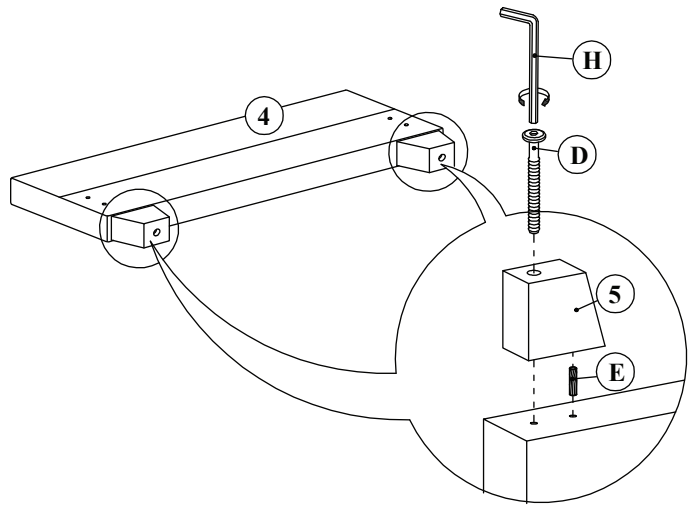
ASSEMBLY INSTRUCTION

STEP 1

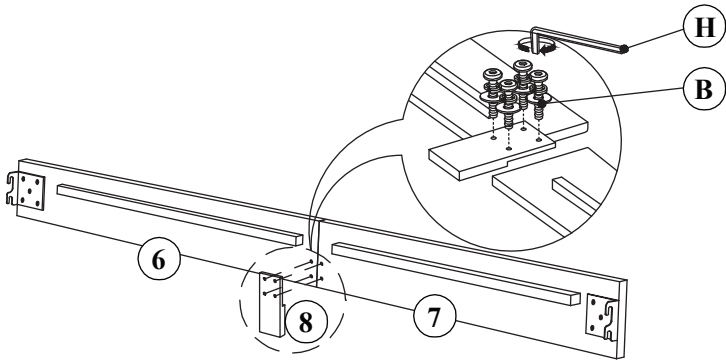


**Note : Adjustable Headboard height.
Adjust the position to fix your mattress height.**

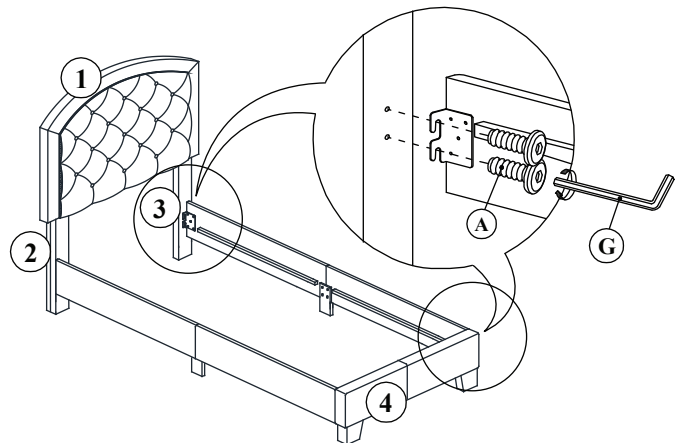
STEP 2



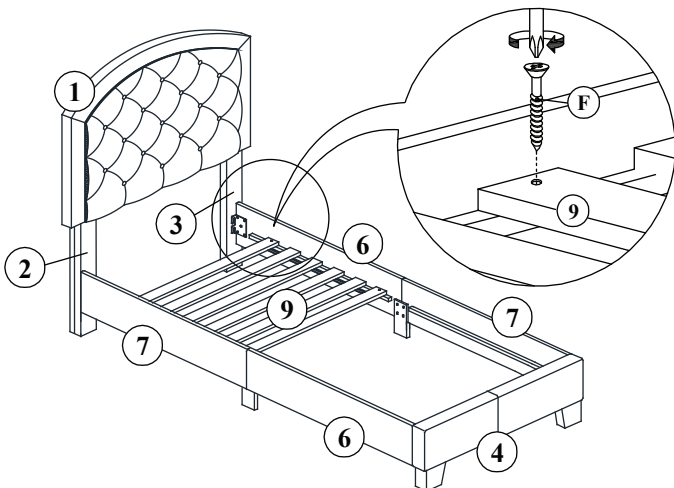
STEP 3



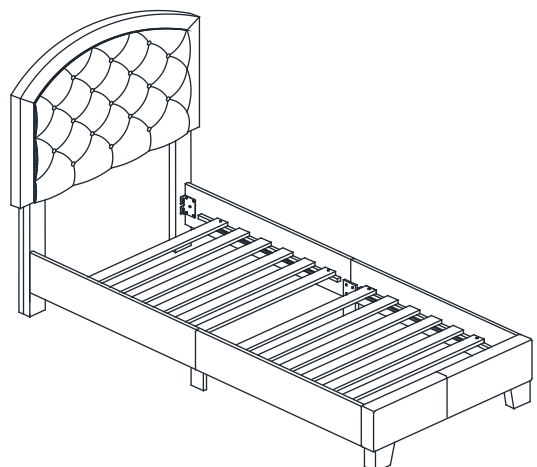
STEP 4



STEP 5



STEP 6



ASSEMBLY
COMPLETE