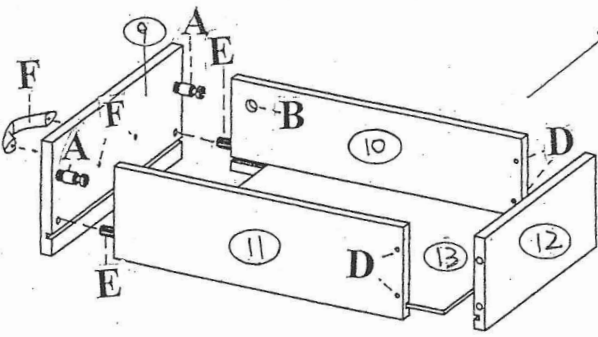
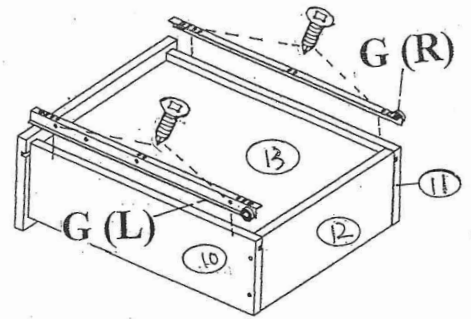
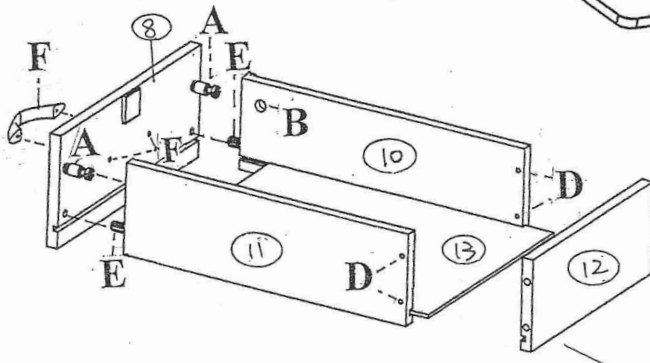
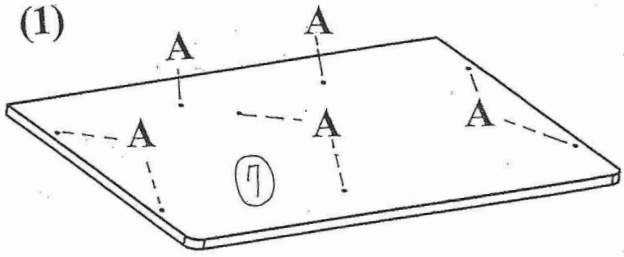
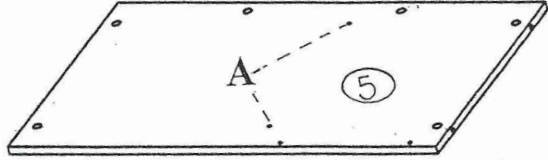
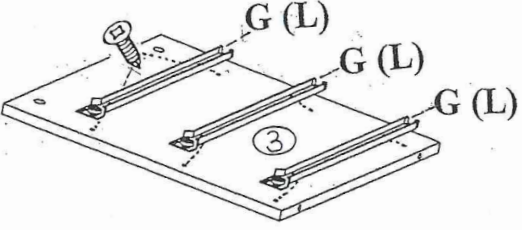
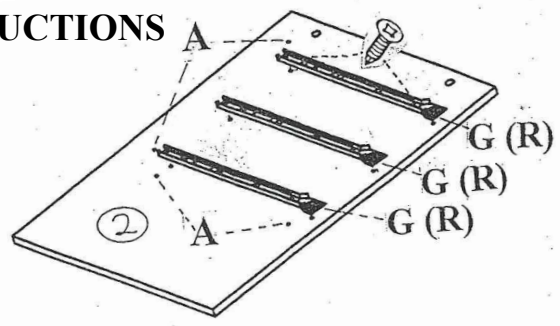
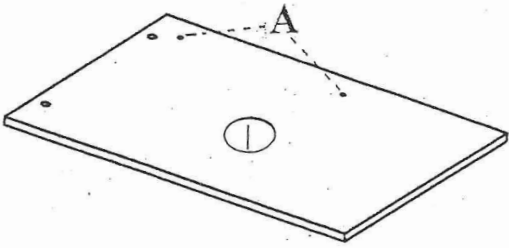
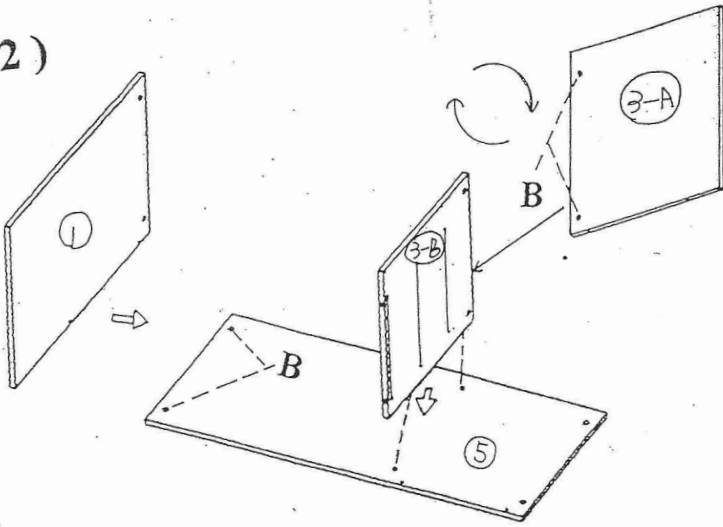


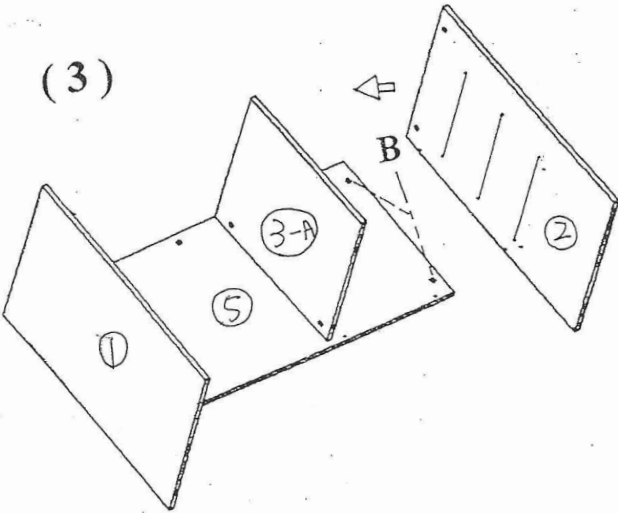
ASSEMBLY INSTRUCTIONS



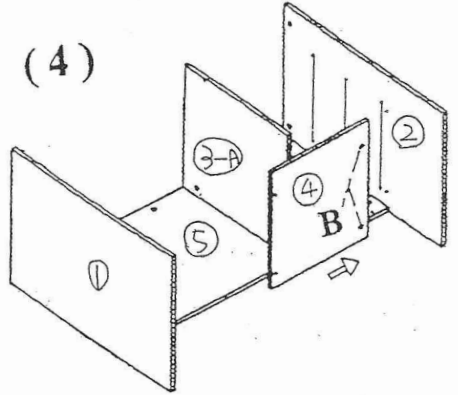
(2)



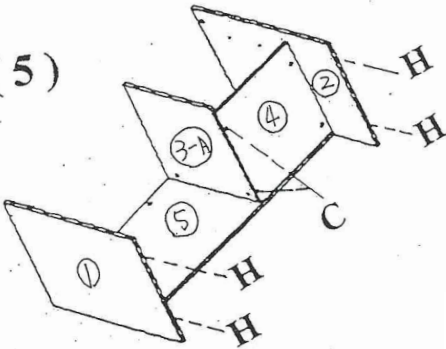
(3)



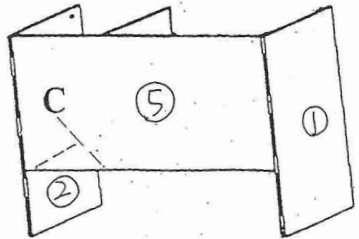
(4)

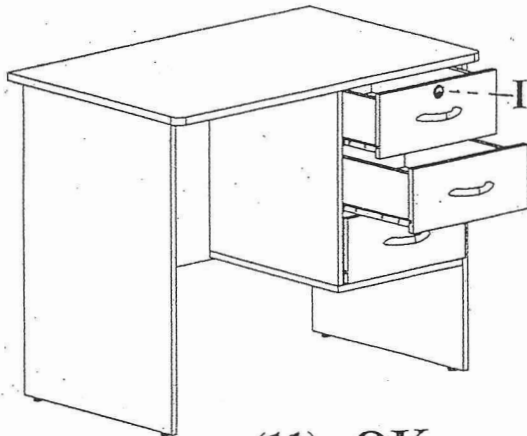
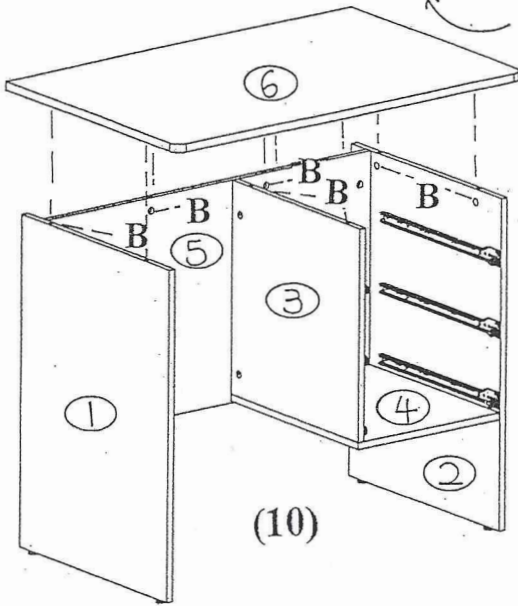
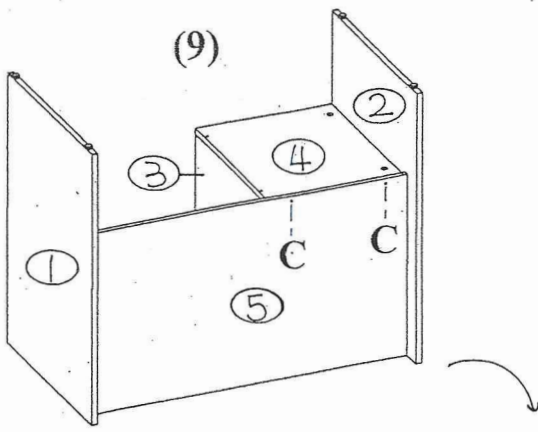


(5)

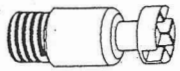

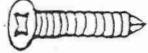




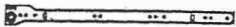





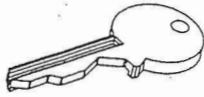


(6)





(11) OK

A	 39 m/m	22PS
B		22PS
C	 38 m/m	4PS
D	 34 m/m	12PS
E	 + GLUE 8m/m × 30m/m	6PS+1PS
F	 + 27 m/m 	3PS+6PS
G	     11 m/m	400m/m 3 PS (L) 3 PS (R) 3 PS (L) 3 PS (R) 36PS
H		4PS
I		1PS