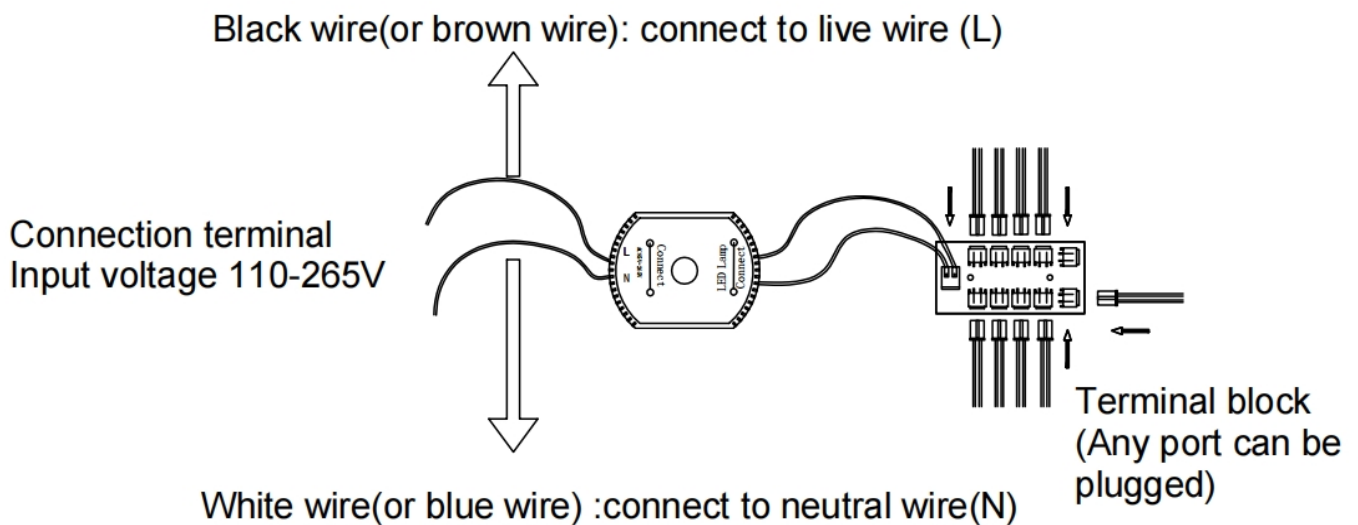
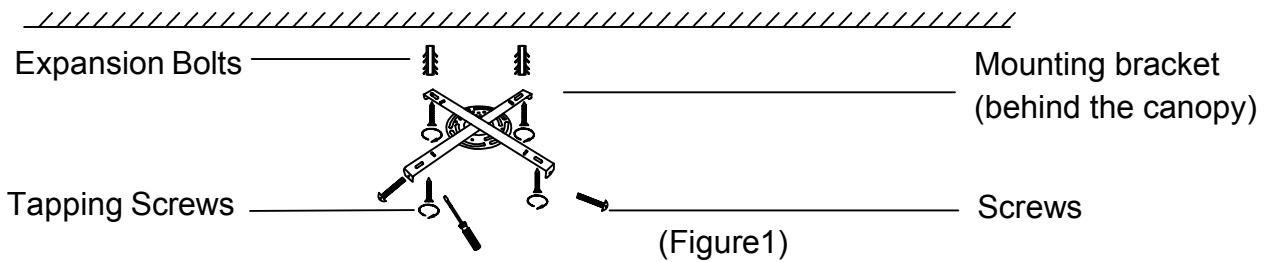
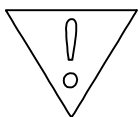


# INSTALLATION INSTRUCTION



## Installation Steps:

- 1.Install the mounting bracket.
2. Remove the protective film from the surface of the light fixture. Avoid using knives or sharp tools to prevent scratching the fixture or damaging the wire insulation.
- 3.Test circuit: Connect the power wires with a temporary wire to test if the light is working properly before installing it to the ceiling.
4. Installation:Install the lamp body to the mounting bracket, and connect the power wires with the connecting terminals.
- 5.Turn on the power and double-check; the installation is complete.

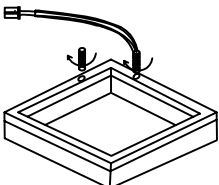
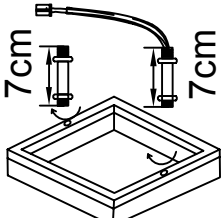
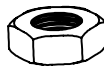
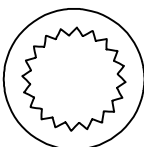




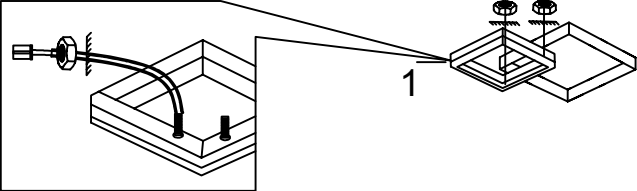
## Warning!

- 1.Installation should be performed by a professional.
- 2.This light fixture operates within a 110V to 265V range only.
- 3.Do not install the light fixture in damp conditions.
- 4.To prevent electric shock, please turn off the power before installing, repairing, or cleaning the light fixture.
- 5.Keep the light fixture away from acidic and corrosive materials.

# Notice:

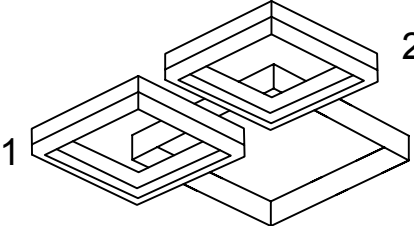
While the installation process is straightforward, it is recommended that two individuals collaborate. This ensures efficient assembly of components and optimal safety when mounting to the ceiling.

 <p><b>Square frame x4</b></p> <p>Thread the wire through the metal tube and install two tubes onto the square frame (Four frames are needed)</p>	 <p>7cm 7cm</p> <p>Thread the wire through the 7cm double-ended tube and install two tubes onto the frame</p>	 <p>nut x10</p>  <p>lock washer x10</p>	 <p>Metal tube x 8</p>  <p>7cm double-ended tube x2</p>
--	--	---	---



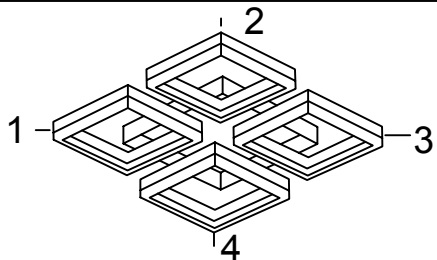
1

Secure the first frame to the canopy using metal tubes, lock washers and nuts, as shown in the picture. Ensure the tubes fit into the corresponding holes on the canopy edge.



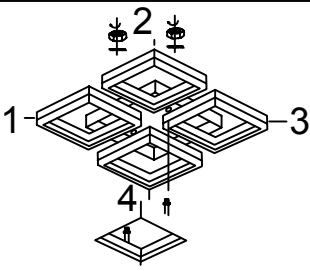
2

Secure the second frame to the canopy using metal tubes, lock washers and nuts, as shown in the picture. Ensure the tubes fit into the corresponding holes on the canopy edge.



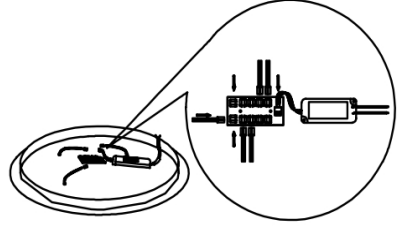
1 2 3 4

Secure the third and fourth frame to the canopy using metal tubes, lock washers and nuts, as shown in the picture. Ensure the tubes fit into the corresponding holes on the canopy edge.



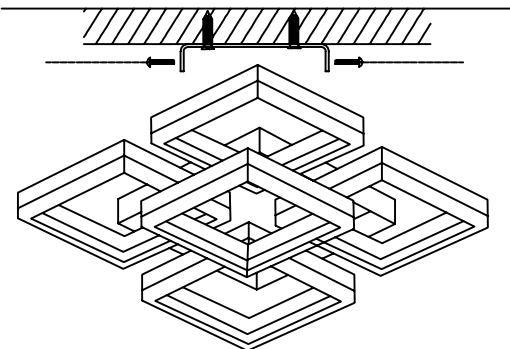
1 2 3 4

Secure the fifth frame to the canopy using 7cm tubes, lock washers and nuts, as shown in the picture. Ensure the tubes fit into the corresponding hole in the middle of the canopy.



Insert the five small plugs into the control block; any port can be plugged.

Notice:  
Black wire (or brown wire) connect to the live wire (L);  
White wire (or blue wire) connect to the neutral wire (N).



Fix the lamp body to the mounting bracket with screws on the ceiling.