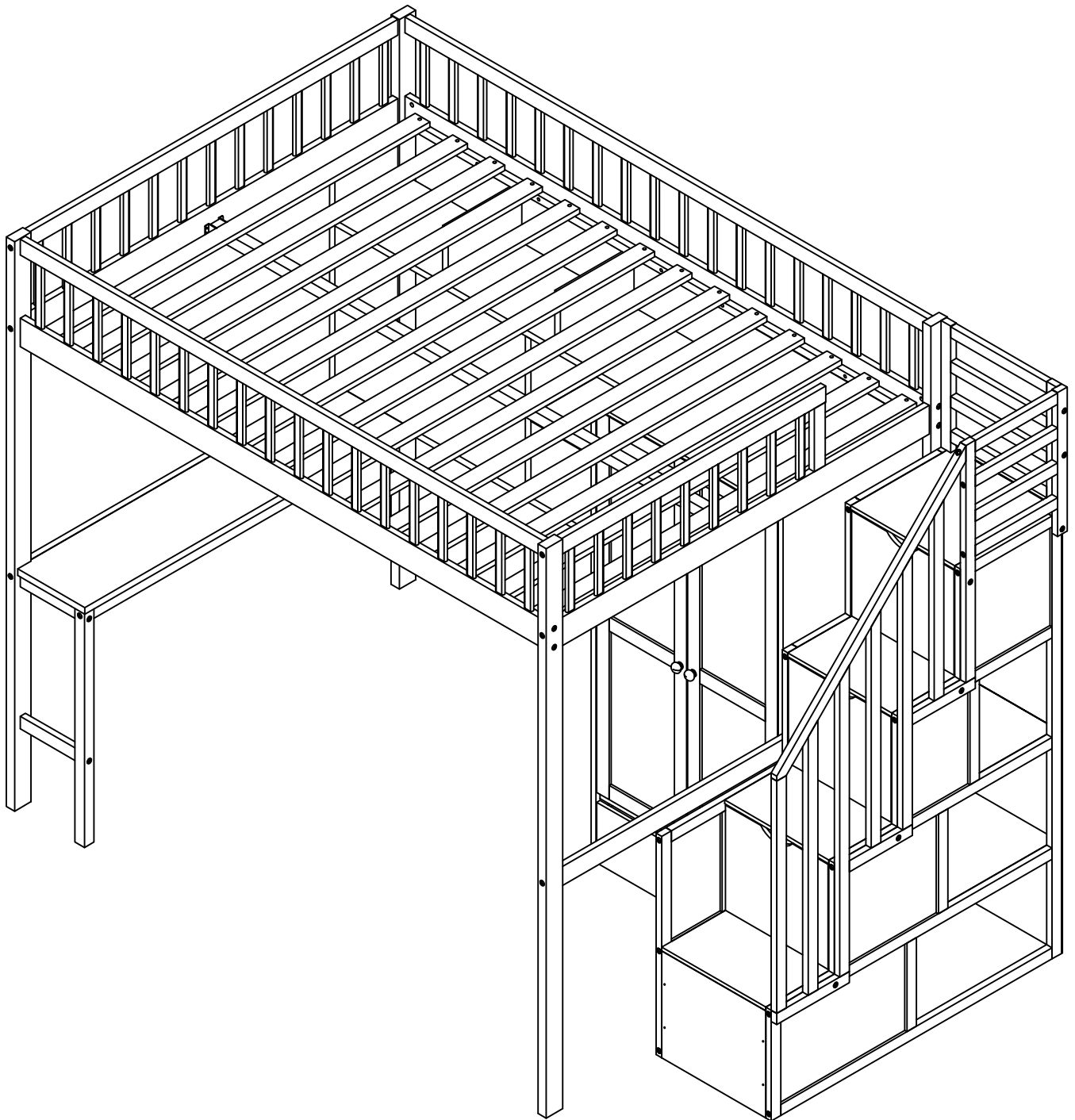


# ASSEMBLY INSTRUCTION

SKU CODE: WF297707/WF297708/WF297709





# **SAFETY WARNINGS**



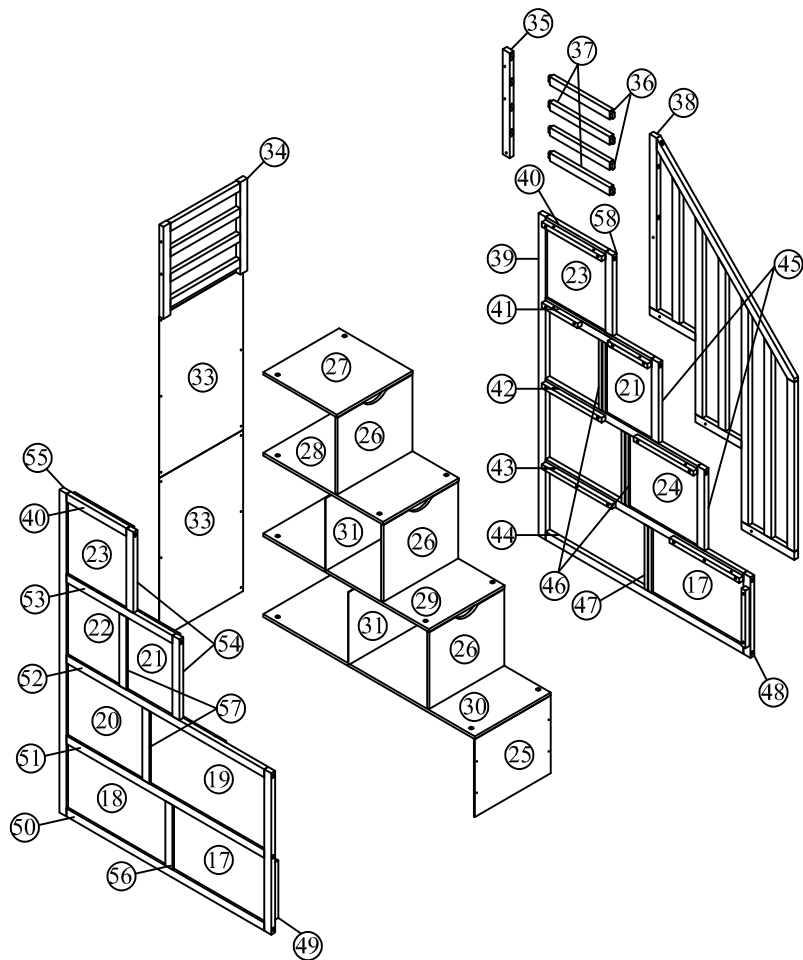
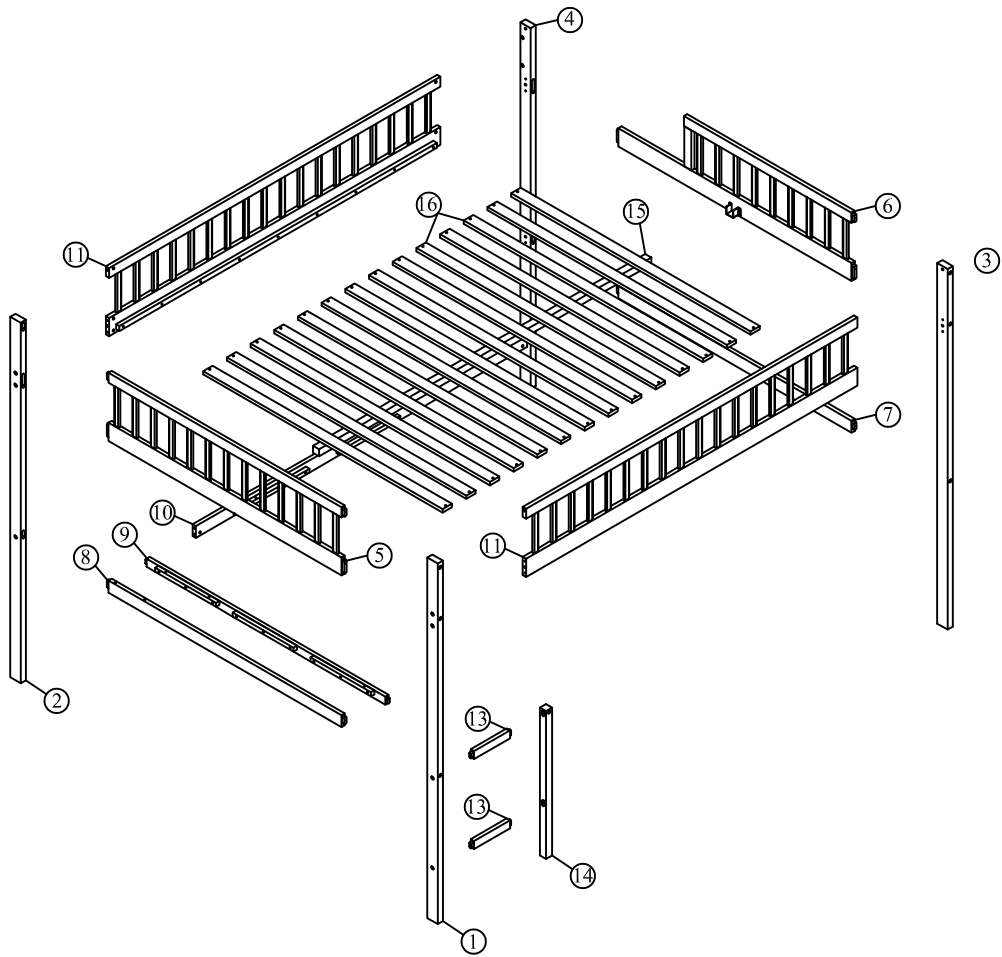
1. This bed is designed for use only mattress(es) meeting the following specifications on the upper bunk:  
*Upper bunk* (bunk bed and tribed included)

## ***Upper bed***

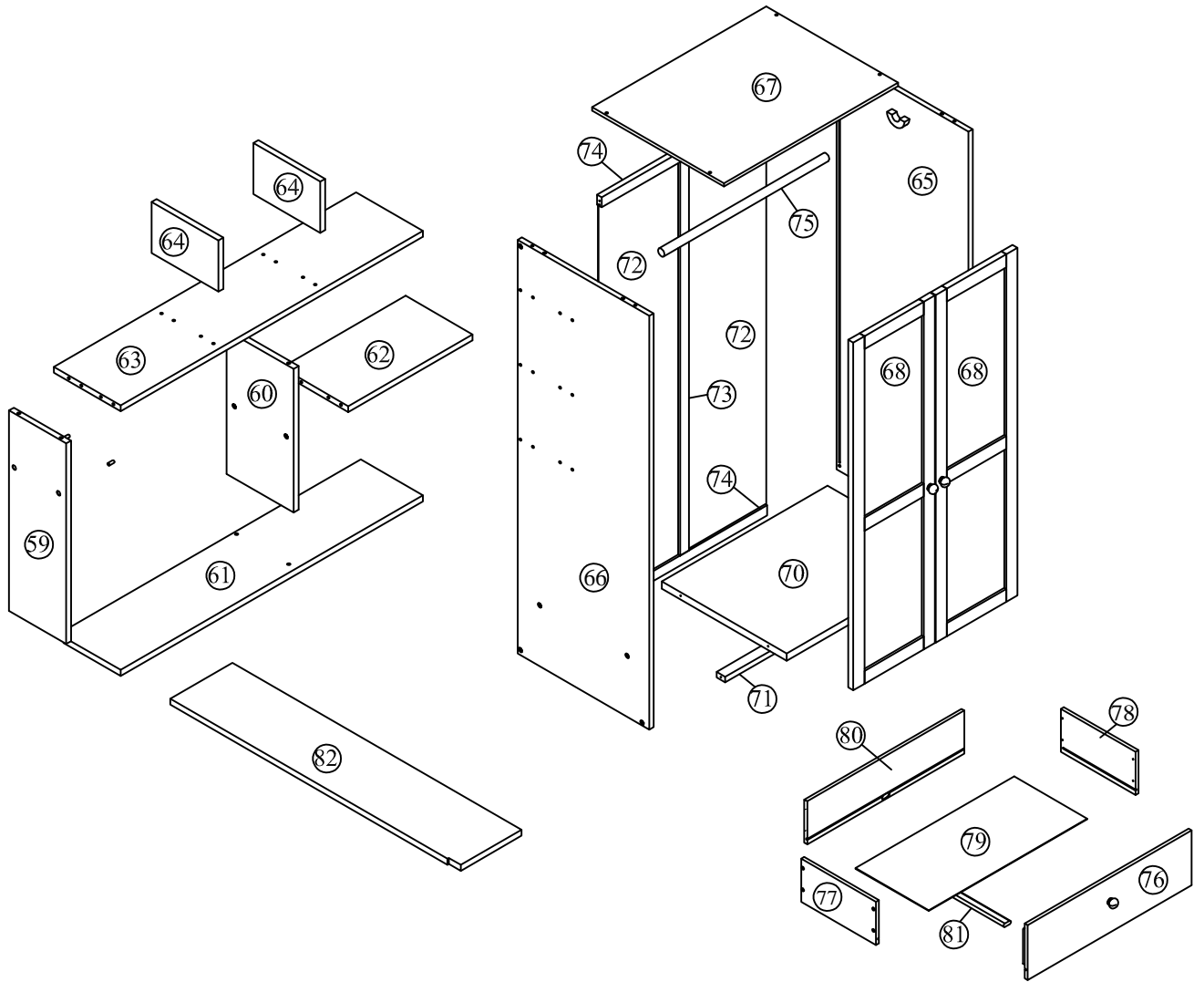
<b><i>Bed Type</i></b>	<b>Length</b>	<b>Width</b>	<b>Thickness</b>
<b><i>Full Standard</i></b>	<b>74"-75"</b>	<b>53 1/2"- 54"</b>	<b>6" max</b>

2. Replacement parts, including additional guardrails, maybe obtained from any of our (GIGACLOUDTECHNOLOGY (USA) INC. 18961 ARENTH AVENUE CITY OF INDUSTRY, CA, 91748) dealers.
3. Follow the information on the warnings appearing on the upper bunk bed end structure and on the carton. Do not remove warning label from bed.
4. Always use the recommended size mattresses or mattress supports, or both, to help prevent the likelihood of entrapment or falls.
5. Surface of the mattress must be at least 5". (127 mm) below the upper edge of guardrails.
6. Do not allow children under 6 years of age to use the upper bunk.
7. Periodically check and ensure that the guardrail, ladder, and other components are in their proper position, free from damage, and that all connectors are tight.
8. Do not allow horseplay on or under the bed and prohibit jumping on the bed
9. Always use the ladder for entering and leaving the upper bunk.
10. Do not use substitute parts. Contact the manufacturer or dealer for replacement parts.
11. Use of a night light may provided added safety precaution for a child using the upper bunk.
12. Always use guardrails on both long sides of the upper bunk. If the bunk bed will be placed next to the wall, the guardrail that runs the full length of the bed should be placed against the wall to prevent entrapment between the bed and wall.
13. The use of water or sleep flotation mattresses is prohibited.
14. STRANGULATION HAZARD - Never attach or hang items to any part of the bunk bed that are not designed for use with the bed; for example, but not limited to, hook, belts and jump ropes.
15. Keep these instructions for future reference
16. Prohibit more than one person on upper bunk.
17. We recommend assembling your bunk bed on the shipping carton to protect your floor or carpet.
18. Be certain all staples are out of the box before beginning assembly on the shipping carton.

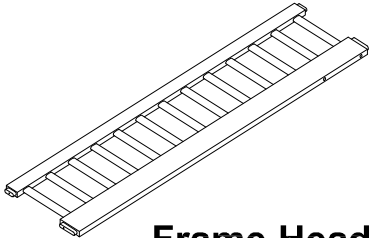
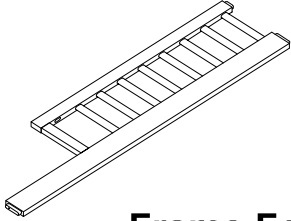
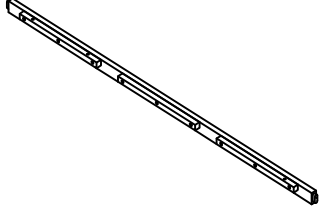
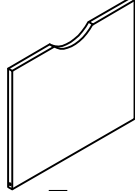
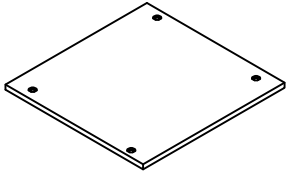
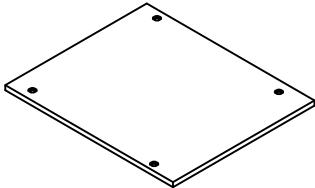
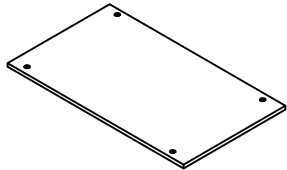
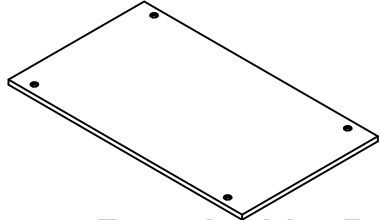
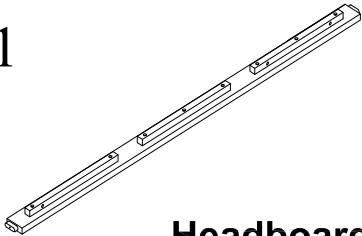
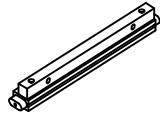
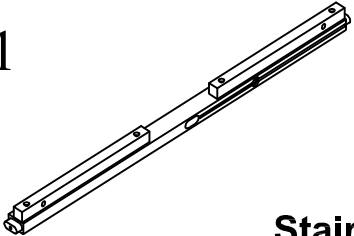
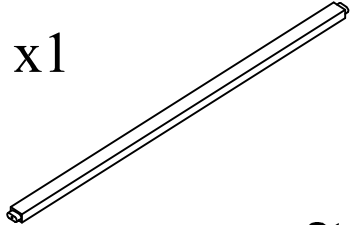
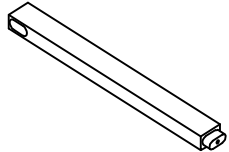
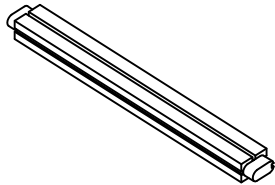
Detail:



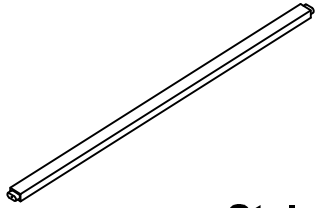
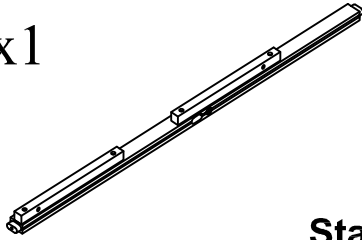
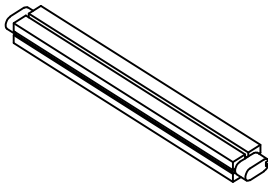
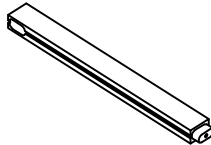
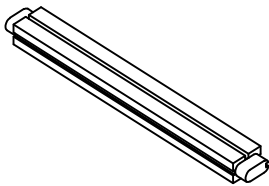
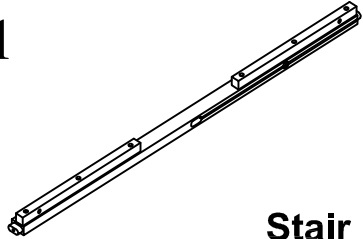
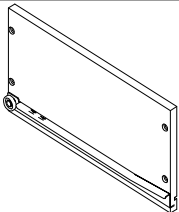
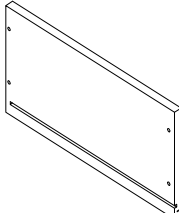
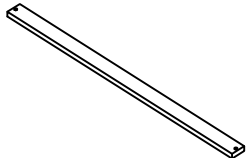

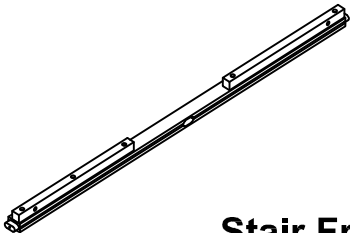
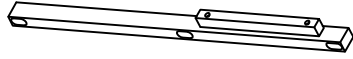
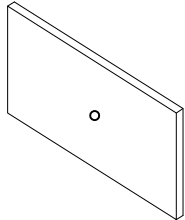
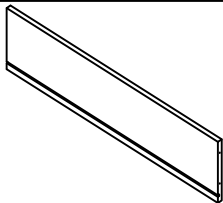
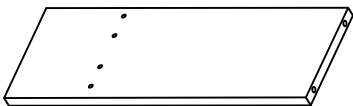
Detail:



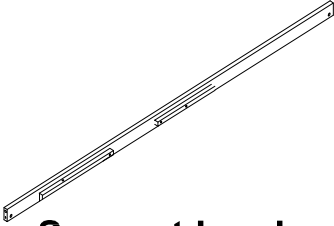
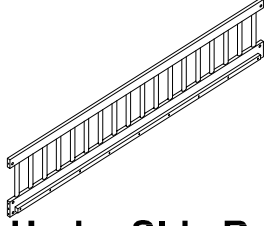
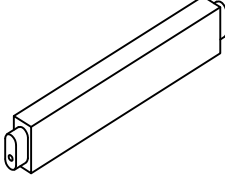
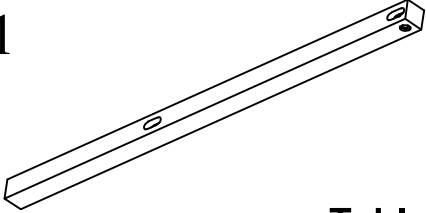
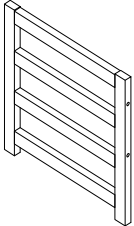
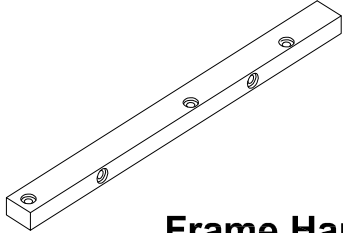
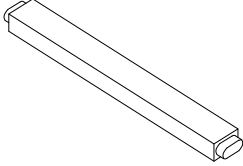
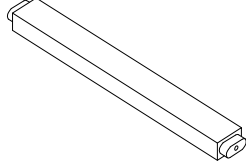
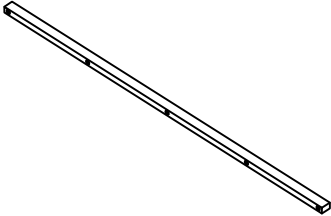
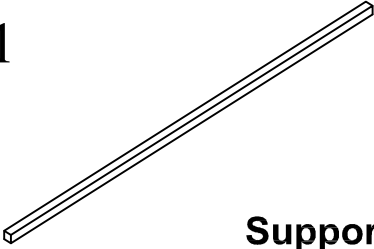
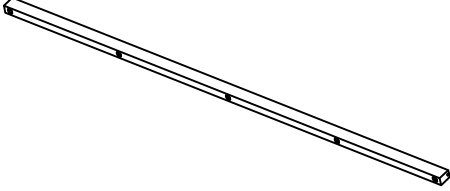
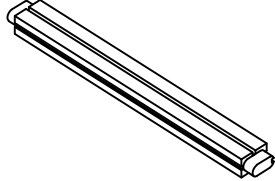
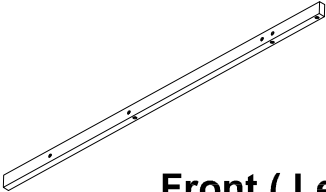
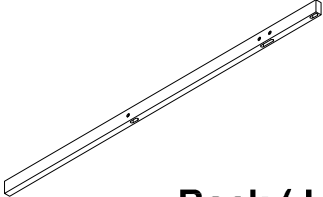
## Part List ( WF297707 )

<p>⑤ x1</p>  <p><b>Frame Headboard</b></p>	<p>⑥ x1</p>  <p><b>Frame Footboard</b></p>
<p>⑨ x1</p>  <p><b>Horizontal Bar Under Table</b></p>	<p>⑳ x3</p>  <p><b>Front Ladder Post</b></p>
<p>㉓ x1</p>  <p><b>Front Ladder Post 1</b></p>	<p>㉔ x1</p>  <p><b>Front Ladder Post 2</b></p>
<p>㉖ x1</p>  <p><b>Front Ladder Post 3</b></p>	<p>㉗ x1</p>  <p><b>Front Ladder Post 4</b></p>
<p>⑧ x1</p>  <p><b>Headboard Guard</b></p>	<p>㉚ x2</p>  <p><b>Stair Frame</b></p>
<p>㉛ x1</p>  <p><b>Stair Frame</b></p>	<p>㉜ x1</p>  <p><b>Stair Frame</b></p>
<p>㉝ x2</p>  <p><b>Newel post</b></p>	<p>㉞ x2</p>  <p><b>Stair Frame</b></p>

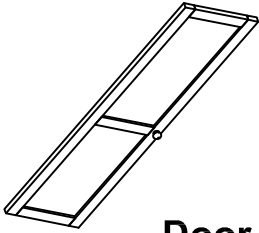
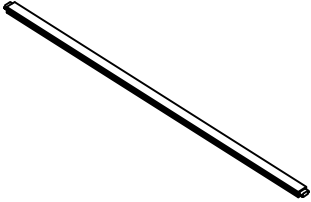
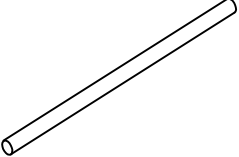
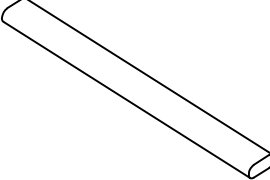
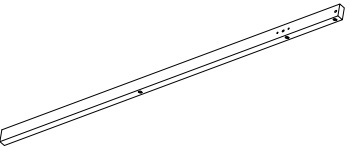
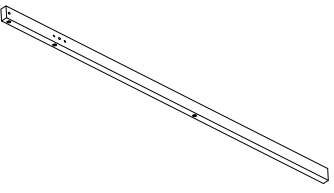
## Part List ( WF297707 )

<p>⑤0 x1</p>  <p style="text-align: center;"><b>Stair Frame</b></p>	<p>⑤2 x1</p>  <p style="text-align: center;"><b>Stair Frame</b></p>
<p>⑤7 x2</p>  <p style="text-align: center;"><b>Stair Frame</b></p>	<p>⑤8 x1</p>  <p style="text-align: center;"><b>Stair Frame</b></p>
<p>⑤6 x1</p>  <p style="text-align: center;"><b>Stair Frame</b></p>	<p>④3 x1</p>  <p style="text-align: center;"><b>Stair Frame</b></p>
<p>⑦8 x1</p>  <p style="text-align: center;"><b>Right Side Drawer</b></p>	<p>⑦7 x1</p>  <p style="text-align: center;"><b>Left Side Drawer</b></p>
<p>①6 x14</p>  <p style="text-align: center;"><b>Slats</b></p>	<p>⑦ x1</p>  <p style="text-align: center;"><b>Footboard Guard</b></p>
<p>⑤1 x1</p>  <p style="text-align: center;"><b>Stair Frame</b></p>	<p>④9 x1</p>  <p style="text-align: center;"><b>Stair Frame</b></p>
<p>⑦6 x1</p>  <p style="text-align: center;"><b>Front Drawer</b></p>	<p>⑧0 x1</p>  <p style="text-align: center;"><b>Back Drawer</b></p>
<p>⑤9 x1</p>  <p style="text-align: center;"><b>Top Short Table</b></p>	

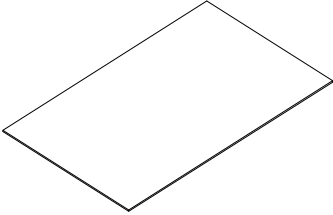
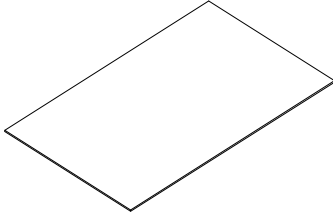
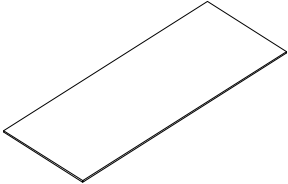
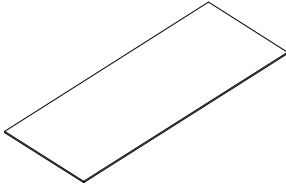
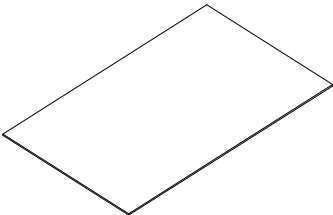
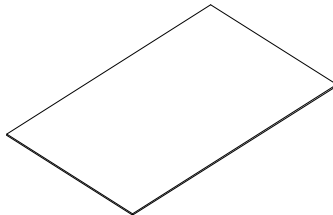
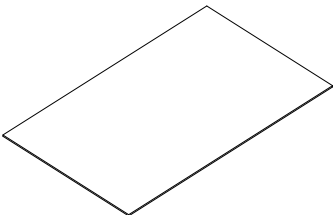
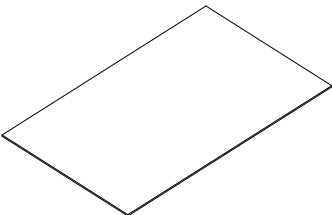
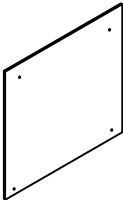
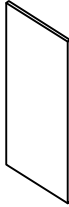
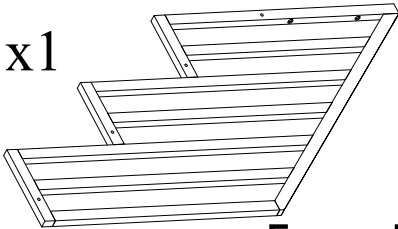
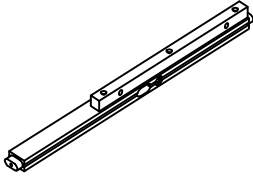
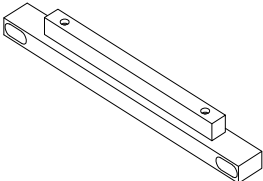
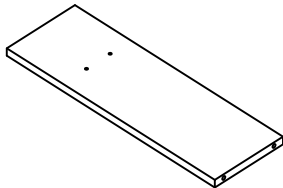
## Part List (WF297708)

<p>⑩ x1</p>  <p><b>Support Leg Long Table</b></p>	<p>⑪ x2</p>  <p><b>Frame Under Side Rail</b></p>
<p>⑬ x2</p>  <p><b>Support Leg Table</b></p>	<p>⑭ x1</p>  <p><b>Table leg</b></p>
<p>⑳ x1</p>  <p><b>Frame Back Stair</b></p>	<p>㉑ x1</p>  <p><b>Frame Handrail</b></p>
<p>㉒ x2</p>  <p><b>Frame Handrails</b></p>	<p>㉓ x2</p>  <p><b>Frame Handrails</b></p>
<p>㉔ x1</p>  <p><b>Newel post</b></p>	<p>⑮ x1</p>  <p><b>Support Slat</b></p>
<p>㉕ x1</p>  <p><b>Newel post</b></p>	<p>㉖ x1</p>  <p><b>Stair Frame</b></p>
<p>① x1</p>  <p><b>Front ( Left ) Leg</b></p>	<p>② x1</p>  <p><b>Back ( Left ) Leg</b></p>

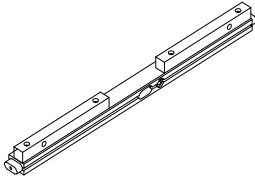
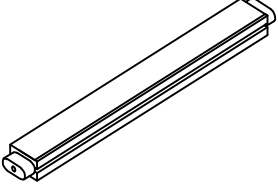

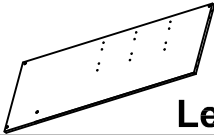
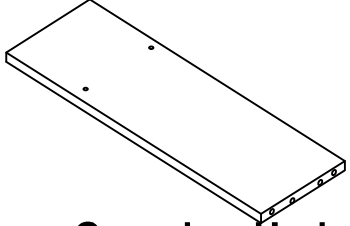

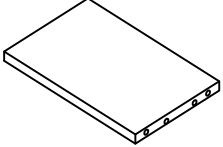
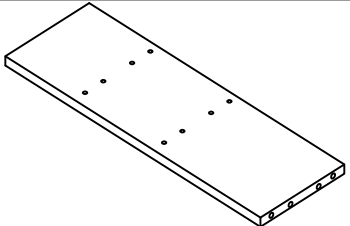
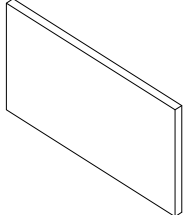
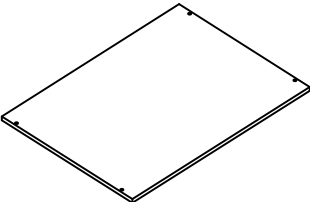
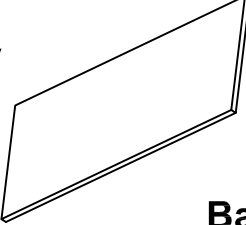
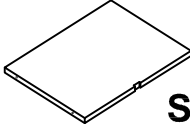
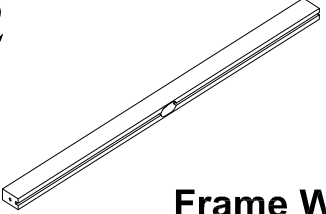

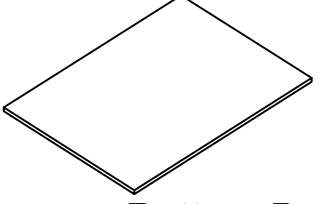
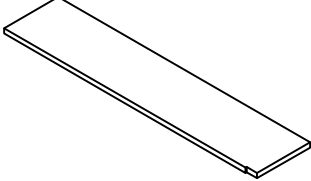
## Part List (WF297708)

<p>⑥8 x2</p>  <p><b>Door Wardrobe</b></p>	<p>⑦3 x1</p>  <p><b>Frame Wardrobe</b></p>
<p>⑦5 x1</p>  <p><b>Clothes Pole</b></p>	<p>⑧1 x1</p>  <p><b>Support Drawer</b></p>
<p>③ x1</p>  <p><b>Front ( Right) Leg</b></p>	<p>④ x1</p>  <p><b>Back ( Right ) Leg</b></p>

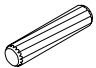
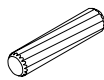

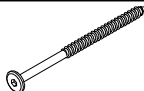

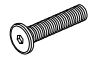


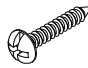



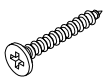

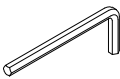


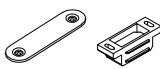
## Part List (WF297709)

<p>①7 x2</p>  <p><b>Side Ladder Post 4</b></p>	<p>①8 x1</p>  <p><b>Side Ladder Post 4</b></p>
<p>①9 x1</p>  <p><b>Side Ladder Post 3</b></p>	<p>②0 x1</p>  <p><b>Side Ladder Post 3</b></p>
<p>②1 x2</p>  <p><b>Side Ladder Post 2</b></p>	<p>②2 x1</p>  <p><b>Side Ladder Post 2</b></p>
<p>②3 x2</p>  <p><b>Side Ladder Post 1</b></p>	<p>②4 x1</p>  <p><b>Side Ladder Post 3</b></p>
<p>②5 x1</p>  <p><b>Panel Front Ladder Post</b></p>	<p>③3 x2</p>  <p><b>Back Panel Stair</b></p>
<p>③8 x1</p>  <p><b>Frame Handrail</b></p>	<p>④1 x1</p>  <p><b>Stair Frame</b></p>
<p>④8 x1</p>  <p><b>Stair Frame</b></p>	<p>⑥0 x1</p>  <p><b>Stand Long Table</b></p>

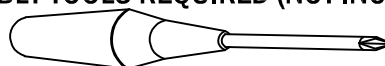
## Part List (WF297709)

<p>⑤③ x1</p>  <p style="text-align: center;"><b>Stair Frame</b></p>	<p>⑤④ x2</p>  <p style="text-align: center;"><b>Stair Frame</b></p>
<p>③① x2</p>  <p style="text-align: center;"><b>End Panel Stair Post 2 &amp; 3</b></p>	<p>⑥⑥ x1</p>  <p style="text-align: center;"><b>Left Wardrobe</b></p>
<p>⑥① x1</p>  <p style="text-align: center;"><b>Crossbar Under Table</b></p>	<p>⑥⑤ x1</p>  <p style="text-align: center;"><b>Right Wardrobe</b></p>
<p>⑥② x1</p>  <p style="text-align: center;"><b>Crossbar Short Table</b></p>	<p>⑥③ x1</p>  <p style="text-align: center;"><b>Crossbar Upon Table</b></p>
<p>⑥④ x2</p>  <p style="text-align: center;"><b>Stand Short Table</b></p>	<p>⑥⑦ x1</p>  <p style="text-align: center;"><b>Top Wardrobe</b></p>
<p>⑦② x2</p>  <p style="text-align: center;"><b>Back Wardrobe</b></p>	<p>⑦⑦ x1</p>  <p style="text-align: center;"><b>Shelf Wardrobe</b></p>
<p>⑦④ x2</p>  <p style="text-align: center;"><b>Frame Wardrobe</b></p>	<p>⑦① x1</p>  <p style="text-align: center;"><b>Frame Wardrobe</b></p>
<p>⑦⑨ x1</p>  <p style="text-align: center;"><b>Bottom Drawer</b></p>	<p>⑧② x1</p>  <p style="text-align: center;"><b>Top short table</b></p>

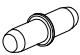

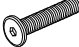
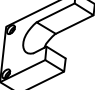
## Hardware List (WF297708)

No.	OUTLOOK	DESC	QTY
A		Dowel Ø10*30mm	26
B		Dowel Ø10*40mm	04
C		Screws Ø6.5*50mm	35
D		Screws Ø6.5*70mm	11
E		Bolts 1/4"*70mm	14
F		Bolts 1/4"*30mm	44
G		Cross dowel 1/4"*13mm	14
H		Screws #6*12mm	24
I		Round head screw #8*20mm	16
J		Flat head screw #8*25mm	41
K		Screws #7*15mm	56
L		Screws Ø6.5*30mm	06
M		Flat head screw #8*15mm	08
N		Base L	02
O		Allen key 60*22*4mm	01
P		Handle	03
Q		Door Hinge	06
T		Inhaler Magnet	10

**ASSEMBLY TOOLS REQUIRED (NOT INCLUDED)**



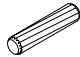


## Hardware List (WF297708)

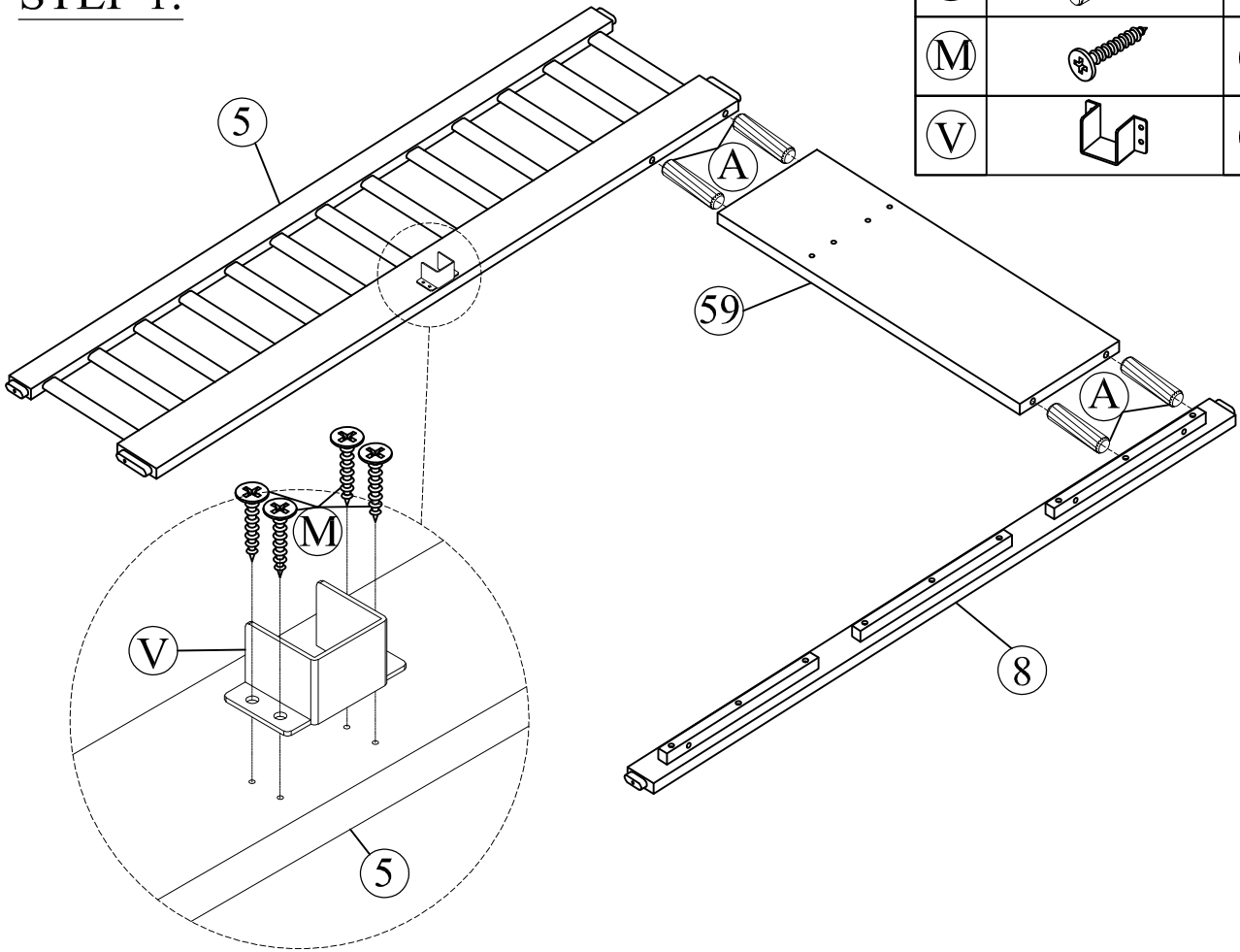
No.	OUTLOOK	DESC	QTY
(U)		Iron round pin Ø5*20mm	06
(V)		Metal base	02
(W)		Bolts 1/4"*25mm	16
(32)		<b>Support Clothes Pole</b>	02

**ASSEMBLY TOOLS REQUIRED (NOT INCLUDED)**

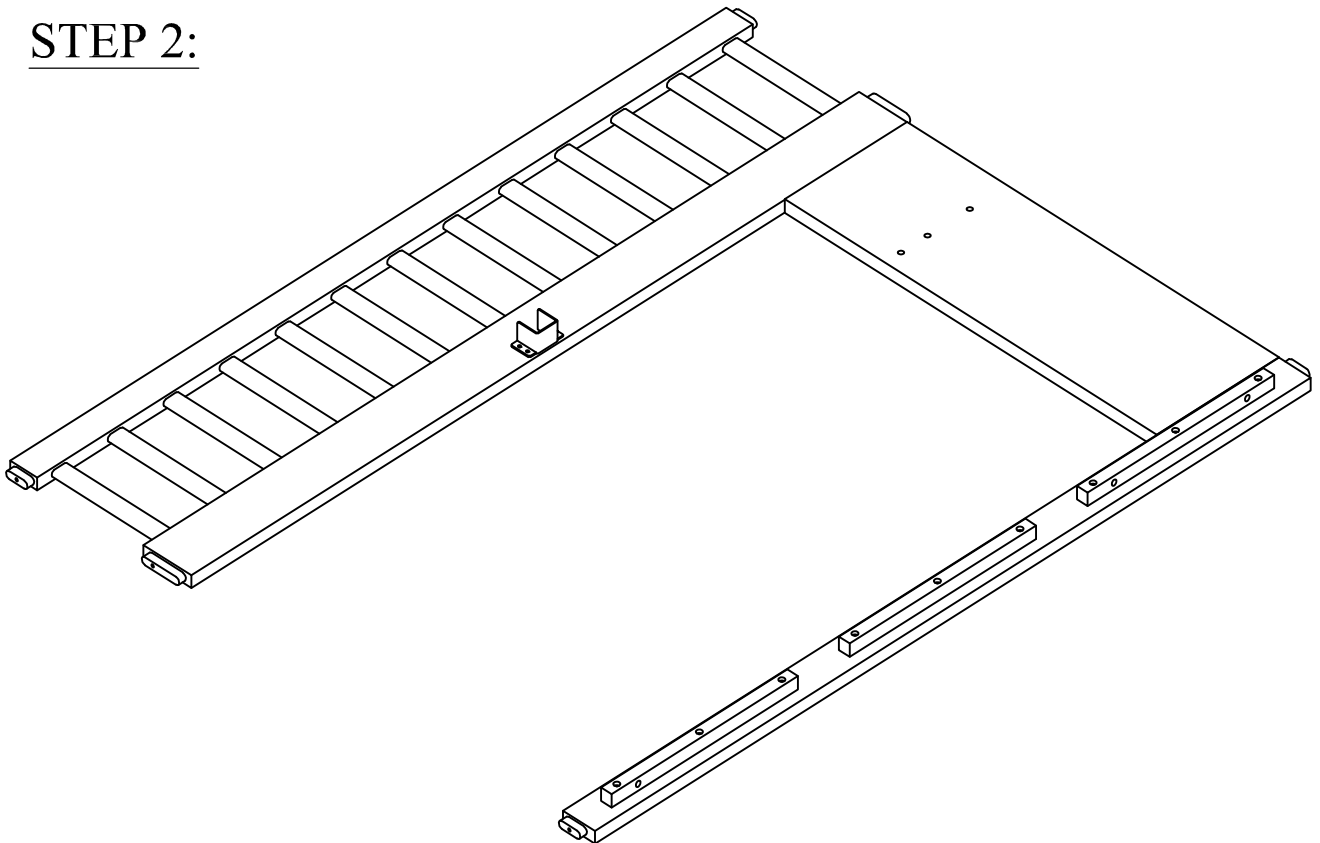


**STEP 1:**

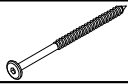

(A)		04
(M)		04
(V)		01

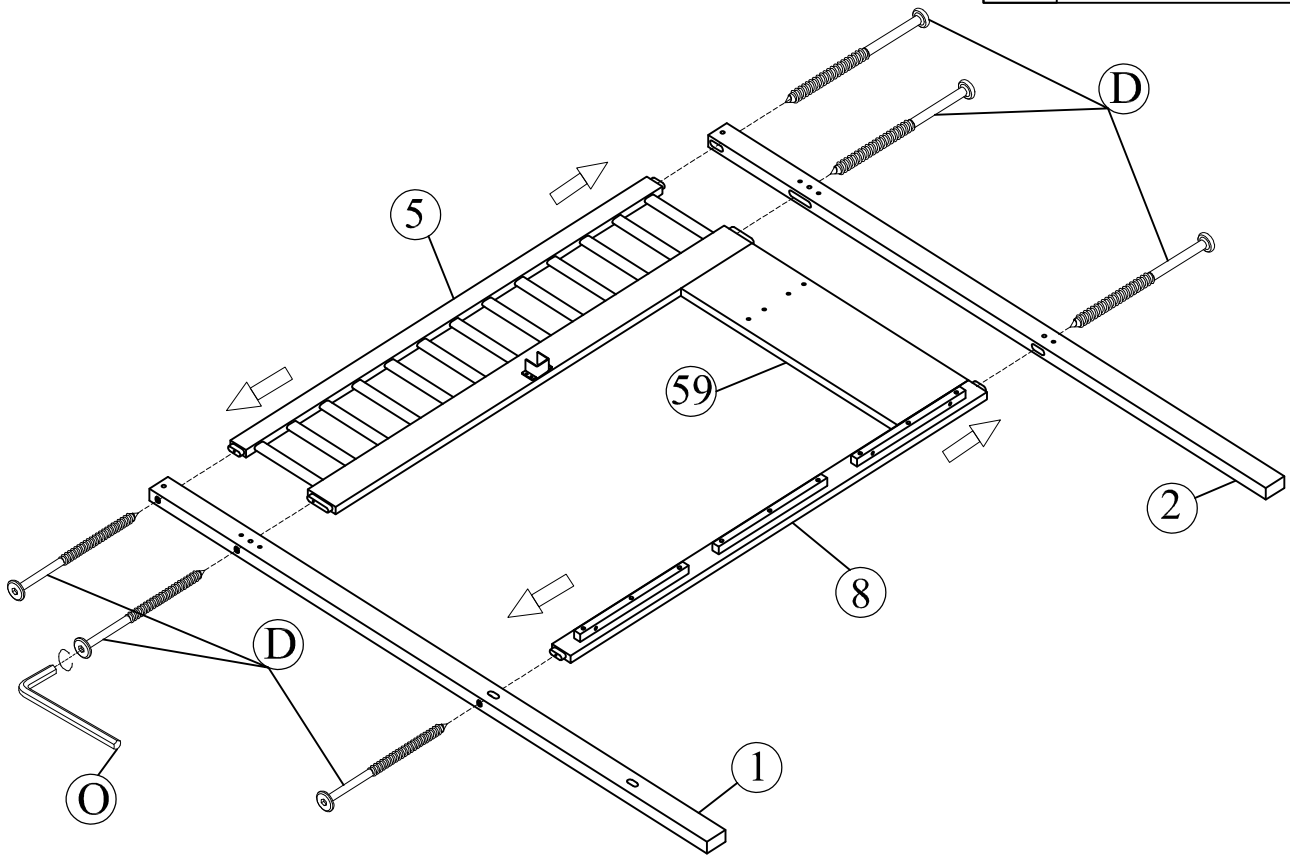


**STEP 2:**

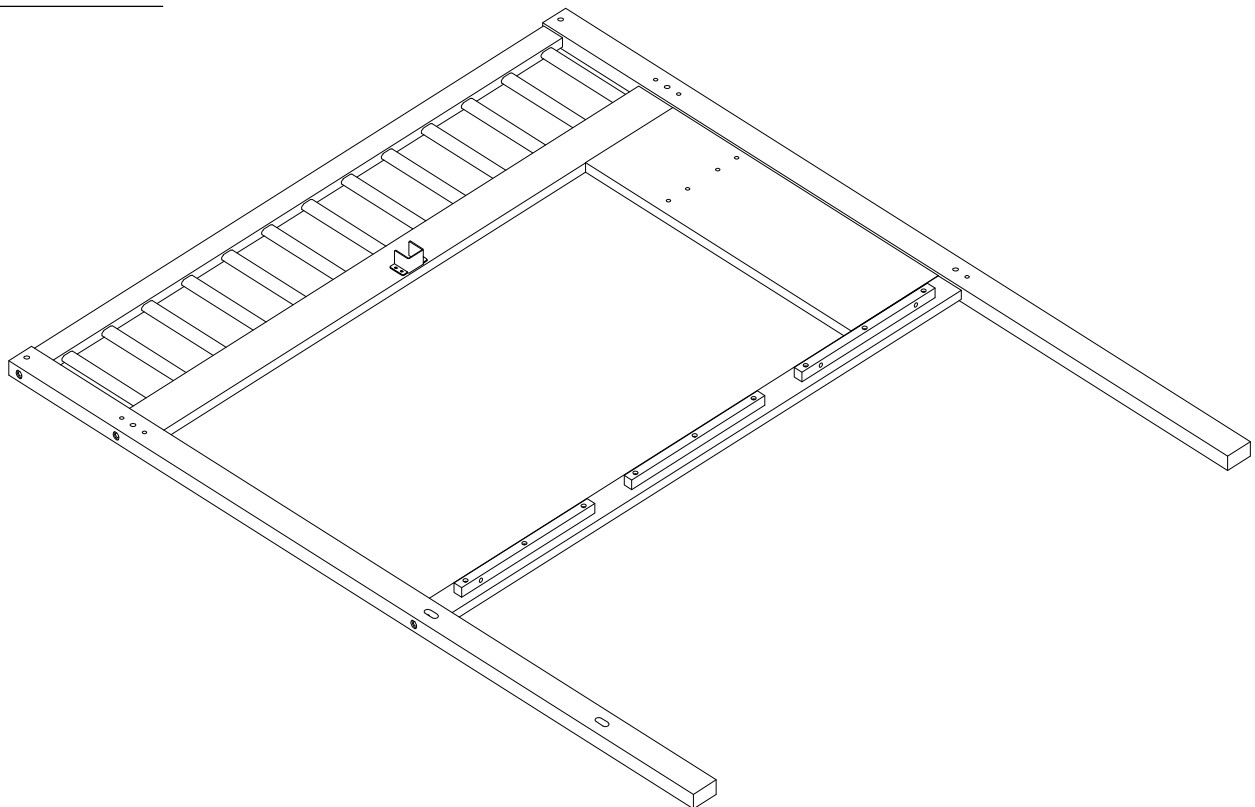


**STEP 3:**

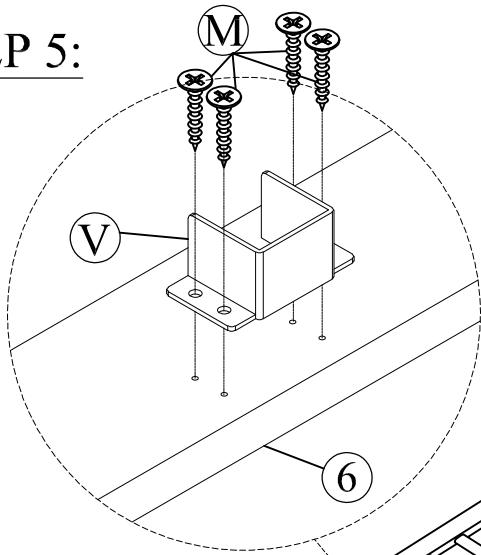
(D)		06
(O)		01



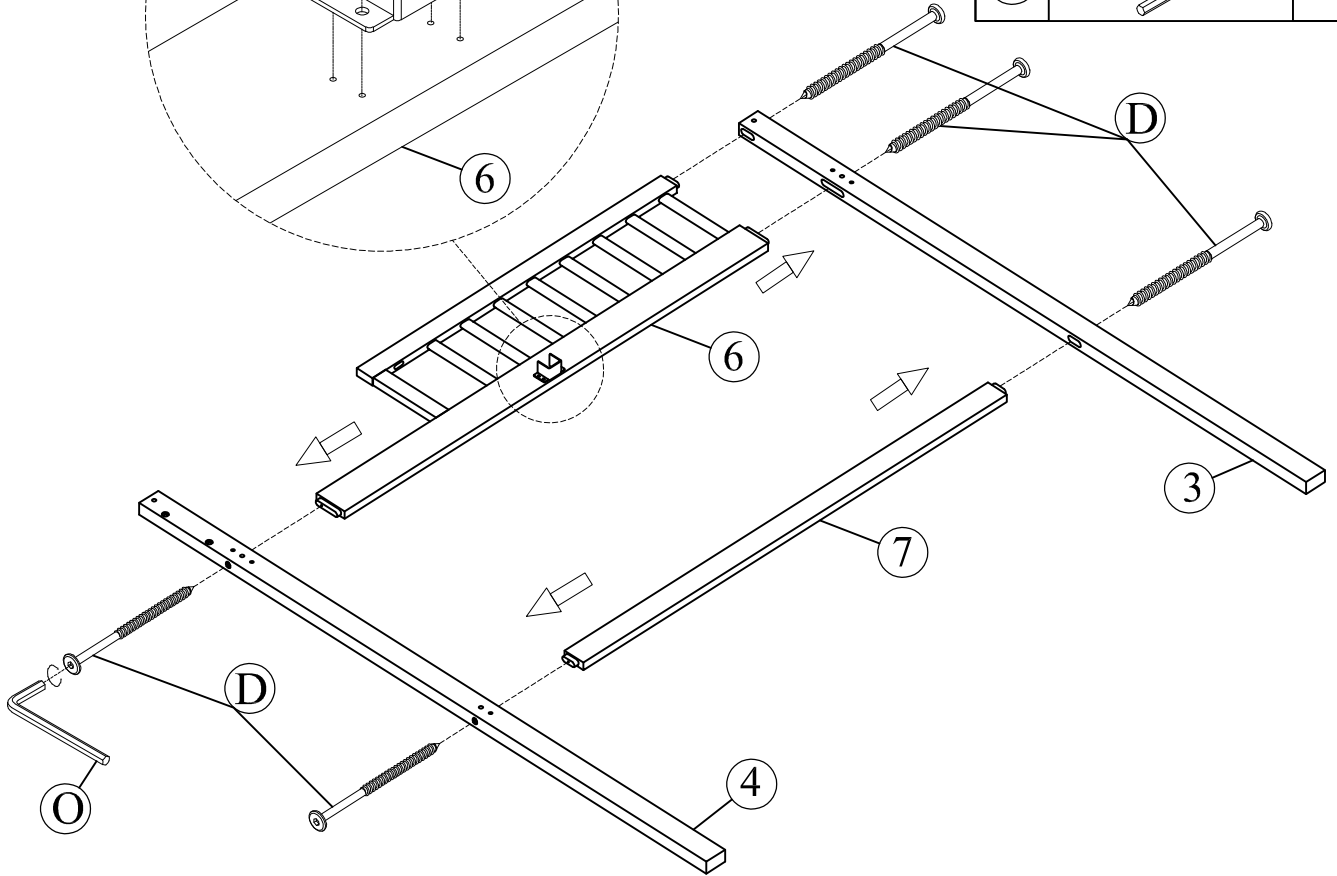
**STEP 4:**



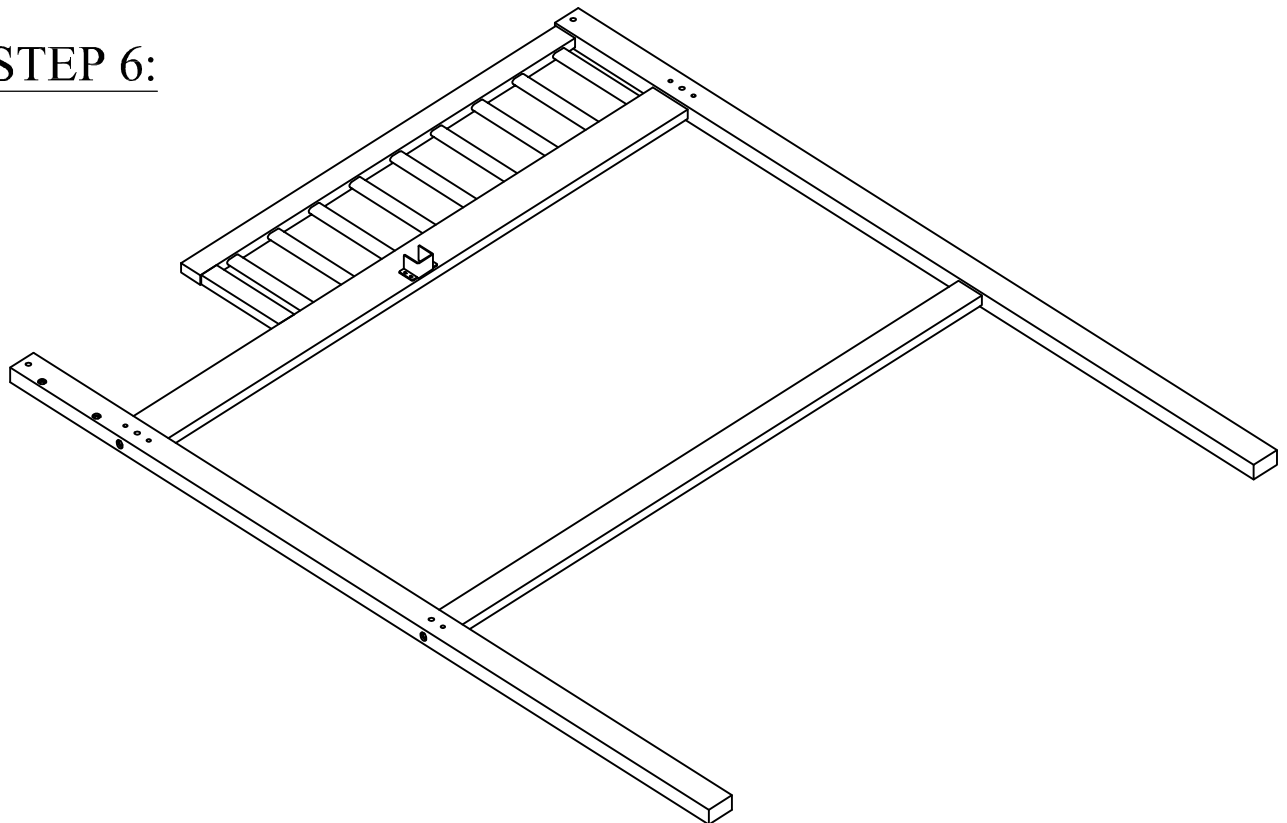
**STEP 5:**



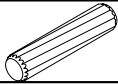
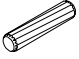
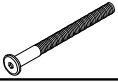

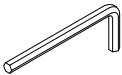
(D)		05
(M)		04
(V)		01
(O)		01

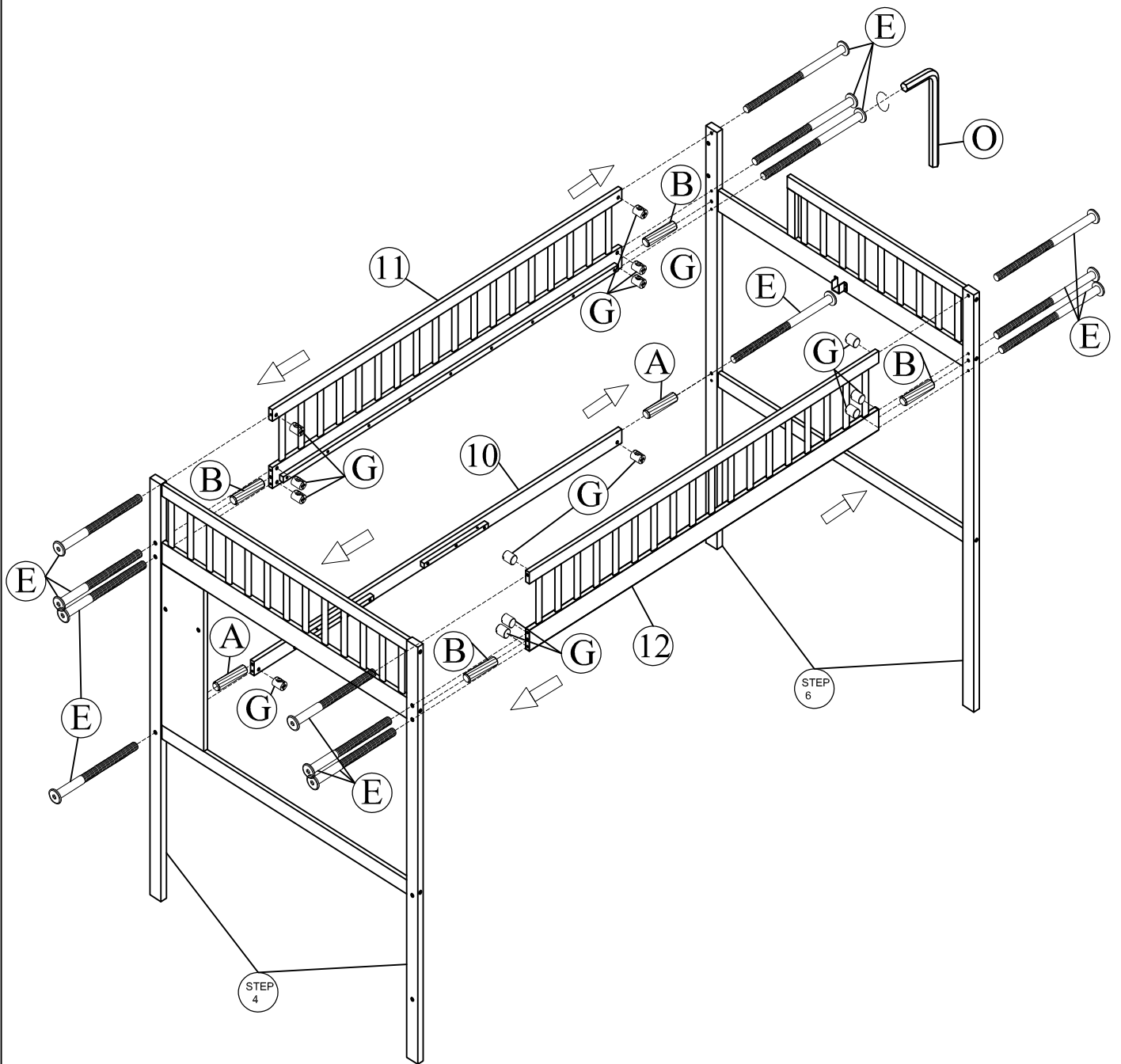


**STEP 6:**

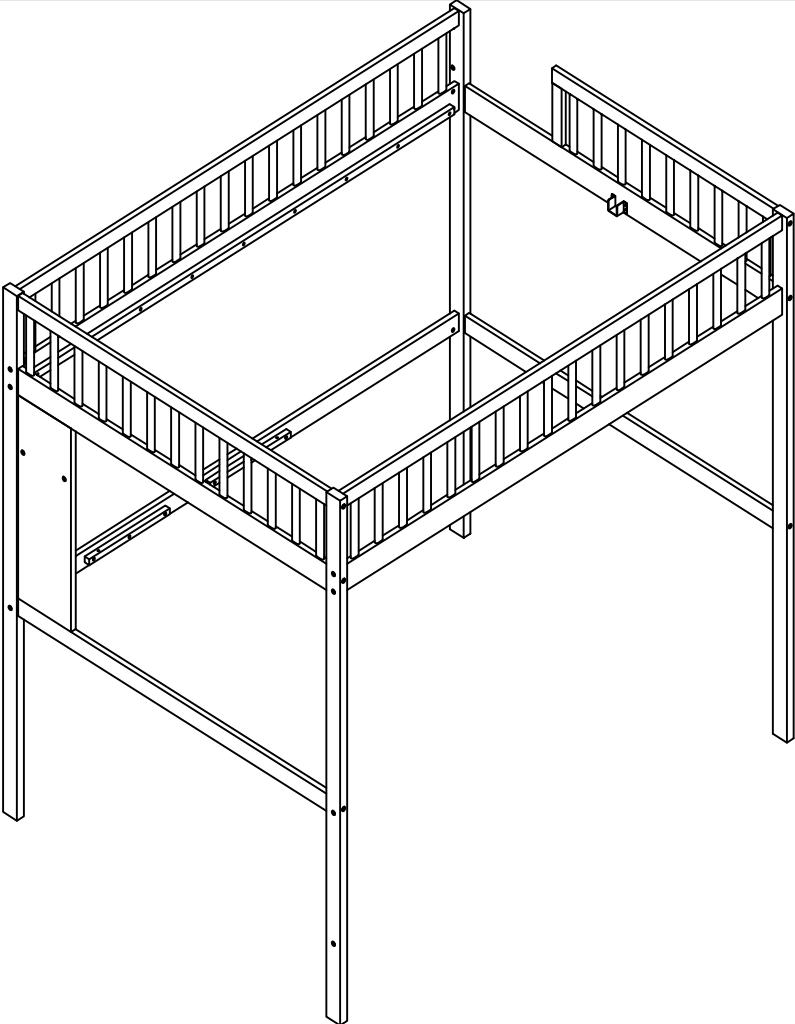


# STEP 7:

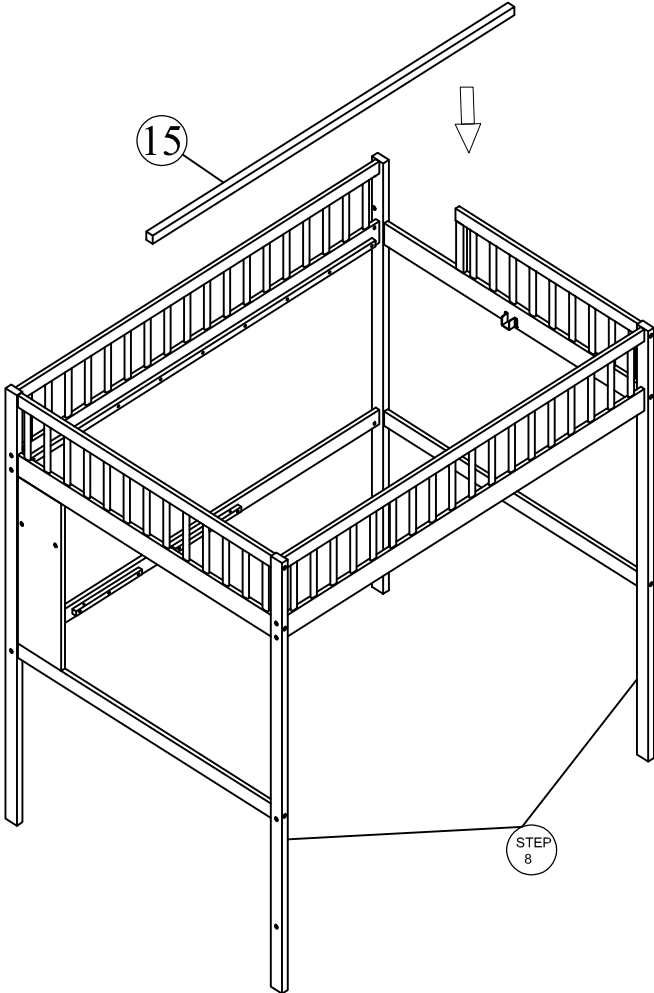
(B)		04
(A)		02
(E)		14
(G)		14
(O)		01



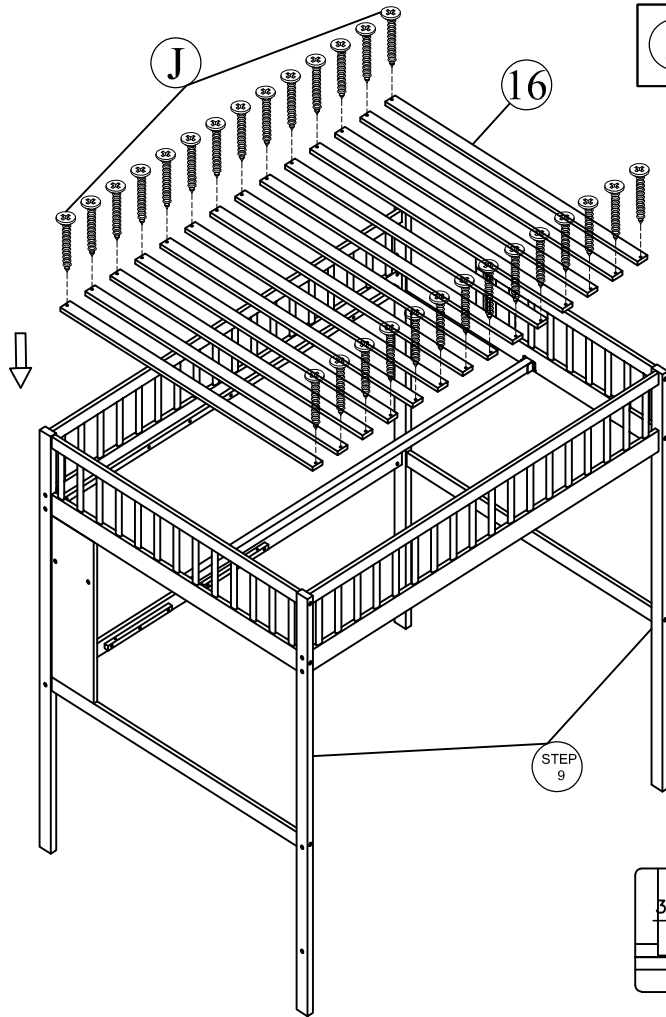
STEP 8:

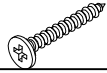


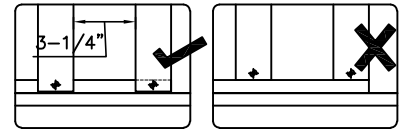
STEP 9:



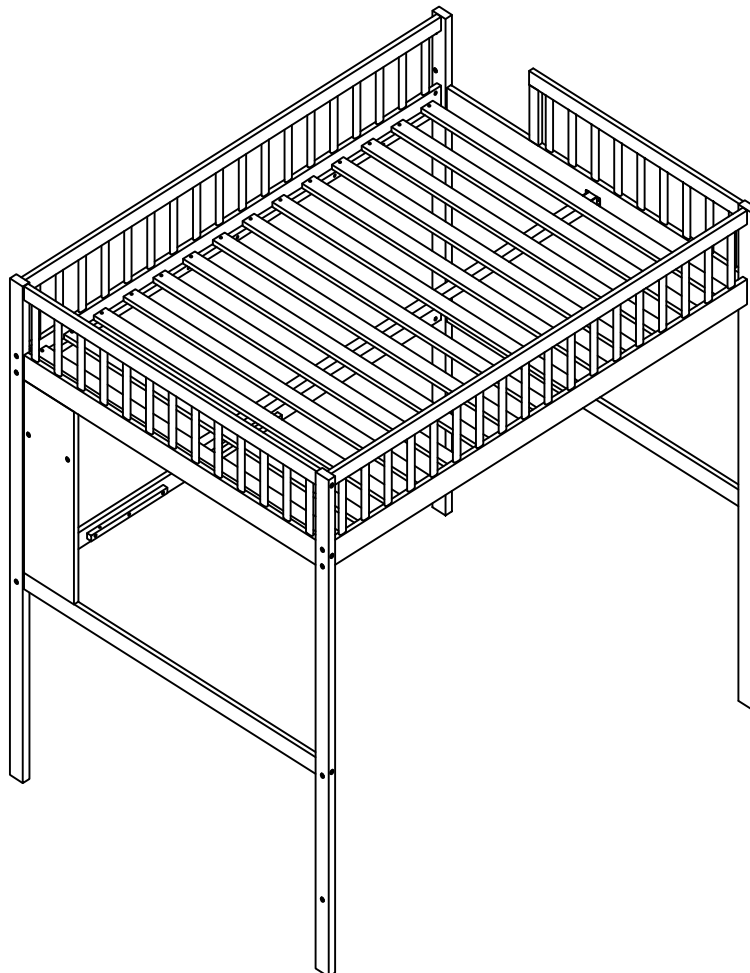
STEP 10:



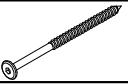
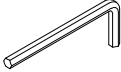
J		28
---	---	----

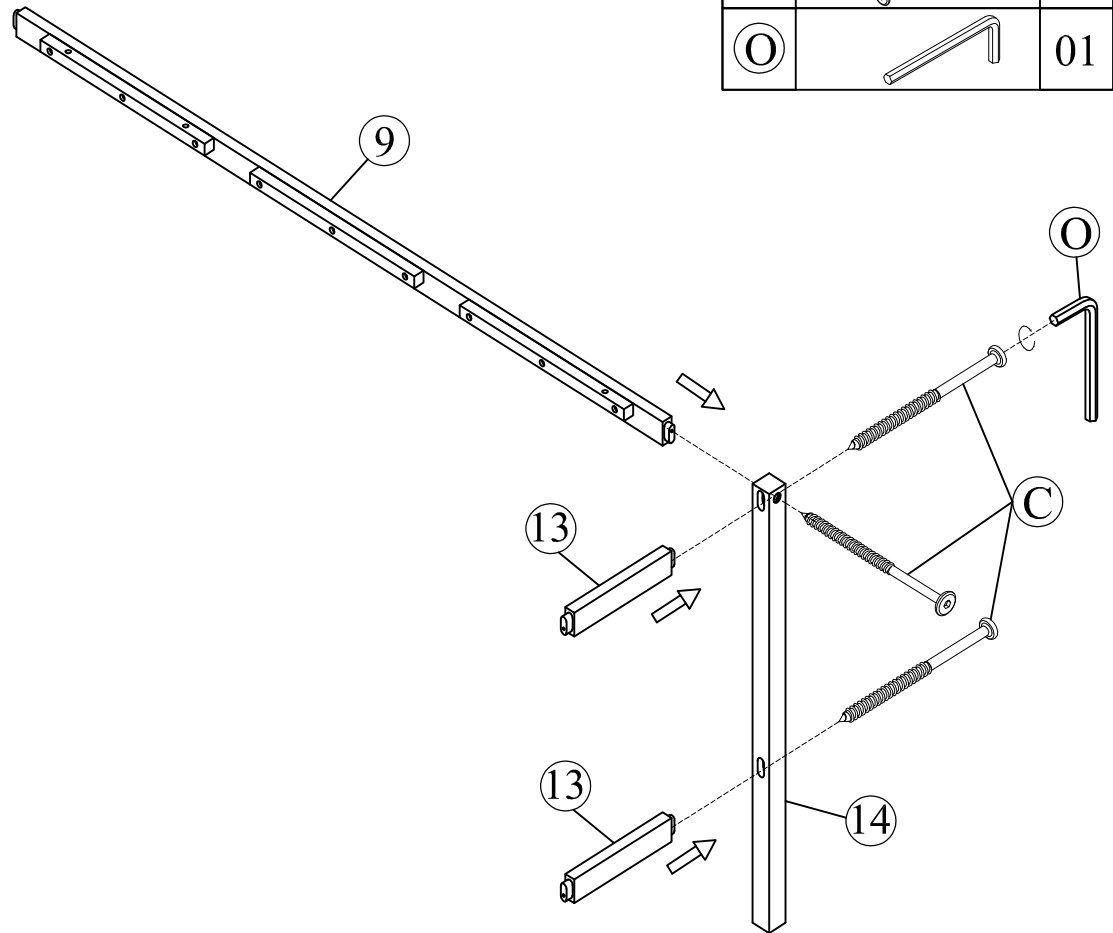


STEP 11:

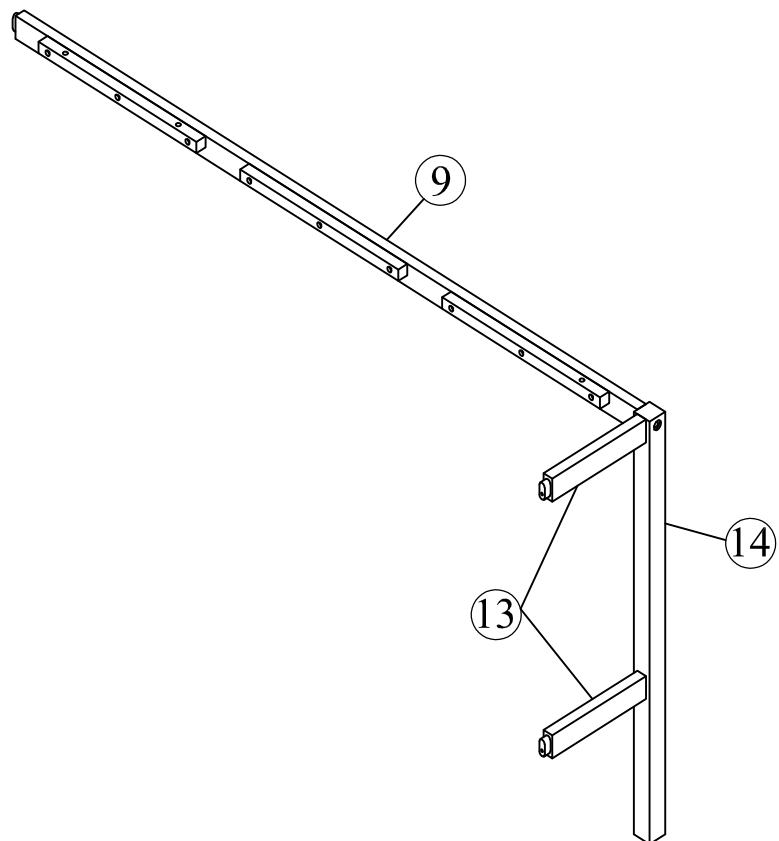


STEP 12:

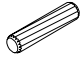
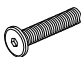
C		03
O		01

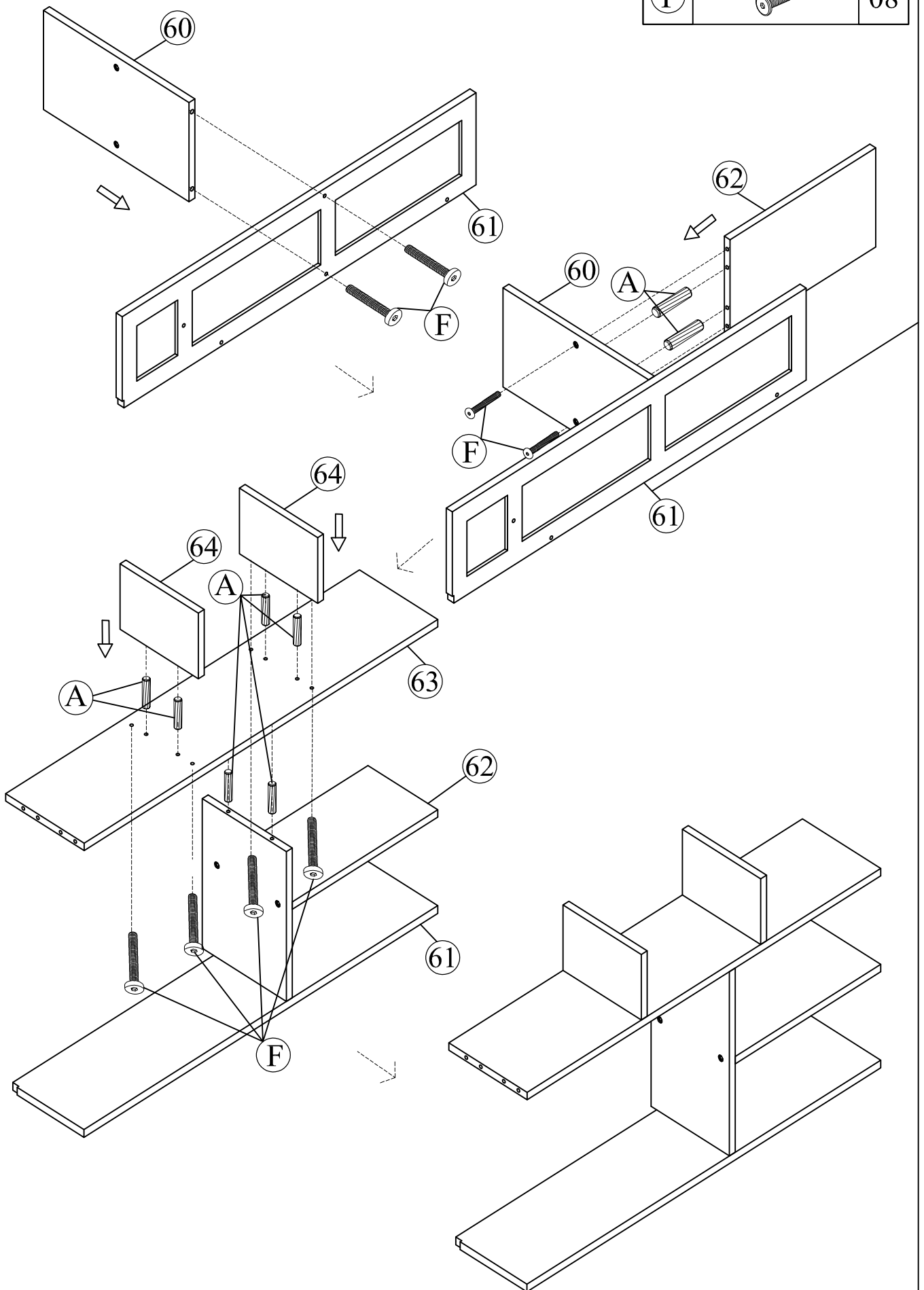


STEP 13:




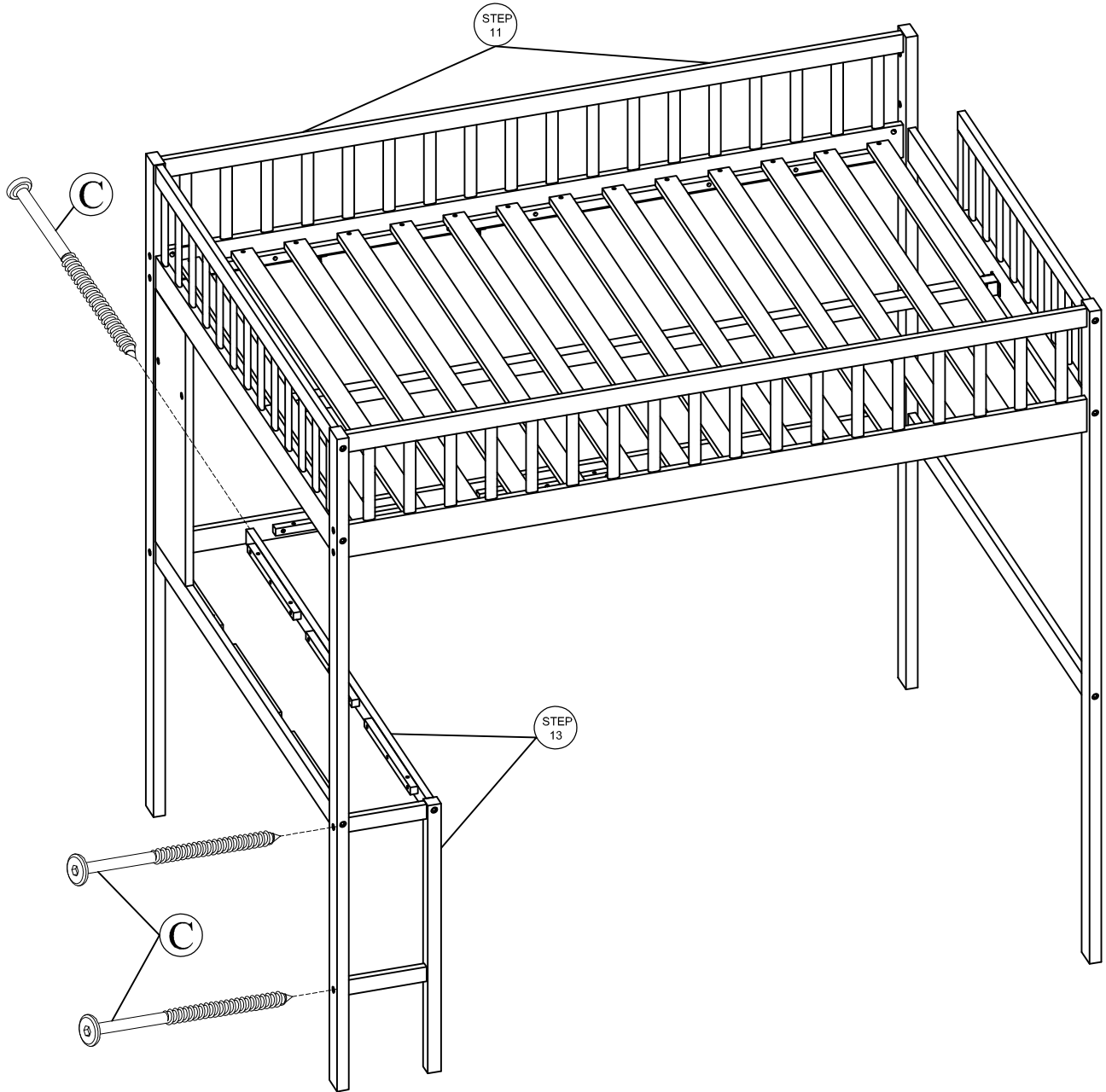
**STEP 14:**

(A)		08
(F)		08

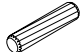
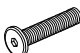


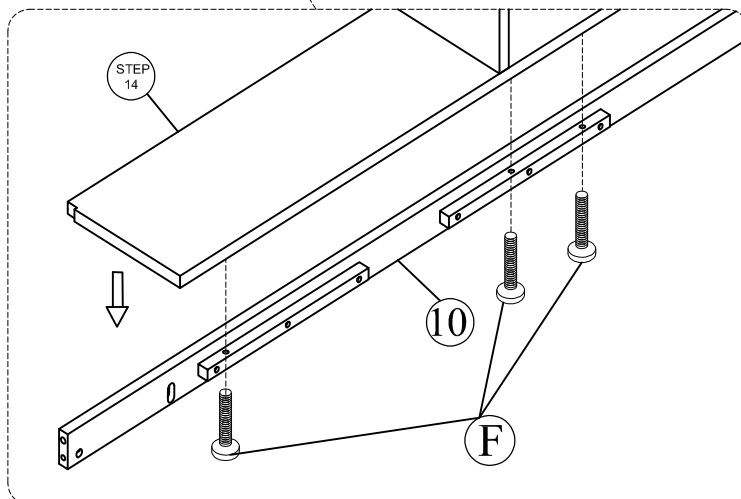
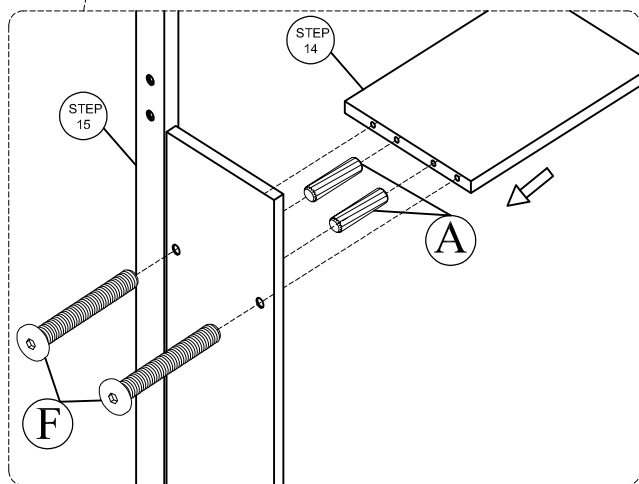
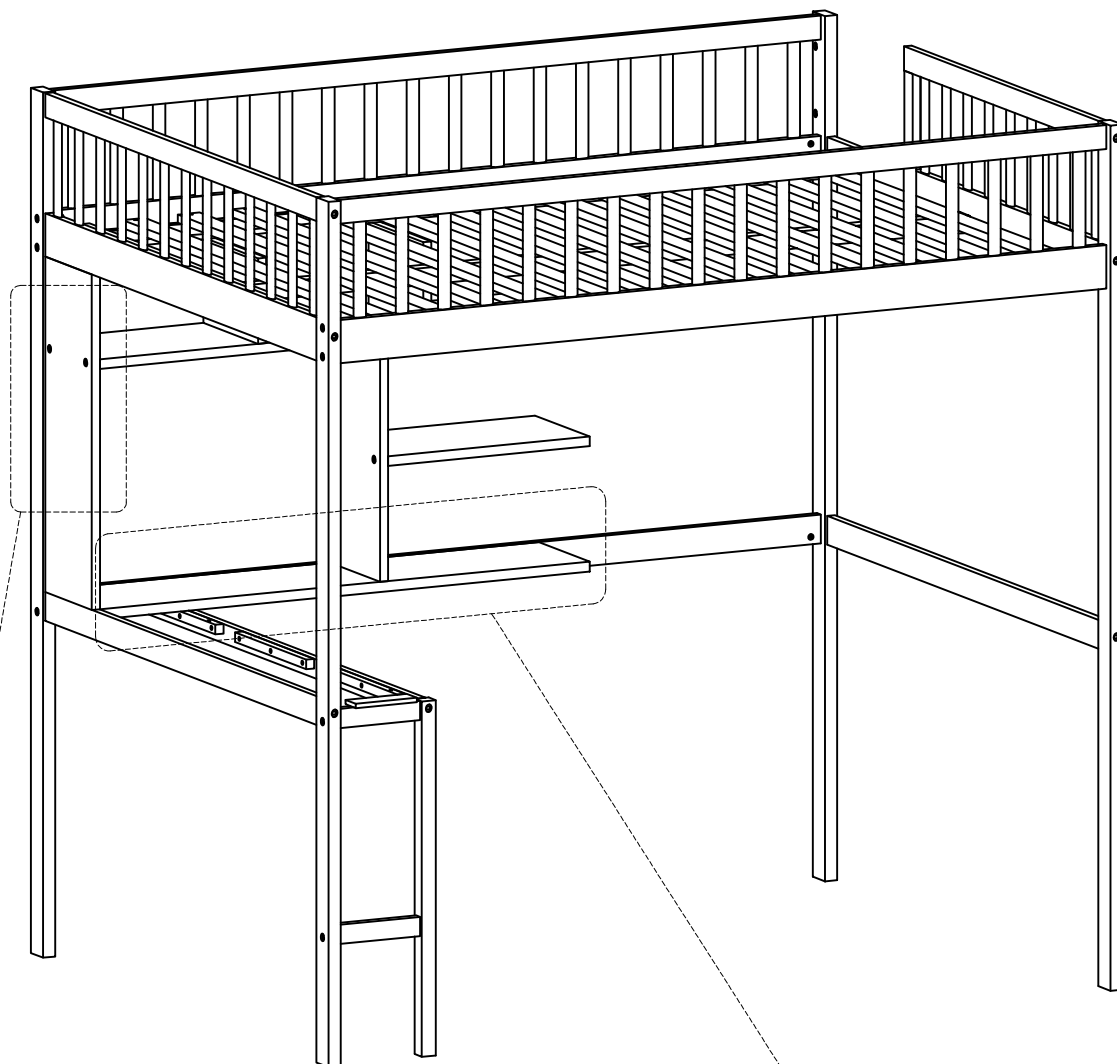
# STEP 15:

C		03
---	---	----

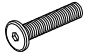


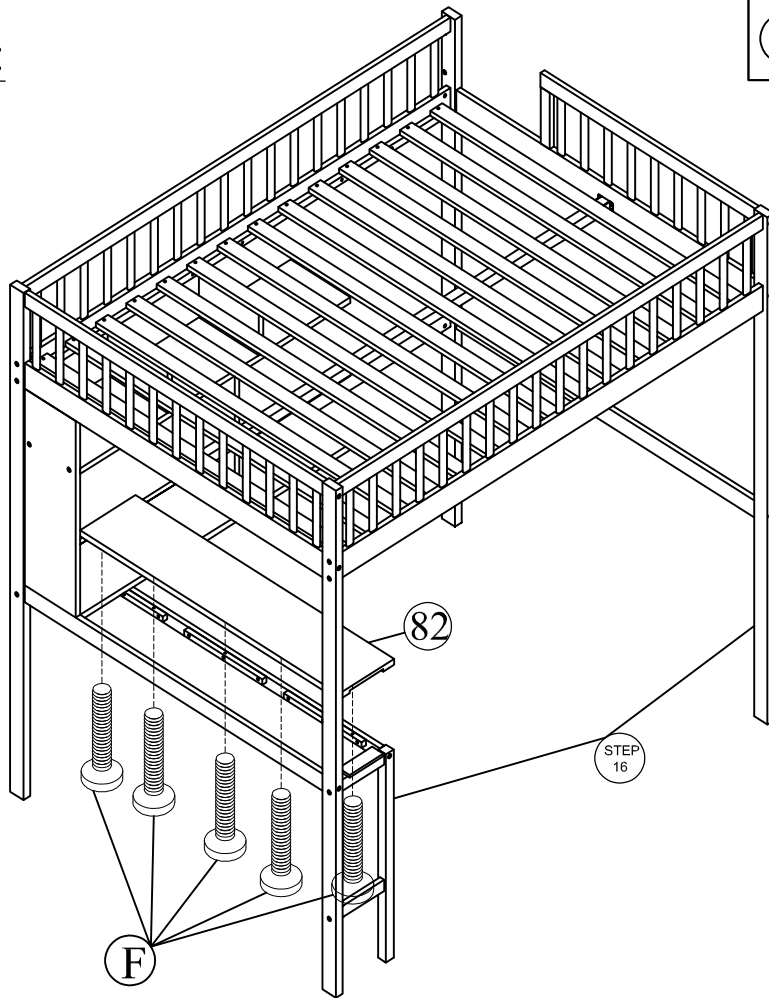
# STEP 16:

(A)		02
(F)		05

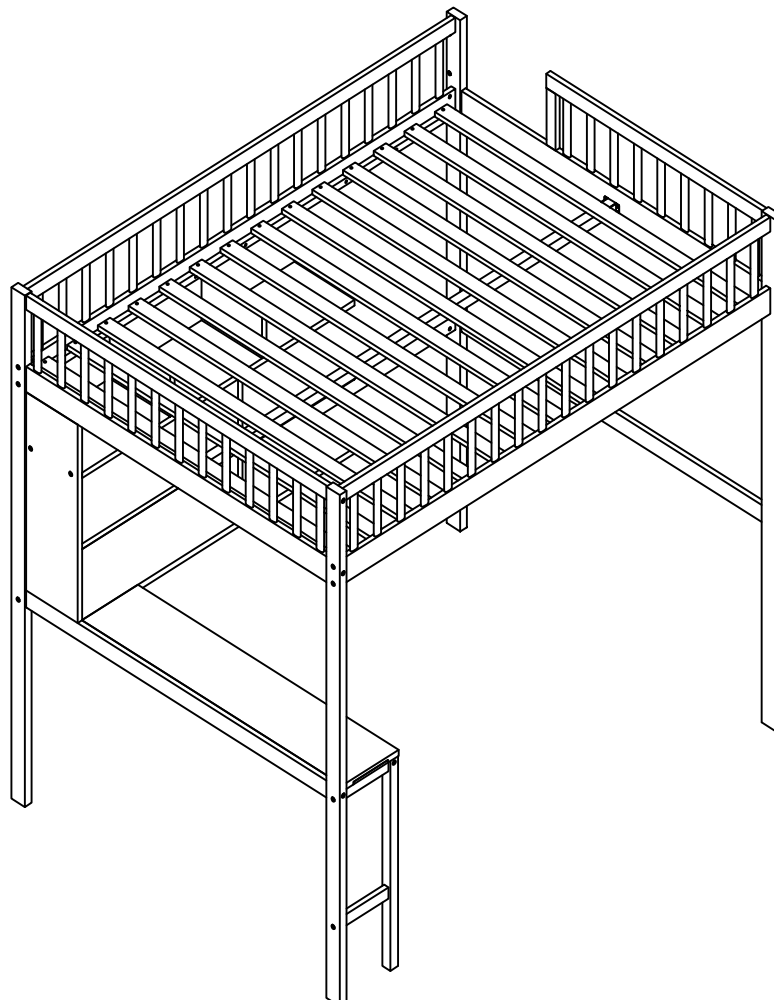


STEP 17:

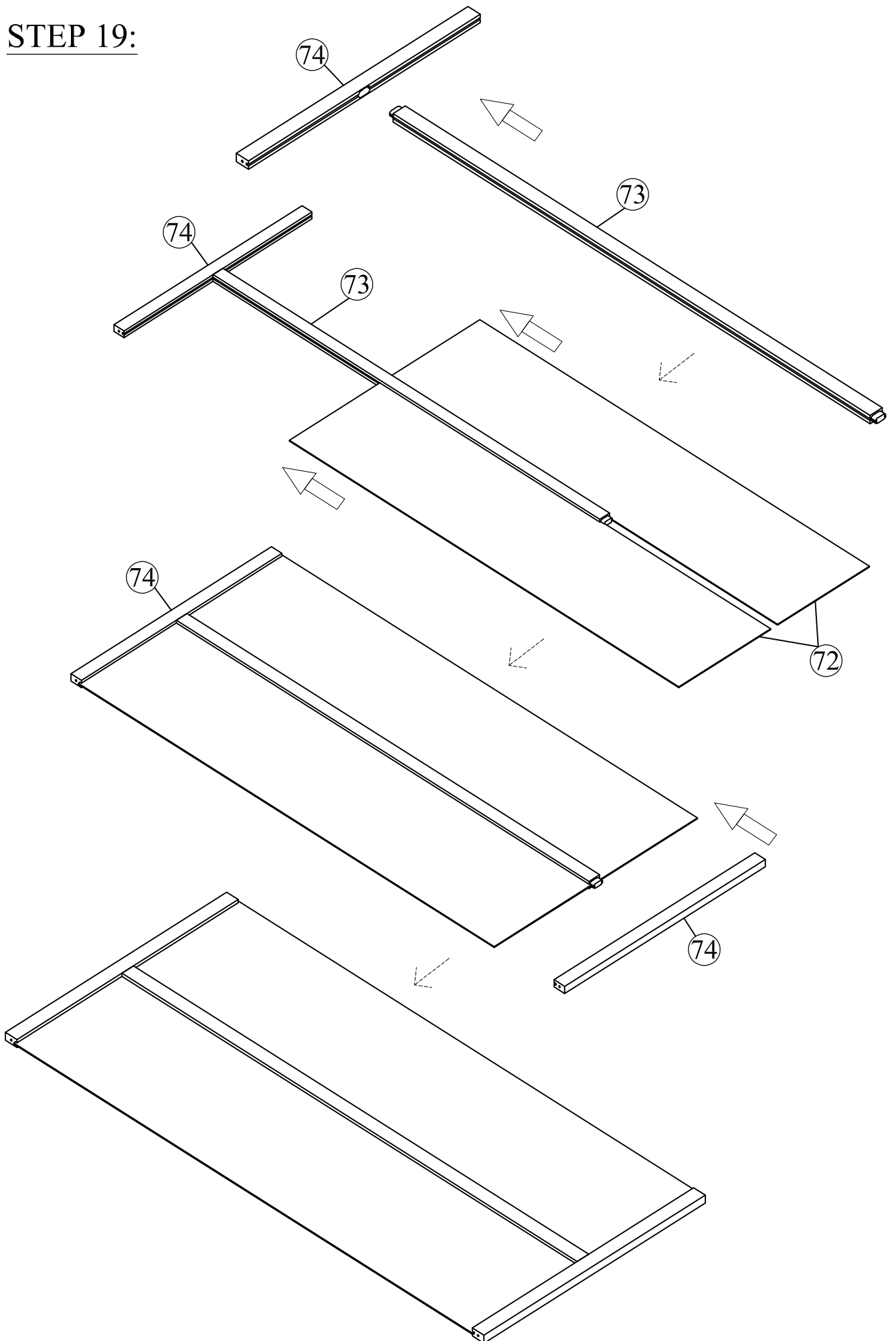
F		05
---	---	----



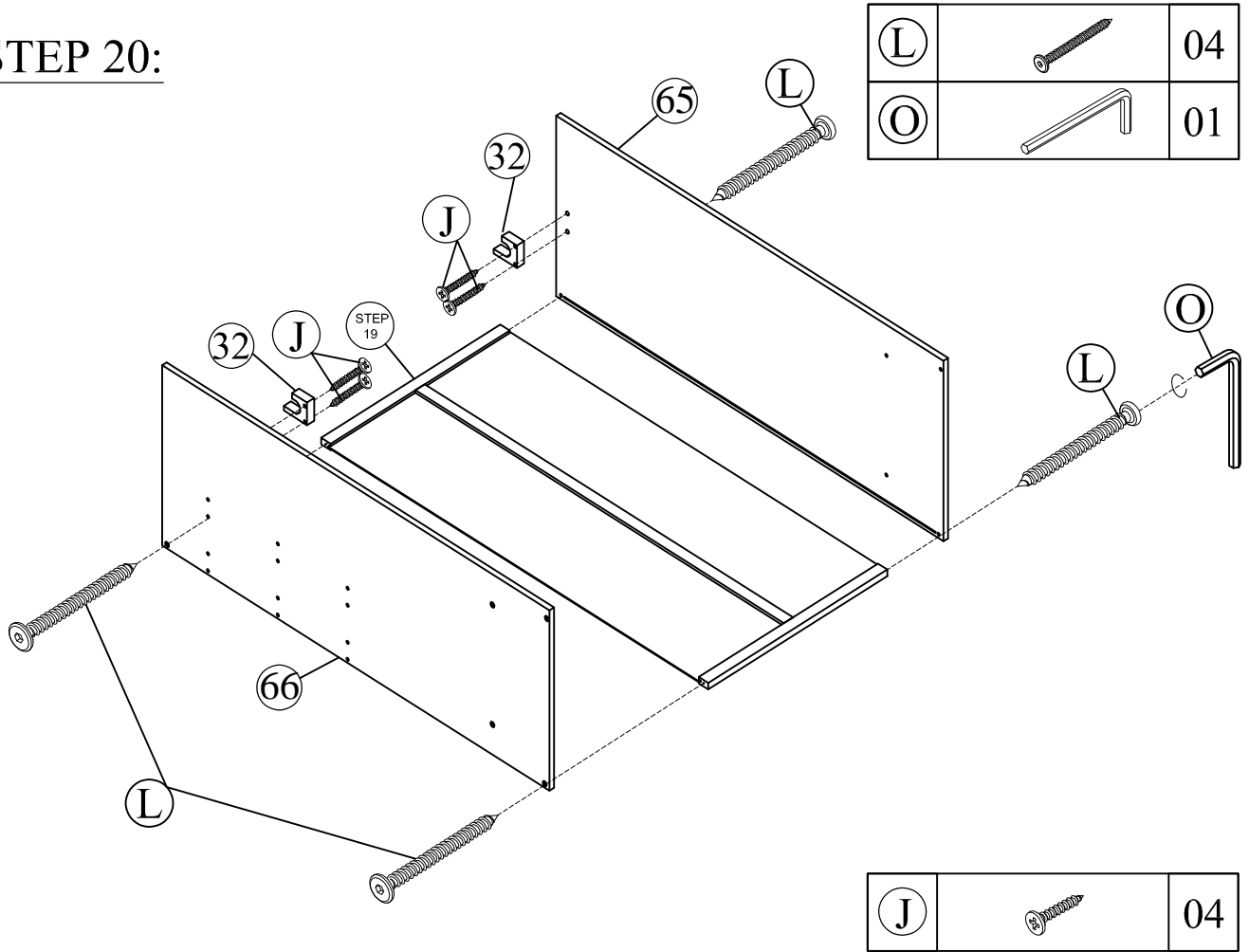
STEP 18:



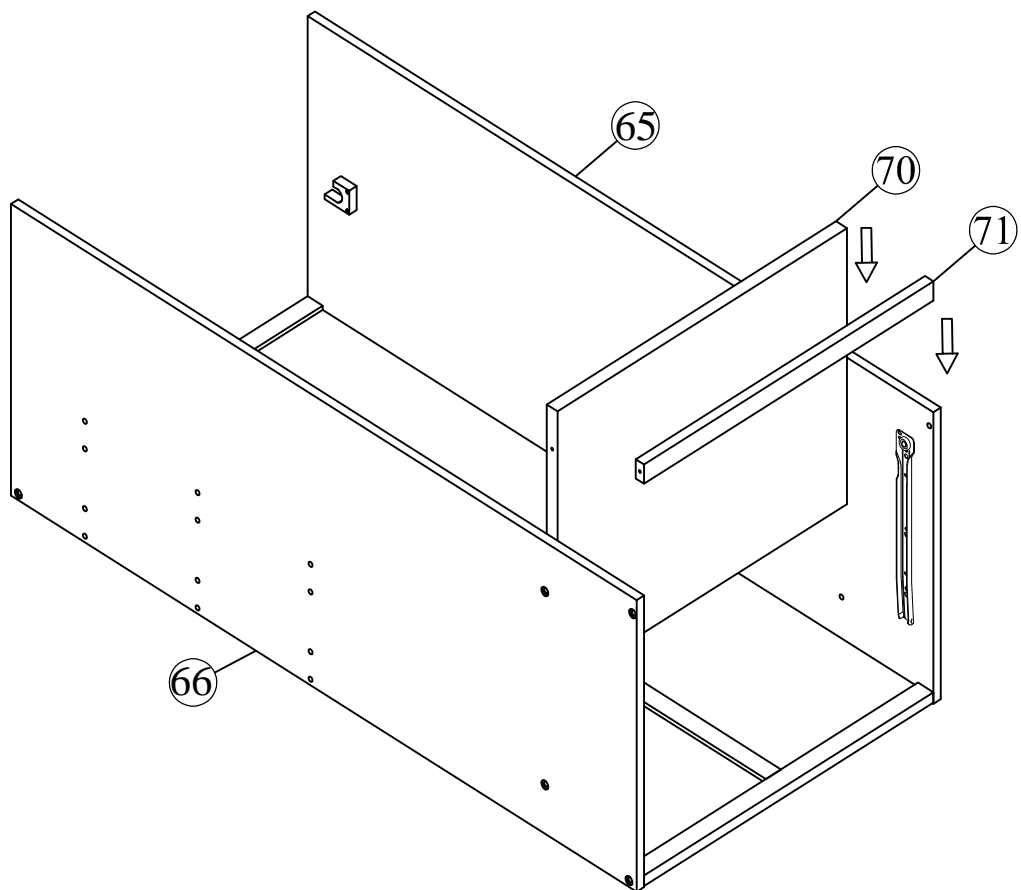
STEP 19:




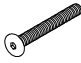
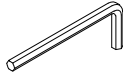
STEP 20:

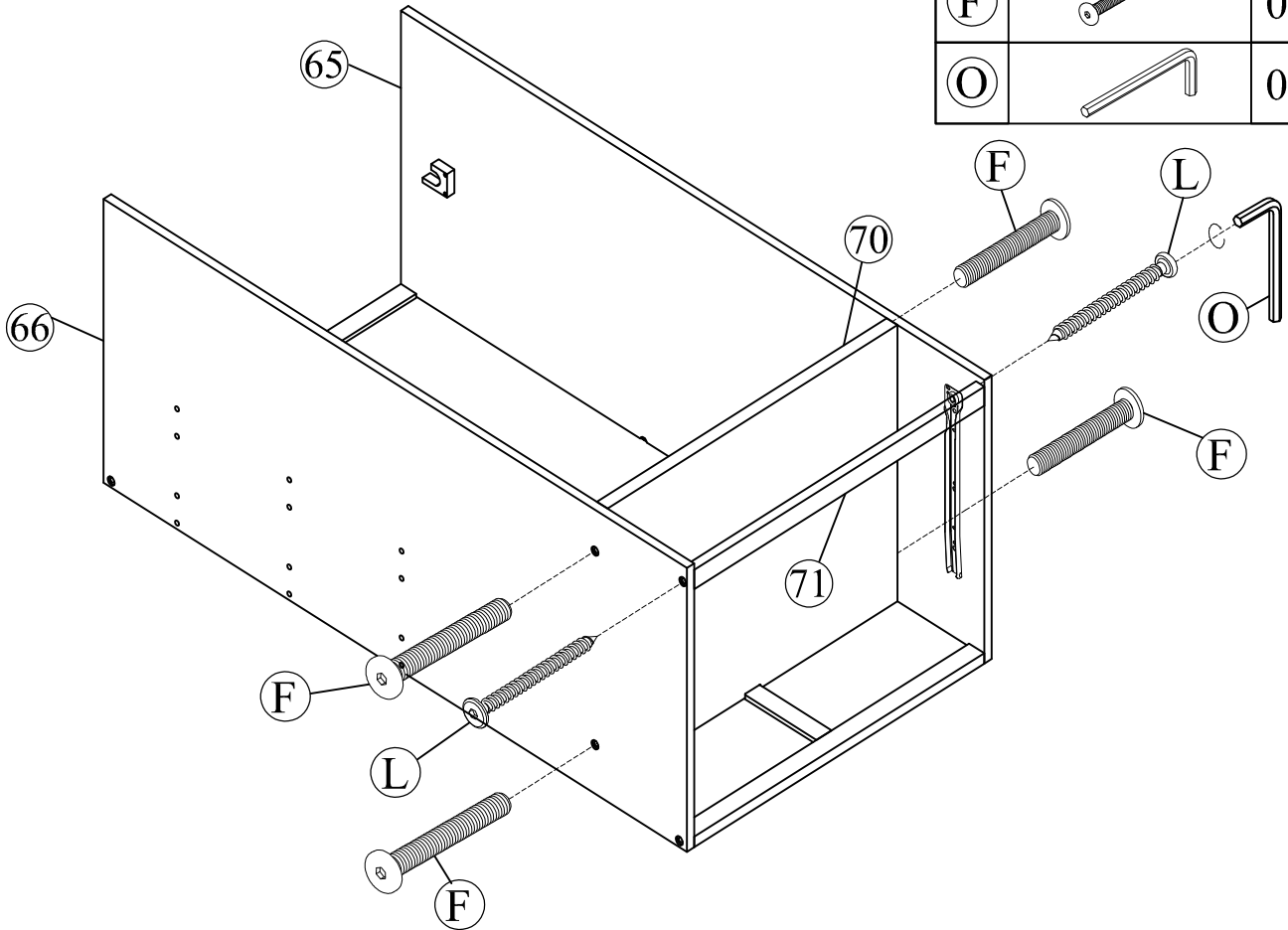


STEP 21:

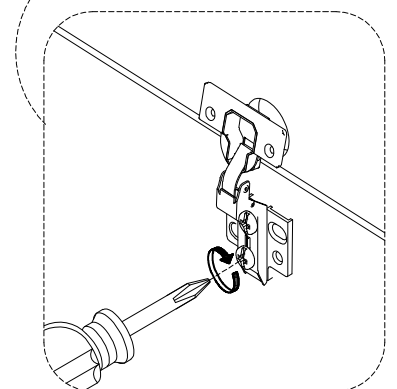
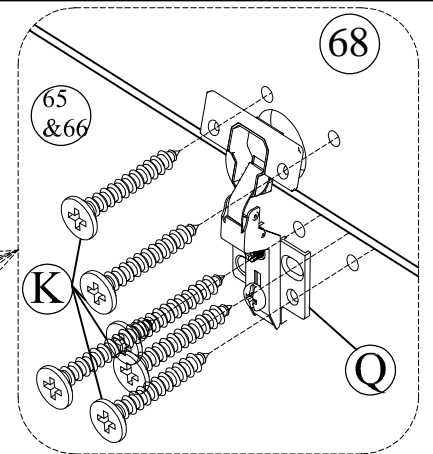
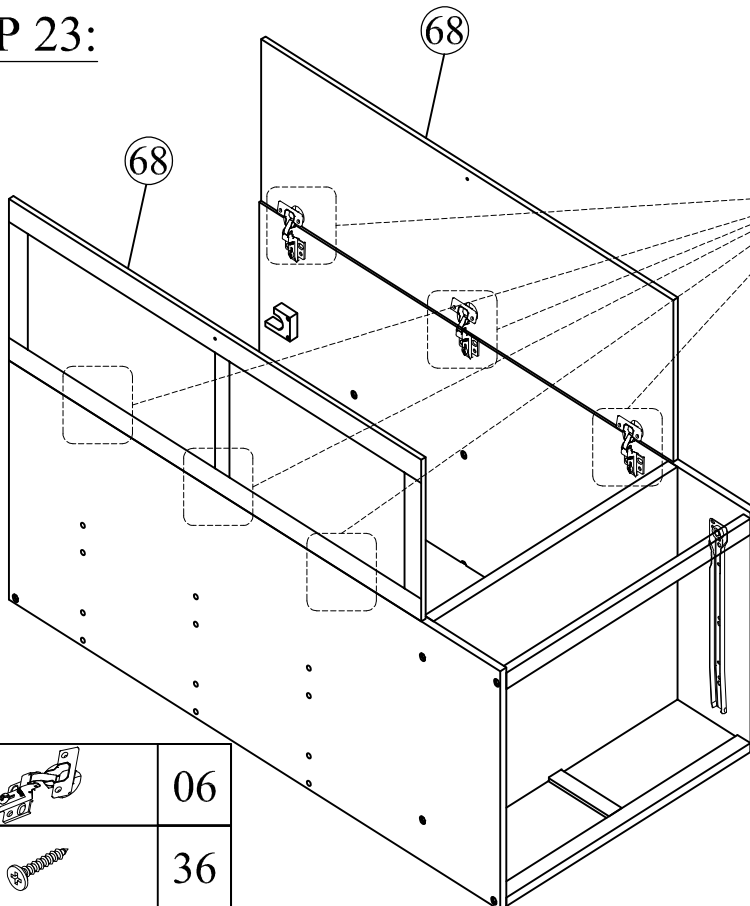




**STEP 22:**

L		02
F		04
O		01



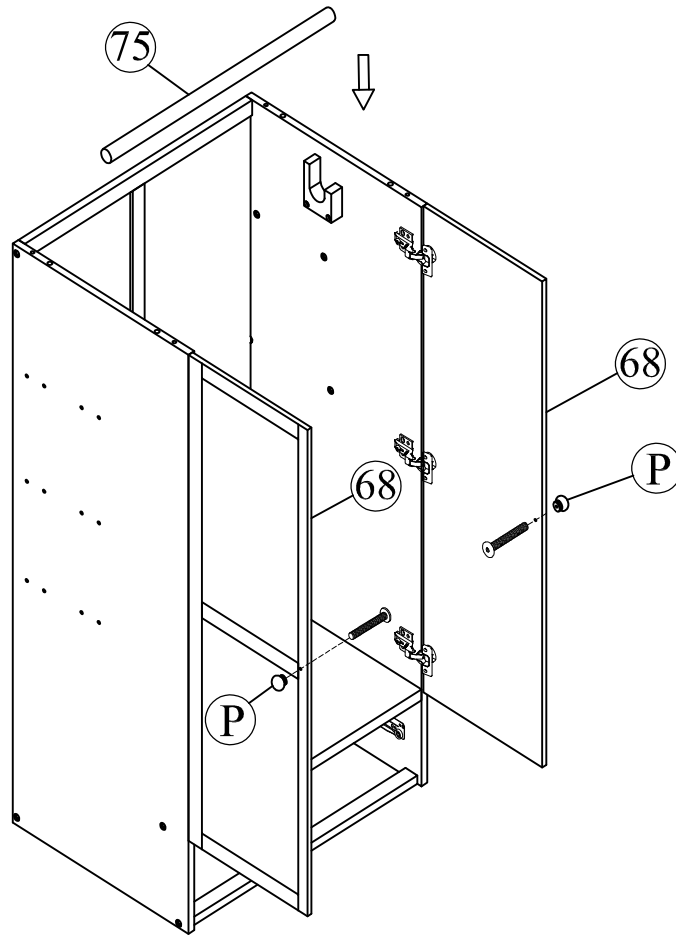
**STEP 23:**




Q		06
K		36

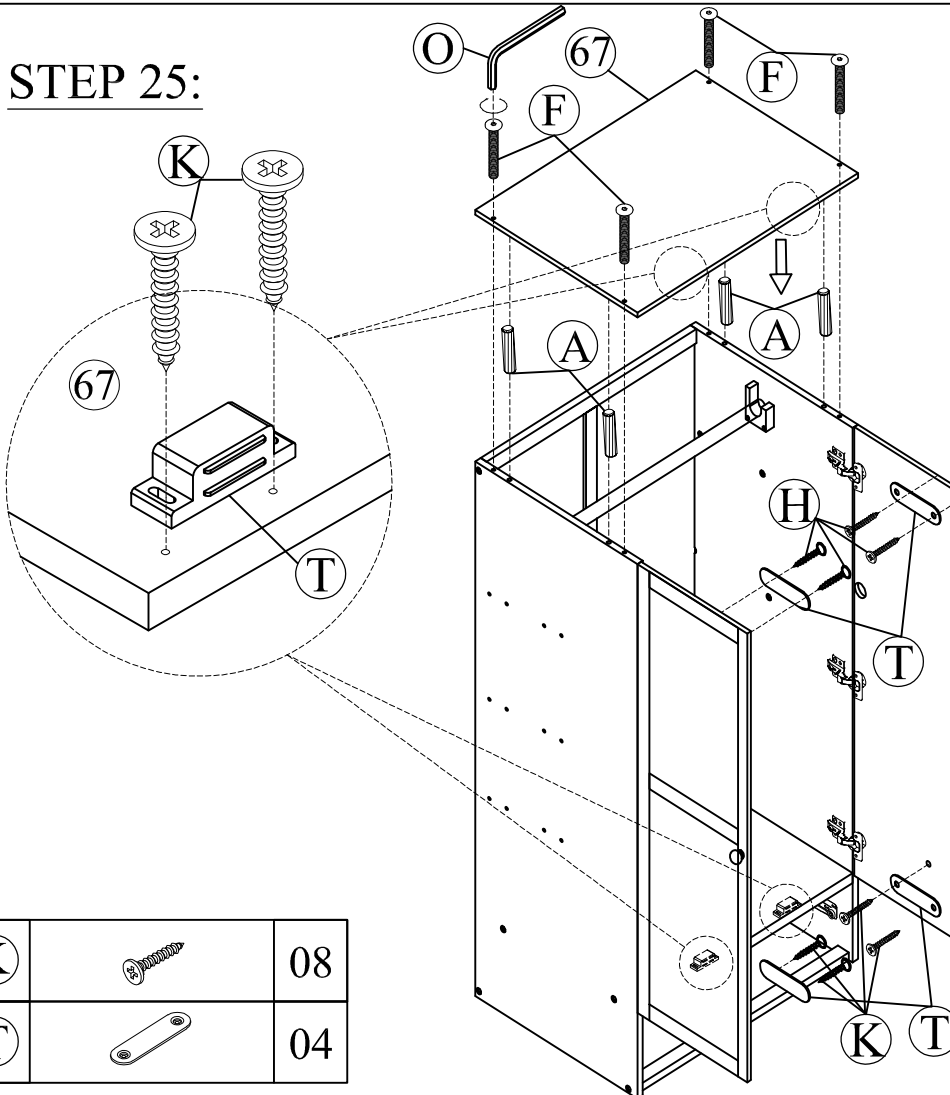
Note:  
Use the hinge bolt adjustment screw to balance the gaps on the closet door.

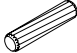
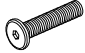



**STEP 24:**


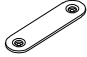


(P)		02
-----	---	----

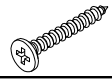



**STEP 25:**

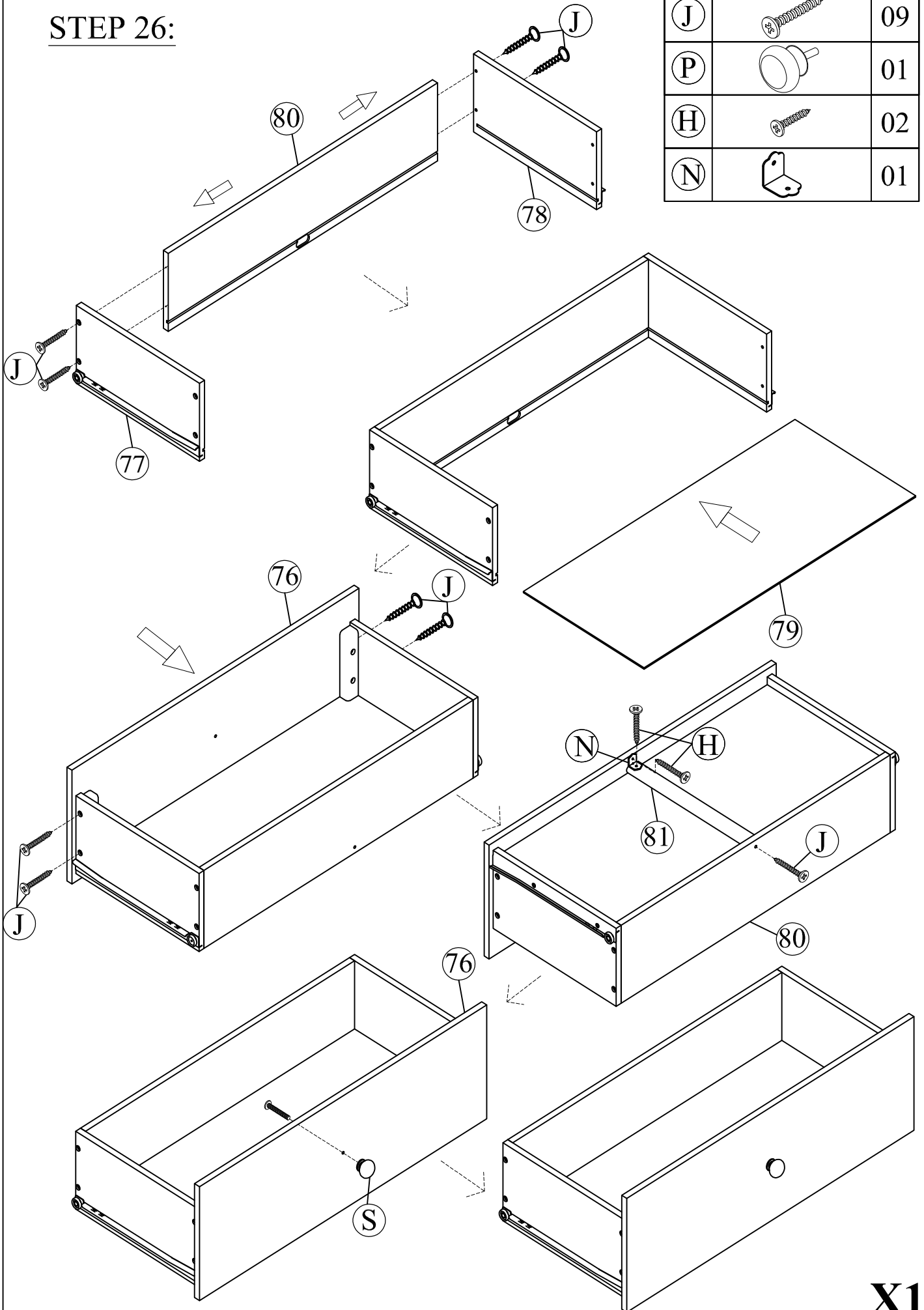


(A)		04
(F)		04
(O)		01
(H)		08
(T)		04

(K)		08
(T)		04

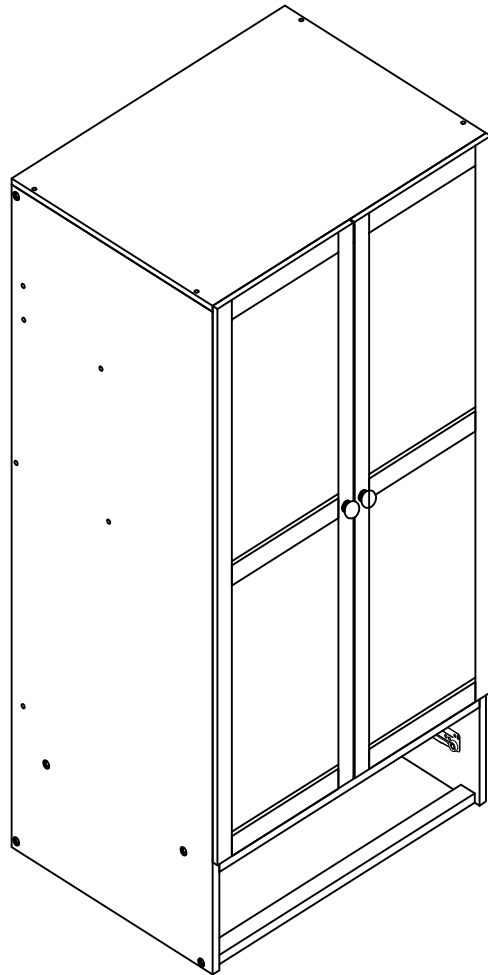
**STEP 26:**

(J)		09
(P)		01
(H)		02
(N)		01

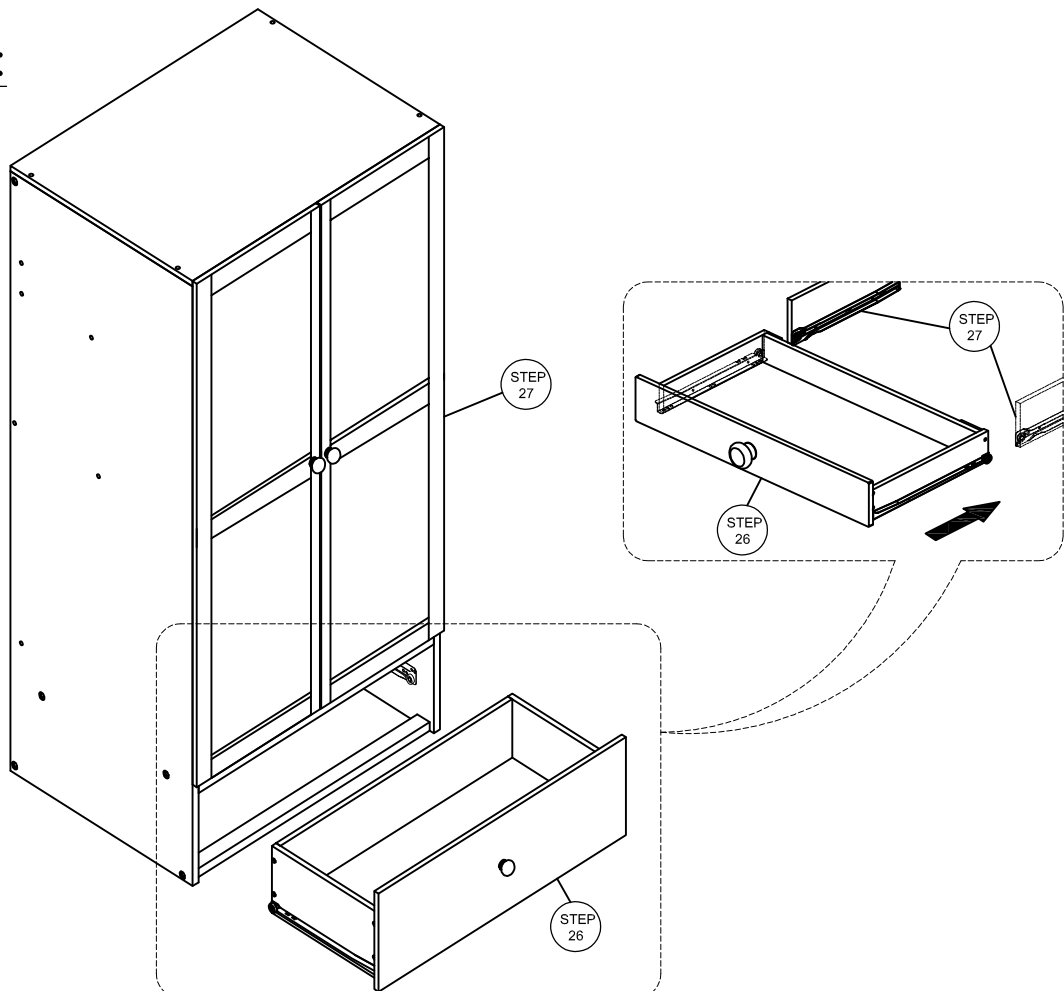


**X1**

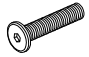
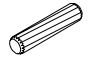
STEP 27:

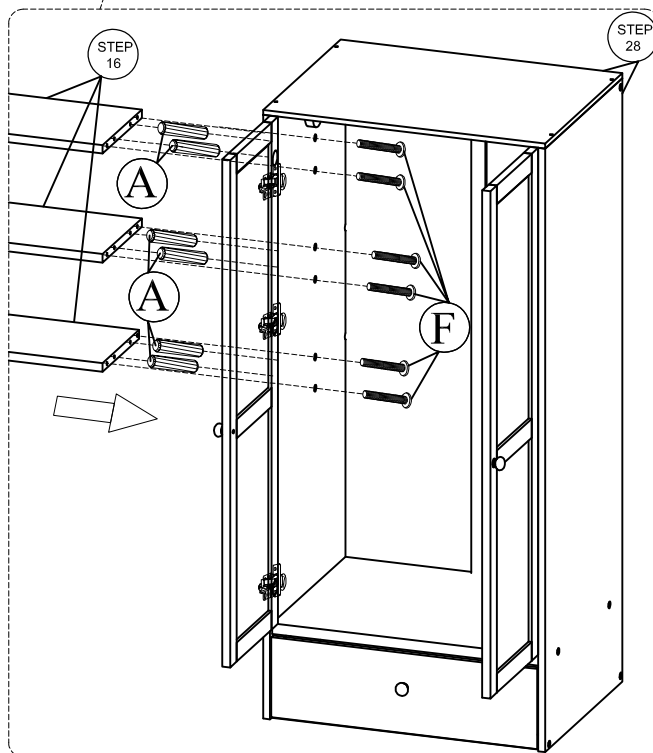
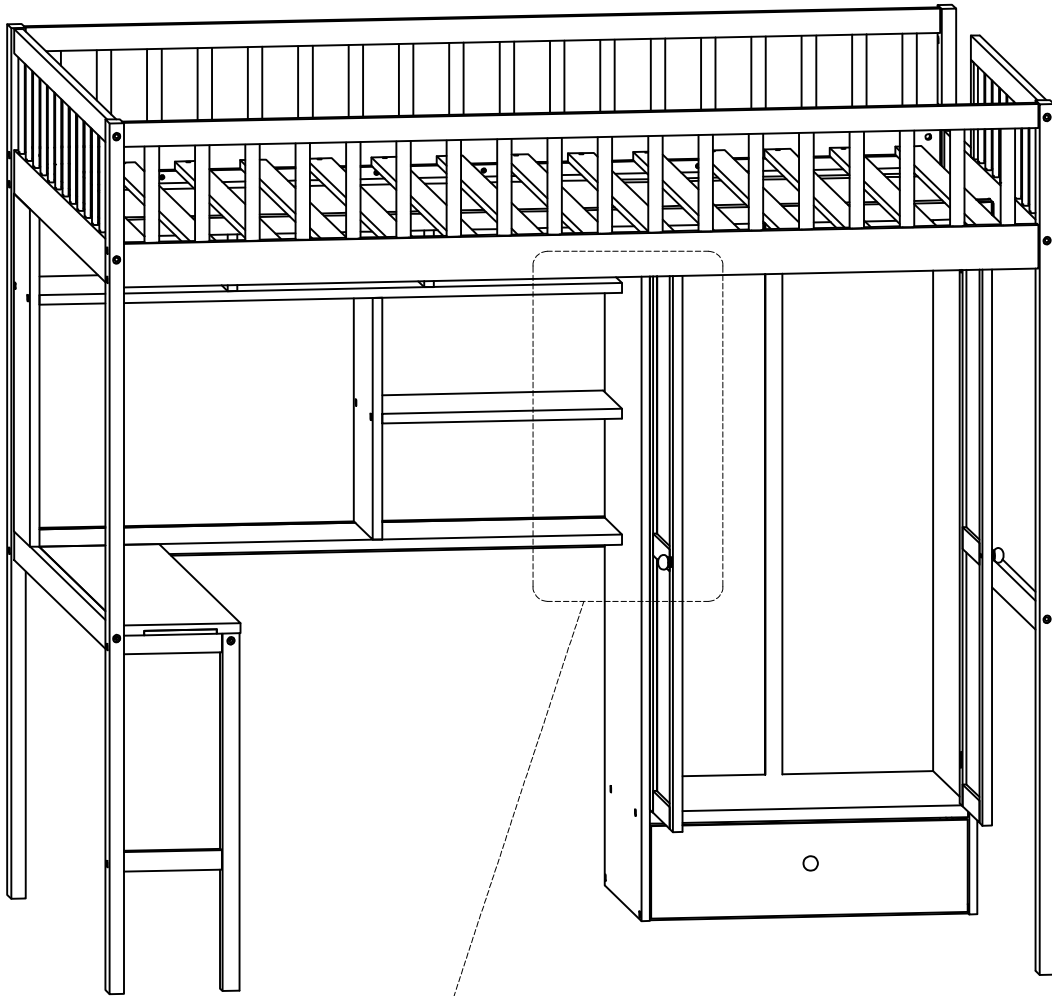


STEP 28:

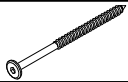


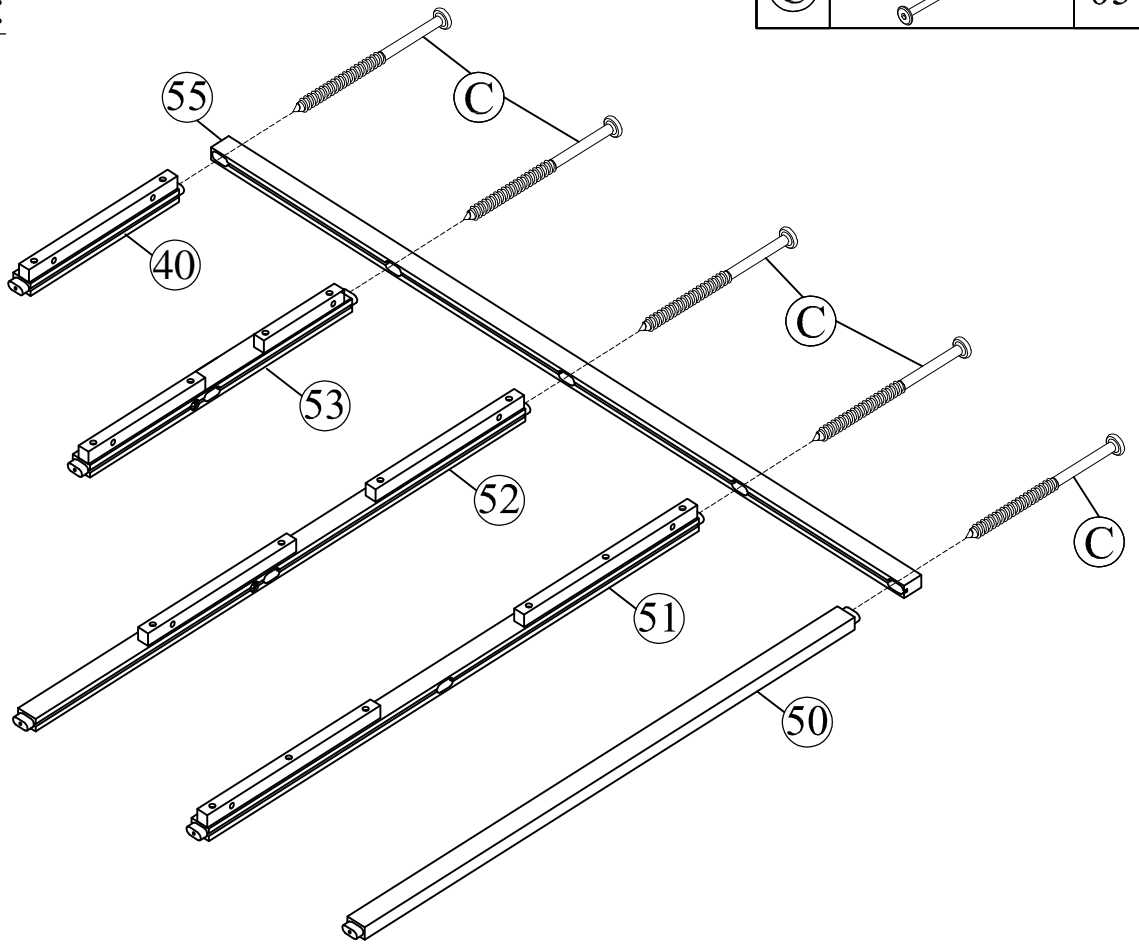
**STEP 29:**

F		06
A		06

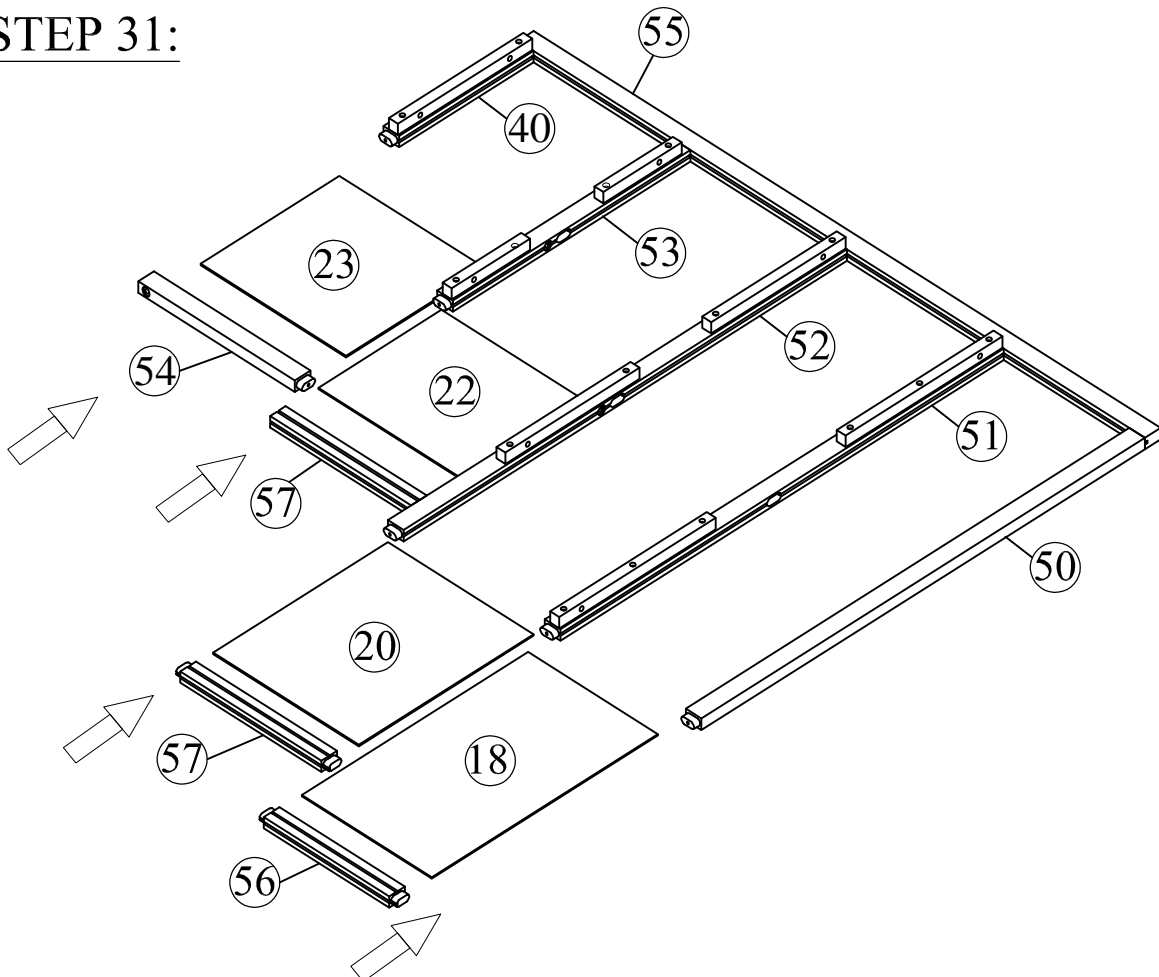


STEP 30:


(C)		05
-----	---	----

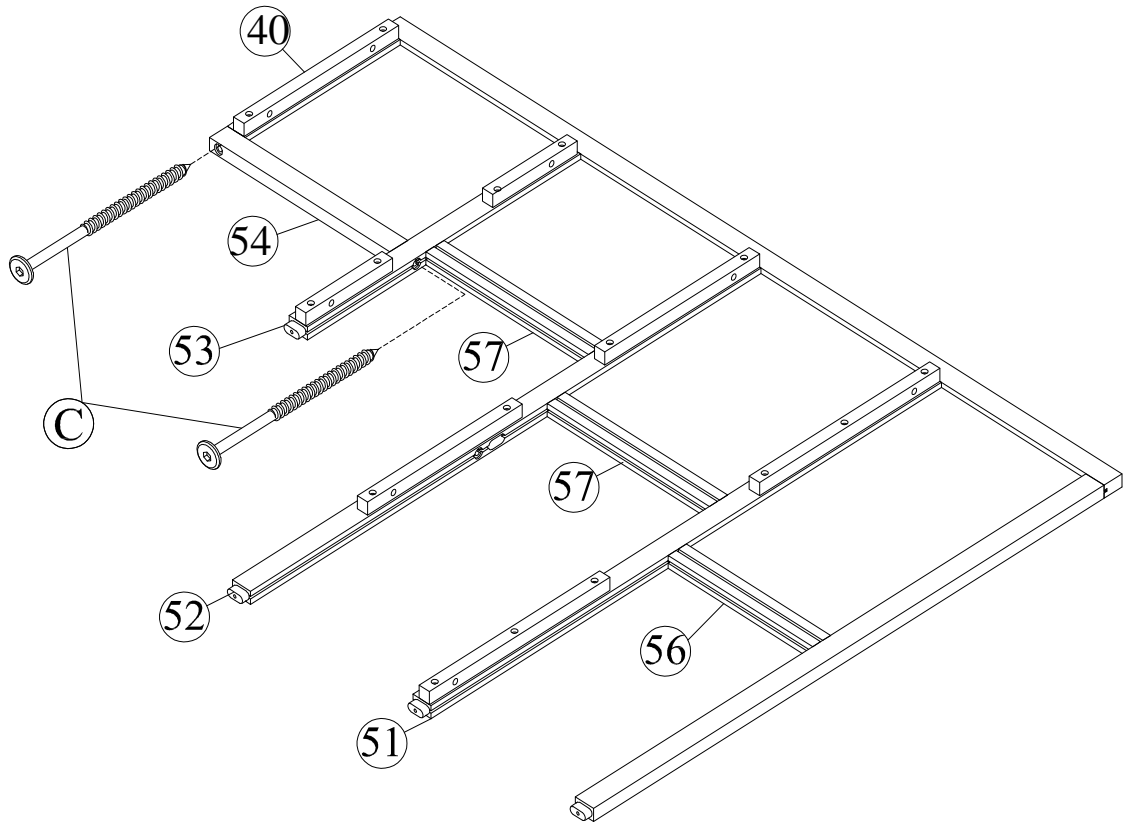


STEP 31:



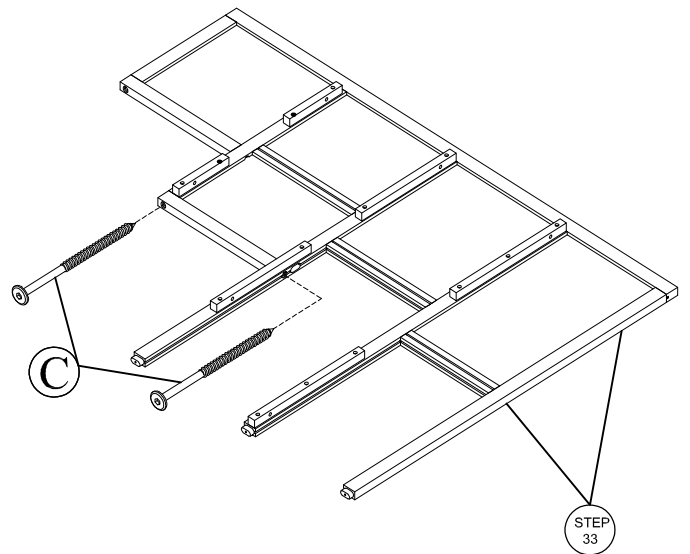
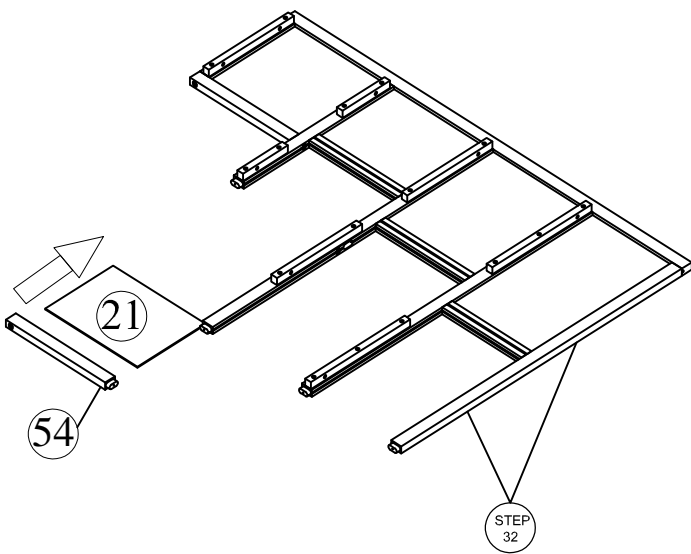
**STEP 32:**


C		02
---	---	----



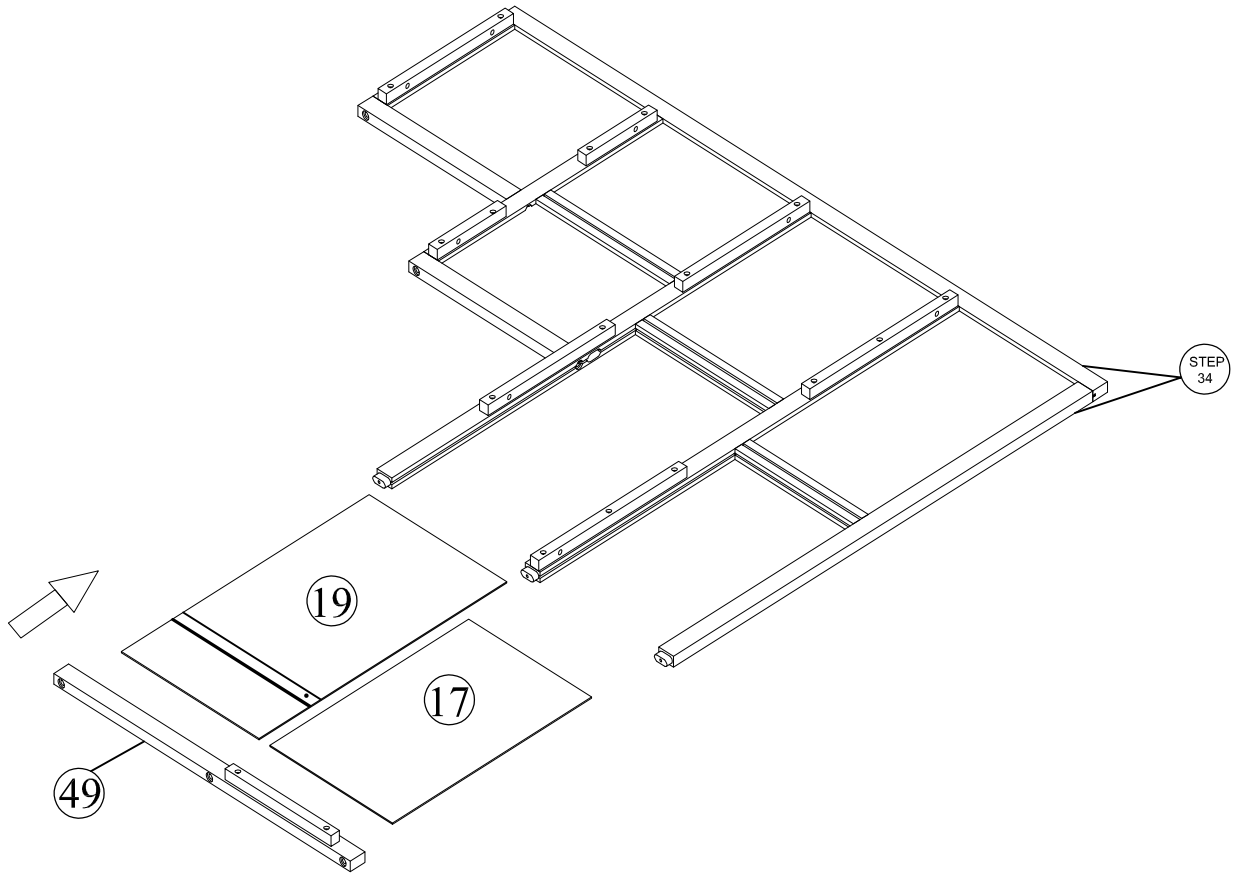
**STEP 33:**

**STEP 34:**

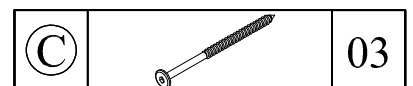
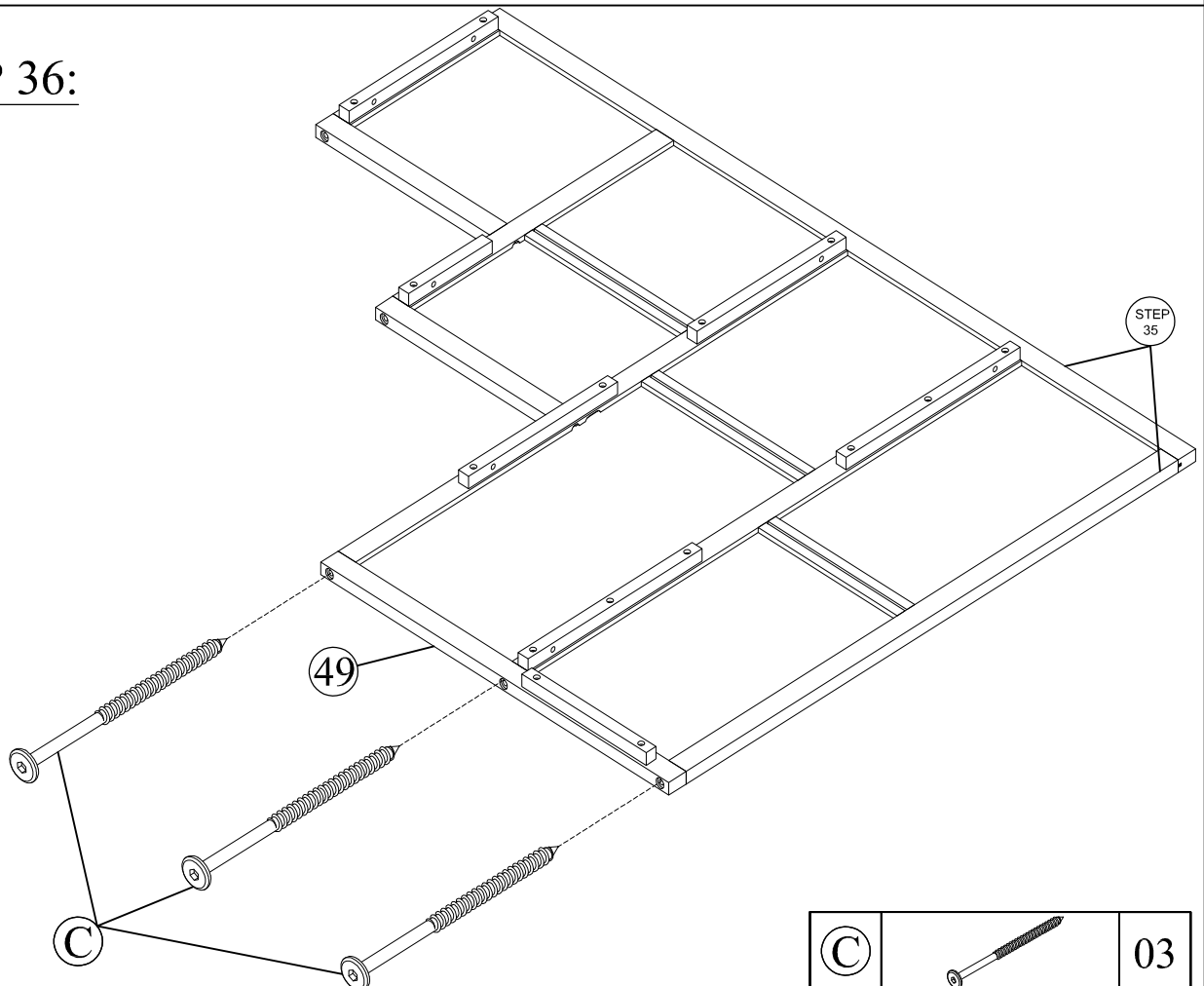


C		02
---	---	----

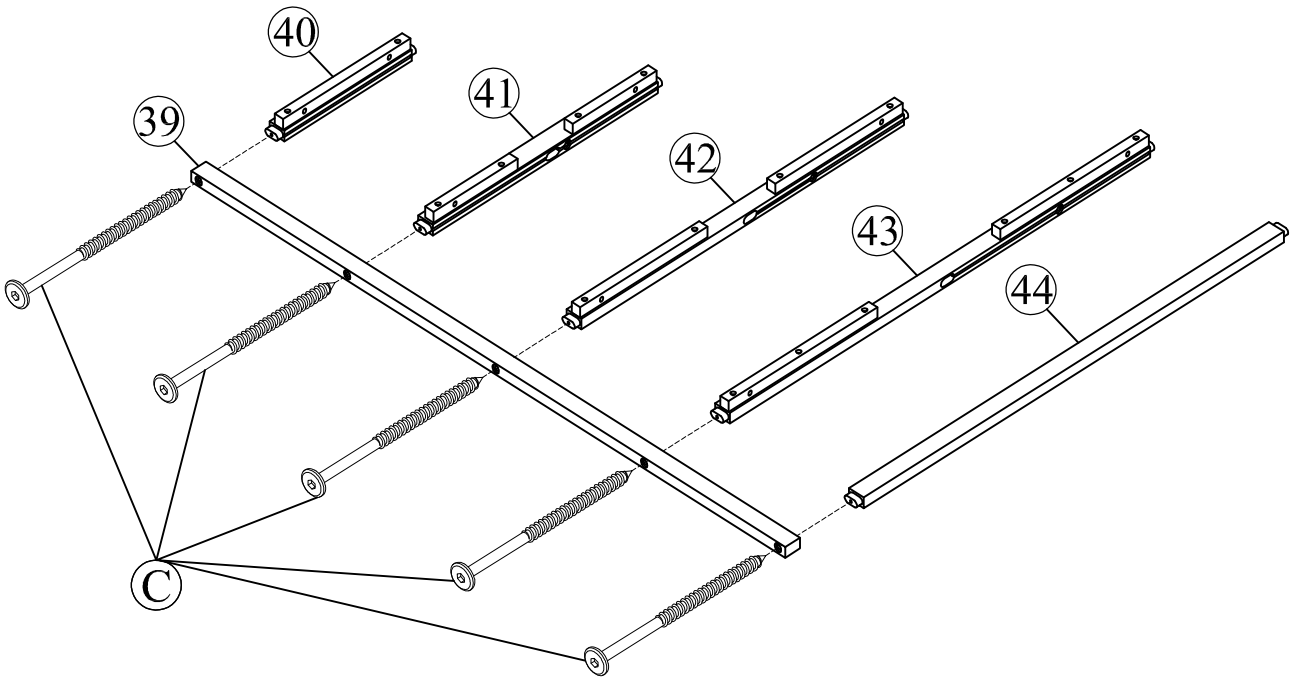
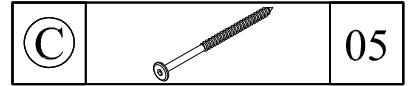
STEP 35:



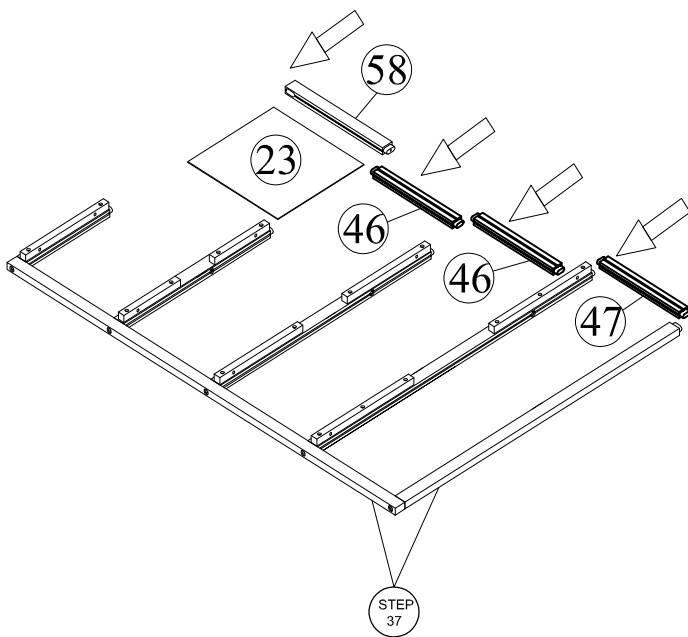
STEP 36:



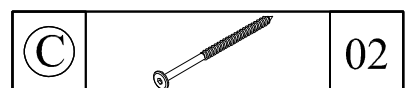
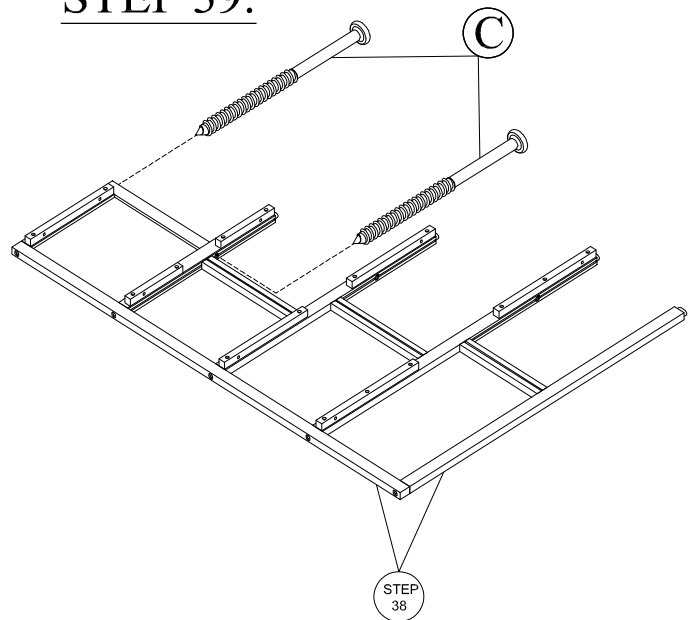
**STEP 37:**



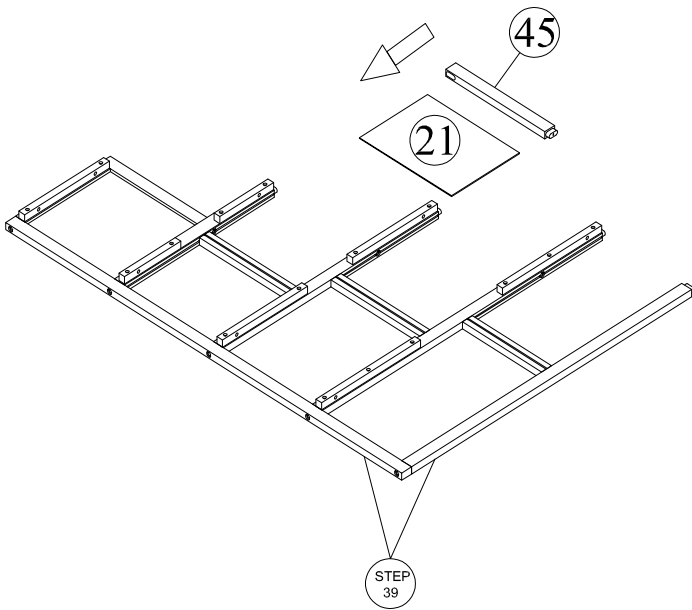
**STEP 38:**



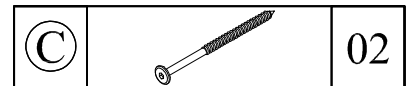
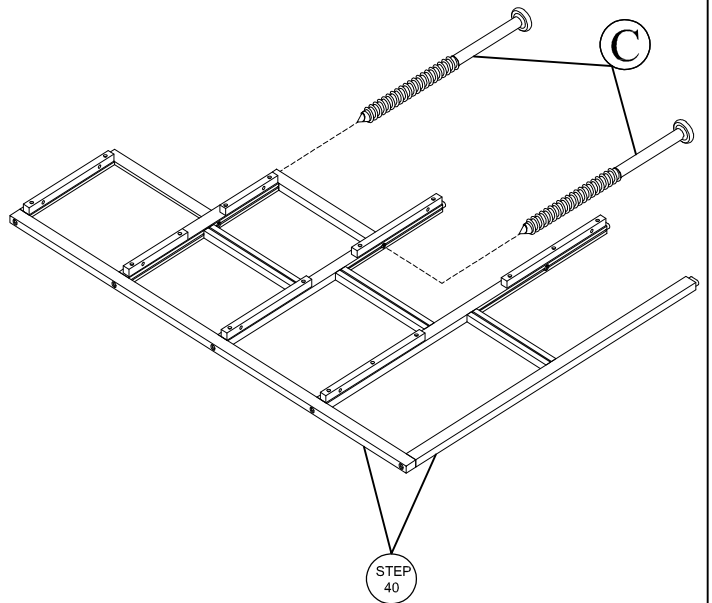
**STEP 39:**



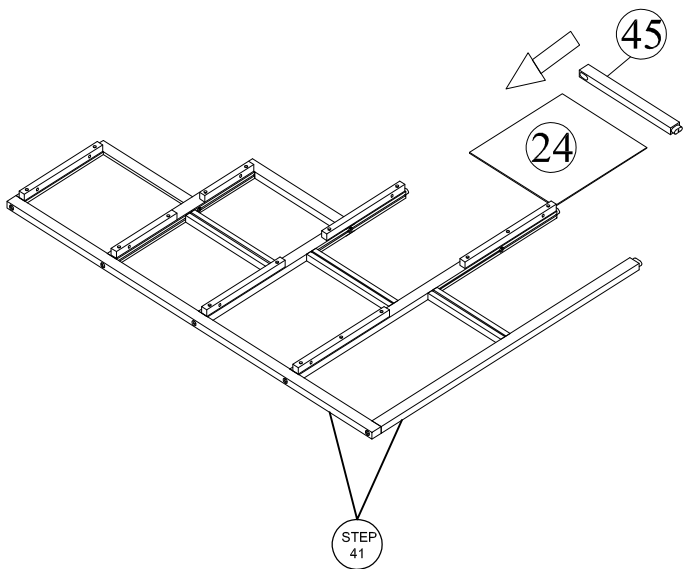
STEP 40:



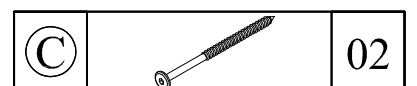
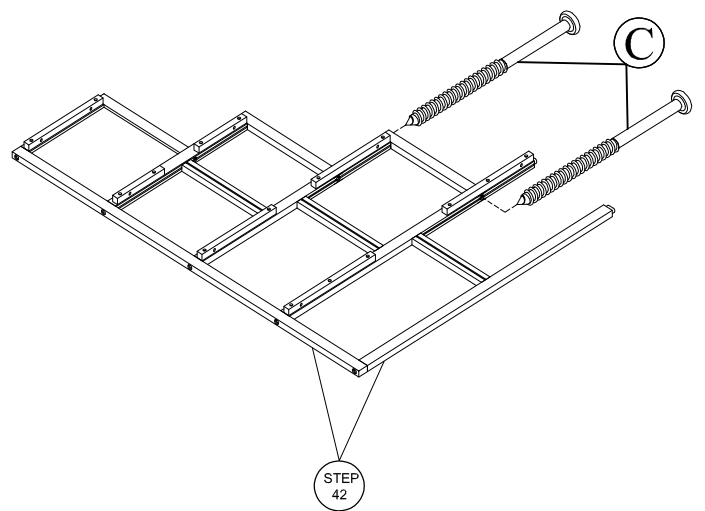
STEP 41:



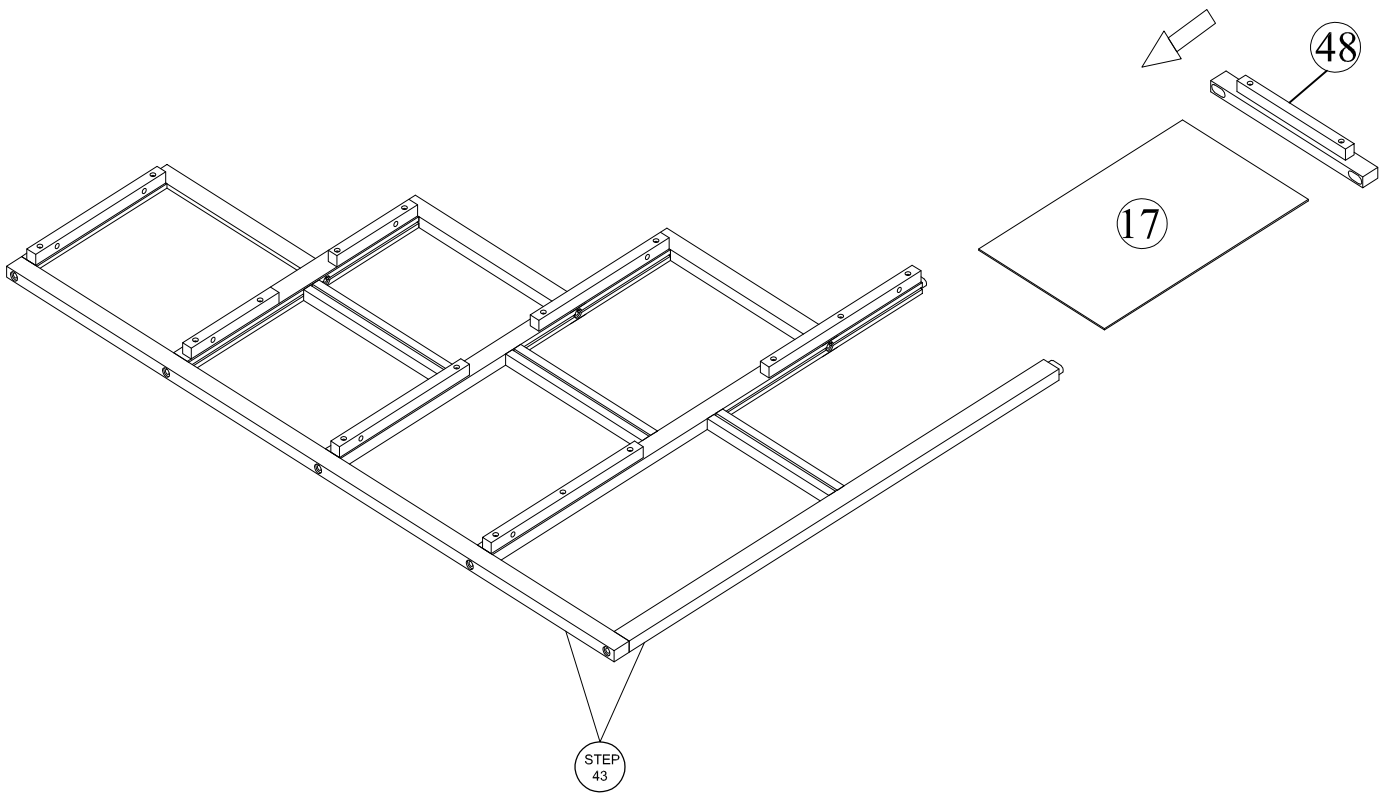
STEP 42:



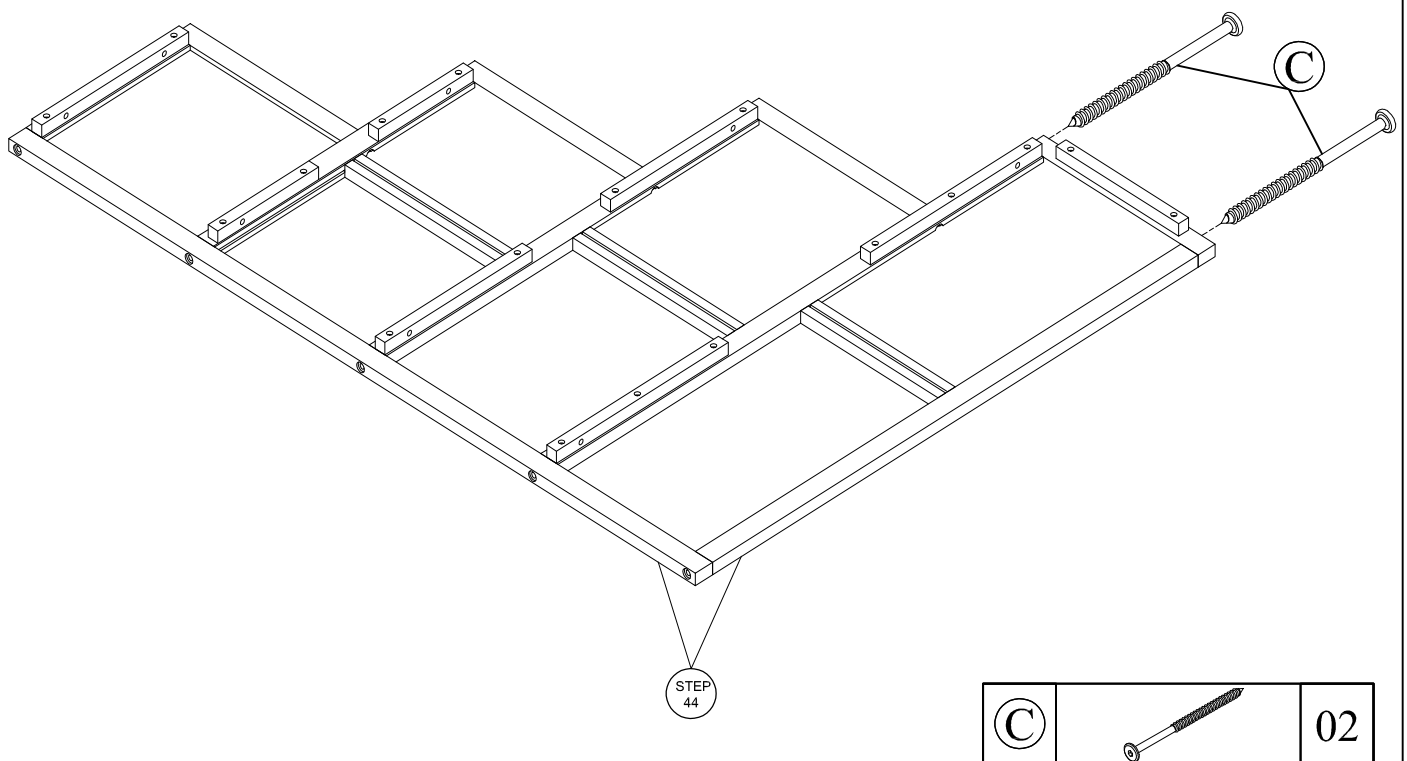
STEP 43:





STEP 44:

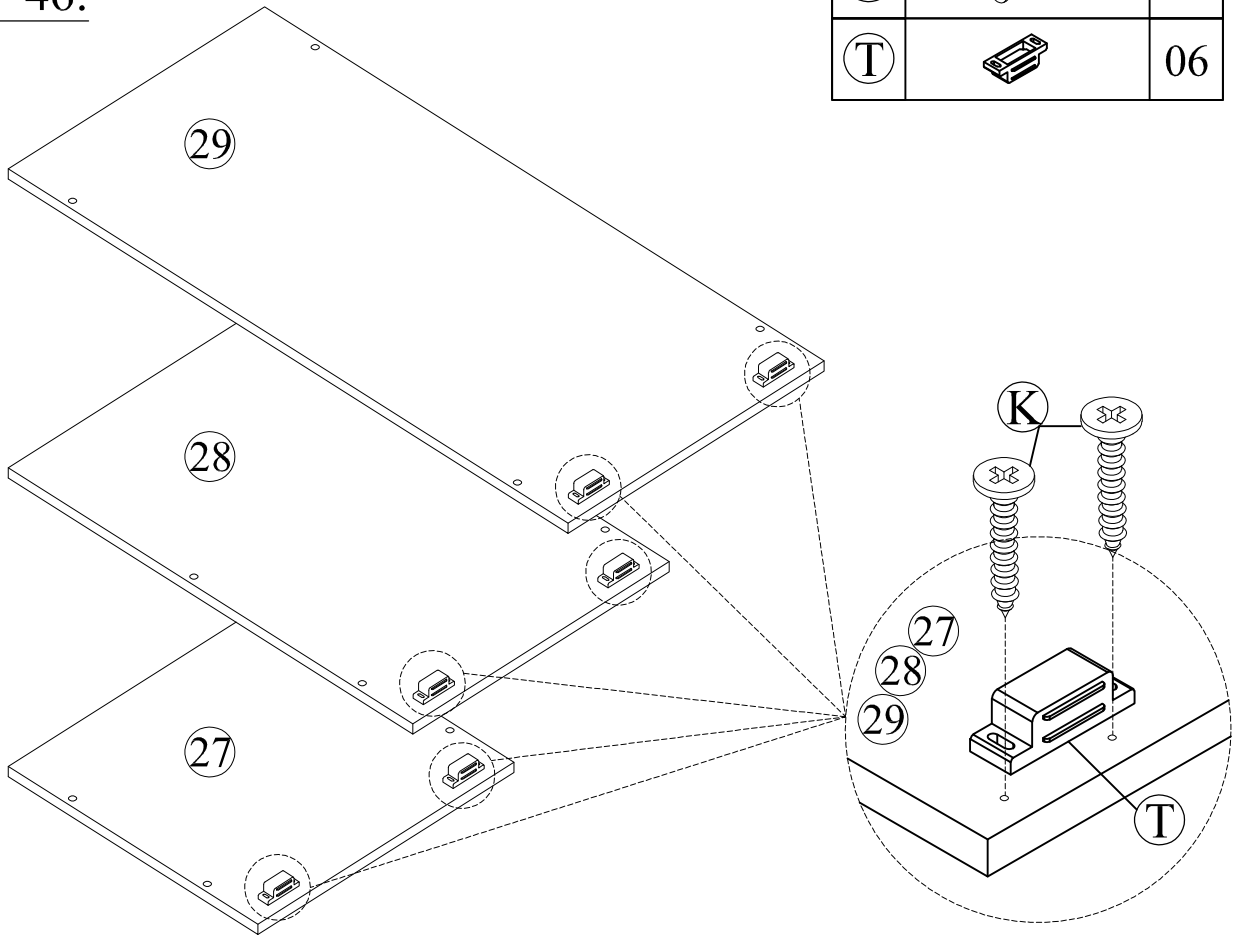


STEP 45:

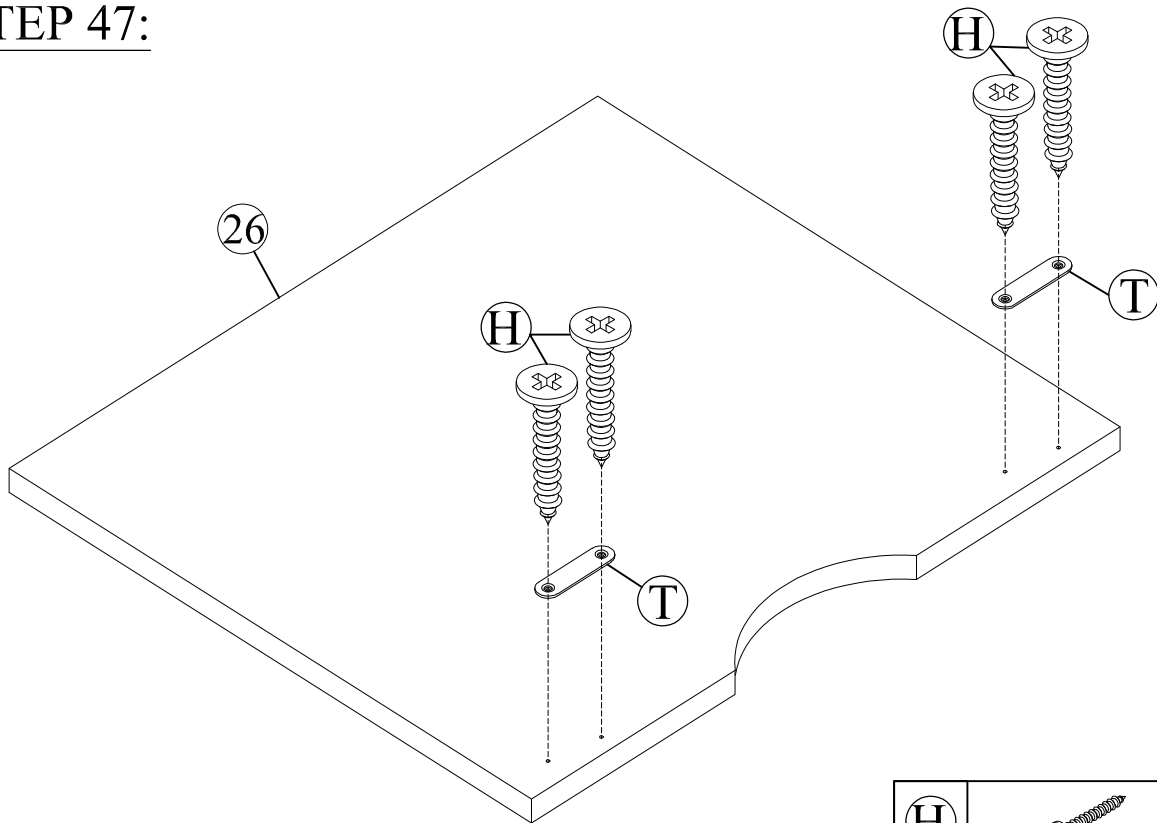




**STEP 46:**

(K)		12
(T)		06



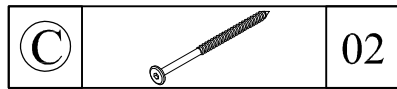
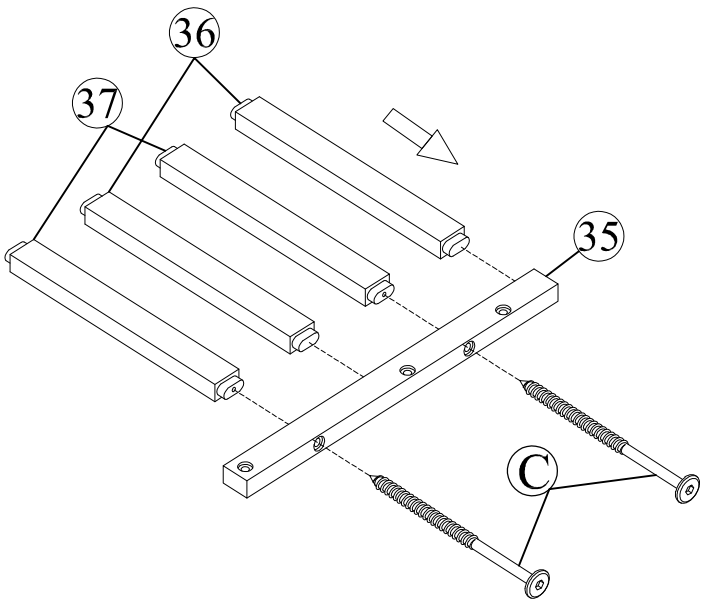
**STEP 47:**



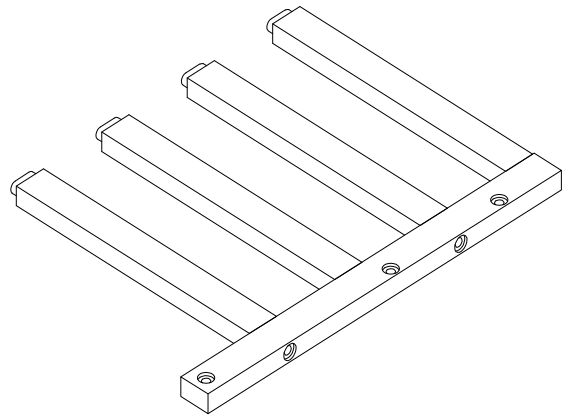
(H)		12
(T)		06

X3

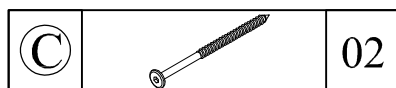
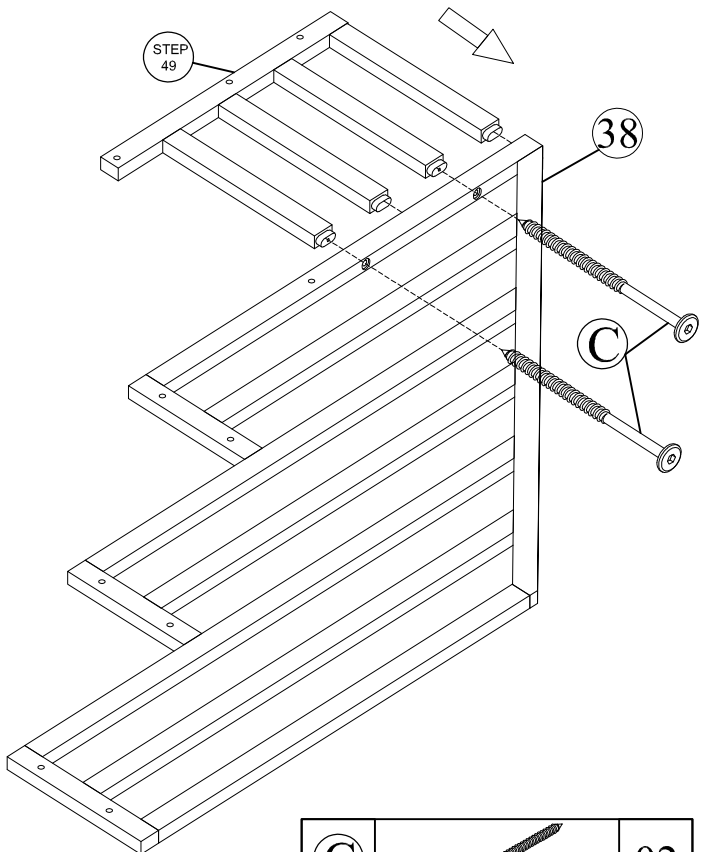
**STEP 48:**



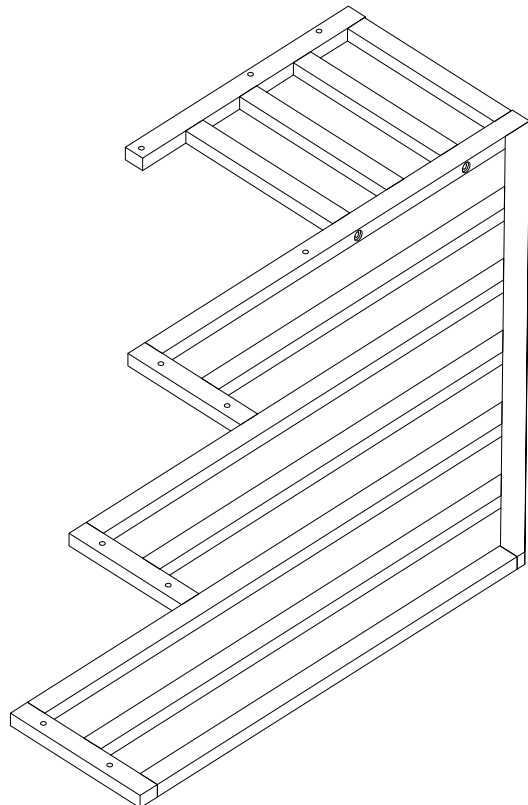
**STEP 49:**



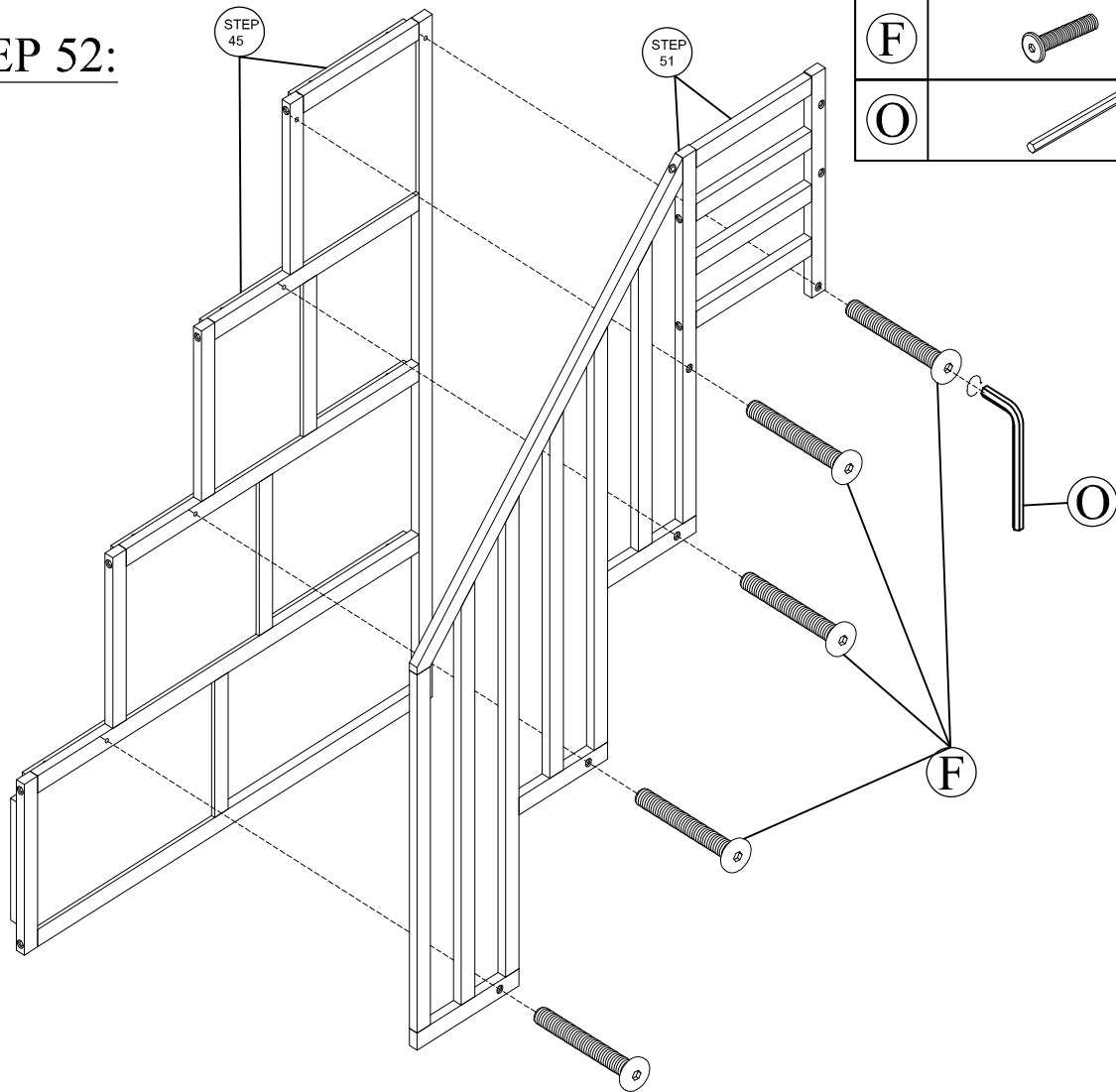
**STEP 50:**



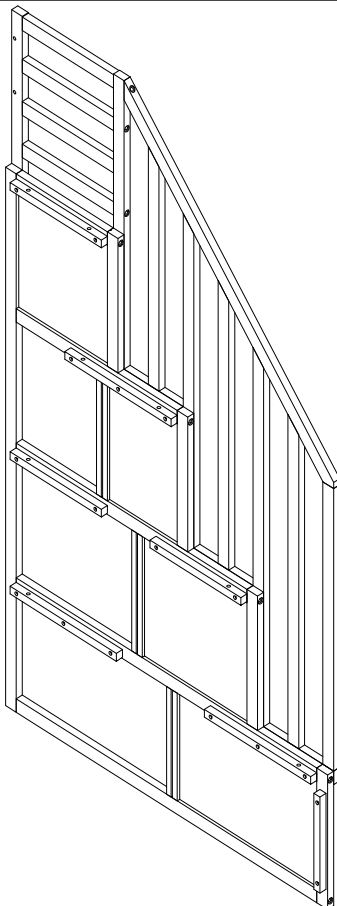
**STEP 51**



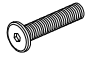
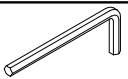
STEP 52:

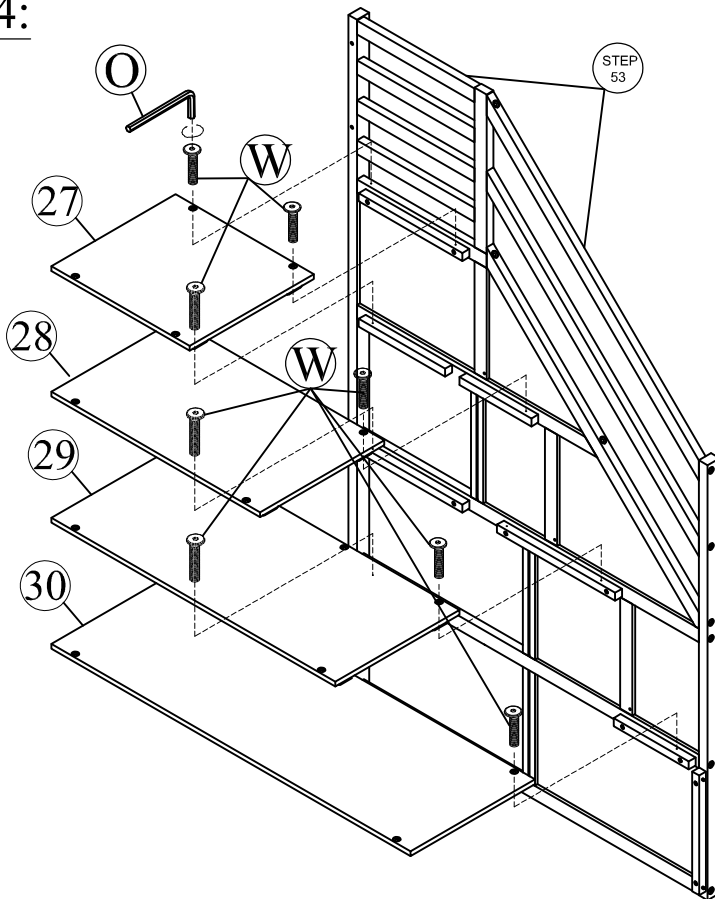


STEP 53:

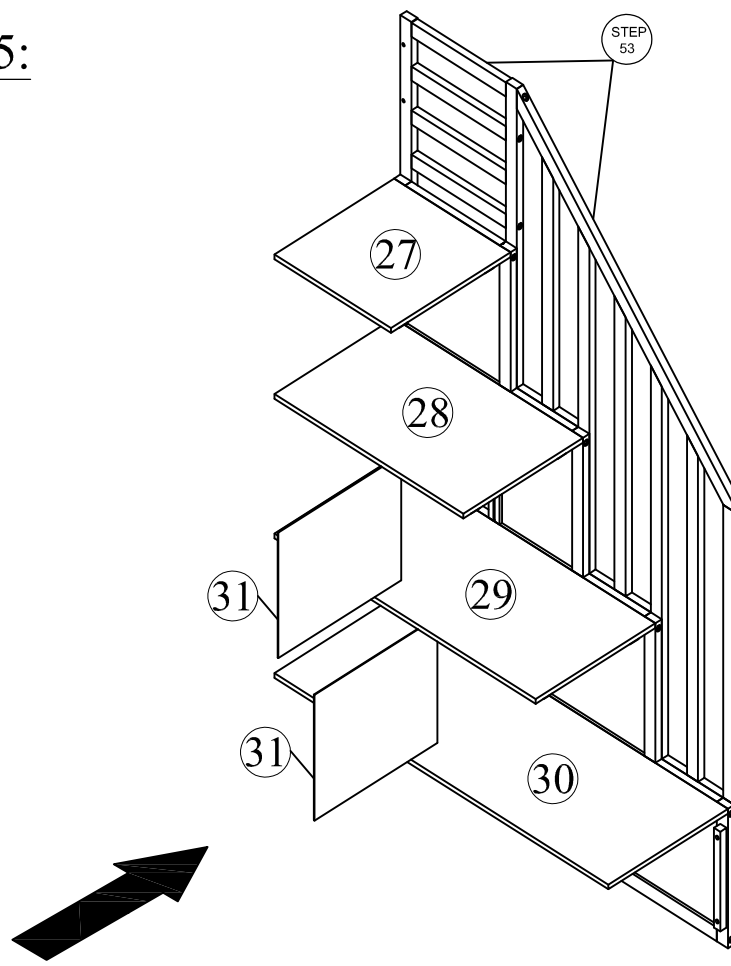


STEP 54:


W		08
O		01

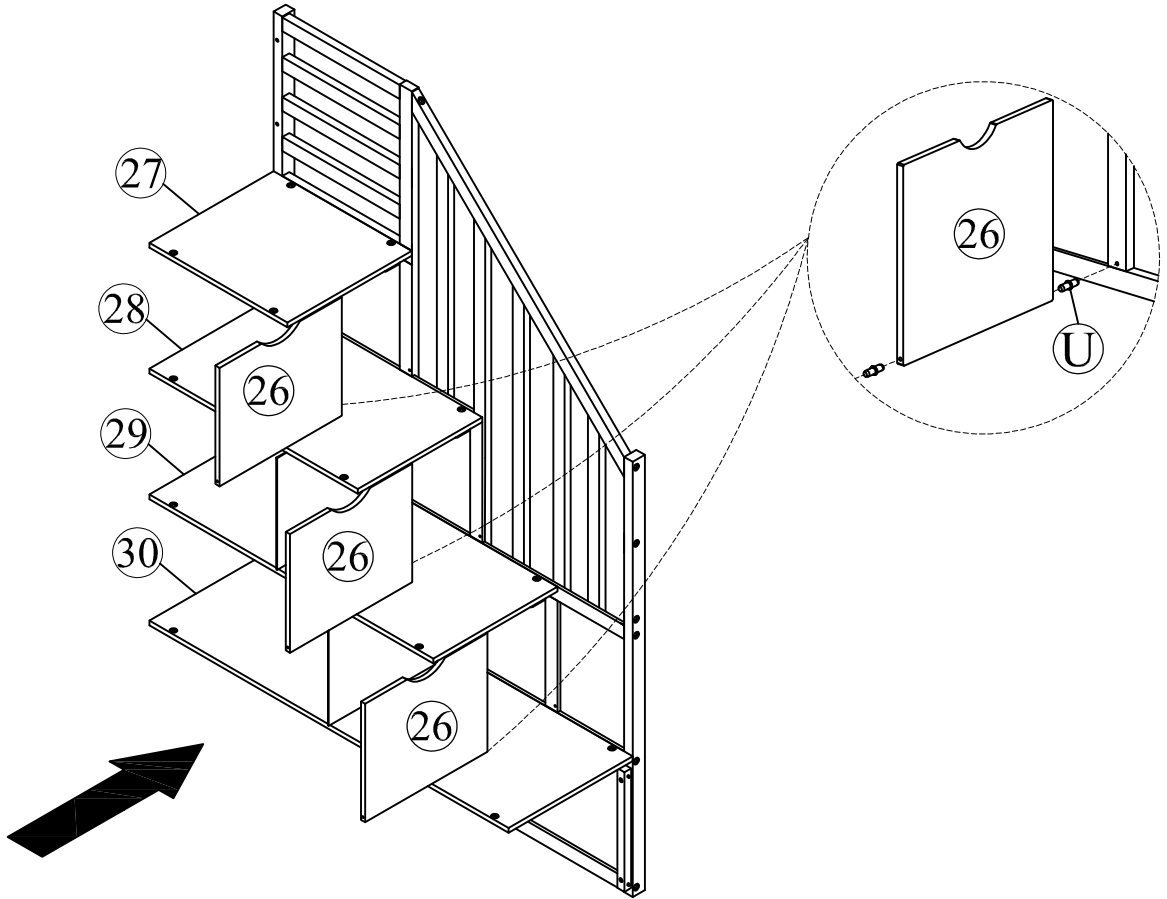


STEP 55:

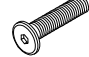
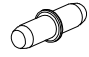



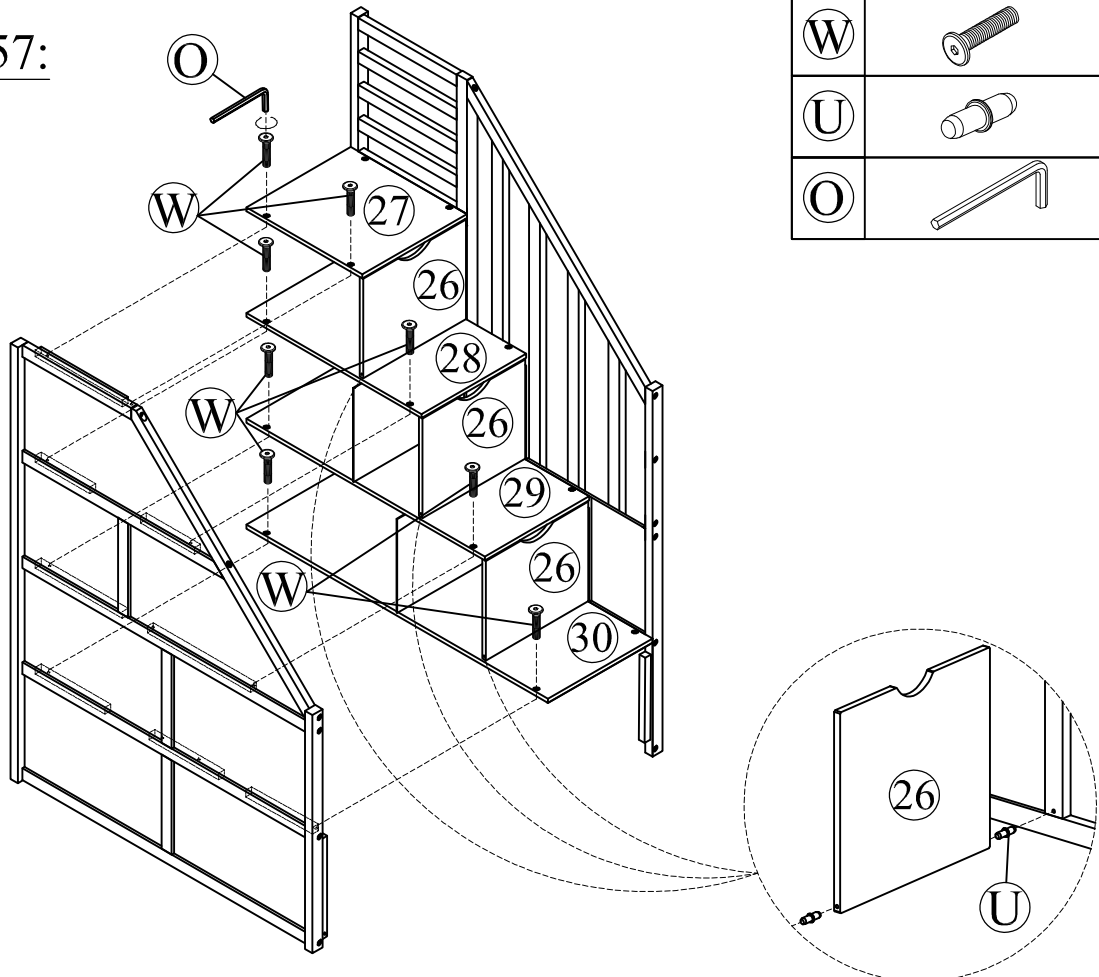
**STEP 56:**

U		03
---	---	----




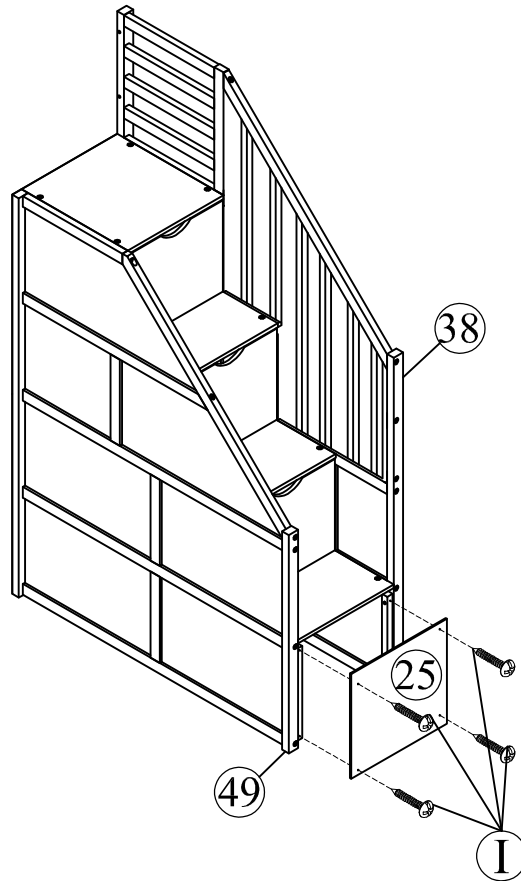
**STEP 57:**

W		08
U		03
O		01

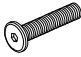
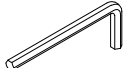


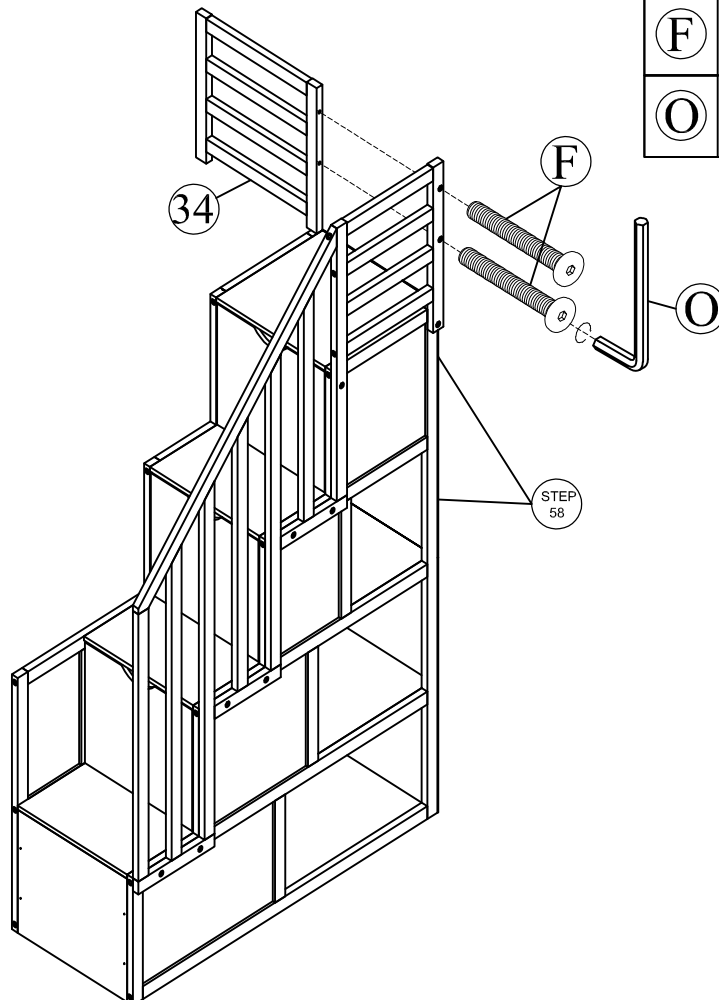
STEP 58:

I		04
---	---	----

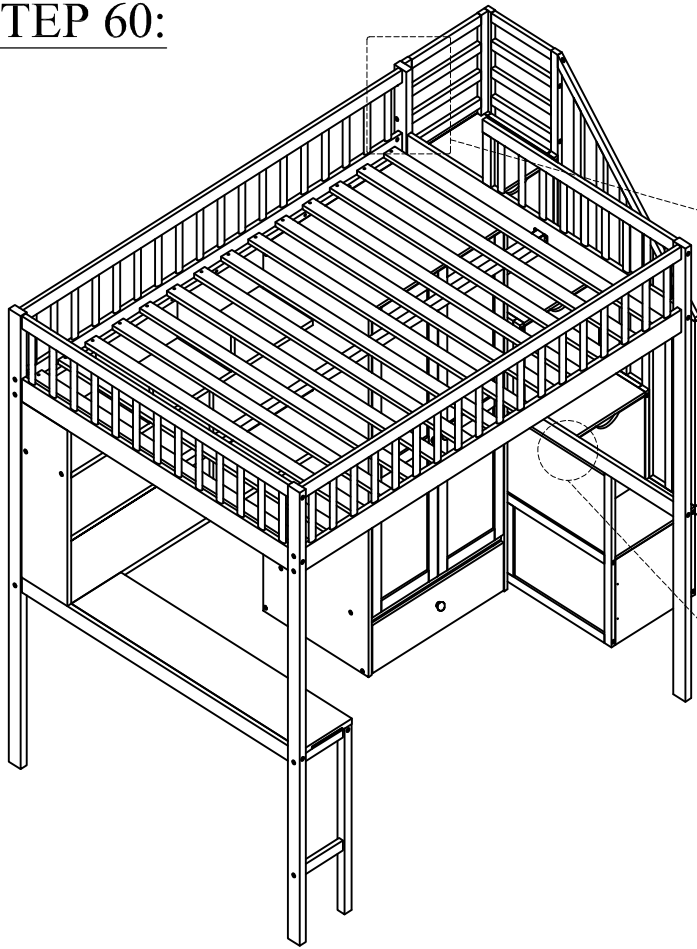


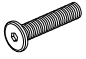
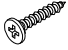

STEP 59:

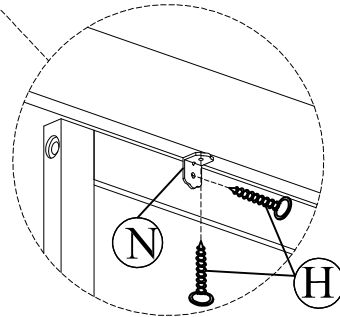
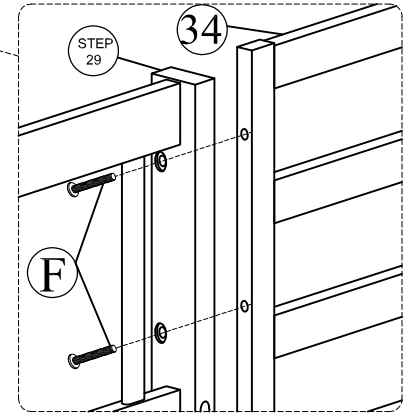
F		02
O		01



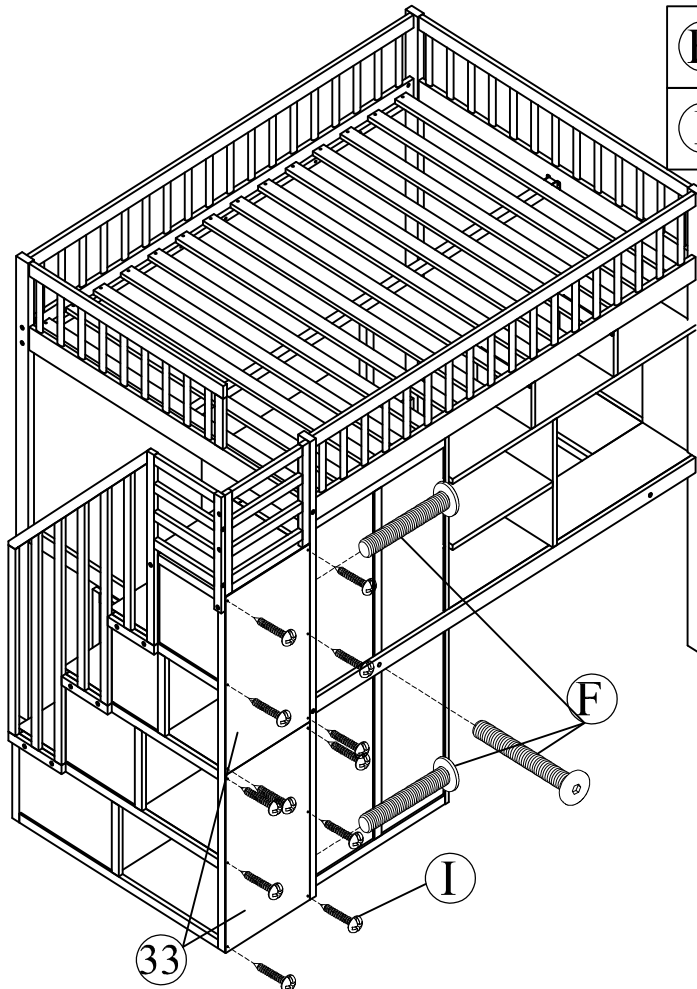
**STEP 60:**

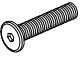



(F)		02
(H)		02
(N)		01



**STEP 61:**



(F)		03
(I)		12

FINAL:

