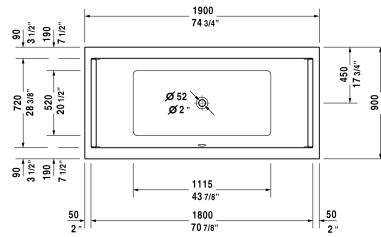
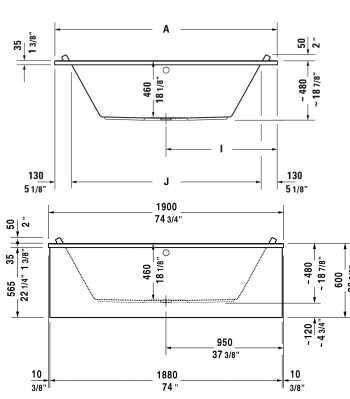
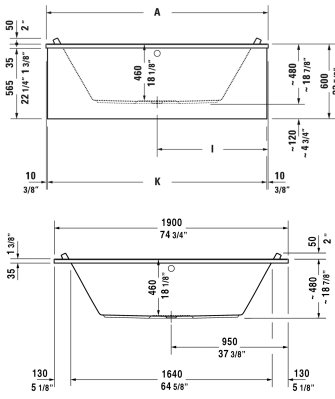


	A	B	C	D	E	F	G	H	I	J
700340	74 3/4"	35 3/8"	74 3/4"	35 3/8"	74 3/4"	35 3/8"	74 3/4"	35 3/8"	74 3/4"	35 3/8"



Bathtub	Dimension	Weight	Order number
rectangle, drop-in or for panel, with two backrest slopes, cUPC® listed*, Sanitary acrylic , Filling capacity 83.5 gal			
Colors			
00 White			
Variant			
incl. support frame, Base tub	74 3/4" x 35 3/8" Inch	74.1 lb	70034000000090
Infobox			
* Complies with the following standards: CSA B45.5/IAPMO Z124			
Suitable panels			
Panel for niche (alcove), for # 700340 (74 3/4" x 35 3/8")	74 3/8" Inch		ST8941
Panel for back-to-wall, for # 700340 (74 3/4" x 35 3/8")	35" x 74" Inch		ST8902
Panel for corner right, for # 700340 (74 3/4" x 35 3/8")	35" x 74 3/8" Inch		ST8904
Panel for corner left, for # 700340 (74 3/4" x 35 3/8")	35" x 74 3/4" Inch		ST8906
Suitable products			
Tile flange ,			790112

Starck Tubs/Shower trays Bathtub # 700340000000090

|< 74 3/4" Inch >|

Cable-driven waste and overflow ,	790219
Bathtub anchors for mounting and support of bathtubs and shower trays, 3 pieces,	790103
Acrylic panel front, for Starck Bathtubs, 74 3/4",	701069
Acrylic panel sidewise, for Starck Bathtubs, 35 3/8",	701074
Cable-driven waste and overflow brass,	790250
Support frame (included), for bathtubs,	790133
Headrest for Starck, material: polyurethane, White,	790010

All drawings contain the necessary measurements which are subject to standard tolerances. They are stated in inch & mm and are non-binding. Exact measurements, in particular for customized installation scenarios, can only be taken from the finished ceramic piece.