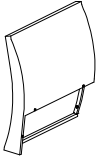

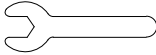
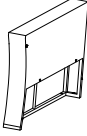

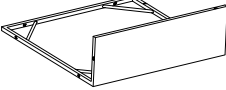

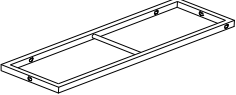

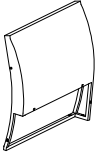
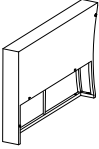
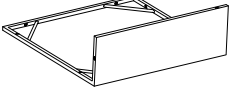
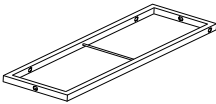




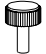

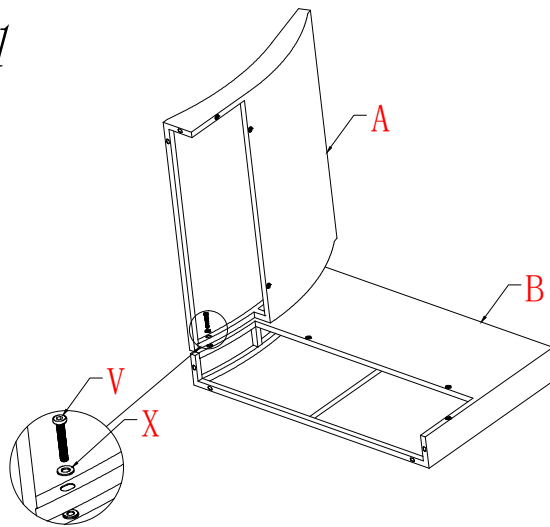


ASSEMBLY INSTRUCTIONS

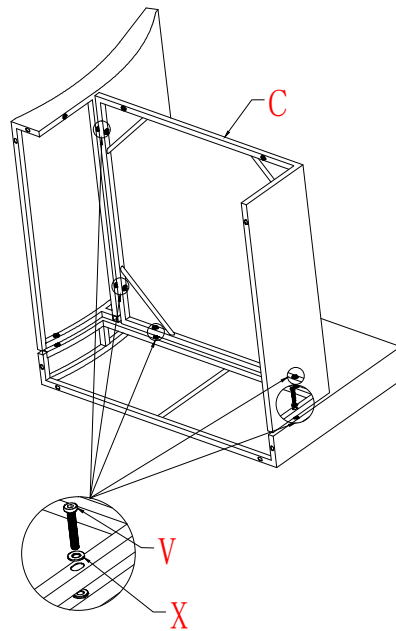
A		1	1		1
			10		M8
B		1			2
				63*63*8CM	
C		1			2
				37*66*10CM	
D		1	<p style="color: red; margin: 0;">Notice:</p> <p style="color: red; margin: 0;">1. Remove the sponge from the cushion when washing.</p> <p style="color: red; margin: 0;">2. Hand wash only. The washing machine and brush harm the fabric.</p> <div style="text-align: center; margin: 10px 0;">  </div> <div style="border: 1px solid black; padding: 10px; margin: 10px 0;"> <p style="margin: 0;">!</p> <p style="margin: 0;">For successful installation, When installation, please do not tighten the screws once, when the screws are all installed, a unified tighten all the screws.</p> </div>		
E		1			
F		1			
G		1			
H		1			
U		8			
V		M6*35	20		
W		M6*110	2		
X			22		
Y			8		
Z		M8	16		

ASSEMBLY INSTRUCTIONS

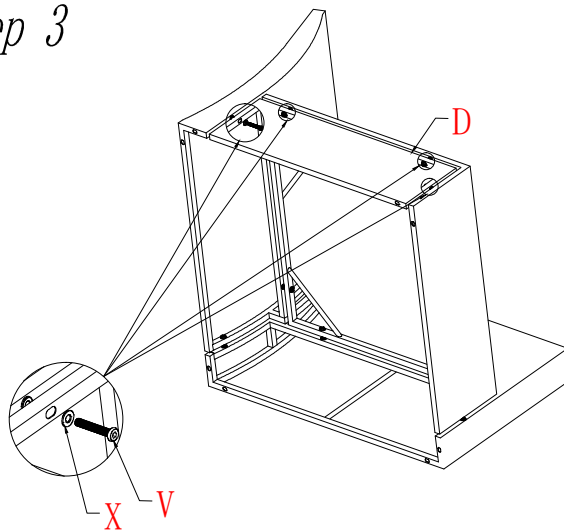
Step 1



Step 2

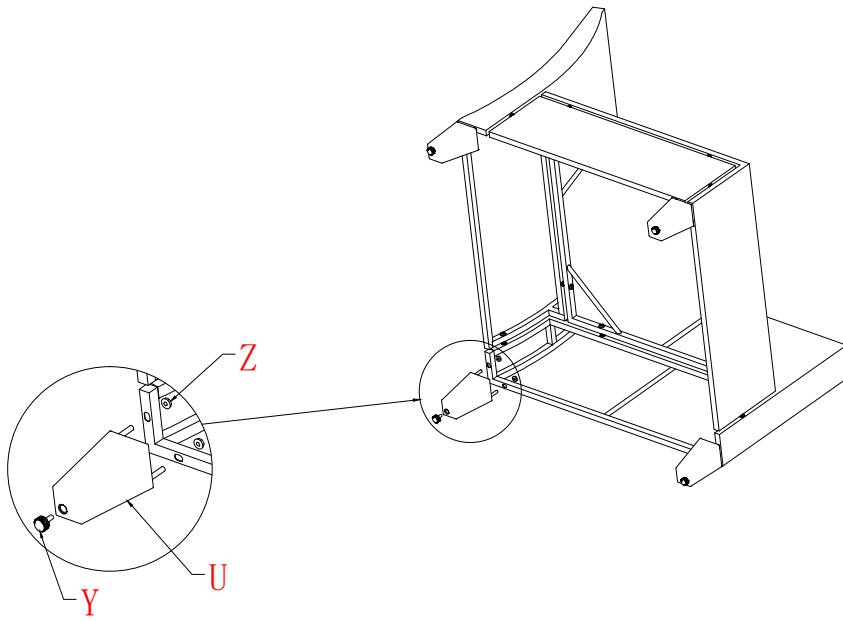


Step 3

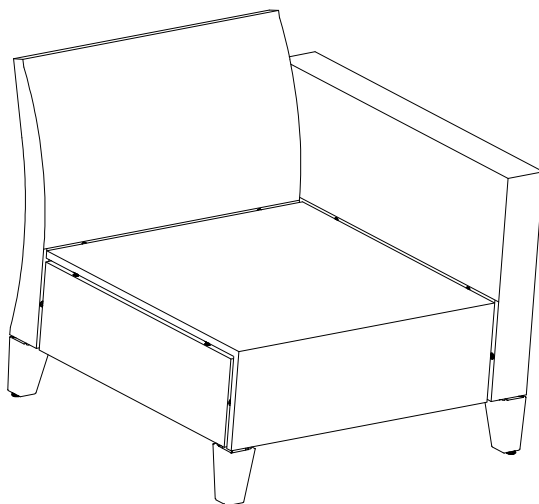
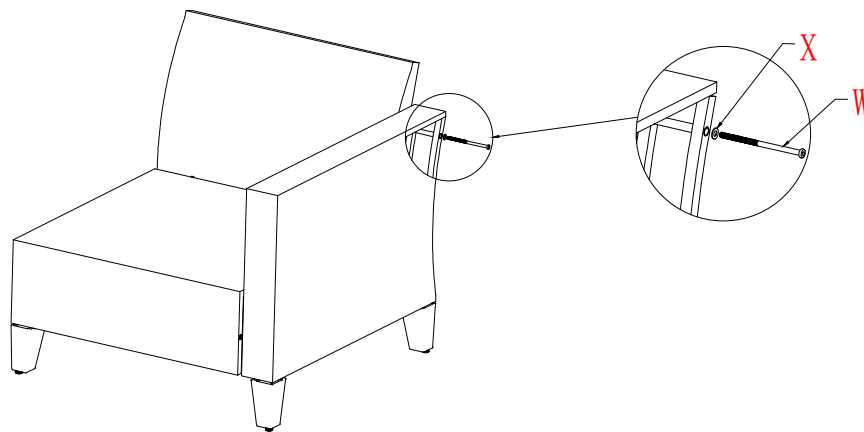


ASSEMBLY INSTRUCTIONS

Step 4

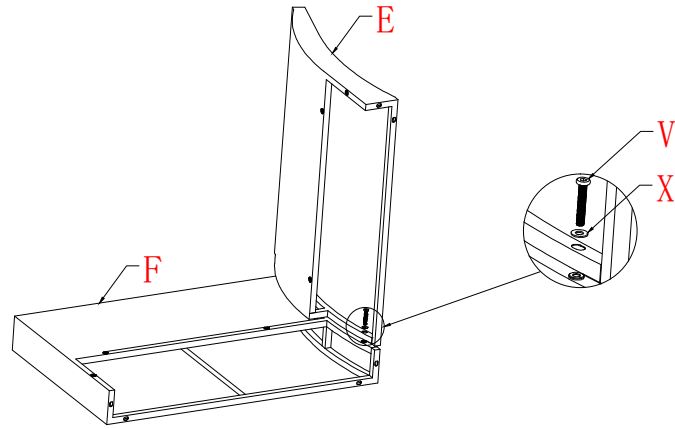


Step 5

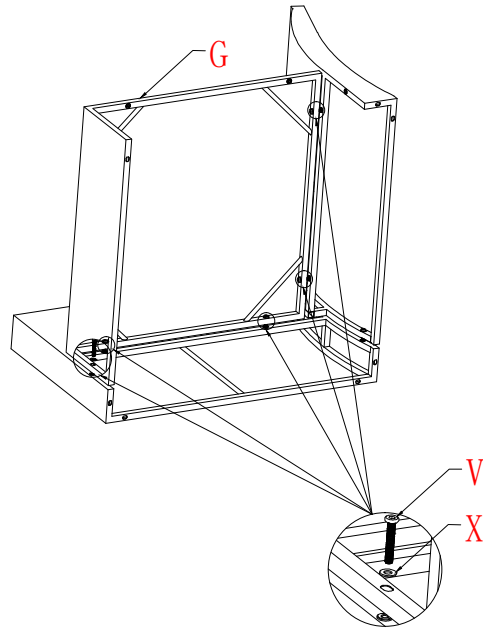


ASSEMBLY INSTRUCTIONS

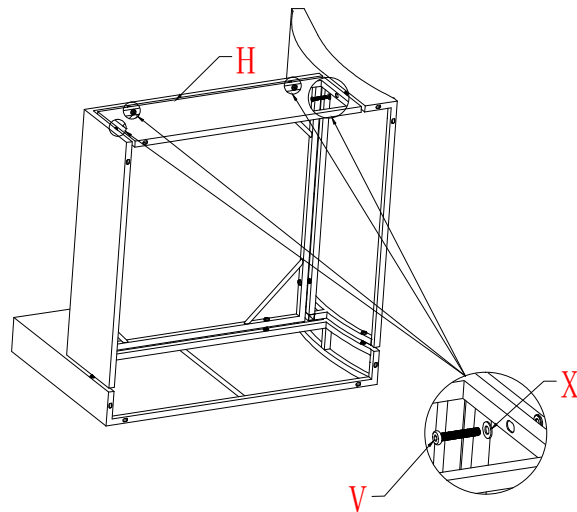
Step 1



Step 2

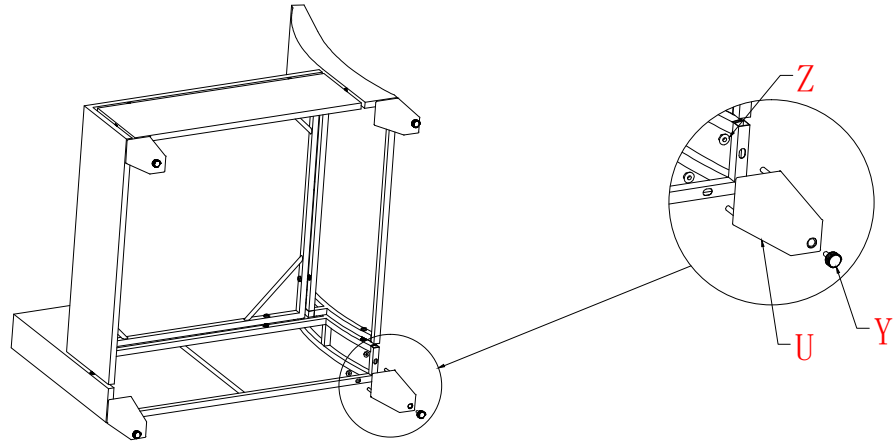


Step 3

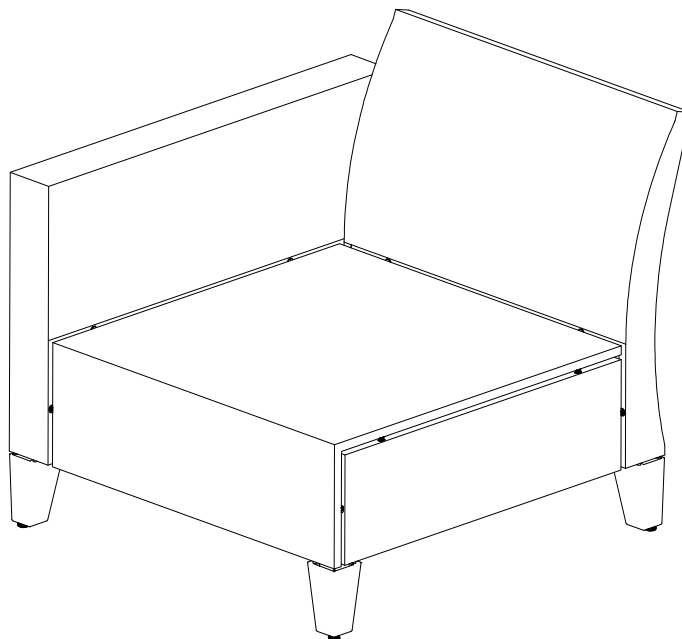
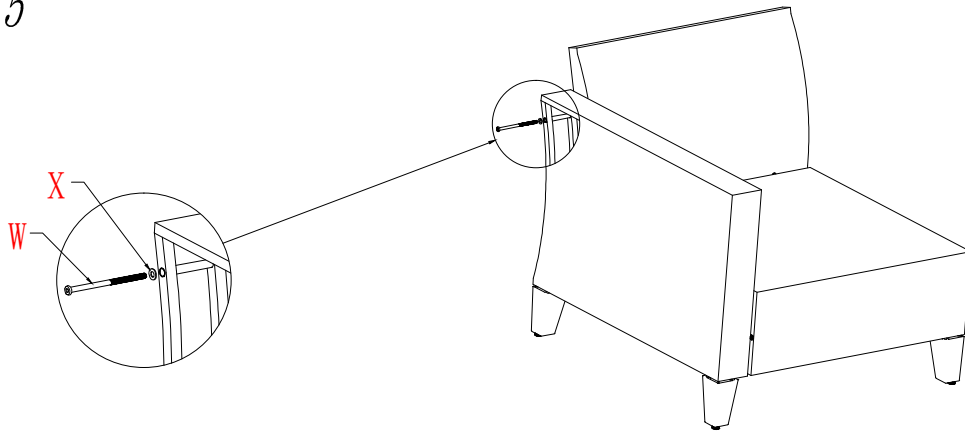


ASSEMBLY INSTRUCTIONS

Step 4



Step 5



1

The cushion can be fastened to the rattan with the effective horn button.



2

Open the rattan and fasten the horn button to a chosen position.



3

Attached to a spare tape, the horn button allows the cushion to move freely.



4

Contact us for any further problems concerning the item.

