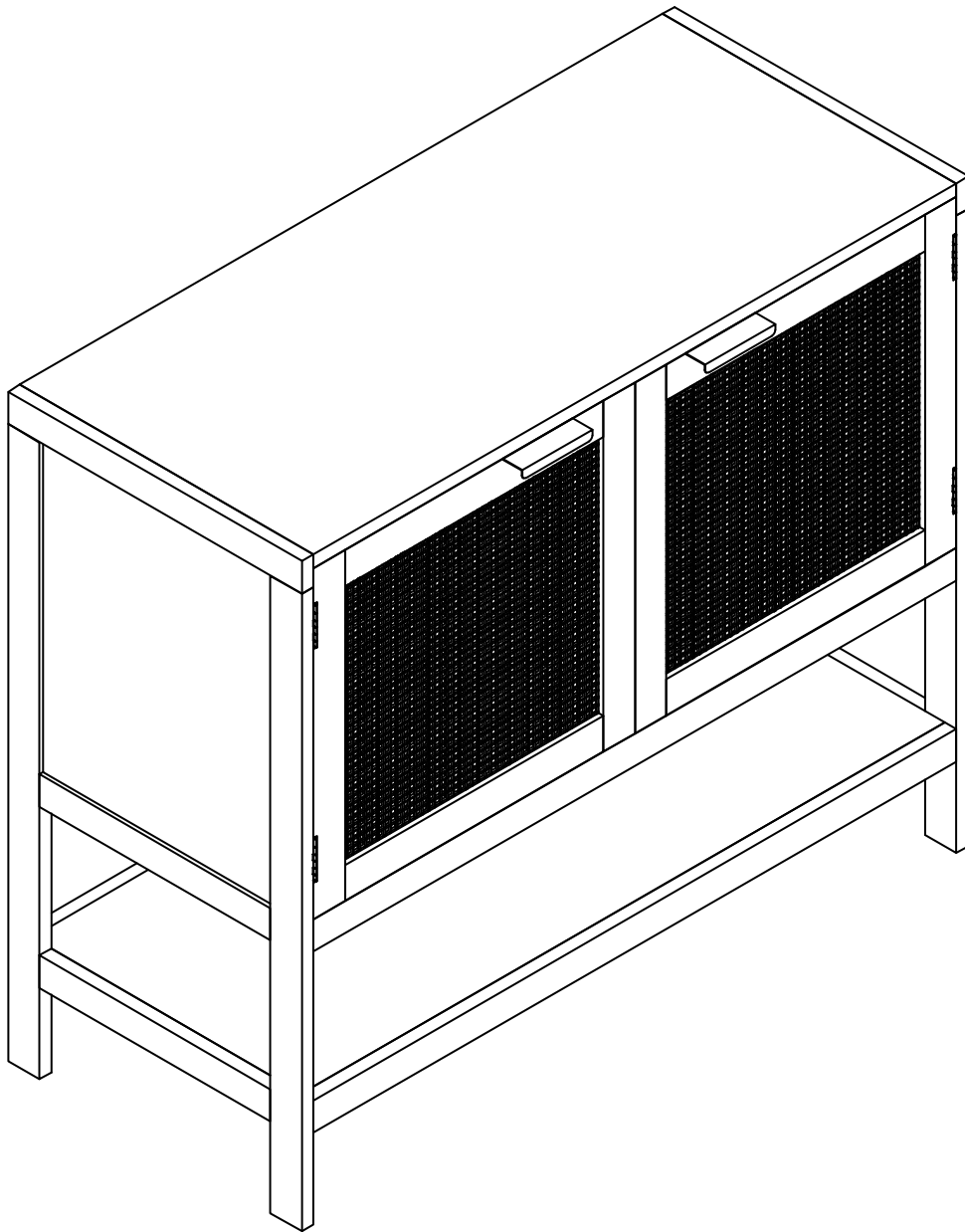
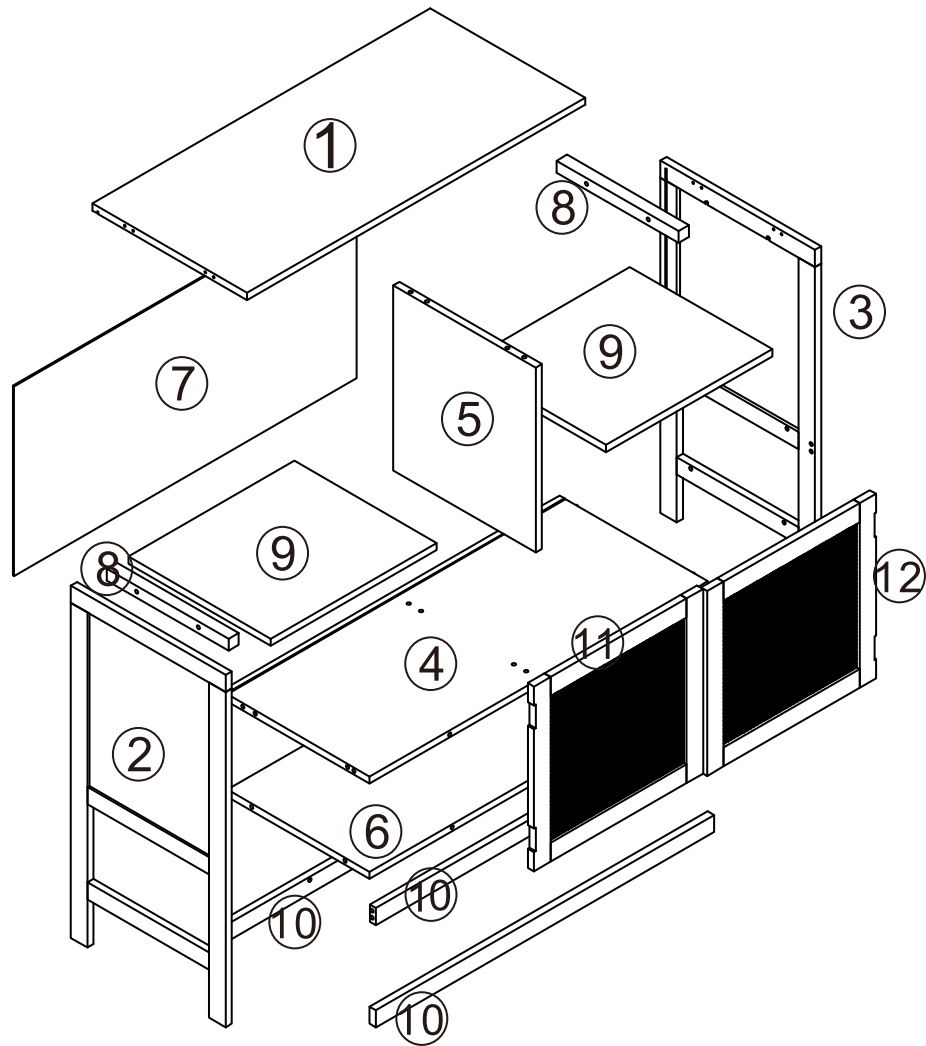



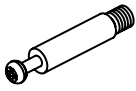
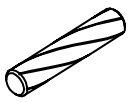
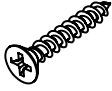

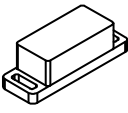
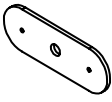
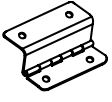
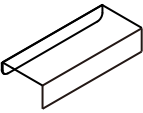
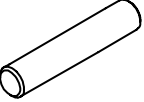
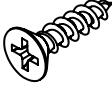
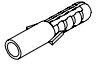




2406557

ASSEMBLY INSTRUCTIONS

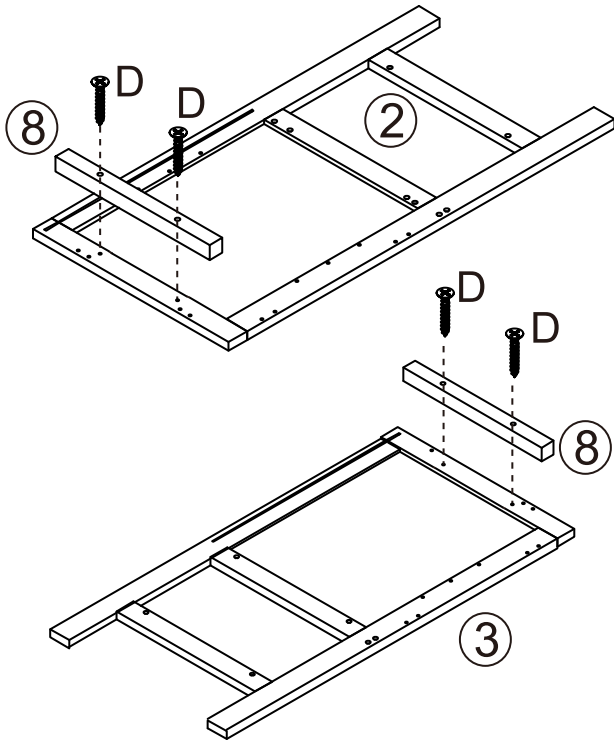
<<Before assembling, read all the instructions>>





			
Ax26	Bx26	Cx22	Dx6
			
Ex22	Fx2	Gx2	Hx4
			
Ix2	Jx8	Kx4	Lx2
			
Mx2	Nx2	Ox2	Px4

Step 1

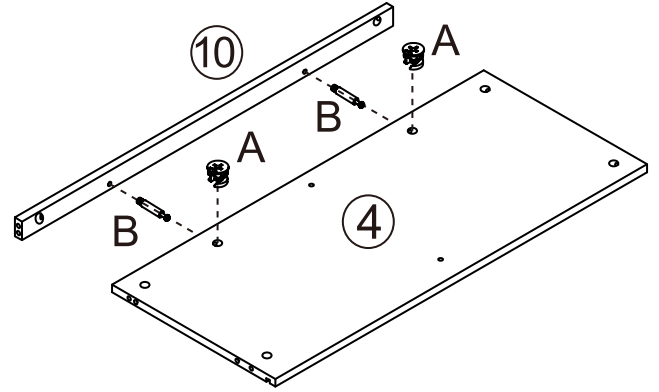


Connect Part 8 to 2&3 with four Hardware D



Dx4

Step 2



Connect Part 10 to 4 with two Hardware A/B



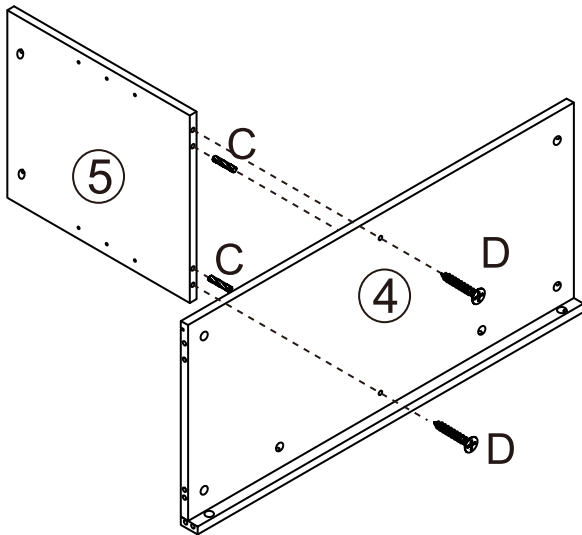
Ax2



Bx2

Step 3

Connect Part 5 to 4 with two Hardware C/D



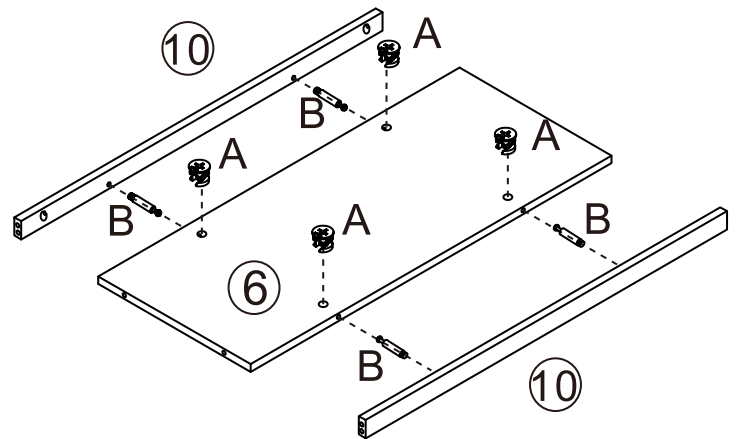
Cx2



Dx2

Step 4

Connect two Part 10 to 6 with four Hardware A/B



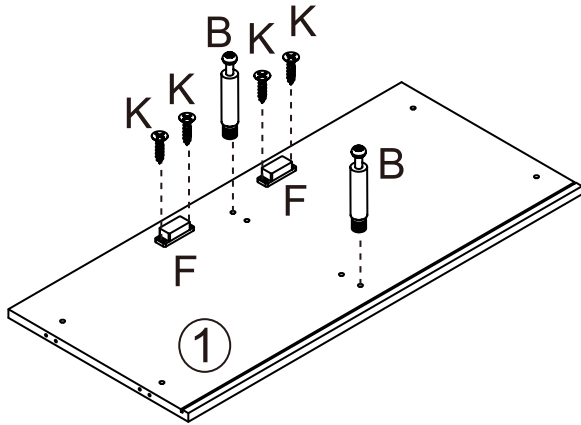
Ax4






Bx4

Step 5

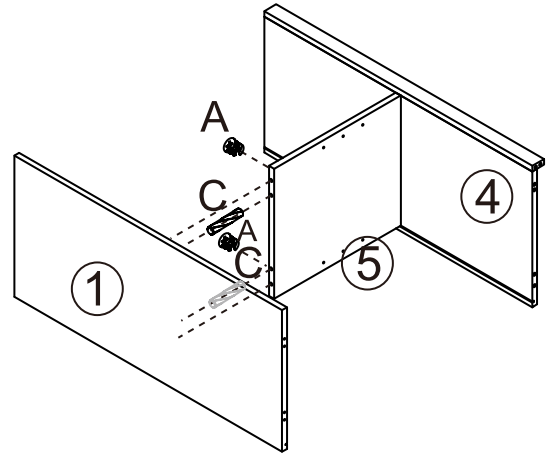
Fix two Hardware F to Part 1 with four Hardware K
 Fix one Hardware B to Part 1





	BX2		
	KX4		FX2

Step 6

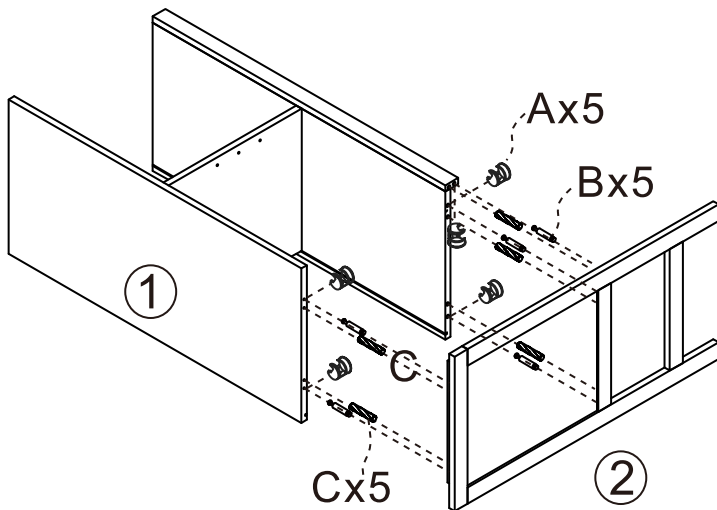
Connect Part 1 to 5 with two Hardware A/C






	AX2		
	CX2		

Step 7

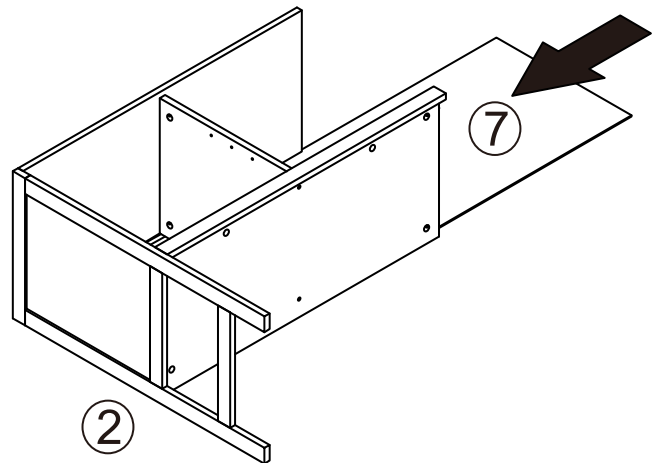
Connect Part 2 to 1&4 with five Hardware A/B/C



	Ax5		
	Bx5		Cx5

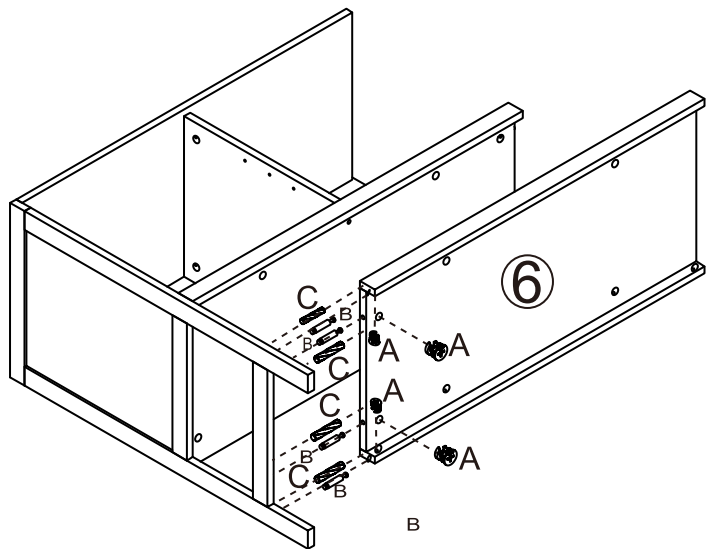
Step 8

Slide Part 7 along slots of Part 1&4



Step 9

Connect Part 6 to 2 with four Hardware A/B/C



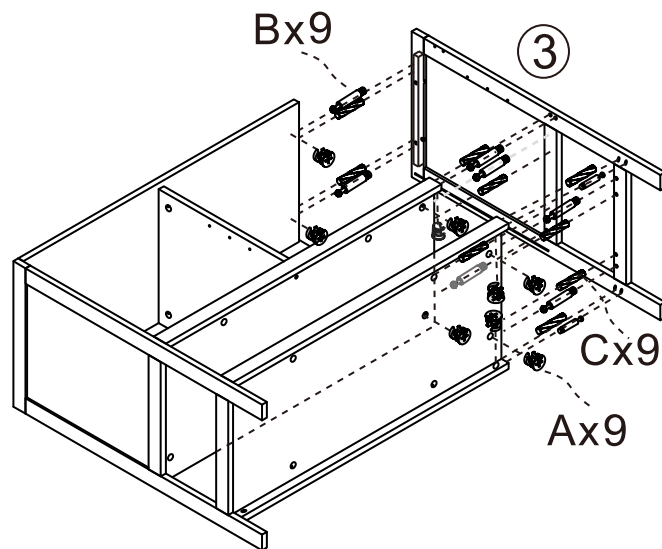
 Ax4

 Bx4

 Cx4

Step 10

Connect Part 3 to 1&4&6 with nine Hardware A/B/C



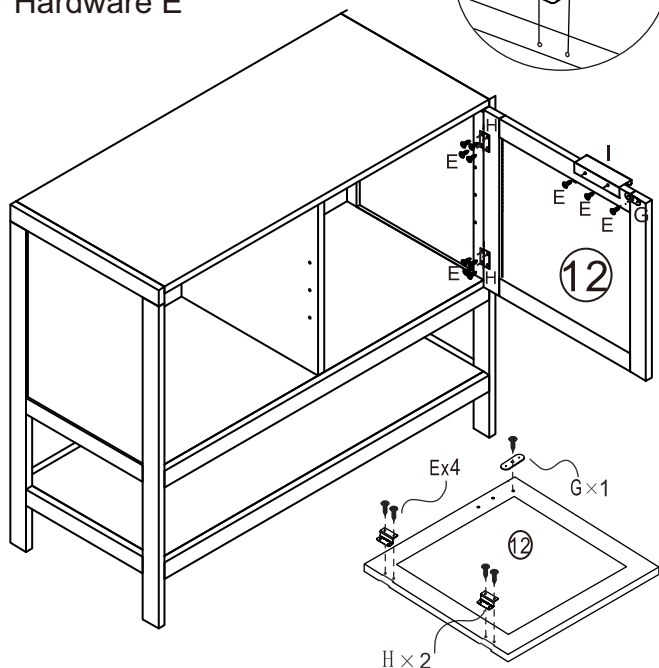
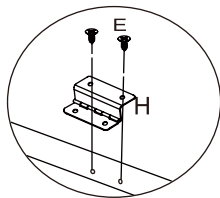
 Ax9

 Bx9

 Cx9

Step 11

Install Hardware G/H/I on Part 12 with seven Hardware E
Connect Part 12 to 3 with four Hardware E



 Ex11

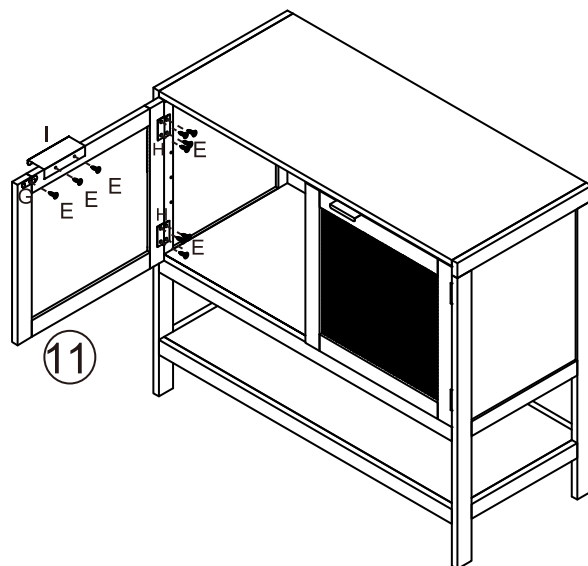
 Gx1

 Hx2

 Ix1

Step 12

Install Hardware G/H/I on Part 11 with seven Hardware E
Connect Part 11 to 2 with four Hardware E



 Ex11

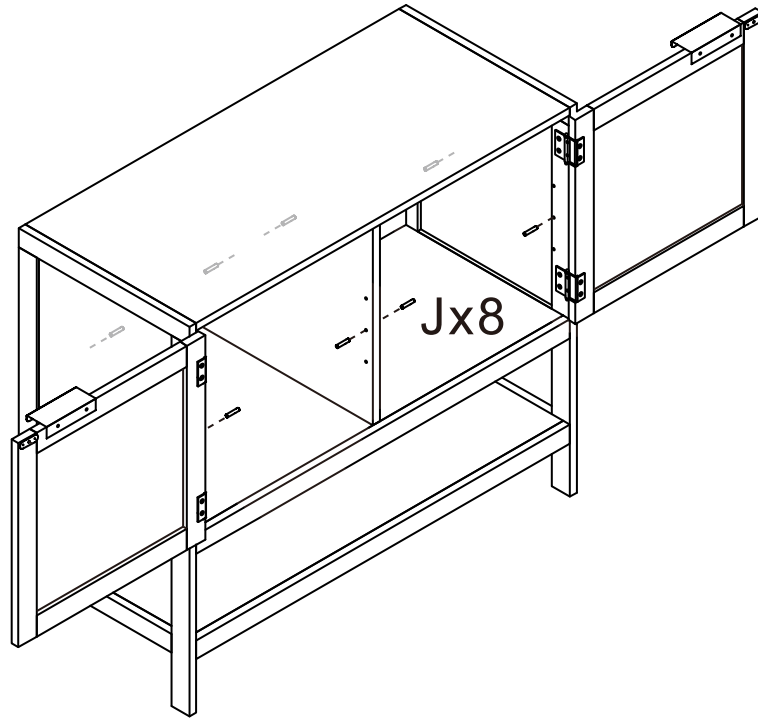
 Gx1

 Hx1

 Ix1

Step 13

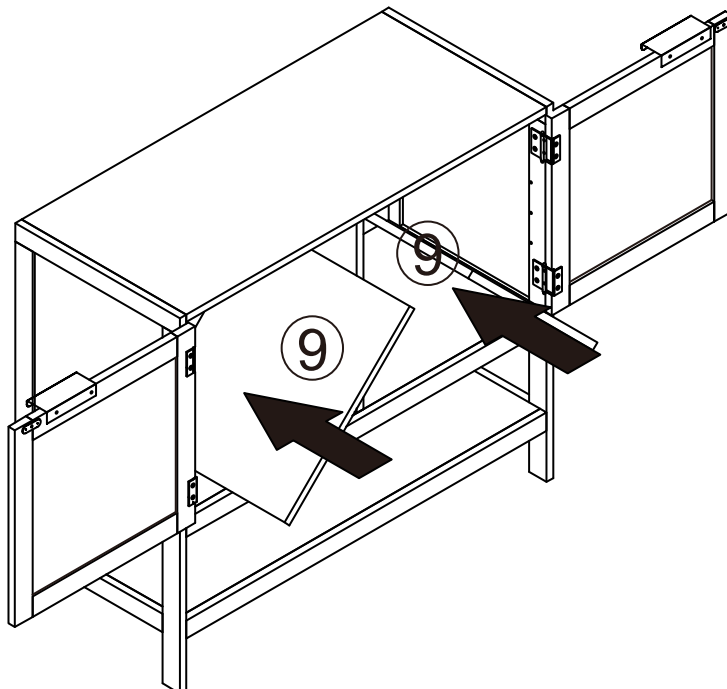
Insert Hardware J into Part 2&5&3



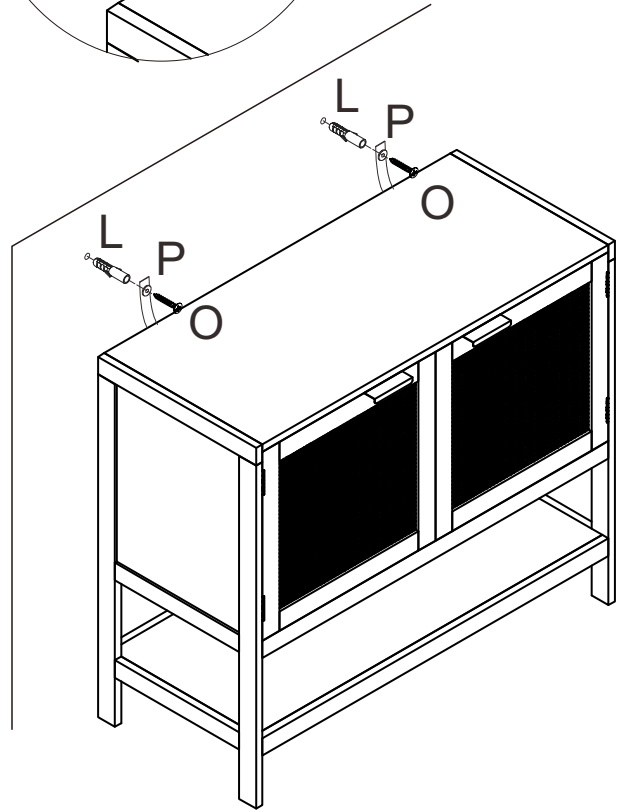
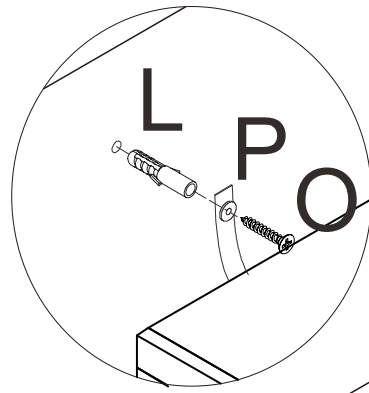
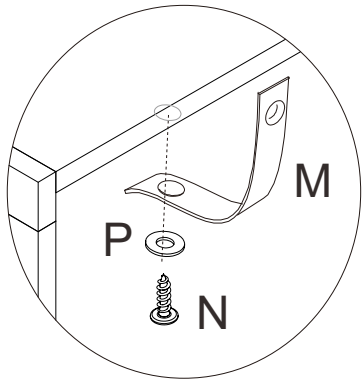
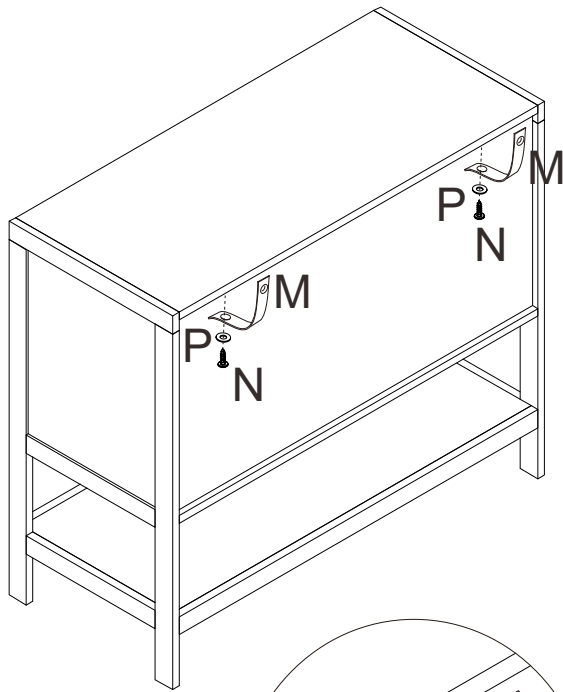
Jx8

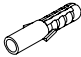

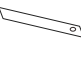


Step 14

Place Part 13 into cabinet



Step 15



	Lx2		Nx2		
	Mx2		Ox2		Px4

SAFETY NOTICE

PREVENT FURNITURE TIP OVER ACCIDENTS

Free Standing Furniture above 600mm in height must be securely attached to the wall to prevent it from tipping over and causing injury.

Please Use the anti-tip restraint provided

One end of this restraint must be secured to the cabinet with the screw(s) provided in the fittings pack.

The other end of the restraint must be attached to the wall with hardware appropriate for that wall type.

Never put a TV or other heavy objects on top of a chest of drawers or any furniture not intended for use with a TV.

Place heavy objects in the lowest drawers or shelves

Never let children climb or hang on drawers, doors or shelves