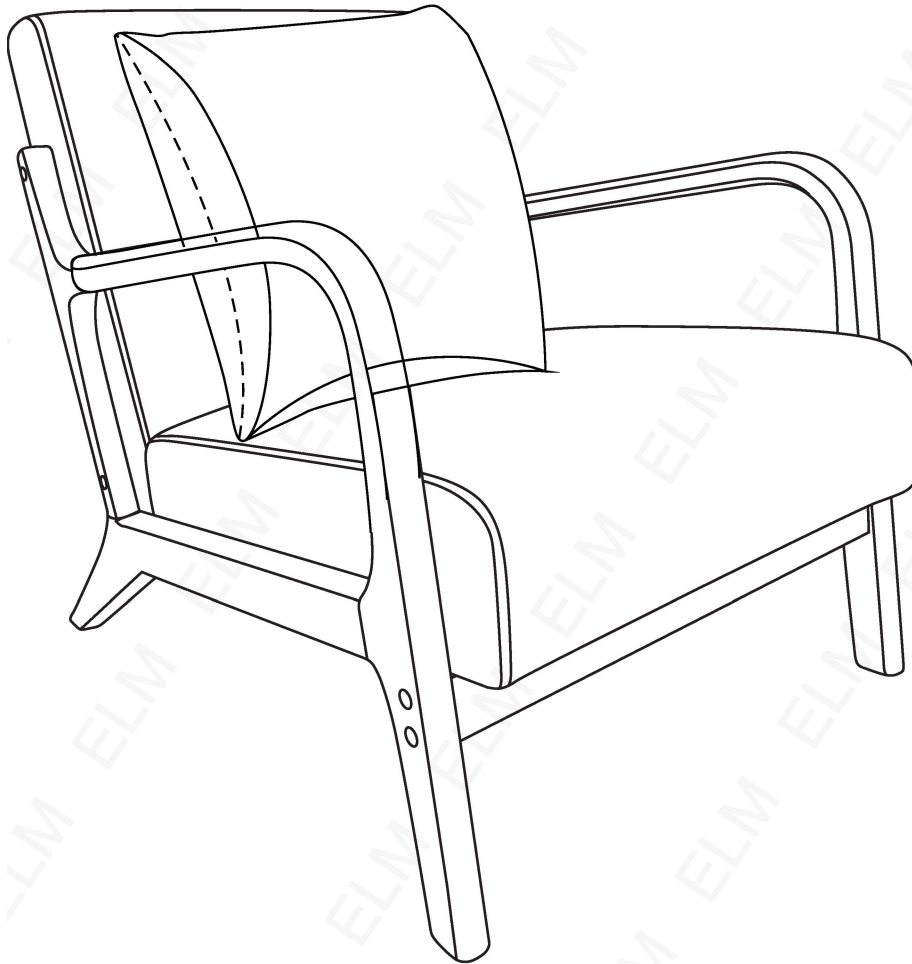


# ASSEMBLY INSTRUCTIONS

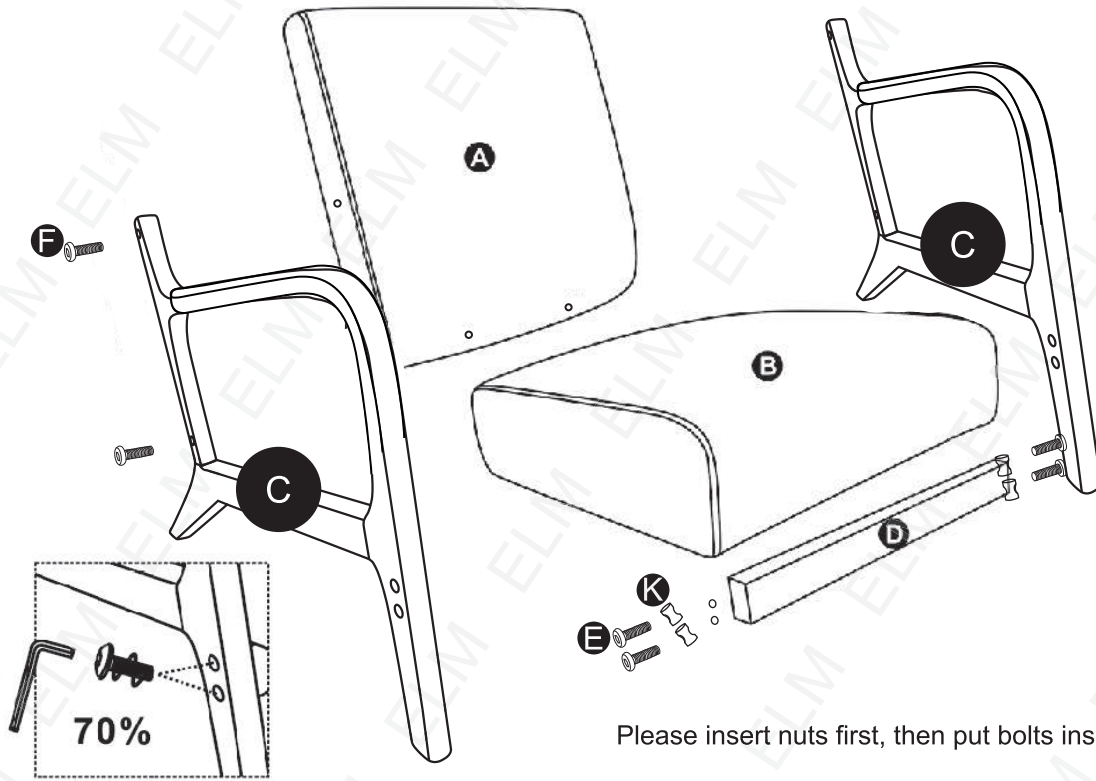
## Accent Chair

Thanks for choosing our product. Please kindly check parts listed below and read this manual carefully, then assemble them step by step. Please feel free to contact us for any questions.



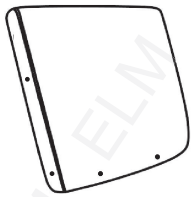

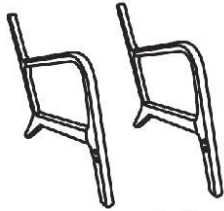






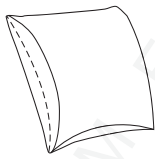

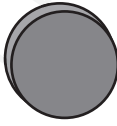
### Attention

1. If any accessories are missing, please kindly send us messages to let us know the number of missing part regarding to the part list of instructions. We will send replacement to you asap.
2. If there is any damage, please send clear photos about damaged part to us as attachment, we will check and offer you best solution soon.
3. We are concerned about each customer's experience, please feel free to contact us if you have any problems, issues or concerns, we will provide effective solutions.



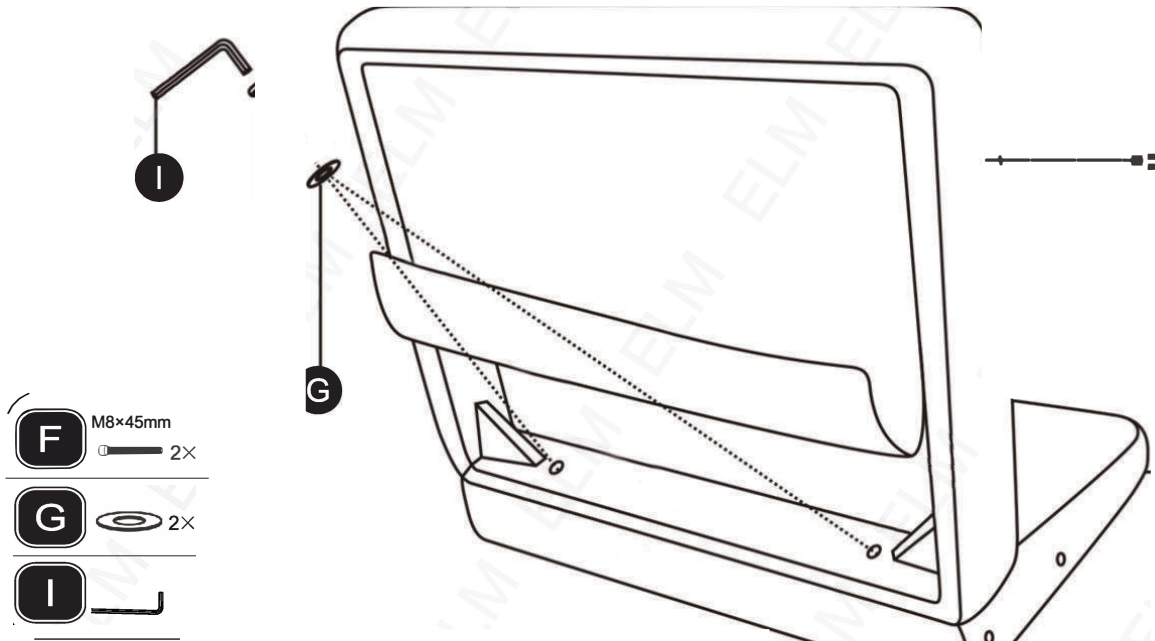
Please insert nuts first, then put bolts inside

\* Please secure all the screws by 70% before completely level the chair.

Parts List			
<b>A</b> X1  Backrest	<b>B</b> X1  Seat	<b>C</b> X2  Armrest	<b>D</b>  Crosspiece
<b>E</b> X4  M8x60mm	<b>F</b> X6  M8x45mm	<b>G</b> X2  MX20mm	<b>H</b> X8  Screw Cover
<b>I</b> X1  Allen Key	<b>M6</b>	<b>J</b>  Pillow	
<b>K</b> X4  Nuts	<b>L</b> X4  Non-slip foot pads		

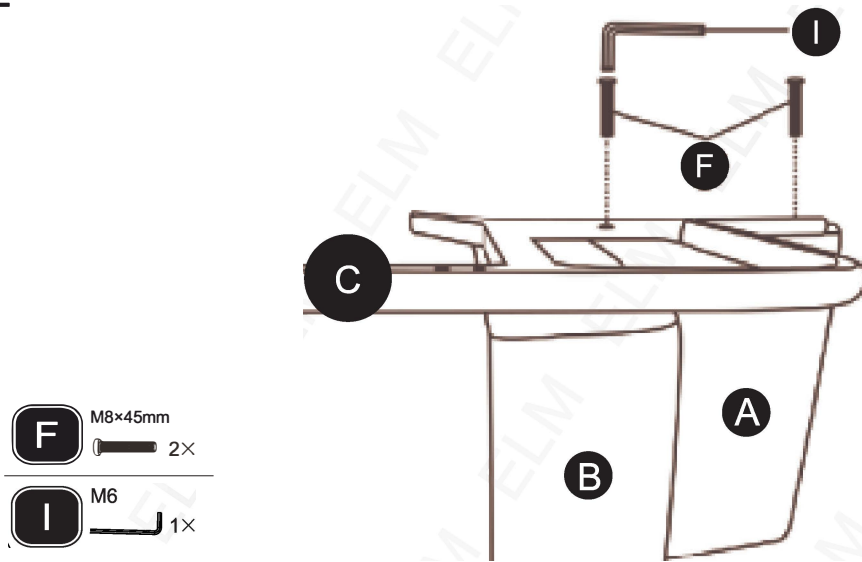
# Accent Chair Assembly Instruction

## STEP1



\* Uncover the black cloth on bottom of Seat [ B ], then connect Seat [ B ] and backrest [ A ] with Screw [ F ], Flat Washer [ G ] by Allen Wrench [ I ].





## STEP2

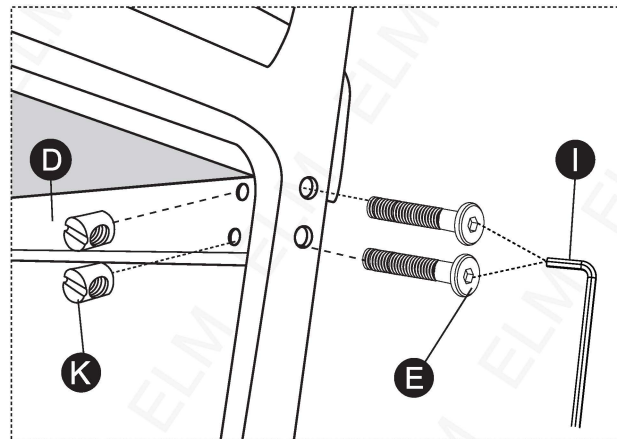
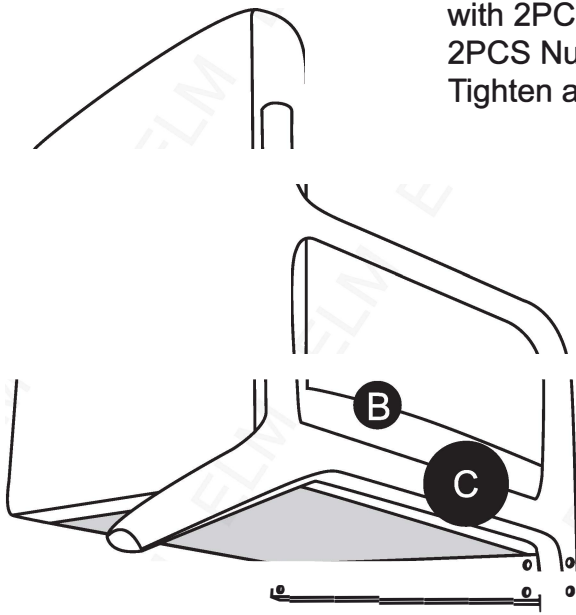


\* Connect Left armrest [ C ] to the Backrest [ A ] with Screw [ F ] and tighten them by 70%.

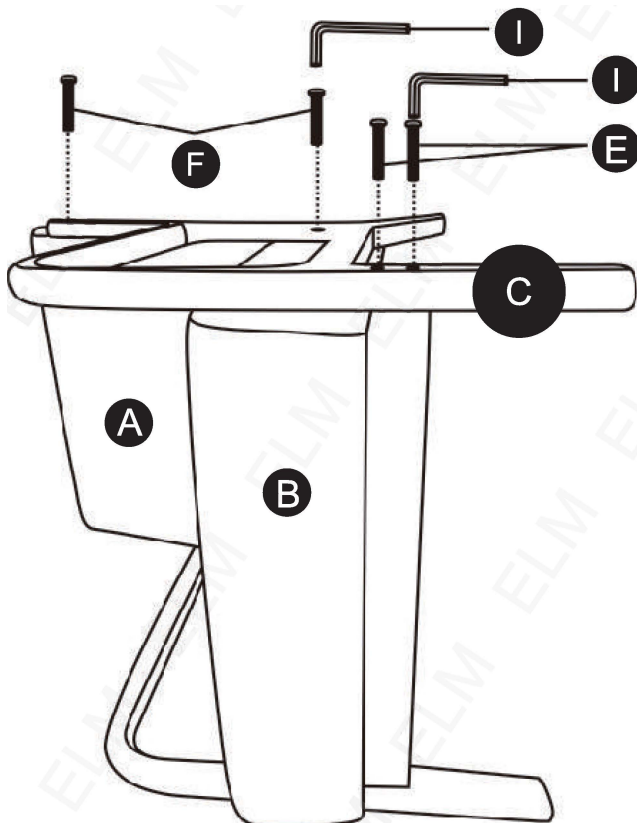
### STEP3





\*Connect the Crosspiece [ D ] and Left Armrest [ C ] with 2PCS screw [ E ] and 2PCS Nut [ K ].  
Tighten all screws to 70%.

<b>E</b>		2X
<b>K</b>		2X
<b>I</b>	M6 	1X
<b>D</b>		1X



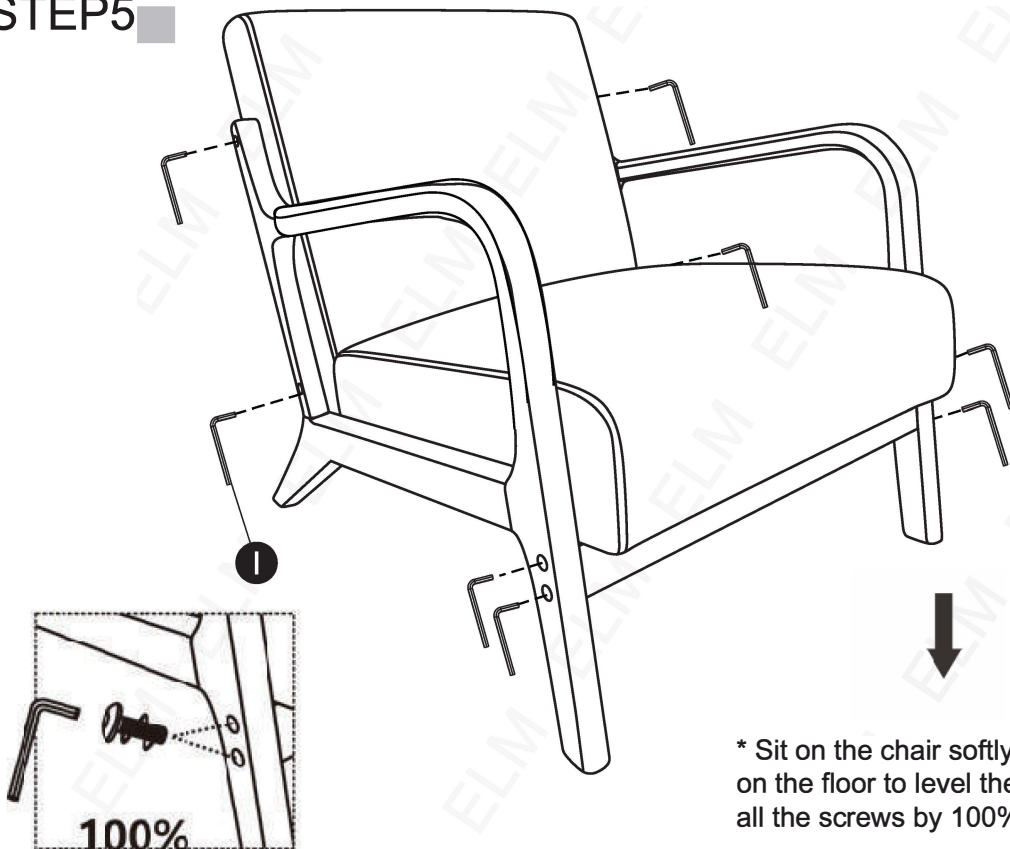
### STEP4



<b>K</b>		2X
<b>I</b>	M6 	1X
<b>E</b>		2X
<b>F</b>		2X

\* Likewise, connect the Right Armrest [ C ] and Backrest [ A ] with 2PCS screw [ F ], then connect the Crosspiece [ D ] and Right Armrest [ C ] with 2PCS screw [ E ] and 2PCS Nut [ K ]. Tighten all screws to 70%.

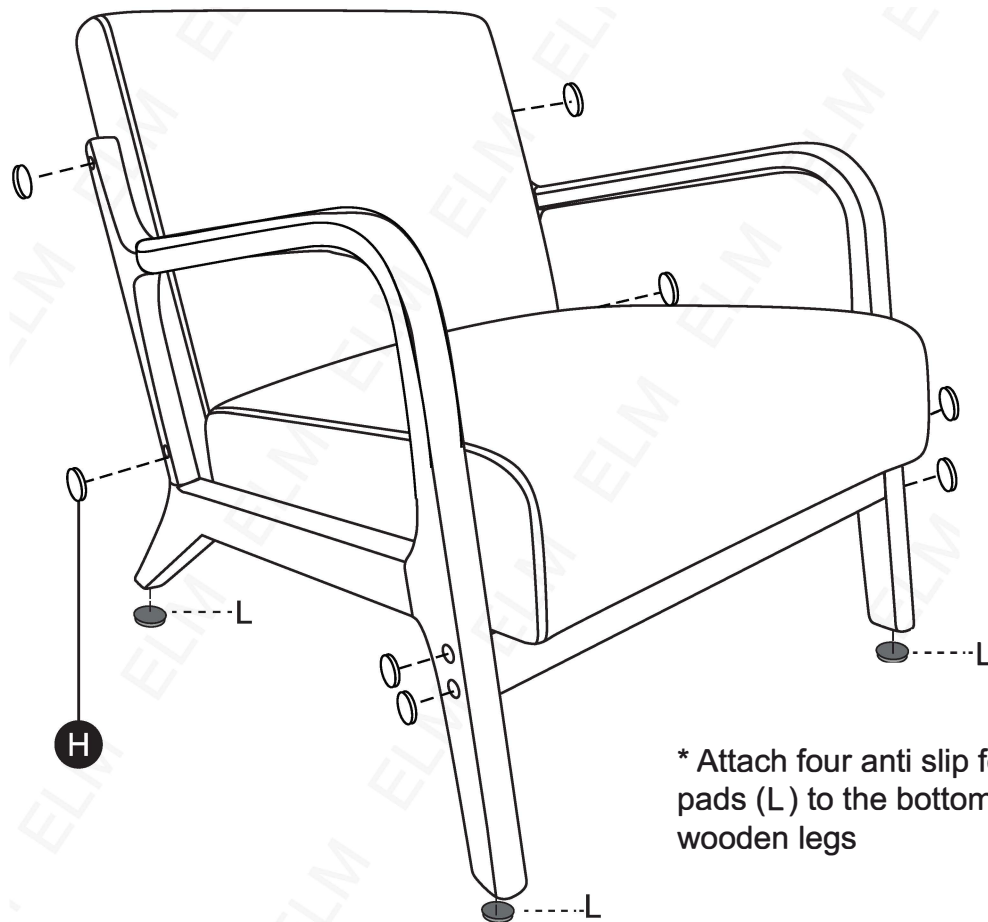
## STEP5



\* Sit on the chair softly (with 70% weight ) on the floor to level the seat. Then tighten all the screws by 100%.

## STEP6

\* Insert 8PCS Screw Covers [ H ] into all Screw Holes.



\* Attach four anti slip foot pads (L) to the bottom of the wooden legs