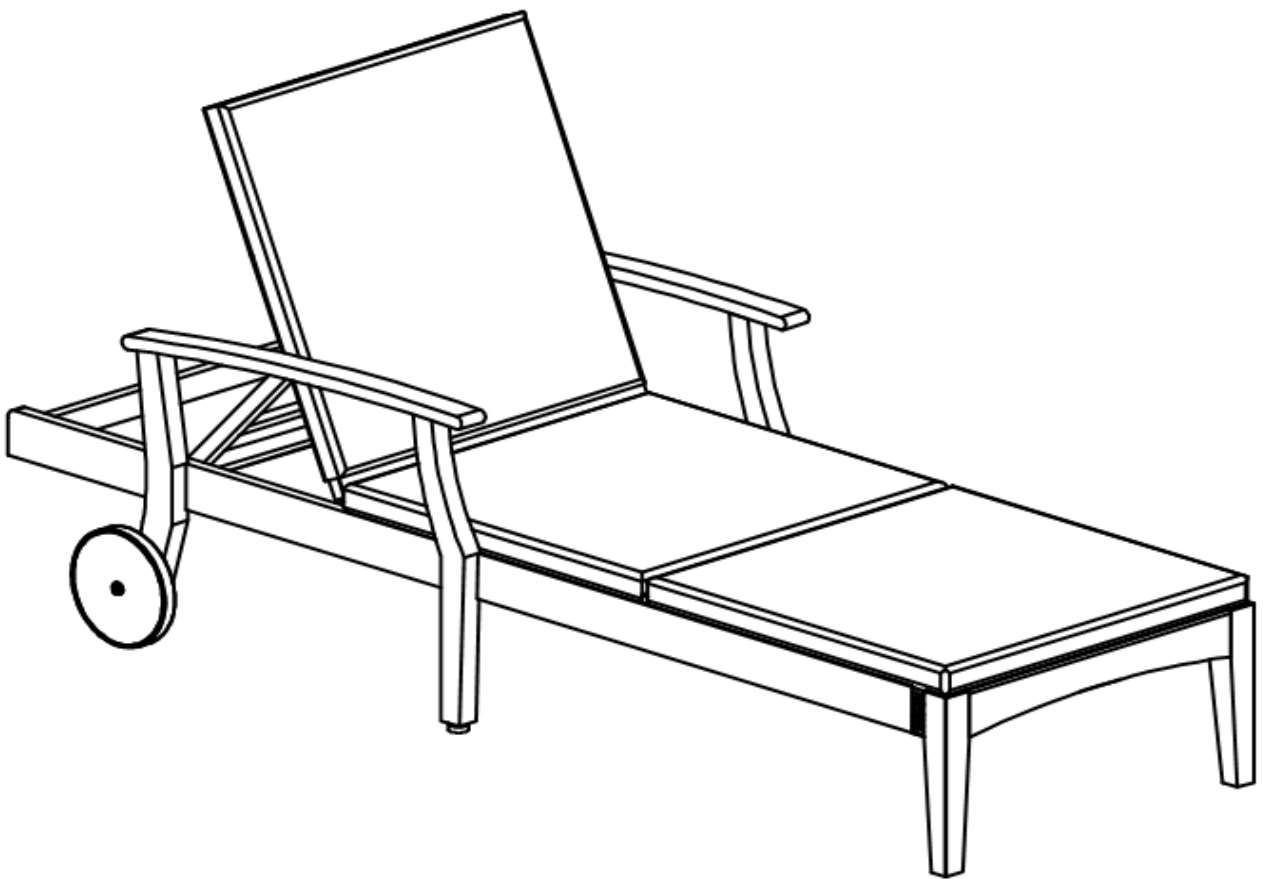


# Assembly Instructions

## LOUNGER

CAUTION: You must read this before you proceed

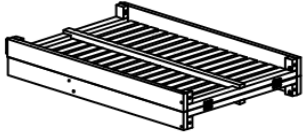


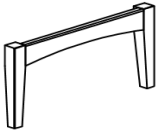

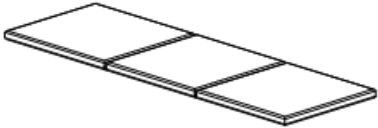


**CAUTION :** This Sunlounger is NOT a TOY.







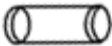


Keep your child / children at bay in the process of assembly.

For turning the Sunlounger and to prevent damage to the Sunlounger, 02 persons may be needed to execute this action.

# Parts List

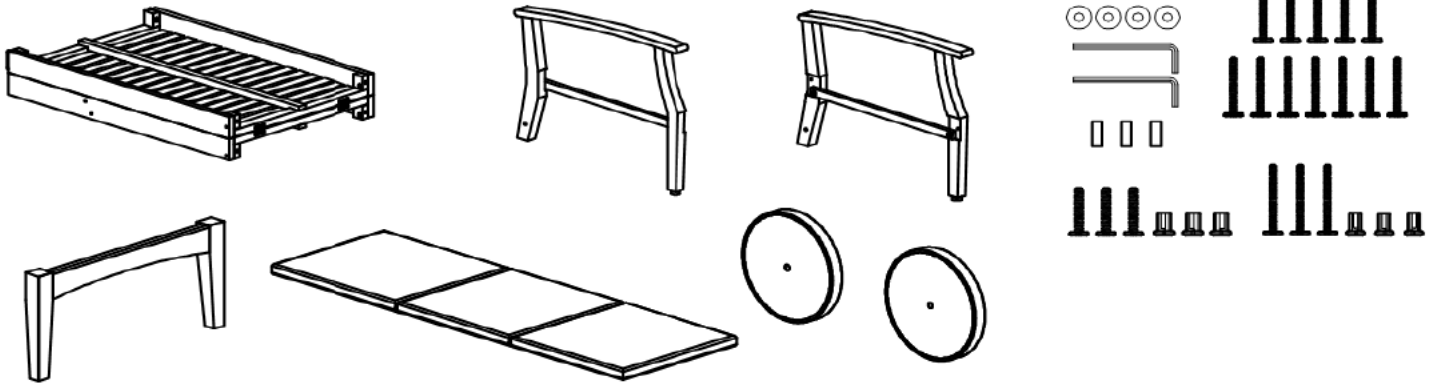
Label	Picture	Description	Qty
A		Foldable Seat Panel	1
B		Left Leg Panel with Wooden Bar	1
C		Right Leg Panel with Wooden Bar	1
D		Front Leg Panel	1
E		Wheel	2
F		Foldable Cushion	1

## Hardware

No.	Picture	Description	Qty
①		Allen Key	2
②		Short Bolt (M6*35mm)	5
③		Middle Bolt (M6*60mm)	7
④		Long Bolt (M6*70mm)	3
⑤		Small Sleeve nut (M6*15mm)	3
⑥		Bolt for Wheel (M8*55mm)	3
⑦		Iron tube for Wheel (8*8*23)	3
⑧		Washer (8*20*2)	5
⑨		Big Sleeve Nut (M8*15mm)	3

# Assembly Preparation

## Before Beginning Assembly:



- Read instructions, cover to cover-



- Have 2 adults on hand for assembly-



- Do not assemble on flooring or carpet-



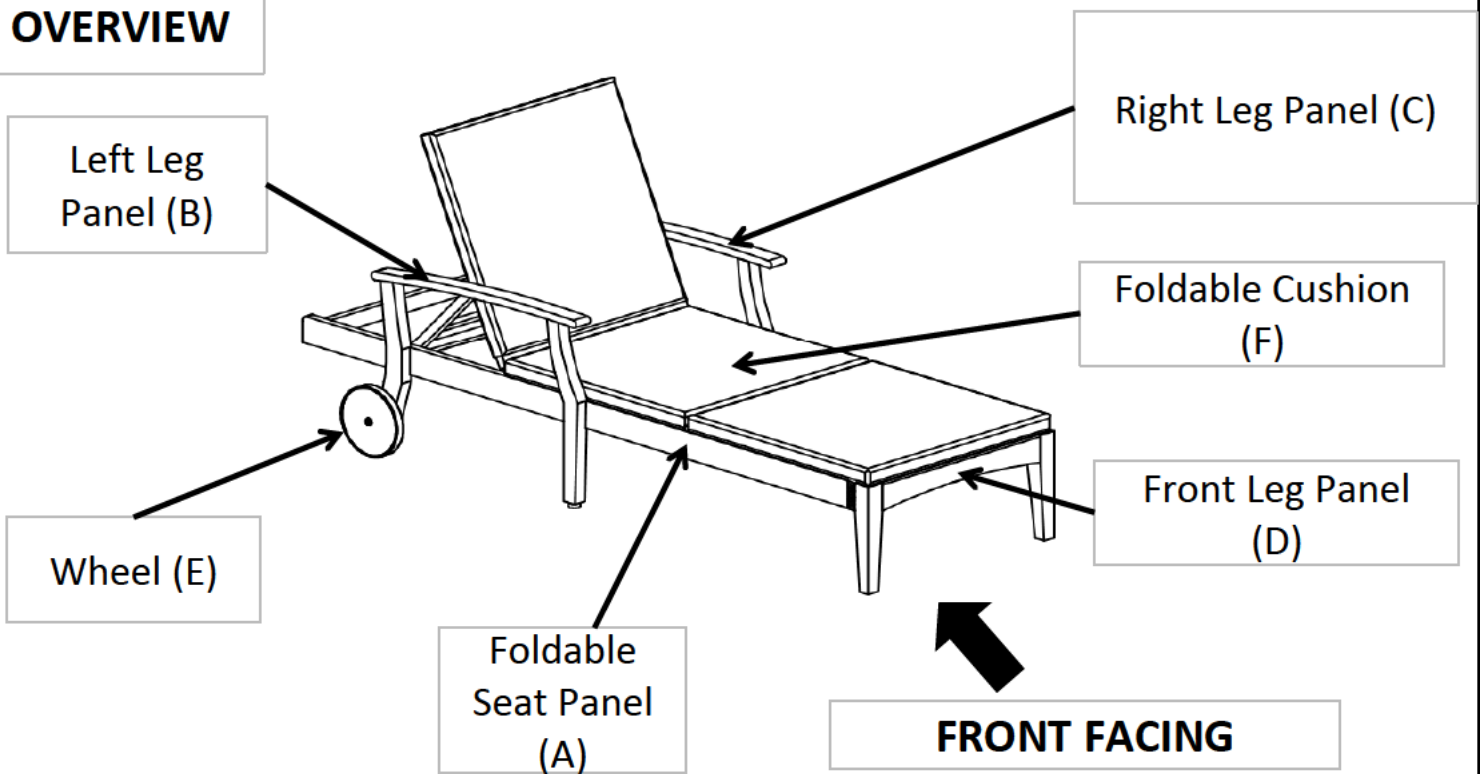
- Assemble on a clean non-marring surface (packing foam)-



- Save all packaging until finished-

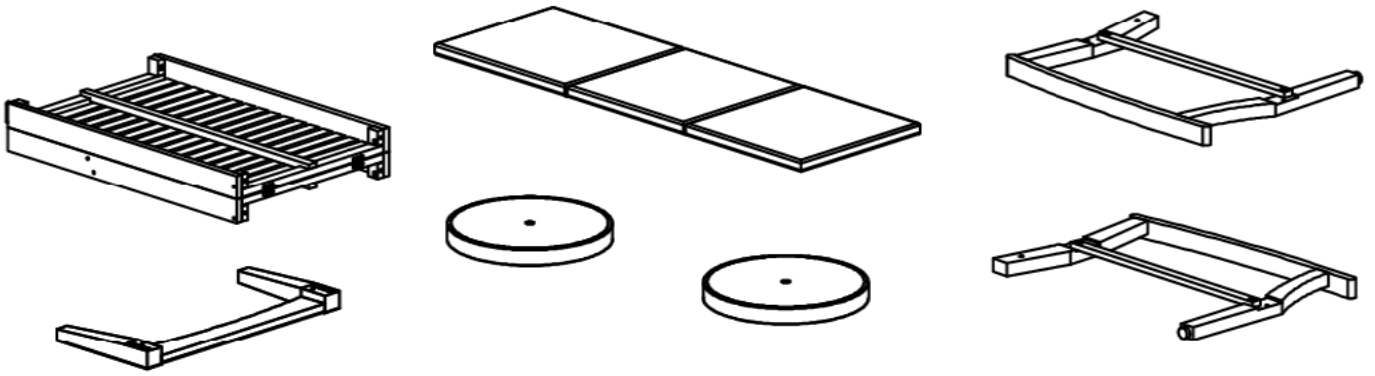
## Assembly Steps

### OVERVIEW



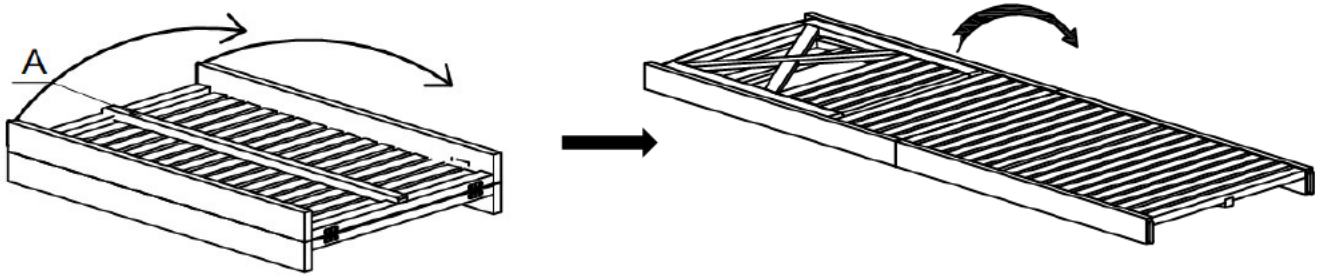
This Sunlounger has multiple parts and may require up to some 30 minutes to assemble. To give you an overview of the Sunlounger, the above picture to assemble to help you put the various parts into perspective. Please read through the instructions here below to familiarise the parts and steps before assembly.

## Step 1



Unpack and place all parts on a clean, non-marring surface.

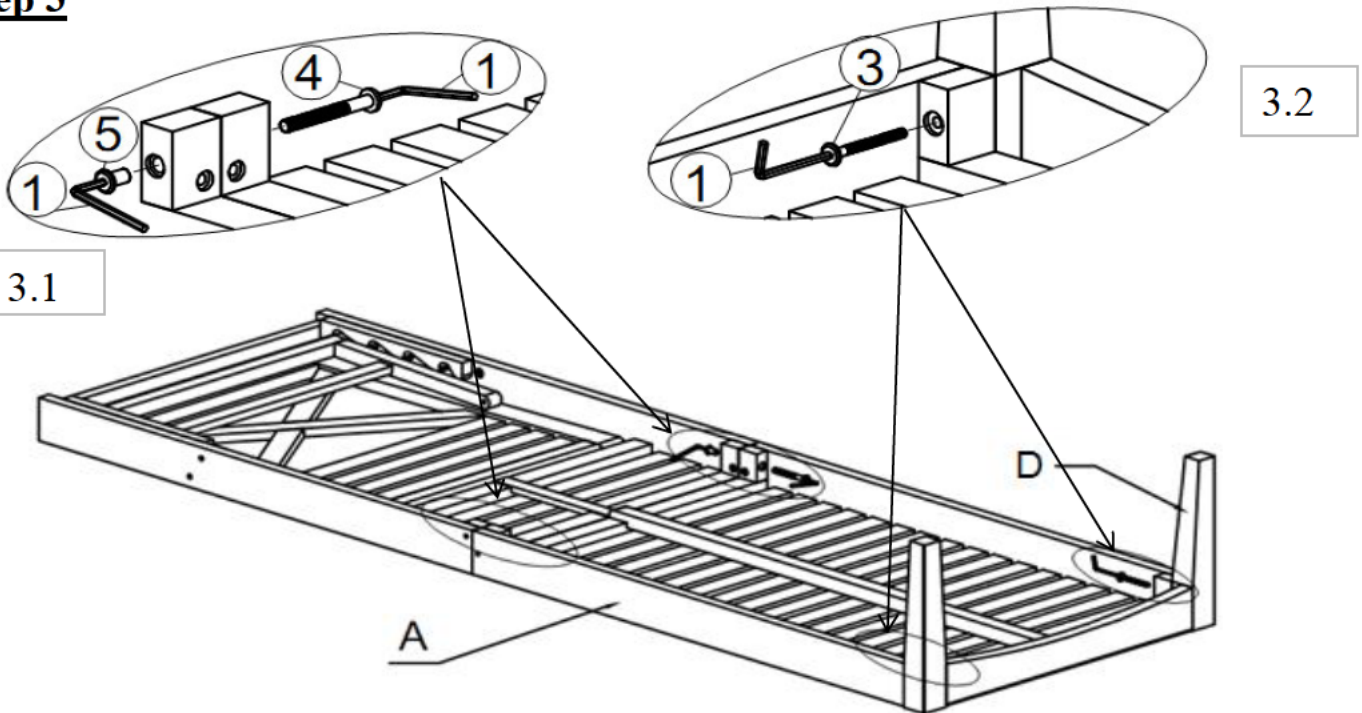
## Step 2



Unfold Foldable Seat Panel (A).

**Caution:** Be careful when opening Foldable Seat Panel (A) to avoid the finger strapped at the folding point.

## Step 3

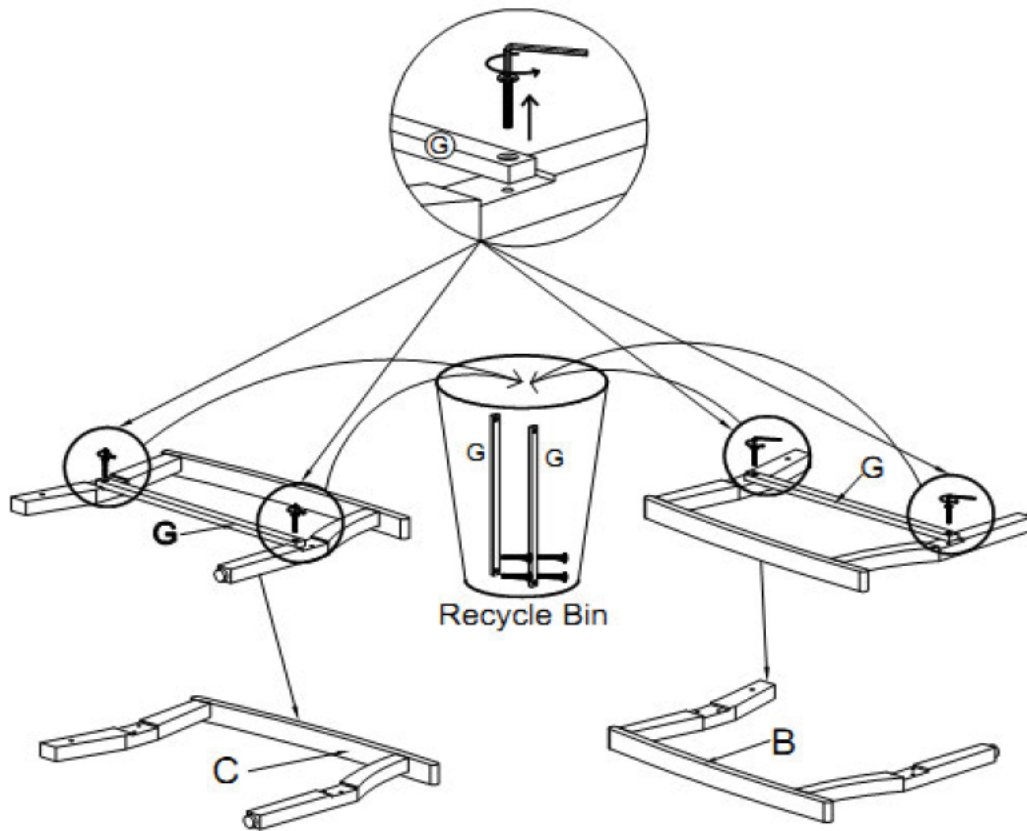


With assistance from your adult partners, turn the Sunlounger upside down:

3.1) Secure 2 Foldable parts of Foldable Seat Panel by using 2 Long Bolts (④), 2 Small Sleeve Nuts (⑤) and 2 Allen Key (①).

3.2) Attach Front Leg Panel (D) to Foldable Seat Panel (A) by using 2 Middle Bolts (③) and Allen Key (①).

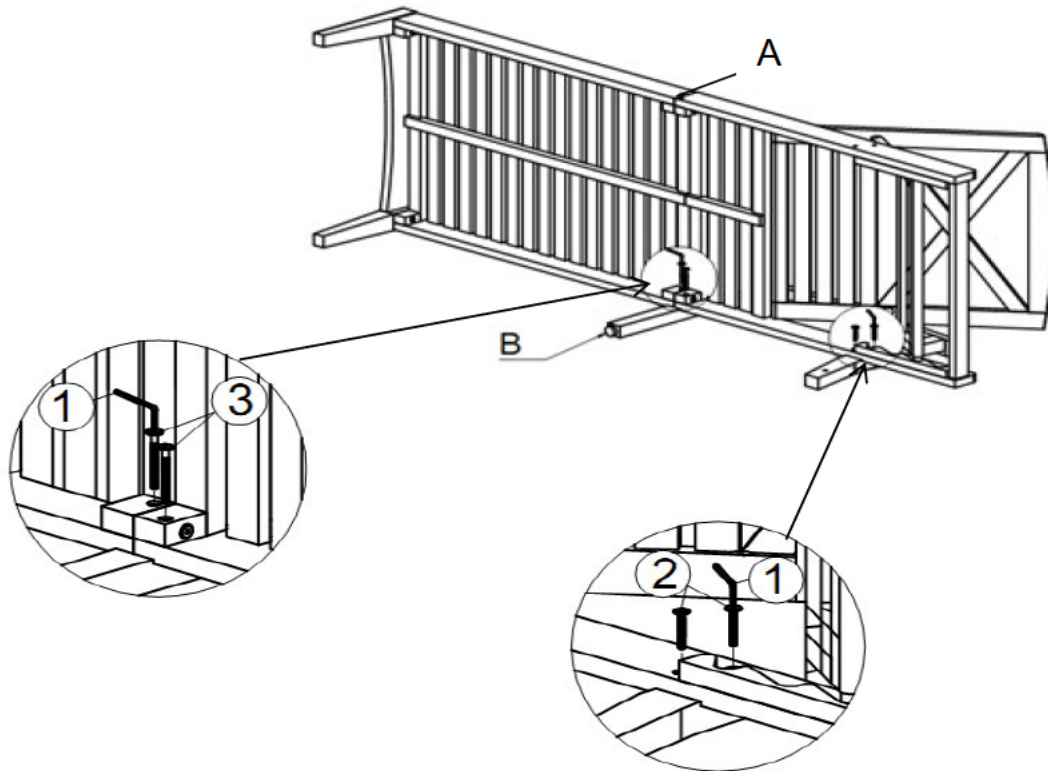
## Step 4



Using Allen Key ((1)) to open 4 Bolts and 2 Wooden Bars on 2 Leg Panels (B,C) then, put them in the trash and continue with step 5.

**Note: The purpose of these Wooden Bars is just protecting Leg Panels (B,C) from damage in shipping.**

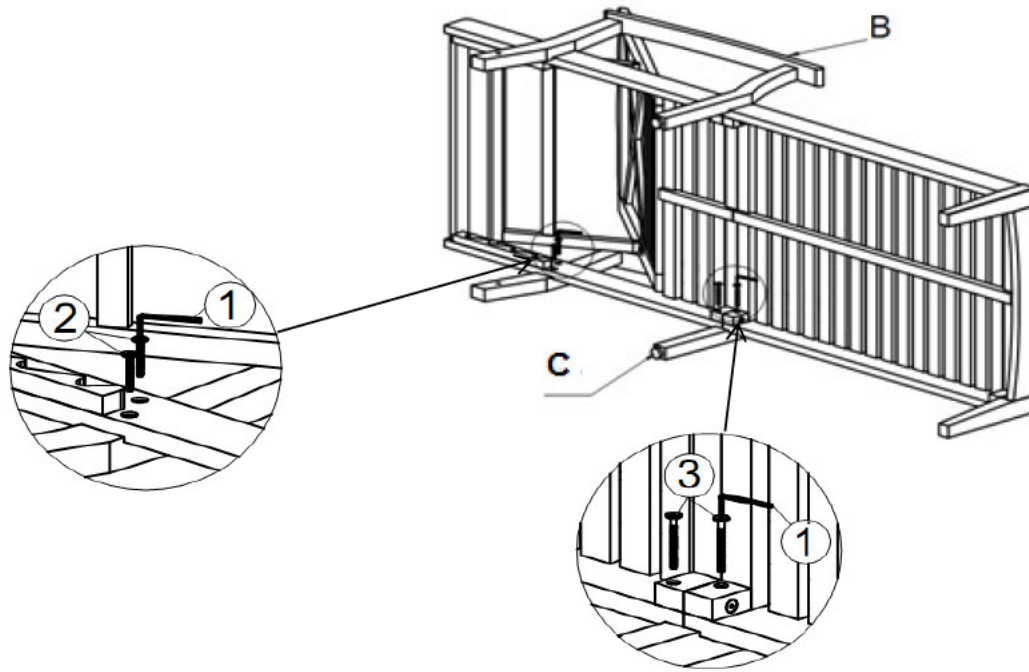
## Step 5



With assistance from your adult partners, turn the Sunlounger lie on the Left Leg Panel (B) as designated point.

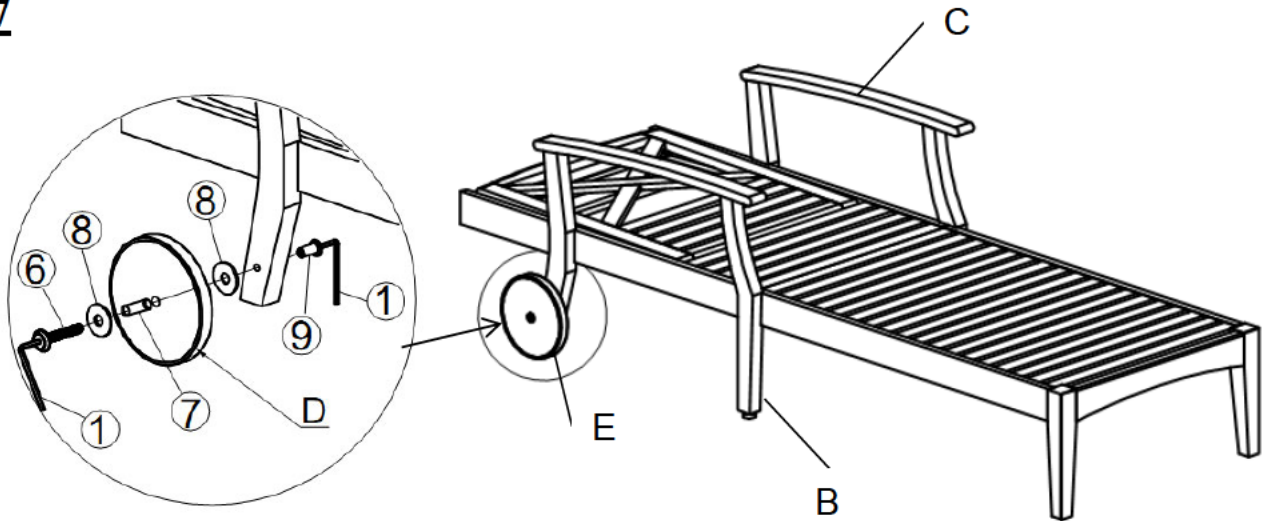
Using 2 Short Bolts ((2)), 2 Middle Bolts ((3)) and Allen Key ((1)) to attach Left Leg Panel (B) to Foldable Seat Panel (A) as shown on the picture.

## Step 6



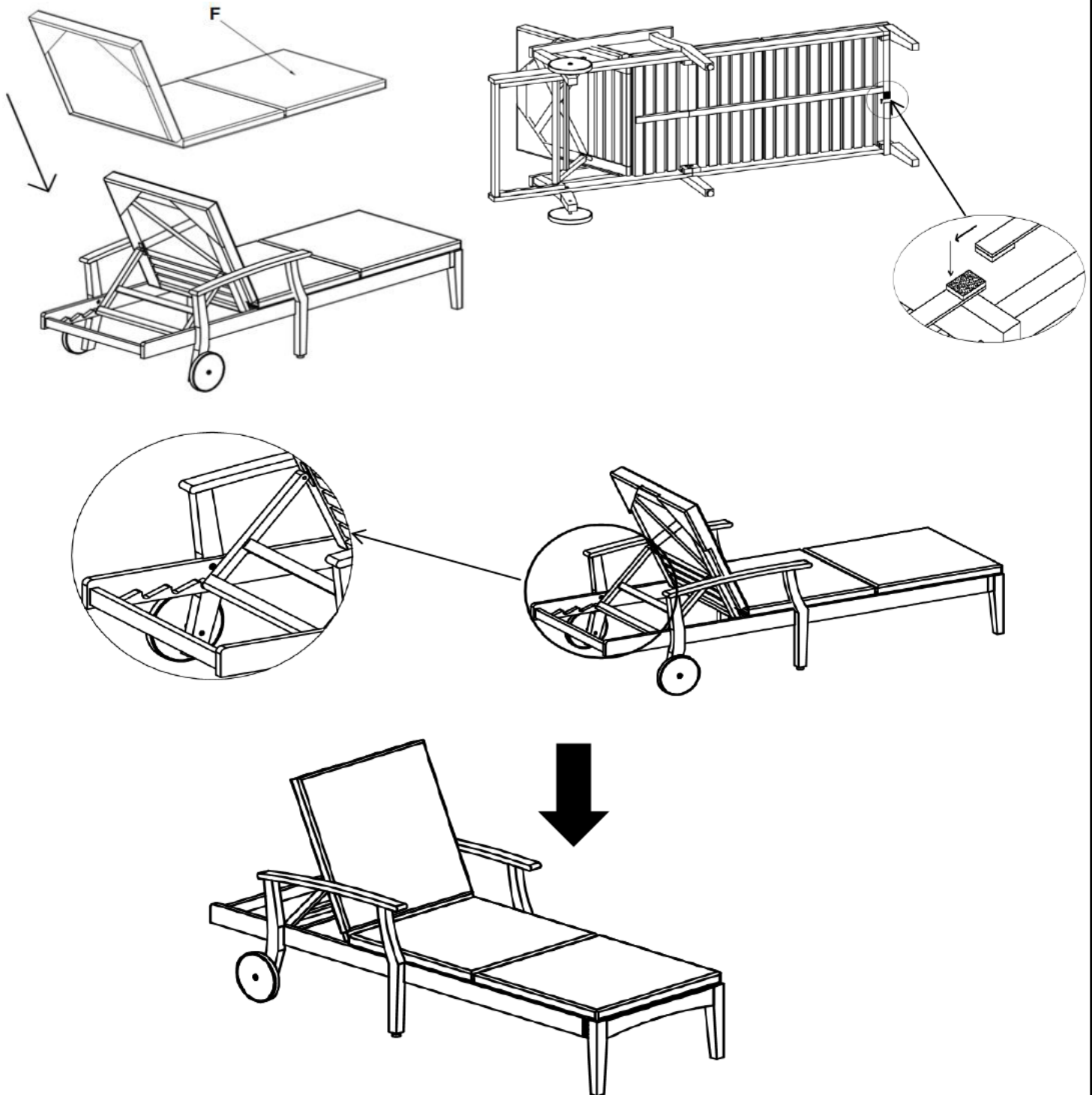
With assistance from your adult partners, turn the Chair into the other side.  
Repeat the same process of step 4 to secure Right Leg Panel (C) with Foldable Seat Panel (A).

## Step 7



With assistance from your adult partners, turn the Sunlounger right side up.  
Attach one of Wheel (E) to Left Leg Panel (B) by using Bolt for Wheel ((6)), Washers ((8)), Iron tube for Wheel ((7)) and Big Sleeve Nut ((9)) in sequence as shown on the picture above.  
Then, repeat the same process of this step to attach the other Wheel (E) to Right Leg Panel (C).

## Step 8



EXERT pressure, floorwards, onto the Seat.

This pressure will help the Legs and seat panel reach alignment at all joints.

Check for wobbles.

In a sequential manner, gradually tighten all Bolts until evenly secured.

Inspect the Sunlounge and make sure all parts are adequately connected.

Place Foldable Seat Cushion (F) on to the Chair.










Tie the velcro straps of Foldable Seat Cushion (F) to Foldable Seat Panel (A) as shown above.

Your Sunlounge is ready for use.

**This Sunlounge can only be used on a flat, level surface.**

**Note: Align the Backrest of Sunlounge in position you want.**

## Care & Maintenance

-  Do not put hot items directly on furniture surface
-  Do not clean furniture with harsh cleansers or polish.
-  To obtain the longest lifespan of your outdoor products, minimizing exposure to direct sunlight is recommended.
-  Children should not climb or jump on the furniture.
-  Do not write on furniture without a padded barrier to protect the surface.
-  To obtain the longest lifespan of your outdoor products, avoid extended and lengthy exposure to rain, snow, and direct sunshine. Whenever possible cover the product and /or place under patio or awnings.
-  Not for commercial use. For residential use only .
-  Stains may be removed with mild soap solution and damp cloth.
-  Dust and pick-up spills using a clean, non-colored, lint-free cloth.