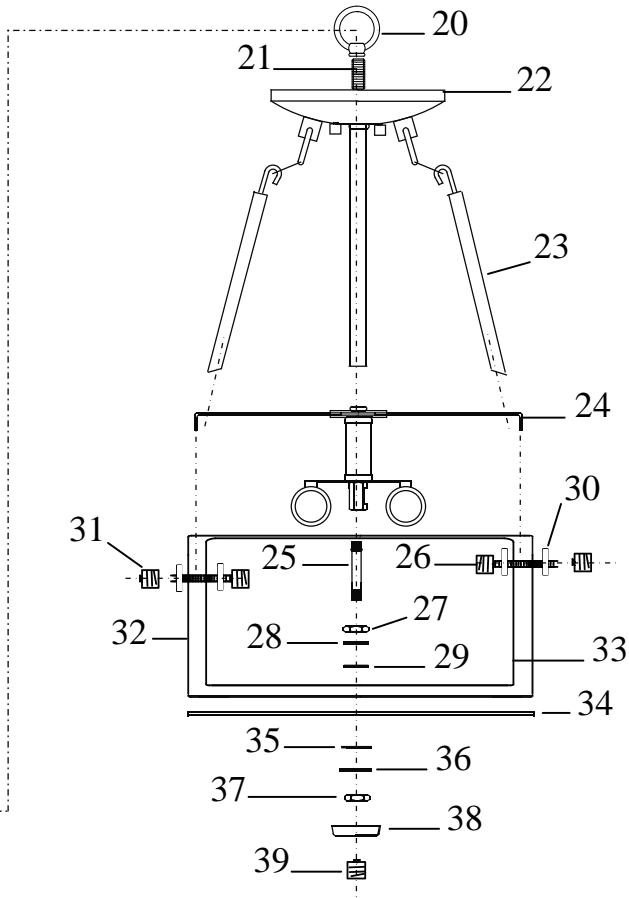
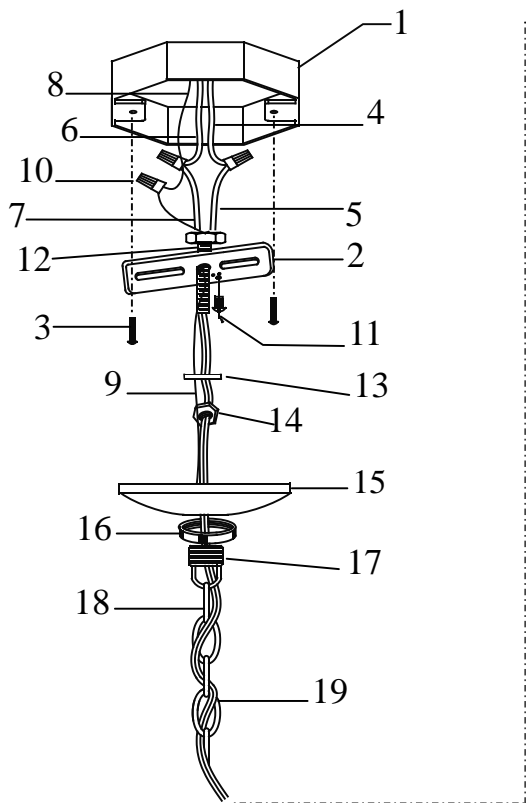


3-LIGHT CONVERTIBLE (SEMI-FLUSH)

1. OUTLET BOX (not included)
2. MOUNTING PLATE
3. OUTLET BOX SCREWS and WASHERS (pre-attached to outlet box)
4. BLACK SUPPLY WIRE (not included)
5. SMOOTH (or BLACK) FIXTURE LEAD WIRE
6. WHITE SUPPLY WIRE (not included)
7. RIBBED (or WHITE) FIXTURE LEAD WIRE
8. SUPPLY GROUND WIRE (not included)
9. FIXTURE GROUND WIRE
10. WIRE CONNECTORS
11. GROUND SCREW (pre-attached)
12. FIXTURE SCREWS and HEX NUTS (pre-attached)
13. COVER
14. FIXTURE
15. DECORATIVE NUTS (pre-attached)
16. CENTER STEM
17. ALABASTER GLASS SHADE
18. CLEAR GLASS SHADE
19. HEX NUT (pre-attached)
20. RUBBER WASHERS (pre-attached to decorative screws)
21. DECORATIVE SCREWS (pre-attached)
22. RODS
23. DIFFUSER PLATE
24. STEEL WASHERS (pre-attached)
25. RUBBER WASHER, top (pre-attached)
26. FINIAL PLATE
27. FINIAL (pre-attached)
28. DECORATIVE NUTS (for cover)
29. DECORATIVE NUT SCREWS (pre-attached)
30. FIXTURE LOOP
31. FIXTURE THREADED ROD
32. RUBBER WASHER, bottom (pre-attached)
33. STEEL WASHER (pre-attached)
34. HEX NUT (pre-attached)



3-LIGHT CONVERTIBLE (PENDANT)

- | | | |
|---|--------------------------------------|--|
| 1. OUTLET BOX (not included) | 15. CANOPY | 29. RUBBER WASHER, top (pre-attached) |
| 2. MOUNTING STRAP | 16. THREADED RING | 30. RUBBER WASHERS (pre-attached to decorative screws) |
| 3. OUTLET BOX SCREWS and WASHERS (pre-attached to outlet box) | 17. SCREW COLLAR LOOP (pre-attached) | 31. DECORATIVE NUTS (pre-attached) |
| 4. BLACK SUPPLY WIRE (not included) | 18. OPEN CHAIN LINKS | 32. CLEAR GLASS SHADE |
| 5. SMOOTH (or BLACK) FIXTURE LEAD WIRE | 19. CHAIN | 33. ALABASTER GLASS SHADE |
| 6. WHITE SUPPLY WIRE (not included) | 20. FIXTURE LOOP | 34. DIFFUSER PLATE |
| 7. RIBBED (or WHITE) FIXTURE LEAD WIRE | 21. FIXTURE THREADED ROD | 35. RUBBER WASHER, bottom (pre-attached) |
| 8. SUPPLY GROUND WIRE (not included) | 22. COVER | 36. STEEL WASHER (pre-attached) |
| 9. FIXTURE GROUND WIRE | 23. RODS | 37. HEX NUT |
| 10. WIRE CONNECTORS | 24. FIXTURE | 38. FINIAL PLATE |
| 11. GROUND SCREW (pre-attached) | 25. CENTER STEM | 39. FINIAL |
| 12. THREADED ROD | 26. DECORATIVE SCREWS (pre-attached) | |
| 13. LOCK WASHER (pre-attached) | 27. HEX NUT (pre-attached) | |
| 14. HEX NUT (pre-attached) | 28. STEEL WASHER (pre-attached) | |