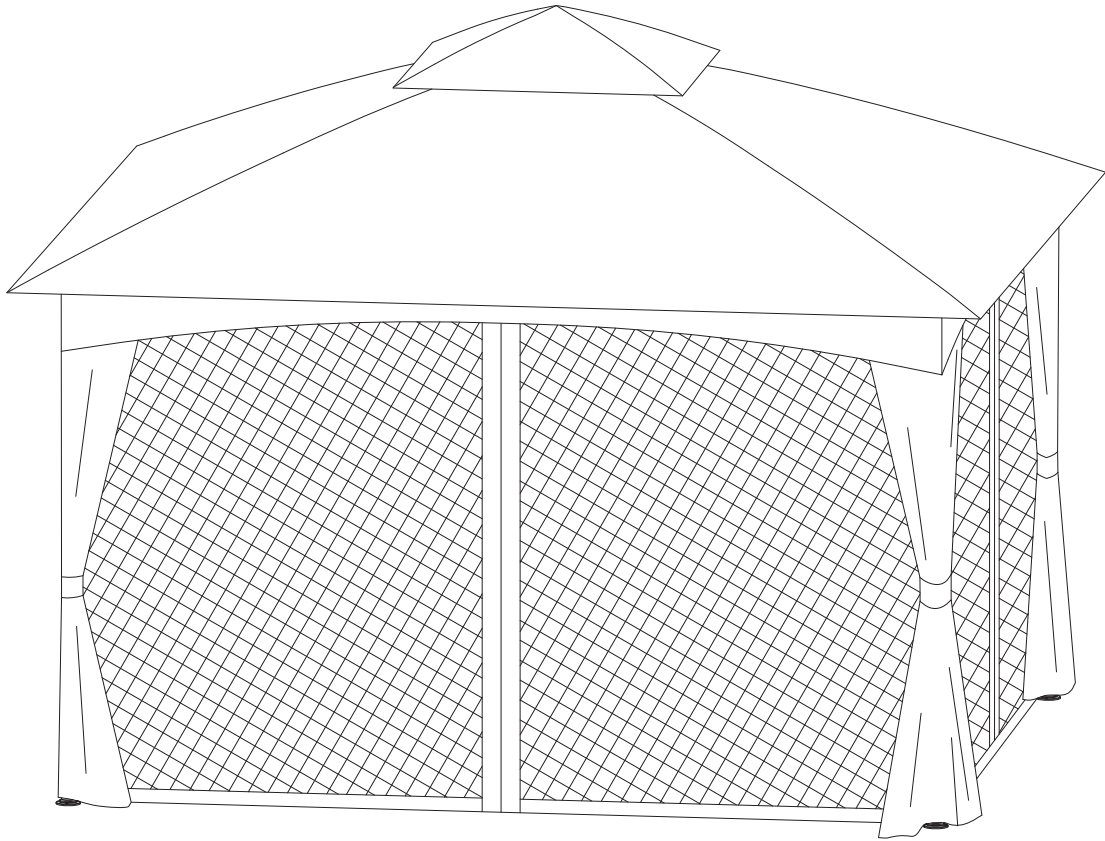
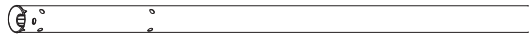


# Product Instructions

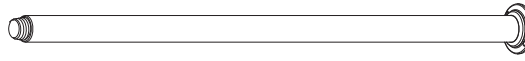


# PARTS

A 4pcs



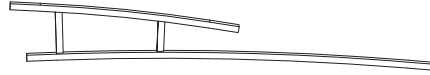
B 4pcs



C 4pcs



D 4pcs



E 4pcs



F 4pcs



G1 2pcs



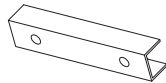
G2 2pcs



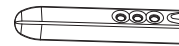
H 4pcs



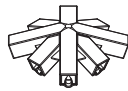
J 4pcs



K 8pcs



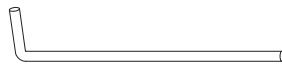
L 1pc



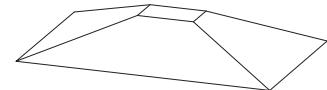
M 1pc



N 8pcs



P 1pc



Q 1pc



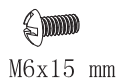
R 1pc



S 4pcs

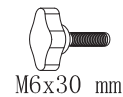


①



24pcs+1pc

②



4pcs+1pc

③

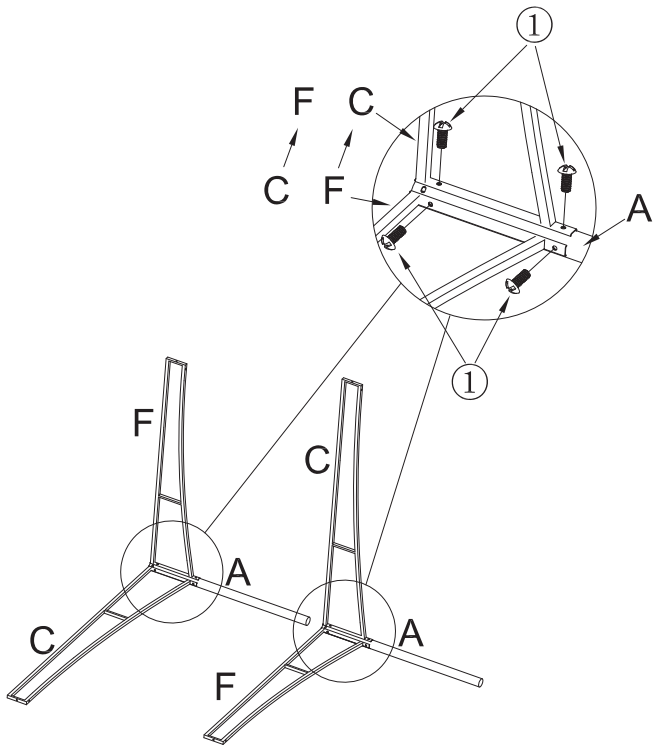


4pcs+1pc

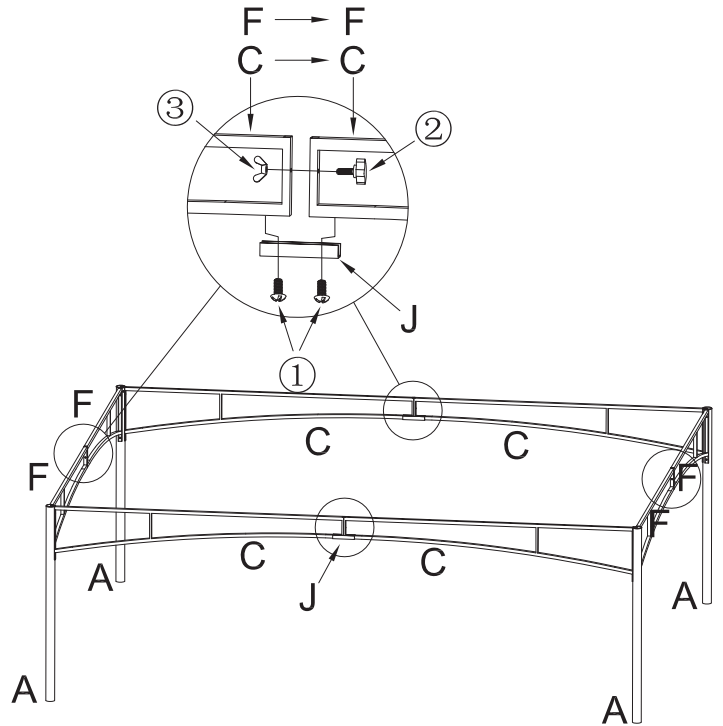
④



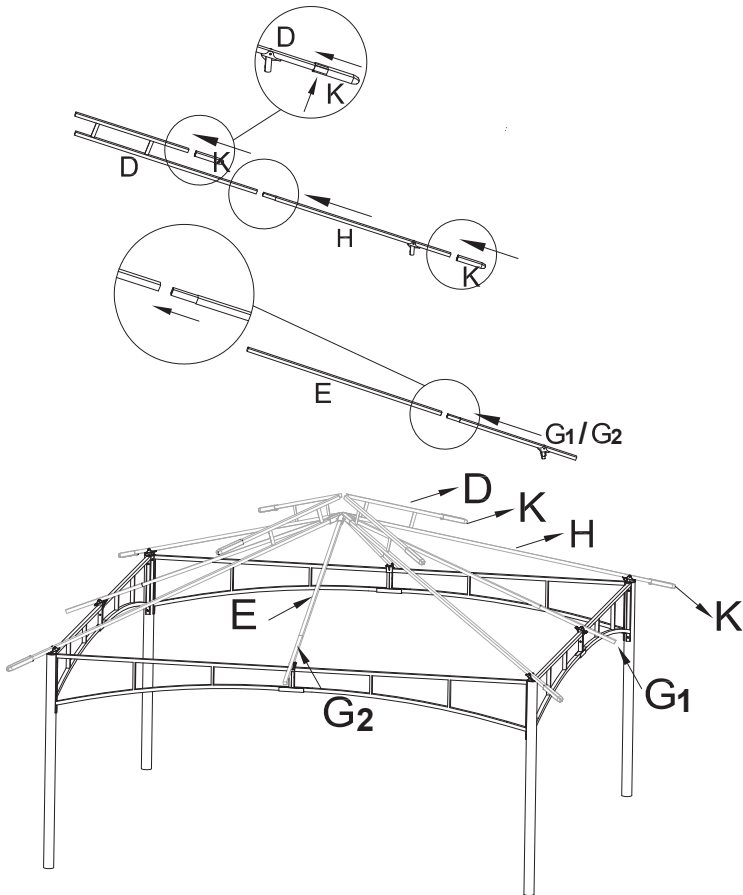
36pcs+1pc



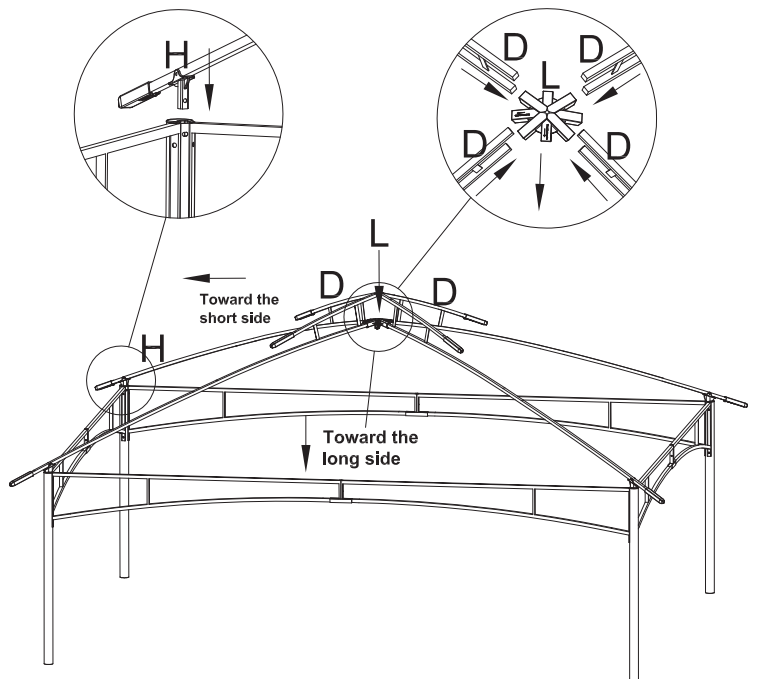
Step 1: Put Part C and Part F together and put the Part A in the middle of them, then use Screw ① to tighten them. Please note: Part C is not the same length as Part F! ①



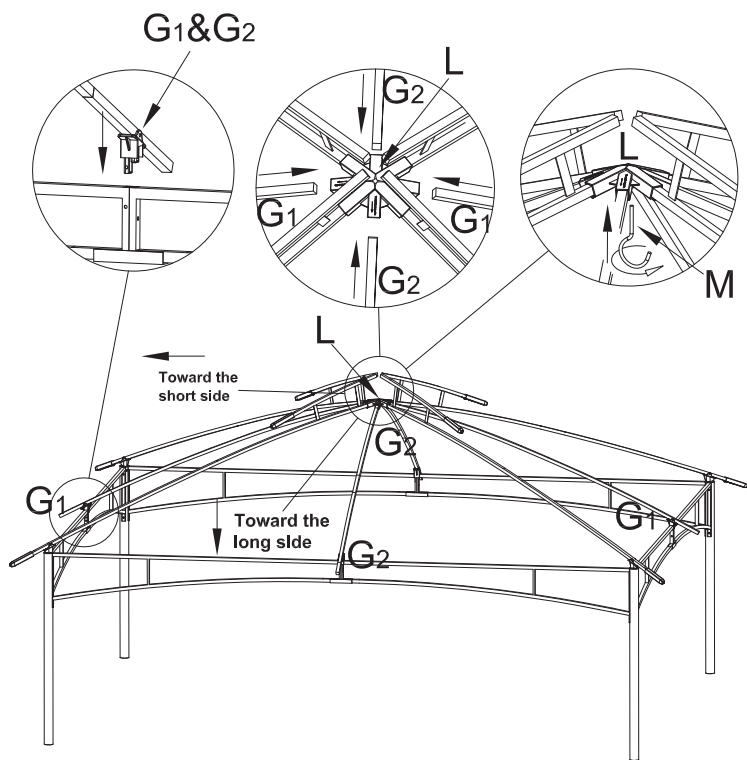
Step 2: Use Nut ③ and Screw ② to connect two Part C (or Part F), and tighten them. Then put one Part J on the bottom side of two attached Part C (or Part F). Use Screw ① to tighten the Part J. ②



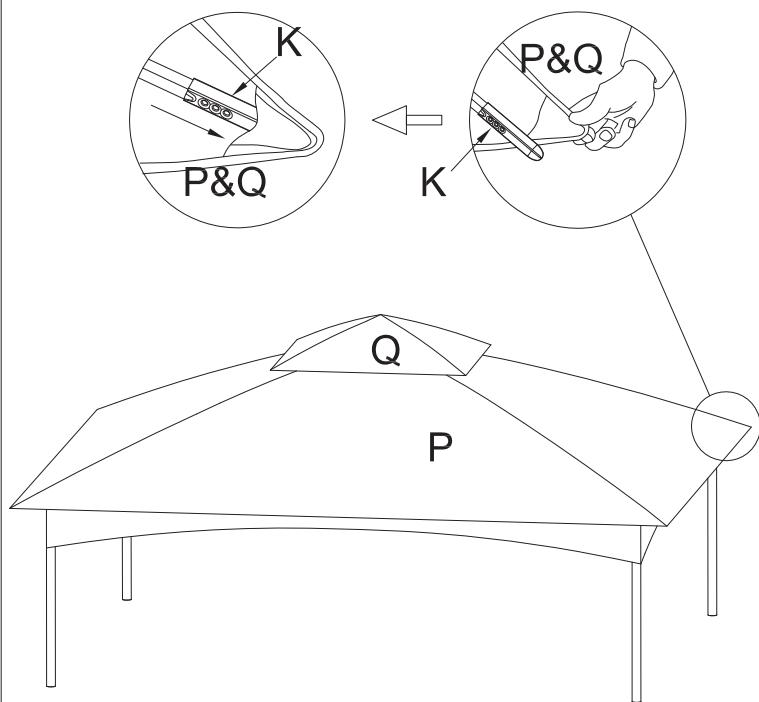
Step 3: Insert the small head of Part H to the long side of Part D directly and insert one Part K to the other head of Part H. Then insert one Part K to the short side of Part D. Insert the small head of Part G1 or G2 to Part E. Repeat the steps above to assemble the other Part D, H, K, E, G1 and G2. ③



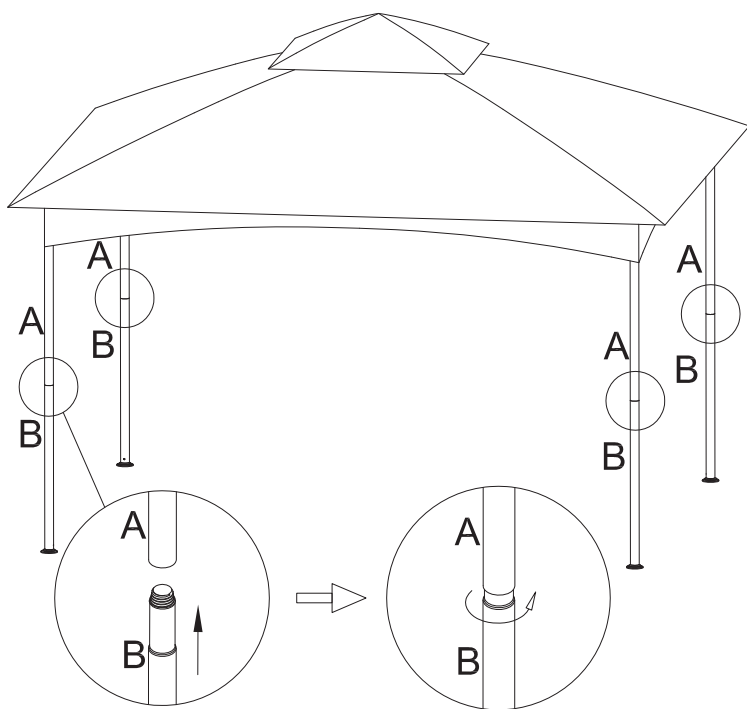
Step 4: Insert four Part H to the four corners of the frame (the top of Part A). Then insert the other side (the bottom side of Part D) to Part L. ④



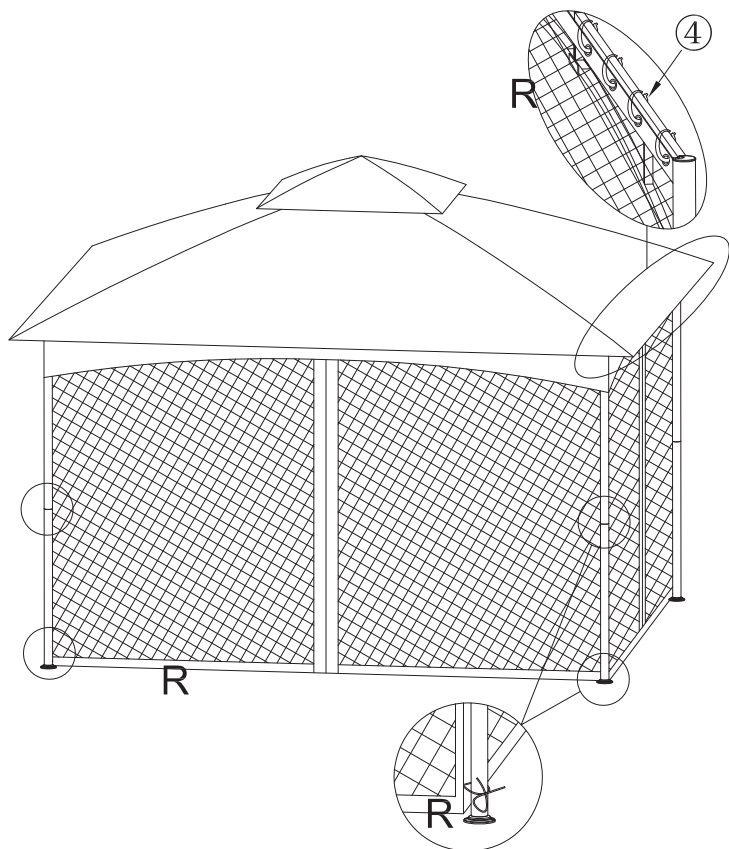
Step 5: Insert Part G1 to the connection part of the two attached Part F. Then Insert Part G2 (the shorter piece) to the connection part of the two attached Part C. Next insert the four Part E to Part L. Insert Part M to Part L. Please note: The Part E which is attached to G2 should connect to the short piece of Part L. The Part E which is attached to G1 should connect to the long piece of Part L. ⑤



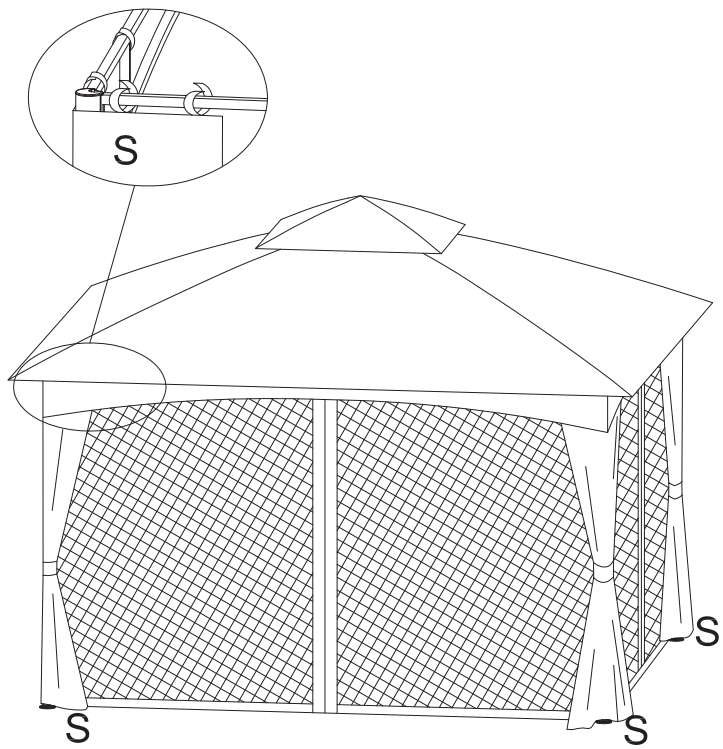
Step 6: Put the canopy fabric (Part P&Q) on the frame, extend it fully. Put the heads of tubes (Part K) into the corner pocket of canopy fabric. ⑥



Step 7: Insert Part B to Part A, then turn it to make it tight. ⑦

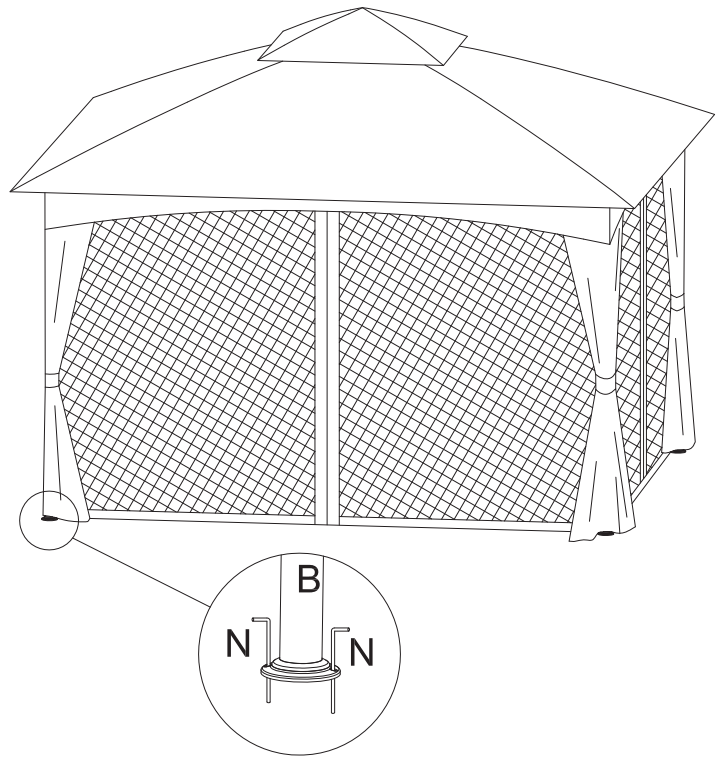


Step 8: Use Part ④ (the plastic hook) to hang Part R on the frame. ⑧



Step9: Insert the curtains (Part S) on the plastic hook.

⑨



Step10: Insert the stakes (Part N) on the foot pad to the ground deeply, then you can use the gazebo.

⑩