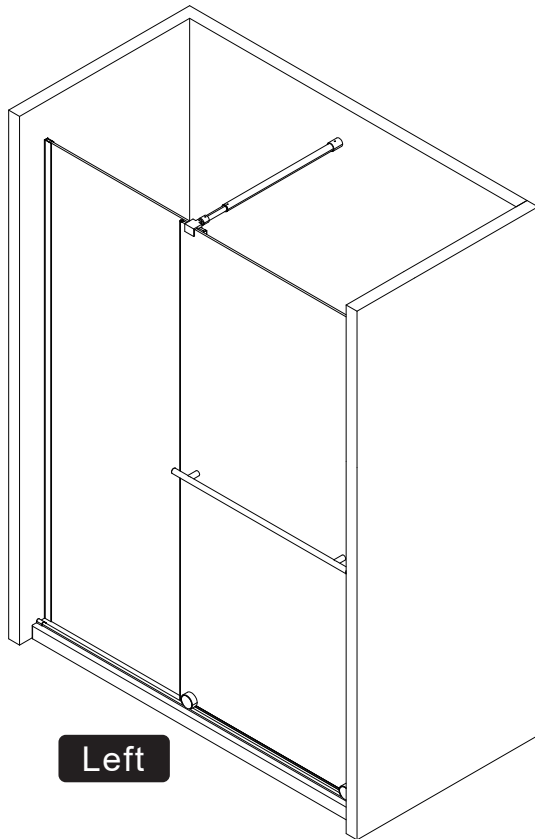


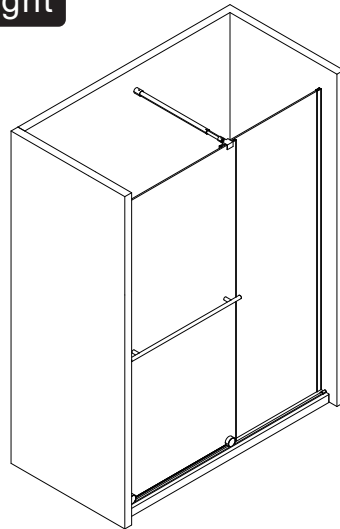
Different Types of Installation

A

Option A:
For wall to wall installation,
shower sliding door

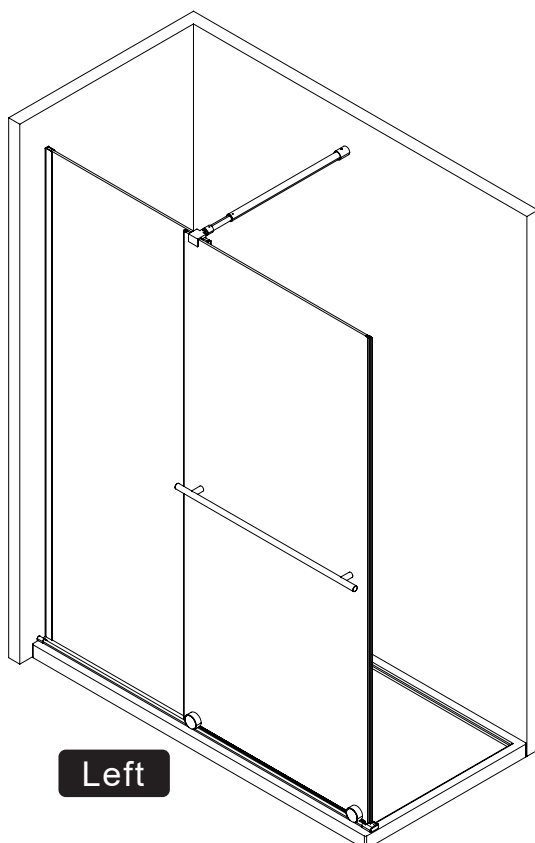


Right

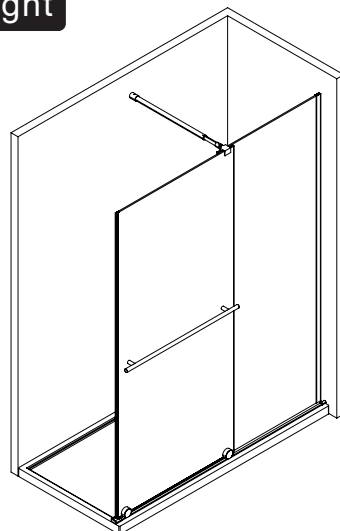


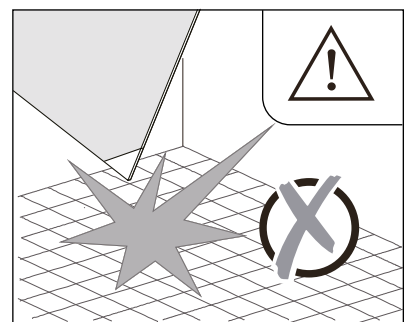
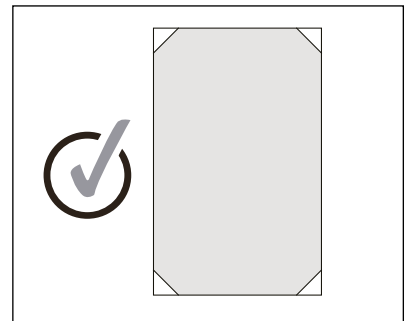
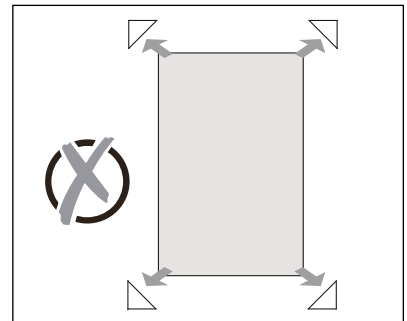
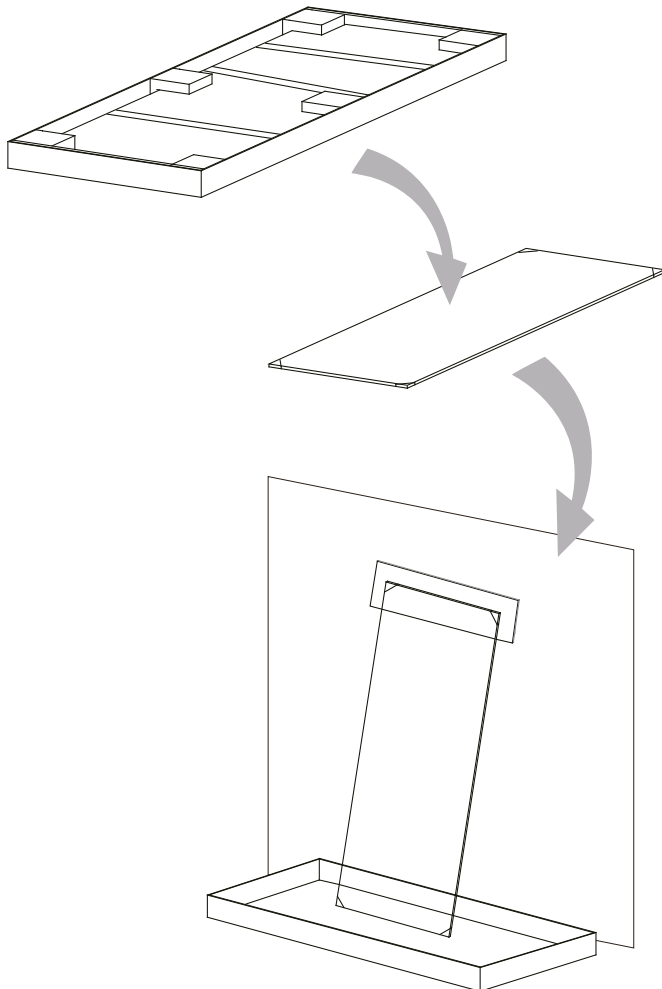
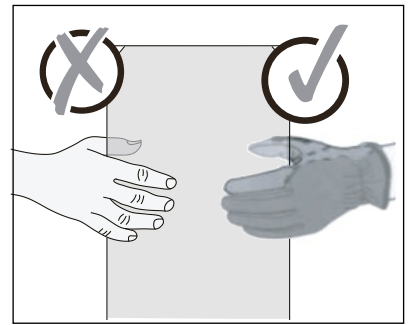
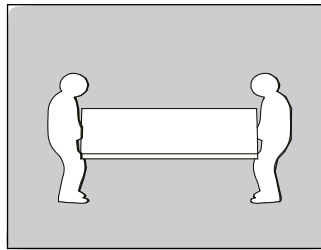
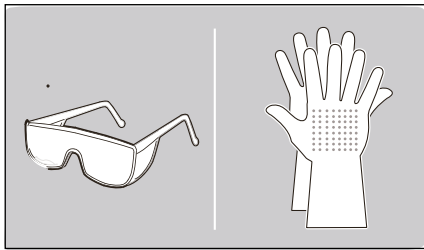
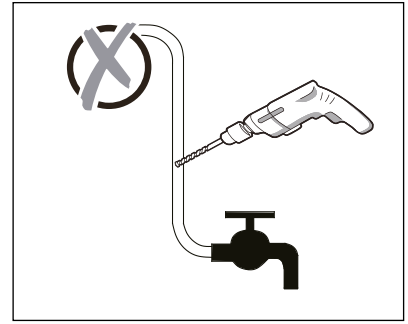
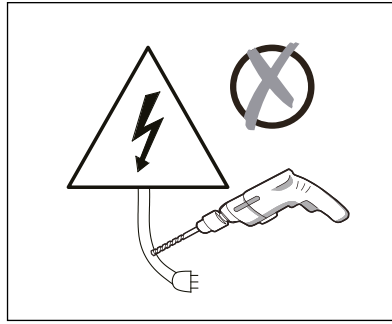
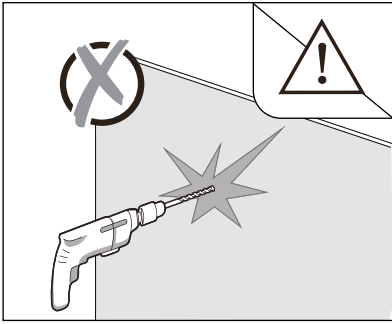
B

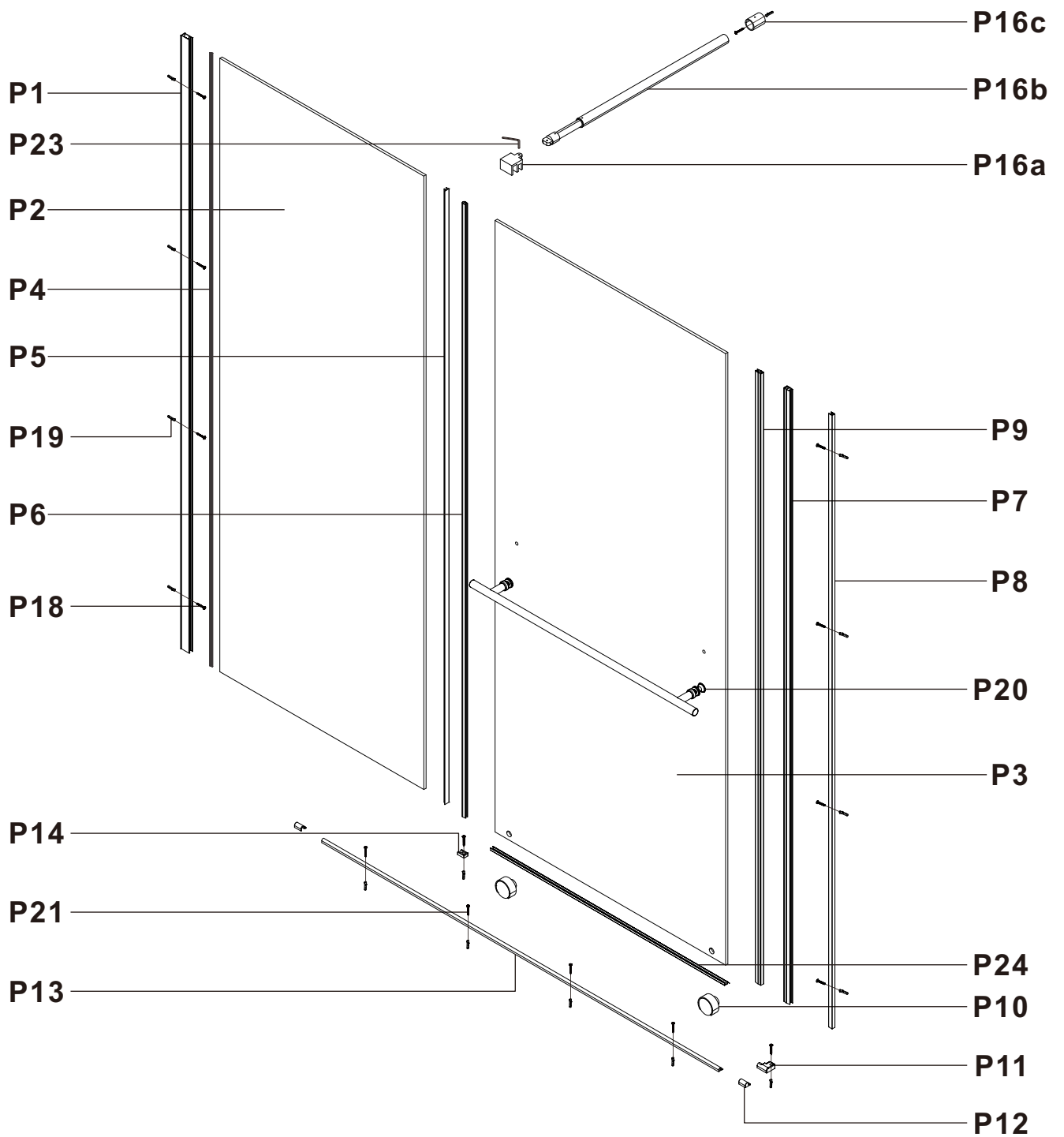
Option B:
For 1-side wall shower
walk-in wetroom



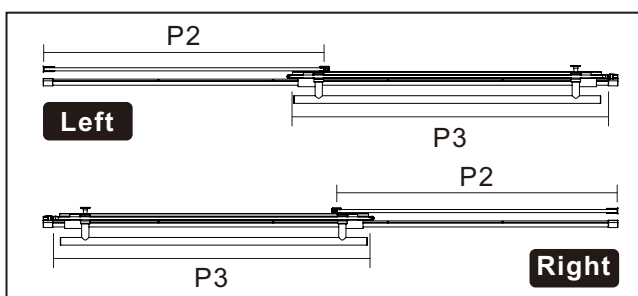
Right



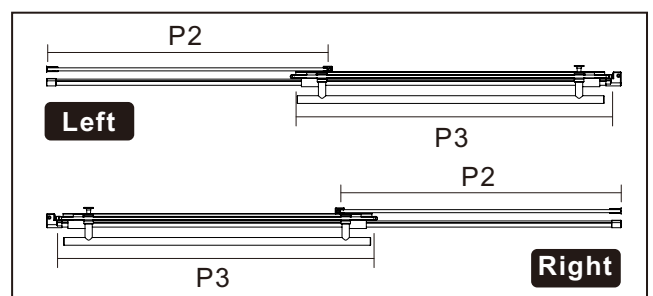


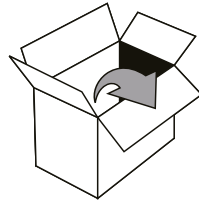


Option A

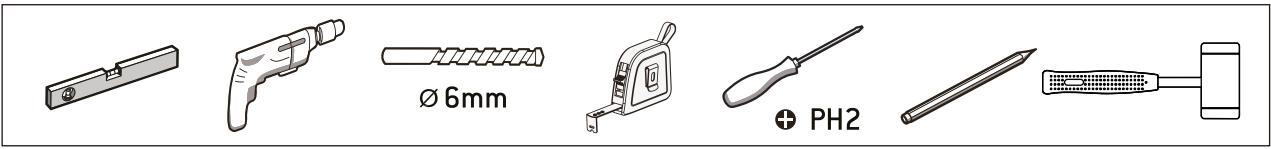


Option B

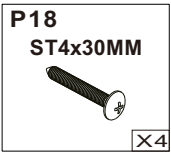
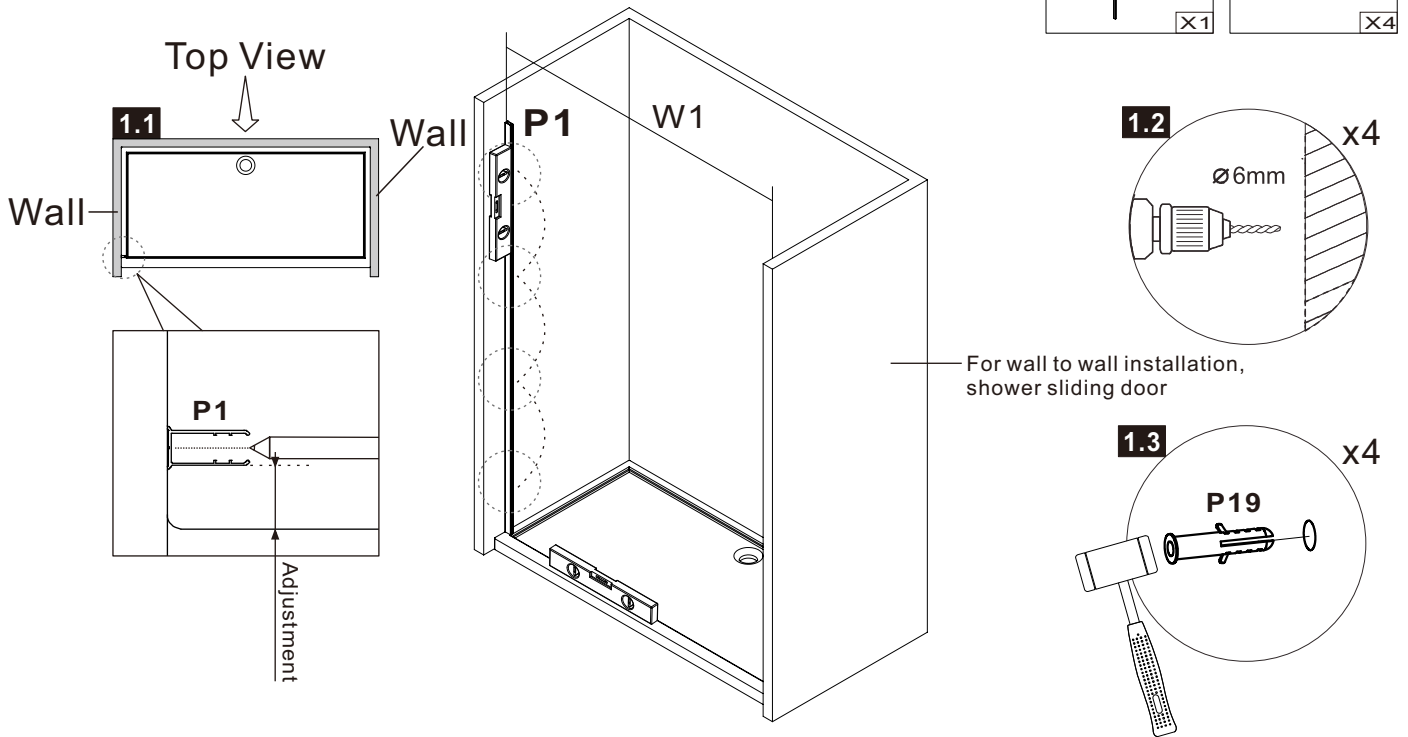




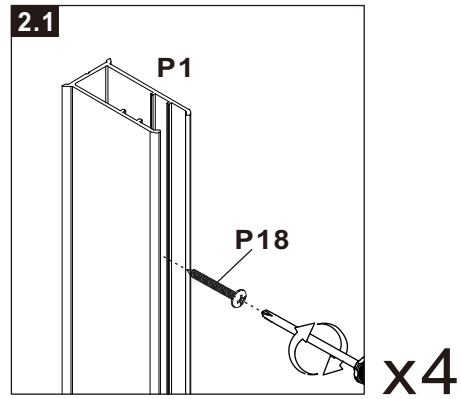
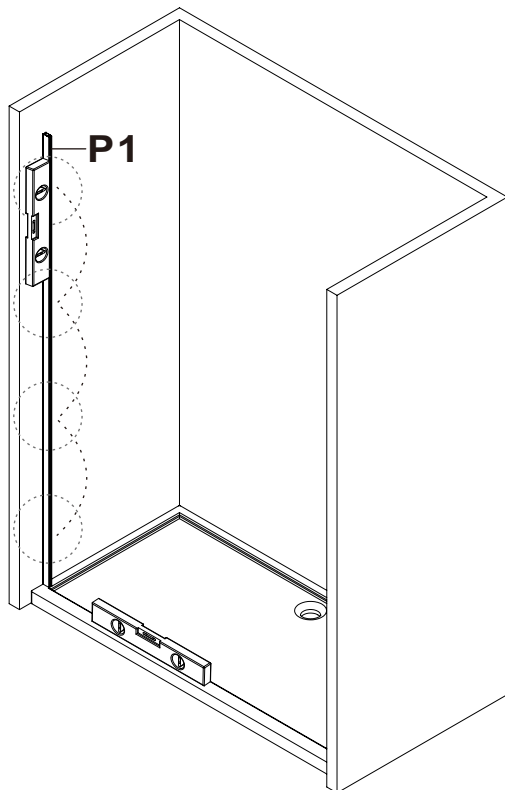
P1 X1	P2 X1	P3 X1	P4 X1
P5 X1	P6 X1	P7 X1	P8 X1
P9 X1	P10 X2	P11 X1	P12 X1
P13 X1	P14 X1	P16 X1	
P18 ST4x30MM X9	P19 X15	P20 X1	P21 ST4x25MM X6
P23 X1	P24 X1		

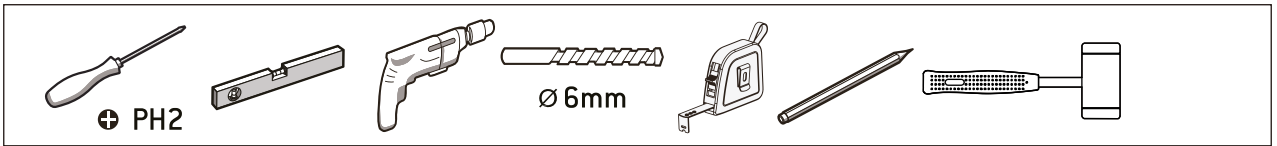


1 Wall Profile Installation

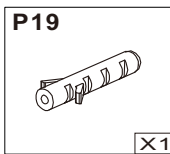
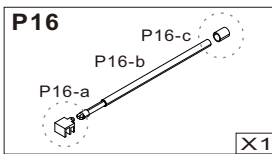
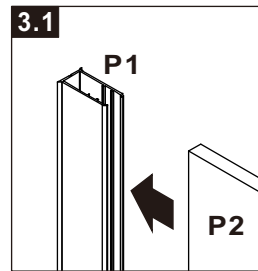
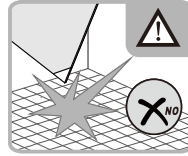
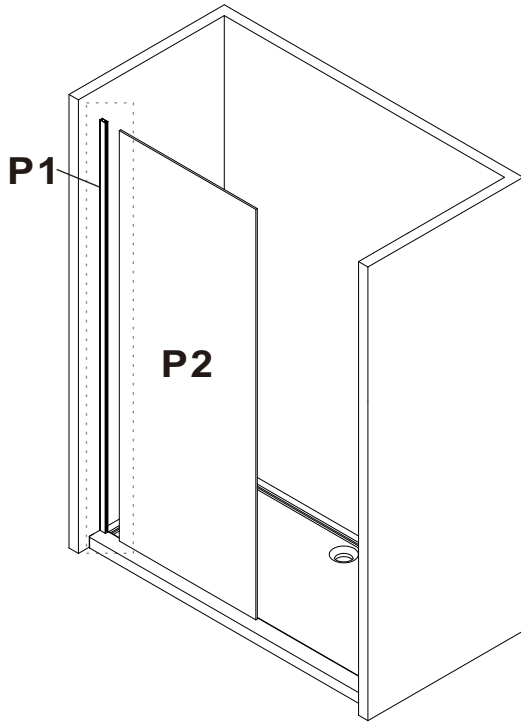
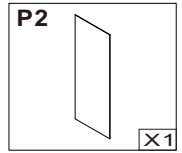


Wall Profile Installation 2



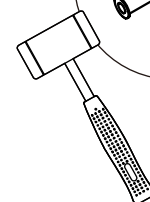
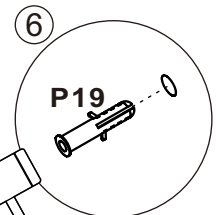
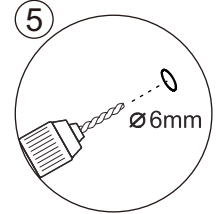
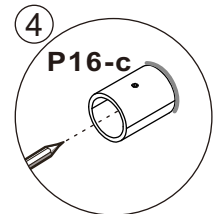
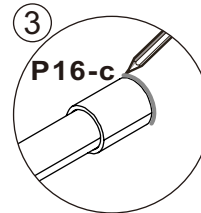
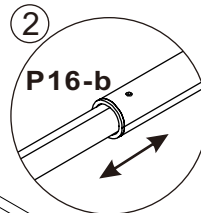
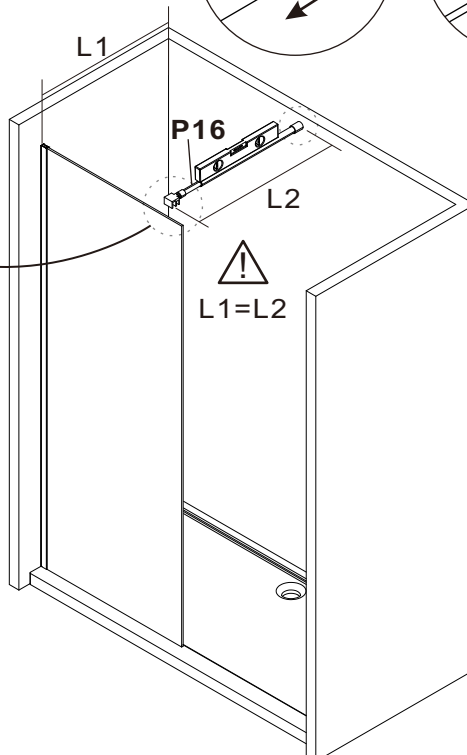
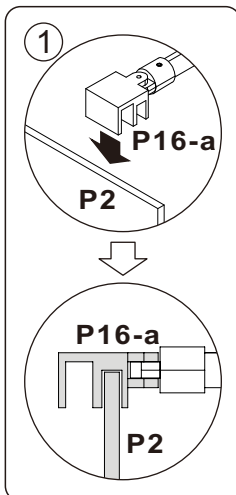
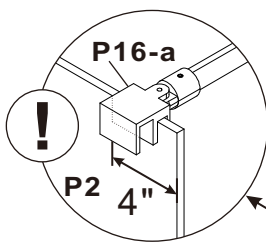


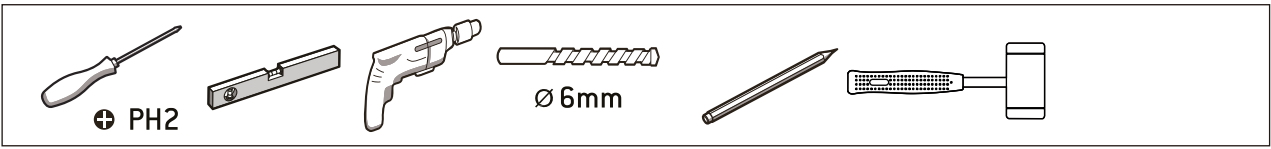
3 Fixed Glass Installation



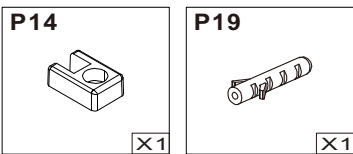
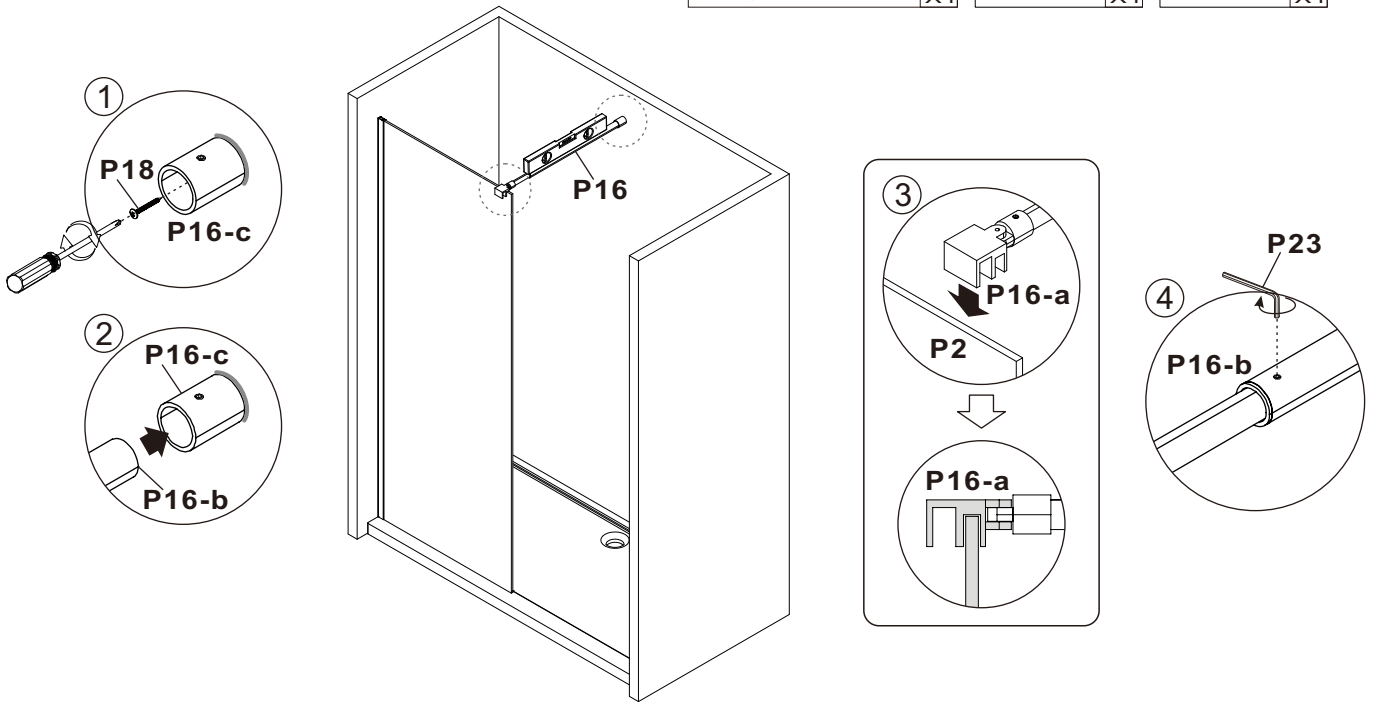
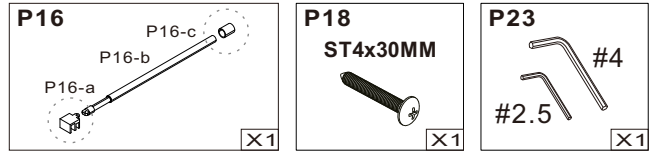
Support Bar Installation 4

Note: the support bar shall be fixed less than 4" from the glass edge.

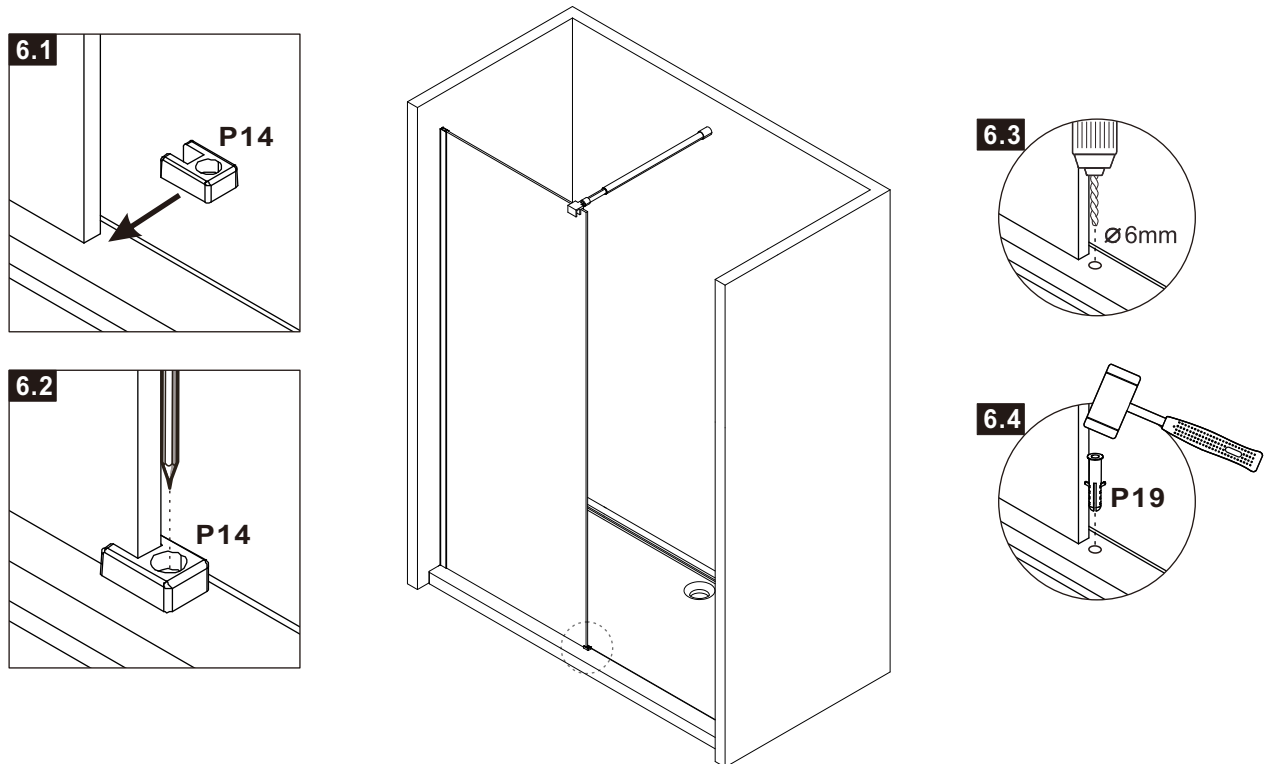


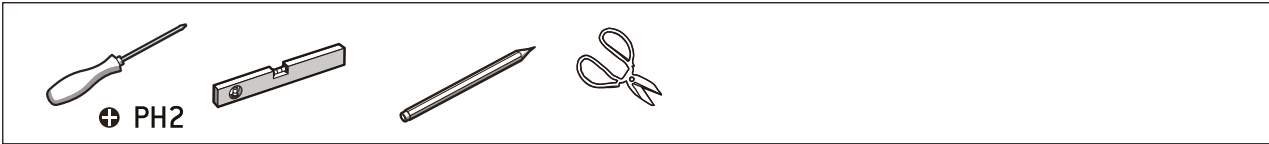


5 Support Bar Installation

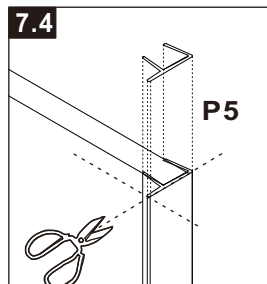
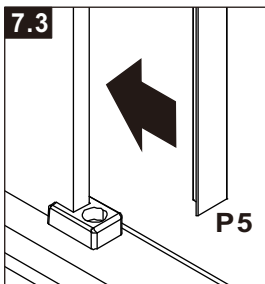
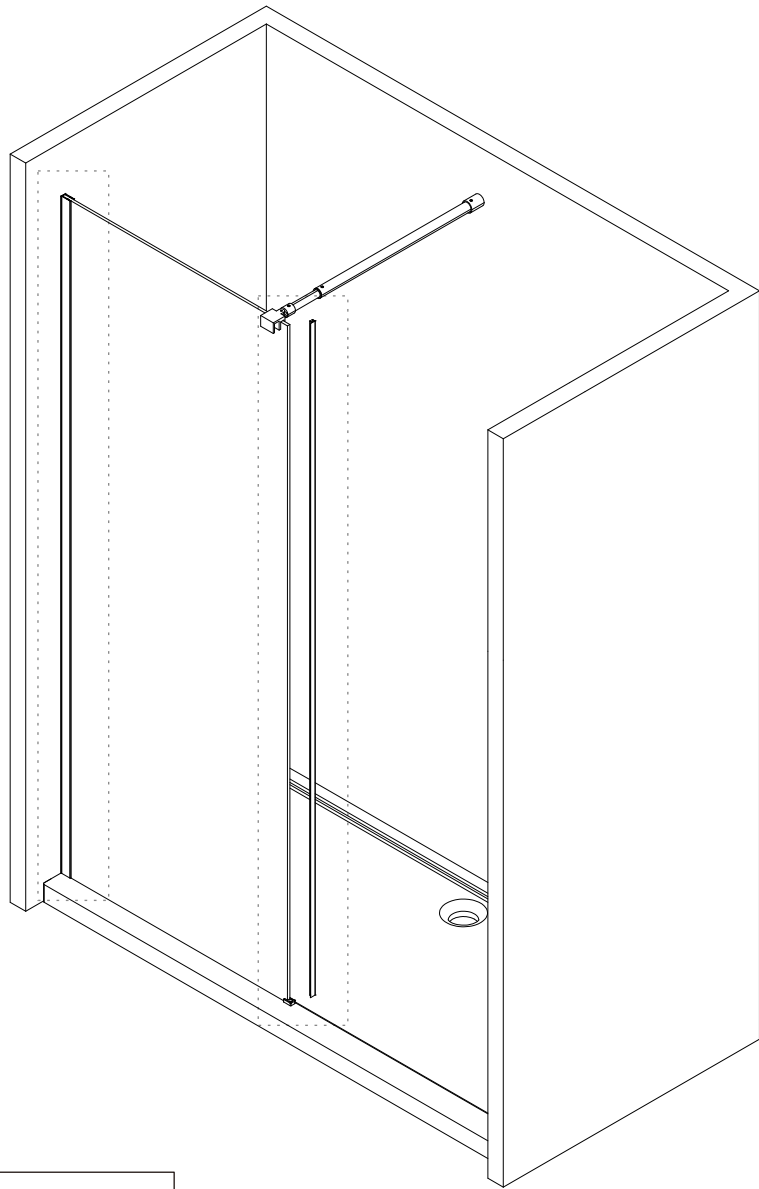
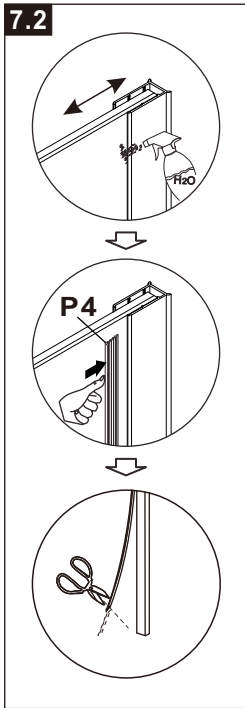
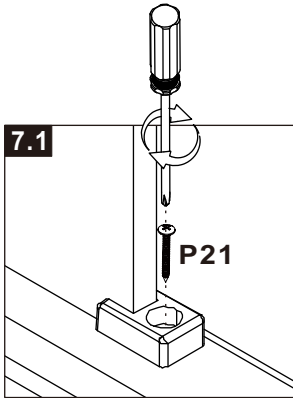
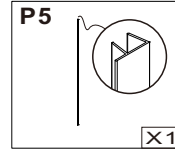
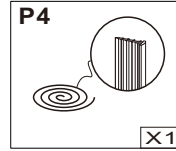


Bottom Fixture Installation 6





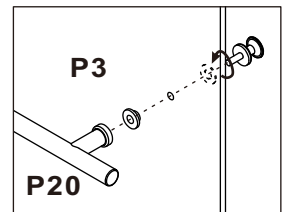
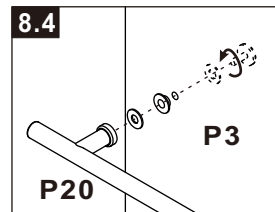
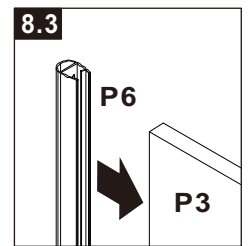
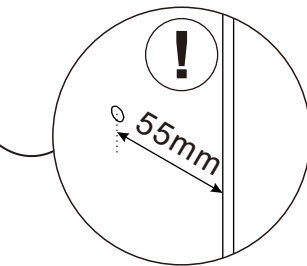
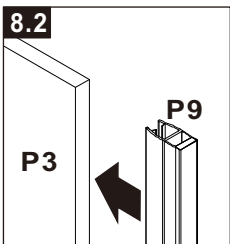
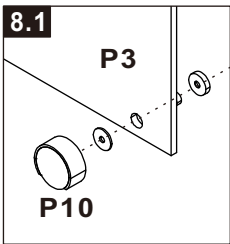
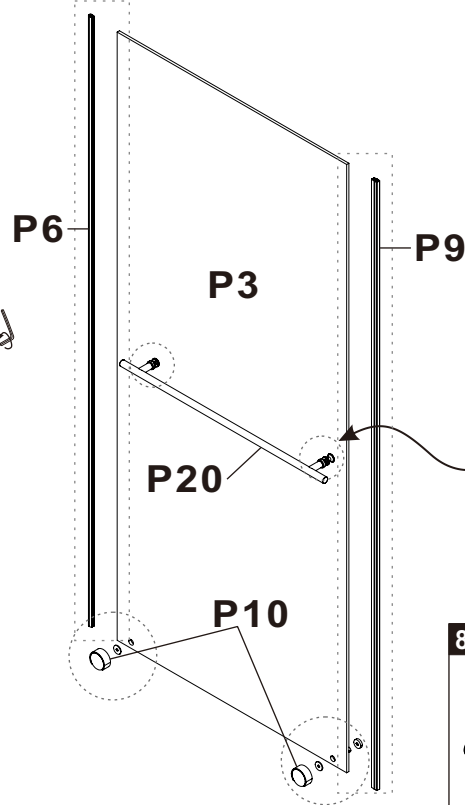
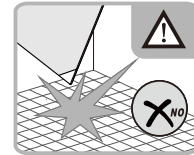
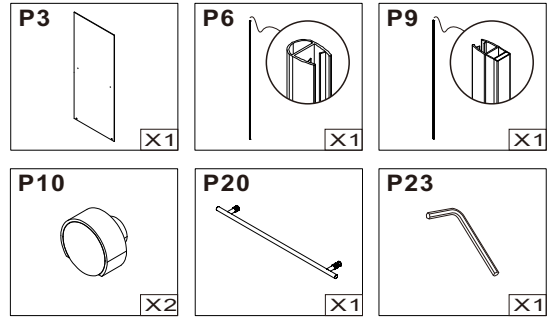
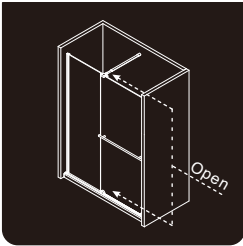
7 Strips Installation



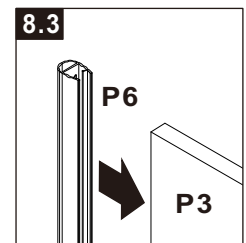
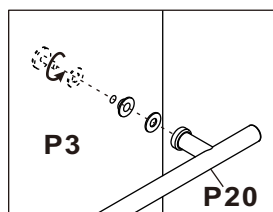
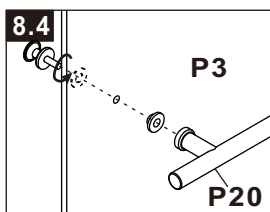
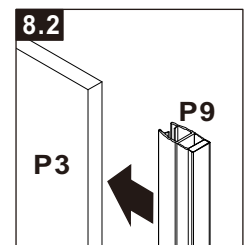
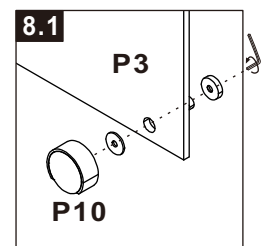
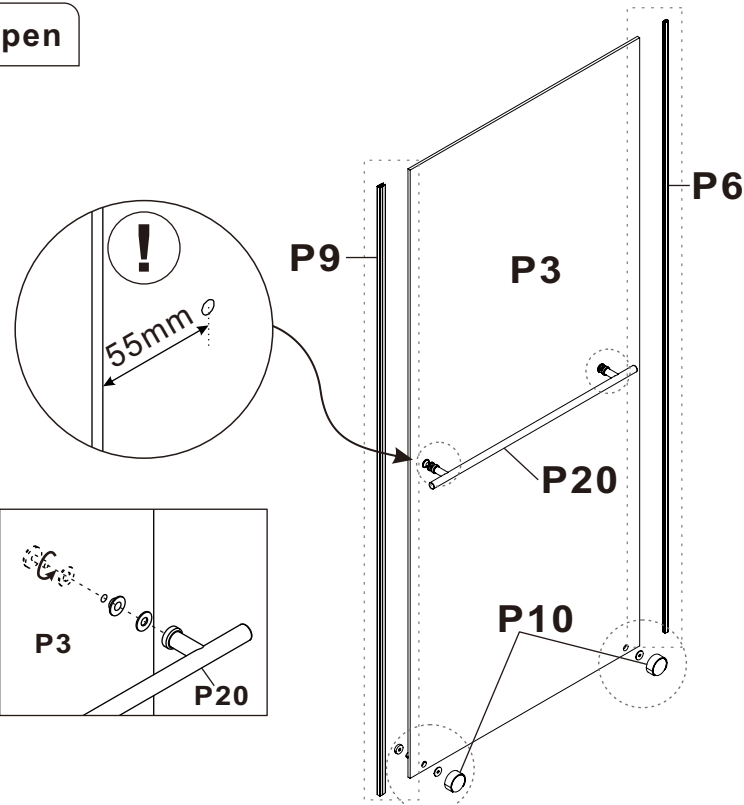
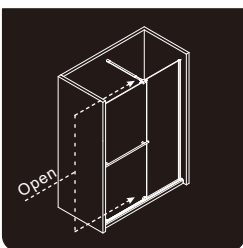


8 Sliding Door Assembly

! Leftward Open

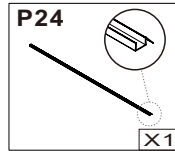


! Rightward Open

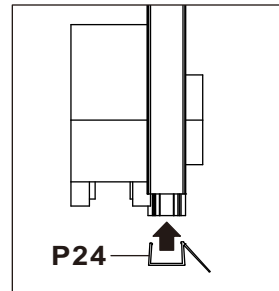
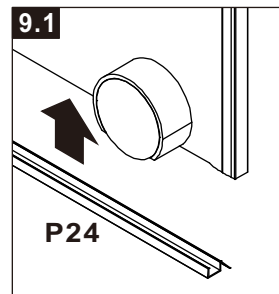
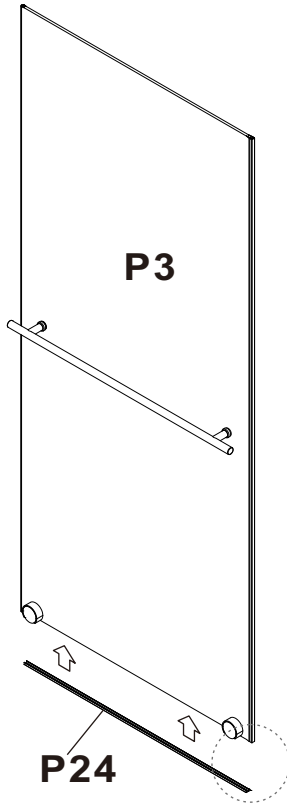
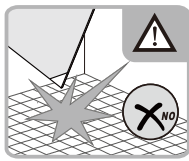
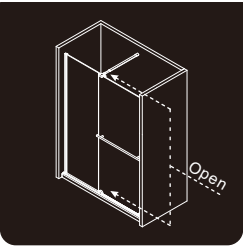




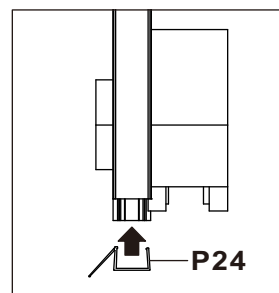
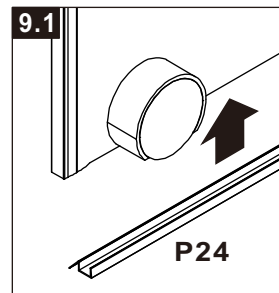
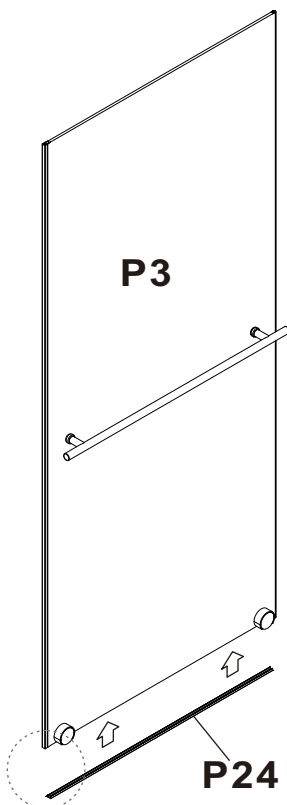
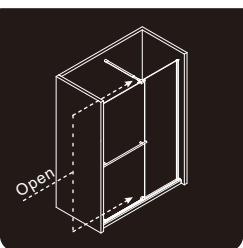
9 Bottom Seal Installation



! Leftward Open

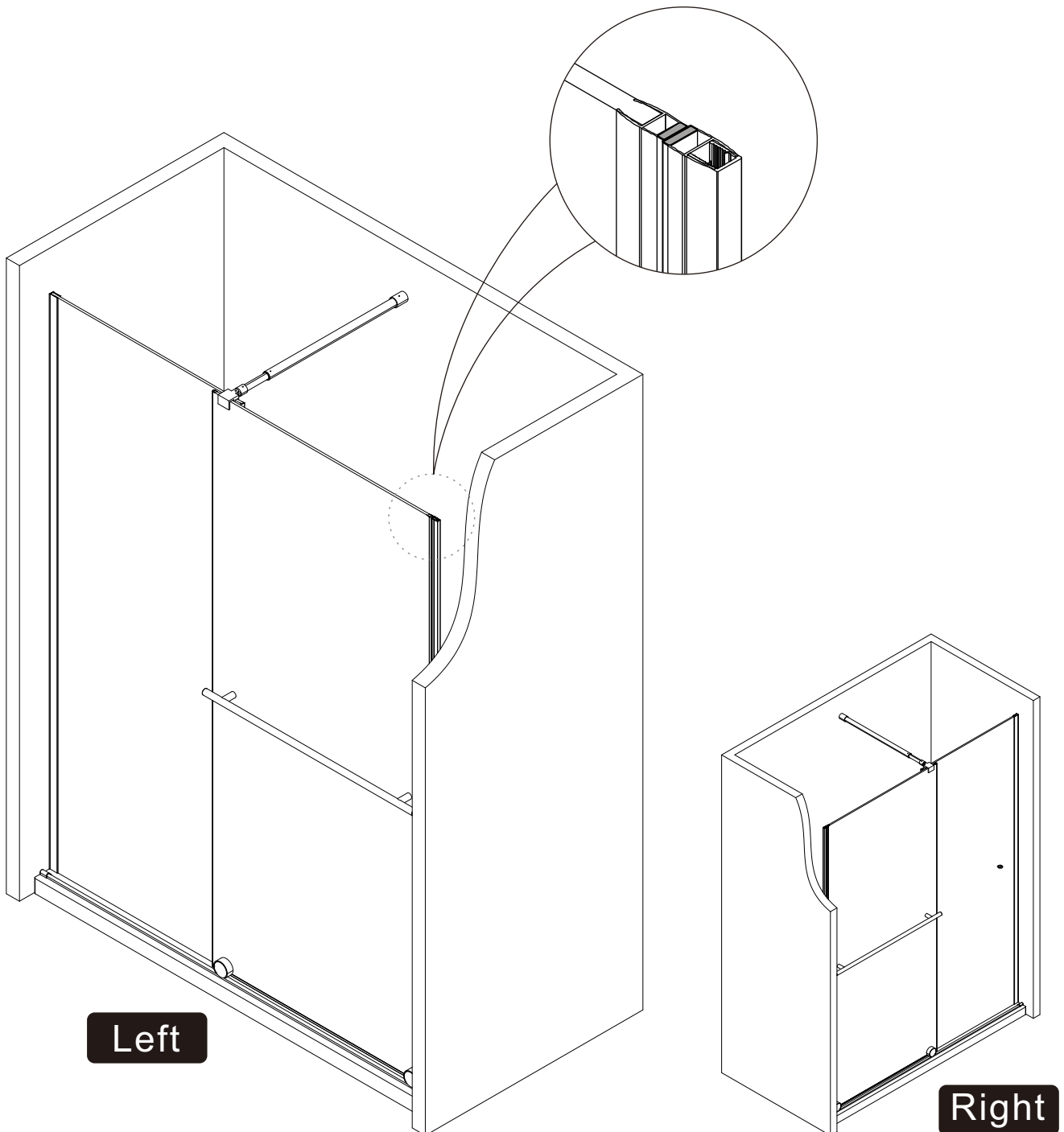


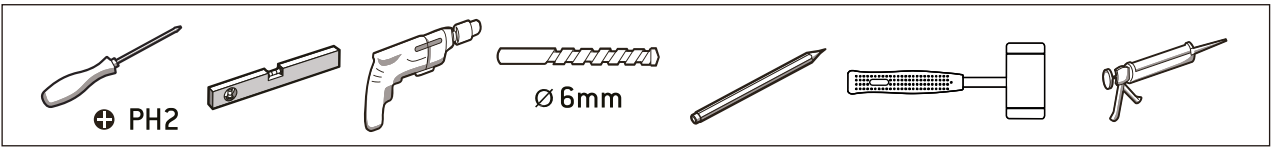
! Rightward Open



A

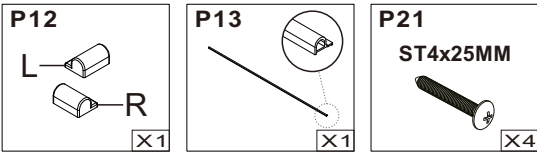
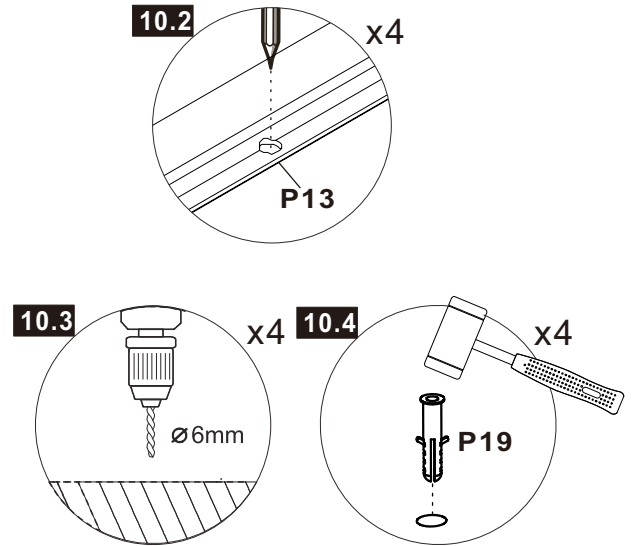
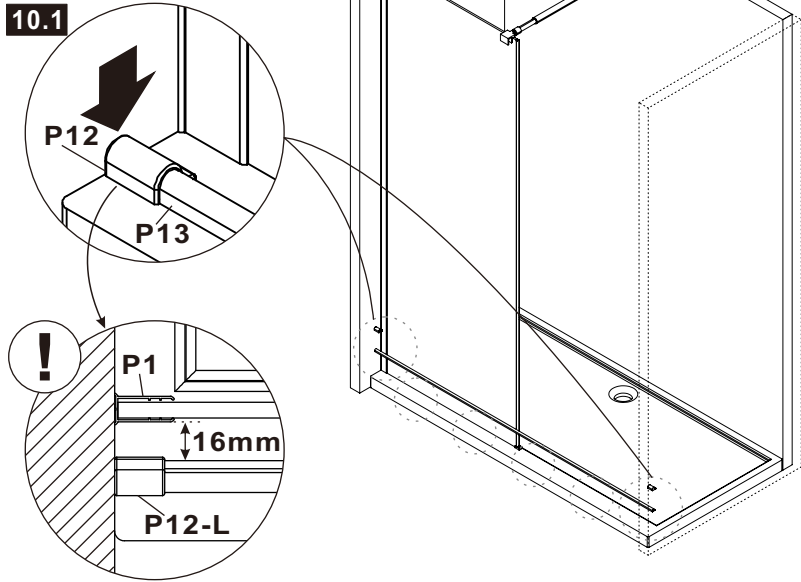
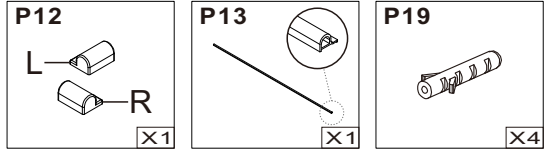
Option A:
For wall to wall installation,
shower sliding door





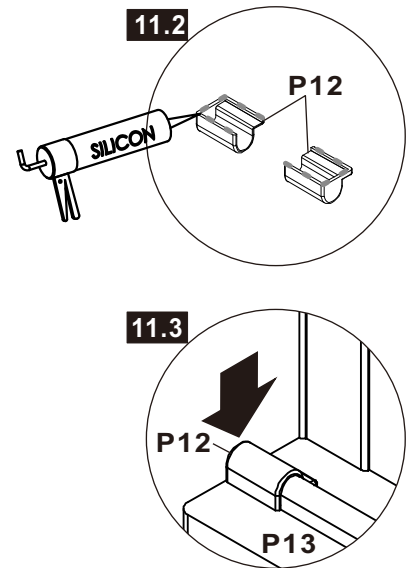
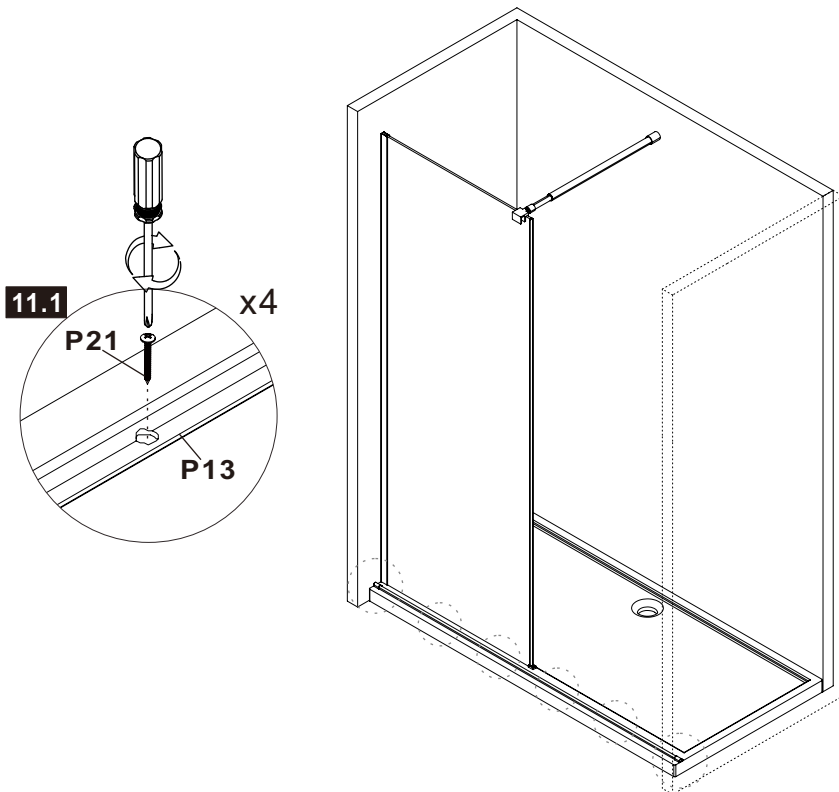
10 Door Threshold Installation

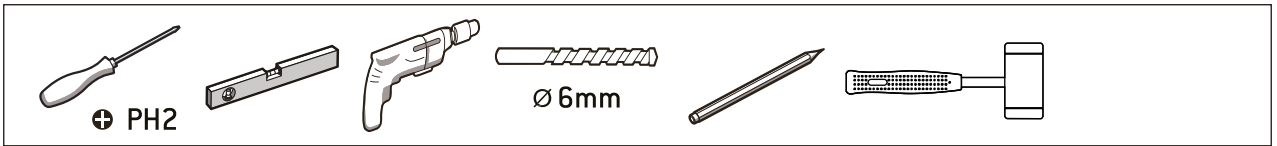
A



Door Threshold Installation 11

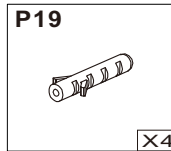
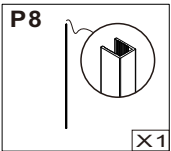
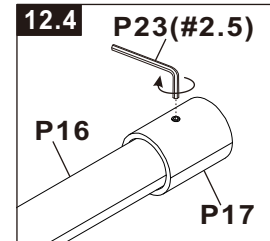
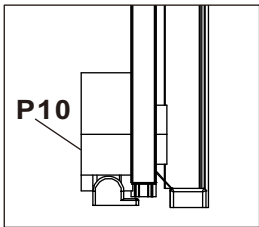
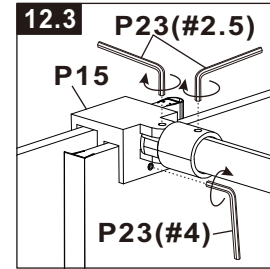
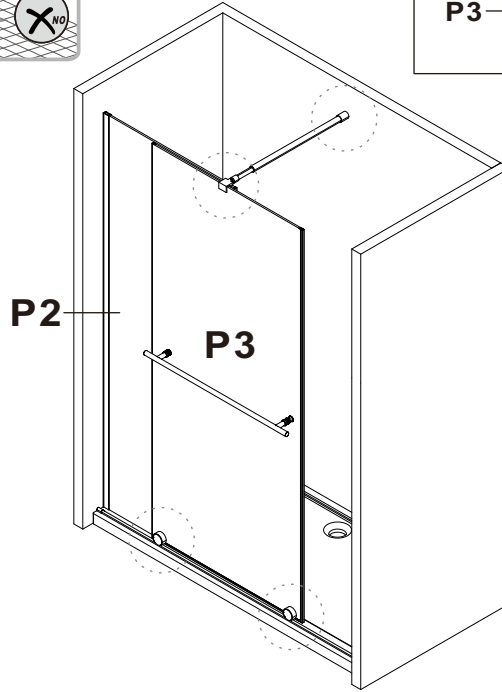
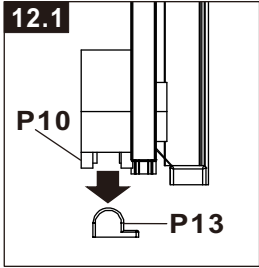
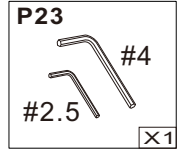
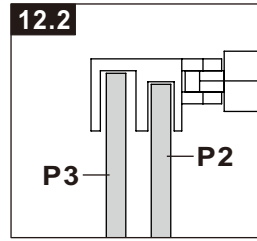
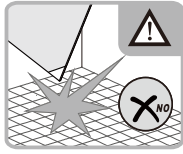
A





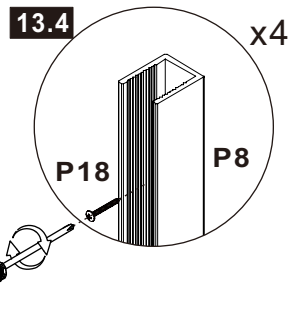
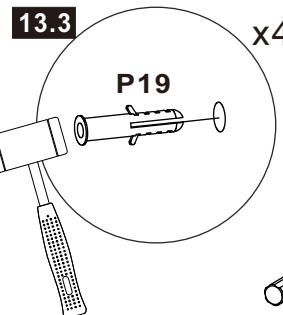
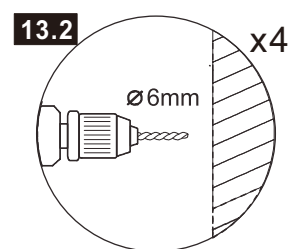
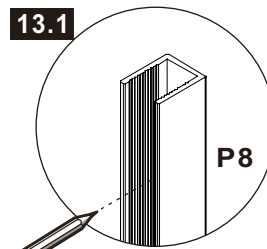
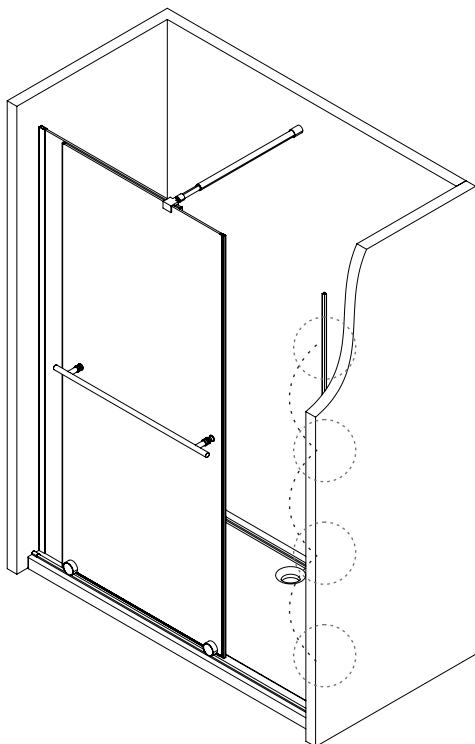
12 Sliding Door Installation

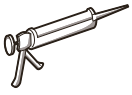
A



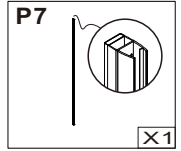
Wall Profile Installation 13

A

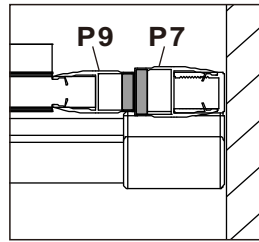
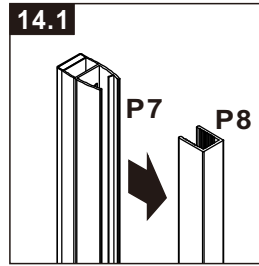
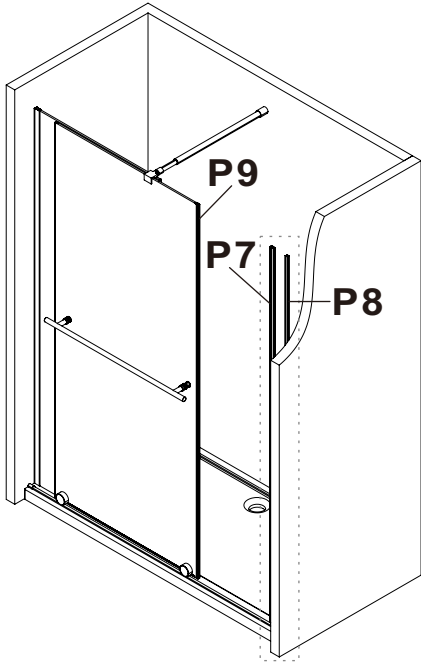





14 Wall Profile Installation



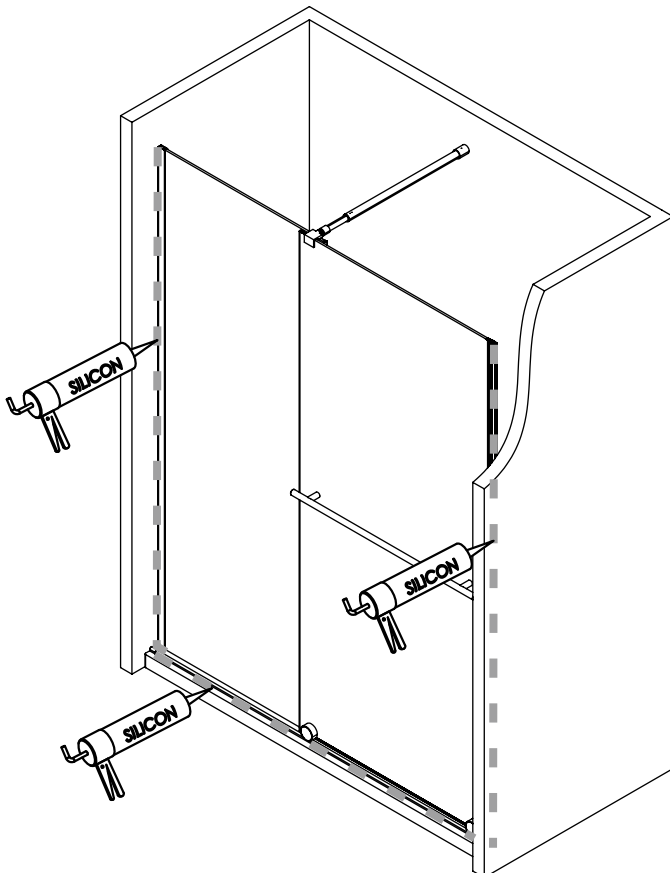
A



 Make sure that the two magnetic strips P7 and P9 can fit tightly.

15

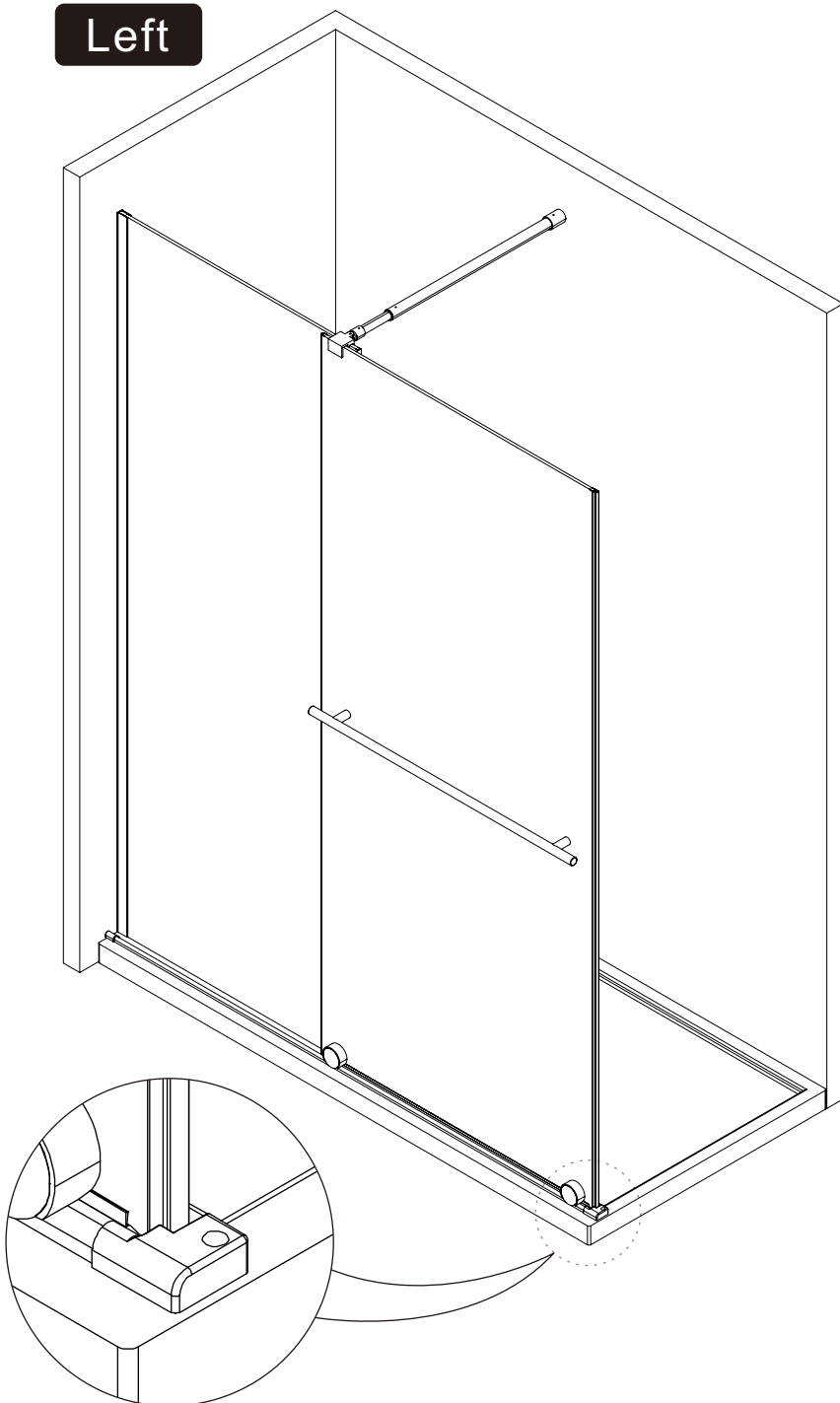
A



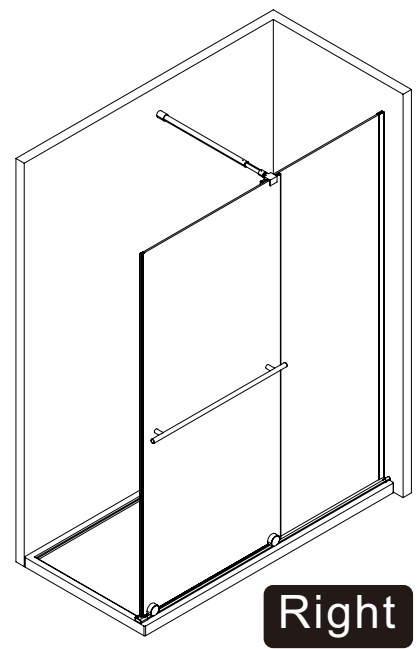
B

Option B:
For 1-side wall shower walk-in
wetroom

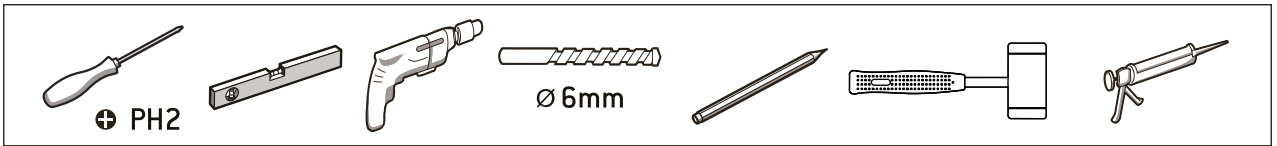
Left



Option B:
For single wall
installation-Walk-in
Shower Screen Door

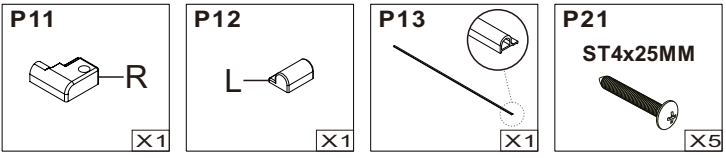
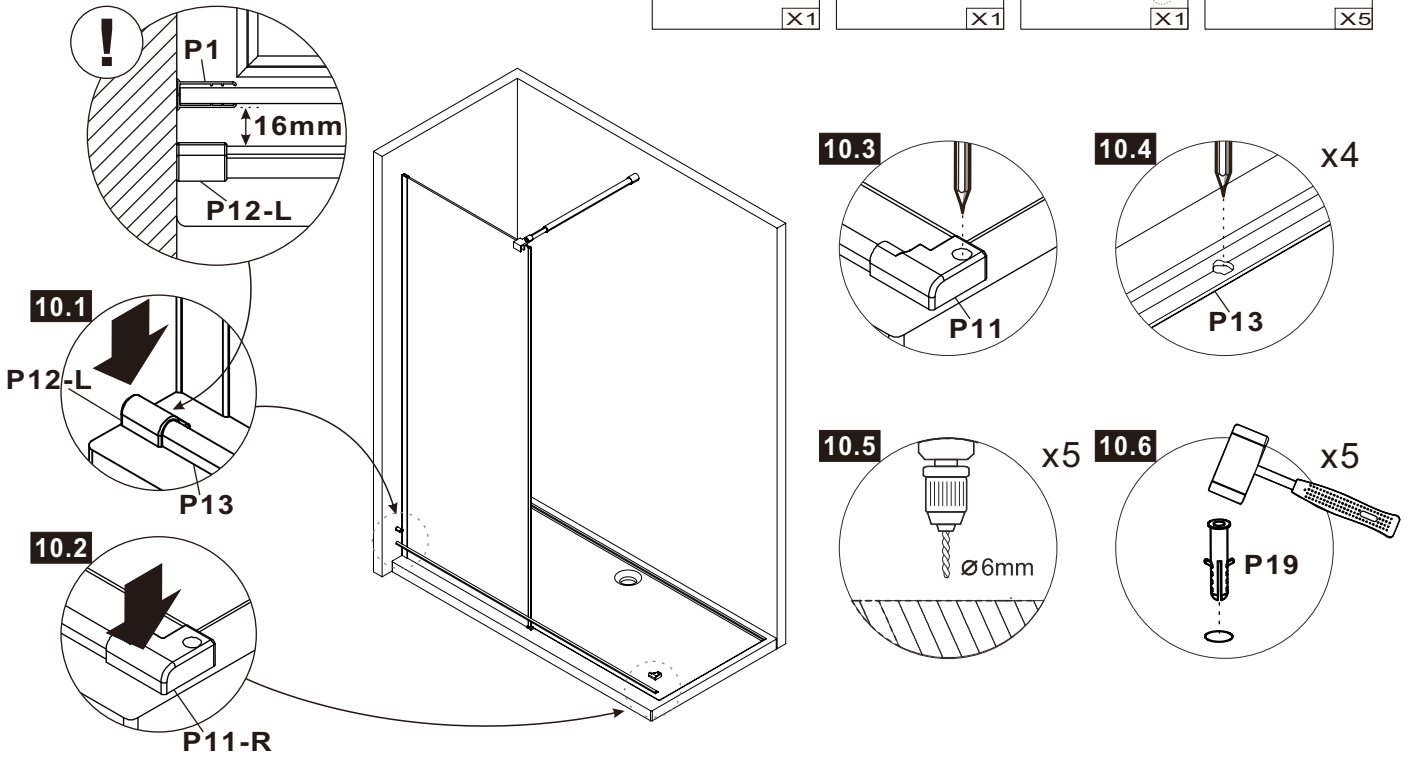
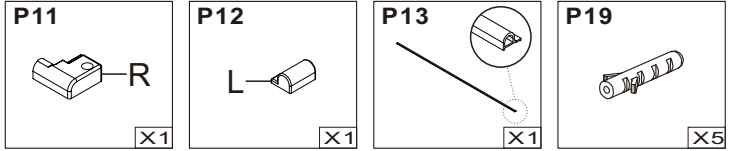


Right



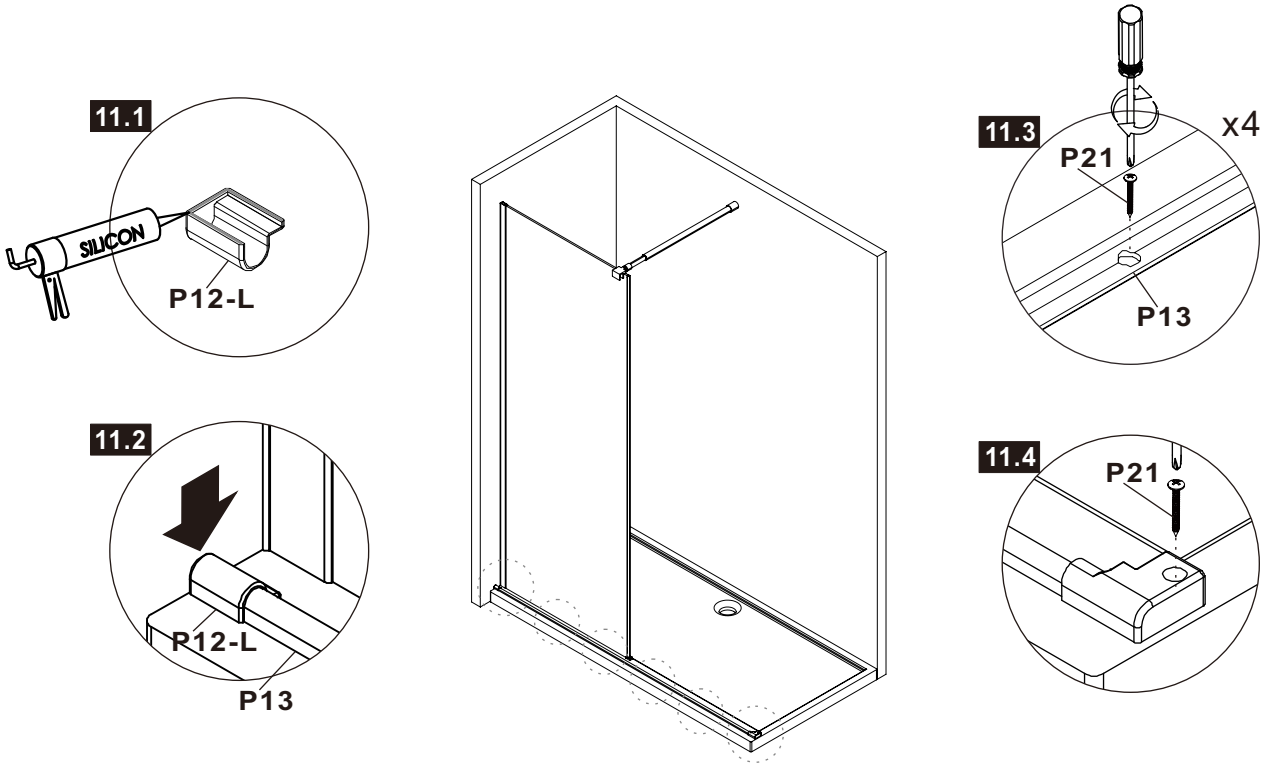
10 Door Threshold Installation

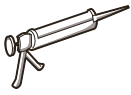
B



11 Door Threshold Installation

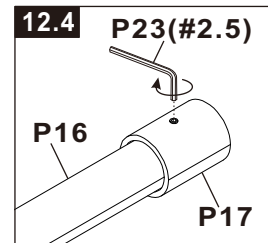
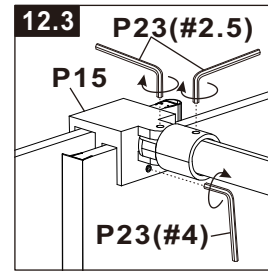
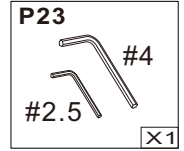
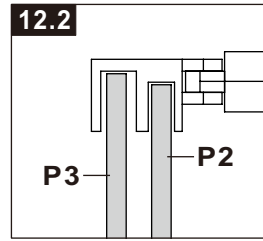
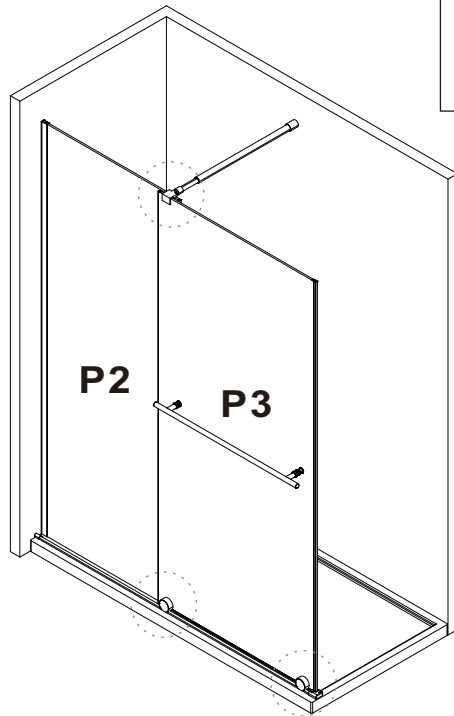
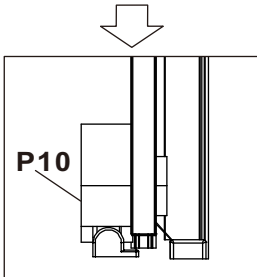
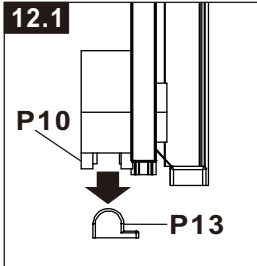
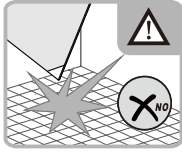
B





12 Sliding Door Installation

B



13

B

