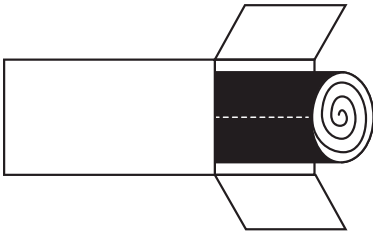


Memory Foam Mattress Topper

INSTRUCTIONS

STEP 1



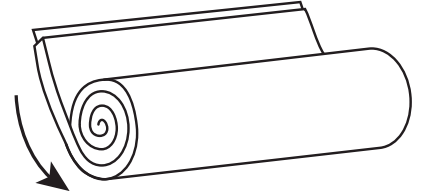
Move mattress topper to your desired room location. Lay box on its side. Clear an area on the floor large enough to allow the topper to lay flat.

STEP 2



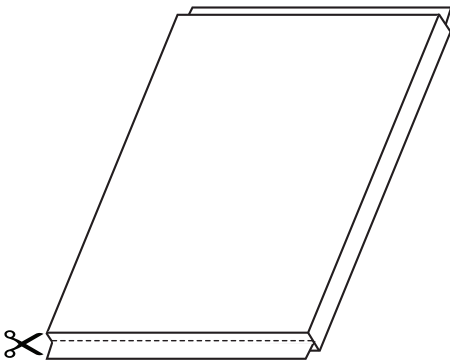
Remove bagged foam sheet and carefully cut the outside PE bag on the red line making sure you do not cut into the inner plastic wrap.

STEP 3



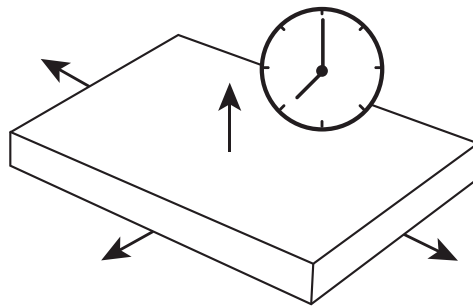
Completely unroll the compressed mattress topper onto a clean flat surface.

STEP 4



Cut open a small section of the plastic in one corner. The topper will inflate to full size and can be removed.

STEP 5



Your mattress topper is now ready to use. Please allow 48 - 72 hours for complete expansion.

Quality products and first-class customer service are the cornerstone of long-lasting consumer relationships. We strive toward excellence in all we do and want you to be completely satisfied with your purchase.

Please contact our exceptional Customer Experience Agents at the email address or phone number shown below to assist you with any product questions or issues before requesting a return.

We look forward to serving you in a friendly, efficient manner to resolve any issues you may have.

- * Your mattress topper has been compressed for easy and efficient delivery and setup. We know you are excited to put it to use!
- * Please unwrap it carefully, as your topper is eager to get out of this small box. And, give your mattress topper time to decompress. It just needs a moment to relax and recharge itself into an optimal position.
- * Lastly, it is natural to sense a subtle odor once unpackaged, so no hard feelings. This too shall pass and you both will be like peas in a pod in no time.



Congratulations!

You just purchased a piece of happiness. We believe you can transform your spaces into the most inspired places with furnishings that are the perfect combination of form, function and style. As original innovators of online furniture retail, we offer the best selection of popular, contemporary styles at cool, comfortable prices. And, with decades of proven shipping and packaging expertise, our Extended Quality Checklist ensures a rewarding, hassle-free experience time and time again. It's just what you need to bring your vision to life.

Thank you & Enjoy!!



LIKE IT!

*Share it on social
& Tell a friend!
#Spaces2Places*



LOVE IT!

*Write an online
product review
where purchased*



NOT SURE?

*Let us help!
Contact our
customer support.*



We pride ourselves on providing an excellent customer experience starting right here with your package and instructions. Everything you need should be right where you need it, so you can get to enjoying your new item ASAP. But despite our best efforts, sometimes "slips happen." If you need any support, from replacement parts to recommendations,

GROUP PRODUCT



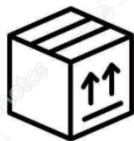
Quality &
Durability Tested



Packaged
with Care



Shipped from
our U.S. Facility



Designed
for Easy
Assembly



Ethically
Sourced

Read this manual before using this product. Failure to follow the instructions and safety precautions in this manual can result in serious injury or death. Keep this manual in a safe location for future reference.

Quality and Safety Guidelines:

- Please follow the static and dynamic weight capacity limits provided on this item. If you are unsure of the weight capacities for this product,
- To prevent risk of suffocation, ensure that plastic wrappings are kept out of reach of children and are disposed of in a timely manner.
- For maintenance instructions,
- Intended for indoor use only.
- This product is intended for lying down. Do not stand or jump on this product.
- Use on top of a mattress only.
- Carefully follow assembly instructions and instructions for using this item.
- Please do not slide or drag the item when moving it.
- Not for children under 12 years old.
- For product longevity, product safety and product integrity, store indoors in a dry