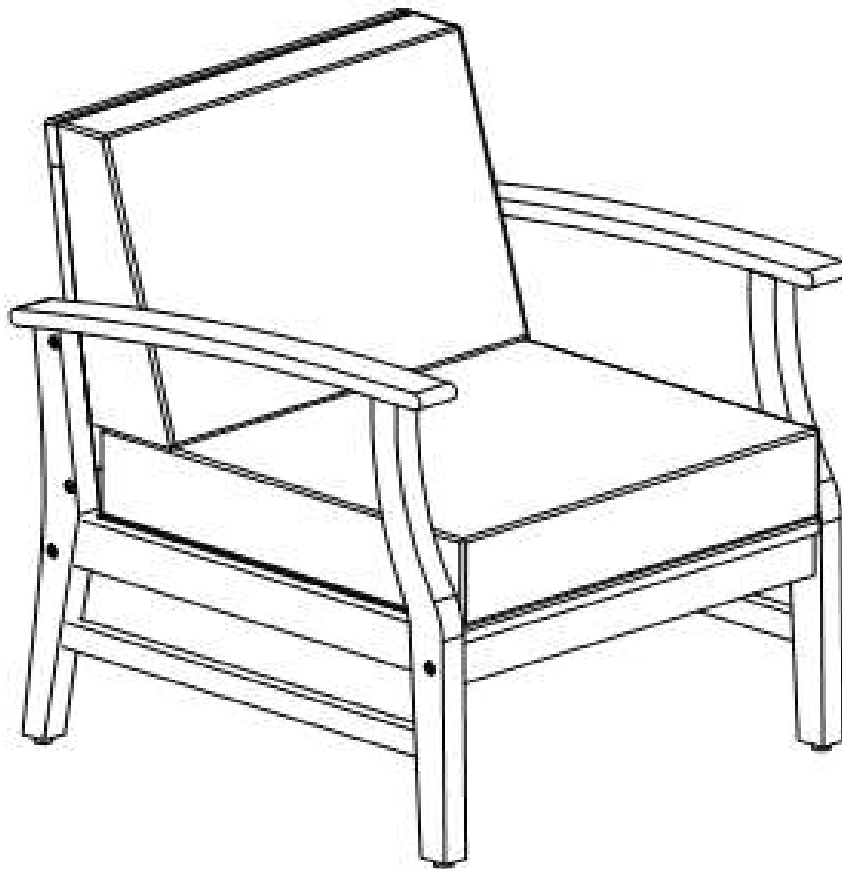


# Assembly Instructions

## CHAIR

CAUTION: You must read this before you proceed





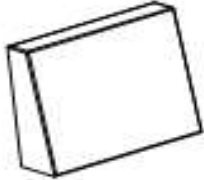
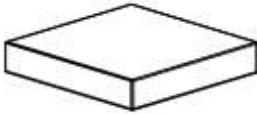


**CAUTION :** This Chair is NOT a TOY.



Keep your child / children at bay in the process of assembly.

For turning the Chair and to prevent damage to the Chair, 02 persons may be needed to execute this action

# Parts List

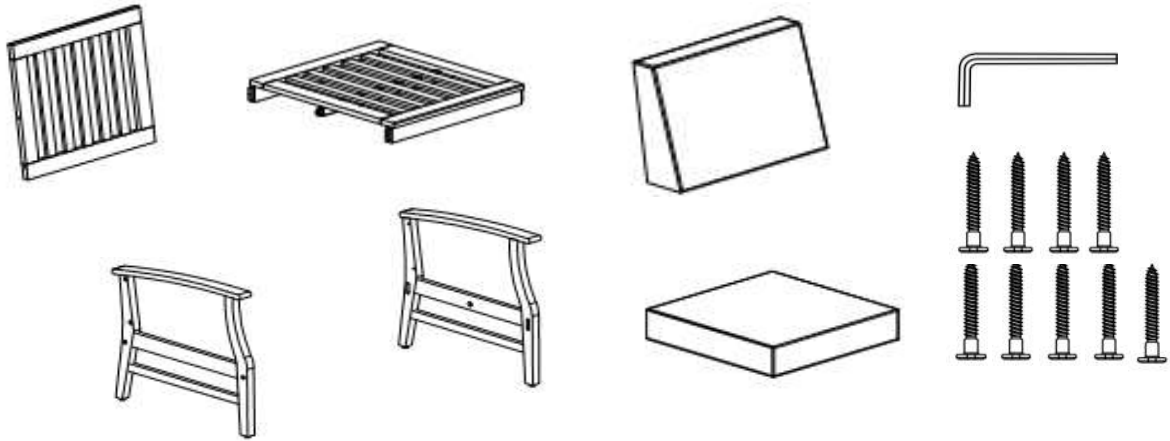
No.	Picture	Description	Qty
A		Backrest Panel	1
B1		Right Leg Panel	1
B2		Left Leg Panel	1
C		Seat Panel	1
D		Backrest Cushion	1
E		Seat Cushion	1

## Hardware

No.	Picture	Description	Qty
①		Allen Key	1
②		Screw (M6*35mm)	9

# Assembly Preparation

## Before Beginning Assembly:



- Read instructions, cover to cover-



- Have 2 adults on hand for assembly-



- Do not assemble on flooring or carpet-



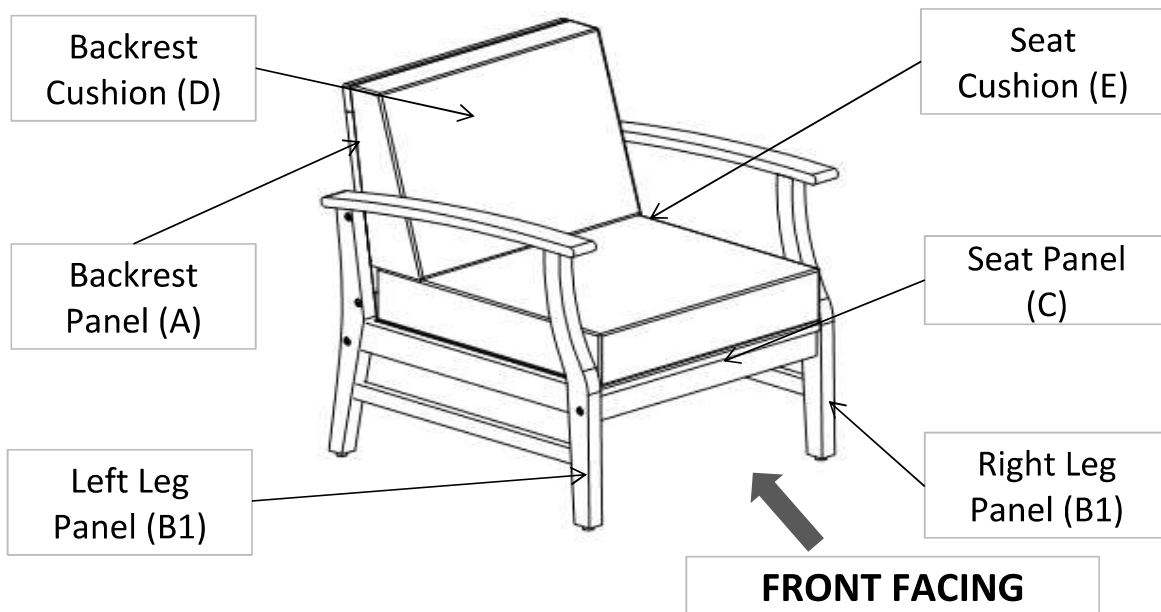
- Assemble on a clean non-marring surface (packing foam)-



- Save all packaging until finished-

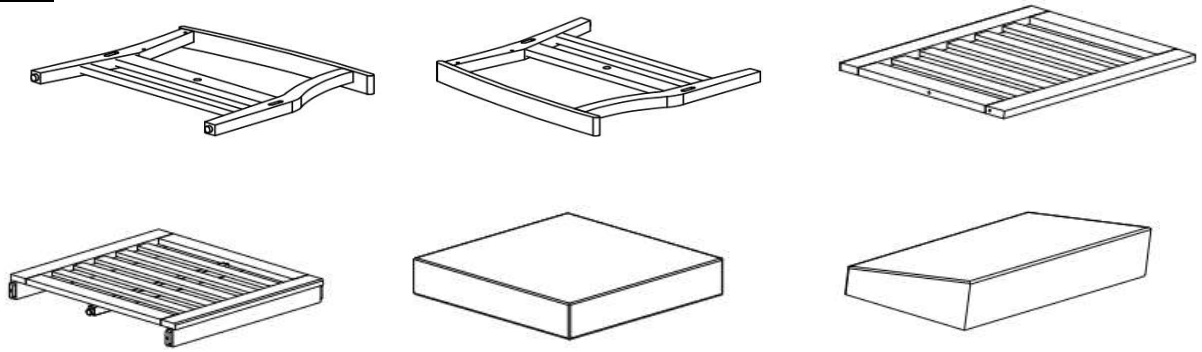
## Assembly Steps

### OVERVIEW



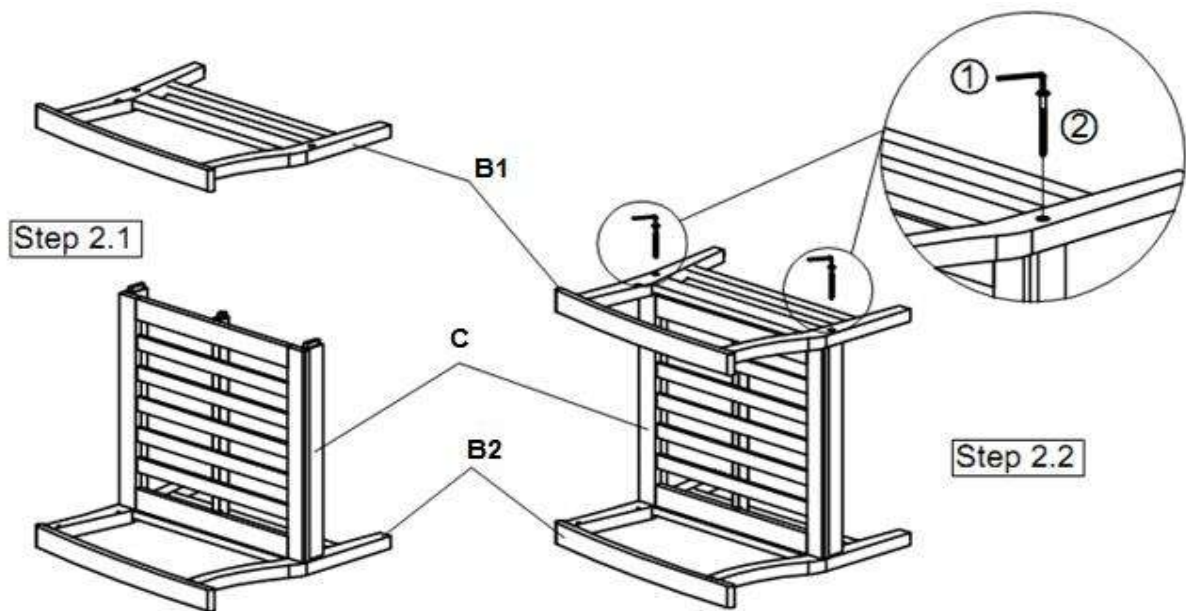
This Chair has multiple parts and may require up to some 30 minutes to assemble. To give you an overview of the Chair, the above picture to assemble to help you put the various parts into perspective. Please read through the instructions here below to familiarise the parts and steps before assembly.

## Step 1



Unpack and place all parts on a clean, non-marring surface.

## Step 2

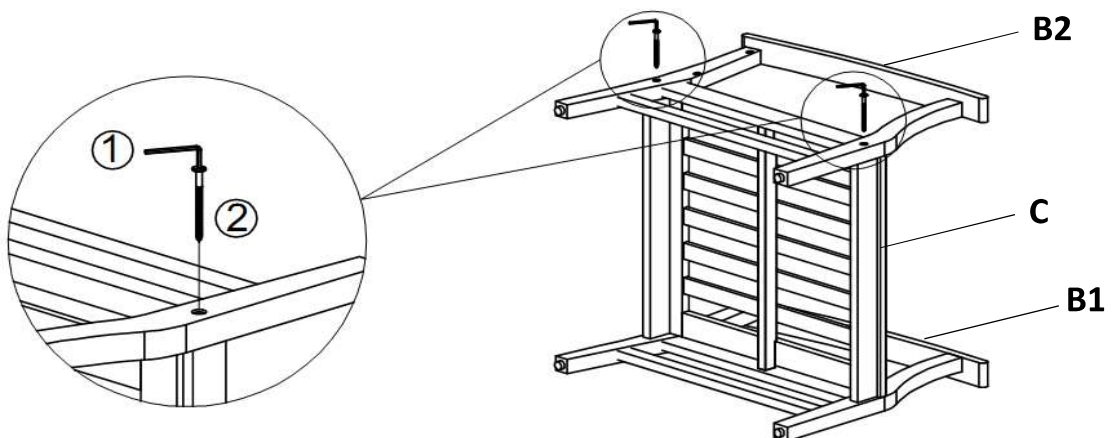


**2.1)** Position Left Leg Panel (B2) to Seat Panel (C) as shown in picture above.

**2.2)** Attach Right Leg Panel (B1) to Seat Panel (C), secure by using 2 Screws(②)+Allen Key(①)

**Do not fully tighten the Screws.**

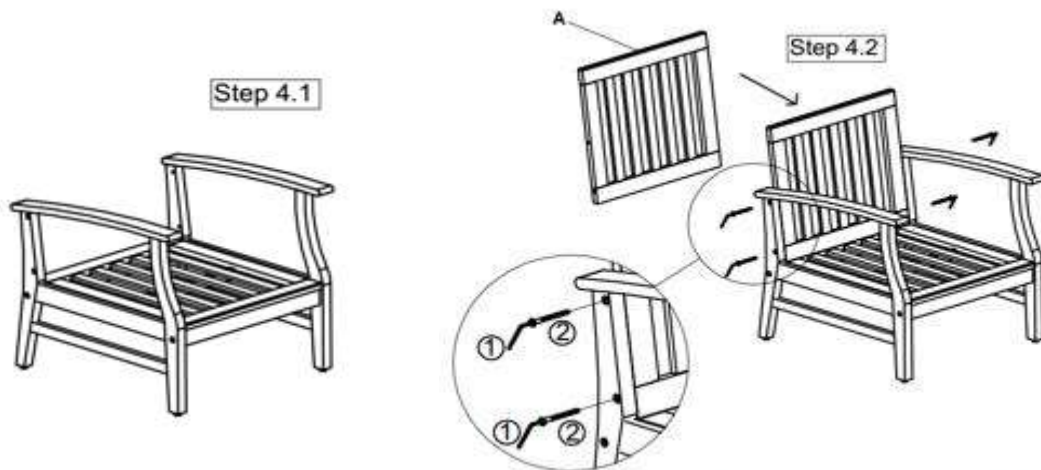
## Step 3



With assistance from your adult partners, turn the Chair into the other side. Repeat the same process of step 2.2 to secure Left Leg Panel (B2) with Seat Panel (C)

**Do not fully tighten the Screws.**

## Step 4

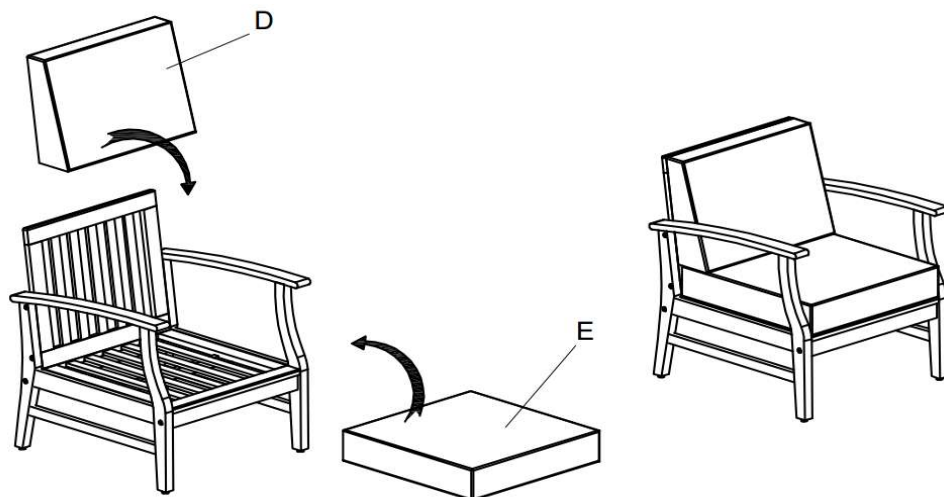


**4.1** With assistance from your adult partners, turn the chair in right side up

**4.2** Attach Backrest Panel (A) to Leg Panels by using 4 Screws(2) and Allen Key(1)

**Do not fully tighten the Screws.**

## Step 5

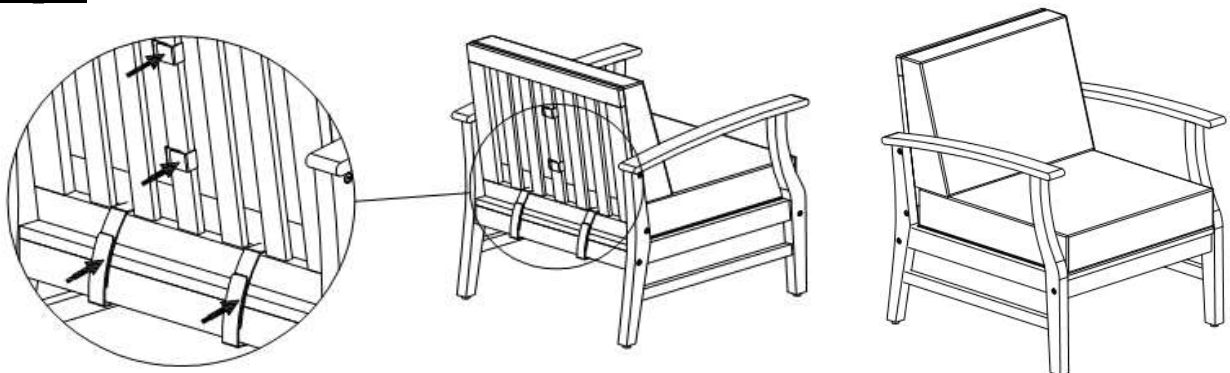


Inspect it and make sure all parts are adequately connected.

Ensure all screws are fully locked into position and secured.

Place Back Cushion (D) and Seat Cushion (E) on to the Chair










## Step 6



Lay down the Chair and tie the velcro straps of Back Cushion (D) to Backrest Panel (A) and Seat Cushion (E) to Seat Panel (C) and Backrest Panel (A) as shown above. Your Chair is ready for use.

**This Chair can only be used on a flat, level surface.**

## Care & Maintenance

-  Do not put hot items directly on furniture surface
-  Do not clean furniture with harsh cleansers or polish.
-  To obtain the longest lifespan of your outdoor products, minimizing exposure to direct sunlight is recommended.
-  Children should not climb or jump on the furniture.
-  Do not write on furniture without a padded barrier to protect the surface.
-  To obtain the longest lifespan of your outdoor products, avoid extended and lengthy exposure to rain, snow, and direct sunshine. Whenever possible cover the product and /or place under patio or awnings.
-  Not for commercial use. For residential use only .
-  Stains may be removed with mild soap solution and damp cloth.
-  Dust and pick-up spills using a clean, non-colored, lint-free cloth.