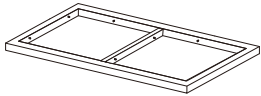

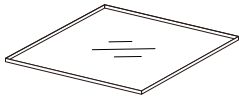


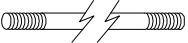
Product Assembling Instructions

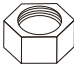
PARTS LIST


1		1pc
3		4pcs

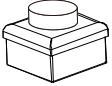
2		2pcs
---	---	------

HARDWARE LIST

A	X4
	$\phi 10 \times 660\text{mm}$

B	X8
	M10

C	X4
	M10

D	X4
	

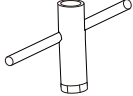
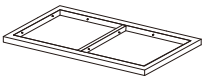
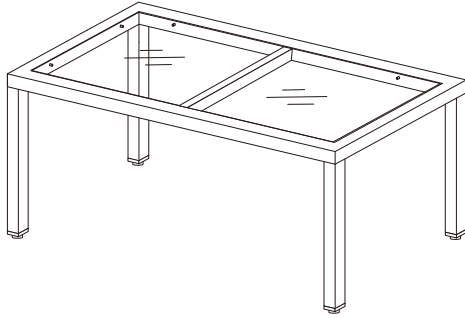
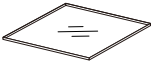
E	X1
	

TABLE x 1PC



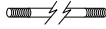
① x 1



② x 2



③ x 4



A x 4



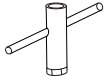
B x 8



C x 4

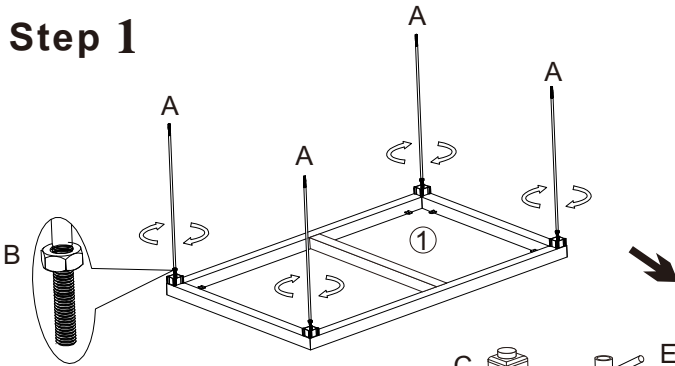


D x 4

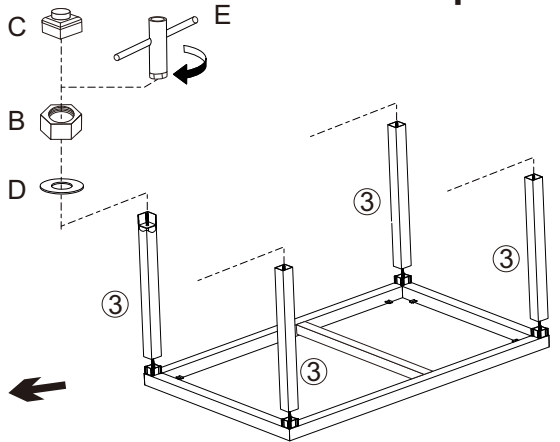


E x 1

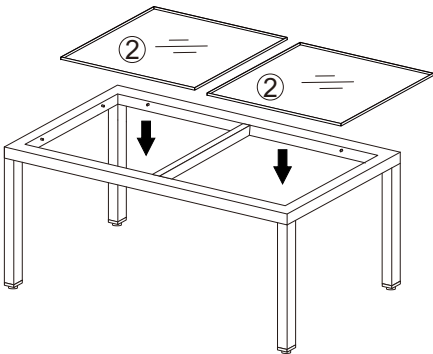
Step 1



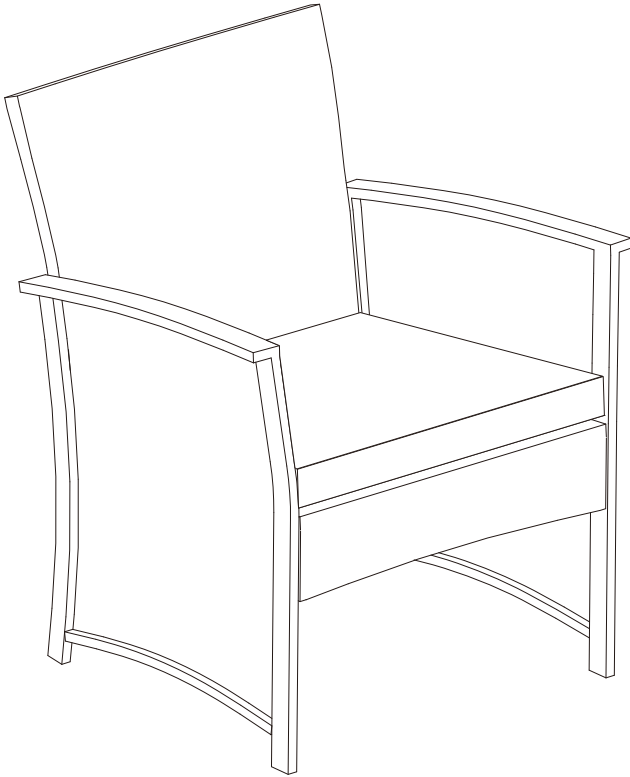
Step 2



Step 3

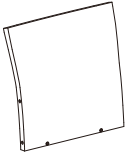
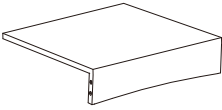
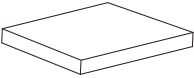




Warning: Our products can be used between 14 degrees to 122 degrees. If used for more than 12 hours outside this temperature range, the rattan will harden or break.



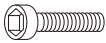
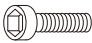

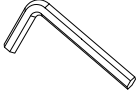
Product Assembling Instructions

PARTS LIST

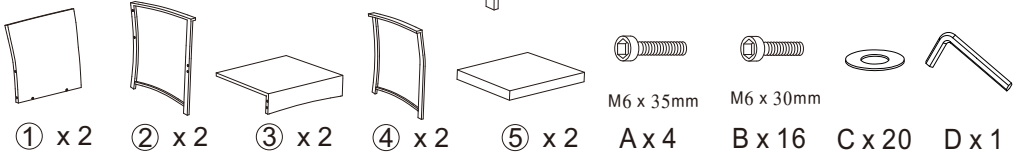
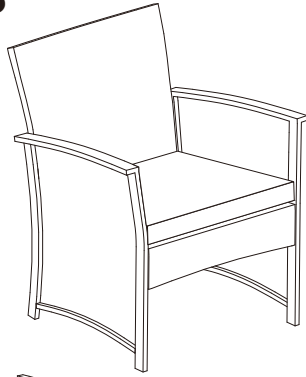
1		2pcs
3		2pcs
4		2pcs

2		2pcs
4		2pcs

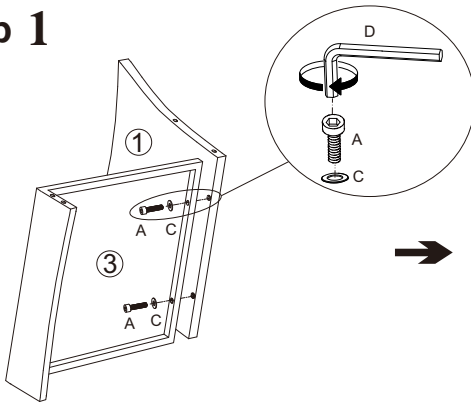
HARDWARE LIST

A	X4	B	X16	C	X20	D	X1
							
M6 x 35mm		M6 x 30mm					

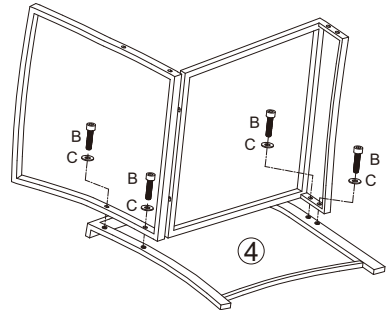
SOFA x 2PCS



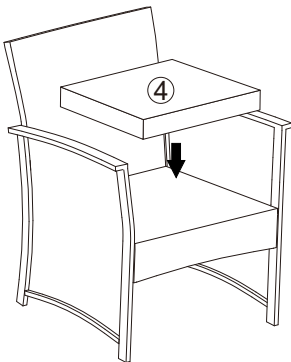
Step 1



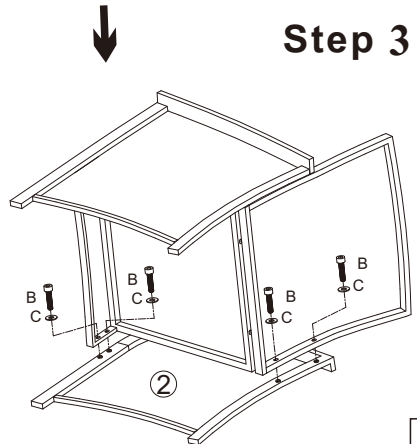
Step 2



Step 4



Step 3



Warning: Our products can be used between 14 degrees to 122 degrees. If used for more than 12 hours outside this temperature range, the rattan will harden or break.